

OKI electronic components

KGF2511

Midium Power Amplifier for UHF band

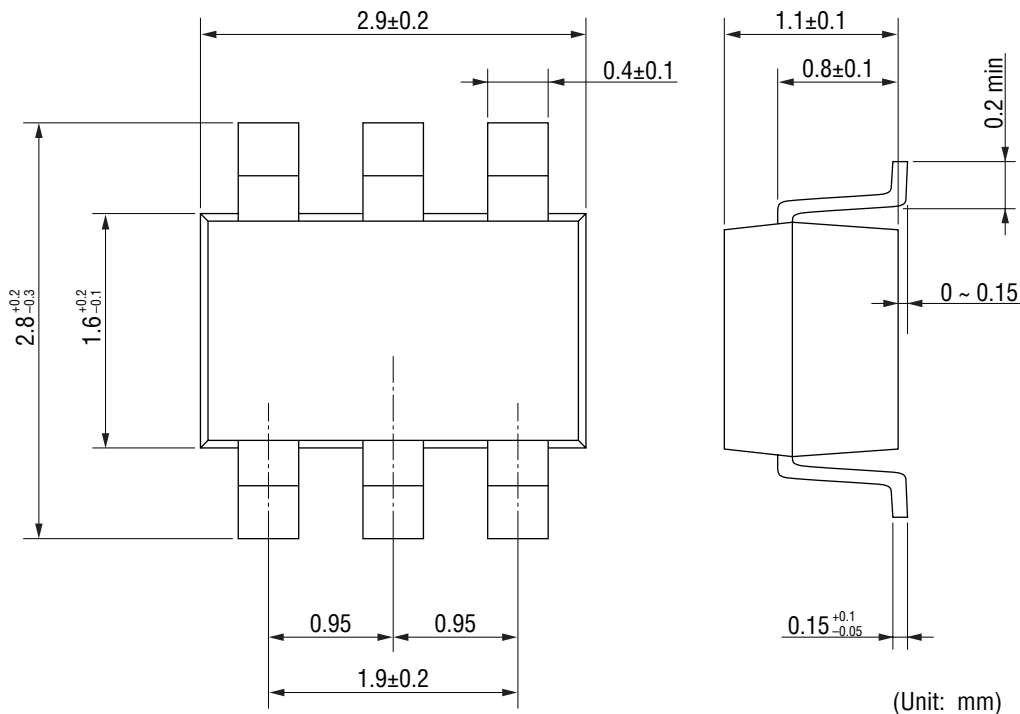
GENERAL DESCRIPTION

The KGF2511 is a midium power amplifier for UHF band that features high output power, high linear gain, low distortion and low-current dissipation. The KGF2511 has specifications guaranteed by fixed matching circuit of 2.8V and 900MHz band, although external impedance matching circuits are required. Because of the high output power and low distortion at the low operating current, the KGF2511 is ideal as a transmitter driver stage amplifire for portable phones such as PDC and CDMA.

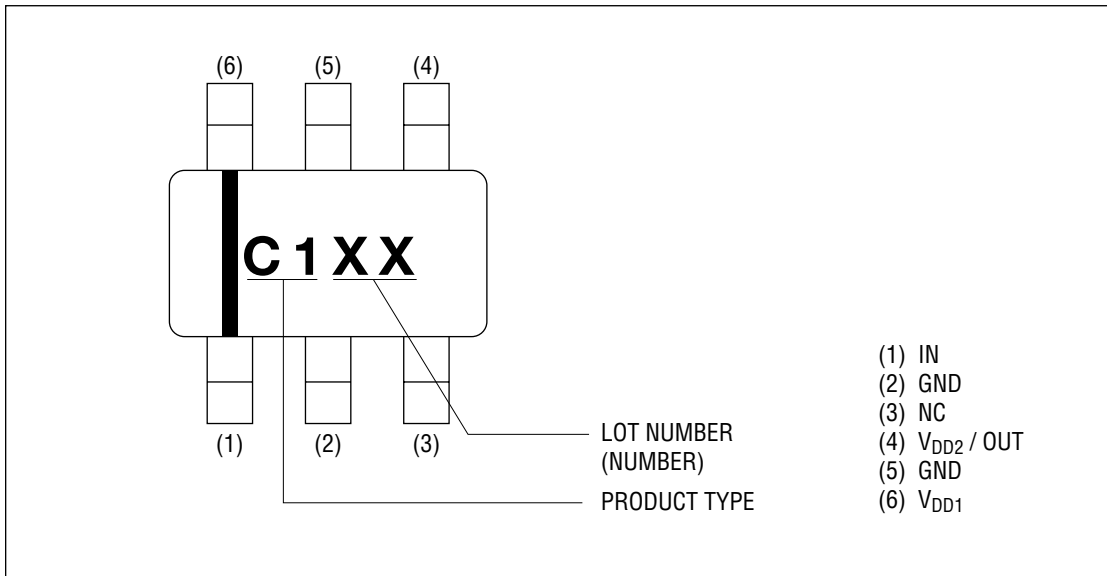
FEATURES

- High output power: 8dBm (min)
- High linear gain: 27dB (min)
- Low distortion (ACP): -55dBc (max) @ $P_O=8\text{dBm}$, $\pi/4\text{DQPSK}$, $\pm 50\text{kHz}$
- Low voltage and Low current operation: 2.8V, 28mA (max)
- Self-bias circuit configuration with built-in source capacitor
- Surface mount 6-pin SOP plastic package

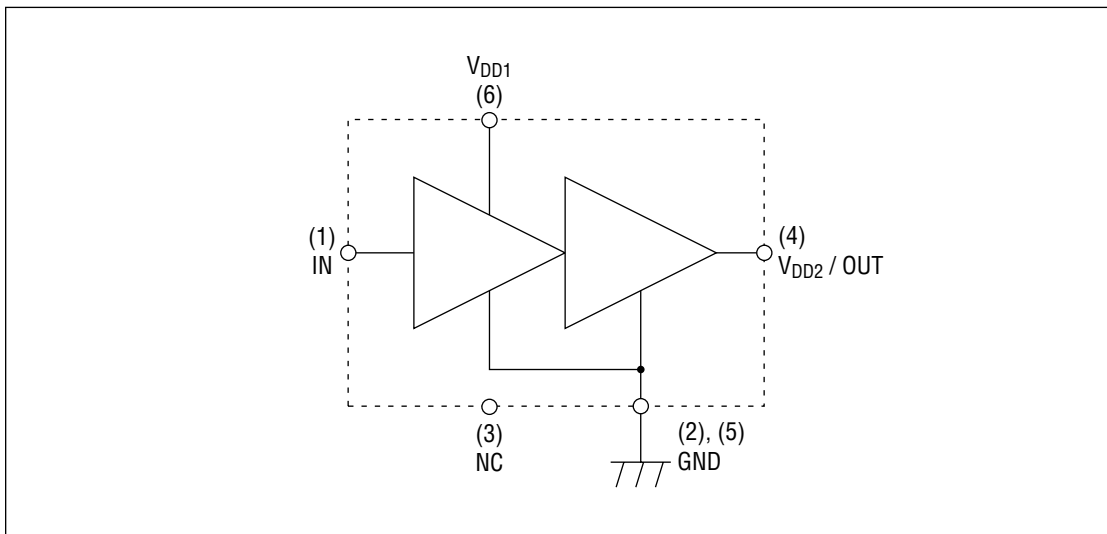
OUTLINE DIMENSIONS



MARKING



CIRCUIT



ABSOLUTE MAXIMUM RATINGS

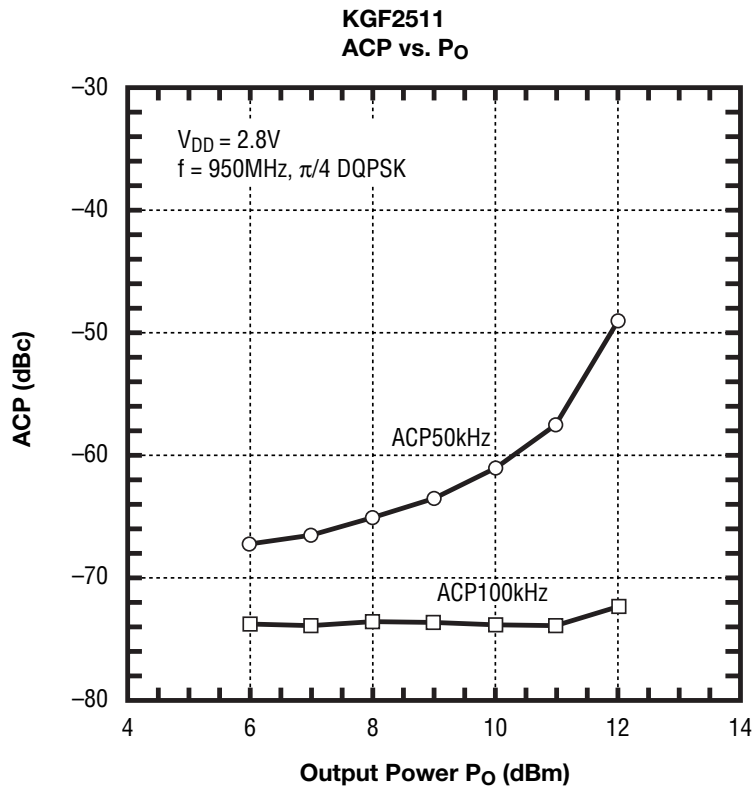
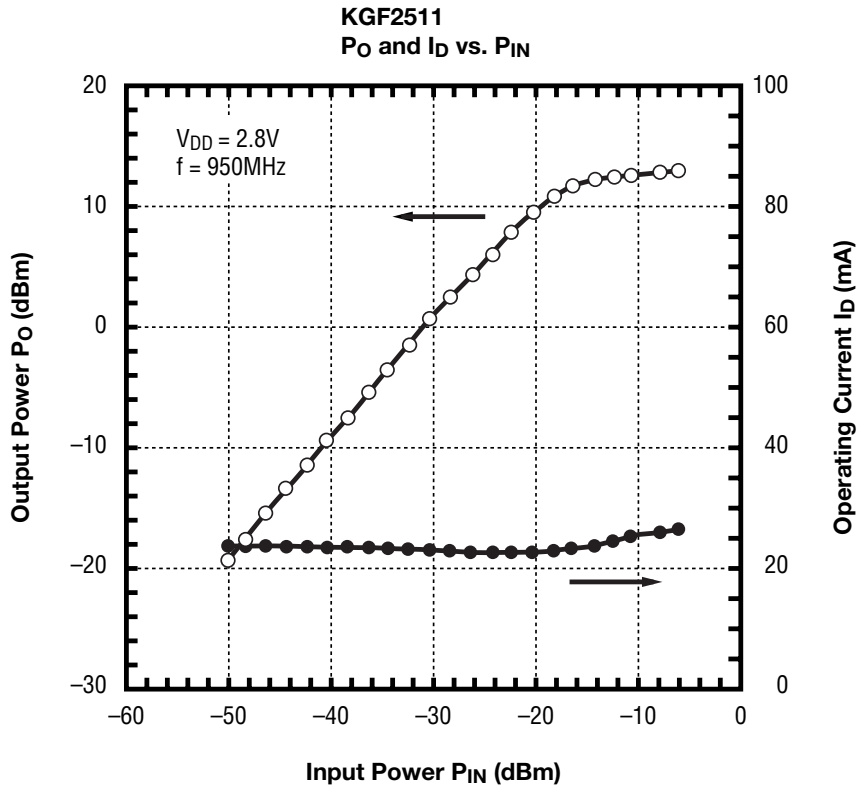
Item	Symbol	Conditions	Unit	Min.	Max.
Supply Voltage	V_{DD}	$T_a = 25^\circ\text{C}$	V	—	7
Total power dissipation	P_{TOT}	$T_a = 25^\circ\text{C}$	mW	—	300
Operating temperature	T_{OPE}	—	$^\circ\text{C}$	-35	+85
Storage temperature	T_{STG}	—	$^\circ\text{C}$	-45	+125

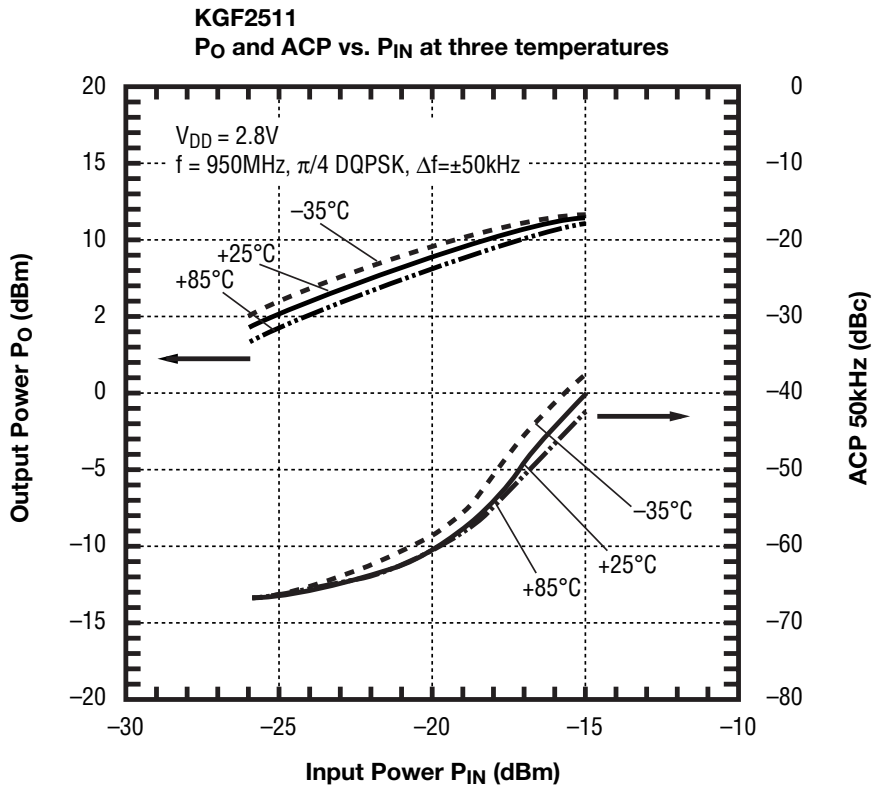
ELECTRICAL CHARACTERISTICS

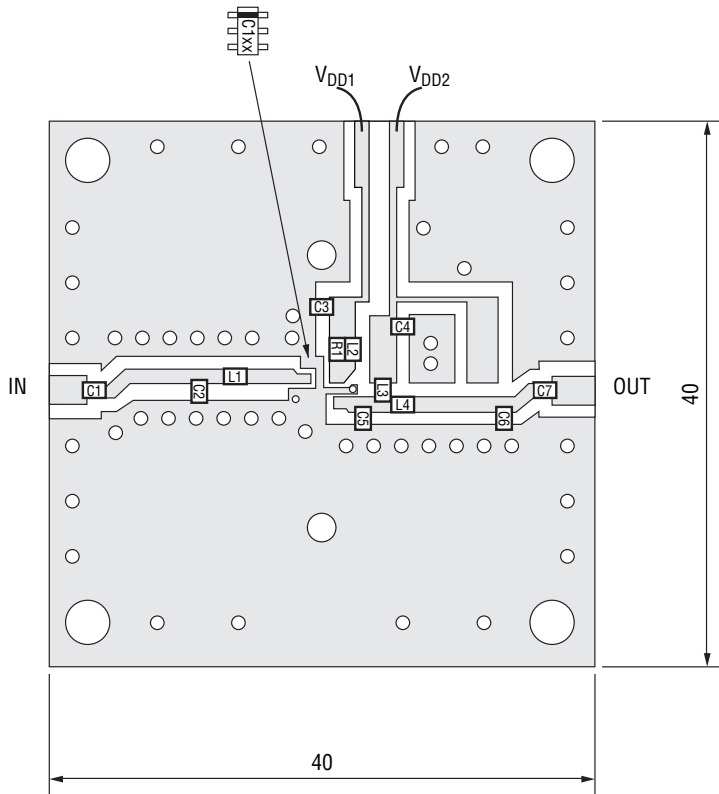
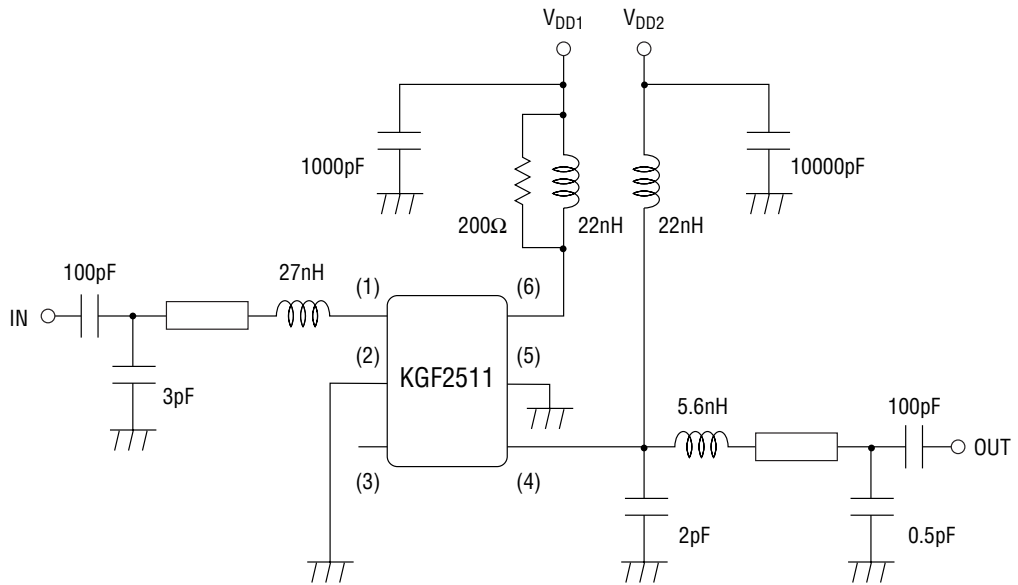
(Ta = 25°C)

Item	Symbol	Conditions	Unit	Min.	Typ.	Max.
Frequency	f	—	MHz	889	—	960
Operating current	I_{DD}	(*1), $P_{IN} = -20$ dBm	mA	—	24	28
Linear Gain	G_{LIN}	(*1), $P_{IN} = -30$ dBm	dB	27	30	—
Output Power	P_O	(*1), $P_{IN} = -20$ dBm	dBm	8	10	—
Adjacent channel power 1	ACP1	(*1), $P_O = 8$ dBm ± 50 kHz offset	dBc	—	-60	-55
Adjacent channel power 2	ACP2	(*1), $P_O = 8$ dBm ± 100 kHz offset	dBc	—	-70	-65

*1 Self-bias condition: $V_{DD} = 2.8$ V, $\pi/4$ DQPSK







C1:	100	pF
C2:	3	pF
C3:	1000	pF
C4:	10000	pF
C5:	2	pF
C6:	0.5	pF
C7:	100	pF
L1:	27	nH
L2:	22	nH
L3:	22	nH
L4:	5.6	nH
R1:	200	Ω

(unit: mm)

Substrate: Teflon-fiberglass
(0.8mm^t, 18μm^t Cu plated both side, ε_r = 2.6)