

## CMOS 4-BIT MICROCONTROLLER

## TMP47C212AN, TMP47C412AN

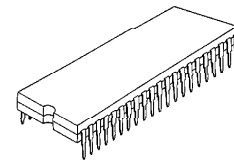
The 47C212A/412A are the high speed and high performance 4-bit single chip microcomputer with high breakdown voltage outputs of driving Vacuum Fluorescent Tube (VFT) directly which have pull-down resistors based on the TLCS-47 series.

PART No.	ROM	RAM	PACKAGE	OTP
TMP47C212AN	2048 × 8-bit	128 × 4-bit	SDIP42-P-600-1.78	TMP47P410AN
TMP47C412AN	4096 × 8-bit	256 × 4-bit		

## FEATURES

- ◆ 4-bit single chip microcomputer
- ◆ Instruction execution time : 1.9  $\mu$ s (at 4.2 MHz)
- ◆ 90 basic instructions
  - Table look-up instructions
  - 5-bit to 8-bit data conversion instruction
- ◆ Subroutine nesting : 15 levels max.
- ◆ 6 interrupt sources (External : 2, Internal : 4)  
All sources have independent latches each, and multiple interrupt control is available.
- ◆ I/O port (35 pins)
  - Input     2 ports     5 pins
  - Output    5 ports    20 pins
  - I/O       3 ports    10 pins
- ◆ Interval Timer
- ◆ Two 12-bit Timer / Counters  
Timer, event counter, and pulse width measurement mode
- ◆ Serial Interface with 4-bit buffer  
External / internal clock, and leading/trailing edge shift mode
- ◆ High breakdown voltage outputs with pull-down resistor  
VFT direct drive capability (max. 42 V × 20 bits)
- ◆ Hold function  
Battery / Capacitor back-up
- ◆ Real Time Emulator : BM4721A

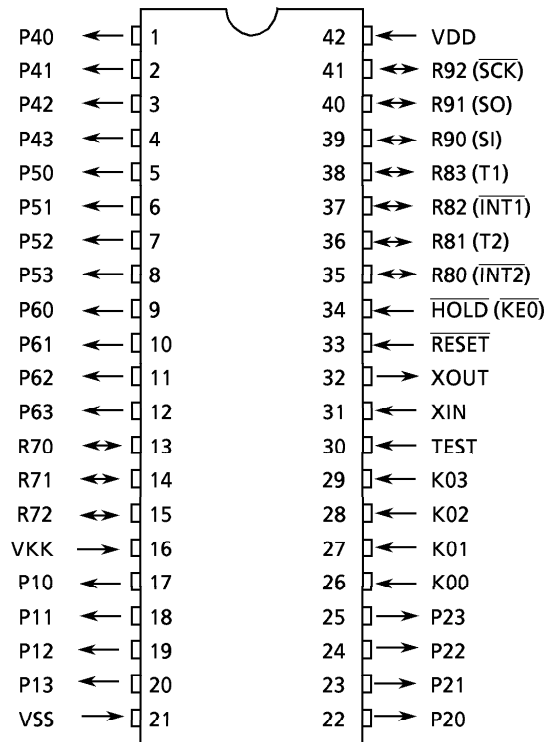
SDIP42-P-600-1.78



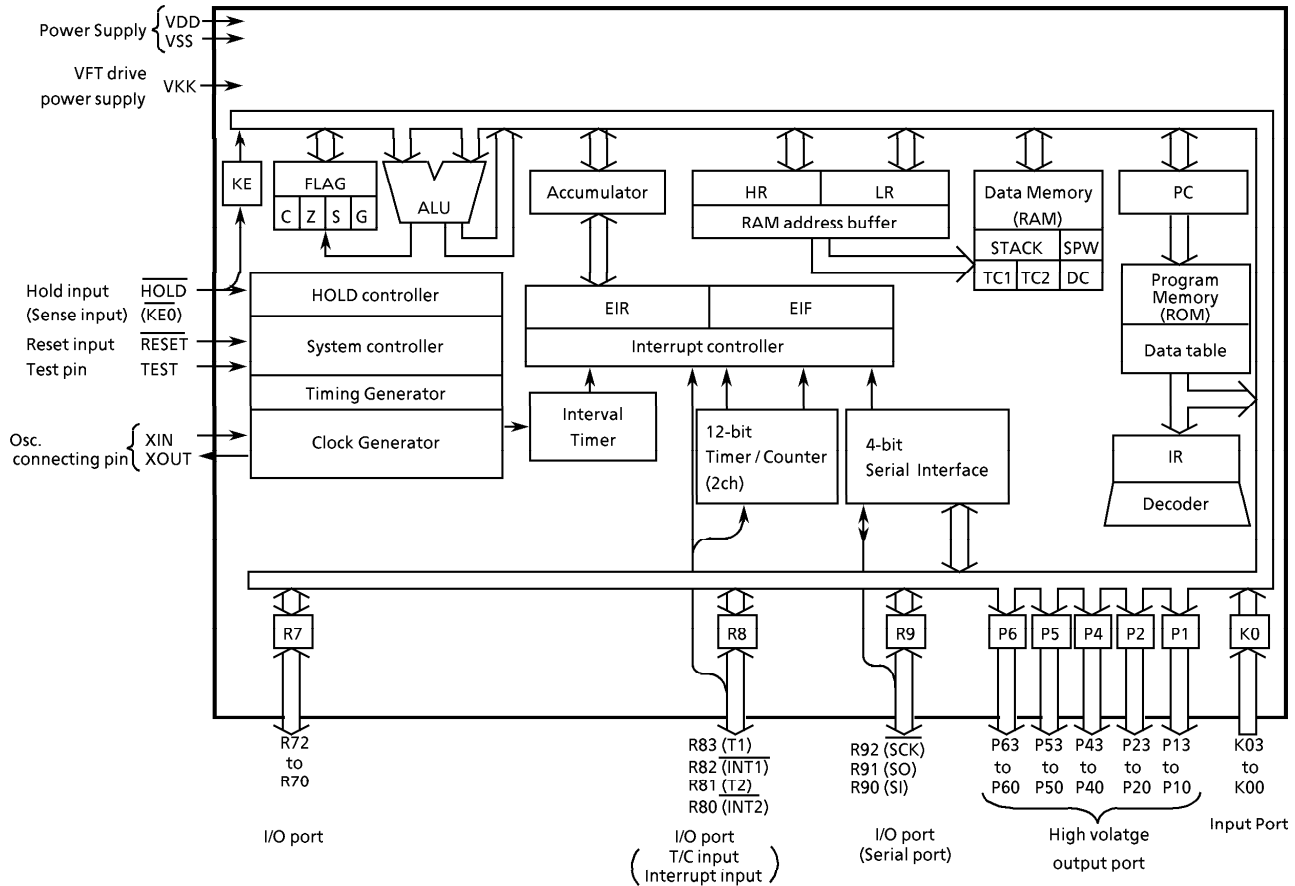
TMP47C212AN  
 TMP47C412AN  
 TMP47P410AN

PIN ASSIGNMENT (TOP VIEW)

SDIP42-P-600-1.78



BLOCK DIAGRAM



## PIN FUNCTION

PIN NAME	Input/Output	FUNCTIONS	
K03 to K00	Input	4-bit input port	
P13 to P10	Output	4-bit output port with latch (High breakdown output) .	
P23 to P20		8-bit data are output by the 5-bit to 8-bit data conversion instruction [OUTB @HL].	
P43 to P40	Output	4-bit output port with latch (High breakdown voltage output)	
P53 to P50			
P63 to P60			
R72 to R70	I/O	3-bit I/O port with latch. When used as input port, the latch must be set to "1".	
R83 (T1)	I/O (Input)	4-bit I/O port with latch.	Timer / Counter 1 external input
R82 ( $\overline{\text{INT1}}$ )		When used as input port, external interrupt input pin, or Timer / Counter external input pin, the latch must be set to "1".	External interrupt 1 input
R81 (T2)			Timer / Counter 2 external input
R80 ( $\overline{\text{INT2}}$ )			External interrupt 2 input
R92 ( $\overline{\text{SCK}}$ )	I/O (I/O)		3-bit I/O port with latch.
R91 (SO)	I/O (Output)	when used as input port or serial port, the latch must be set to "1".	Serial data output
R90 (SI)	I/O (Input)		Serial data input
XIN	Input	Resonator connecting pins.	
XOUT	Output	For inputting external clock, XIN is used and XOUT is opened.	
$\overline{\text{RESET}}$	Input	Reset signal input	
$\overline{\text{HOLD}}$ (KE0)	Input (Input)	Hold request / release signal input	Sense input
TEST	Input	Test pin for out-going test. Be opened or fixed to low level.	
VDD	Power Supply	+ 5 V	
VSS		0 V (GND)	
VKK		VFT drive power supply	

## OPERATIONAL DESCRIPTION

The 47C212A/412A have high breakdown voltage output ports with pull-down resistor which are changed from the 47C200B/400B. The hardware configuration and operation are similar to the 47C200B/400B, except high breakdown voltage output ports with pull-down resistors, so refer to the technical data sheets for the 47C200B/400B.

The 47C212A/412A can not use the 47P410A as the OTP type without the external pull-down resistors. The technical data sheets for the 47P410A shall also be referred to.

### 1. I/O Ports

The 47C212A/412A have 10 I/O ports (35 pin) each as follows.

- ① K0 ; 4-bit input
- ② P1, P2 ; 4-bit output (High Breakdown voltage output)
- ③ P4, P5, P6 ; 4-bit output (High Breakdown voltage output)
- ④ R7 ; 3-bit input/output
- ⑤ R8 ; 4-bit input/output (shared by external interrupt input and Timer/Counter input)
- ⑥ R9 ; 3-bit input/output (shared by hold request/release signal input)
- ⑦ KE ; 1-bit sense input (shared by hold request/release signal input)

This section describes ports of ②, ③, ④ which are changed from the 47C200B/400B.

Table 1-1 lists the port address assignments and the I/O instructions that can access the ports.

The 47P410A can be used as OTP type but it is necessary to set the pull-down resistor externally.

Therefore the technical data sheets for the 47P410A.

(1) Ports P1/P2 and Ports P4/P5/P6

These are 4-bit, with latch, high breakdown voltage output ports capable of directly driving Vacuum Fluorescent Tube (VFT). Latch data are read an input instruction is executed. During reset, the latch is initialized to "0".

Pull-down resistor is connected to the 20 pins of the five ports P1, P2, P4, P5 and P6 in a P-channel open drain configuration.

Each pin is connected to the VKK pin through pull-down resistor (80 kΩ) ; consequently, VFT can be driven by applying a minus voltage (35 V max.) to the VKK pin without connecting external resistor.

8-bit data can be output through ports P1 and P2 by using the 5-bit to 8-bit data conversion instruction ; therefore, these ports can also be effectively utilized as segment output pins.

Ports P4, P5 and P6 can be set and cleared in 1-bit units using the L-register indirect addressing bit manipulation instruction ; therefore, these ports can also be effectively utilized as digit output pins.

Figure 1-2 shows an example of driving a VFT 8-segment x 12-digit display.

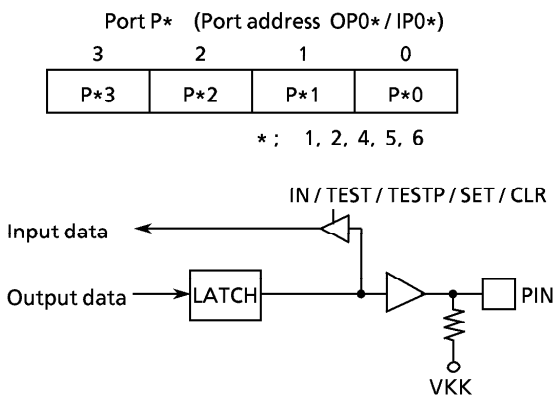


Figure 1-1. Ports P1, P2, P4, P5, P6

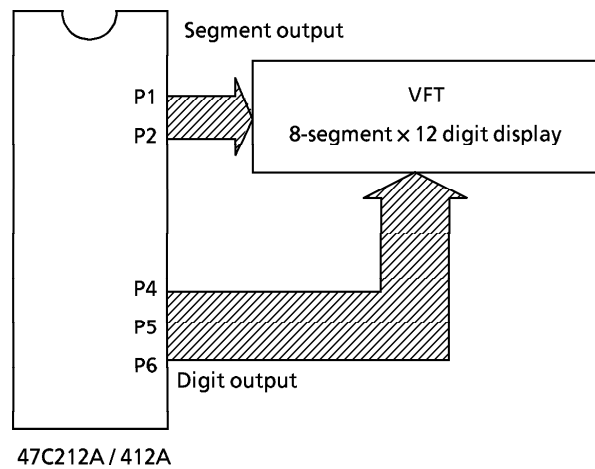


Figure 1-2. Example of driving a VFT

(2) Port R7

The 3-bit I/O port with latch, when used as an input, the latch must be set to "1". The latch is initialized to "1" during the reset. "1" is written to it when an input instruction is executed. They are the same as those of the 47C200B/400B, except pin R73 is included actually in Port R7.

Table 1-1. Port Address Assignments and Available I/O Instructions

Port address (**)	Port		Input/Output instructions																
	Input (IP**)	Output (OP**)	IN %p, A IN %p, @HL	OUT A, %p OUT @HL, %p	OUT #k, %p	OUTB @HL	SET %p, b CLR %p, b	TEST %p, b TESTP %p, b	SET @L CLR @L TEST @L										
00H	K0 input port	—	○	—	—	—	—	—	—	—	—	—	—	—	—	—	—	—	—
01	P1 output latch	P1 output port	○	—	—	—	—	—	—	—	○	—	—	—	—	—	—	—	—
02	P2 output latch	P2 output port	○	—	—	—	—	—	—	—	○	—	—	—	—	—	—	—	—
03	—	—	—	—	—	—	—	—	—	—	○	—	—	—	—	—	—	—	—
04	P4 output latch	P4 output port	○	—	—	—	—	—	—	—	○	—	—	—	—	—	—	—	—
05	P5 output latch	P5 output port	○	—	—	—	—	—	—	—	○	—	—	—	—	—	—	—	—
06	P6 output latch	P6 output port	○	—	—	—	—	—	—	—	○	—	—	—	—	—	—	—	—
07	R7 input port	R7 output port	○	—	—	—	—	—	—	—	○	—	—	—	—	—	—	—	—
08	R8 input port	R8 output port	○	—	—	—	—	—	—	—	○	—	—	—	—	—	—	—	—
09	R9 input port	R9 output port	○	—	—	—	—	—	—	—	○	—	—	—	—	—	—	—	—
0A	—	—	—	—	—	—	—	—	—	—	—	—	—	—	—	—	—	—	—
0B	—	—	—	—	—	—	—	—	—	—	—	—	—	—	—	—	—	—	—
0C	—	—	—	—	—	—	—	—	—	—	—	—	—	—	—	—	—	—	—
0D	—	—	—	—	—	—	—	—	—	—	—	—	—	—	—	—	—	—	—
0E	SIO, Hold status	—	○	—	—	—	—	—	—	—	—	—	—	—	—	—	—	—	—
0F	Serial receive buffer	Serial transmit buffer	○	○	○	—	—	—	—	—	—	—	—	—	—	—	—	—	—
10H	Undefined	Serial operating mode control	—	○	—	—	—	—	—	—	—	—	—	—	—	—	—	—	—
11	Undefined	—	—	—	—	—	—	—	—	—	—	—	—	—	—	—	—	—	—
12	Undefined	—	—	—	—	—	—	—	—	—	—	—	—	—	—	—	—	—	—
13	Undefined	—	—	—	—	—	—	—	—	—	—	—	—	—	—	—	—	—	—
14	Undefined	—	—	—	—	—	—	—	—	—	—	—	—	—	—	—	—	—	—
15	Undefined	—	—	—	—	—	—	—	—	—	—	—	—	—	—	—	—	—	—
16	Undefined	—	—	—	—	—	—	—	—	—	—	—	—	—	—	—	—	—	—
17	Undefined	—	—	—	—	—	—	—	—	—	—	—	—	—	—	—	—	—	—
18	Undefined	Interval Timer interrupt control	—	○	—	—	—	—	—	—	—	—	—	—	—	—	—	—	—
19	Undefined	—	—	—	—	—	—	—	—	—	—	—	—	—	—	—	—	—	—
1A	Undefined	—	—	—	—	—	—	—	—	—	—	—	—	—	—	—	—	—	—
1B	Undefined	—	—	—	—	—	—	—	—	—	—	—	—	—	—	—	—	—	—
1C	Undefined	Timer/Counter 1 control	—	○	—	—	—	—	—	—	—	—	—	—	—	—	—	—	—
1D	Undefined	Timer/Counter 2 control	—	○	—	—	—	—	—	—	—	—	—	—	—	—	—	—	—
1E	Undefined	—	—	—	—	—	—	—	—	—	—	—	—	—	—	—	—	—	—
1F	Undefined	Serial interface control	—	○	—	—	—	—	—	—	—	—	—	—	—	—	—	—	—

Note 1. "—" means the reserved state. Unavailable for the user programs.

Note 2. The 5-bit to 8-bit data conversion instruction [OUTB @HL], automatic access to ports P1 and P2.

**INPUT/OUTPUT CIRCUITRY**

(1) Control pins

The input/output circuitries of the 47C212A/412A control pins are similar to those of the 47C200B/400B.

(2) I/O ports

The input/output circuitries of the 47C212A/412A I/O ports are shown below, any one of the circuitries can be chosen by a code (NA, NB, NC) as a mask option.

PORT	I/O	INPUT/OUTPUT CIRCUITRY and CODE			REMARKS
		NA	NB	NC	
K0	Input				<p>Pull-up/pull-down resistor</p> <p><math>R_{IN} = 70\text{ k}\Omega</math> (typ.)</p> <p><math>R = 1\text{ k}\Omega</math> (typ.)</p>
P1 P2 P4 P5 P6	Output				<p>Source open drain</p> <p>Initial "Hi-Z"</p> <p>High breakdown voltage</p> <p>Pull-down resistor</p> <p><math>R_K = 80\text{ k}\Omega</math> (typ.)</p>
R7	I/O				<p>Sink open drain</p> <p>Initial "Hi-Z"</p> <p><math>R = 1\text{ k}\Omega</math> (typ.)</p>
R8 R9	I/O				<p>Sink open drain</p> <p>Initial "Hi-Z"</p> <p>Hysteresis input</p> <p><math>R = 1\text{ k}\Omega</math> (typ.)</p>

## ELECTRICAL CHARACTERISTICS

## ABSOLUTE MAXIMUM RATINGS

(V<sub>SS</sub> = 0 V)

PARAMETER	SYMBOL	PINS	RATING	UNIT
Supply Voltage	V <sub>DD</sub>		- 0.5 to 7	V
Input Voltage	V <sub>IN</sub>		- 0.5 to V <sub>DD</sub> + 0.5	V
Output Voltage	V <sub>OUT1</sub>	Except sink open drain pin	- 0.5 to V <sub>DD</sub> + 0.5	V
	V <sub>OUT2</sub>	Sink open drain pin	- 0.5 to 10	
	V <sub>OUT3</sub>	Source open drain pin	- 35 to V <sub>DD</sub> + 0.5	
Output Current (Per 1 pin)	I <sub>OUT1</sub>	Ports P1, P2	- 2	mA
	I <sub>OUT2</sub>	Ports P4, P5, P6	- 25	
	I <sub>OUT3</sub>	Ports R7, R8, R9	3.5	
Output current (Total)	Σ I <sub>OUT2</sub>	Ports P4, P5, P6	- 100	mA
Power Dissipation [T <sub>opr</sub> = 70 °C]	PD		600	mW
Soldering Temperature (Time)	T <sub>slid</sub>		260 (10 s)	°C
Storage Temperature	T <sub>stg</sub>		- 55 to 125	°C
Operating Temperature	T <sub>opr</sub>		- 30 to 70	°C

## RECOMMENDED OPERATING CONDITIONS

(V<sub>SS</sub> = 0 V, T<sub>opr</sub> = - 30 to 70 °C)

PARAMETER	SYMBOL	PINS	CONDITIONS	Min.	Max.	UNIT
Supply Voltage	V <sub>DD</sub>		In the Normal mode	4.5	6.0	V
			In the HOLD mode	2.0		
Input High Voltage	V <sub>IH1</sub>	Except Hysteresis Input	V <sub>DD</sub> ≥ 4.5 V	V <sub>DD</sub> × 0.7	V <sub>DD</sub>	V
	V <sub>IH2</sub>	Hysteresis Input		V <sub>DD</sub> × 0.75		
	V <sub>IH3</sub>		V <sub>DD</sub> < 4.5 V	V <sub>DD</sub> × 0.9		
Input Low Voltage	V <sub>IL1</sub>	Except Hysteresis Input	V <sub>DD</sub> ≥ 4.5 V	0	V <sub>DD</sub> × 0.3	V
	V <sub>IL2</sub>	Hysteresis Input			V <sub>DD</sub> × 0.25	
	V <sub>IL3</sub>		V <sub>DD</sub> < 4.5 V		V <sub>DD</sub> × 0.1	
Clock Frequency	f <sub>c</sub>			0.4	4.2	MHz

Note. Input Voltage V<sub>IH3</sub>, V<sub>IL3</sub>: in the HOLD mode



**D.C. CHARACTERISTICS** ( $V_{SS} = 0\text{ V}$ ,  $V_{DD} = 4.5\text{ to }6.0\text{ V}$ ,  $T_{opr} = -30\text{ to }70\text{ }^{\circ}\text{C}$ )

PARAMETER	SYMBOL	PINS	CONDITIONS	Min.	Typ.	Max.	UNIT
Hysteresis Voltage	$V_{HS}$	Hysteresis Input		—	0.7	—	V
Input Current	$I_{IN1}$	Port K0, TEST, RESET, HOLD	$V_{DD} = 5.5\text{ V}$ ,	—	—	$\pm 2$	$\mu\text{A}$
	$I_{IN2}$	Port R (open drain)	$V_{IN} = 5.5\text{ V} / 0\text{ V}$				
Input Resistance	$R_{IN1}$	Port K0 with pull-up/pull-down		30	70	150	$\text{k}\Omega$
	$R_{IN2}$	$\overline{\text{RESET}}$		100	220	450	
Output Leakage Current	$I_{LO1}$	Port R (Sink open drain)	$V_{DD} = 5.5\text{ V}$ , $V_{OUT} = 5.5\text{ V}$	—	—	2	$\mu\text{A}$
	$I_{LO2}$	Port P (Source open drain)	$V_{DD} = 5.5\text{ V}$ , $V_{OUT} = -32\text{ V}$	—	—	-2	
Output High Voltage	$V_{OH2}$	Ports P1, P2	$V_{DD} = 4.5\text{ V}$ , $I_{OH} = -1.6\text{ mA}$	2.4	—	—	V
	$V_{OH3}$	Ports P4, P5, P6	$V_{DD} = 4.5\text{ V}$ , $I_{OH} = -10\text{ mA}$	2.4	—	—	
Output Low Current	$V_{OL}$	Ports R7, R8, R9	$V_{DD} = 4.5\text{ V}$ , $I_{OL} = 1.6\text{ mA}$	—	—	0.4	V
Pull-Down Resistance	$R_K$	Source open drain	$V_{DD} = 5.5\text{ V}$ , $V_{KK} = -30\text{ V}$	—	80	—	$\text{k}\Omega$
Supply Current (in the Normal mode)	$I_{DD}$		$V_{DD} = 5.5\text{ V}$ , $f_c = 4\text{ MHz}$	—	3	6	mA
Supply Current (in the HOLD mode)	$I_{DDH}$		$V_{DD} = 5.5\text{ V}$	—	0.5	10	$\mu\text{A}$

Note 1. Typ. values show those at  $T_{opr} = 25\text{ }^{\circ}\text{C}$ ,  $V_{DD} = 5\text{ V}$ .

Note 2. Input Current  $I_{IN1}$ : The current through resistor is not included, when the pull-up/pull-down resistor is contained.

Note 3. Supply Current:  $V_{IN} = 5.3\text{ V} / 0.2\text{ V}$

The K0 port is open when the pull-up / pull-down resistor is contained.

The voltage applied to the R port is within the valid range  $V_{IL}$  or  $V_{IH}$ .

**A.C. CHARACTERISTICS**

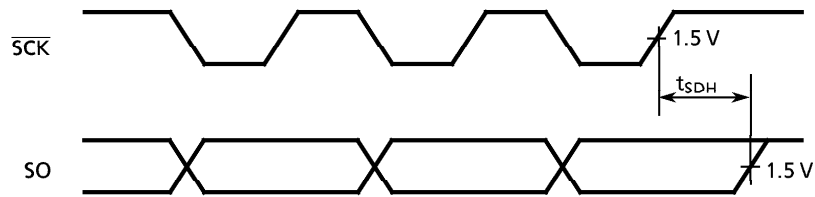
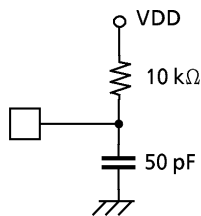
( $V_{SS} = 0\text{ V}$ ,  $V_{DD} = 4.5\text{ to }6.0\text{ V}$ ,  $T_{opr} = -30\text{ to }70\text{ }^\circ\text{C}$ )

PARAMETER	SYMBOL	CONDITONS	Min.	Typ.	Max.	UNIT
Instruction Cycle Time	$t_{cy}$		1.9	—	20	$\mu\text{s}$
High Level Clock Pulse Width	$t_{WCH}$	For external clock operation	80	—	—	ns
Low Level Clock Pulse Width	$t_{WCL}$					
Shift Data Hold Time	$t_{SDH}$		$0.5 t_{cy} - 300$	—	—	ns

**Note. Shift data Hold Time:**

*External circuit for  $\overline{SCK}$  pin and SO pin*

*Serial port (completion of transmission)*



**RECOMMENDED OSCILLATING CONDITIONS**

( $V_{SS} = 0\text{ V}$ ,  $V_{DD} = 4.5\text{ to }6.0\text{ V}$ ,  $T_{opr} = -30\text{ to }70\text{ }^\circ\text{C}$ )

**(1) 4 MHz**

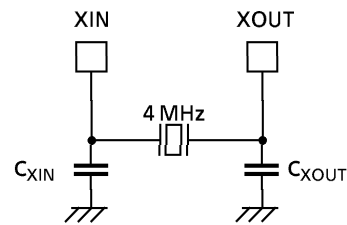
**Ceramic Resonator**

CSA4.00MG (MURATA)  $C_{XIN} = C_{XOUT} = 30\text{ pF}$

KBR-4.00MS (KYOCERA)  $C_{XIN} = C_{XOUT} = 30\text{ pF}$

**Crystal Oscillator**

204B-6F 4.0000 (TOYOCOM)  $C_{XIN} = C_{XOUT} = 20\text{ pF}$

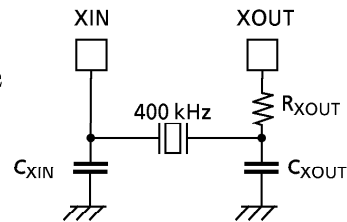


**(2) 400 kHz**

**Ceramic Resonator**

CSB400B (MURATA)  $C_{XIN} = C_{XOUT} = 220\text{ pF}$ ,  $R_{XOUT} = 6.8\text{ k}\Omega$

KBR-400B (KYOCERA)  $C_{XIN} = C_{XOUT} = 100\text{ pF}$ ,  $R_{XOUT} = 10\text{ k}\Omega$



TYPICAL CHARACTERISTICS

