

OKI

MSM9552/9553
IC for FM Multiplex
Broadcast Reception
User's Manual

Ver. 1.0

ISSUE DATE: Mar., 1998

IMPORTANT NOTICE

DARC (DAta Radio Channel), an FM multiplex broadcast technology, has been developed by NHK (Japan Broadcasting Corporation). DARC is a registered trademark of NHK Engineering Service (NHK-ES).

Any manufacturer who intends to manufacture/sell products that utilize DARC technology needs to be licensed by NHK-ES.

For detailed information on licenses, please contact:

NHK Engineering Service

Phone: (+81) 3-3417-4840

NOTICE

1. The information contained herein can change without notice owing to product and/or technical improvements. Before using the product, please make sure that the information being referred to is up-to-date.
2. The outline of action and examples for application circuits described herein have been chosen as an explanation for the standard action and performance of the product. When planning to use the product, please ensure that the external conditions are reflected in the actual circuit, assembly, and program designs.
3. When designing your product, please use our product below the specified maximum ratings and within the specified operating ranges including, but not limited to, operating voltage, power dissipation, and operating temperature.
4. Oki assumes no responsibility or liability whatsoever for any failure or unusual or unexpected operation resulting from misuse, neglect, improper installation, repair, alteration or accident, improper handling, or unusual physical or electrical stress including, but not limited to, exposure to parameters beyond the specified maximum ratings or operation outside the specified operating range.
5. Neither indemnity against nor license of a third party's industrial and intellectual property right, etc. is granted by us in connection with the use of the product and/or the information and drawings contained herein. No responsibility is assumed by us for any infringement of a third party's right which may result from the use thereof.
6. The products listed in this document are intended for use in general electronics equipment for commercial applications (e.g., office automation, communication equipment, measurement equipment, consumer electronics, etc.). These products are not authorized for use in any system or application that requires special or enhanced quality and reliability characteristics nor in any system or application where the failure of such system or application may result in the loss or damage of property, or death or injury to humans. Such applications include, but are not limited to, traffic and automotive equipment, safety devices, aerospace equipment, nuclear power control, medical, and life-support systems.
7. Certain products in this document may need government approval before they can be exported to particular countries. The purchaser assumes the responsibility of determining the legality of export of these products and will take appropriate and necessary steps at their own expense for these.
8. No part of the contents contained herein may be reprinted or reproduced without our prior permission.
9. MS-DOS is a registered trademark of Microsoft Corporation.

Copyright 1998 Oki Electric Industry Co., Ltd.

TABLE OF CONTENTS

1. GENERAL DESCRIPTION	1-1
2. BLOCK DIAGRAM	2-1
3. PIN INFORMATION	3-1
3.1 PIN CONFIGURATION (TOP VIEW)	3-1
3.2 PIN DESCRIPTIONS	3-2
4. ELECTRICAL CHARACTERISTICS	4-1
4.1 MSM9552 ELECTRICAL CHARACTERISTICS	4-1
4.1.1 Absolute Maximum Ratings	4-1
4.1.2 Recommended Operating Conditions	4-1
4.1.3 DC Characteristics	4-2
4.1.4 AC Characteristics	4-3
4.1.5 Filter Characteristics	4-4
4.2 MSM9553 ELECTRICAL CHARACTERISTICS	4-5
4.2.1 Absolute Maximum Ratings	4-5
4.2.2 Recommended Operating Conditions	4-5
4.2.3 DC Characteristics	4-6
4.2.4 AC Characteristics	4-7
4.2.5 Filter Characteristics	4-8
4.3 TIMING DIAGRAM	4-9
5. CONTROL REGISTERS	5-1
5.1 INTERRUPT REGISTERS	5-1
5.1.1 Interrupt Source	5-1
5.1.2 INT Mask	5-3
5.2 RECEIVE DATA REGISTERS	5-4
5.2.1 Receive Block Status	5-4
5.2.2 Receive Data RAM Port	5-6
5.2.3 Receive RAM, Data Accumulation Condition, and Address Clear	5-6
5.2.4 BIC Monitor	5-7
5.3 CLOCK REGENERATION REGISTERS	5-10
5.3.1 Fixed Phase Adjustment	5-10
5.3.2 Bit Gate	5-12
5.3.3 Integration Constant	5-13
5.3.4 Phase Correction Step	5-14
5.4 BLOCK SYNCHRONIZATION REGISTERS	5-15
5.4.1 Allowable Number of BIC Error Bits	5-15
5.4.2 Number of Block Synchronization Backward Protection Steps	5-16
5.4.3 Number of Block Synchronization Forward Protection Steps	5-16
5.4.4 Block Synchronization Monitor	5-17
5.4.5 Block Synchronization Set	5-18
5.4.6 Block Synchronization Clear	5-18
5.4.7 Bit Number Monitor	5-18

5.5	FRAME SYNCHRONIZATION REGISTERS	5-19
5.5.1	Number of Frame Synchronization Backward Protection Steps	5-19
5.5.2	Number of Frame Synchronization Forward Protection Steps	5-19
5.5.3	Frame Synchronization Monitor	5-20
5.5.4	Frame Synchronization Set	5-21
5.5.5	Frame Synchronization Clear	5-21
5.5.6	Block Number Monitor	5-21
5.5.7	Frame Format Specification	5-23
5.6	ERROR CORRECTION REGISTERS	5-24
5.6.1	Internal Memory Address Counter Clear	5-24
5.6.2	Data Transfer Port for Error Correction	5-24
5.6.3	Error Correction Start Signal	5-25
5.6.4	CRC Result Indication	5-26
5.6.5	Error Correction Result Indication	5-26
5.6.6	Majority Logic Threshold Value	5-27
5.6.7	Internal Address Monitor	5-27
5.7	LAYER 4 CRC REGISTERS	5-31
5.7.1	Layer 4 CRC Register Clear	5-31
5.7.2	Layer 4 CRC Data Buffer	5-31
5.7.3	Layer 4 CRC Result Indication	5-31
5.7.4	Layer 4 CRC Register	5-32
5.8	ANALOG SECTION CONTROL/MONITOR REGISTER	5-34
5.9	POWER DOWN CONTROL REGISTER	5-37
5.10	TEST CONTROL REGISTERS	5-39
5.10.1	Test Control 0	5-39
5.10.2	Test Control 1	5-39
5.11	I/O ADDRESS REGISTER	5-42
5.12	EXTENDED PORT REGISTER	5-43
6.	EXTERNAL CONNECTION EXAMPLE	6-1
7.	APPLICATION CIRCUIT	7-1
	APPENDIX: INTERNATIONAL FRAME FORMAT	Appendix-1

Chapter 1

GENERAL DESCRIPTION

1. GENERAL DESCRIPTION

The MSM9552 and MSM9553 are LSI devices which demodulate FM character multiplex signals in the DARC (Data Radio Channel) format to acquire digital data. These devices operate on 5 V and 3 V, respectively. In the DARC format, baseband signals at ordinary FM broadcasting frequencies are multiplexed with 16 kbps digital data which are L-MSK-modulated at 76 kHz.

Each device has a bandpass filter consisting of SCF, frame synchronization circuit, and error correction circuit, on a single chip.

They allow a system for acquisition of digital data to be easily constructed by externally mounting an FM receiver tuner, microcontroller for control, and memory for temporary storage of data.

The MSM9552 and MSM9553 have a simple configuration, and are equipped with only necessary functions. By making changes to software for the external microcontroller, the MSM9552 and MSM9553 meet the various requirements of FM multiplex broadcasting services to be offered in future.

These devices are best suited for radio sets and information devices using FM character multiplex broadcasting, which began in Japan in October 1994. The MSM9553 is especially suitable for portable units.

Features

- Built-in Bandpass Filter (SCF)
- Built-in Block Synchronization Circuit and Frame Synchronization Circuit
- Setting of Synchronization Protecting Stage number
- Regeneration of Data Clocks by Digital PLL
- 1T Delay Detection
- Built-in Error Correcting Circuit
- Built-in Layer 4 and Layer 2 CRC Processing Circuit
- International Frame Formats A (supporting a real time block), B, and C available
- Microcontroller Parallel Interface
- Clock Output for External Devices (64 kHz to 8.192 MHz selectable)
- Power Source: 5 V (MSM9552), 3 V (MSM9553)
- Package: 44-pin plastic QFP (QFP44-P-910-0.80-2K) (Product name: MSM9552GS-2K, MSM9553GS-2K)

Chapter 2

BLOCK DIAGRAM

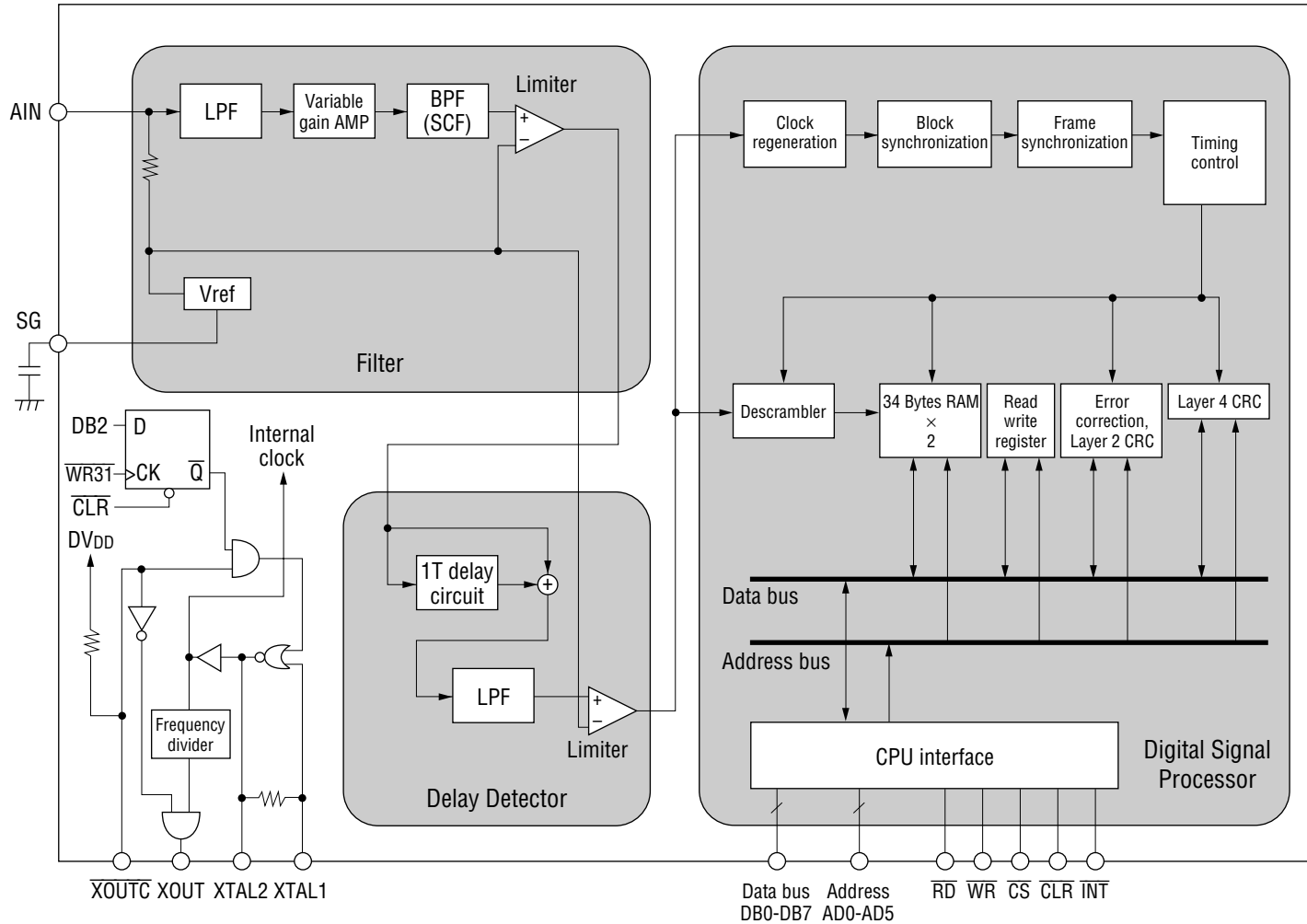


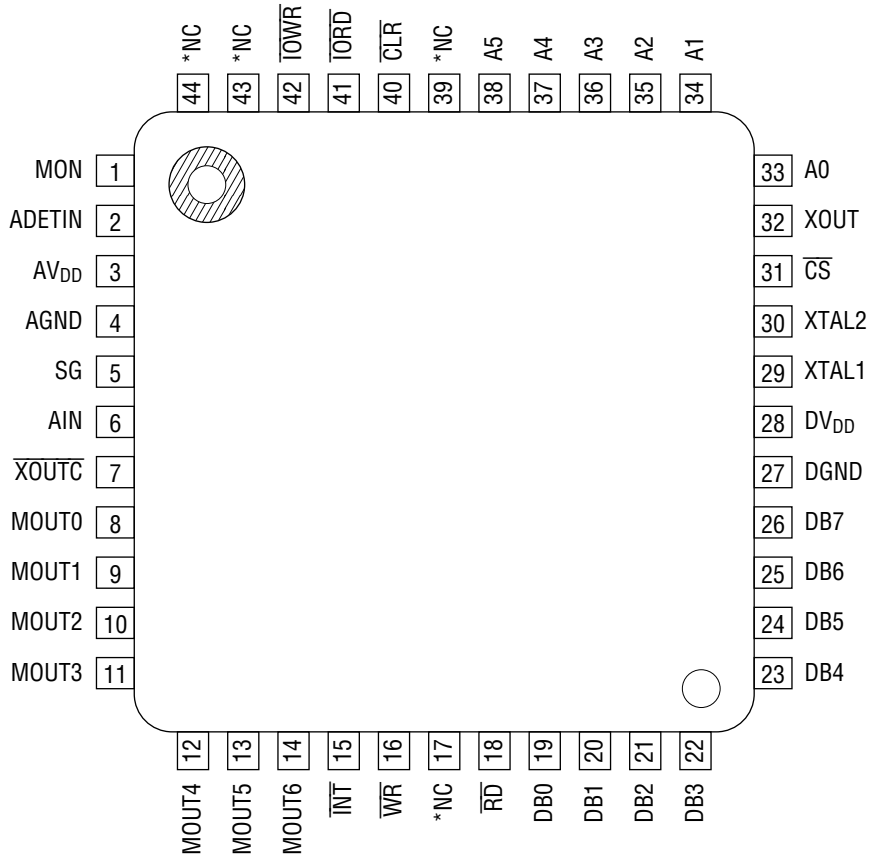
Figure 2.1 Block Diagram

Chapter 3

PIN INFORMATION

3. PIN INFORMATION

3.1 PIN CONFIGURATION (TOP VIEW)



44-Pin Plastic QFP

Figure 3.1 Pin Layout

* Leave the NC pins (17, 39, 43, and 44) open.

3.2 PIN DESCRIPTIONS

Table 3.1 Pin Description

Function	Symbol	Pin	Type	Description
Microcontroller interface	\overline{WR}	16	I	Write signal to internal register.
	\overline{RD}	18	I	Read signal to internal register.
	\overline{INT}	15	O	Interrupt signal to microcontroller. When set to "L", an interrupt is generated.
	\overline{CS}	31	I	Chip select signal. When set to "L", the read, write, and data bus signals become effective.
	\overline{CLR}	40	I	When set to "L", the internal register is initialized, and the IC enters power down mode.
	A0-A5	33-38	I	Address signal to internal register.
	DB0-DB7	19-26	I/O	Data bus signal to internal register.
Tuner interface	AIN	6	I	FM multiple signal input.
	SG	5	O	Analog reference voltage pin. Connect a capacitor between this pin and the analog ground pin to prevent noise.
Analog section test	MON	1	O	Analog section waveform monitoring pin. The mode setting for the blocks in the analog section is specified by the analog section control register.
	ADETIN	2	I	Analog signal input pin for testing.
Digital section test	\overline{TORD}	41,	I	Digital section test signal input pins (pulled up internally).
	\overline{TOWR}	42	I	
	MOUT0-MOUT6	8-14	O	Digital section test signal and monitor output pins.
Clock	XTAL1	29	I	8.192 MHz crystal connection.
	XTAL2	30	O	8.192 MHz crystal connection.
	XOUT	32	O	Pin to supply variable clock (64 kHz to 8.192 MHz) to external devices.
	\overline{XOUTC}	7	I	XOUT control. "L" sets XOUT output, "H" sets XOUT output inhibit. This pin is pulled up internally.
Power supply	AV _{DD}	3	—	Analog power supply.
	AGND	4	—	Analog ground.
	DV _{DD}	28	—	Digital power supply.
	DGND	27	—	Digital ground.

Chapter 4

ELECTRICAL CHARACTERISTICS

4. ELECTRICAL CHARACTERISTICS

4.1 MSM9552 ELECTRICAL CHARACTERISTICS

4.1.1 Absolute Maximum Ratings

No.	Parameter	Symbol	Condition	Rating	Unit
1	Power supply voltage	AV_{DD}	$AV_{DD} = DV_{DD}$ $T_a = 25^{\circ}\text{C}$	-0.3 to +7.0	V
		DV_{DD}			
2	Input voltage	V_I		-0.3 to $AV_{DD} + 0.3$	
	Output voltage	V_O		-0.3 to $DV_{DD} + 0.3$	
3	Maximum power dissipation	P_D	$T_a = 25^{\circ}\text{C}$, per package	400	mW
			$T_a = 25^{\circ}\text{C}$, per output	50	
4	Storage temperature	T_{STG}	—	-55 to +150	$^{\circ}\text{C}$

4.1.2 Recommended Operating Conditions

No.	Parameter	Symbol	Condition	Range	Unit	Applied Pin
1	Power supply voltage	AV_{DD}	$AV_{DD} = DV_{DD}$	4.5 to 5.5	V	AV_{DD}
		DV_{DD}				DV_{DD}
2	Crystal oscillation frequency	f_{XTAL}	—	8.192 MHz \pm 100 ppm	—	XTAL1, XTAL2
3	FM multiplex signal input voltage	V_{AIN}	Composite signal including multiplex signal	0.5 to 2*	V_{P-P}	AIN
4	Operating temperature	T_a	—	-40 to +85	$^{\circ}\text{C}$	—

* The gain of the variable gain amplifier (VGain): $\times 1$, $\times 1.5$, $\times 2$, or $\times 3$.

The VGain should be adjusted to satisfy the equation: $V_{AIN} \times \text{VGain} = 1.5 \text{ V to } 2.0 \text{ V}$.

4.1.3 DC Characteristics

($DV_{DD} = AV_{DD} = 5\text{ V} \pm 10\%$, $DGND = AGND = 0\text{ V}$, $T_a = -40\text{ to }+85^\circ\text{C}$)

No.	Parameter	Symbol	Condition	Min.	Typ.	Max.	Unit	Applied Pin
1	Input voltage	V_{IH}	—	$0.8 \times DV_{DD}$	—	—	V	\overline{WR} , \overline{RD} , \overline{XOUTC} , DB0 to DB7, XTAL1, \overline{CS} , A0 to A5, \overline{CLR} , \overline{IORD} , \overline{IOWR}
		V_{IL}		—	—	$0.2 \times DV_{DD}$		
2	Output voltage	V_{OH}	$I_{OH} = -1\text{ mA}$	DV_{DD} -0.5	—	—	V	MOUT0 to MOUT6, \overline{INT} , DB0 to DB7, XOUT
		V_{OL}	$I_{OL} = 2\text{ mA}$	—	—	0.45		
3	Input current 1	I_{IH1}	$V_{IH} = DV_{DD}$	—	—	2	μA	\overline{WR} , \overline{RD} , \overline{CS} , DB0 to DB7, A0 to A5, \overline{CLR}
		I_{IL1}	$V_{IL} = DGND$	-2	—	—		
4	Input current 2	I_{IH2}	$V_{IH} = AV_{DD}$	—	—	2	μA	ADETIN
		I_{IL2}	$V_{IL} = AGND$	-2	—	—		
5	Input current 3	I_{IH3}	$V_{IH} = DV_{DD}$	—	—	2	μA	\overline{XOUTC} , \overline{IORD} , \overline{IOWR}
6	Pull-up current	I_{pull}	$DV_{DD} = 5\text{ V}$, $V_{IL} = DGND$	8	35	110	μA	
7	Output off-leakage current	I_{OH}	$V_{OH} = AV_{DD}$ During nonmonitoring (Hiz)	—	—	2	μA	MON
		I_{OL}	$V_{OL} = AGND$ During nonmonitoring (Hiz)	-2	—	—		
8	Supply current	I_{DD}	During operation, no load $f = 8.192\text{ MHz}$	—	16	32	mA	AV_{DD} , DV_{DD}
			During power down, no load	—	—	20	μA	

4.1.4 AC Characteristics

No.	Parameter	Symbol*	Condition	Min.	Typ.	Max.	Unit	Applied Pin
1	Write setup time	t_{SWR1}	—	10	—	—	ns	\overline{WR} , \overline{CS} , A0 to A5, DB0 to DB7
		t_{SWR2}	—	60	—	—		
2	Write hold time	t_{HWR}	—	10	—	—	ns	\overline{WR} , \overline{CS} , A0 to A5, DB0 to DB7
3	Write pulse width	t_{WWR}	—	65	—	—	ns	\overline{WR}
4	Read setup time	t_{SRD}	—	10	—	—	ns	\overline{RD} , \overline{CS} , A0 to A5
5	Read hold time	t_{HRD}	—	10	—	—	ns	\overline{RD} , \overline{CS} , A0 to A5
6	Read pulse width	t_{WRD}	—	105	—	—	ns	\overline{RD}
7	Interval between error correction data write and write	t_{IWRWRE}	Error correction	250	—	—	ns	\overline{WR}
8	Interval between error correction data read and read	t_{IRDRDE}	Error correction	250	—	—	ns	\overline{RD}
9	Interval between error correction data write and read	t_{IWRRDE}	Error correction	100	—	—	ns	\overline{WR} , \overline{RD}
10	Interval between layer 4 data clear and write	$t_{ICLRWR4}$	Layer 4 CRC	100	—	—	ns	\overline{WR}
11	Interval between layer 4 data write and write	t_{IWRWR4}	Layer 4 CRC	4.5	—	—	μs	\overline{WR}
12	Interval between layer 4 data write and read	t_{IWRRD4}	Layer 4 CRC	4.5	—	—	μs	\overline{WR} , \overline{RD}
13	Read data output delay (1)	t_{DRD1}	—	—	—	95	ns	\overline{RD} , DB0 to DB7
14	Read data output delay (2)	t_{DRD2}	—	—	—	80	ns	\overline{RD} , DB0 to DB7
15	Interrupt CLR delay	$t_{DINTCLR}$	Step out interrupt Error correction interrupt	250	—	—	ns	\overline{INT} , \overline{WR}
16	Error correction time (Horizontal direction)	t_{ERRL}	—	—	—	274	μs	\overline{INT} , DB0
17	Error correction time (Vertical direction)	t_{ERRV}	—	—	—	2178	μs	\overline{INT} , DB0
18	CLR pulse width	t_{WCLR}	—	200	—	—	ns	\overline{CLR}

* See section 4.3, "TIMING DIAGRAM".

4.1.5 Filter Characteristics

No.	Parameter	Symbol	Condition	Min.	Typ.	Max.	Unit	Applied Pin
1	BPF pass band attenuation	GAIN1	72 to 80 kHz Variable gain amplifier gain: 0 dB	—	—	3.0	dB	MON
2	BPF block band attenuation (1)	GAIN2	0 to 53 kHz Variable gain amplifier gain: 0 dB	50	—	—	dB	MON
3	BPF block band attenuation (2)	GAIN3	100 to 500 kHz Variable gain amplifier gain: 0 dB	50	—	—	dB	MON

4.2 MSM9553 ELECTRICAL CHARACTERISTICS

4.2.1 Absolute Maximum Ratings

No.	Parameter	Symbol	Condition	Rating	Unit
1	Power supply voltage	AV_{DD}	$AV_{DD} = DV_{DD}$ $T_a = 25^{\circ}\text{C}$	-0.3 to +7.0	V
		DV_{DD}			
2	Input voltage	V_I		-0.3 to $AV_{DD} + 0.3$	
	Output voltage	V_O		-0.3 to $DV_{DD} + 0.3$	
3	Maximum power dissipation	P_D	$T_a = 25^{\circ}\text{C}$, per package	400	mW
			$T_a = 25^{\circ}\text{C}$, per output	50	
4	Storage temperature	T_{STG}	—	-55 to +150	$^{\circ}\text{C}$

4.2.2 Recommended Operating Conditions

No.	Parameter	Symbol	Condition	Range	Unit	Applied Pin
1	Power supply voltage	AV_{DD}	$AV_{DD} = DV_{DD}$	2.7 to 3.3	V	AV_{DD}
		DV_{DD}				DV_{DD}
2	Crystal oscillation frequency	f_{XTAL}	—	8.192 MHz \pm 100 ppm	—	XTAL1, XTAL2
3	FM multiplex signal input voltage	V_{AIN}	Composite signal including multiplex signal	0.2 to 0.9*	V_{P-P}	AIN
4	Operating temperature	T_a	—	-20 to +75	$^{\circ}\text{C}$	—

* The gain of the variable gain amplifier (VGain): $\times 1$, $\times 1.5$, $\times 2$, or $\times 3$.

The VGain should be adjusted to satisfy the equation: $V_{AIN} \times \text{VGain} = 0.6 \text{ V to } 0.9 \text{ V}$.

4.2.3 DC Characteristics

($DV_{DD} = AV_{DD} = 3\text{ V} \pm 10\%$, $DGND = AGND = 0\text{ V}$, $T_a = -20\text{ to }+75^\circ\text{C}$)

No.	Parameter	Symbol	Condition	Min.	Typ.	Max.	Unit	Applied Pin
1	Input voltage	V_{IH}	—	$0.8 \times DV_{DD}$	—	—	V	\overline{WR} , \overline{RD} , \overline{XOUTC} , DB0 to DB7, XTAL1, \overline{CS} , A0 to A5, \overline{CLR} , \overline{IORD} , \overline{IOWR}
		V_{IL}		—	—	$0.2 \times DV_{DD}$		
2	Output voltage	V_{OH}	$I_{OH} = -1\text{ mA}$	DV_{DD} -0.5	—	—	V	MOUT0 to MOUT6, \overline{INT} , DB0 to DB7, XOUT
		V_{OL}	$I_{OL} = 2\text{ mA}$	—	—	0.45		
3	Input current 1	I_{IH1}	$V_{IH} = DV_{DD}$	—	—	2	μA	\overline{WR} , \overline{RD} , \overline{CS} , DB0 to DB7, A0 to A5, \overline{CLR}
		I_{IL1}	$V_{IL} = DGND$	-2	—	—		
4	Input current 2	I_{IH2}	$V_{IH} = AV_{DD}$	—	—	2	μA	ADETIN
		I_{IL2}	$V_{IL} = AGND$	-2	—	—		
5	Input current 3	I_{IH3}	$V_{IH} = DV_{DD}$	—	—	2	μA	\overline{XOUTC} , \overline{IORD} , \overline{IOWR}
6	Pull-up current	I_{pull}	$DV_{DD} = 3\text{ V}$, $V_{IL} = DGND$	3	13	50	μA	
7	Output off-leakage current	I_{OH}	$V_{OH} = AV_{DD}$ During nonmonitoring (Hiz)	—	—	2	μA	MON
		I_{OL}	$V_{OL} = AGND$ During nonmonitoring (Hiz)	-2	—	—		
8	Supply current	I_{DD}	During operation, no load $f = 8.192\text{ MHz}$	—	13	22	mA	AV_{DD} , DV_{DD}
			During power down, no load	—	—	10	μA	

4.2.4 AC Characteristics

No.	Parameter	Symbol*	Condition	Min.	Typ.	Max.	Unit	Applied Pin
1	Write setup time	t_{SWR1}	—	10	—	—	ns	\overline{WR} , \overline{CS} , A0 to A5, DB0 to DB7
		t_{SWR2}	—	120	—	—		
2	Write hold time	t_{HWR}	—	10	—	—	ns	\overline{WR} , \overline{CS} , A0 to A5, DB0 to DB7
3	Write pulse width	t_{WWR}	—	130	—	—	ns	\overline{WR}
4	Read setup time	t_{SRD}	—	10	—	—	ns	\overline{RD} , \overline{CS} , A0 to A5
5	Read hold time	t_{HRD}	—	10	—	—	ns	\overline{RD} , \overline{CS} , A0 to A5
6	Read pulse width	t_{WRD}	—	160	—	—	ns	\overline{RD}
7	Interval between error correction data write and write	t_{IWRWRE}	Error correction	250	—	—	ns	\overline{WR}
8	Interval between error correction data read and read	t_{IRDRDE}	Error correction	250	—	—	ns	\overline{RD}
9	Interval between error correction data write and read	t_{IWRRDE}	Error correction	100	—	—	ns	\overline{WR} , \overline{RD}
10	Interval between layer 4 data clear and write	$t_{ICLRWR4}$	Layer 4 CRC	100	—	—	ns	\overline{WR}
11	Interval between layer 4 data write and write	t_{IWRWR4}	Layer 4 CRC	4.5	—	—	μs	\overline{WR}
12	Interval between layer 4 data write and read	t_{IWRRD4}	Layer 4 CRC	4.5	—	—	μs	\overline{WR} , \overline{RD}
13	Read data output delay (1)	t_{DRD1}	—	—	—	160	ns	\overline{RD} , DB0 to DB7
14	Read data output delay (2)	t_{DRD2}	—	—	—	160	ns	\overline{RD} , DB0 to DB7
15	Interrupt CLR delay	$t_{DINTCLR}$	Step out interrupt Error correction interrupt	250	—	—	ns	\overline{INT} , \overline{WR}
16	Error correction time (Horizontal direction)	t_{ERRL}	—	—	—	274	μs	\overline{INT} , DB0
17	Error correction time (Vertical direction)	t_{ERRV}	—	—	—	2178	μs	\overline{INT} , DB0
18	CLR pulse width	t_{WCLR}	—	200	—	—	ns	\overline{CLR}

* See section 4.3, "TIMING DIAGRAM".

4.2.5 Filter Characteristics

No.	Parameter	Symbol	Condition	Min.	Typ.	Max.	Unit	Applied Pin
1	BPF pass band attenuation	GAIN1	72 to 80 kHz Variable gain amplifier gain: 0 dB	—	—	3.0	dB	MON
2	BPF block band attenuation (1)	GAIN2	0 to 53 kHz Variable gain amplifier gain: 0 dB	50	—	—	dB	MON
3	BPF block band attenuation (2)	GAIN3	100 to 500 kHz Variable gain amplifier gain: 0 dB	50	—	—	dB	MON

4.3 TIMING DIAGRAM

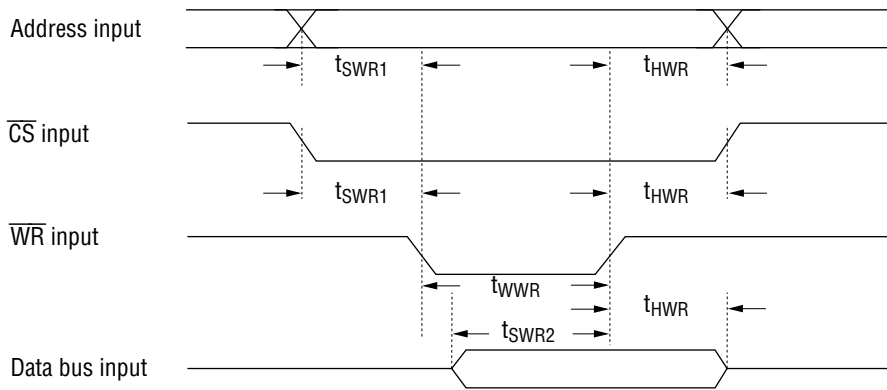


Figure 4.1 Write Timing

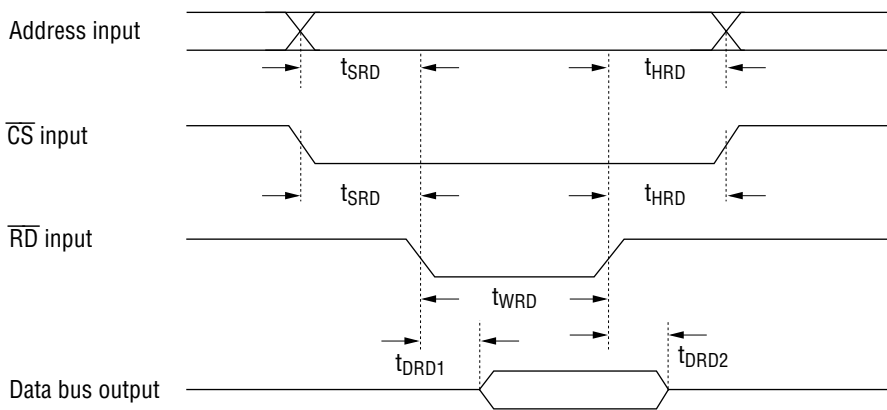


Figure 4.2 Read Timing

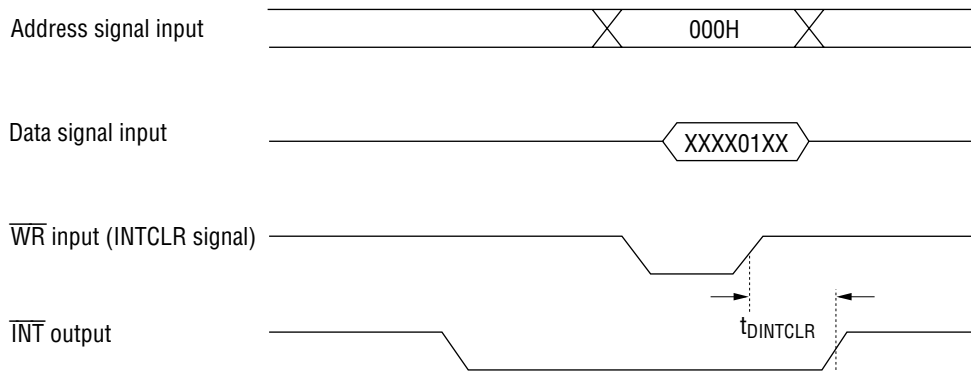


Figure 4.3 Interrupt CLR Timing

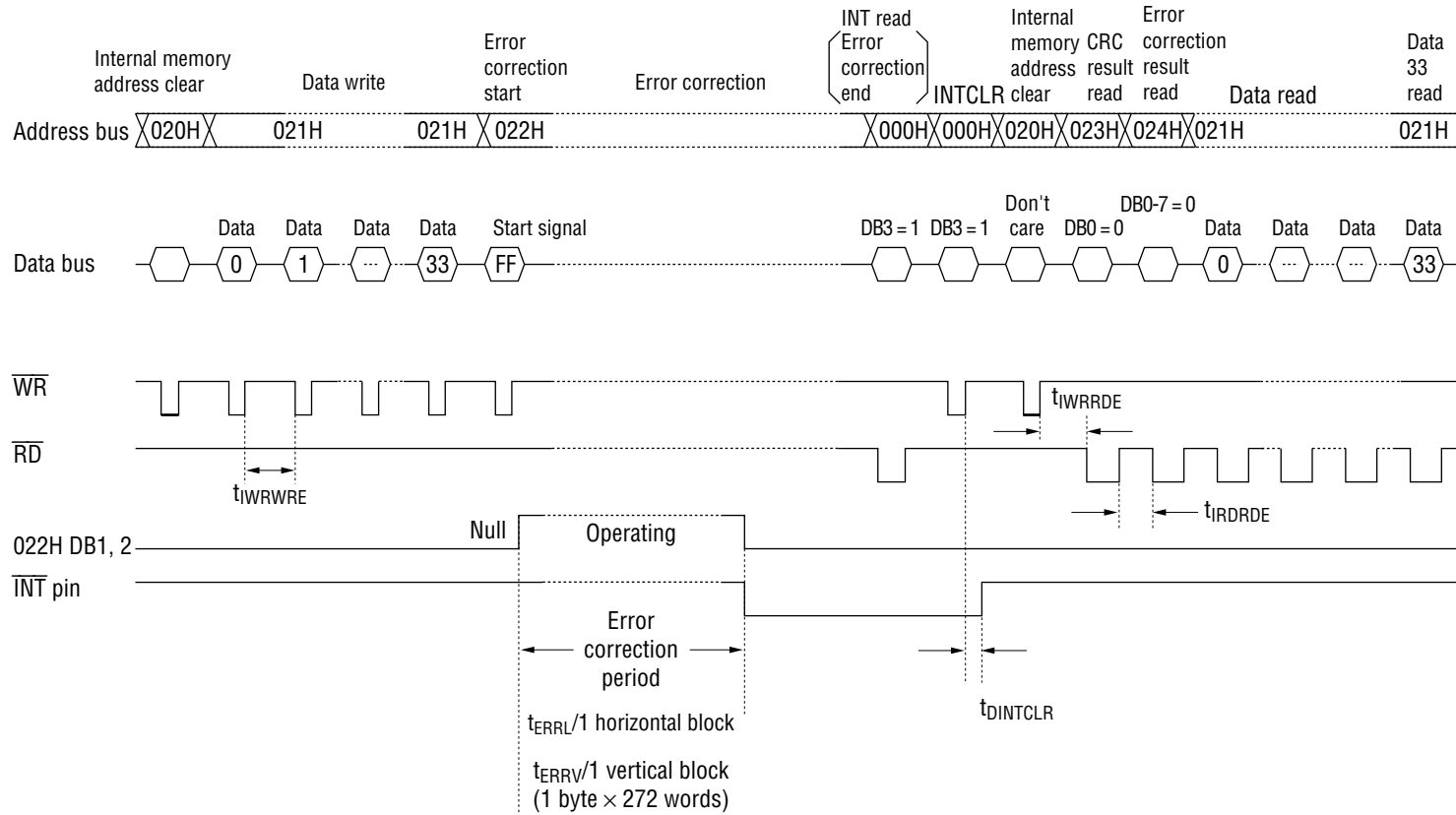


Figure 4.4 Error Correction Timing Diagram

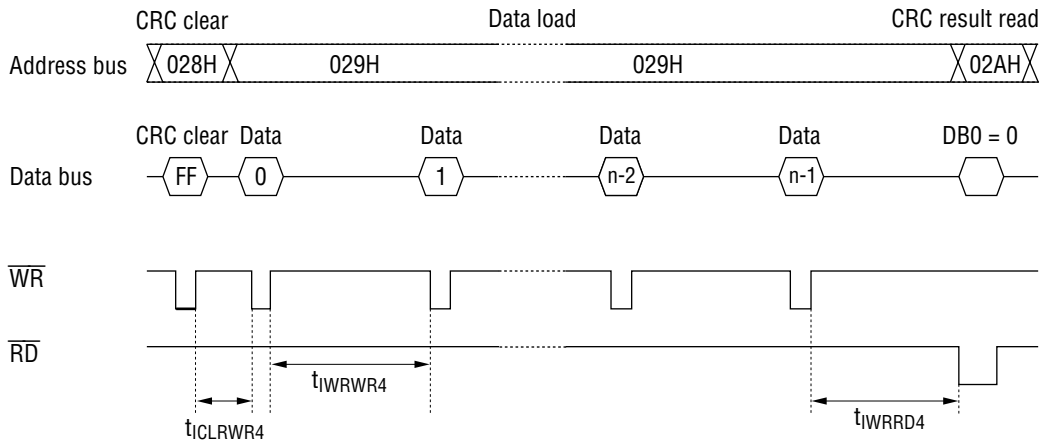


Figure 4.5 Layer 4 CRC Timing Diagram

Chapter 5

CONTROL REGISTERS

5. CONTROL REGISTERS

5.1 INTERRUPT REGISTERS

5.1.1 Interrupt source

These registers indicate the four types of interrupt factors: (1) receive interrupt, (2) 1st horizontal error correction completion, (3) out of sync., and (4) vertical error correction/2nd horizontal error correction completion. When an interrupt occurs, "1" is written. The registers must be externally cleared after reading, however clear conditions are different for each interrupt factor. For details see Table 5.1.1.

Address		DB7	DB6	DB5	DB4	(4)	(3)	(2)	(1)
						DB3	DB2	DB1	DB0
000H	Reset value	—	—	—	—	0	0	0	0
	Read/write (Note)	—	—	—	—	Read/ write	Read/ write	Read/ write	Read/ write

(Note) Write is used to clear the interrupt.
 Write = "1" : clear
 Write = "0" : none

Table 5.1.1 Interrupt Sources

Type	Generation Condition	Generation Cycle	Clear Condition
INT0 Receive interrupt (000H, DB0)	At the time one block is received in a frame/block synchronization state. (Data is received only in a synchronized status; not received in an out-of-sync. state.)	Every time 34 bytes are received (18 ms).	1. Write DB0 = "1" to INT (000H). 2. Clear the $\overline{\text{CLR}}$ pin. (Initial setting)
INT1 1st horizontal error correction completion (000H, DB1)	At the time 1st horizontal error correction is completed.	0.274 ms after 1st error correction start signal is written.	1. Write DB1 = "1" to INT (000H). 2. Clear the $\overline{\text{CLR}}$ pin. (Initial setting)
INT2 Out of synchronization (000H, DB2)	When frame is out of synchronization.	$\left(\frac{272}{4} \times \left(\frac{\text{number of forward}}{\text{protection steps}} + 123 \right) - 13 \right) \times 18 \text{ ms}$ This comes out at 10 to 12 seconds when the number of forward protection steps is 8.	1. Write DB2 = "1" to INT (000H). 2. Clear the $\overline{\text{CLR}}$ pin. (Initial setting)
INT3 Vertical/horizontal 2nd error correction completion (000H, DB3)	At the time error correction is completed.	When the time shown in the table below has elapsed after an error correction start signal is written (see table below).	1. Write DB3 = "1" to INT (000H). 2. Clear the $\overline{\text{CLR}}$ pin. (Initial setting)

	Error	Time	Data
Horizontal	No*	0.138 ms	34 bytes
	Yes	0.274 ms	
Vertical	No*	1.090 ms	272 bytes
	Yes	2.178 ms	

*Error correction is skipped when there is no error.

5.1.2 INT Mask

This register controls interrupt generation.

Address	Read/write	Reset value	DB7	DB6	DB5	DB4	(1)			
			—	—	—	—	DB3	DB2	DB1	DB0
001H	Write		—	—	—	—	0	0	0	0

- (1) DB0-DB3:
 0: INT0-INT3 interrupt disabled
 1: INT0-INT3 interrupt enabled
 INT0: Receive interrupt
 INT1: 1st horizontal error correction completion interrupt
 INT2: Out-of-sync interrupt
 INT3: Vertical/2nd horizontal error correction completion interrupt

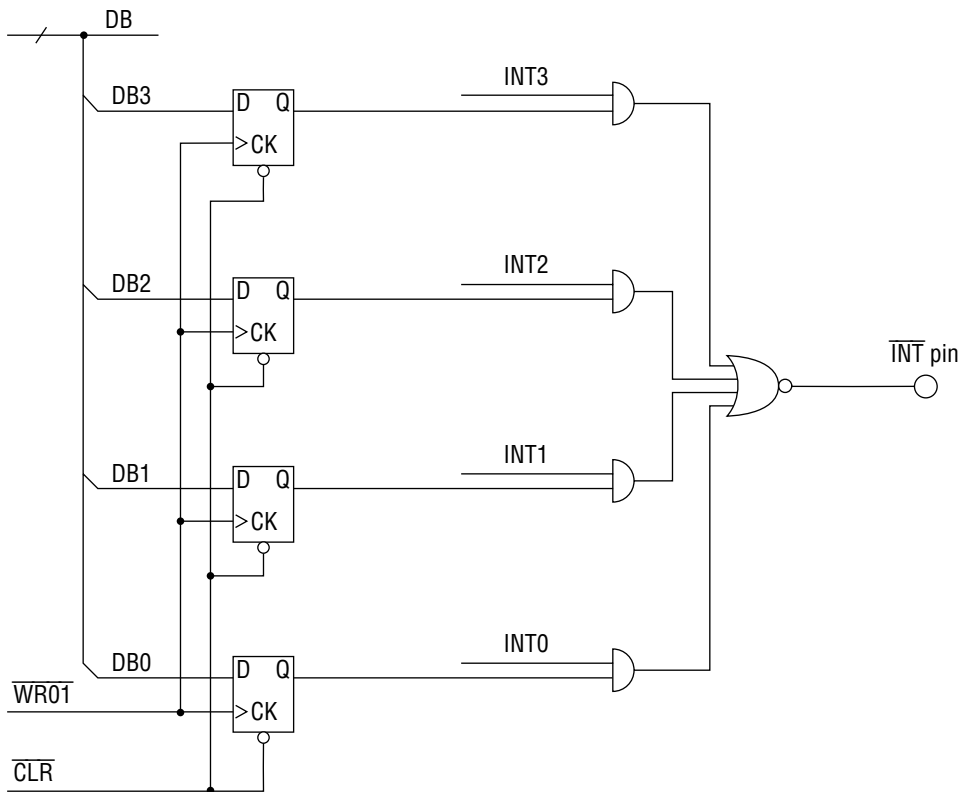


Figure 5.1.1 INT Mask Register

5.2 RECEIVE DATA REGISTERS

5.2.1 Receive Block Status

This register indicates the status of the received block data, which consists of the following:

(1) Frame Number Change, (2) Frame Number, (3) Block Synchronization Status, (4) Parity Block Indication, (5) Frame Synchronization Status, (6) Layer 2 CRC Result, and (7) Real Time Block Indication

Address	Read/write	Reset value	(7)	(6)	(5)	(4)	(3)	(2)	(1)
			DB7	DB6	DB5	DB4	DB3	DB2	DB1
002H	Read		0	0	0	0	0	0	0

(1) DB0: FNCHG (Frame Number Change)

0: No frame number changed

1: "1" is indicated when receive data is the first data (2nd byte) of block number 1, 14, 137, 150 for Method A, and block numbers 1, 61, 131, 191 for Method B.

(2) DB1-DB2: Frame Number

Indicates that the receive data is data of the following block number groups.

		Receive Data	
DB2	DB1	Method B	Method A
0	0	Receive data of block numbers 1 to 13	Receive data of block numbers 1 to 60
0	1	Receive data of block numbers 14 to 136	Receive data of block numbers 61 to 130
1	0	Receive data of block numbers 137 to 149	Receive data of block numbers 131 to 190
1	1	Receive data of block numbers 150 to 272	Receive data of block numbers 191 to 272 (Method A0) Receive data of block numbers 191 to 284 (Method A1)

(3) DB3: Block Synchronization Status

0: Indicates receive data in a block out-of-sync state

1: Indicates receive data in a block sync state

(4) DB4: Parity Block Indication

This bit indication is available only in a frame synchronization state.

0: Receive data is not the data of the parity block.

1: Receive data is of the parity block.

(5) DB5: Frame Synchronization Status Indication

- 0: Receive data is in a frame out of sync state.
- 1: Receive data is in a frame sync state.

(6) DB6: CRC Result Indication

- 0: Indicates that the CRC result for the receive data is normal.
- 1: Indicates that the CRC result for the receive data is an error.

(7) DB7: REAL Block Indication

This indication is used for receive block data in a frame sync state when frame A is set in the frame method register (01FH).

- 0: Receive data is not of the REAL block.
- 1: Receive data is of the REAL block.

5.2.2 Receive Data RAM Port

This port is used for one block receive data RAM of 34 bytes excluding BIC.

When an interrupt occurs, the internal memory addresses are cleared to zero.

Since the next receive data is output at the rising edge of an RD03 signal, 34 bytes can be read successively.

The status of receive data is shown in 5.2.1.

Address	Read/write	Reset value	(1)							
			DB7	DB6	DB5	DB4	DB3	DB2	DB1	DB0
003H	Read		Undefined	Undefined	Undefined	Undefined	Undefined	Undefined	Undefined	Undefined
			b7	b6	b5	b4	b3	b2	b1	b0

5.2.3 Receive RAM, Data Accumulation Condition, and Address Clear

(1) DB1: This register specifies the condition (frame/block synchronization) for accumulating data into the receive RAM.

If any data is written to this register, the receive RAM addresses are cleared to zero.

Write the following data before reading the receive RAM second time and thereafter.

0: Receive data is accumulated in receive RAM when the frame is synchronized.

1: Receive data is accumulated in receive RAM when the block is synchronized.

However, when frame synchronization is entered, receive data is accumulated even if the block is out of sync.

Address	Read/write	Reset value	(1)							
			DB7	DB6	DB5	DB4	DB3	DB2	DB1	DB0
004H	Write		—	—	—	—	—	—	0	—

5.2.4 BIC Monitor

This register indicates the block identification code (BIC) of the block receive data.

Address	Read/Write	Reset value	DB7	DB6	DB5	DB4	DB3	(1)		(2)
								DB2	DB1	DB0
007H	Read		—	—	—	—	—	0	0	0

- (1) DB2: When BIC is detected, "1" is indicated.
- (2) DB0 - DB1: The detected BIC is output as shown below.

DB1	DB0	BIC number
0	0	BIC 1
0	1	BIC 2
1	0	BIC 3
1	1	BIC 4

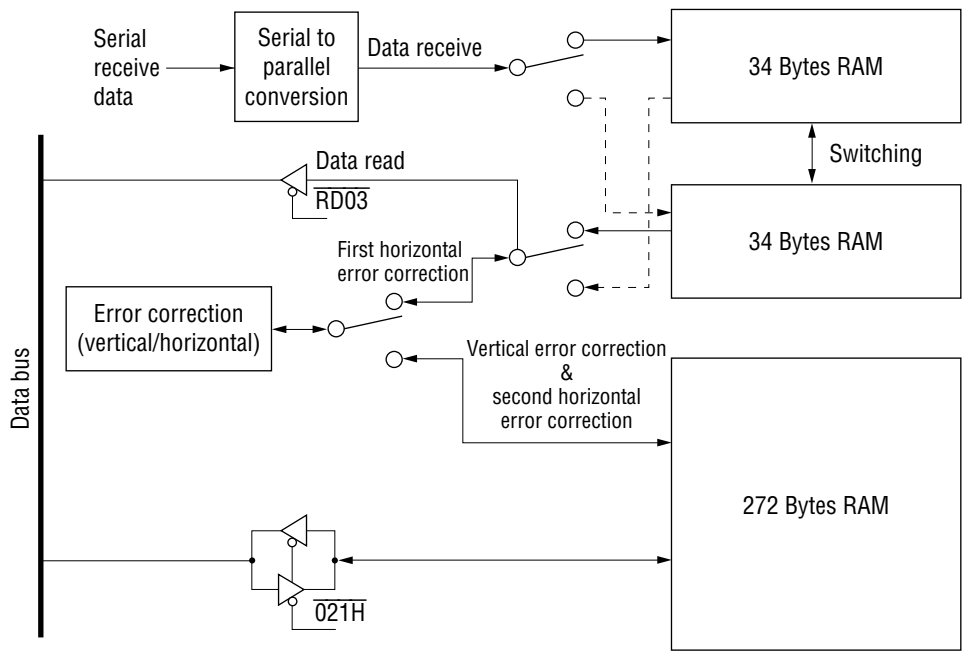


Figure 5.2.1 Receive RAM Configuration

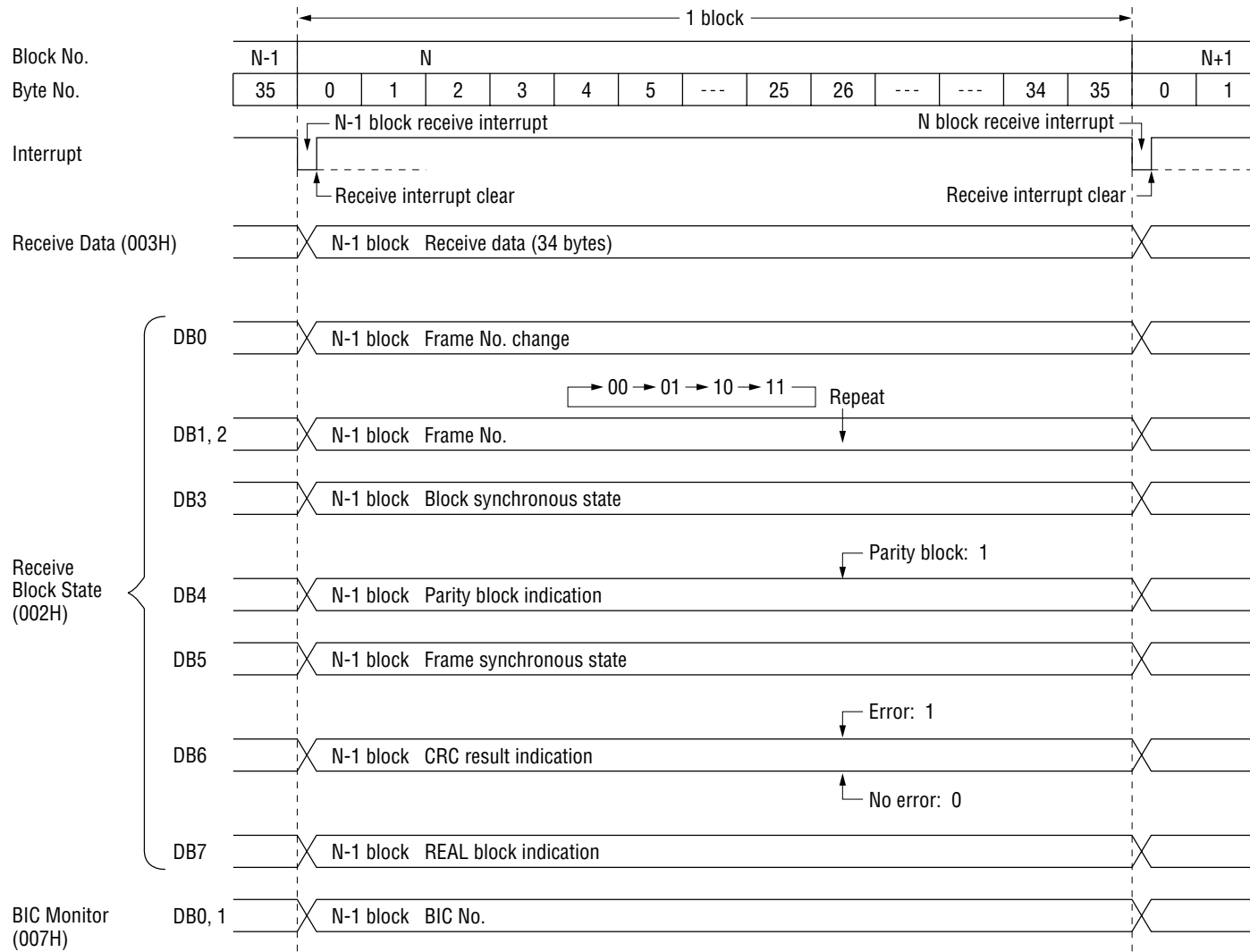


Figure 5.2.2 Receive Data Timing Diagram

5.3 CLOCK REGENERATION REGISTERS

5.3.1 Fixed Phase Adjustment

This register adjusts the phase of a 16 kHz data sampling clock in 1/125 steps within the range of $-1/5$ to $+24/125$. This register is used for initial settings.

Address	Read/write	Reset value	(3)	(2)			(1)			
			DB7	DB6	DB5	DB4	DB3	DB2	DB1	DB0
008H	Write		—	0	0	0	0	0	0	0

(1) DB0-DB2: Phase delay settings in 1/125 steps

DB2	DB1	DB0	Phase Delay Setup Value
0	0	0	0/125
0	0	1	1/125
0	1	0	2/125
0	1	1	3/125
1	0	0	4/125
1	0	1	Inhibit
1	1	0	Inhibit
1	1	1	Inhibit

(2) DB3-DB5: Phase delay settings in 1/25 steps

DB5	DB4	DB3	Phase Delay Setup Value
0	0	0	0/25
0	0	1	1/25
0	1	0	2/25
0	1	1	3/25
1	0	0	4/25
1	0	1	Inhibit
1	1	0	Inhibit
1	1	1	Inhibit

(3) DB6: Phase advance setting in 1/5 steps

DB6	Phase Lead Setup Value
0	0
1	1/5

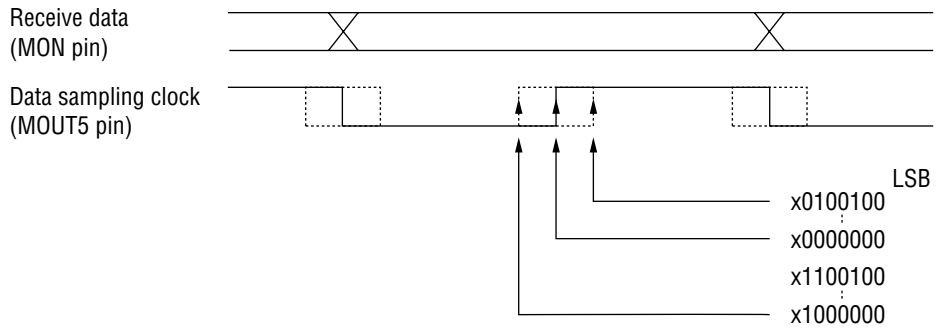


Figure 5.3.1 Phase Adjustment

5.3.2 Bit Gate

This register sets the gate width centered around the rising edge of the data clock. Gate width can be changed depending on parameters set before and after block synchronization.

This function is for varying the constant of integration for the clock sampling timing detected inside and outside the gate. This register is used for initial settings.

Address	Read/write	Reset value	DB7	DB6	DB5	DB4	(2)		(1)	
			—	—	—	—	DB3	DB2	DB1	DB0
009H	Write		—	—	—	—	0	0	0	0

(1) DB0-DB1: Before block synchronization

(2) DB2-DB3: After block synchronization

After Block Synchronization		Before Block Synchronization		Gate	
DB3	DB2	DB1	DB0		
0	0	0	0	Gate 0	
0	1	0	1	Gate 1	±10%
1	0	1	0	Gate 2	±20%
1	1	1	1	Gate 3	±30%

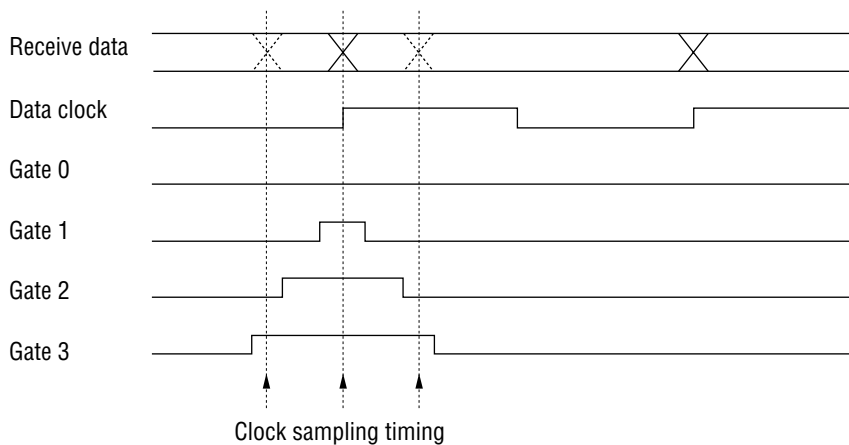


Figure 5.3.2 Clock Sampling Gate

5.3.3 Integration Constant

This register sets the timing sampling count required for phase control. The parameters are before and after block synchronization, and inside and outside the gate. This register is used for initial settings.

(1) Integration constant before block synchronization, outside the gate (0-15)

Address	Read/write	Reset value	DB7	DB6	DB5	DB4	DB3	DB2	DB1	DB0
00AH	Write		—	—	—	—	0	0	1	0

(2) Integration constant before block synchronization, inside the gate (0-15)

Address	Read/write	Reset value	DB7	DB6	DB5	DB4	DB3	DB2	DB1	DB0
00BH	Write		—	—	—	—	0	0	1	0

(3) Integration constant after block synchronization, outside the gate (0-63)

Address	Read/write	Reset value	DB7	DB6	DB5	DB4	DB3	DB2	DB1	DB0
00CH	Write		—	—	0	1	1	0	0	0

(4) Integration constant after block synchronization, inside the gate (0-63)

Address	Read/write	Reset value	DB7	DB6	DB5	DB4	DB3	DB2	DB1	DB0
00DH	Write		—	—	0	1	1	0	0	0

5.3.4 Phase Correction Step

This register sets the phase correction step width of DPLL used for data clock regeneration. This register can be used to adjust data clock supply speeds or data clock jitter control. Phase correction step widths can be changed depending on parameters set before or after block synchronization. This register is used for initial settings.

Address	Read/write	Reset value					(2)		(1)	
			DB7	DB6	DB5	DB4	DB3	DB2	DB1	DB0
00EH	Write		—	—	—	—	0	1	0	1
							b1	b0	b1	b0

Time constants can be set as shown in Table 5.3.1 by combining the integration constants shown in Sections 5.3.3 and 5.3.4.

Table 5.3.1 Phase Correction Step

Integration Constant			After Block Synchronization												
			Before Block Synchronization												
			1	2	---	4	---	8	---	16	---	32	---	64	
b 1	b 0	Phase Correction Step	1/4 MHz (= 0.4% = 4000 ppm)	4000 ppm	2000 ppm	---	1000 ppm	---	500 ppm	---	250 ppm	---	125 ppm	---	62.5 ppm
			Packet count required for a 1-bit phase displacement	0.69 Packet	1.38 Packet	---	2.77 Packet	---	5.55 Packet	---	11.1 Packet	---	22.2 Packet	---	44.4 Packet
0	0	Phase Correction Step	2/4 MHz (= 0.8% = 8000 ppm)	8000 ppm	4000 ppm	---	2000 ppm	---	1000 ppm	---	500 ppm	---	250 ppm	---	125 ppm
			Packet count required for a 1-bit phase displacement	0.34 Packet	0.69 Packet	---	1.38 Packet	---	2.77 Packet	---	5.55 Packet	---	11.1 Packet	---	22.2 Packet
1	0	Phase Correction Step	4/4 MHz (= 1.6% = 16000 ppm)	16000 ppm	8000 ppm	---	4000 ppm	---	2000 ppm	---	1000 ppm	---	500 ppm	---	250 ppm
			Packet count required for a 1-bit phase displacement	0.17 Packet	0.34 Packet	---	0.69 Packet	---	1.38 Packet	---	2.77 Packet	---	5.55 Packet	---	11.1 Packet
1	1	Phase Correction Step		0.17 Packet	0.34 Packet	---	0.69 Packet	---	1.38 Packet	---	2.77 Packet	---	5.55 Packet	---	11.1 Packet

5.4 BLOCK SYNCHRONIZATION REGISTERS

5.4.1 Allowable Number of BIC Error Bits

This register specifies how many erroneous bits can be allowed in the block identification code (BIC). Values can be changed depending on parameter values before and after block synchronization. This register is used for initial settings.

Address	Read/write	Reset value	DB7	DB6	DB5	DB4	(2)		(1)	
							DB3	DB2	DB1	DB0
010H	Write		—	—	—	—	0	1	1	0

(1) Allowable number of erroneous BIC bits before block synchronization

DB1	DB0	Allowable Number of Erroneous Bits in BIC Before Block Synchronization
0	0	0
0	1	1
1	0	2
1	1	3

(2) Allowable number of erroneous BIC bits after block synchronizaiton

DB3	DB2	Allowable Number of Erroneous Bits in BIC After Block Synchronization
0	0	0
0	1	1
1	0	2
1	1	3

5.4.2 Number of Block Synchronization Backward Protection Steps

This register specifies the number of block synchronization backward protection steps. When block identification codes (BICs) are successively detected for a specified number of times, the internal bit counter and the bit position of the block (0-287) are synchronized. This register is used for initial settings.

Address	Read/write	Reset value	(1)							
			DB7	DB6	DB5	DB4	DB3	DB2	DB1	DB0
011H	Write		—	—	—	—	—	—	0	1

(1) DB0-DB1: Number of block synchronization backward protection steps

DB1	DB0	Block proving in synchronization step count
0	0	Inhibit
0	1	2
1	0	3
1	1	4

5.4.3 Number of Block Synchronization Forward Protection Steps

This register specifies the number of block synchronization forward protection steps. If BICs cannot be detected successively for a specified number of times after block synchronization, the block is regarded as out of synchronization. This register is used for initial settings.

Address	Read/write	Reset value	(1)							
			DB7	DB6	DB5	DB4	DB3	DB2	DB1	DB0
012H	Write		—	—	—	—	1	0	0	0

(1) DB0-DB3: Number of block synchronization forward protection steps

DB3	DB2	DB1	DB0	Number of Block Synchronization Forward Protection Steps
0	0	0	0	0 (Inhibit)
0	0	0	1	1
⋮	⋮	⋮	⋮	⋮
1	1	1	1	15

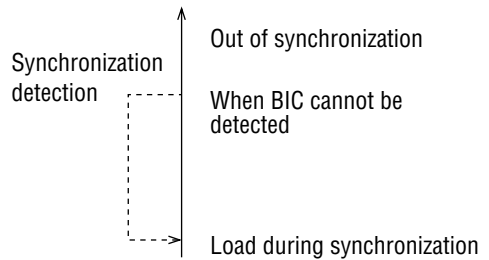
5.4.4 Block Synchronization Monitor

- (1) Block synchronization monitoring register (DB0)
- (2) Registers to monitor the number of block synchronization forward protection steps (DB4-DB7). Both (1) and (2) are used for testing.

Address	Read/write	Reset value	(2)				(1)			
			DB7	DB6	DB5	DB4	DB3	DB2	DB1	DB0
013H	Read		0	0	0	0	—	—	—	0

- (1) DB0: Monitors block synchronization status.
 0: block out-of-synchronization
 1: block synchronized
- (2) DB4-DB7: Monitors the number of block synchronization forward protection steps. While a block is synchronized, if a BIC is not detected in a number of successive attempts, the number of attempts is decremented from the set number of block synchronization forward protection steps; when all the values of DB4 to DB7 change from 1 to 0, it is judged that the block is out of synchronization.

DB7	DB6	DB5	DB4	Remaining Number of Block Synchronization Forward Protection Steps
0	0	0	0	0
0	0	0	1	1
⋮	⋮	⋮	⋮	⋮
1	1	1	1	15



5.4.5 Block Synchronization Set

This register forcibly sets block synchronization, and is used for testing.

Address	Read/write	Reset	DB7	DB6	DB5	DB4	DB3	DB2	DB1	DB0
014H	Write	value	x	x	x	x	x	x	x	x

x : don't care

5.4.6 Block Synchronization Clear

This register forcibly sets block out-of-synchronization. This setting is effective when a channel is changed, in clearing a previous synchronizing status, to permit faster synchronization for the new channel.

Address	Read/write	Reset	DB7	DB6	DB5	DB4	DB3	DB2	DB1	DB0
015H	Write	value	x	x	x	x	x	x	x	x

x : don't care

5.4.7 Bit Number Monitor

These registers monitor bit numbers. They are used for testing.

DB0 of the 017H register is MSB, and DB0 of the 016H register is LSB. Numbers 0 to 287 are displayed.

Address	Read/write	Reset	DB7	DB6	DB5	DB4	DB3	DB2	DB1	DB0
016H	Read	value	0	0	0	0	0	0	0	0
			b7	b6	b5	b4	b3	b2	b1	b0

Address	Read/write	Reset	DB7	DB6	DB5	DB4	DB3	DB2	DB1	DB0
017H	Read	value	—	—	—	—	—	—	—	0
										b8

5.5 FRAME SYNCHRONIZATION REGISTERS

5.5.1 Number of Frame Synchronization Backward Protection Steps

This register specifies the number of times that synchronization points required for frame synchronization have to be detected in succession in order for the frame to be judged as being synchronized. When the block number changing points (= frame synchronization points: 272→1, 13→14, 136→137, and 149→150, under format B) are detected the same number of times as the specified number of successive steps (number of frame synchronization backward protection steps), frame synchronization is entered and the internal frame counter is synchronized with the detected block number.

Address	Read/write	Reset value	(1)							
			DB7	DB6	DB5	DB4	DB3	DB2	DB1	DB0
018H	Write		—	—	—	—	—	—	0	1

(1) DB0-DB1: Number of frame synchronization backward protection steps

DB1	DB0	Number of Frame Synchronization Backward Protection Steps
0	0	1
0	1	2
1	0	3
1	1	4

5.5.2 Number of Frame Synchronization Forward Protection Steps

This register specifies the number of times that successive unsuccessful attempts to detect the synchronization points required for frame synchronization that will cause a judgment that a frame is out of synchronization.

After frame synchronization, if the block number changing points (= frame synchronization points: 272→1, 13→14, 136→137, and 149→150, under format B) are not detected the same number of times as the specified number of successive steps (number of frame synchronization forward protection steps), the frame will be out of synchronization to terminate data reception. This register is used for initial settings.

Address	Read/write	Reset value	(1)							
			DB7	DB6	DB5	DB4	DB3	DB2	DB1	DB0
019H	Write		—	—	—	—	0	1	0	0

(1) DB0-DB3: Number of frame synchronization forward protection steps

DB3	DB2	DB1	DB0	Number of Frame Synchronization Forward Protection Steps
0	0	0	0	0 (Inhibit)
0	0	0	1	1
⋮	⋮	⋮	⋮	⋮
1	1	1	1	15

5.5.3 Frame Synchronization Monitor

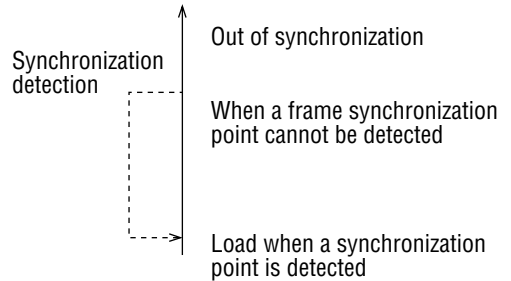
- (1) Frame synchronization monitoring register (DB1)
- (2) Register for monitoring the number of frame synchronization forward protection steps (DB4-DB7)

Both (1) and (2) are for testing.

Address	Read/write	Reset value	(2)				(1)			
			DB7	DB6	DB5	DB4	DB3	DB2	DB1	DB0
01AH	Read		0	0	0	0	—	—	0	—

- (1) DB1: Monitors frame synchronization status.
 0: frame out-of-synchronization
 1: frame synchronized
- (2) DB4-DB7: Monitors the number of frame synchronization forward protection steps. While a frame is synchronized, when successive attempts to detect frame synchronization points fail, that number of attempts is decremented from the set number of frame synchronization forward protection steps; when all the values of DB4 to DB7 change from 1 to 0, the frame is judged to be out of synchronization.

DB7	DB6	DB5	DB4	Remaining Number of Frame Synchronization Forward Protection Steps
0	0	0	0	0
0	0	0	1	1
⋮	⋮	⋮	⋮	⋮
1	1	1	1	15



5.5.4 Frame Synchronization Set

This register forcibly sets frame synchronization and is used for testing.

Address	Read/write	Reset	DB7	DB6	DB5	DB4	DB3	DB2	DB1	DB0
01BH	Write	value	X	X	X	X	X	X	X	X

x : don't care

5.5.5 Frame Synchronization Clear

This register forcibly sets frame out-of-synchronization. This function is effective when a channel is changed, in clearing a previous synchronizing status, to permit faster synchronization for the new channel.

Address	Read/write	Reset	DB7	DB6	DB5	DB4	DB3	DB2	DB1	DB0
01CH	Write	value	X	X	X	X	X	X	X	X

x : don't care

5.5.6 Block Number Monitor

These registers monitor block numbers and are used for testing.

DB0 of 01EH register is MSB, and DB0 of 01DH register is LSB. Numbers 0 to 271 are displayed.

Address	Read/write	Reset	DB7	DB6	DB5	DB4	DB3	DB2	DB1	DB0
01DH	Read	value	0	0	0	0	0	0	0	0
			b7	b6	b5	b4	b3	b2	b1	b0

Address	Read/write	Reset	DB7	DB6	DB5	DB4	DB3	DB2	DB1	DB0
01EH	Read	value	—	—	—	—	—	—	—	0
										b8

5.5.7 Frame Format Specification

Address	Read/Write	Reset value	DB7	DB6	DB5	DB4	DB3	DB2	DB1	DB0
01FH	Write		—	—	—	—	—	—	1	0

B1	B0	Frame Format	Symbol	Note
0	0	Format A	A0	—
0	1		A1	Including realtime information block.
1	0	Format B	B	Japan, FMSS
1	1	Format C	C	—

5.6 ERROR CORRECTION REGISTERS

5.6.1 Internal Memory Address Counter Clear

This command clears the address counter of internal memory (set to 0) before writing and reading an error correction data block. Since error correction is executed sequentially from address 0 of internal memory, the internal memory address counter must be cleared before writing.

After error correction, it is necessary to clear the internal memory address counter to read data sequentially from address 0 of internal memory.

Address	Read/write	Reset	DB7	DB6	DB5	DB4	DB3	DB2	DB1	DB0
020H	Write	value	x	x	x	x	x	x	x	x

x : don't care

5.6.2 Data Transfer Port for Error Correction

This port writes data before error correction and reads data after error correction.

When correcting an error in a horizontal (vertical) direction after clearing the internal memory address counter, write 34 (272) bytes of data to this port.

After correcting an error in a horizontal (vertical) direction, clear the internal memory address counter, then read 34 (272) bytes of data from this port.

When reading or writing data for this port, it is unnecessary to specify the horizontal (vertical) direction error correction mode.

Address	Read/write	Reset	DB7	DB6	DB5	DB4	DB3	DB2	DB1	DB0
021H	Read/write	value	Undefined	Undefined	Undefined	Undefined	Undefined	Undefined	Undefined	Undefined
			b7	b6	b5	b4	b3	b2	b1	b0

5.6.3 Error Correction Start Signal

When start action specification data is written into DB0 to DB2, error correction starts in the specified mode. When error correction is completed, an interrupt is generated.
The operation status of the error correction circuit can be monitored by this register.

Address	Read/write	Reset value	DB7	DB6	DB5	DB4	DB3	DB2	DB1	DB0
			—	—	—	—	—	0	0	0

(1) DB0 - DB2 (Write) : Error correction start mode specification

DB2	DB1	DB0	Start Action (write)
0	0	1	Horizontal error correction of receive block data (at address 003H on the 34-byte RAM) starts. Corrected data is written to address 003H on the RAM.
0	1	0	Vertical error correction of data written in address 021H on the 272-byte RAM starts. Corrected data is written in address 021H on the RAM.
1	0	0	Horizontal error correction of data written in address 021H on the 34-byte RAM starts. Corrected data is written in address 021H on the RAM.

(2) DB0 - DB2 (Read) : Monitor

The data written in this register can be used to monitor the error correction circuit operation status because the data is cleared after error correction is complete.

DB0: Displays the operation status of the horizontal error correction for receive block data.

DB1: Displays the operation status of the vertical error correction.

DB2: Displays the operation status of the 2nd horizontal error correction.

for each of these bits:

0: Error correction circuit is idle.

1: Error correction circuit is in operation.

5.6.4 CRC Result Indication

This register indicates a 14-bit CRC result. When horizontal direction error correction is executed, a 14-bit CRC is performed internally on corrected data and the result is indicated. This register is cleared immediately after error correction starts.

Address	Read/write	Reset value	(1)								
			DB7	DB6	DB5	DB4	DB3	DB2	DB1	DB0	
023H	Read	value	—	—	—	—	—	—	—	—	0

DB0: 14-bit CRC result

0: Normal

1: Error

5.6.5 Error Correction Result Indication

This register indicates an error correction result.

If syndrome registers are all 0 after error correction, this register indicates a normal status. If not, it indicates an error. This register is cleared immediately after error correction starts.

In the case of a horizontal-direction correction, the result is indicated at DB7. In the case of a vertical-direction correction, the result is indicated at DB0-DB7 corresponding to bits 0-7.

Address	Read/write	Reset value	(2)								
			DB7	DB6	DB5	DB4	DB3	DB2	DB1	DB0	
024H	Read	value	0	0	0	0	0	0	0	0	0

(1) DB7: Horizontal-direction error correction result

0: Normal

1: Error

(2) DB0-DB7: Vertical direction error correction result (corresponding to bits 0-7)

0: Normal

1: Error

5.6.6 Majority Logic Threshold Value

This register sets the majority logic threshold value for error correction. The setup range is 1 to 17. This register is used for initial settings.

Address	Read/write	Reset value	DB7	DB6	DB5	DB4	DB3	DB2	DB1	DB0
025H	Write		—	—	—	0	1	0	0	0

DB4	DB3	DB2	DB1	DB0	Majority Logic Threshold Value
0	0	0	0	0	Inhibit
0	0	0	0	1	1
∫	∫	∫	∫	∫	∫
0	1	0	0	0	8
∫	∫	∫	∫	∫	∫
0	1	1	1	1	15
1	0	0	0	0	16
1	0	0	0	1	17

5.6.7 Internal Address Monitor

This register indicates the addresses (0-271) of internal memory for error correction. This is used for testing.

(1)

Address	Read/write	Reset value	DB7	DB6	DB5	DB4	DB3	DB2	DB1	DB0
026H	Read		0	0	0	0	0	0	0	0
			b7	b6	b5	b4	b3	b2	b1	b0

Address	Read/write	Reset value	DB7	DB6	DB5	DB4	DB3	DB2	DB1	DB0
027H	Read		—	—	—	—	—	—	—	0
										b8

- Error correction involves external RAM, a microcontroller and MSM9552/9553.
- Transfer data in error correction units (horizontal direction equals 34 bytes, vertical direction equals 272 bytes) from external memory to the internal buffer of the MSM9552/9553. Error correction is then executed. Transfer data after error correction from the internal buffer to external memory.

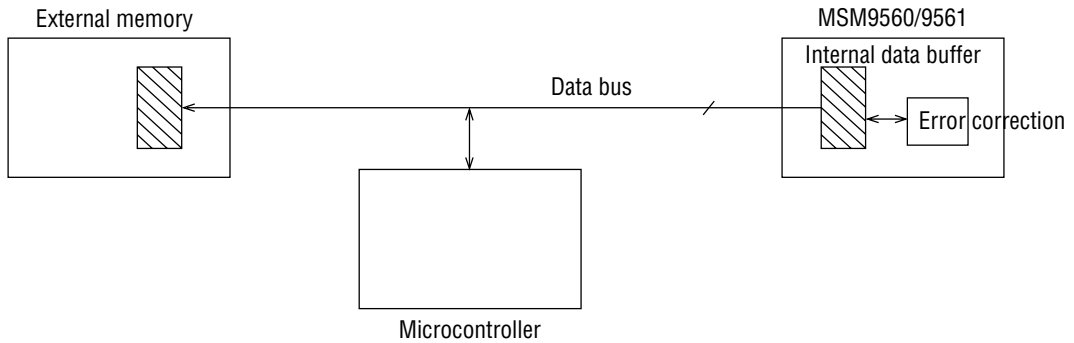
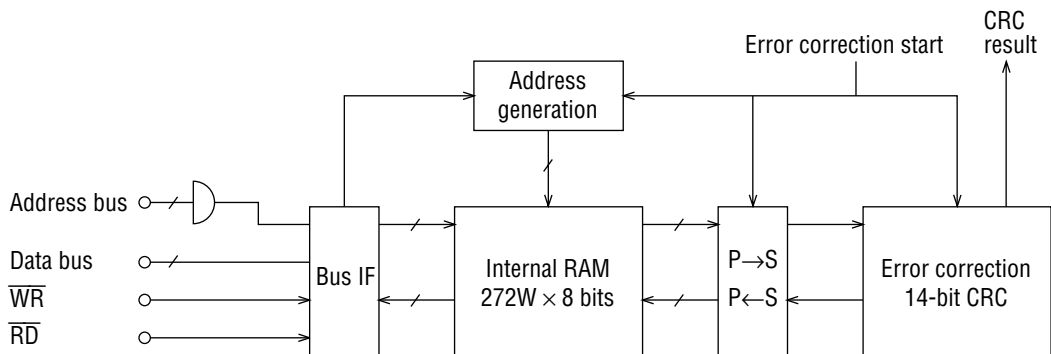


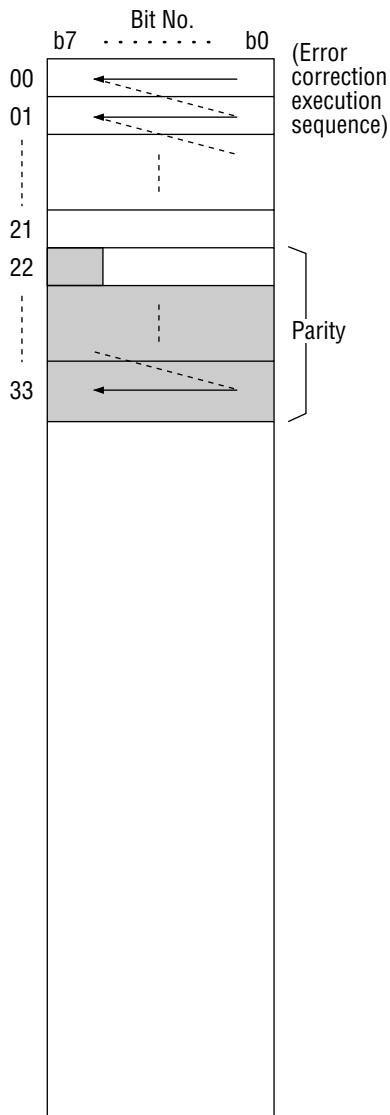
Figure 5.6.1 General Configuration of Error Correction



Note: CRC is executed on data after horizontal-direction error correction.

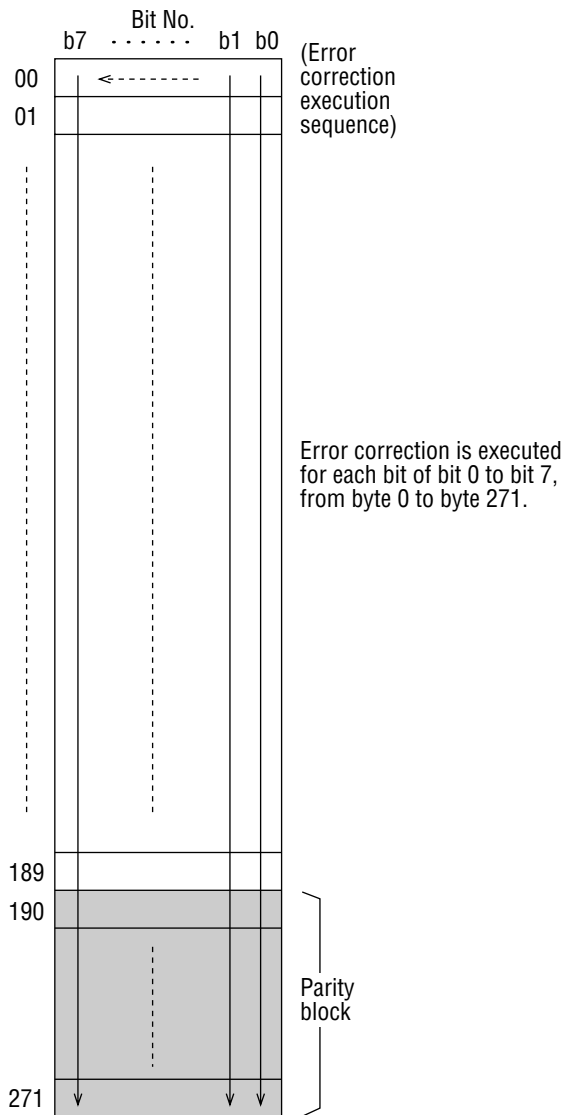
Figure 5.6.2 Configuration of Error Correction Section

Internal data memory address



Horizontal direction error correction

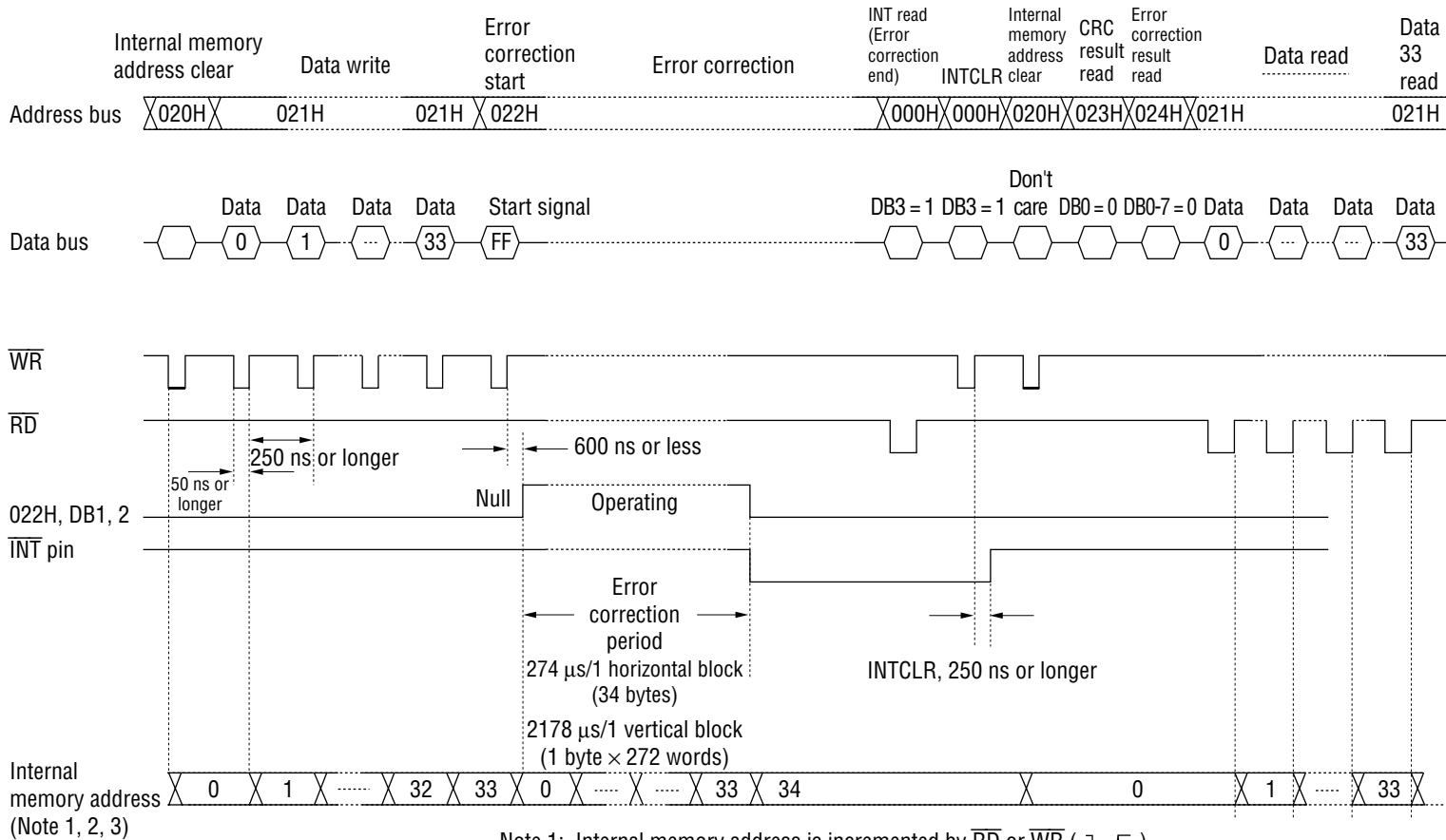
Internal data memory address



Error correction is executed for each bit of bit 0 to bit 7, from byte 0 to byte 271.

←
Eight times
Vertical-direction error correction

Figure 5.6.3 Error Correction Sequence



Note 1: Internal memory address is incremented by \overline{RD} or \overline{WR} (\downarrow).

Note 2: Internal memory address counter is automatically cleared only when error correction starts.

Note 3: Internal memory address can be monitored. (The address is the one to be read/written the next time.)

Figure 5.6.4 Error Correction Timing Diagram

5.7 LAYER 4 CRC REGISTERS

5.7.1 Layer 4 CRC Register Clear

This command clears the CRC register and sets all of its contents to 0 before layer 4 CRC processing. Execute this command once before reading the data group on which CRC processing is to be performed.

Address	Read/write	Reset	DB7	DB6	DB5	DB4	DB3	DB2	DB1	DB0
028H	Write	value	x	x	x	x	x	x	x	x

x : don't care

5.7.2 Layer 4 CRC Data Buffer

Write the data group on which CRC processing is to be performed in byte units with a cycle of 4.5 μ s or longer. The data written inside the IC is loaded to the CRC operation register and a shift operation is executed (eight times). The system then waits for the next data input.

Address	Read/write	Reset	DB7	DB6	DB5	DB4	DB3	DB2	DB1	DB0
029H	Write	value	0	0	0	0	0	0	0	0

5.7.3 Layer 4 CRC Result Indication

This register indicates a layer 4 CRC result. After the last data of a data block is written, pause for at least 4.5 μ s before reading.

Address	Read/write	Reset	DB7	DB6	DB5	DB4	DB3	DB2	DB1	DB0
02AH	Read	value	—	—	—	—	—	—	—	0

- (1) DB0: layer 4 CRC result
 0: Normal
 1: Error

5.7.4 Layer 4 CRC Register

This register is used for writing initial values directly to the CRC operation register , and reading values which are still in progress.

With this function, layer 4 CRC processing for multiple data groups can be performed in parallel. For example, CRC processing for a short data group can be inserted while CRC processing for a long data group is in progress.

(1) Layer 4 CRC register high-order 8 bits

Address	Read/write	Reset value	DB7	DB6	DB5	DB4	DB3	DB2	DB1	DB0
02BH	Read/write		0	0	0	0	0	0	0	0
			b7	b6	b5	b4	b3	b2	b1	b0

(2) Layer 4 CRC register low-order 8 bits

Address	Read/write	Reset value	DB7	DB6	DB5	DB4	DB3	DB2	DB1	DB0
02CH	Read/write		0	0	0	0	0	0	0	0
			b15	b14	b13	b12	b11	b10	b9	b8

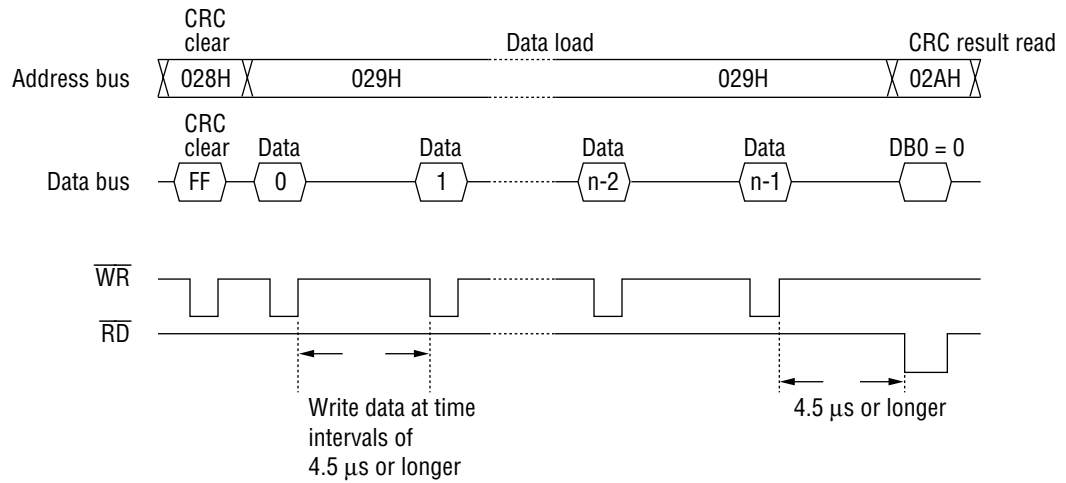
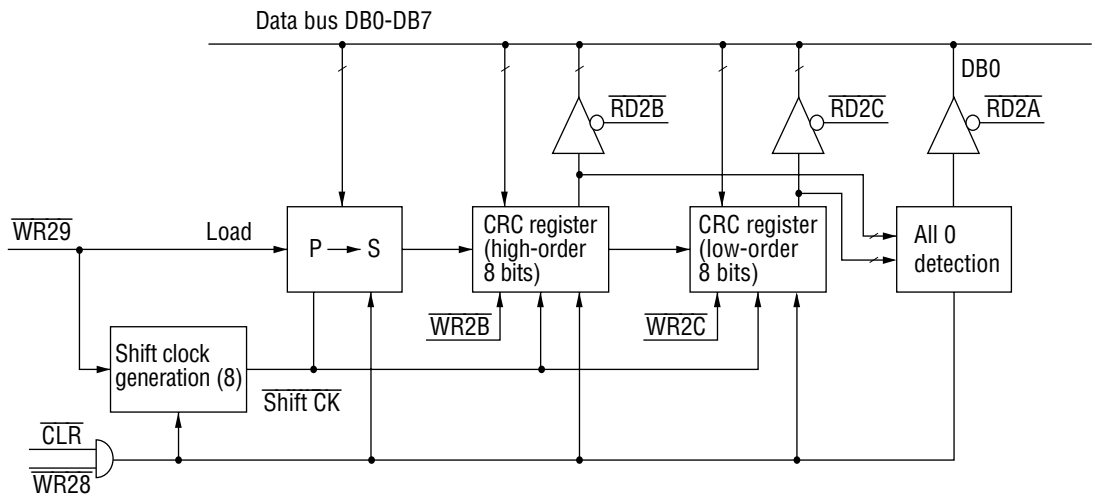


Figure 5.7.1 Layer 4 CRC Block Diagram and Timing Diagram

5.8 ANALOG SECTION CONTROL/MONITOR REGISTER

This register is used for level adjustment of the analog input signal (composite signal) and analog section test mode settings.

Address	Read/write	Reset value	(3)			(2)		(1)	
			DB7	DB6	DB5	DB4	DB3	DB2	DB1
030H	Write		—	—	0	0	0	0	0

(1) DB0: DETC

Controls the input of analog input pin ADETIN.

0: Disables the input of analog input pin ADETIN, so that the input buffer amplifier is powered down (during FM multiplex broadcast reception).

1: Enables the input of analog input pin ADETIN, so that the input buffer amplifier is powered on.

The connections are switched as follows (available for input of a 16 kbps digital test signal) :

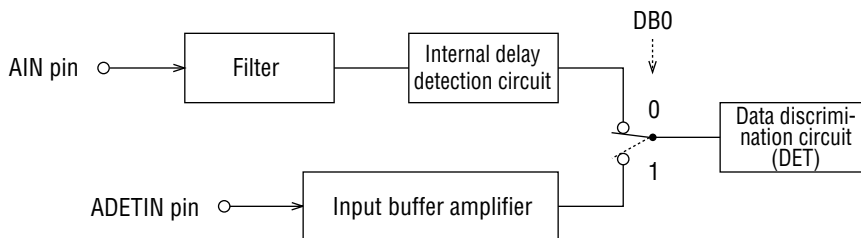


Figure 5.8.1 Switching Analog Input Pins

(2) DB1-DB2: SGAIN0, SGAIN1

This register is used for gain switching for the variable gain amplifier for analog input signal. These signals are used for initial settings.

Set the values of DB1 and DB2 so that the following expression is satisfied:

$$\text{Peak value of the analog input signal (composite signal)} \times \text{gain} = 1.5 \text{ to } 2.0 \text{ V}_{\text{P-P}} \text{ (MSM9552)}$$

$$= 0.5 \text{ to } 0.9 \text{ V}_{\text{P-P}} \text{ (MSM9553)}$$

This is effective for improving the S/N ratio.

SGAIN1	SGAIN0	Gain
DB2	DB1	
0	0	× 1
0	1	× 1.5
1	0	× 2
1	1	× 3

(3) DB3-DB5: M0-M2

Monitors internal filter output waveforms and controls MON pin (pin 1) output. Refer to Figure 5.8.2 for the part that can be monitored. After clear, the internal MON amplifier is powered OFF and the output becomes high impedance.

(M2) DB5	(M1) DB4	(M0) DB3	MON Pin (pin 1) Output
0	0	0	Internal monitor amplifier power off, high impedance output
0	0	1	① LPF output of input stage
0	1	0	② BPF internal waveform 1
0	1	1	③ BPF internal waveform 2
1	0	0	④ BPF internal waveform 3
1	0	1	⑤ BPF output
1	1	0	⑥ Internal amplifier output
1	1	1	⑦ Delay detection output

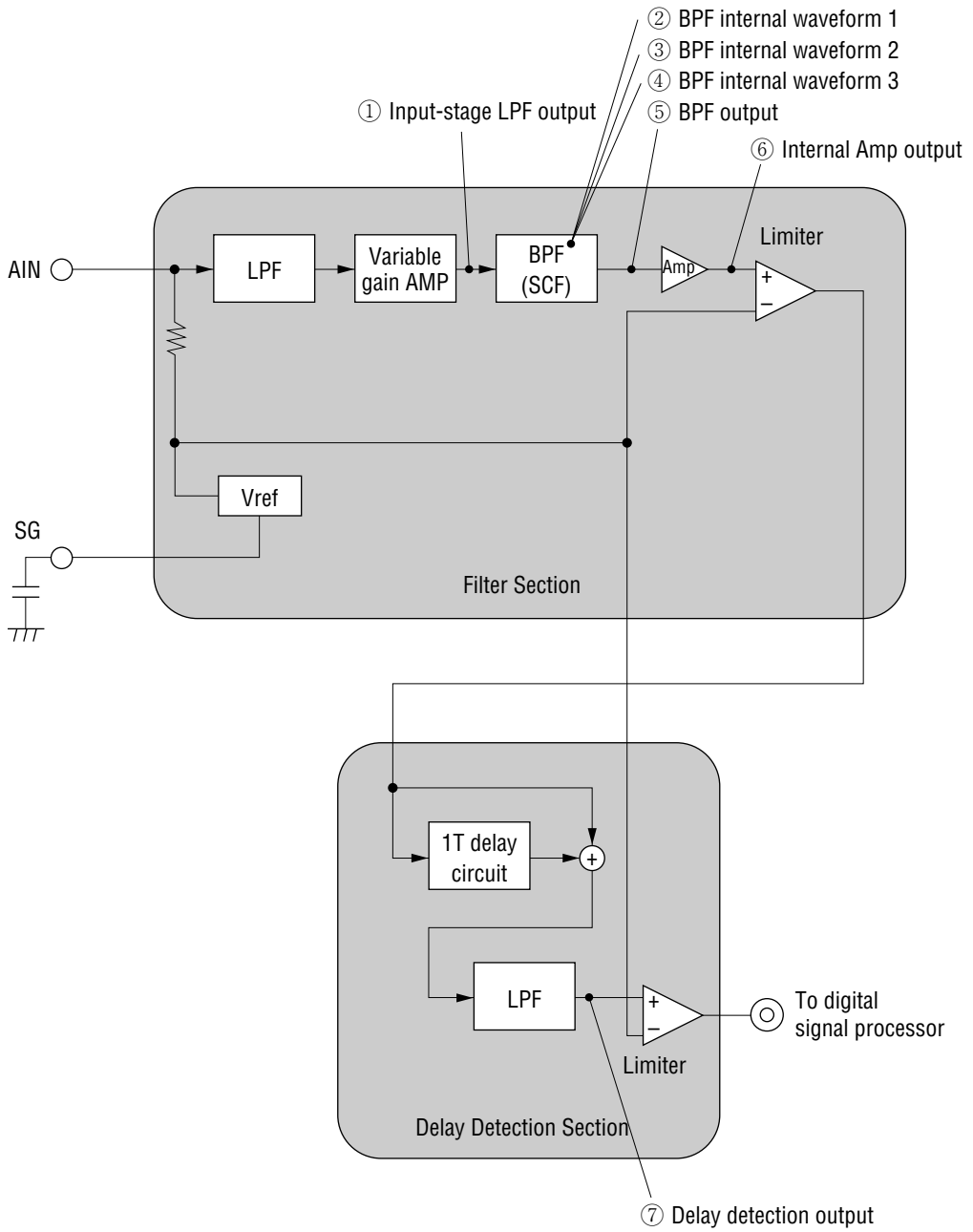


Figure 5.8.2 Analog Section Output Waveform Monitor

5.9 POWER DOWN CONTROL REGISTER

This is a power down setting register.

Address	Read/write	Reset Value	(4)				(3)	(2)	(1)	
			DB7	DB6	DB5	DB4	DB3	DB2	DB1	DB0
031H	Write		—	0	0	0	—	0	0	0

- (1) DB0: Analog section power down control
 0: Power down (operation stops).
 1: Power on (after power is turned on, several milliseconds are necessary until the circuit stabilizes).
- (2) DB1: Digital section power down control
 0: The digital section is power down, and the internal clock stops. Since the clock stops at "H", operation can be continued after power on.
 1: The digital section is power on. Operation starts from clock "H".
- (3) DB2: External oscillation control
 When input pin \overline{XOUTC} = "1", operation of crystal oscillation circuits (XTAL1, XTAL2) is controlled as described below. The output pin XOUT is fixed to "L".
 0: Stops the operation of the crystal oscillation circuits.
 1: Starts the operation of the crystal oscillation circuits.
 When input pin \overline{XOUTC} = "0", the crystal oscillation circuits (XTAL1 and XTAL2) are always in an oscillation state, and the output pin XOUT always outputs oscillation clocks.
- (4) Dividing of external clock (XOUT)
 The divided clocks to the XOUT pin are set up.

DB6 (XCK2)	DB5 (XCK1)	DB4 (XCK0)	Clock XOUT pin
0	0	0	8.192 MHz
0	0	1	4.096 MHz
0	1	0	2.048 MHz
0	1	1	1.024 MHz
1	0	0	0.512 MHz
1	0	1	0.256 MHz
1	1	0	0.128 MHz
1	1	1	0.064 MHz

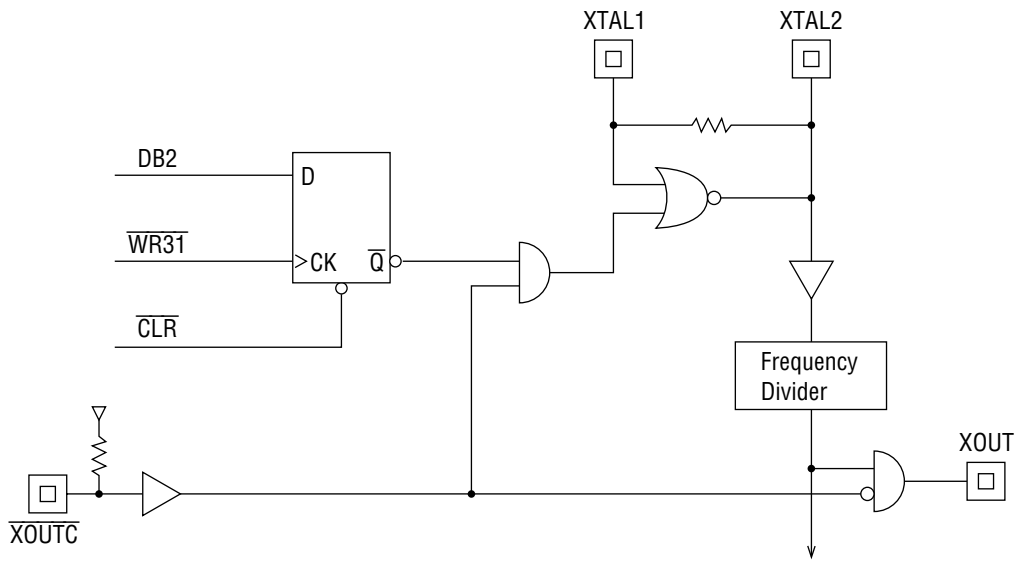


Figure 5.9.1 Oscillator Circuit Control

5.10 TEST CONTROL REGISTERS

5.10.1 Test Control 0

This register controls switching of the test pins (MOUT0-MOUT4).

Address	Read/write	Reset value	(1)							
			DB7	DB6	DB5	DB4	DB3	DB2	DB1	DB0
032H	Write		0	0	0	—	—	—	—	—

(1) DB5-DB7: See Table 5.10.1 for details.

5.10.2 Test Control 1

This register controls the decoding mode of serial receive data and test switching.

Address	Read/write	Reset value	(5) (1) (4) (3) (2) (1)							
			DB7	DB6	DB5	DB4	DB3	DB2	DB1	DB0
033H	Write		—	0	0	0	0	0	0	0

(1) DB0, DB4: Serial receive data output
Outputs serial receive data (serial receive data converted by the control in (3) to (5) below) to MOUT6 pin.
The output data changes at the rising edge of a 16 kHz regeneration data clock (MOUT5 pin).

DB4	DB0	MOUT 6 Pin Output
0	0	Fixed to "L"
0	1	Serial receive data after descrambling
1	0	Serial receive data before descrambling
1	1	

- (2) DB1: 16 kHz regeneration data clock
A 16 kHz regeneration data clock is output to the MOUT5 pin.
0: MOUT5 Pin is fixed to "L".
1: A 16 kHz regeneration data clock is output to the MOUT5 pin.
- (3) DB2: Differential decoding control
0: Performs differential decoding to input data.
1: Does not perform differential decoding. (In FM multiplex broadcast, differential decoding is not used, so use DB2 = "1".)
- (4) DB3: Descrambler (regeneration of dc component of data) control
0: Descrambles input data other than BIC. (This is used for receiving FM multiplex broadcast.)
1: Does not descramble. (This is used for testing.)

(5) DB5, DB6: Delay detector output control

DB6	DB5	Delay Detector Control (controls input data and data before 1T)	Purpose of Use
0	0	ENOR	FM multiplex broadcast reception
0	1	Through (data before 1T)	For testing
1	0	EOR	
1	1		

Table 5.10.1 Monitor Input/Output Pins

Test Control 0

Test Control			Address = 032H					
			(DB7, DB6, DB5)					
Pin Name	Pin No.	I/O	Extension Port	LSI Internal Signal Monitor (Note)				
				(110) (101) (000)	TST0 (001)	TSTT1 (010)	TSTB0 (011)	TSTB1 (100)
MOUT0	8	Output	OFH register DB0	BPF limiter output	TS11	FRCK0	FSYNC *1	
MOUT1	9	Output	OFH register DB1	Delay detection output	TS21	FRCK1	BSYNC *2	
MOUT2	10	Output	OFH register DB2	DET output	TS10	FRCK2	RAMOUT	BIC0 *3
MOUT3	11	Output	OFH register DB3	SCF clock output	GATE	FRCK3	BICDET2	BIC1 *3
MOUT4	12	Output	OFH register DB4	Fixed to "L"	PHCK1	BCK	BICDET	BICDET1 *4

(Note) Since the LSI internal signal monitor is normally used for LSI device shipment inspection, the user does not have to use it, but the items *1 to *4 below can be monitored.

*1 FSYNC → Frame synchronizing state

"0": out of shnchronizing

"1": synchronizing

*2 BSYNC → Block synchronizing state

"0": out of shnchronizing

"1": synchronizing

*3 BIC0, BIC1 → BIC number indication

BIC0	0	1	0	1
BIC1	0	0	1	1
BIC No.	BIC1	BIC2	BIC3	BIC4

*4 BICDET1 → BIC detection state

"0": detecting NG

"1": detecting OK

Test Control 1

Pin Name	Pin No.	I/O	Test control 1 Address = 033H						
			Test Control 1 DB1		Test control 1 DB0, DB4				
			0	1	DB0	0	1	0	1
			0	1	DB4	0	0	1	1
MOUT5	13	Output	Fixed to "L"	CK16K	X	—	—	—	
MOUT6	14	Output	—	—	X	Fixed to "L"	Serial receive data after descrambling	Serial receive data before descrambling	

5.11 I/O ADDRESS REGISTER

This register sets up an internal register address irrespective of pins A0 to A5.

The address set up by this register becomes valid when IOEN (DB7) is set to "1".

When $\overline{CS} = "1"$ and $\overline{IORD} = "0"$, data in the internal register is output onto the data bus.

When $\overline{CS} = "1"$ and $\overline{IOWR} = "0"$, data on the data bus is written in the internal register.

Address	Read/write	Reset value	(1)		(2)						
			DB7	DB6	DB5	DB4	DB3	DB2	DB1	DB0	
037H	Write		0	—	0	0	0	0	0	0	0

(1) DB7: IOEN

0: Address set up by this register is invalid.

1: Address set up by this register is valid as an internal address in the IC.

(2) DB0 - DB5:

Corresponds to external addresses A0 to A5.

5.12 EXTENDED PORT REGISTER

Data (B0 to B4) in this register is output to the monitor output pins MOUT0 to MOUT4 by writing 000xxxxx, 101xxxxx, or 110xxxxx to the port mode register (032H). Refer to the table 5.10.1.

Address	Read/write	Reset value	DB7	DB6	DB5	DB4	DB3	DB2	DB1	DB0
00FH	Write		—	—	—	0	0	0	0	0

Usage example of the extended port

When the clock of the microcomputer that controls the MSM9552/9553 is supplied from the XOUT pin of the MSM9552/9553, the following two problems will occur:

1. When used with $\overline{XOUTC} = "1"$

When this register is cleared, the microcomputer does not operate, because the XOUT pin is fixed at "L".

2. When used with $\overline{XOUTC} = "0"$

When this register is cleared, oscillation does not stop even in the power down mode, because the XOUT pin always outputs clock.

The above troubles are cleared up using the extended port function.

By connecting the \overline{XOUTC} pin and MOUT0 pin externally as shown below, \overline{XOUTC} goes to "0" and XOUT pin outputs the clock, after clear.

By writing DB0 of 00FF to "1", \overline{XOUTC} is set to "1", during power down mode.

As a result, oscillation does not stop during clear, and can be stopped by the software only during power down mode.

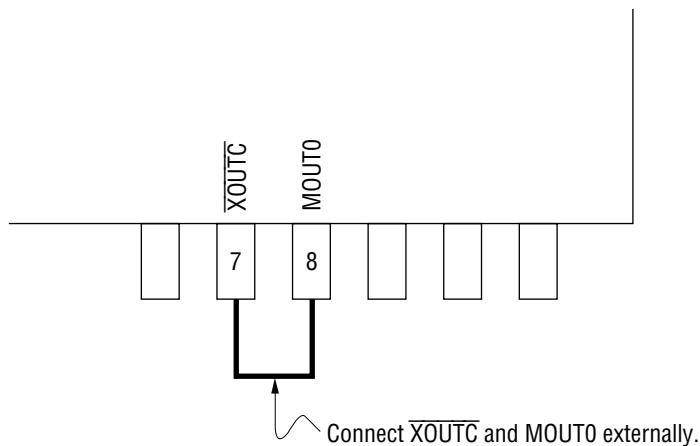
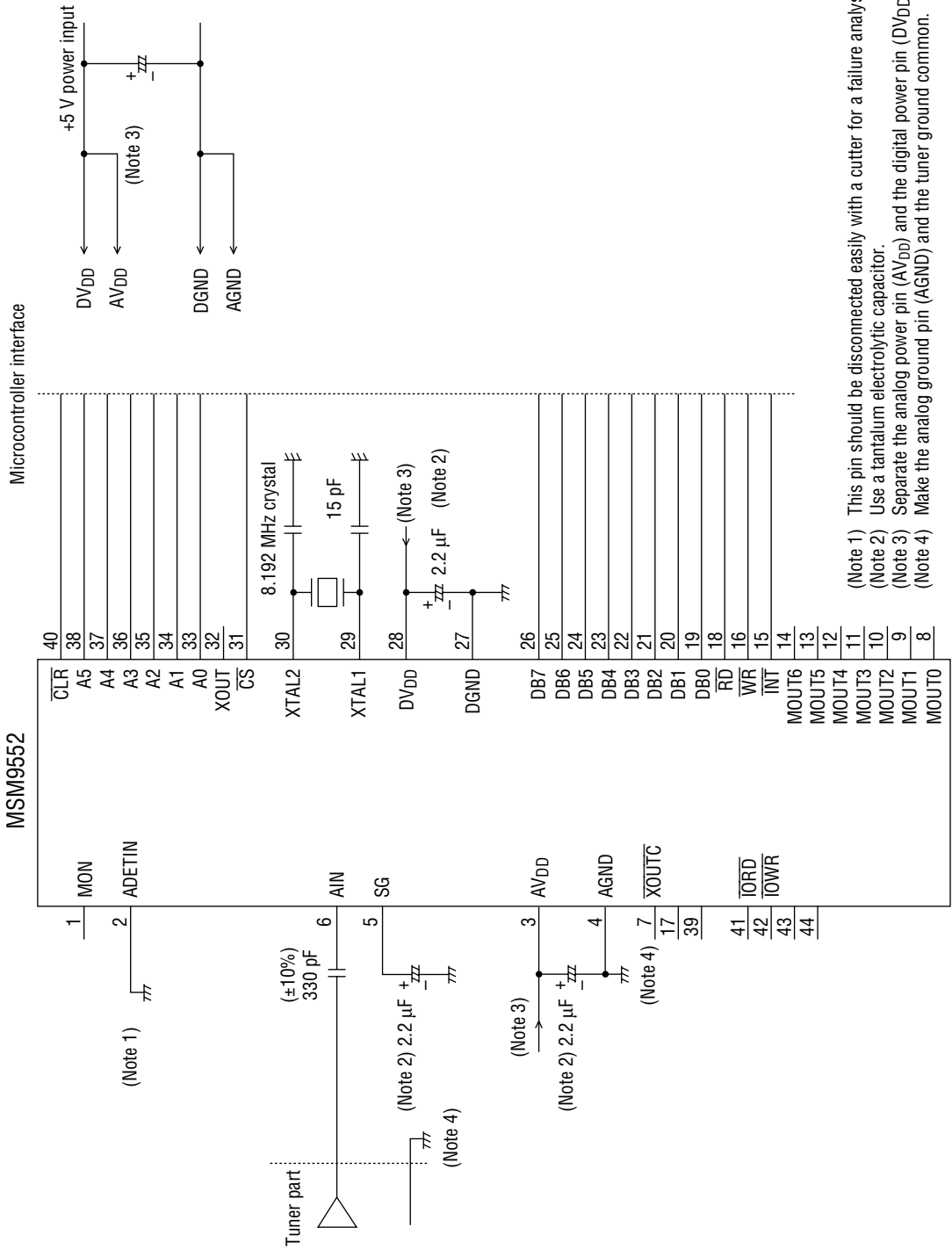


Figure 5.12.1 Usage Example of Extended Port

Chapter 6

EXTERNAL CONNECTION EXAMPLE

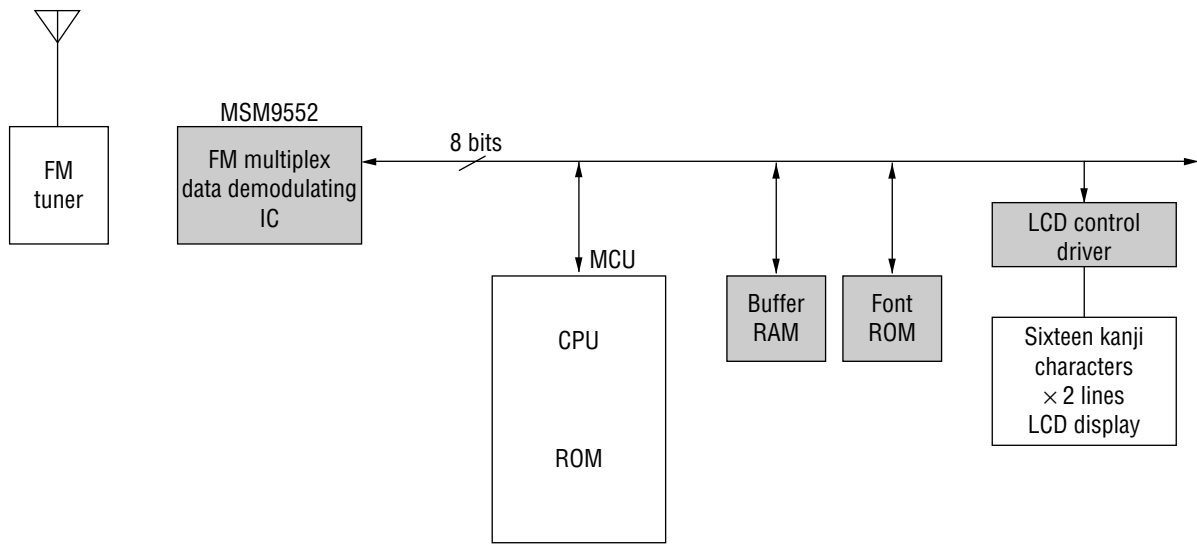
6. EXTERNAL CONNECTION EXAMPLE



Chapter 7

APPLICATION CIRCUIT

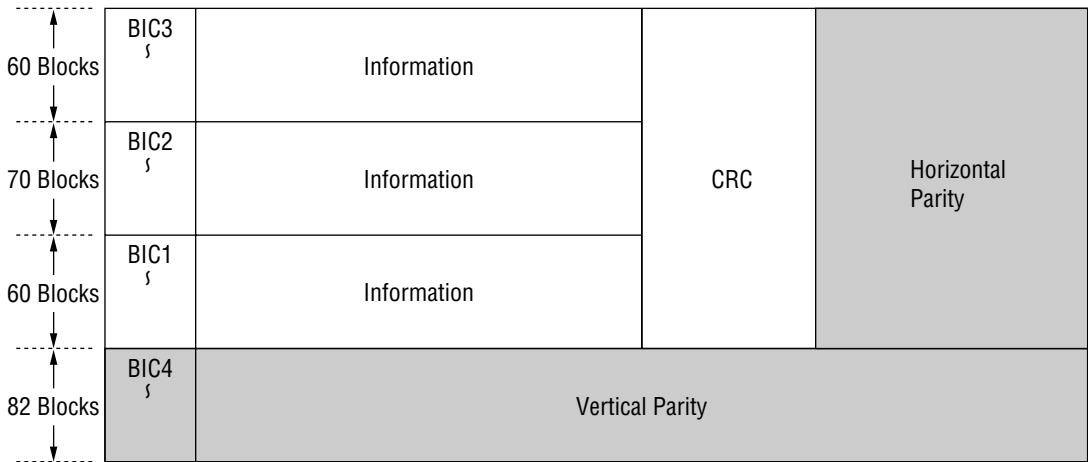
7. APPLICATION CIRCUIT



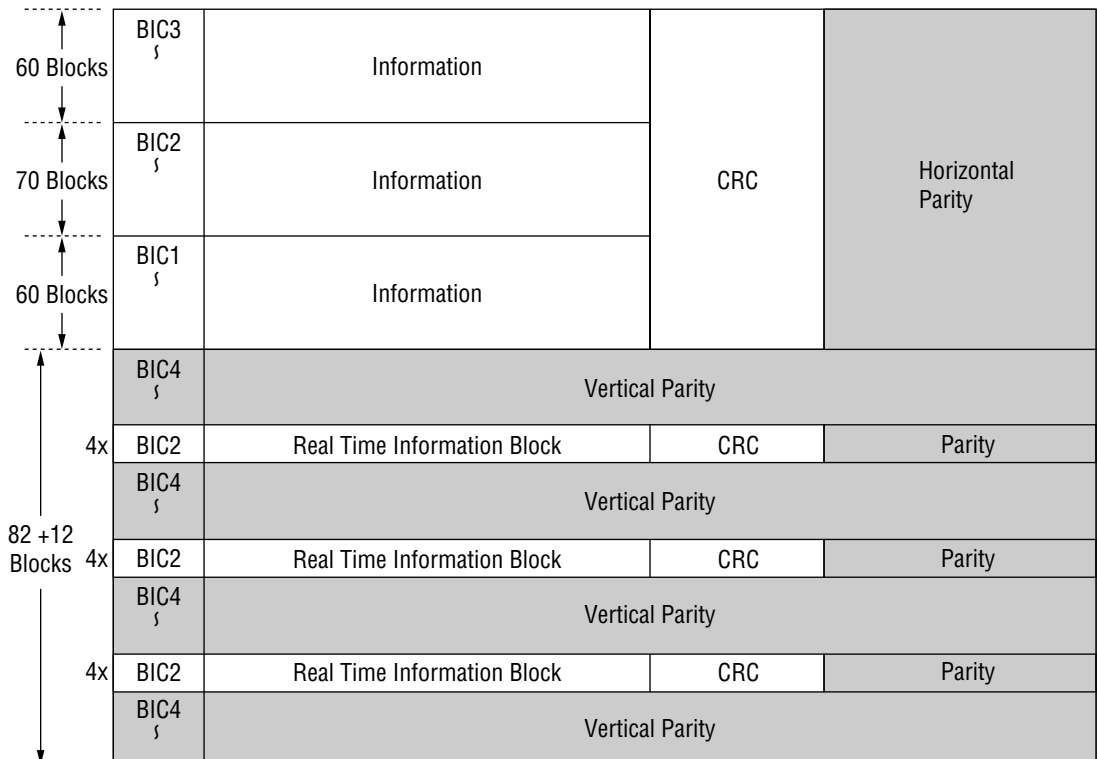
APPENDIX

APPENDIX: INTERNATIONAL FRAME FORMAT (ITU-R Rec. BS1194)

1) Format A0: Frame according to method A, without insertion of real time blocks.



2) Format A1: Frame according to method A, with Static insertion of real time blocks.



3) Format B: Frame according to method B, with block interleave.

13 Blocks	BIC1	Information 1	CRC	Parity
	⋮	⋮	⋮	⋮
	BIC1	Information 13	CRC	Parity
123 Blocks	BIC3	Information 14	CRC	Parity
	BIC3	Information 15	CRC	Parity
	BIC4	Parity 1		
	BIC3	Information 16	CRC	Parity
	BIC3	Information 17	CRC	Parity
	BIC4	Parity 2		
	BIC3	Information 18	CRC	Parity
	⋮	⋮	⋮	⋮
	BIC4	Parity 40		
	BIC3	Information 95	CRC	Parity
	BIC3	Information 96	CRC	Parity
BIC4	Parity 41			
13 Blocks	BIC2	Information 97	CRC	Parity
	⋮	⋮	⋮	⋮
	BIC2	Information 109	CRC	Parity
123 Blocks	BIC3	Information 110	CRC	Parity
	BIC3	Information 111	CRC	Parity
	BIC4	Parity 42		
	BIC3	Information 112	CRC	Parity
	BIC3	Information 113	CRC	Parity
	BIC4	Parity 43		
	BIC3	Information 114	CRC	Parity
	⋮	⋮	⋮	⋮
	BIC4	Parity 81		
	BIC3	Information 189	CRC	Parity
	BIC3	Information 190	CRC	Parity
BIC4	Parity 82			

4) Format C: Frame according to method C, block code only.

BIC3	Information	CRC	Parity
------	-------------	-----	--------