

FEATURES

- Pin Compatible with Most Bandgap Reference Applications, Including Ref 01, Ref 02, LM368, MC1400, and MC1404, with Greatly Improved Stability, Noise, and Drift
- Ultra Low Drift—2ppm/°C Max Slope
- Trimmed Output Voltage
- Operates in Series or Shunt Mode
- Output Sinks and Sources in Series Mode
- Very Low Noise < 1ppm p-p (0.1Hz to 10Hz)
- > 100dB Ripple Rejection
- Minimum Input-Output Differential of 1V
- 100% Noise Tested

APPLICATIONS

- A to D and D to A Converters
- Precision Regulators
- Digital Voltmeters
- Inertial Navigation Systems
- Precision Scales
- Portable Reference Standard

DESCRIPTION

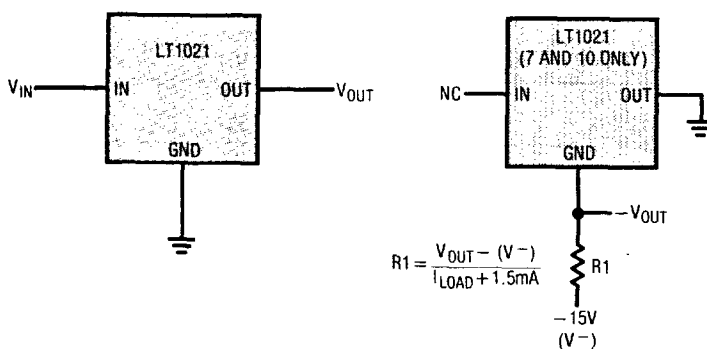
The LT1021 is a precision reference with ultra low drift and noise, extremely good long term stability, and almost total immunity to input voltage variations. The reference output will both source and sink up to 10mA. Three voltages are available; 5V, 7V and 10V. The 7V and 10V units can be used as shunt regulators (two terminal zeners) with the same precision characteristics as the three terminal connection. Special care has been taken to minimize thermal regulation effects and temperature induced hysteresis.

The LT1021 references are based on a buried zener diode structure which eliminates noise and stability problems associated with surface breakdown devices. Further, a subsurface zener exhibits better temperature drift and time stability than even the best band-gap references.

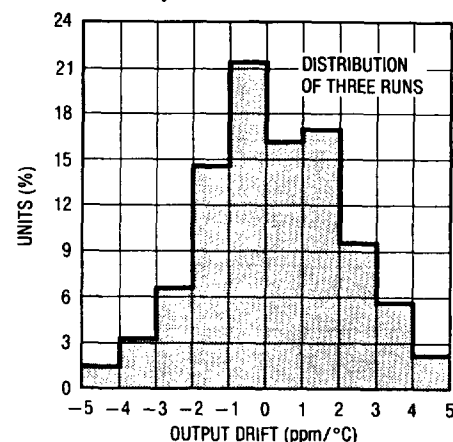
Unique circuit design makes the LT1021 the first IC reference to offer ultra low drift without the use of high power on-chip heaters.

The LT1021-7 uses no resistive divider to set output voltage, and therefore exhibits the best long term stability and temperature hysteresis. The LT1021-5 and LT1021-10 are intended for systems requiring a precise 5V or 10V reference, with an initial tolerance as low as $\pm 0.05\%$.

Basic Positive and Negative Connections



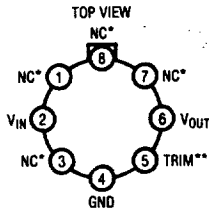
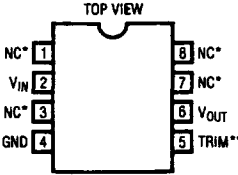
Typical Distribution of Temperature Drift—LT1021



ABSOLUTE MAXIMUM RATINGS

Input Voltage	40V
Input-Output Voltage Differential	35V
Output to Ground Voltage (Shunt Mode Current Limit)	
LT1021-5	10V
LT1021-7	10V
LT1021-10	16V
Trim Pin to Ground Voltage	
Positive	Equal to V_{OUT}
Negative	-20V
Output Short Circuit Duration	
$V_{IN} = 35V$	10 sec
$V_{IN} \leq 20V$	Indefinite
Operating Temperature Range	
LT1021 Mil	-55°C to 125°C
LT1021 Comm	0°C to 70°C
Storage Temperature Range	
All Devices	-65°C to 150°C
Lead Temperature (Soldering, 10 sec.)	300°C

PACKAGE/ORDER INFORMATION

		ORDER PART NUMBER		
 <p>METAL CAN H PACKAGE</p> <p>*CONNECTED INTERNALLY. DO NOT CONNECT EXTERNAL CIRCUITRY TO THESE PINS.</p> <p>**NO TRIM PIN ON LT1021-7. DO NOT CONNECT EXTERNAL CIRCUITRY TO PIN 5 ON LT1021-7.</p>	LT1021BMH-5	LT1021AMH-10		
	LT1021CMH-5	LT1021BMH-10		
	LT1021DMH-5	LT1021CMH-10		
	LT1021BCH-5	LT1021DMH-10		
	LT1021CCH-5	LT1021ACH-10		
	LT1021DCH-5	LT1021BCH-10		
		LT1021CCH-10		
		LT1021DCH-10		
		LT1021AMH-7		
		LT1021BMH-7		
	LT1021DMH-7			
	LT1021ACH-7			
	LT1021BCH-7			
	LT1021DCH-7			
 <p>PLASTIC DIP N8 PACKAGE</p> <p>*CONNECTED INTERNALLY. DO NOT CONNECT EXTERNAL CIRCUITRY TO THESE PINS.</p> <p>**NO TRIM PIN ON LT1021-7. DO NOT CONNECT EXTERNAL CIRCUITRY TO PIN 5 ON LT1021-7.</p>	LT1021BCN8-5			
	LT1021CCN8-5			
	LT1021DCN8-5			
		LT1021BCN8-7		
		LT1021DCN8-7		
		LT1021BCN8-10		
		LT1021CCN8-10		
		LT1021DCN8-10		

ELECTRICAL CHARACTERISTICS LT1021-5

$V_{IN} = 10V$, $I_{OUT} = 0$, $T_A = 25^\circ C$, Mil or Comm version, unless otherwise noted

PARAMETER	CONDITIONS	LT1021-5			UNITS
		MIN	TYP	MAX	
Output Voltage (Note 1)	LT1021C-5	4.9975	5.000	5.0025	V
	LT1021B-5, D-5	4.95	5.00	5.05	V
Output Voltage Temperature Coefficient (Note 2)	$T_{MIN} \leq T_J \leq T_{MAX}$ LT1021B-5		2	5	ppm/°C
	LT1021C-5, D-5		3	20	ppm/°C
Line Regulation (Note 3)	$7.2V \leq V_{IN} \leq 10V$		4	12	ppm/V
		•		20	ppm/V
	$10V \leq V_{IN} \leq 40V$	•	2	6	ppm/V
		•		10	ppm/V
Load Regulation (Sourcing Current)	$0 \leq I_{OUT} \leq 10mA$ (Note 3)		10	20	ppm/mA
		•		35	ppm/mA
Load Regulation (Sinking Current)	$0 \leq I_{OUT} \leq 10mA$ (Note 3)		60	100	ppm/mA
		•		150	ppm/mA
Supply Current			0.8	1.2	mA
		•		1.5	mA
Output Voltage Noise (Note 5)	$0.1Hz \leq f \leq 10Hz$		3		$\mu Vp-p$
	$10Hz \leq f \leq 1kHz$		2.2	3.5	$\mu Vrms$
Long Term Stability of Output Voltage (Note 6)	$\Delta t = 1000$ Hrs Non-Cumulative		15		ppm
Temperature Hysteresis of Output	$\Delta T = \pm 25^\circ C$		10		ppm

ELECTRICAL CHARACTERISTICS LT1021-7

$V_{IN} = 12V$, $I_{OUT} = 0$, $T_A = 25^\circ C$, Mil or Comm version, unless otherwise noted

PARAMETER	CONDITIONS	LT1021-7			UNITS
		MIN	TYP	MAX	
Output Voltage (Note 1)		6.95	7.00	7.05	V
Output Voltage Temperature Coefficient (Note 2)	$T_{MIN} \leq T_J \leq T_{MAX}$ LT1021A-7 LT1021B-7 LT1021D-7		1 2 3	2 5 20	ppm/°C ppm/°C ppm/°C
Line Regulation (Note 3)	$8.5V \leq V_{IN} \leq 12V$		1 2	4 8	ppm/V ppm/V
	$12V \leq V_{IN} \leq 40V$	●	0.5 1	2 4	ppm/V ppm/V
Load Regulation (Sourcing Current)	$0 \leq I_{OUT} \leq 10mA$ (Note 3)	●	12	25	ppm/mA
		●		40	ppm/mA
Load Regulation (Shunt Mode)	$1.2mA \leq I_{SHUNT} \leq 10mA$ (Notes 3, 4)	●	50	100	ppm/mA
		●		150	ppm/mA
Supply Current (Series Mode)		●	0.75	1.2	mA
Minimum Current (Shunt Mode)	V_{IN} is Open	●		1.5	mA
		●	0.7	1.0	mA
Output Voltage Noise (Note 5)	$0.1Hz \leq f \leq 10Hz$ $10Hz \leq f \leq 1kHz$		4		$\mu Vp-p$
			2.5	4	$\mu Vrms$
Long Term Stability of Output Voltage (Note 6)	$\Delta t = 1000$ Hrs Non-Cumulative		7		ppm
Temperature Hysteresis of Output	$\Delta T = \pm 25^\circ C$		3		ppm

3

ELECTRICAL CHARACTERISTICS LT1021-10

$V_{IN} = 15V$, $I_{OUT} = 0$, $T_A = 25^\circ C$, Mil or Comm version, unless otherwise noted

PARAMETER	CONDITIONS	LT1021-10			UNITS	
		MIN	TYP	MAX		
Output Voltage (Note 1)	LT1021C-10 LT1021A-10, B-10, D-10		9.995	10.00	10.005	V
			9.95	10.00	10.05	V
Output Voltage Temperature Coefficient (Note 2)	$T_{MIN} \leq T_J \leq T_{MAX}$ LT1021A-10 LT1021B-10 LT1021C-10, D-10		1	2	ppm/°C	
			2	5	ppm/°C	
Line Regulation (Note 3)	$11.5V \leq V_{IN} \leq 14.5V$ $14.5V \leq V_{IN} \leq 40V$	●	1	4	ppm/V	
		●		6	ppm/V	
Load Regulation (Sourcing Current)	$0 \leq I_{OUT} \leq 10mA$ (Note 3)	●	12	25	ppm/mA	
		●		40	ppm/mA	
Load Regulation (Shunt Mode)	$1.7mA \leq I_{SHUNT} \leq 10mA$ (Notes 3, 4)	●	50	100	ppm/mA	
		●		150	ppm/mA	
Series Mode Supply Current		●	1.2	1.7	mA	
Shunt Mode Minimum Current	V_{IN} is Open	●		2.0	mA	
		●	1.1	1.5	mA	
Output Voltage Noise (Note 5)	$0.1Hz \leq f \leq 10Hz$ $0.1Hz \leq f \leq 1kHz$		6		$\mu Vp-p$	
			3.5	6	$\mu Vrms$	
Long Term Stability of Output Voltage (Note 6)	$\Delta t = 1000$ Hrs Non-Cumulative		15		ppm	
Temperature Hysteresis of Output	$\Delta T = \pm 25^\circ C$		5		ppm	

LT1021

The ● denotes the specifications which apply over the full operating temperature range.

Note 1: Output voltage is measured immediately after turn-on. Changes due to chip warm-up are typically less than 0.005%.

Note 2: Temperature coefficient is measured by dividing the change in output voltage over the temperature range by the change in temperature. Separate tests are done for hot and cold; T_{MIN} to 25°C, and 25°C to T_{MAX} . **Incremental slope is also measured at 25°C.** For the "A" version only, a box method is used from 0°C to 70°C with a height of $2\text{ppm}/^\circ\text{C} \times 70^\circ\text{C} = 140\text{ppm}$. Military "A" grades receive an additional -55°C to $+125^\circ\text{C}$ test to $\pm 5\text{ppm}/^\circ\text{C}$.

Note 3: Line and load regulation are measured on a pulse basis. Output changes due to die temperature change must be taken into account separately. Package thermal resistance is $150^\circ\text{C}/\text{W}$ for TO-5 (H), and $130^\circ\text{C}/\text{W}$ for N.

Note 4: Shunt mode regulation is measured with the input open. With the input-connected, shunt mode current can be reduced to 0mA. Load regulation will remain the same.

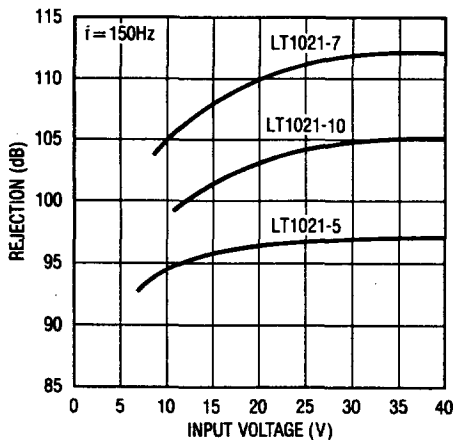
Note 5: RMS noise is measured with a single high pass filter at 10Hz and a 2-pole low pass filter at 1kHz. The resulting output is full wave rectified and then integrated for a fixed period, making the final reading an average as opposed to RMS. A correction factor of 1.1 is used to convert from average to RMS, and a second correction of 0.88 is used to correct for the non-ideal bandpass of the filters.

Peak-to-peak noise is measured with a single high pass filter at 0.1Hz and a 2-pole low pass filter at 10Hz. The unit is enclosed in a still-air environment to eliminate thermocouple effects on the leads. Test time is 10 seconds.

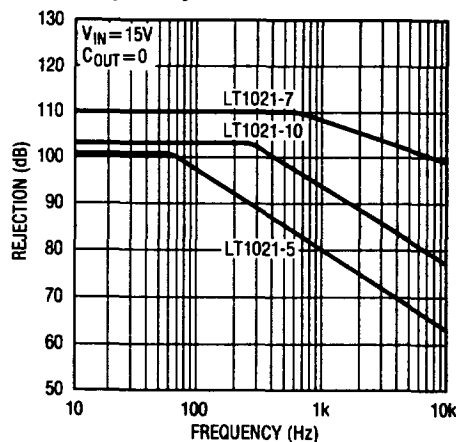
Note 6: Consult factory for units with long term stability data.

TYPICAL PERFORMANCE CHARACTERISTICS

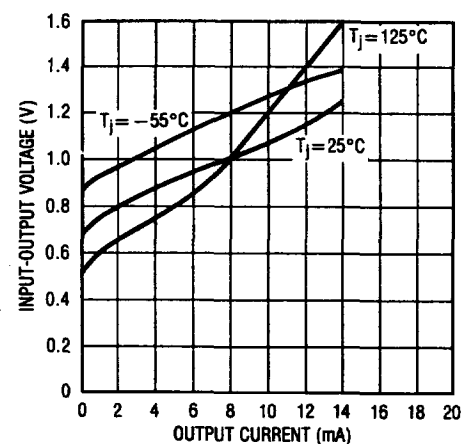
Ripple Rejection



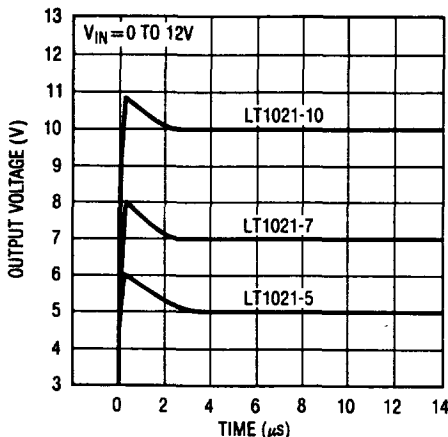
Ripple Rejection



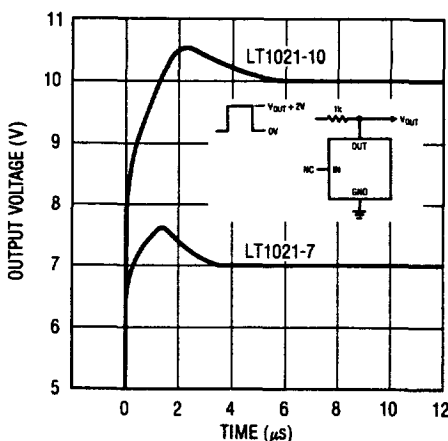
Minimum Input-Output Differential LT1021-7 and LT1021-10



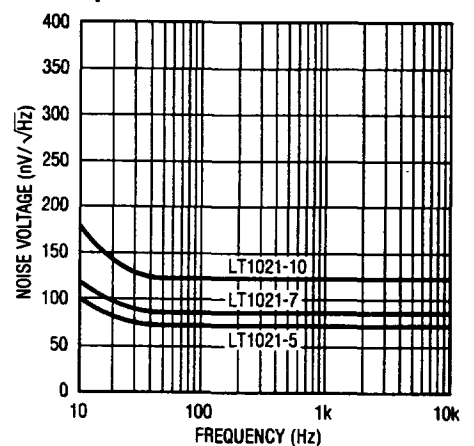
Start-Up (Series Mode)



Start-Up (Shunt Mode) LT1021-7 and LT1021-10

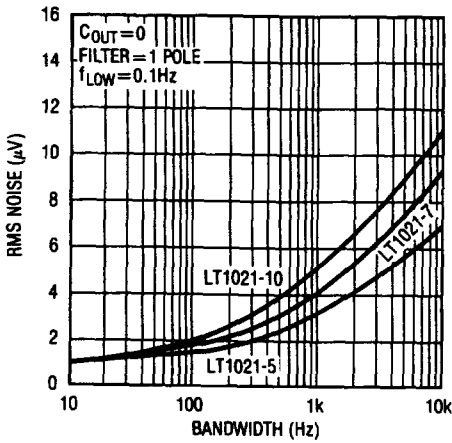


Output Voltage Noise Spectrum

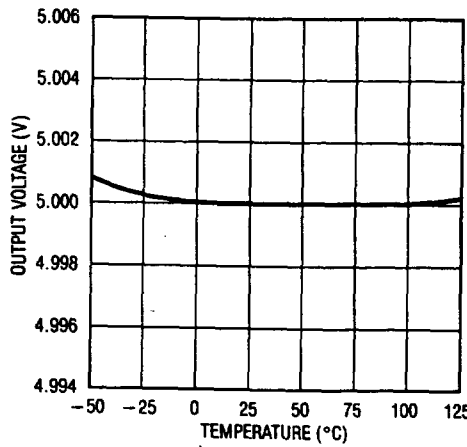


TYPICAL PERFORMANCE CHARACTERISTICS

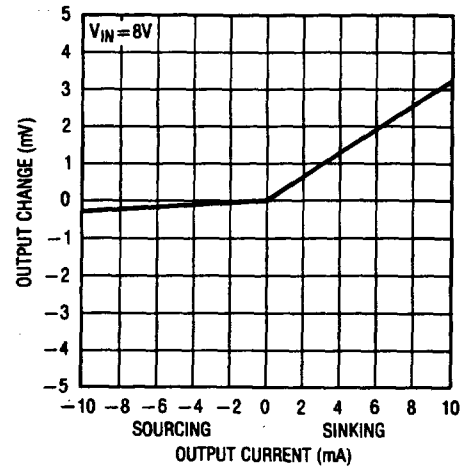
Output Voltage Noise



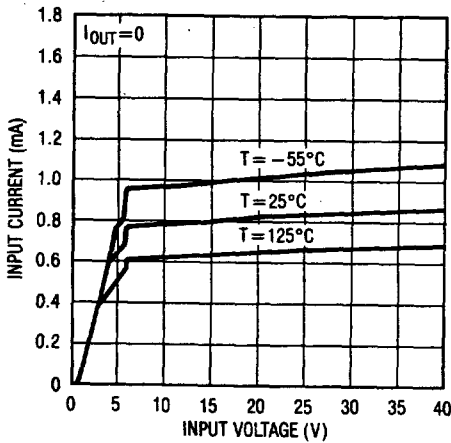
Output Voltage Temperature Drift LT1021-5



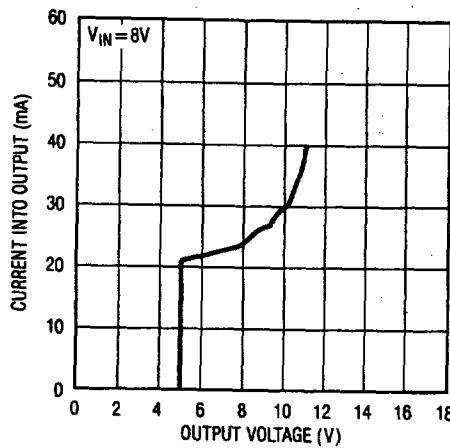
Load Regulation LT1021-5



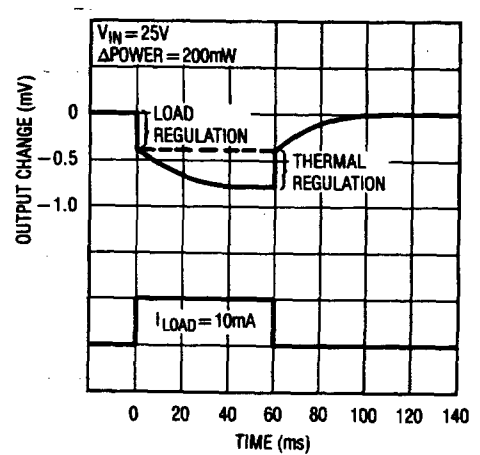
Quiescent Current LT1021-5



Sink Mode* Current Limit LT1021-5



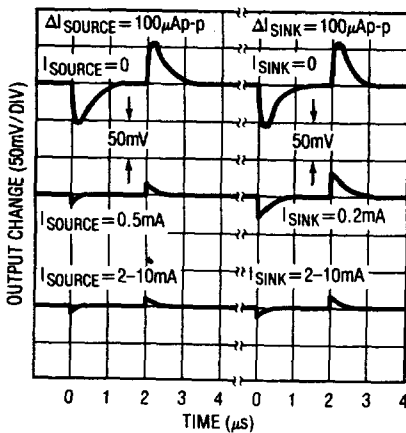
Thermal Regulation LT1021-5



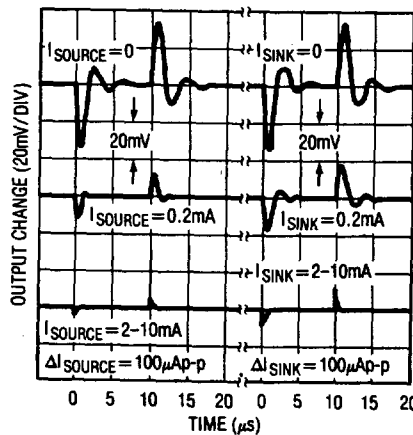
3

*NOTE THAT AN INPUT VOLTAGE IS REQUIRED FOR 5V UNITS.

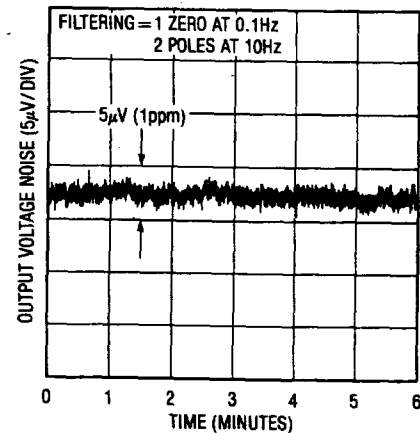
Load Transient Response LT1021-5, C_{LOAD} = 0



Load Transient Response LT1021-5, C_{LOAD} = 1000pF

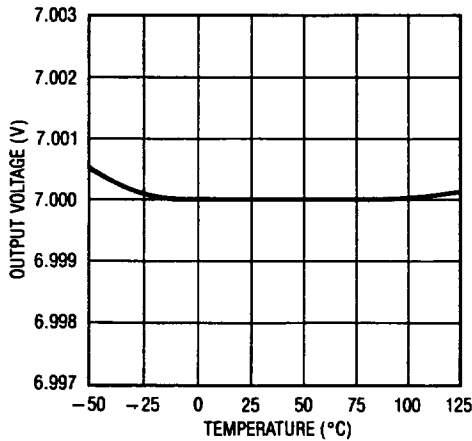


Output Noise 0.1Hz to 10Hz LT1021-5

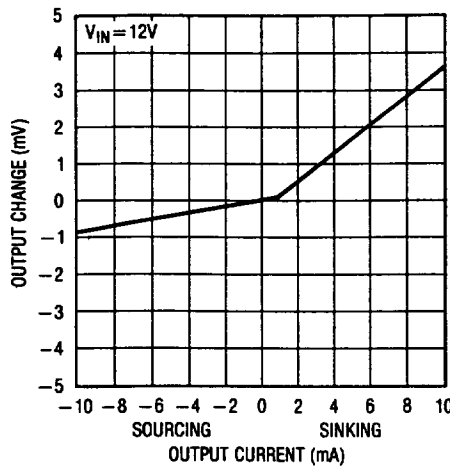


TYPICAL PERFORMANCE CHARACTERISTICS

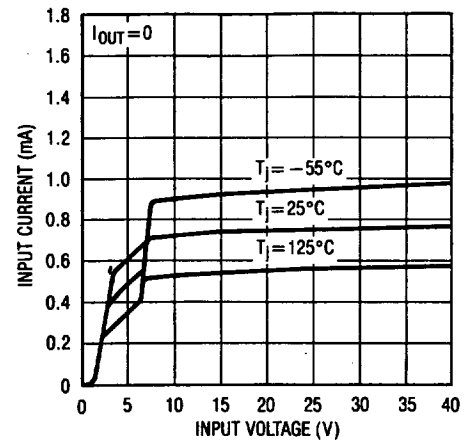
Output Voltage Temperature Drift LT1021-7



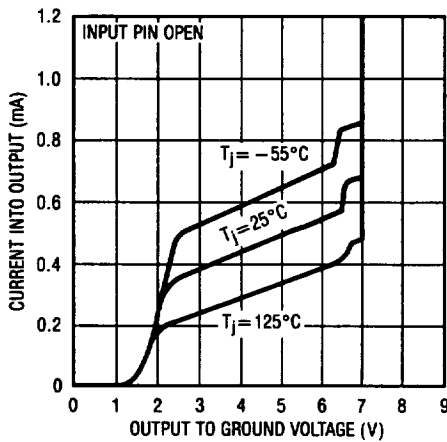
Load Regulation LT1021-7, 10



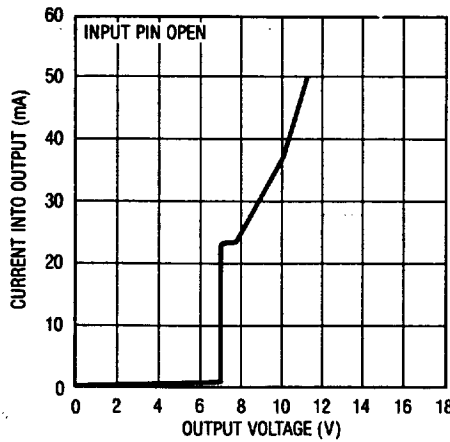
Quiescent Current LT1021-7



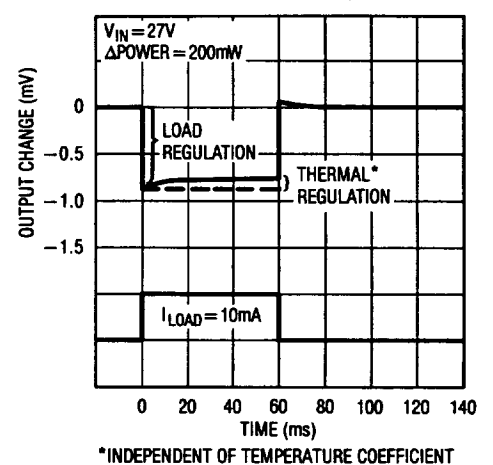
Shunt Characteristics LT1021-7



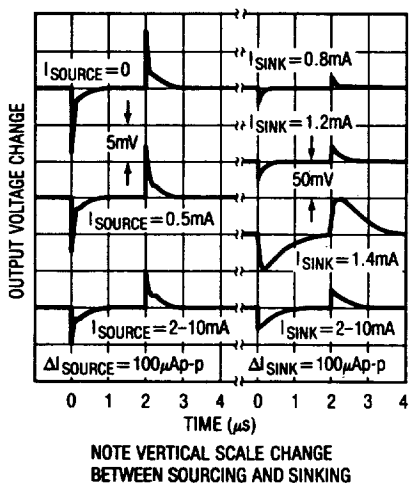
Shunt Mode Current Limit LT1021-7



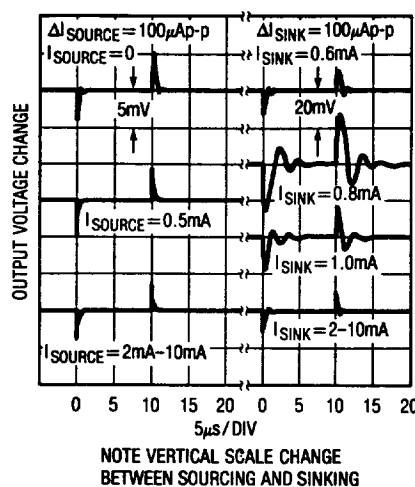
Thermal Regulation LT1021-7



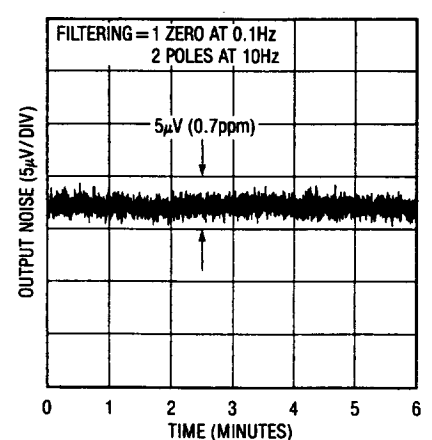
Load Transient Response LT1021-7, $C_{LOAD} = 0$



Load Transient Response LT1021-7, $C_{LOAD} = 1000pF$

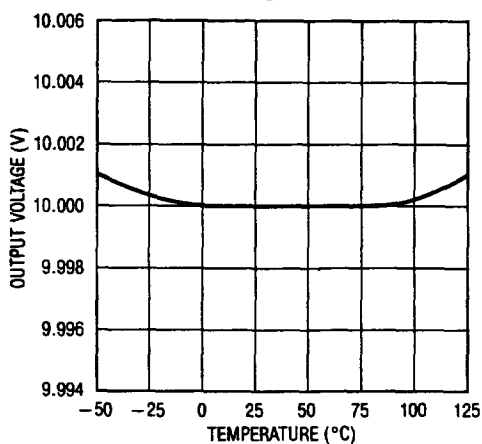


Output Noise 0.1Hz to 10Hz LT1021-7

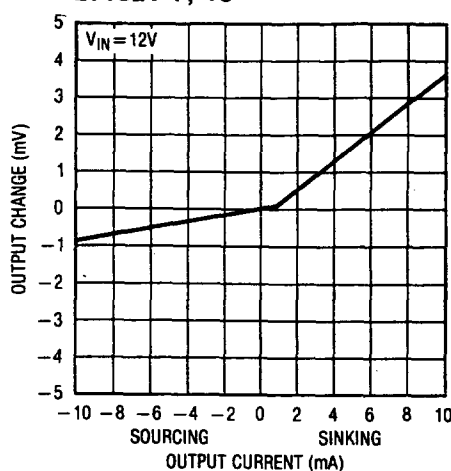


TYPICAL PERFORMANCE CHARACTERISTICS

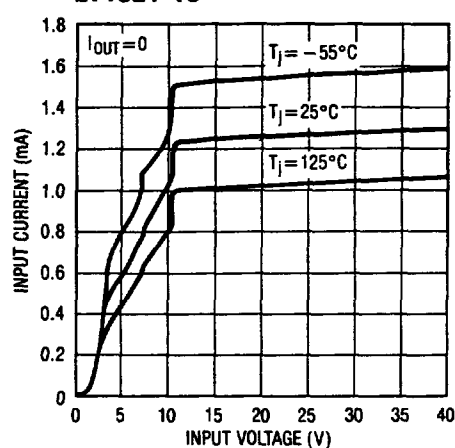
Output Voltage Temperature Drift LT1021-10



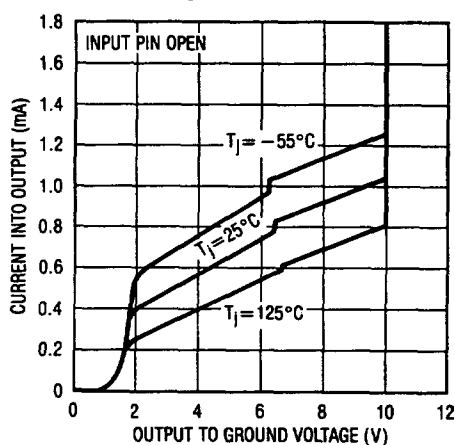
Load Regulation LT1021-7, 10



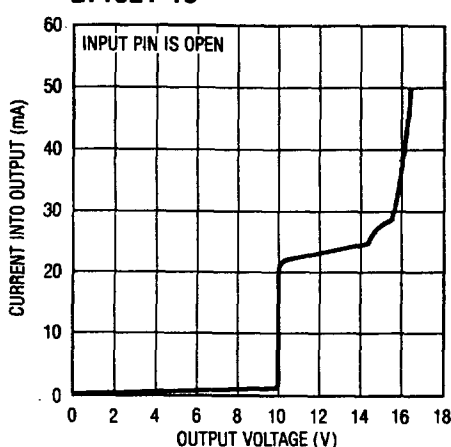
Input Supply Current LT1021-10



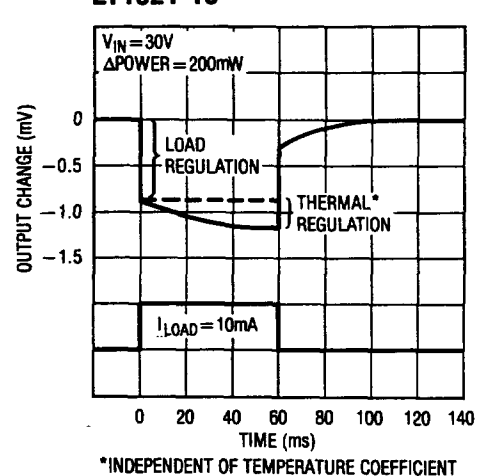
Shunt Characteristics LT1021-10



Shunt Mode Current Limit LT1021-10

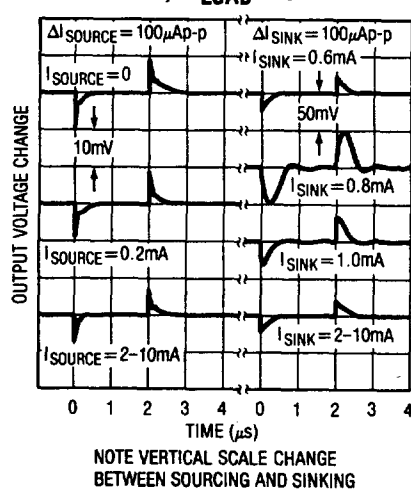


Thermal Regulation LT1021-10

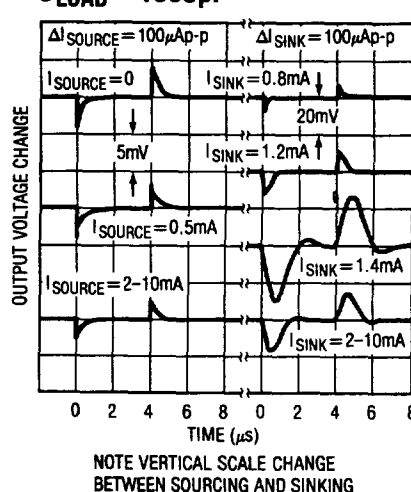


3

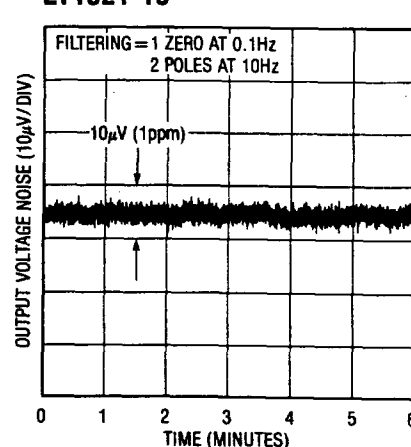
Load Transient Response LT1021-10, CLOAD = 0



Load Transient Response LT1021-10, CLOAD = 1000pF



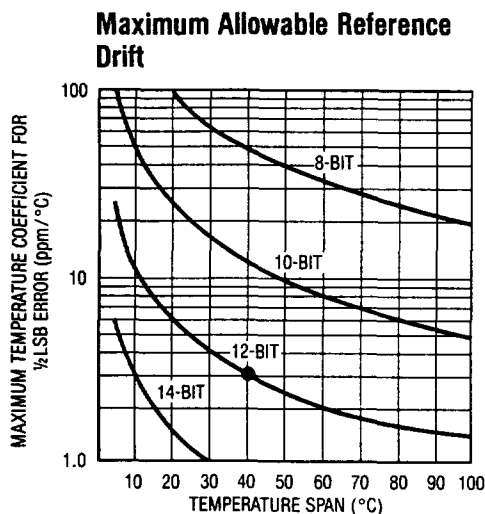
Output Noise 0.1Hz to 10Hz LT1021-10



APPLICATIONS INFORMATION

Effect of Reference Drift on System Accuracy

A large portion of the temperature drift error budget in many systems is the system reference voltage. This graph indicates the maximum temperature coefficient allowable if the reference is to contribute no more than 1/2 LSB error to the overall system performance. The example shown is a 12-bit system designed to operate over a temperature range from 25°C to 65°C. Assuming the system calibration is performed at 25°C, the temperature span is 40°C. It can be seen from the graph that the temperature coefficient of the reference must be no worse than 3ppm/°C if it is to contribute less than 1/2 LSB error. For this reason, the LT1021 family has been optimized for low drift.



Trimming Output Voltage

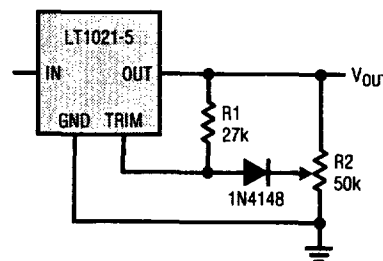
LT1021-10

The LT1021-10 has a trim pin for adjusting output voltage. The impedance of the trim pin is about 12kΩ with a nominal open circuit voltage of 5V. It is designed to be driven from a source impedance of 3kΩ or less to minimize changes in the LT1021 TC with output trimming. Attenuation between the trim pin and the output is 70:1. This allows ±70mV trim range when the trim pin is tied to the wiper of a potentiometer connected between the output and ground. A 10kΩ potentiometer is recommended, preferably a 20 turn cermet type with stable characteristics over time and temperature.

The LT1021-10 "C" version is pre-trimmed to ±5mV and therefore can utilize a restricted trim range. A 75kΩ resistor in series with a 20kΩ potentiometer will give ±10mV trim range. Effect on output TC will be only 1ppm/°C for the ±5mV trim needed to set the "C" device to 10.000V.

LT1021-5

The LT1021-5 does have an output voltage trim pin, but the TC of the nominal 4V open circuit voltage at this pin is about -1.7mV/°C. For the voltage trimming not to affect reference output TC, the external trim voltage must track the voltage on the trim pin. Input impedance of the trim pin is about 100kΩ and attenuation to the output is 13:1. The technique shown below is suggested for trimming the output of the LT1021-5 while maintaining minimum shift in output temperature coefficient. The R1/R2 ratio is chosen to minimize interaction of trimming and TC shifts, so the exact values shown should be used.

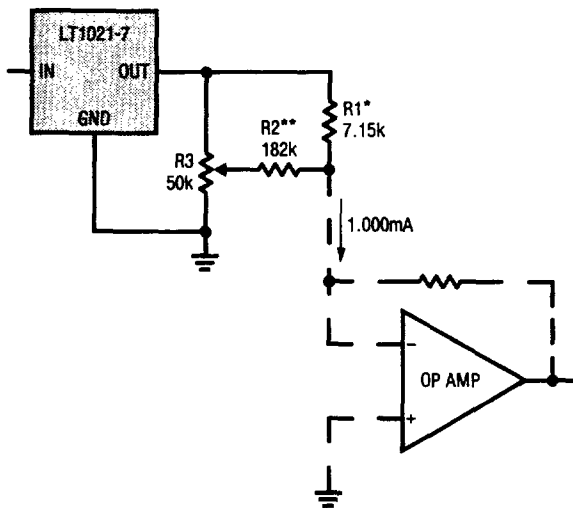
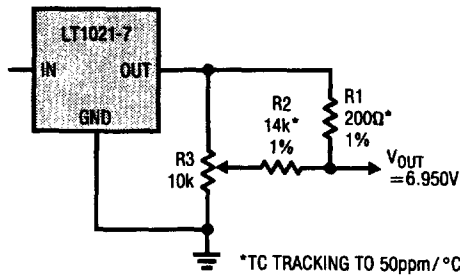


LT1021-7

The 7V version of the LT1021 has no trim pin because the internal architecture does not have a point which could be driven conveniently from the output. Trimming must therefore be done externally, as is the case with ordinary reference diodes. Unlike these diodes, however, the output of the LT1021 can be loaded with a trim potentiometer. The following trim techniques are suggested; one for voltage output, and one for current output. The voltage output is trimmed for 6.95V. Current output is 1mA, as shown, into a summing junction, but all resistors may be scaled for currents up to 10mA.

APPLICATIONS INFORMATION

Both of these circuits use the trimmers in a true potentiometric mode to reduce the effects of trimmer TC. The voltage output has a 200Ω impedance, so loading must be minimized. In the current output circuit, R1 determines output current. It should have a TC commensurate with the LT1021 or track closely with the feedback resistor around the op amp.



*RESISTOR TC DETERMINES I_{OUT} TC
 **TC $\leq 10 \times R1$ TC. R2 AND R3 SCALE WITH R1 FOR DIFFERENT OUTPUT CURRENTS.

Capacitive Loading and Transient Response

The LT1021 is stable with all capacitive loads, but for optimum settling with load transients, output capacitance should be under 1000pF. The output stage of the reference is class AB with a fairly low idling current. This makes transient response worst-case at light load currents. Because of

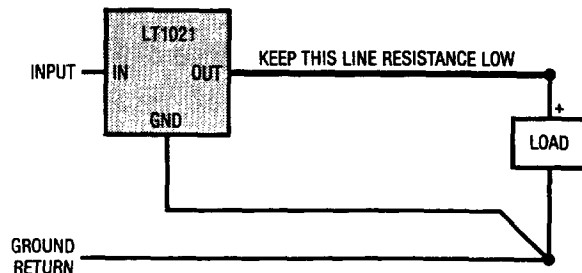
internal current drain on the output, actual worst-case occurs at $I_{LOAD} = 0$ on LT1021-5, $I_{LOAD} = -0.8\text{mA}$ (sinking) on LT1021-7, and $I_{LOAD} = 1.4\text{mA}$ (sinking) on LT1021-10. Significantly better load transient response is obtained by moving slightly away from these points. See Load Transient Response curves for details. In general, best transient response is obtained when the output is sourcing current. In critical applications, a 10μF solid tantalum capacitor with several ohms in series provides optimum output bypass.

Kelvin Connections

Although the LT1021 does not have true force/sense capability at its outputs, significant improvements in ground loop and line loss problems can be achieved with proper hook-up. In series mode operation, the ground pin of the LT1021 carries only $\approx 1\text{mA}$ and can be used as a sense line, greatly reducing ground loop and loss problems on the low side of the reference. The high side supplies load current so line resistance must be kept low. Twelve feet of #22 gauge hook up wire or 1 foot of 0.025 inch printed circuit trace will create 2mV loss at 10mA output current. This is equivalent to 1LSB in a 10V, 12-bit system.

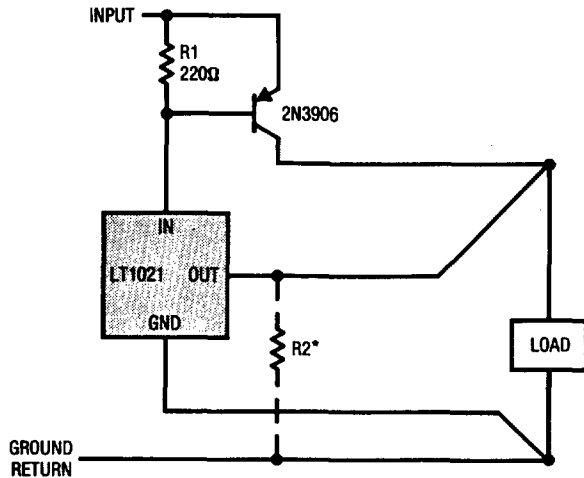
The circuits below show proper hook up to minimize errors due to ground loops and line losses. Losses in the output lead can be greatly reduced by adding a PNP boost transistor if load currents are 5mA or higher. R2 can be added to further reduce current in the output sense lead.

Standard Series Mode



APPLICATIONS INFORMATION

Series Mode with Boost Transistor



*OPTIONAL—REDUCES CURRENT IN OUTPUT SENSE LEAD
 R2 = 2.4k (LT1021-5), 3k (LT1021-7), 5.6k (LT1021-10)

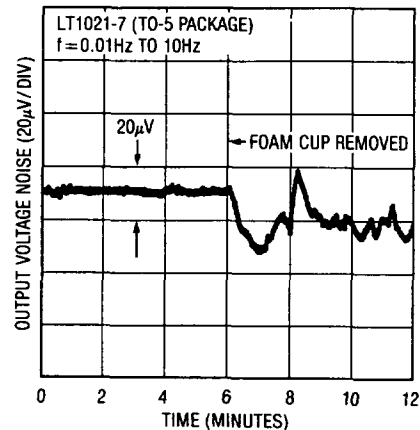
shielded from ambient air with a small foam cup. The cup was then removed for the second half of the trace. Ambient in both cases was a lab environment with no excessive air turbulence from air conditioners, opening/closing doors, etc. Removing the foam cup increases the output noise by almost an order of magnitude in the 0.01Hz to 1Hz band! The kovar leads of the TO-5 (H) package are the primary culprit. Alloy 42 and copper lead frames used on dual-in-line packages are not nearly as sensitive to thermally generated noise because they are intrinsically matched.

There is nothing magical about foam cups—any enclosure which blocks air flow from the reference will do. Smaller enclosures are better since they do not allow the build-up of internally generated air movement. Naturally, heat generating components external to the reference itself should not be included inside the enclosure.

Effects of Air Movement on Low Frequency Noise

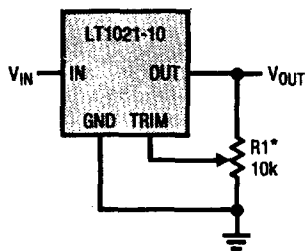
The LT1021 has very low noise because of the buried zener used in its design. In the 0.1Hz to 10Hz band, peak-to-peak noise is about 0.5ppm of the DC output. To achieve this low noise, however, care must be taken to shield the reference from ambient air turbulence. Air movement can create noise because of thermoelectric differences between IC package leads (especially kovar lead TO-5) and printed circuit board materials and/or sockets. Power dissipation in the reference, even though it rarely exceeds 20mW, is enough to cause small temperature gradients in the package leads. Variations in thermal resistance, caused by uneven air flow, create differential lead temperatures, thereby causing thermoelectric voltage noise at the output of the reference. The XY plotter trace shown below dramatically illustrates this effect. The first half of the plot was done with the LT1021

Noise Induced by Air Turbulence (TO-5 Package)



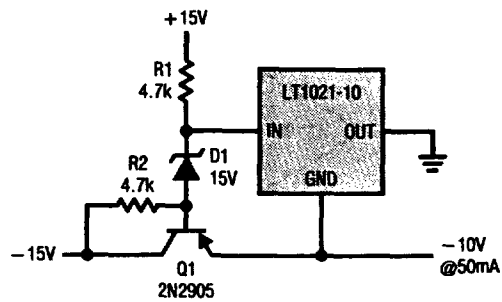
APPLICATION CIRCUITS

LT1021-10 Full Trim Range ($\pm 0.7\%$)



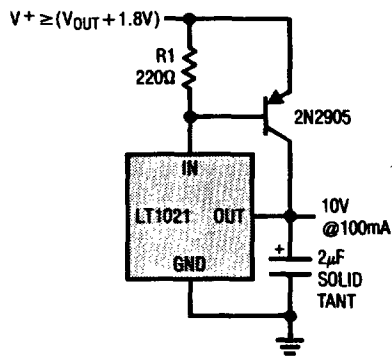
*CAN BE RAISED TO 20kΩ FOR LESS CRITICAL APPLICATIONS

Negative Series Reference

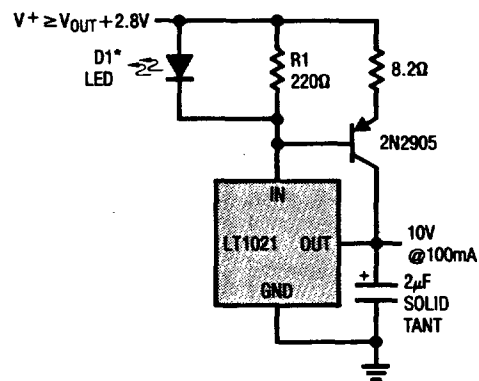


3

Boosted Output Current With No Current Limit



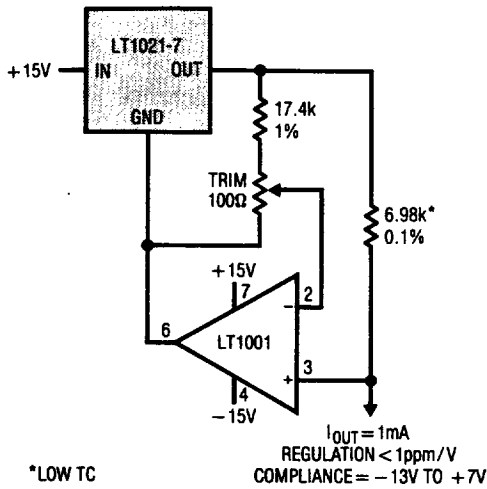
Boosted Output Current With Current Limit



*GLOWS IN CURRENT LIMIT. DO NOT OMIT.

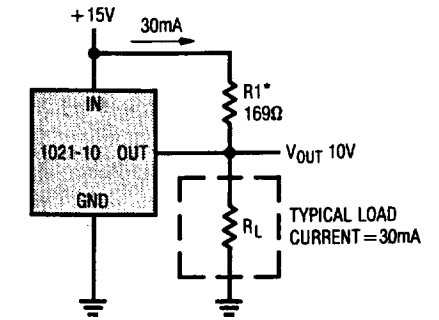
APPLICATION CIRCUITS

Ultra Precise Current Source



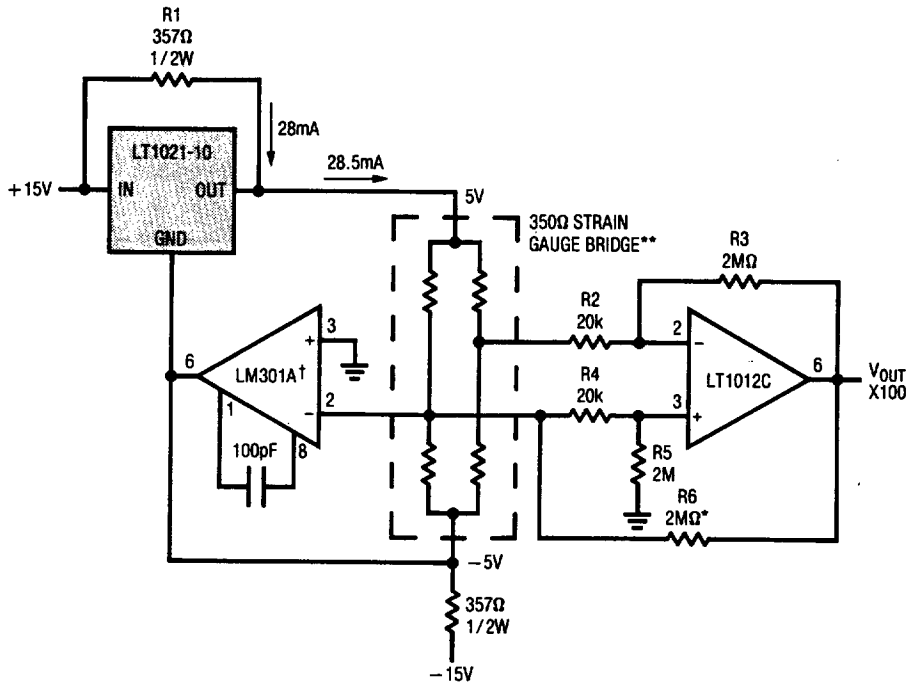
*LOW TC

Handling Higher Load Currents



*SELECT R1 TO DELIVER TYPICAL LOAD CURRENT. LT1021 WILL THEN SOURCE OR SINK AS NECESSARY TO MAINTAIN PROPER OUTPUT. DO NOT REMOVE LOAD AS OUTPUT WILL BE DRIVEN UNREGULATED HIGH. LINE REGULATION IS DEGRADED IN THIS APPLICATION.

Strain Gauge Conditioner for 350Ω Bridge

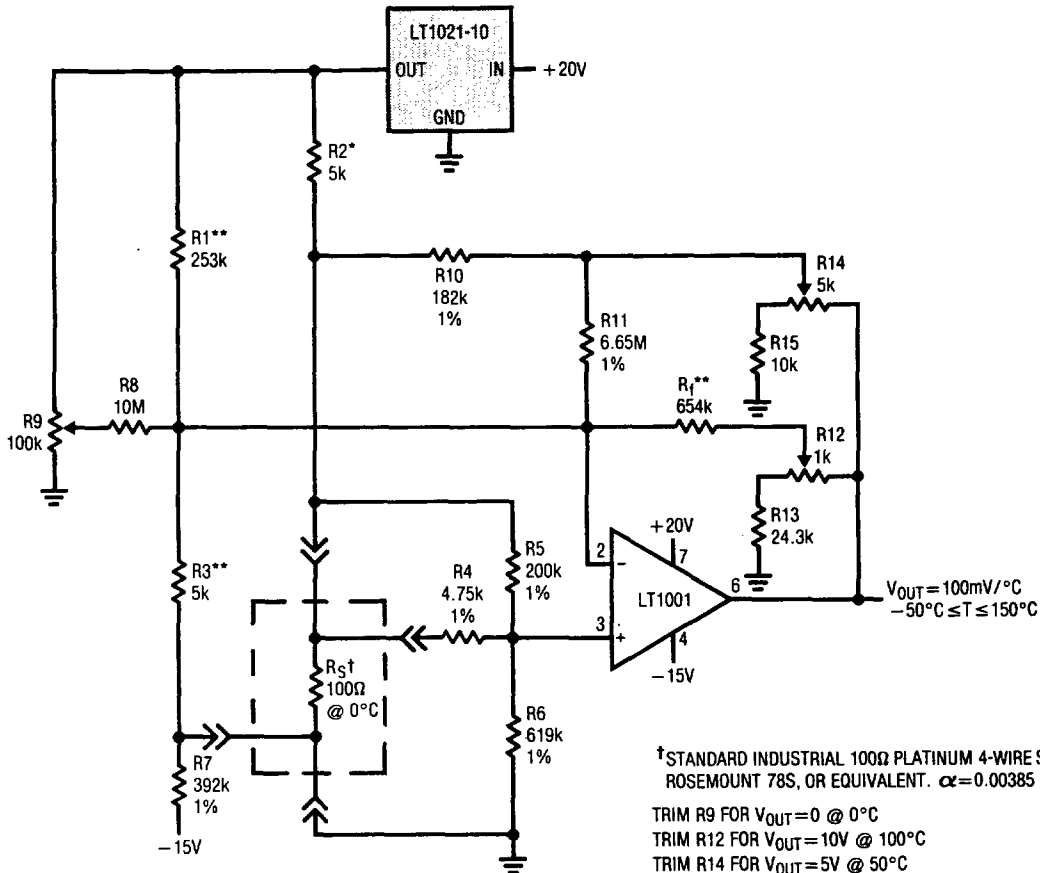


*THIS RESISTOR PROVIDES POSITIVE FEEDBACK TO THE BRIDGE TO ELIMINATE LOADING EFFECT OF THE AMPLIFIER. EFFECTIVE Z_{IN} OF AMPLIFIER STAGE IS $\geq 1\text{M}\Omega$. IF R2-R5 ARE CHANGED, SET R6=R3.

**BRIDGE IS ULTRA LINEAR WHEN ALL LEGS ARE ACTIVE, TWO IN COMPRESSION AND TWO IN TENSION, OR WHEN ONE SIDE IS ACTIVE WITH ONE COMPRESSED AND ONE TENSIONED LEG.
†OFFSET AND DRIFT OF LM301A ARE VIRTUALLY ELIMINATED BY DIFFERENTIAL CONNECTION OF LT1012C.

APPLICATION CIRCUITS

Ultra Linear Platinum Temperature Sensor*



†STANDARD INDUSTRIAL 100Ω PLATINUM 4-WIRE SENSOR, ROSEMOUNT 78S, OR EQUIVALENT. $\alpha = 0.00385$

TRIM R9 FOR $V_{OUT} = 0$ @ 0°C

TRIM R12 FOR $V_{OUT} = 10\text{V}$ @ 100°C

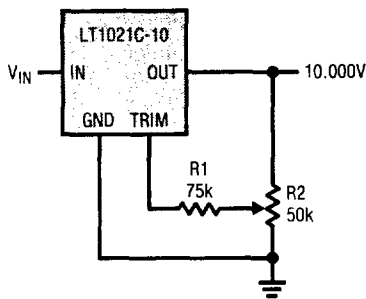
TRIM R14 FOR $V_{OUT} = 5\text{V}$ @ 50°C

USE TRIM SEQUENCE AS SHOWN. TRIMS ARE NON-INTERACTIVE SO THAT ONLY ONE TRIM SEQUENCE IS NORMALLY REQUIRED.

*FEEDBACK LINEARIZES OUTPUT TO $\pm 0.005^\circ\text{C}$ FROM -50°C TO $+150^\circ\text{C}$

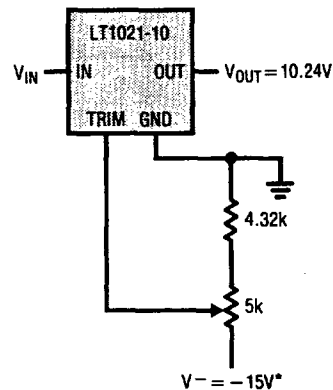
**WIREWOUND RESISTORS WITH LOW TC

Restricted Trim Range for Improved Resolution, 10V, "C" Version Only



TRIM RANGE $\approx \pm 10\text{mV}$

Trimming 10V Units to 10.24V



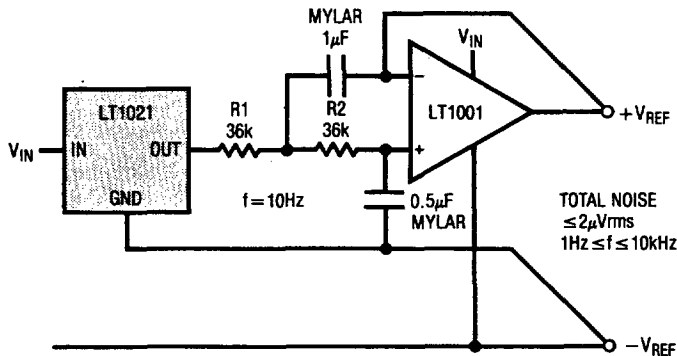
*MUST BE WELL REGULATED

$$\frac{dV_{OUT}}{dV} = \frac{15\text{mV}}{V}$$

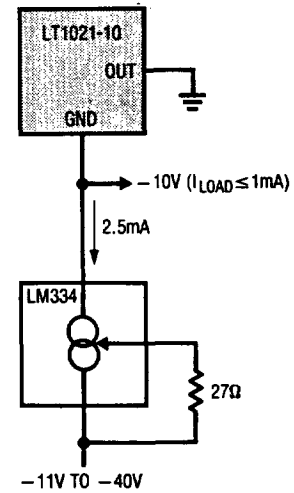
3

APPLICATION CIRCUITS

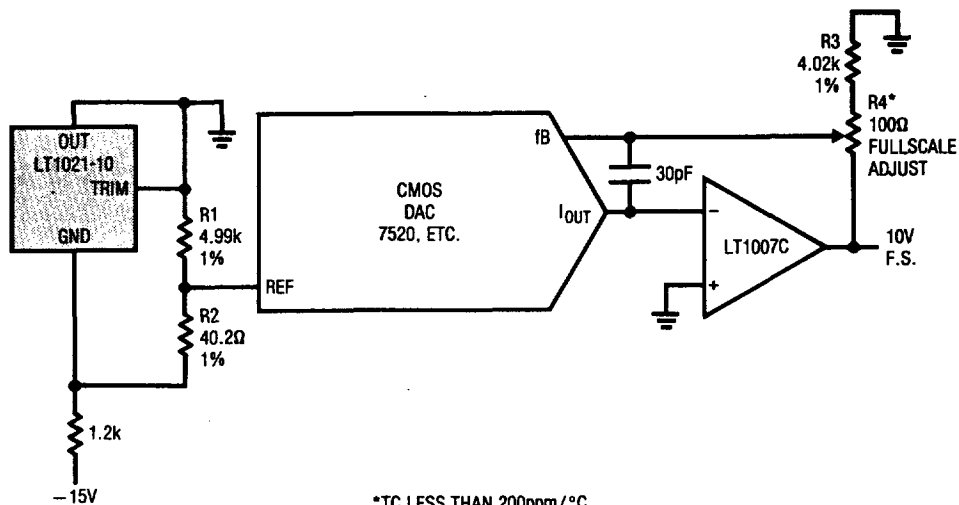
2-Pole Low Pass Filtered Reference



Negative Shunt Reference Driven by Current Source



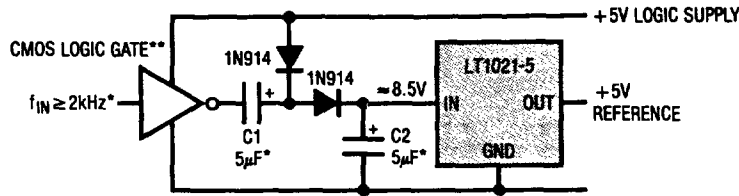
CMOS DAC with Low-Drift Full Scale Trimming**



*TC LESS THAN 200ppm/°C
 **NO ZERO ADJUST REQUIRED
 WITH LT1007 (V_{OS} ≤ 60µV)

APPLICATION CIRCUITS

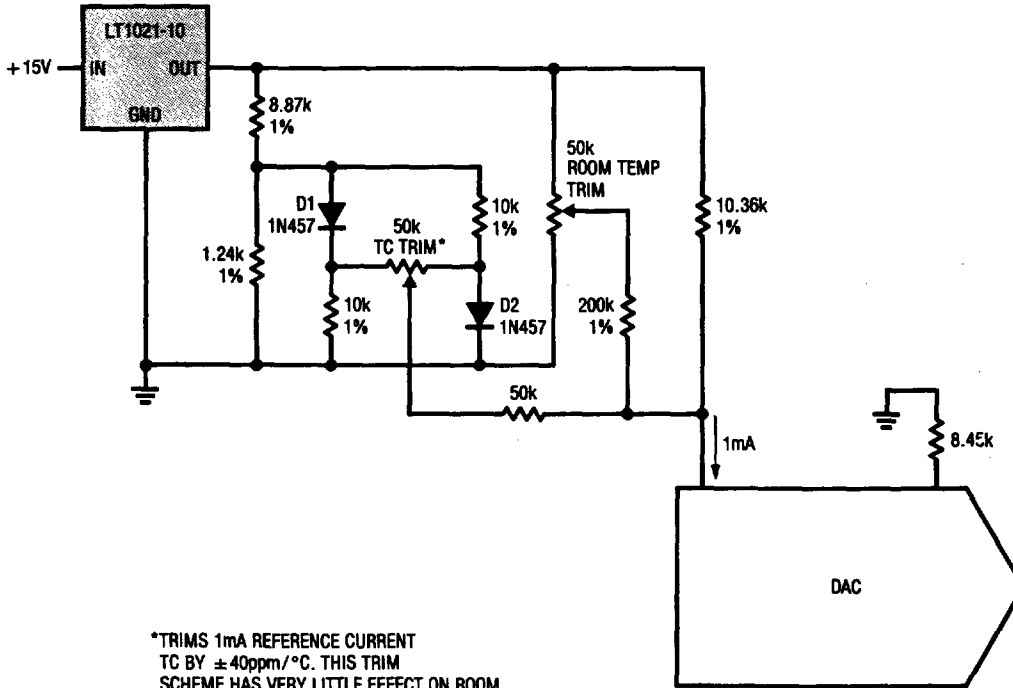
Operating 5V Reference from 5V Supply



*FOR HIGHER FREQUENCIES C1 AND C2 MAY BE DECREASED.
 **PARALLEL GATES FOR HIGHER REFERENCE CURRENT LOADING.

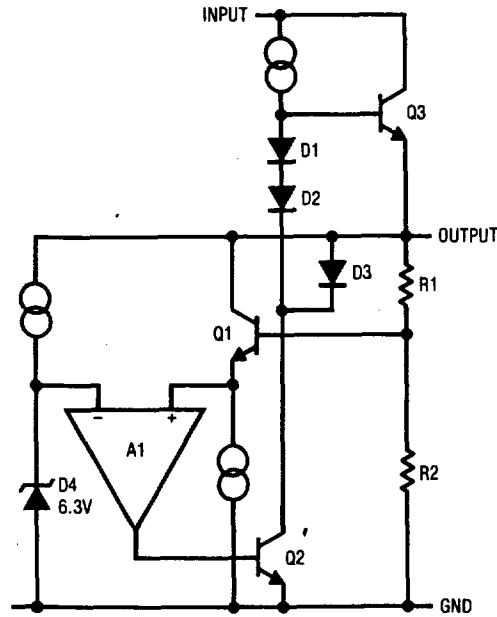
3

Precision DAC Reference with System TC Trim



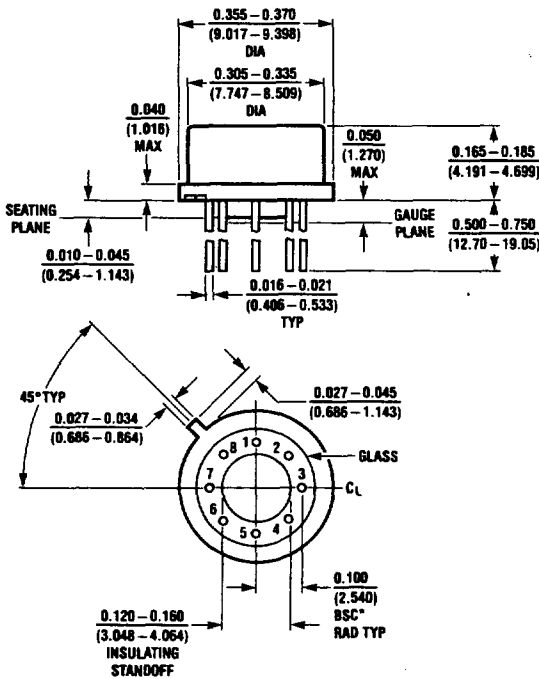
*TRIMS 1mA REFERENCE CURRENT
 TC BY $\pm 40\text{ppm}/^\circ\text{C}$. THIS TRIM
 SCHEME HAS VERY LITTLE EFFECT ON ROOM
 TEMPERATURE CURRENT TO MINIMIZE ITERATIVE
 TRIMMING.

EQUIVALENT SCHEMATIC



PACKAGE DESCRIPTION

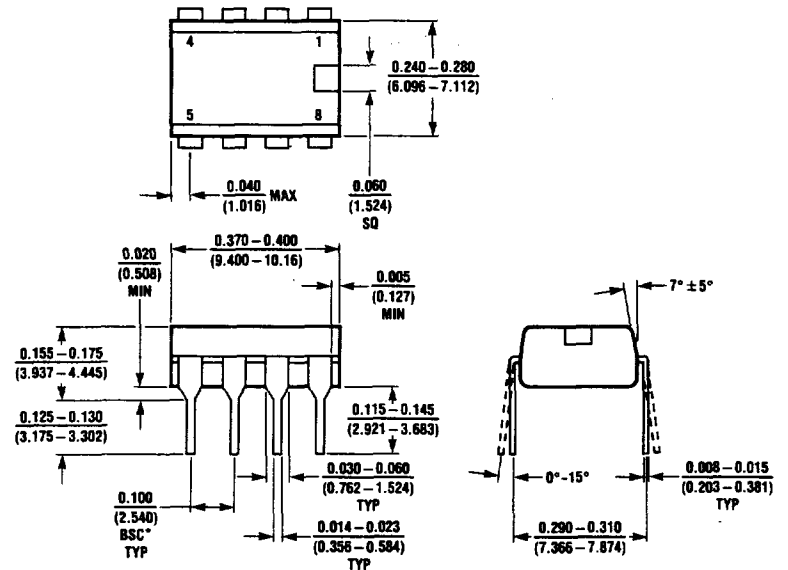
**H Package
Metal Can**



NOTE: DIMENSIONS IN INCHES (MILLIMETERS)

T_{jmax}	$\theta_{j\mu}$	θ_{jc}
150°C	150°C/W	45°C/W

**N8 Package
8 Lead Plastic**



NOTE: DIMENSIONS IN INCHES UNLESS OTHERWISE NOTED
*LEADS WITHIN 0.007 OF TRUE POSITION (TP) AT GAUGE PLANE

T_{jmax}	$\theta_{j\mu}$
100°C	130°C/W