



Application Specific Discretes
A.S.D.TM

HDP01-0512N

HARD DISK DRIVE POWER SUPPLY PROTECTION

APPLICATIONS

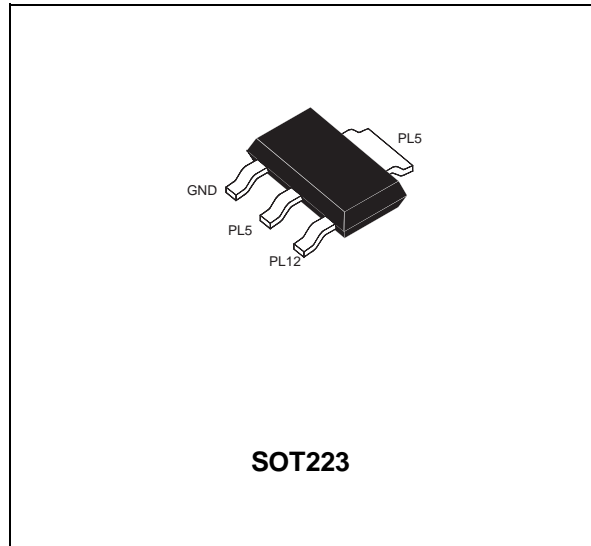
- PROTECTION FOR THE +5V AND +12V POWER LINES OF:
 - Hard disk drives
 - Floppy disk drives
 - CD-ROMs, CD-R, CD-RW
 - DVDs

FEATURES

- PROTECTION OF BOTH 5V AND 12V SUPPLY RAILS.
- MAXIMUM CURRENT ON THE 5V LINE 3A DURING 1s.
- MONOLITHIC INTEGRATION IN PLANAR TECHNOLOGY.

DESCRIPTION

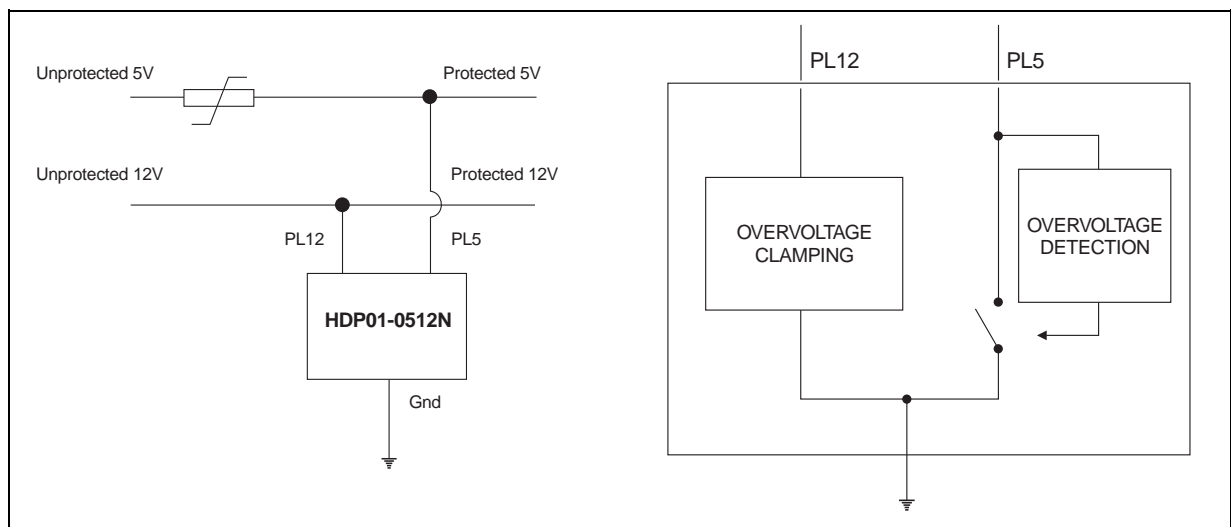
This device is dedicated to the protection of the +5V power supply line against transient overvoltages due to surge of power rails up to the activation of the serial thermal protection element. It is also dedicated to the protection of the +12V rail against transient overvoltages.



BENEFITS

- COMPONENT COUNT REDUCTION
- PCB SURFACE REDUCTION
- SIMPLIFIED SYSTEM PROTECTION DESIGN

BASIC APPLICATION DIAGRAM



note: The element in series with the 5V line is a resettable device, like Raychem Polyswitch MiniSMD075.

TM : ASD is trademark of STMicroelectronics.

HDP01-0512N

ABSOLUTE MAXIMUM RATINGS

Symbol	Parameter	Value	Unit
t_{on}	Conduction time with $I_{-PL5} = 3A$ DC (note1)	1	s
T_{op}	Operating temperature range	0 to + 75	°C
T_j	Maximum junction temperature	125	°C
T_{stg}	Storage temperature range	- 55 to + 150	°C
T_L	Lead solder temperature (10s duration)	260	°C

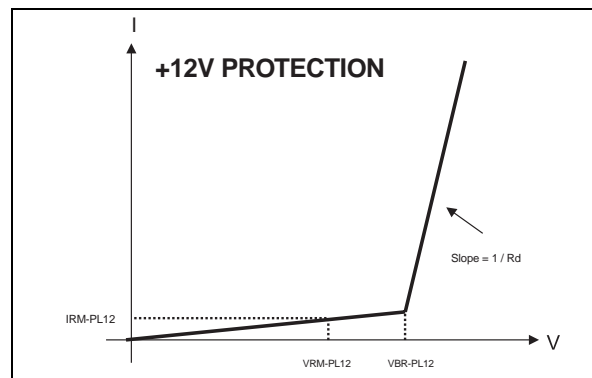
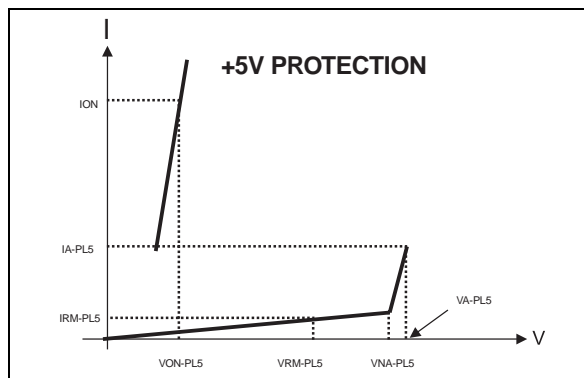
note 1 : I_{-PL5} is the current going through the 5V line (PL5)

THERMAL RESISTANCE

Symbol	Parameter	Value	Unit
$R_{th(j-t)}$	Junction to tab	30	°C/W
$R_{th(j-a)}$	Junction to ambient (note 2)	60	°C/W

note 2 : With $5cm^2$ copper ($e=35\mu m$) surface under tab.

ELECTRICAL CHARACTERISTICS ($T_{amb}=25^\circ C$)



ELECTRICAL CHARACTERISTICS ($T_{amb} = 25^\circ C$) PROTECTION OF 5 V LINE (PL5)

Symbol	Parameter	Value			Unit
		Min.	Typ.	Max.	
V_{NA-PL5}	Non activation voltage between PL5 and Gnd at $I_{RM}=100\mu A$	6.0			V
V_A-PL5	Activation voltage between PL5 and Gnd		7.0	7.4	V
I_{RM-PL5}	Leakage current between PL5 and Gnd at $V_{RM} = 5V$			1	μA
I_A-PL5	Activation current between PL5 and Gnd			10	mA
V_{ON-PL5}	Voltage drop on active state at $I_{ON}=3A$		1.3		V

PROTECTION OF 12 V LINE (PL12)

Symbol	Parameter	Value			Unit
		Min.	Typ.	Max.	
$V_{BR-PL12}$	Breakdown voltage at $I_R=1mA$	14		16	V
$I_{RM-PL12}$	Leakage current between PL12 and Gnd at $V_{RM} = 12V$			1	μA
R_d	Dynamic resistance. Square pulse $I_{pp}=3A$, $t_p = 2.5\mu s$		2.5		Ω

Fig. 1: Non repetitive surge peak on-state current versus pulse duration (rectangular waveform).

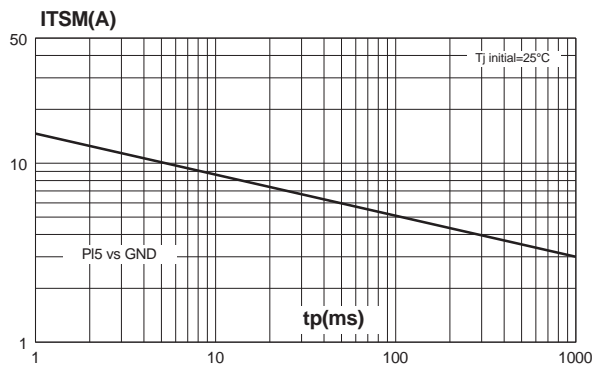


Fig. 2: Peak pulse power dissipation versus exponential pulse duration (T_j initial = 25°C).

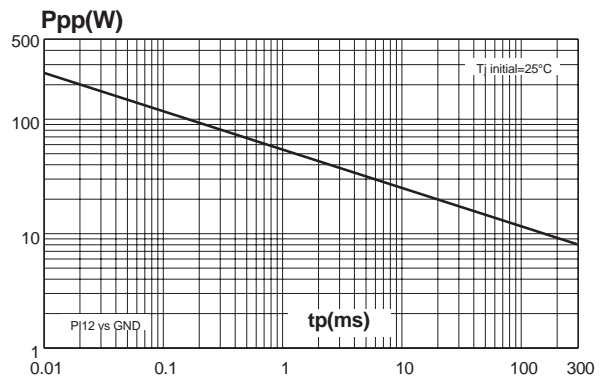


Fig. 3: Typical clamping voltage versus peak pulse current (rectangular waveform, $t_p=2.5\mu s$).

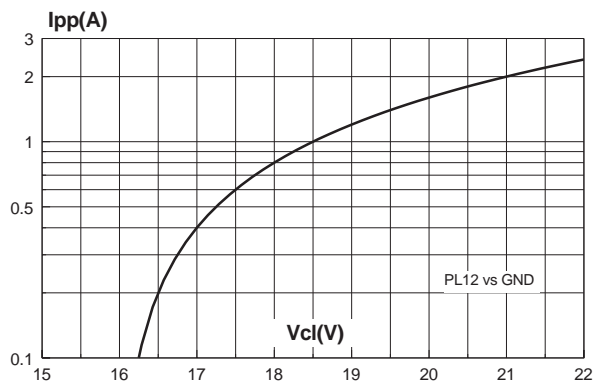
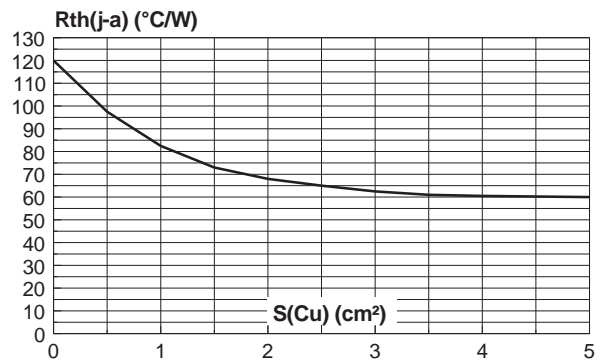
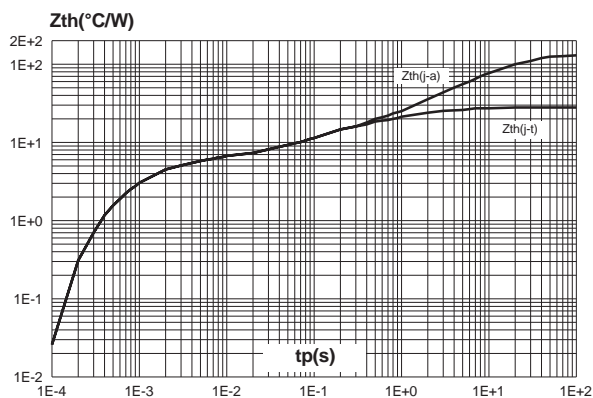


Fig. 4: Thermal resistance junction to ambient versus copper surface under tab (Epoxy printed circuit board FR4, copper thickness: 35 μm).



Note: $R_{th(j-a)} = (T_{jMax} - T_{amb}) / P_{Max}$

Fig. 5: Thermal impedance junction to ambient and junction to tab versus pulse duration.



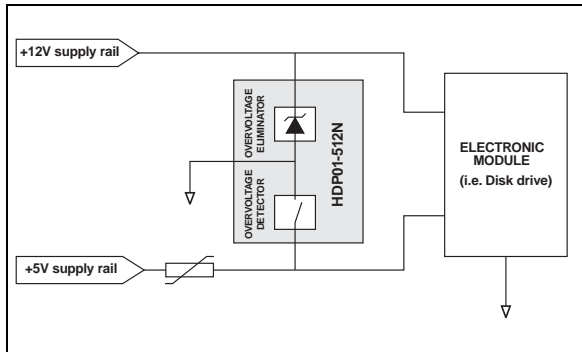
HDP01-0512N

APPLICATION INFORMATION

DESCRIPTION

The HDP01-0512N has been specially designed to protect equipment supplied by both +5 and +12 Volt power rails such as hard disk drives, CD-ROMs, DVDs, floppy disk drives with the topology indicated in figure A.1.

Fig. A.1: typical application schematic.



This protection device is able to protect both +5 and +12 Volts power rails against transients and rails inversion.

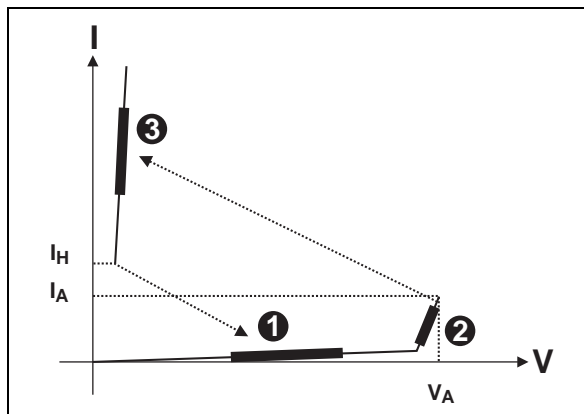
The internal +5V protection is achieved with a crowbar structure whereas the +12V one is secured by a clamping structure.

ABOUT THE +5V PROTECTION

In normal conditions, (region ❶ of figure A.2) the +5V protection (PL5 termination) of the HDP01-0512N connected to the +5V rail, is in idle state and its leakage current is $1\mu\text{A}$ max at +5V @ 25°C. Upon occurrence of transients, the HDP01-0512N eliminates the overvoltage by clamping up to a maximum of +7.4V (region ❷) since the current induced by the transient does not exceed the activation current I_A min (10mA).

If the I_A min current value is passed, the internal +5V protection trips in crowbar mode (region ❸) and then a short circuit appears on the +5V rail.

Fig. A.2: Current and voltage characteristic of the +5V protection.



The arrows indicate the way the device is activated from point ❷ to point ❸, and the way it goes back in idle state, point ❸ to point ❶.

Thanks to this behavior the electronic module (i.e. disk drive) connected to the +5V rail is safe.

As soon as the transient disappears and assuming that the current in the +5V power supply rail is under the holding current I_{Hmin} value (10mA) of the +5V protection, the HDP01-0512N gets back in idle state and the protected electronic module turns back on. As in many cases the current delivered by the +5V power supply is higher than the I_H min current value of the HDP01-0512N, it is necessary to use a serial protection on the +5V rail (i.e. resettable fuse), connected before the HDP protection. This will prevent the HDP01-0512N from being damaged by an over-rated dissipated power. The choice of the serial protector is led by both peak current and current duration the HDP01-0512N is able to support. The serial protection shall fulfill the next condition :

$$i^2t \text{ serial protection} < I_{TSM} @ t_p \text{ of +5V HDP protection.}$$

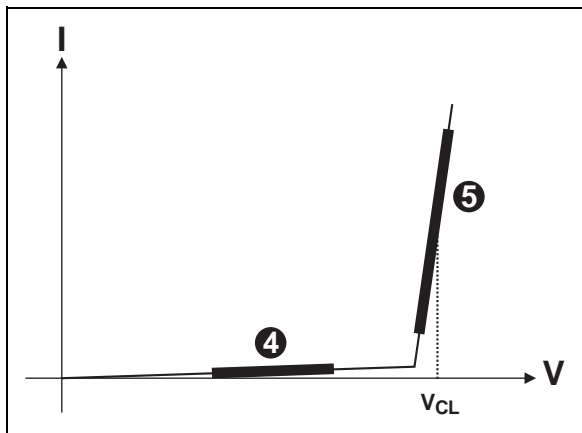
The I_{TSM} value as a function of the pulse duration t_p for the HDP01 device is given on the figure 1 of this datasheet.

In the case the supply cables of the +12V and +5V are reversed, the +5V (PL5) internal protection of the HDP01-512N immediately shorts circuits +5V rail and ensures an efficient protection of the electronic module.

ABOUT THE +12V PROTECTION

The +12V internal protection (PL12 termination) eliminates all transients appearing on the +12V supply rail. In normal conditions (region 4 of figure A.3) its leakage current is 1µA maximum at 12V @ 25°C. When a surge occurs on the +12V rail, the overvoltage is clamped (region 5) and the electronic module connected to this rail is protected.

Fig. A.3: Current and voltage characteristic of the +12V protection.



The clamping voltage (V_{cl}) is depending on several parameters which are :

- current induced by the transient (I_{pp})
- ambient temperature effect (αT)
- breakdown voltage of the protection (V_{BR})
- dynamic resistance of the protection (R_d)

To evaluate the clamping voltage appearing on the +12V rail when a transient occurs, the next formula is needed :

$V_{cl} = V_{BRmax} + R_d * I_{PP}$ with a typical R_d equals to 2.5Ω

I_{PP} is the peak current given by the transient which is :

$I_{PP} = (V_{transient} - V_{cl}) / R_s \Rightarrow V_{transient} = \text{peak voltage of the transient}$
 $\Rightarrow R_s$ is the series resistance of the surge generator.

If, for example, we consider a 50V combined surge $1.2/50\mu s - 8/20\mu s$, as defined by the standard IEC1000-4-5, the V_{cl} is calculated as:

$V_{cl} = 16 + 2.5 * I_{PP}$ and $I_{PP} = (50 - V_{cl}) / 42 \quad R_s = 42 \Omega$ (generator impedance)

then it comes up with $V_{cl} = 17.9V$ and $I_{PP} = 0.7A$

The impact of the temperature on the clamping voltage can be considered as to be :

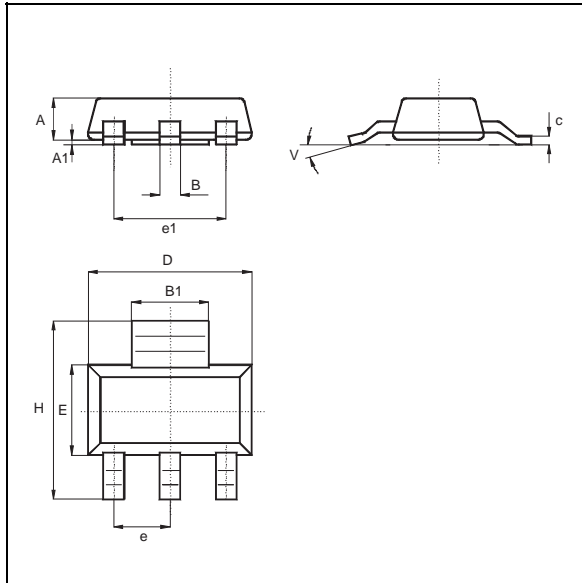
$V_{cl}(T^\circ C) = V_{cl}(25^\circ C) * (1 + \alpha T(T^\circ C - 25^\circ C))$ where $T^\circ C$ is the ambient temperature for which the module shall run.

The HDP01-0512N +12V protection has a power dissipation capability that is given in the figure 2 of this datasheet named "Peak pulse power versus exponential pulse duration". This figure is necessary to determine if the power involved in the +12V protection does not exceed the maximum power the HDP01 +12V protection can support. For example, considering the last calculation where $V_{cl}=17.9$ and $I_{PP}=0.7A$, the peak power is in that case $12.5W (V_{cl} * I_{PP})$ for a $20\mu s$ exponential surge duration. If we compare this value to the curve of figure 2, then we see the dissipated power is much lower than the +12V protection limit ($200W @ 20\mu s$) this tells us the +12V protection of the HDP01-0512N can easily withstand such a $12.5W$ surge.

HDP01-0512N

PACKAGE MECHANICAL DATA

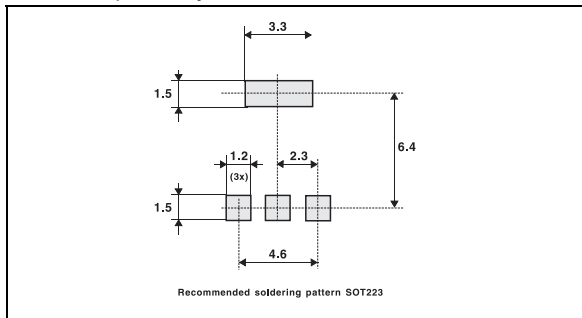
SOT223 (Plastic)



REF.	DIMENSIONS					
	Millimeters			Inches		
	Min.	Typ.	Max.	Min.	Typ.	Max.
A			1.80			0.071
A1		0.02			0.001	
B	0.60	0.70	0.80	0.024	0.027	0.031
B1	2.90	3.00	3.10	0.114	0.118	0.122
c	0.24	0.26	0.32	0.009	0.010	0.013
D	6.30	6.50	6.70	0.248	0.256	0.264
e		2.3			0.090	
e1		4.6			0.181	
E	3.30	3.50	3.70	0.130	0.138	0.146
H	6.70	7.00	7.30	0.264	0.276	0.287
V	10° max					

FOOT PRINT DIMENSIONS (in millimeters)

SOT223 (Plastic)



MARKING

Order code	Marking	Package	Weight	Packing	Base Qty
HDP01-0512NRL	HD1	SOT223	0.123 g	Tape & reel	1000pcs

Information furnished is believed to be accurate and reliable. However, STMicroelectronics assumes no responsibility for the consequences of use of such information nor for any infringement of patents or other rights of third parties which may result from its use. No license is granted by implication or otherwise under any patent or patent rights of STMicroelectronics. Specifications mentioned in this publication are subject to change without notice. This publication supersedes and replaces all information previously supplied. STMicroelectronics products are not authorized for use as critical components in life support devices or systems without express written approval of STMicroelectronics.

The ST logo is a registered trademark of STMicroelectronics

© 1999 STMicroelectronics - Printed in Italy - All rights reserved.

STMicroelectronics GROUP OF COMPANIES

Australia - Brazil - Canada - China - France - Germany - Italy - Japan - Korea - Malaysia - Malta - Mexico - Morocco - The Netherlands - Singapore - Spain - Sweden - Switzerland - Taiwan - Thailand - United Kingdom - U.S.A.

<http://www.st.com>