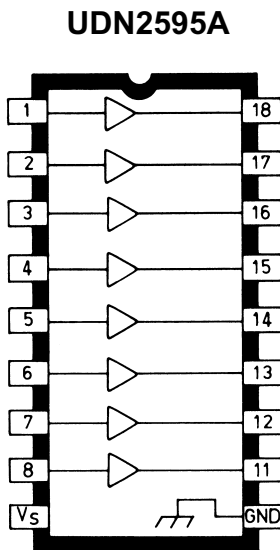


2595

8-CHANNEL SATURATED SINK DRIVERS



Dwg. No. A-11,407

ABSOLUTE MAXIMUM RATINGS at 25°C Free-Air Temperature for any one driver (unless otherwise noted)

| | |
|---|-----------------|
| Output Voltage, V_{CE} | 20 V |
| Supply Voltage, V_S | 20 V |
| Input Voltage, V_{IN} | 20 V |
| Output Current, I_C | 200 mA |
| Ground Terminal Current, I_{GND} ... | 1.6 A |
| Package Power Dissipation, P_D | See Graph |
| Operating Temperature Range, T_A | -20°C to +85°C |
| Storage Temperature Range, T_S | -55°C to +150°C |

Developed for use with low-voltage LED and incandescent displays requiring low output saturation voltage, the UDN2595A and A2595SLW meet many interface needs, including those exceeding the capabilities of standard logic buffers. The eight non-Darlington outputs of each driver can continuously and simultaneously sink load currents of 100 mA at ambient temperatures of up to +75°C.

The eight-channel driver's active-low inputs can be driven directly from TTL, Schottky TTL, DTL, 5 to 16 V CMOS, and NMOS logic. All input connections are on one side of the package, output connections on the other, for simplified printed wiring board layouts.

These drivers are packaged in plastic DIPs (suffix A) or surface-mountable wide-body SOICs (suffix LW), and are rated for operation over the temperature range of -20°C to +85°C. These devices are also available as the UDQ2595A and A2595ELW for operation to -40°C.

FEATURES

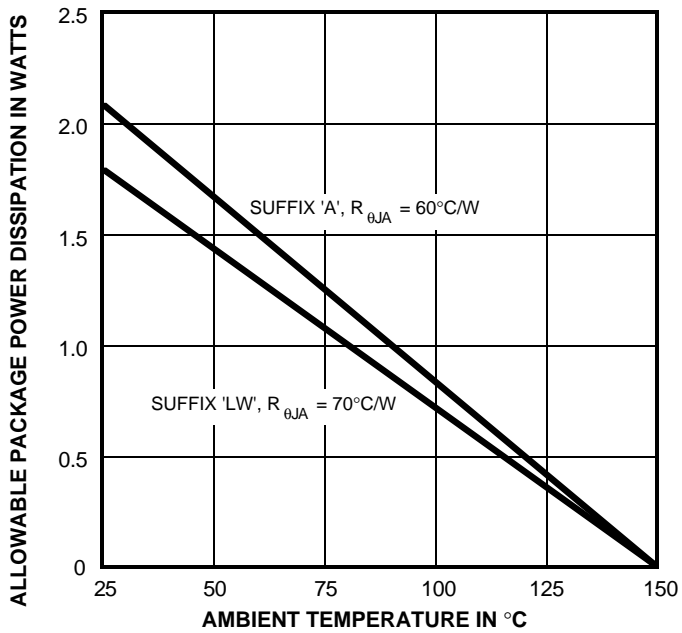
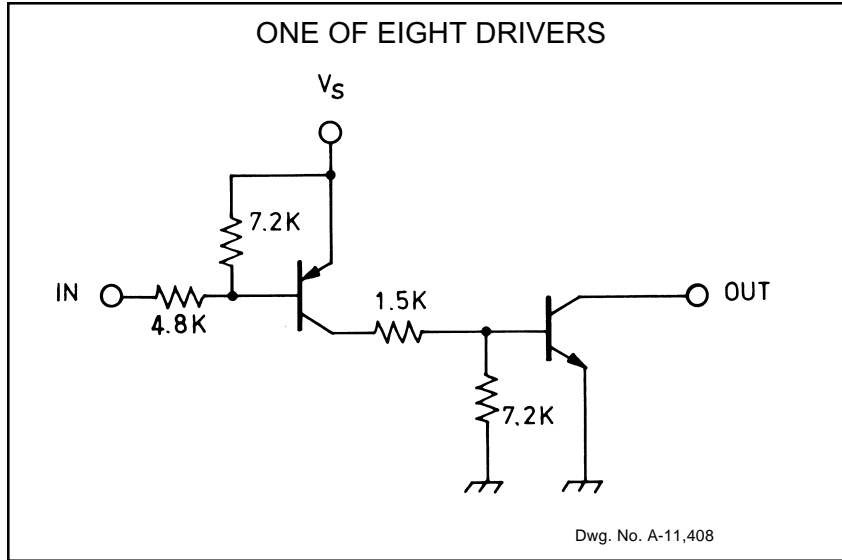
- Non-Inverting Function
(Input Low = Output ON)
- 200 mA Current Rating
- 100 mA Continuous and Simultaneous
(All outputs) to +85°C
- Low Saturation Voltage
- TTL, CMOS, NMOS Compatible
- Efficient Input/Output Pin Format
- DIP or SOIC Packaging

Always order by complete part number:

| Part Number | Package |
|-------------|------------------------|
| UDN2595A | 18-Pin DIP |
| A2595SLW | 20-Lead Wide-Body SOIC |

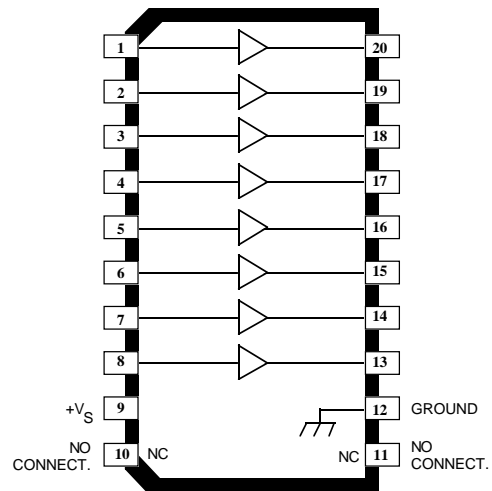
2595 8-CHANNEL SATURATED SINK DRIVERS

FUNCTIONAL BLOCK DIAGRAM



Dwg. GS-009-1

A2595SLW



Dwg. PP-064-1

2595
8-CHANNEL
SATURATED SINK DRIVERS

ELECTRICAL CHARACTERISTICS at $T_A = +25^\circ\text{C}$, $V_S = 5.0\text{ V}$ (unless otherwise noted).

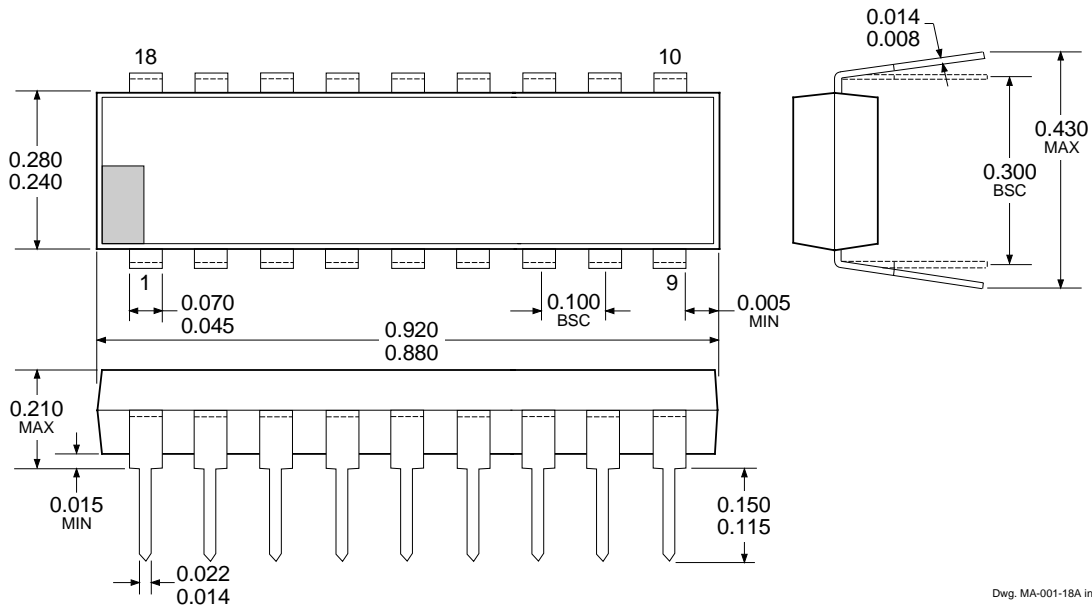
| Characteristic | Symbol | Test Conditions | Limits | | |
|---------------------------|---------------|---|--------|------|---------------|
| | | | Min. | Max. | Units |
| Output Leakage Current | I_{CEX} | $V_{IN} \geq 4.5\text{ V}$, $V_{OUT} = 20\text{ V}$, $T_A = 25^\circ\text{C}$ | — | 50 | μA |
| | | $V_{IN} \geq 4.6\text{ V}$, $V_{OUT} = 20\text{ V}$, $T_A = 70^\circ\text{C}$ | — | 100 | μA |
| Output Saturation Voltage | $V_{CE(SAT)}$ | $V_{IN} = 0.4\text{ V}$, $I_{OUT} = 50\text{ mA}$ | — | 0.5 | V |
| | | $V_{IN} = 0.4\text{ V}$, $I_{OUT} = 100\text{ mA}$ | — | 0.6 | V |
| Input Current | $I_{IN(ON)}$ | $V_{IN} = 0.4\text{ V}$, $I_{OUT} = 100\text{ mA}$ | — | -1.6 | mA |
| | | $V_{IN} = 0.4\text{ V}$, $I_{OUT} = 100\text{ mA}$, $V_S = 15\text{ V}$ | — | -5.0 | mA |
| Input Voltage | $V_{IN(ON)}$ | $I_{OUT} = 100\text{ mA}$, $V_{OUT} \leq 0.6\text{ V}$ | — | 0.4 | V |
| | $V_{IN(OFF)}$ | $I_{OUT} = 100\text{ }\mu\text{A}$, $T_A = 70^\circ\text{C}$ | 4.6 | — | V |
| Input Capacitance | C_{IN} | | — | 25 | pF |
| Supply Current | I_S | $V_{IN} = 0.4\text{ V}$, $I_{OUT} = 100\text{ mA}$ | — | 6.0 | mA |
| | | $V_{IN} = 0.4\text{ V}$, $I_{OUT} = 100\text{ mA}$, $V_S = 15\text{ V}$ | — | 20 | mA |

- NOTES: 1. Negative current is defined as coming out of the specified device pin.
 2. The $V_{IN(ON)}$ voltage limit guarantees a minimum output sink current per the specified conditions.
 3. I_S is measured with any one of eight drivers turned ON.

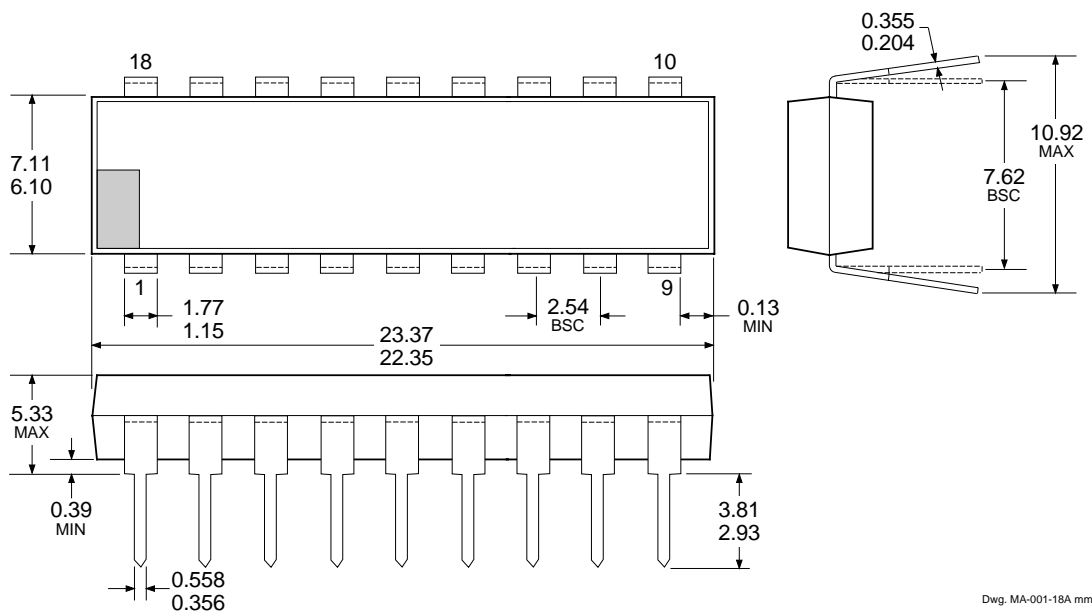
2595 8-CHANNEL SATURATED SINK DRIVERS

UDN2595A

Dimensions in Inches
(controlling dimensions)



Dimensions in Millimeters
(for reference only)

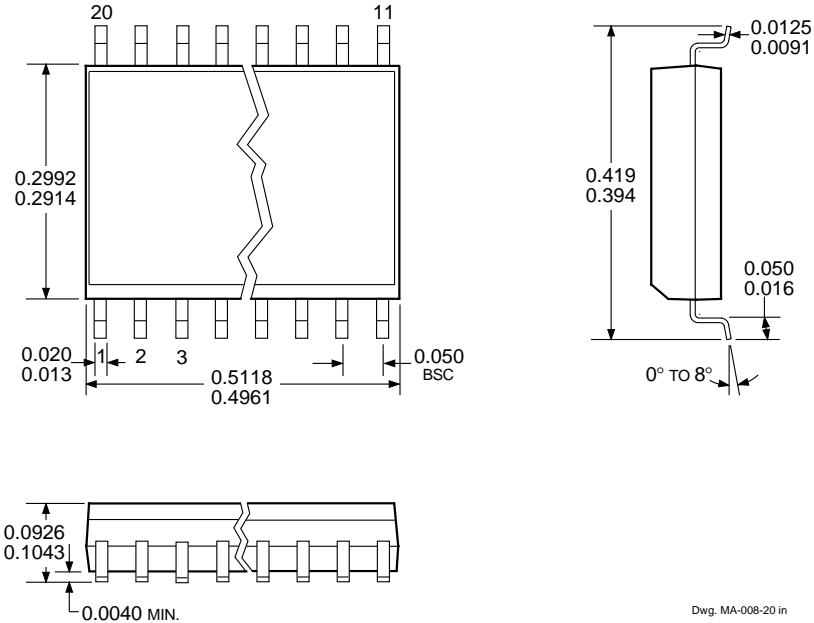


- NOTES:
1. Exact body and lead configuration at vendor's option within limits shown.
 2. Lead spacing tolerance is non-cumulative.
 3. Lead thickness is measured at seating plane or below.

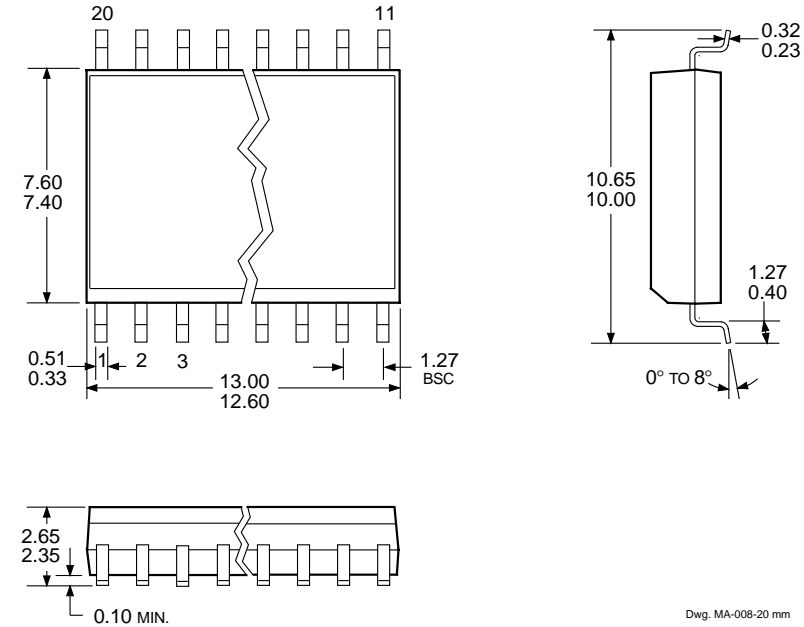
2595
8-CHANNEL
SATURATED SINK DRIVERS

A2595SLW

Dimensions in Inches
 (for reference only)



Dimensions in Millimeters
 (controlling dimensions)



- NOTES: 1. Exact body and lead configuration at vendor's option within limits shown.
 2. Lead spacing tolerance is non-cumulative.

2595
8-CHANNEL
SATURATED SINK DRIVERS

Allegro MicroSystems, Inc. reserves the right to make, from time to time, such departures from the detail specifications as may be required to permit improvements in the design of its products.

The information included herein is believed to be accurate and reliable. However, Allegro MicroSystems, Inc. assumes no responsibility for its use; nor for any infringements of patents or other rights of third parties which may result from its use.



115 Northeast Cutoff, Box 15036
Worcester, Massachusetts 01615-0036 (508) 853-5000

2595
8-CHANNEL
SATURATED SINK DRIVERS

This page is intentionally left blank

2595
8-CHANNEL
SATURATED SINK DRIVERS

POWER SINK DRIVERS
SELECTION GUIDE

IN ORDER OF 1) OUTPUT CURRENT, 2) OUTPUT VOLTAGE, 3) NUMBER OF DRIVERS

| Output Ratings * | | | Features | | | | | Part Number † |
|------------------|-----|----|----------------------------------|--------------------|-------------|-------------------|---------------------|---------------|
| mA | V | # | Serial Input | Latched Drivers | Diode Clamp | Saturated Outputs | Internal Protection | |
| 100 | 20 | 8 | – | – | – | X | – | 2595 |
| | 30 | 32 | X | X | – | – | – | 5833 |
| | 40 | 32 | X | X | – | X | – | 5832 |
| 250 | 135 | 7 | – | – | X | – | – | 7003 |
| 300 | 45 | 1 | | Hall Sensor/Driver | X | – | X | 5140 |
| | 50 | 7 | – | – | X | – | – | 2003 |
| | 50 | 8 | – | – | X | – | – | 2803 |
| | 50 | 8 | – | – | X | X | – | 2596 |
| | 60 | 2 | | Hall Sensor/Driver | – | X | – | 5275 |
| | 60 | 4 | – | – | X | X | X | 2557 |
| | 95 | 7 | – | – | X | – | – | 2023 |
| | 95 | 8 | – | – | X | – | – | 2823 |
| 350 | 50 | 4 | – | X | X | – | – | 5800 |
| | 50 | 7 | – | – | X | – | – | 2004 |
| | 50 | 8 | – | – | X | – | – | 2804 |
| | 50 | 8 | – | X | X | – | – | 5801 |
| | 50 | 8 | X | X | – | – | – | 5821 |
| | 80 | 8 | X | X | – | – | – | 5822 |
| | 50 | 8 | X | X | X | – | – | 5841 |
| | 80 | 8 | X | X | X | – | – | 5842 |
| | 95 | 7 | – | – | X | – | – | 2024 |
| | 95 | 8 | – | – | X | – | – | 2824 |
| 450 | 30 | 28 | Dual 4 to 14-Line Decoder/Driver | | | – | – | 6817 |
| 600 | 60 | 4 | – | – | – | X | X | 2547 |
| | 60 | 4 | – | – | X | X | X | 2549 |
| 700 | 60 | 4 | – | – | X | X | X | 2543 and 2559 |
| 750 | 50 | 8 | – | – | X | X | – | 2597 |
| 900 | 14 | 2 | | Hall Sensor/Driver | X | X | X | 3625 |
| | 26 | 2 | | Hall Sensor/Driver | X | X | X | 3626 |
| 1000 | 46 | 4 | Stepper Motor Controller/Driver | | | MOS | – | 7024 and 7029 |
| 1200 | 46 | 4 | Microstepping Controller/Driver | | | MOS | – | 7042 |
| 1250 | 50 | 4 | Stepper Motor Translator/Driver | | | – | X | 5804 |
| | 50 | 4 | – | – | X | – | – | 2064 and 2068 |
| 1500 | 80 | 4 | – | – | X | – | – | 2065 and 2069 |
| 1600 | 50 | 9 | X | X | – | – | X | 5829 |
| 1800 | 50 | 4 | – | – | X | – | – | 2544 |
| | 50 | 4 | – | – | X | – | – | 2540 |
| 3000 | 46 | 4 | Stepper Motor Controller/Driver | | | MOS | – | 7026 |
| | 46 | 4 | Microstepping Controller/Driver | | | MOS | – | 7044 |
| 4000 | 50 | 4 | – | – | X | – | – | 2878 |
| | 80 | 4 | – | – | X | – | – | 2879 |

* Current is maximum specified test condition, voltage is maximum rating. See specification for sustaining voltage limits or over-current protection voltage limits.

† Complete part number includes additional characters to indicate operating temperature range and package style.



115 Northeast Cutoff, Box 15036
Worcester, Massachusetts 01615-0036 (508) 853-5000