

AN5534N

Vertical deflection output IC

■ Overview

The AN5534N is a vertical deflection output IC for television and CRT monitor. Incorporating a sawtooth wave generator, this IC enables you to form an AC/DC feedback-loop by itself only.

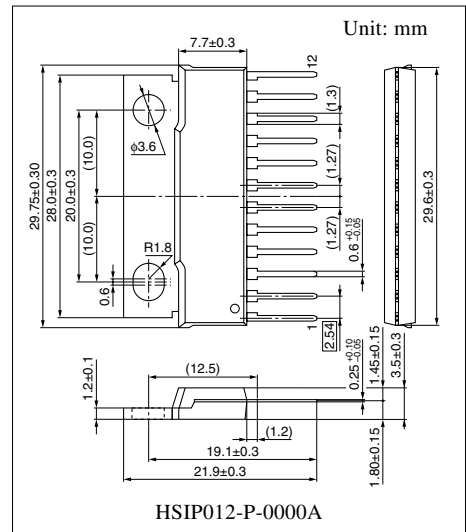
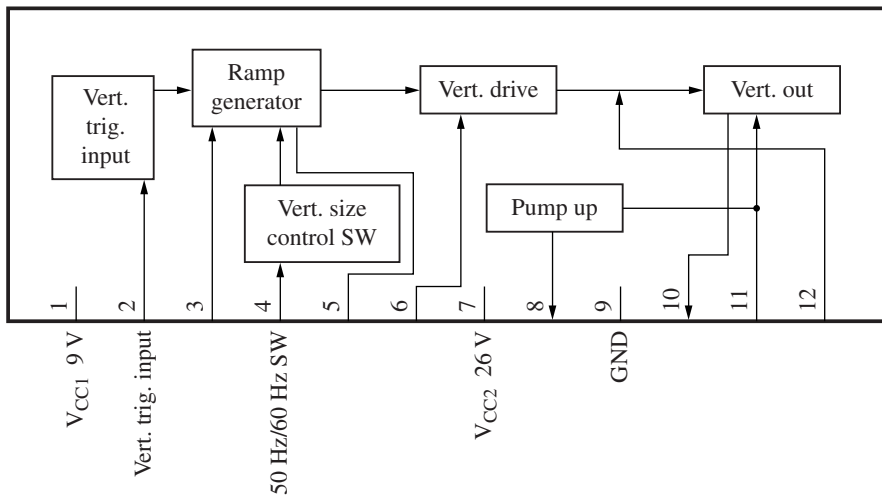
■ Features

- Built-in stable sawtooth wave generator independent of input pulse width variation
- Built-in 50 Hz/60 Hz changeover circuit
- Minimum fly-back time of saw-tooth wave signal: 100 μ s

■ Applications

- Televisions and CRT displays

■ Block Diagram



Note) The package of this product will be changed to lead-free type (HSIP012-P-0000E). See the new package dimensions section later of this datasheet.

■ Pin Descriptions

Pin No.	Description	Pin No.	Description
1	Power supply 1	7	Power supply 2
2	Vertical pulse input	8	Pulse amplification
3	Vertical amplitude control	9	GND
4	50 Hz/60 Hz changeover	10	Vertical output
5	Saw-tooth wave generation	11	Power supply for vertical output
6	AC/DC feedback input	12	Prevention from oscillation

■ Absolute Maximum Ratings

Parameter	Symbol	Rating	Unit
Supply voltage	V_{CC1}	15	V
	V_{CC2}	30	
Pin voltage	V_{2-9}	0 to 2.7	V
	V_{4-9}	0 to V_{1-9}	
	V_{5-9}	0 to V_{1-9}	
	V_{6-9}	0 to V_{1-9}	
	V_{10-9}	0 to 61	
	V_{11-9}	0 to 61	
Supply current	I_{CC1}	20	mA
Pin current	I_3	-0.2 to 0	mA
	I_8	-1.8 to +1.8	
	I_{10}	-2.2 to +2.2	
Power dissipation	P_D	27	W
Operating ambient temperature *	T_{opr}	-20 to +70	°C
Storage temperature *	T_{stg}	-55 to +150	°C

Note) 1. Do not apply external currents or voltages to any pins not specifically mentioned.

2. For circuit currents, '+' denotes current flowing into the IC, and '-' denotes current flowing out of the IC.

3. * : Except for the operating ambient temperature and storage temperature, all ratings are for $T_a = 25^\circ\text{C}$.

■ Recommended Operating Range

Parameter	Symbol	Range	Unit
Supply voltage	V_{CC1}	7 to 15	V
	V_{CC2}	10 to 30	

■ Electrical Characteristics at $T_a = 25^\circ\text{C}$

Parameter	Symbol	Conditions	Min	Typ	Max	Unit
Load short-circuit	R. short	$V_{CC2} = 26\text{ V}$	Free from breakdown			
Deflection current	I_{HP-P}	$V_{CC2} = 26\text{ V}$, $V_5 = 2.2\text{ V[p-p]}$ Sine wave 1 kHz	1.8	2.0	2.2	A[p-p]
Vertical amplifier distortion factor	T. H. D_H	$V_{CC2} = 26\text{ V}$, $V_5 = 2.2\text{ V[p-p]}$ Sine wave 1 kHz	—	2.0	5.0	%
Input threshold voltage	V_2	Refer to the "• Test method"	0.5	0.7	1.0	V
Sawtooth wave generating start voltage	V_5	Refer to the "• Test method"	3.6	4.5	5.4	V
Middle point voltage	V_{MID}		11.5	12.8	14.1	V
Idling current	I_{11}		21.0	36.0	51.0	mA
Output saturation voltage (lower)	V_{11-10}	$V_7 = \text{GND}$	—	3.0	4.0	V
Output saturation voltage (upper)	V_{10-9}	$V_7 = \text{GND}$	—	1.5	2.5	V
Pump up charging saturation voltage	V_{8-9}	$V_7 = \text{GND}$	—	0.2	0.5	V
Pump up discharging saturation voltage	V_{7-8}	$V_7 = \text{GND}$	—	3.0	4.0	V

• Test method

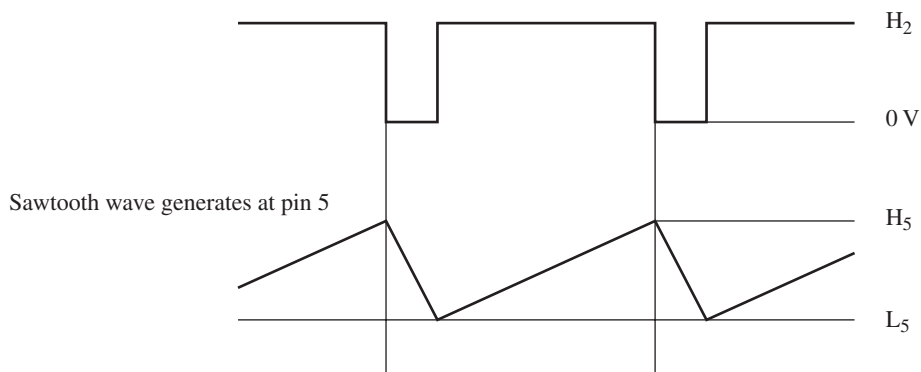
1. Input threshold voltage (V_2)

H_2 voltage at which a saw-tooth wave shown below is generated at pin 5 when H_2 voltage is gradually increased from 0 V

2. Saw-tooth wave generating start voltage (V_5)

Lower level voltage of a sawtooth wave which generates at pin 5

Input pulse of pin 2



■ Usage Notes

- Inter-pin short-circuit test result

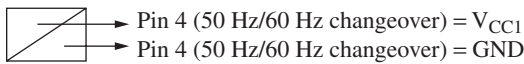
1												
2	●											
3	●	●										
4	●	▲	●	●								
5	●	●	●	●								
6	●	●	●	●	●							
7	▲	●	●	▲	▲	×	●					
8	●	●	●	●	●	●	●	●				
9	▲	●	●	▲	●	●	●	▲	●			
10	●	●	●	●	×	●	●	●	●	×		
11	●	●	●	▲	▲	×	●	●	●	▲	●	
12	●	●	●	●	●	●	●	●	●	●	●	
Pin No.	1	2	3	4	5	6	7	8	9	10	11	12

Test conditions: $V_{CC} = 30\text{ V}$, DC power supply (30 V, 5 A)

●: IC does not break down even if pins are short-circuited.

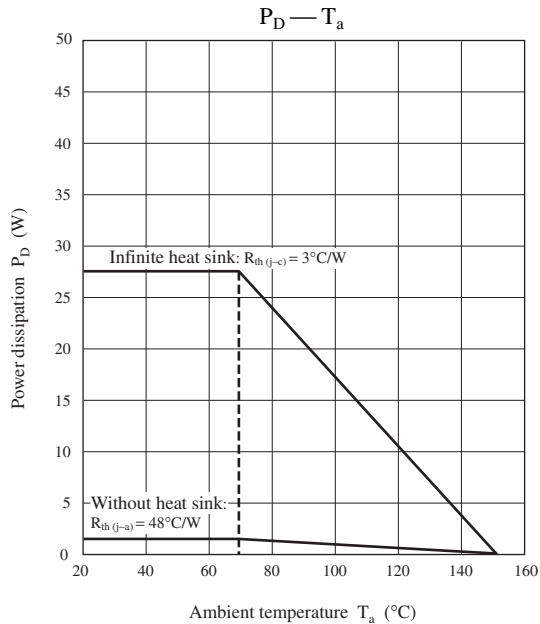
×: IC breaks down if pins are short-circuited.

▲: IC does not break down even if pins are short-circuited, but it causes over-current flows in the external power supply circuit.



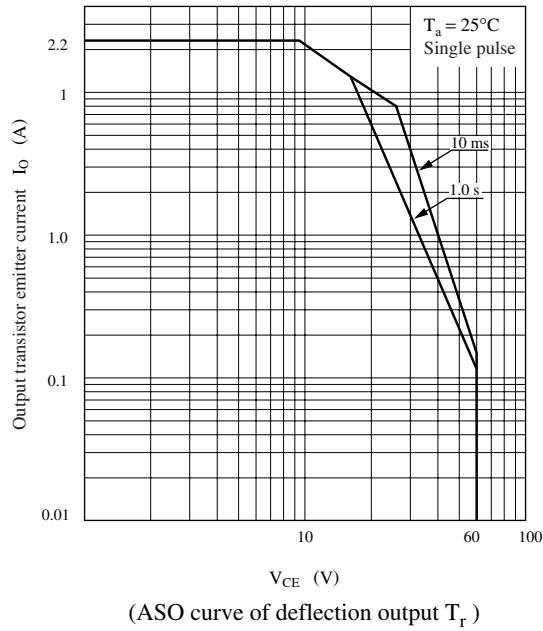
■ Technical Information

1. $P_D - T_a$ curves of HSIP012-P-0000A



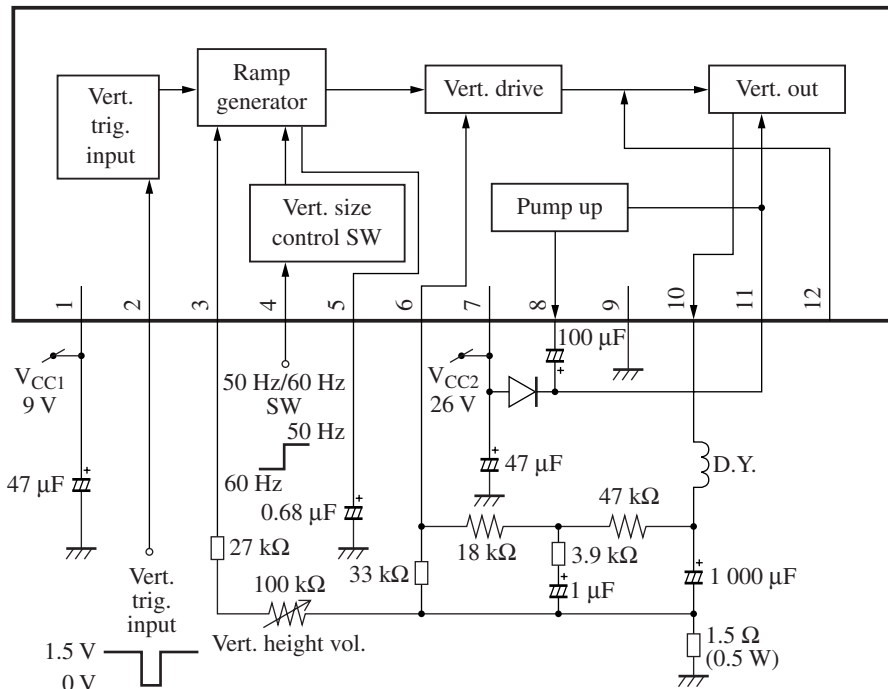
■ Technical Information (continued)

2. Area of safe operation (ASO) of output transistor forward-biased



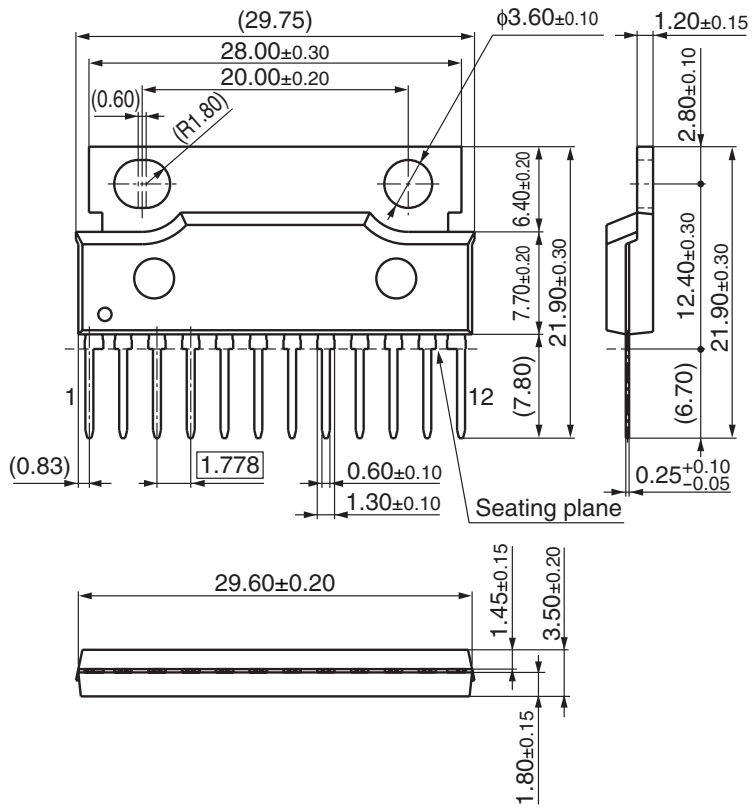
Note) The maximum value of deflection current for the actual use is suitable within ± 1.5 A[0-p] (3 A[p-p]).

■ Application Circuit Example



■ New Package Dimensions (Unit: mm)

- HSIP012-P-0000E (Lead-free package)



Request for your special attention and precautions in using the technical information and semiconductors described in this material

- (1) An export permit needs to be obtained from the competent authorities of the Japanese Government if any of the products or technologies described in this material and controlled under the "Foreign Exchange and Foreign Trade Law" is to be exported or taken out of Japan.
- (2) The technical information described in this material is limited to showing representative characteristics and applied circuit examples of the products. It does not constitute the warranting of industrial property, the granting of relative rights, or the granting of any license.
- (3) The products described in this material are intended to be used for standard applications or general electronic equipment (such as office equipment, communications equipment, measuring instruments and household appliances).
Consult our sales staff in advance for information on the following applications:
 - Special applications (such as for airplanes, aerospace, automobiles, traffic control equipment, combustion equipment, life support systems and safety devices) in which exceptional quality and reliability are required, or if the failure or malfunction of the products may directly jeopardize life or harm the human body.
 - Any applications other than the standard applications intended.
- (4) The products and product specifications described in this material are subject to change without notice for reasons of modification and/or improvement. At the final stage of your design, purchasing, or use of the products, therefore, ask for the most up-to-date Product Standards in advance to make sure that the latest specifications satisfy your requirements.
- (5) When designing your equipment, comply with the guaranteed values, in particular those of maximum rating, the range of operating power supply voltage and heat radiation characteristics. Otherwise, we will not be liable for any defect which may arise later in your equipment.
Even when the products are used within the guaranteed values, redundant design is recommended, so that such equipment may not violate relevant laws or regulations because of the function of our products.
- (6) When using products for which dry packing is required, observe the conditions (including shelf life and after-unpacking standby time) agreed upon when specification sheets are individually exchanged.
- (7) No part of this material may be reprinted or reproduced by any means without written permission from our company.

Please read the following notes before using the datasheets

- A. These materials are intended as a reference to assist customers with the selection of Panasonic semiconductor products best suited to their applications.
Due to modification or other reasons, any information contained in this material, such as available product types, technical data, and so on, is subject to change without notice.
Customers are advised to contact our semiconductor sales office and obtain the latest information before starting precise technical research and/or purchasing activities.
- B. Panasonic is endeavoring to continually improve the quality and reliability of these materials but there is always the possibility that further rectifications will be required in the future. Therefore, Panasonic will not assume any liability for any damages arising from any errors etc. that may appear in this material.
- C. These materials are solely intended for a customer's individual use.
Therefore, without the prior written approval of Panasonic, any other use such as reproducing, selling, or distributing this material to a third party, via the Internet or in any other way, is prohibited.