



**Compact PCI Hot-Swap Controller
With IPMI Support**

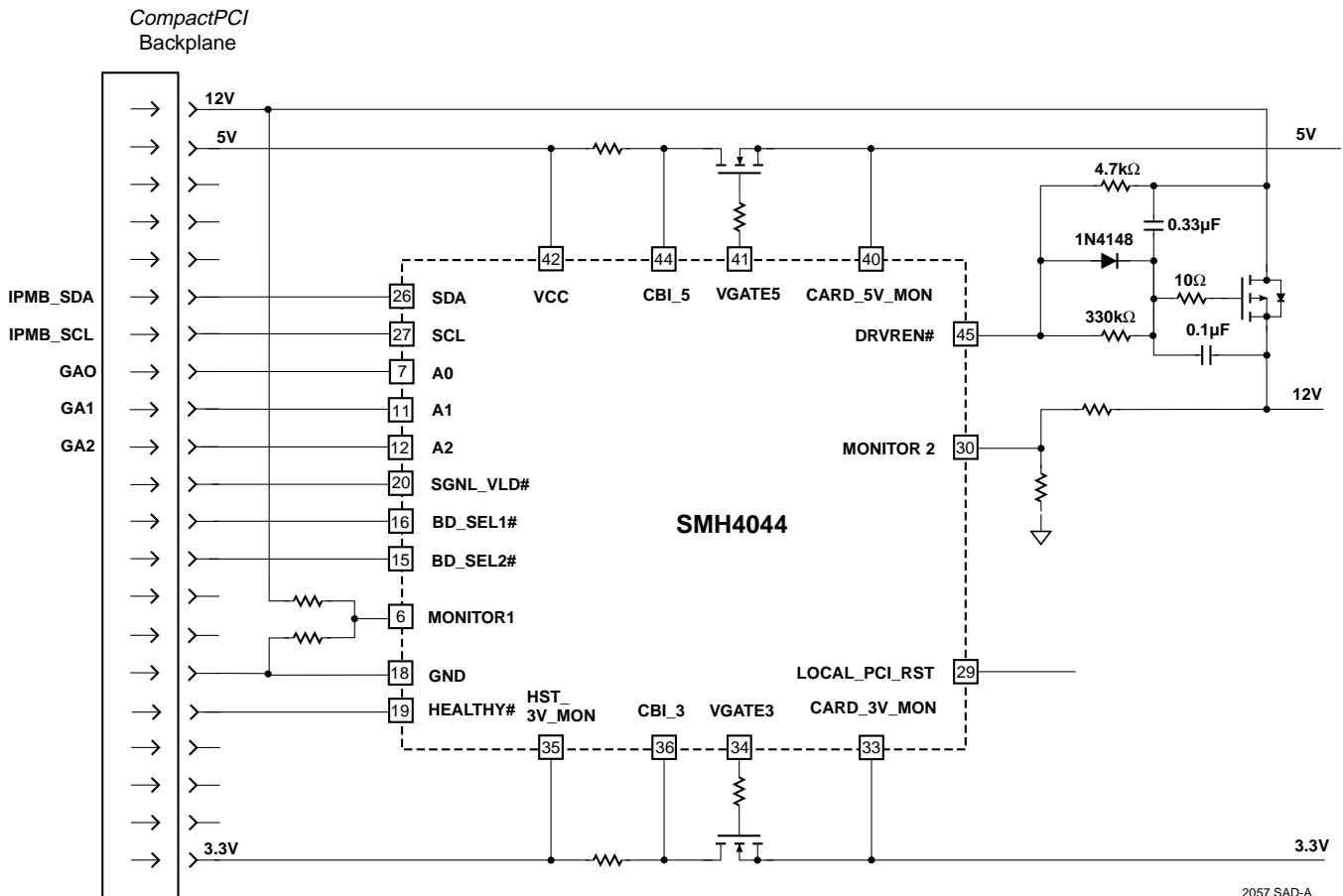
Preliminary

FEATURES

- IPMI Implementation
 - ◆ IPMB Interface
 - ◆ Software Controlled Power-Up/-Down
 - ◆ Status Reporting: 5V, 3.3V, V1, V2, Healthy, Signal Valid, Reset
 - ◆ 2k-Bit E²PROM Memory
- Full Voltage Control for Hot Swap Applications
 - ◆ Detect, Monitors and Controls up to 4 independent supplies
- 14V High Side Driver Generation Allows use of Low On Resistance N-Channel FETs
- Under-Voltage Lockout
- Electronic Circuit Breakers
 - ◆ Programmable Over-current Levels
- Card Insertion Detection
- Card Voltage Sequencing
- Flexible Reset Control
 - ◆ Low Voltage Resets
 - ◆ Host Reset Filtering
 - ◆ Soft Reset
- Adjustable Power On Slew Rate



SIMPLIFIED APPLICATION DRAWING



Simplified Application Drawing — Triple Voltage Hot Swap (12V, 5V, 3.3V)



DESCRIPTION

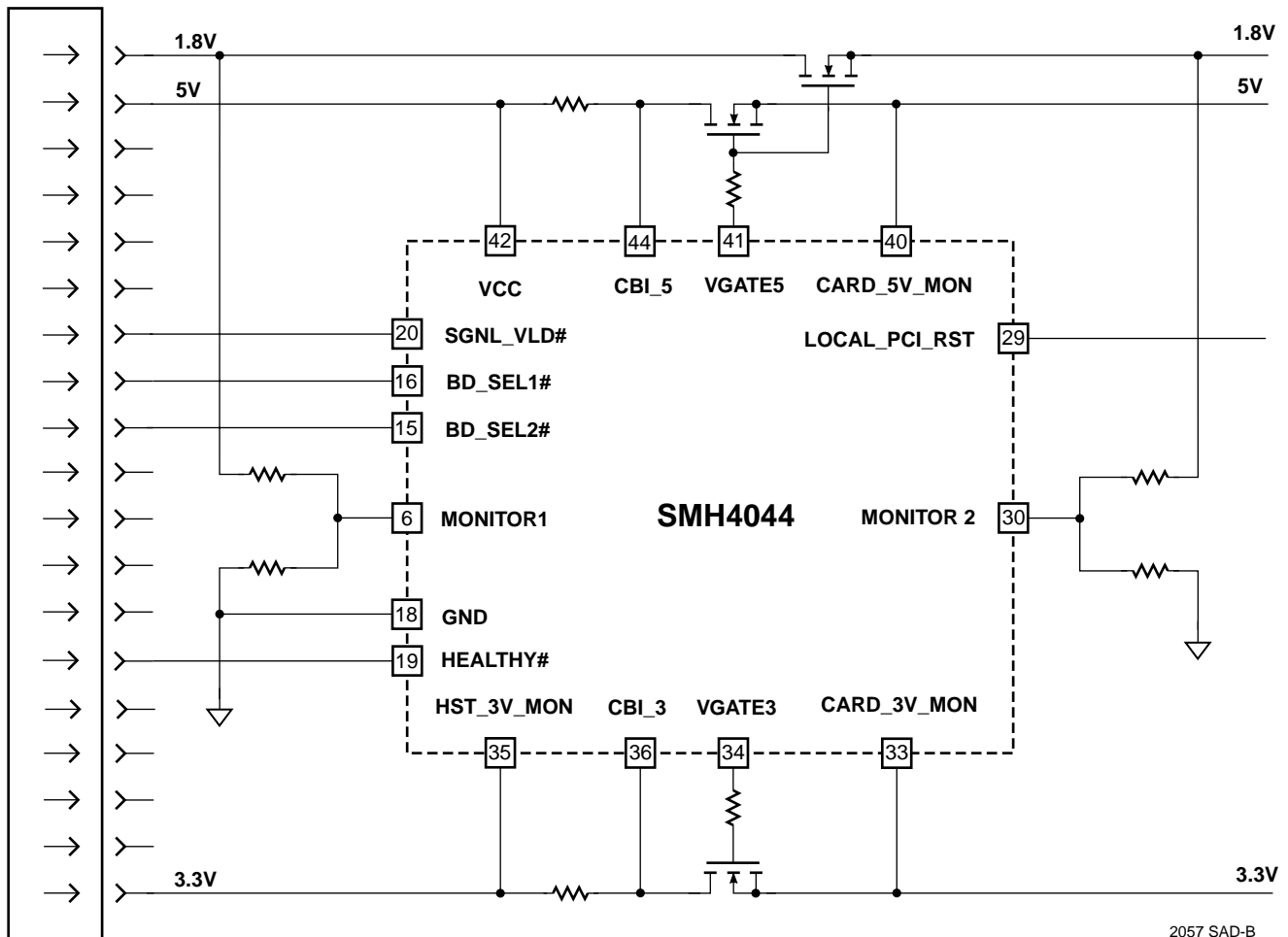
The SMH4044 is a fully integrated hot swap controller that provides complete power control for add-in cards ranging in use for basic hot swap systems to high availability systems. It detects proper insertion of the card and senses valid supply voltage levels at the backplane. Utilizing external low on-resistance N-channel MOSFETs, card power is ramped by two high-side driver outputs that are slew-rate limited at 250V/s.

The SMH4044 continuously monitors the host supplies, the add-in card supplies and the add-in card currents. If the SMH4044 detects the current is higher than the programmed value it will shut down the MOSFETs and issue a fault status to the host.

The internal 256×8 E²PROM can be used as configuration memory for the individual card or as general purpose memory.

Programming of configuration, control and calibration values by the user can be simplified with the interface adapter and Windows GUI software obtainable from Summit Microelectronics.

CompactPCI
Backplane

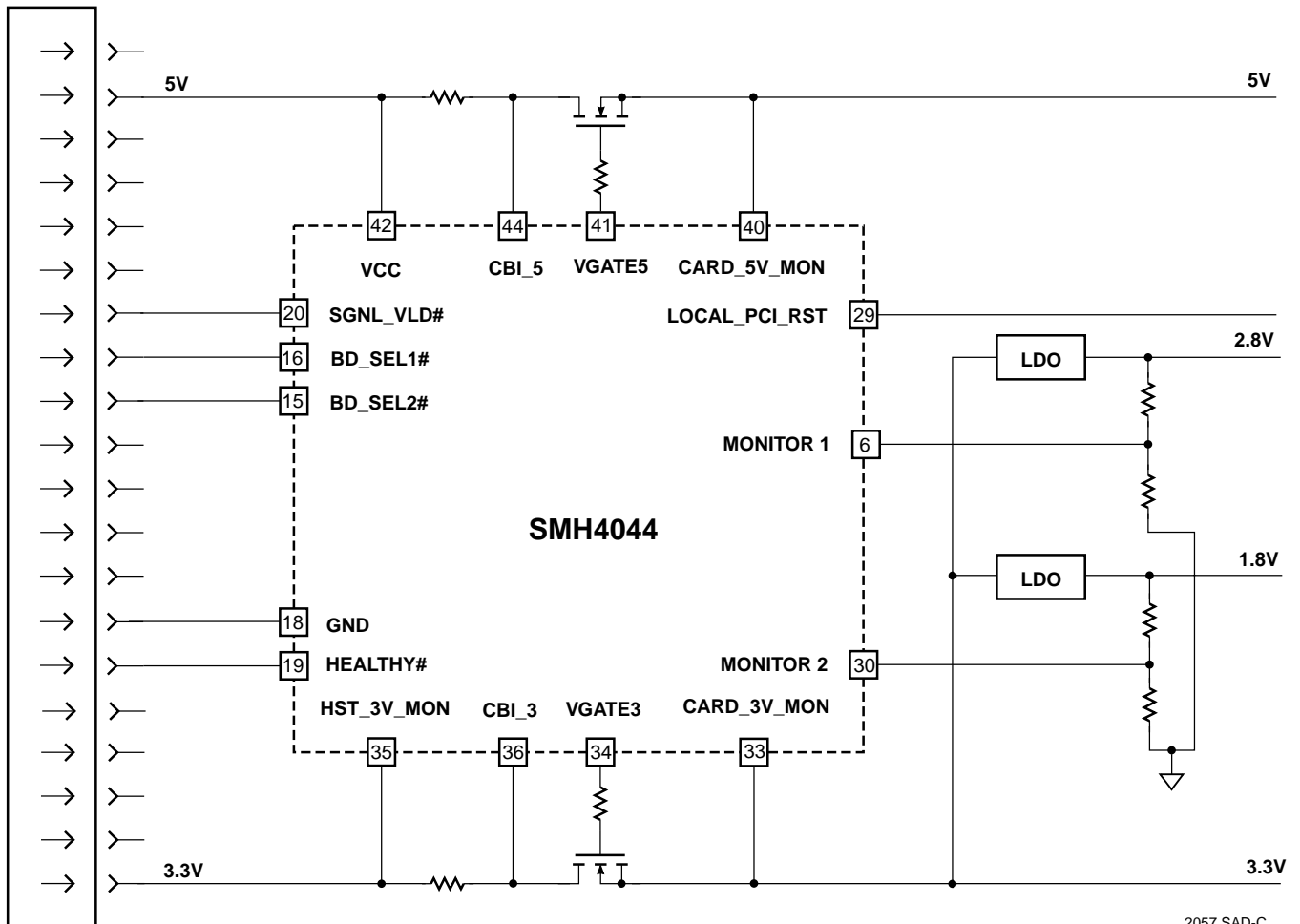


2057 SAD-B

Simplified Application Drawing — Triple Voltage Hot Swap (5V, 3.3V, 1.8V)



CompactPCI
Backplane

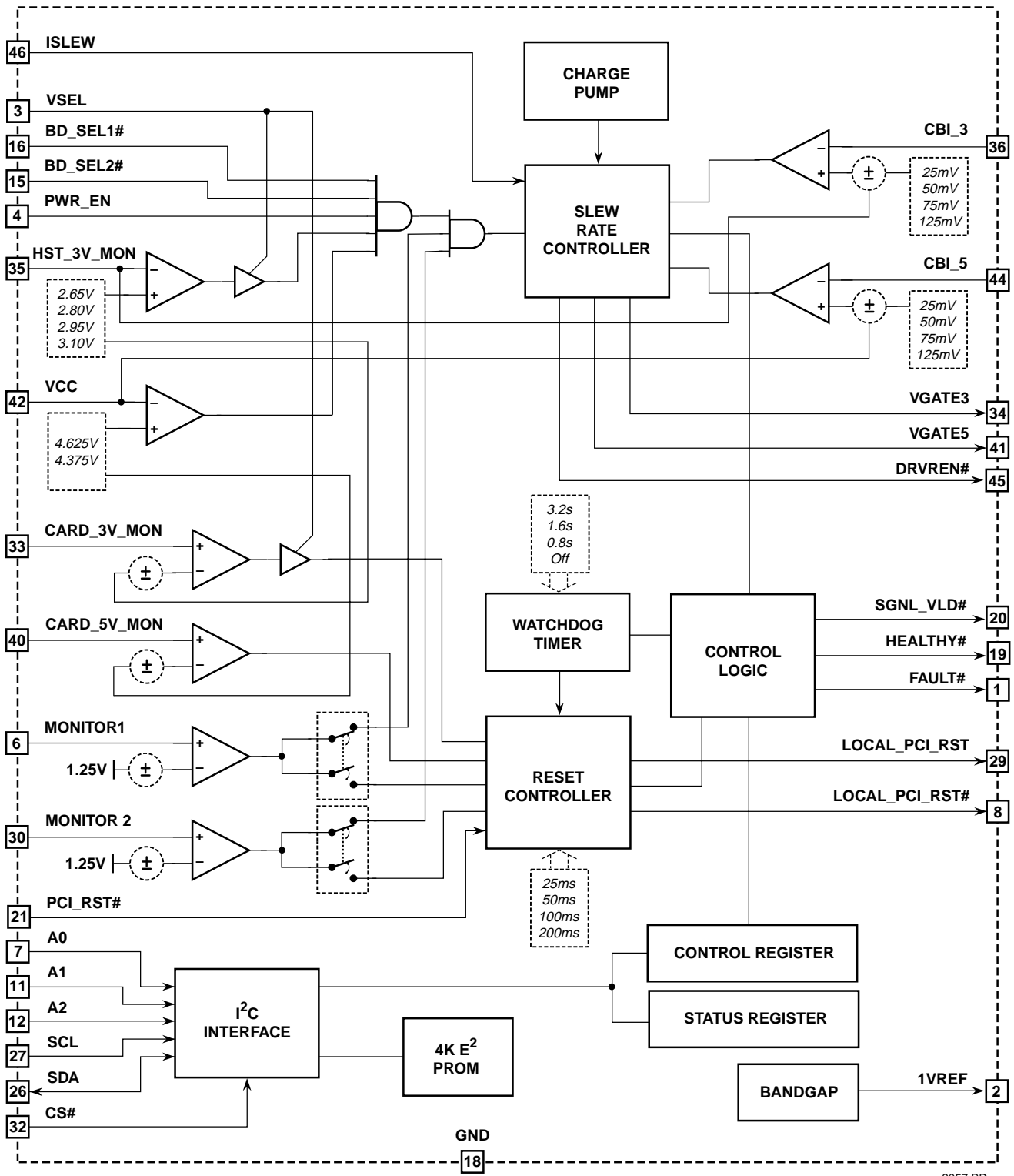


2057 SAD-C

Simplified Application Drawing — Hot Swap with PUP LDO Sensing



FUNCTIONAL BLOCK DIAGRAM

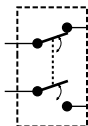


2057 BD

Programmable Functions

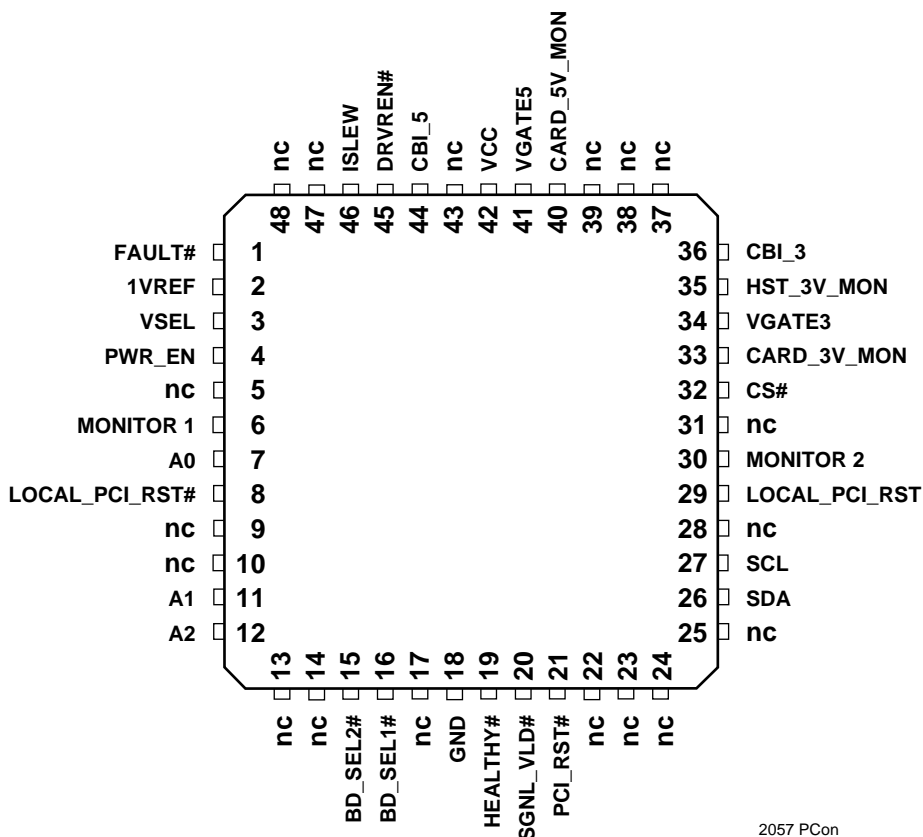


25ms
50ms
100ms
200ms





PIN CONFIGURATION



PIN DESCRIPTIONS

A0, A1, A2 (7, 11, 12)

Address inputs 0, 1 and 2 are used to set the three-bit device address of the memory array. The state of these inputs will determine the device address for the memory if it is on a two-wire bus with multiple memories with the same device type identifier.

SCL (27)

The SCL input is used to clock data into and out of the memory array. In the write mode, data must remain stable while SCL is HIGH. In the read mode, data is clocked out on the falling edge of SCL.

SDA (26)

The SDA pin is a bidirectional pin used to transfer data into and out of the SMH4044. Data changing from one state to the other may occur only when SCL is LOW, except when generating START or STOP conditions. SDA is an open-drain output and may be wire-ORed with any number of open-drain outputs.

CARD_3V_MON (33)

This input monitors the card-side 3.3V supply. If the input falls below V_{TRIP} then the HEALTHY# and SGNL_VLD# outputs are de-asserted and the reset outputs are driven active.

CARD_5V_MON (40)

This input monitors the card-side 5V supply. If the input falls below V_{TRIP} then the HEALTHY# and SGNL_VLD# outputs are de-asserted and the reset outputs are driven active.

CBI_3 (36)

CBI_3 is the circuit breaker input for the low supply. With a series resistor placed in the supply path between HST_3V_MON and CBI_3, the circuit breaker will trip whenever the voltage across the resistor exceeds 50mV.



CBI_5 (44)

CBI_5 is the circuit breaker input for the supply voltage. With a series resistor placed in the supply path between the 5V early power and CBI_5, the circuit breaker will trip whenever the voltage across the resistor exceeds 50mV.

HST_3V_MON (35)

This input monitors the host 3.3V supply and it is used as a reference for the circuit breaker comparator. If VCC3 falls below V_{TRIP} then SGNL_VLD# is de-asserted, the high side drivers are disabled, and LOCAL_PCI_RST# is asserted.

ISLEW (46)

A Diode-connected NFET input. It may be used to adjust the 250V/s default slew rate of the high-side driver outputs.

PCI_RST# (21)

A TTL level reset input signal from the host interface. A high to low transition (held low longer than 40ns) will initiate a reset sequence. The LOCAL_PCI_RST# and LOCAL_PCI_RST outputs will be driven active for a minimum period of t_{PURST} . If the PCI_RST# input is still held low after t_{PURST} times out the reset outputs will continue to be driven until PCI_RST# is released.

PWR_EN (4)

A TTL level input that allows the host to enable or disable the power to the individual card. During initial power up this signal would start in a low state, and then be driven high during software initialization. If this signal is driven low then the power supply control outputs will be driven into the inactive state and the reset signals asserted. In a non-High Availability system this input can be tied high. The PWR_EN input is also used to reset the SMH4044 circuit breakers. After an over-current condition is detected the VGATE outputs can be turned back on by first taking PWR_EN low then returning it high.

VSEL (3)

A TTL level input used to determine which of the host power supply inputs will be monitored for valid voltage and reset generation. This is a static input and the pin should be tied to VCC or ground through a resistor. VSEL is high for 3.3V power, and low for 5V or mixed mode power.

Vcc (42)

The power supply input. It is monitored for power integrity. If it falls below the 5V sense threshold (V_{TRIP}) and the VSEL input is low then the SGNL_VLD# and HEALTHY# signals are de-asserted, the high side drivers disabled, and reset outputs asserted. On a *CompactPCI* board this must be connected to early power.

GND (18)

Power supply return line. Ground should be applied at the same time as early power.

BD_SEL1#, BD_SEL2# (16, 15)

These are active low TTL level inputs with internal pull-ups to VCC. When pulled low they indicate full board insertion. On the host side the signals should be directly tied to ground. In a High Availability application these inputs can be the last pins to mate with the backplane. Alternatively, they can be actively driven by the host, or be connected to switches interfaced to the board ejectors, or any combination. Both inputs must be low before the SMH4044 will begin to turn on the card side voltage.

DRVREN# (45)

An open-drain, active-low output that indicates the status of the 3V and 5V high side driver outputs (VGATE5 and VGATE3). This signal may also be used as a switching signal for the 12V supply.

FAULT# (1)

An open-drain, active-low output. It will be driven low whenever an over-current condition is detected. It will be reset when the PWR_EN signal is brought low.

HEALTHY# (19)

An open-drain, active-low output indicating card side power inputs are above their reset trip levels.

LOCAL_PCI_RST# (8)

An open-drain active-low output. It is used to reset the card side circuitry on the add-in card. It is active whenever the card-side monitor inputs are below their respective V_{TRIP} levels. It may also be driven low by a low input on the PCI_RST# pin.



LOCAL_PCI_RST (29)

An open-drain (PFET) active-high output. It operates together with LOCAL_PCI_RST#, providing an active high reset signal which is required by many 8051 style MCUs. It is active whenever the card-side monitor inputs are below their respective V_{TRIP} levels. It may also be driven active by a low input on the PCI_RST# pin.

SGNL_VLD# (20)

An open-drain, active-low output that indicates card side power is valid and the internal card side PCI_RST# timer has timed out.

VGATE3 (34)

A slew rate limited high side driver output for the 3.3V external power FET gate. The output-voltage is generated by an on-board charge pump.

VGATE5 (41)

A slew rate limited high side driver output for the 5V external power FET gate. The output voltage is generated by an on-board charge pump.

1V_{REF} (2)

This output provides a 1V reference for pre-charging the bus signal pins. Implementing a simple unity gain amplifier circuit will allow pre-charging a large number of pins.

MONITOR1, MONITOR2 (6, 30)

Voltage sensor inputs which will detect voltages and compare them to the internal 1.25V reference. The sensors can be independently configured to sense over voltage or under voltage and can be used as either Host side voltage sensors or Card side voltage sensors.

CS# (32)

An active low Chip Select input. This signal must be asserted during I²C communications. The CS# signal allows external decoding to be used to extend the number of SMH4044 devices on the same serial bus from 8 — using the Address inputs — to an unlimited number. Bus Capacitive and Resistance loading must be considered when using multiple I²C devices on the same bus. Please refer to generic I²C documentation ("Bus Interface") in this Data Sheet for further information.

ABSOLUTE MAXIMUM RATINGS*

Temperature Under Bias	-55°C to 125°C
Storage Temperature	-65°C to 150°C
Lead Solder Temperature (10 secs)	300 °C
Terminal Voltage with Respect to GND:	
V ₀ , V ₁ , V ₂ , and V ₃	-0.3V to 6.0V
All Others	-0.3V to 6.0V

*COMMENT

Stresses listed under Absolute Maximum Ratings may cause permanent damage to the device. These are stress ratings only, and functional operation of the device at these or any other conditions outside those listed in the operational sections of this specification is not implied. Exposure to any absolute maximum rating for extended periods may affect device performance and reliability.

RECOMMENDED OPERATING CONDITIONS	
Temperature	-40°C to 85°C.
Voltage	2.7V to 5.5V



DC OPERATING CHARACTERISTICS

(Over Recommended Operating Conditions; Voltages are relative to GND)

Symbol	Parameter	Conditions	Min.	Typ.	Max.	Units
V_{CC}	Operating voltage	For valid reset only	1			V
I_{CC1}	Supply current (operating)				1	mA
I_{CC2}	Supply current (writing)				3	mA
V_{TRIP}	V_{TRIP} threshold levels (V_{CC5})	4.625V configuration	4.50	4.625	4.75	V
		4.375V configuration	4.25	4.375	4.50	V
	V_{TRIP} threshold levels (V_{CC3})	3.10V configuration	3.02	3.10	3.17	V
		2.95V configuration	2.87	2.95	3.02	V
		2.80V configuration	2.72	2.80	2.87	V
		2.65V configuration	2.57	2.65	2.72	V
	CARD_5V_MON	50mV configuration			V_{CC5} trip + 50mV	V
		-50mV configuration			V_{CC5} trip - 50mV	V
	CARD_3V_MON	50mV configuration			V_{CC3} trip + 50mV	V
		-50mV configuration			V_{CC3} trip - 50mV	V
	MONITOR1, MONITOR2		1.2	1.25	1.3	V
V_{TRHST}	Trip point hysteresis			20		mV
I_{LI}	Input leakage current				2	μ A
I_{LO}	Output leakage current				1	μ A
V_{IL}	Input low voltage		-0.1		0.8	V
V_{IH}	Input high voltage		2		$V_{CC} + 1V$	V
V_{OL}	Output low voltage	$V_{CC} = 5V, I_{OL} = 2.1mA$			0.4	V
V_{OH}	Output high voltage	$V_{CC} = 5V, I_{OH} = -400\mu A$	2.4			V
V_{OLRS}	LOCAL_PCI_RESET# output low voltage	$I_{OL} = 3.2mA$			0.4	V
V_{OHRS}	RESET output high voltage	$I_{OH} = 800\mu A$	$V_{CC5} - 0.75V$			V
V_{OHRS}	VGATE3, VGATE5 output voltage	$I_{OH} = 20\mu A$	12	14	15	V
1VREF	Reference output voltage	No load	0.95	1.00	1.05	V
V_{CB}	Circuit breaker trip voltage ($V_{CC} - CBI_5$) or (HST_3v_MON - CBI_5)	125mV configuration	100	125	150	mV
		75mV configuration	60	75	90	mV
		50mV configuration	40	50	60	mV
		25mV configuration	20	25	30	mV

2057 Elect Table



DEVICE OPERATION

POWER UP SEQUENCE

The SMH4044 is an integrated power controller for any hot swappable add-in card. It provides all the signals and control functions to be compatible with *CompactPCI* Hot Swap requirements for basic hot swap systems, full hot swap boards, and high availability systems.

Insertion Process

As the add-in board is inserted into the backplane, physical connections are made with the chassis in order to properly discharge any voltage potentials to ground. The board will first contact the long pins on the backplane that provide early power (5V, 3.3V and ground). Depending upon the board configuration, early power and ground should be routed to the SMH4044. As soon as power is applied the SMH4044 will assert the reset outputs to the card side circuits, turn off the VGATE3 and VGATE5 outputs (disabling the external power FETs) and assert 1VREF. This signal can be used to pre-charge the I/O pins before they begin to mate with the bus signals. The open collector HEALTHY# output will be de-asserted. It should be actively pulled high by an external pull-up resistor (minimum 10kΩ).

The next pins to mate are the I/Os, and the balance of the power pins if they are not already mated. The I/Os will have been pre-charged by the 1VREF output.

The BD_SEL# pins are the last inputs to be driven to their true state. In most systems these will most likely be driven to ground when the short pins are mated. This would indicate the card is fully inserted and the power-up sequence can begin. If, however, the design is based on high availability requirements, the two pins can be actively driven by the host or combined with a switch input indicating the ejector handles are fully engaged.

Sequencing

Once the proper card insertion has been assured the SMH4044 will check the status of the Power Enable signal from the host. This input can be used to power down individual cards on the bus via software control. It must be held high in order for the SMH4044 to enable power sequencing to the card.

When these conditions have been met, the SMH4044 will drive the VGATE3 and VGATE5 outputs to turn on the external 3 volt and 5 volt power FETs. The slew rate of these outputs is controlled to 250V/s. Different slew rates can be accommodated by either adding an additional capacitor between the MOSFET gate and ground or by

injecting current into the ISLEW input. All circuitry on the card is held in a reset condition until the 5V (or 3.3V) supply is stable and the reset interval timer has timed out. At this point, the reset signals are de-asserted, and proper operation of the card commences. See Figure 1, Table 1, and Flow Chart 1.

The SMH4044 will monitor the card's backend voltages. Once they are at or above the card V_{TRIP} levels the SMH4044 will drive the HEALTHY# output low.

Card Removal Process

The card removal process operates in the opposite sequence. For non-high-availability cards the action of card removal disconnects the BD_SEL# (short pins) from ground and the SMH4044 will instantly shutdown the VGATE outputs, change the HEALTHY# status, and assert the LOCAL_PCI_RST and LOCAL_PCI_RST# outputs.

Because connectors to the host backplane employ staggered pins, power will still be applied to the SMH4044 and the I/O interface circuits. The LOCAL_PCI_RST and LOCAL_PCI_RST# signals will place the interface circuits into a high impedance condition. The pre-charge voltage will be applied to the I/Os enabling a graceful disengagement from the active bus. Once the I/O pins are free of the backplane, power can be removed from the SMH4044 and other early power devices by releasing the long pins.

The removal process is slightly different for a high-availability system. As the ejector handle is rotated the ejector switch will open, causing a change of state that will activate the ENUM# signal to the host. In response to this notification the host will de-assert a hardware controlled BD_SEL# signal. This action will turn on an indicator LED on the card, notifying the operator it is now safe to proceed with the removal of the card. The sequence will then follow that outlined for the non-high-availability removal process.

Power Configurations

The SMH4044 can be used in 5V only, 3.3V-only and mixed voltage systems. For systems with a single power supply, connect V_{CC} and HST_3V_MON together to the bus power line. Also connect CARD_3V_MON and CARD_5V_MON together to the card side power. Now the state of VSEL determines the reset level that will be used to signal valid power. For 3.3V systems tie VSEL to V_{CC}, for 5V systems tie VSEL to ground.

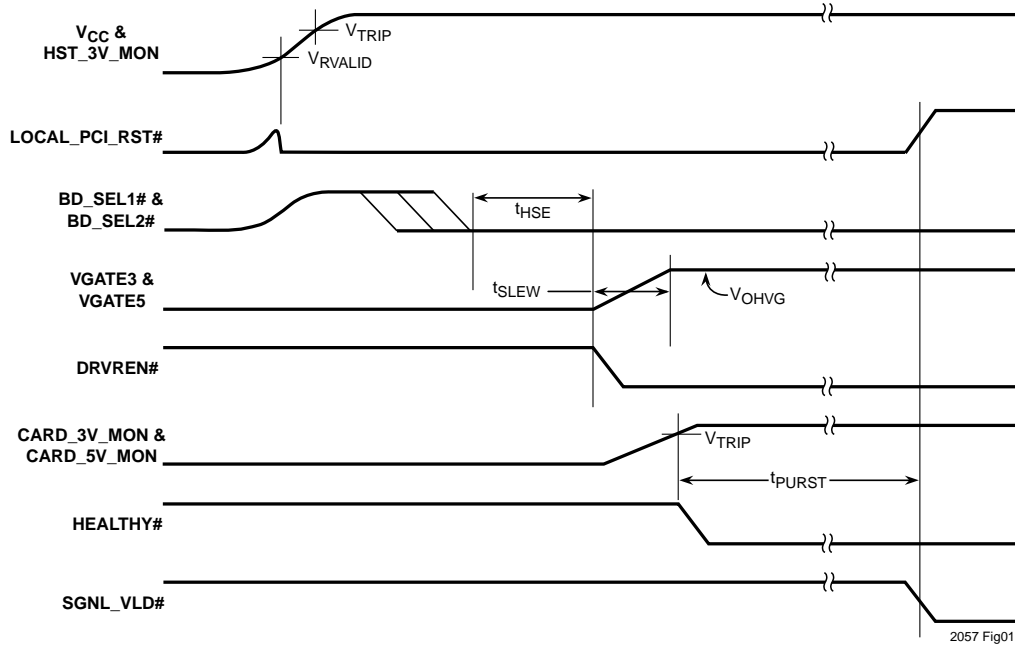


Figure 1. Card Insertion Timing Diagram

Symbol	Parameter	Conditions	Min.	Typ.	Max.	Units
t_{VTPD}	V_{TRIP} to power down delay			1	5	μ s
t_{VTR}	V_{TRIP} to reset output delay			1	5	μ s
t_{PRLPR}	PCI_RST# to LOCAL_PCI_RST#			0.1	1	μ s
t_{SLEW}	Slew rate				250	V/s
t_{HSE}	BD_SEL# to power on delay	25ms configuration	20	25	30	ms
		50ms configuration	40	50	60	ms
		100ms configuration	80	100	120	ms
		200ms configuration	160	200	240	ms
t_{PURST}	RESET pulse width	25ms configuration	20	25	30	ms
		50ms configuration	40	50	60	ms
		100ms configuration	80	100	120	ms
		200ms configuration	160	200	240	ms
t_{WD}	Watchdog timer duration	0.8s configuration	0.64	0.8	0.96	s
		1.6s configuration	1.28	1.6	1.92	s
		3.2s configuration	2.56	3.2	3.84	s
t_{GLITCH}	Glitch rejection pulse width			40	ns	
t_{OCF}	Overcurrent to FAULT# output			1	μ s	
t_{OCVG}	Overcurrent to gate off			1	μ s	
t_{CBTC}	Circuit breaker time constant	Operating		16	μ s	

2057 Table01

Table 1. Card Insertion Timing

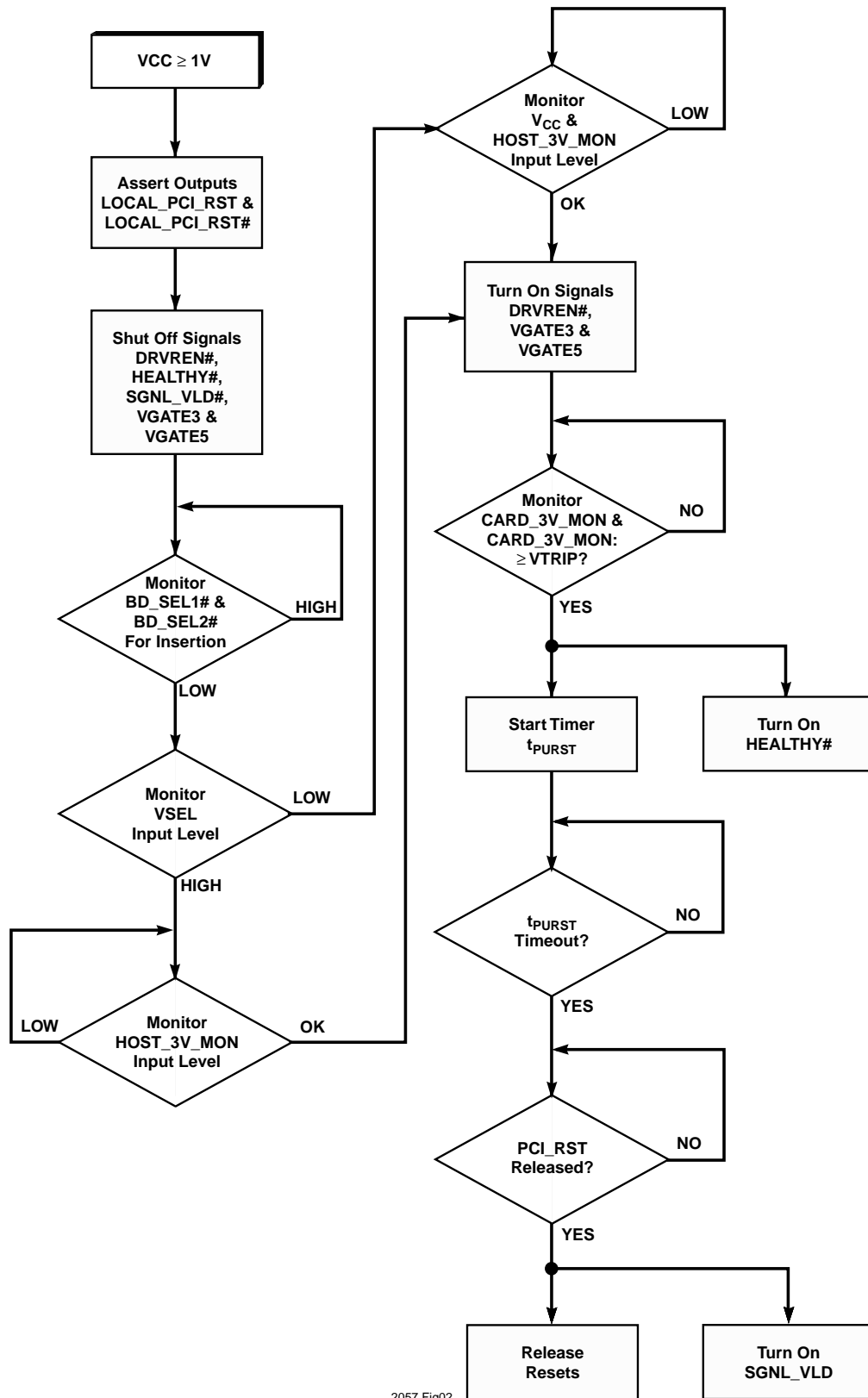


Figure 2. Sequence Diagram Flow Chart



MONITORING THE POWER SUPPLY HEALTH

MONITOR INPUTS

The SMH4044 has a total of 8 comparators that are used to monitor the health of the Host platform supplies and the Card-side (backend) voltages. In hot swap applications each supply going to the backend logic needs to be monitored at three points.

The first point is at the source on the Host connector, V_{CC} and HST_3V_MON. If this voltage is not within specification the down stream sequencing of powering-on the backend logic will not proceed.

The next stage (the CBI inputs) is one step closer to the backend logic to monitor the current flowing into the backend logic. This cannot exceed the specification; however, if it does, then the SMH4044 must turn off the source to the backend logic.

The CARD_5V_MON and CARD_3V_MON inputs are used to sense the actual voltage level in the backend logic. If either comparator detects a low voltage condition the backend logic will be placed in a reset condition (LOCAL_PCI_RST and LOCAL_PCI_RST# asserted), but the VGATE outputs will remain active so long as the Host voltage and current sense are valid.

Two other monitor inputs, MONITOR1 and MONITOR2, can be used as additional voltage sensors on either the Host side or the Card side. When either or both of these monitor inputs are used on the Host side, their status will be logically ANDed with the V_{CC} and HST_3V_MON logic. When either or both are configured to be used as Card side monitors, their status will be logically ANDed with the CARD_5V_MON and CARD_3V_MON logic.

This allows the device to be configured in a variety of ways such as:

- A. 4 Host Side, 2 Card Side Monitors
- B. 1 Host Side, 3 Card Side Monitors
- C. 1 Host Side, 4 Card Side Monitors

The Programmable Monitor Inputs are compared to the internal 1.25V reference, simplifying the monitoring of voltages higher than V_{CC} or lower than ground.

In most cases, these monitor inputs will be set to monitor an under-voltage condition, as are the other voltage monitors on the chip. Both MONITOR1 and MONITOR2 can be configured to detect over-voltage conditions as well.

WATCHDOG TIMER

The SMH4044 has an internal Watchdog Timer with a programmable watchdog interval of 0.8, 1.6 or 3.2 seconds. The watchdog is reset each time a valid I²C address command is received by the SMH4044. Each time the SMH4044 generates an acknowledge on the I²C bus, it will reset the Watchdog Timer. The Watchdog Timer will also be reset on any CS# edge.

V_{CC} vs. HST_3V_MON

The V_{CC} input is the supply input and in a **CompactPCI** application this pin must connect to an early power pin on the Host connector. The HST_3V_MON input is strictly a voltage monitoring input, not a supply input. The operating supply voltage range on the V_{CC} pin is 2.7V to 5.5V, but it will only monitor a 5V supply. This is not an issue with a dual supply application, but in a single supply application these two pins must be shorted and VSEL properly set.

Programmable V_{TRIP} Thresholds

The Host voltage monitors and the backend voltage monitors are programmable (by the factory) and provide a number of options to the end user. The V_{CC} monitor V_{TRIP} level can be selected for either a 5% or 10% supply with default values of 4.375V or 4.625V. The HST_3V_MON V_{TRIP} level can be programmed to 2.65V, 2.8V, 2.95V or 3.1V.

The CARD_5V_MON and CARD_3V_MON thresholds are set in relation to their corresponding Host voltage monitor thresholds. Their offset can be either 50mV or –50mV. This allows the designer to select 50mV if they want a collapse in the backend voltage to trigger a local reset condition prior to the Host supply collapsing and powering down the board without warning. Alternatively they can choose –50mV to trigger a board shutdown based on the Host power supply falling out of spec.

Also see Figure 3

Over-current Circuit Breaker

The SMH4044 provides a circuit breaker function to protect against short circuit conditions or exceeding the supply limits. By placing a series resistor between the Host supply and the CBI pins, the breakers will trip whenever the voltage drop across the series resistor is greater than the programmed value (25, 50, 75 or 125mV) for more than 16 μ s.

Also see Figure 4.

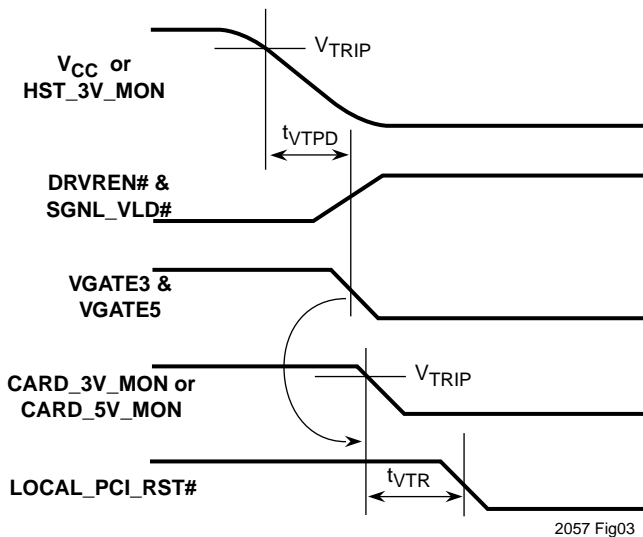


Figure 3. Loss-of-Voltage Timing Sequence

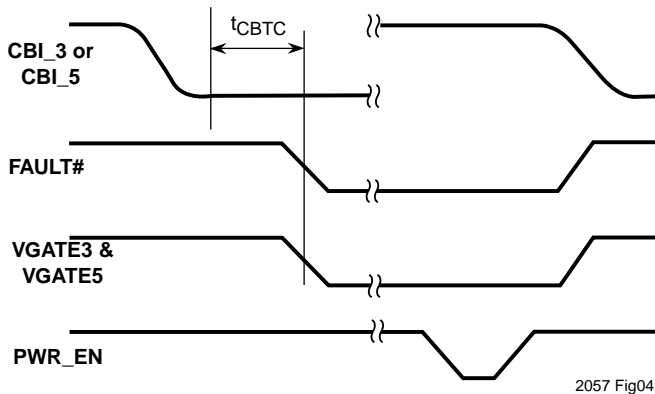


Figure 4. Circuit Breaker Timing Sequence

Reset Control

While in the power sequencing mode, the reset outputs are the last to be released. When they are released all conditions of a successful power-up sequence must have been met:

- 1) VCC and HST_3V_MON are at or above their respective VTRIP levels (MONITOR1 and/or MONITOR2 are above 1.25 V if configured as Host Side monitors);
- 2) BD_SEL# inputs are low;

3) CARD_3V_MON and CARD_5V_MON are at or above their respective trip levels (MONITOR1 and/or MONITOR2 are above 1.25 V if configured as CARD Side monitors);

4) PWR_EN is high; and

5) PCI_RST# is high.

The PCI-RST# input must be high for the reset outputs to be released. Assuming all of the conditions listed above have been met and tPURST has expired, a low input of greater than 40ns duration on the PCI_RST# input will initiate a reset cycle. The duration of the reset cycle will be determined by the PCI_RST# input. If PCI_RST# low is shorter than tPURST, the reset outputs will be driven active for tPURST. If PCI_RST# is longer than tPURST the reset outputs will remain active until PCI_RST# is released.

Also see Figure 5.

SOFTWARE CONTROL AND STATUS REPORTING

The SMH4044 features advanced software control and status reporting over the serial interface. This is accomplished through writes and reads to a status register located at word address 02_{HEX}, device address 1001_{BIN}.

The status register can be read any time the SMH4044 is not in a nonvolatile write cycle. All of the bits in the register are read-only except for bit 5. When read this bit indicates the state of the VGATE5 and VGATE3 outputs. It can also be written to a "1" to turn on the VGATE5 and VGATE3 outputs if the PWR_EN pin is low. A write to the other bits in the status register is ignored.

The status register bit assignments are as follows:

Bit 7: Indicates the state of the HEALTHY# output. If HEALTHY# is low then this bit will be low. This bit is read-only.

Bit 6: Indicates the state of the SGNL_VLD# output. If SGNL_VLD# is low then this bit will be low. This bit is read-only.

Bit 5: Indicates whether VGATE5 and VGATE3 are on. If they are high then this bit will read high. If they are low and the PWR_EN pin is low then this bit can be written high to turn them on. The bit can also be written low to turn them off but only if the PWR_EN pin is low.

Bit 4: Indicates whether the SMH4044 is in reset. If the part is in reset then the bit will read high. This bit is read-only.

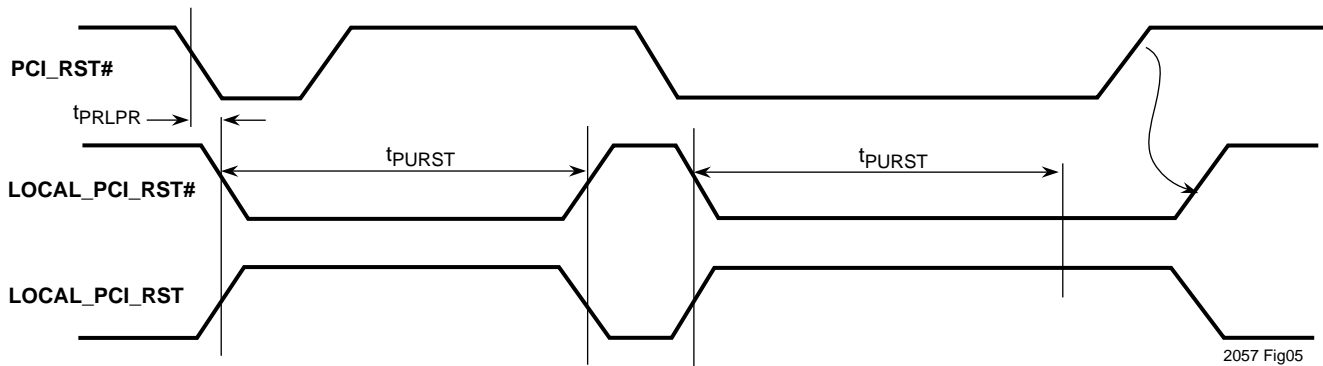


Bit 3: Indicates the state of MONITOR2. If it is out of range then the bit will read high. This bit is read-only.

Bit 2: Indicates the state of MONITOR1. If it is out of range then the bit will read high. This bit is read-only.

Bit 1: Indicates the state of CARD_5V_MON. If it is below the trip point then the bit will read low. This bit is read-only.

Bit 0: Indicates the state of CARD_3V_MON. If it is below the trip point then the bit will read low. This bit is read-only.



2057 Fig05

Figure 5. Host-initiated Reset Timing



BUS INTERFACE

GENERAL DESCRIPTION

The I²C bus is a two-way, two-line serial communication between different integrated circuits. The two lines are: a serial Data line (SDA) and a serial Clock line (SCL). All Summit Microelectronics parts support a 100kHz clock rate, and some support the alternative 400kHz clock. Check Table 2 for the value of f_{SCL}. The SDA line must

be connected to a positive supply by a pull-up resistor located on the bus. Summit parts have Schmitt Trigger inputs on both lines. See Figure 6 and Table 2 for waveforms and timing on the bus. One bit of Data is transferred during each Clock pulse. The Data must remain stable when the Clock is high.

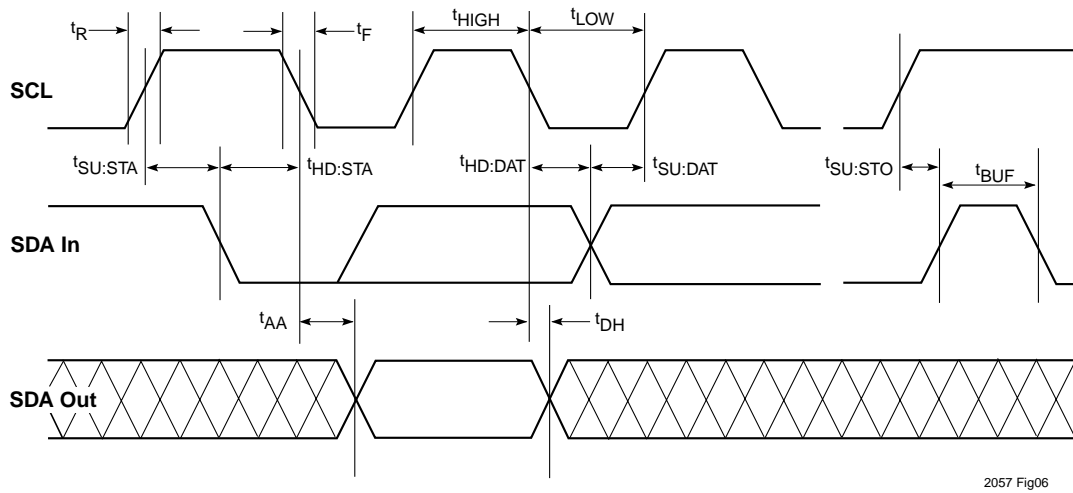


Figure 6. Memory Timing

Symbol	Parameter	Conditions	Min.	Max.	Units
f _{SCL}	SCL clock frequency		0	100	kHz
t _{LOW}	Clock low period		4.7		µs
t _{HIGH}	Clock high period		4.0		µs
t _{BUF}	Bus free time (1)	Before new transmission	4.7		µs
t _{SU:STA}	Start condition setup time		4.7		µs
t _{HD:STA}	Start condition hold time		4.0		µs
t _{SU:STO}	Stop condition setup time		4.7		µs
t _{AA}	Clock edge to valid output	SCL low to valid SDA (cycle n)	0.3	3.5	µs
t _{DH}	Data Out hold time (1)	SCL low (cycle n+1) to SDA change	0.3		µs
t _R	SCL and SDA rise time (1)			1000	ns
t _F	SCL and SDA fall time (1)			300	ns
t _{SU:DAT}	Data In setup time (1)		250		ns
t _{HD:DAT}	Data In hold time (1)		0		ns
TI	Noise filter SCL and SDA (1)	Noise suppression		100	ns
t _{WR}	Write cycle time			5	ms

Note: (1) These values are guaranteed by design.

2057 Table02

Table 2. Memory Timing



Start and Stop Conditions

Both Data and Clock lines remain high when the bus is not busy. Data transfer between devices may be initiated with a Start condition only when SCL and SDA are high. A high-to-low transition of the Data line while the Clock line is high is defined as a Start condition. A low-to-high transition of the Data line while the Clock line is high is defined as a Stop condition. See Figure 7.

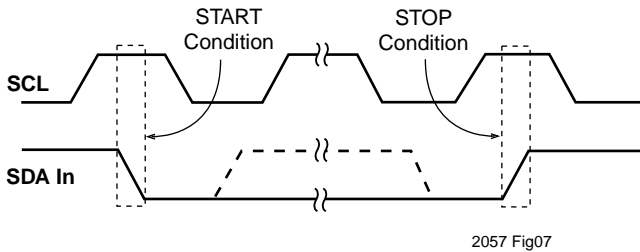


Figure 7. I²C Start and Stop Timing

Protocol

The protocol defines any device that sends data onto the bus as a Transmitter, and any device that receives data as a Receiver. The device controlling data transmission is called the Master, and the controlled device is called the Slave. In all cases the Summit Microelectronic devices are Slave devices, since they never initiate any data transfers.

Acknowledge

Data is always transferred in 8-Bit bytes. Acknowledge (ACK) is used to indicate a successful data transfer. The Transmitting device will release the bus after transmitting eight bits. During the ninth clock cycle the Receiver will pull the SDA line low to Acknowledge that it received the eight bits of data (See Figure 8). The termination of a Master Read sequence is indicated by a non-Acknowledge (NACK), where the Master will leave the Data line high.

In the case of a Read from a Summit part, when the last byte has been transferred to the Master, the Master will

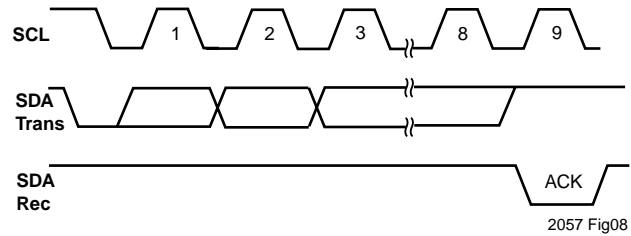


Figure 8. Acknowledge Timing

leave the Data line high for a NACK. This will cause the Summit part to stop sending data, and the Master will issue a Stop on the clock pulse following the NACK.

In the case of a Write to a Summit part the Master will send a Stop on the clock pulse after the last Acknowledge. This will indicate to the Summit part that it should begin its internal nonvolatile write cycle.

Basic Read and Write

The first byte from a Master is always made up of a seven bit Slave address and the Read/Write bit. The R/W bit tells the Slave whether the Master is reading data from the bus or writing data to the bus (1 = Read, 0 = Write). The first four of the seven address bits are called the Device Type Identifier (DTI). The DTI for the SMH4044 is 1010_{BIN}. The next two bits are used to select one-of-four possible devices on the bus. The next bit is the block select bit. The SMH4044 will issue an Acknowledge after recognizing a Start condition and its DTI.

In the Read mode the SMH4044 transmits eight bits of data, then releases the SDA line, and monitors the line for an Acknowledge signal. If an Acknowledge is detected, and no Stop condition is generated by the Master, the SMH4044 will continue to transmit data. If an Acknowledge is not detected (NACK), the SMH4044 will terminate further data transmission. See Figure 10.

In the Write mode the SMH4044 receives eight bits of data, then generates an Acknowledge signal. It will continue to generate ACKs until a Stop condition is generated by the Master. See Figure 11.

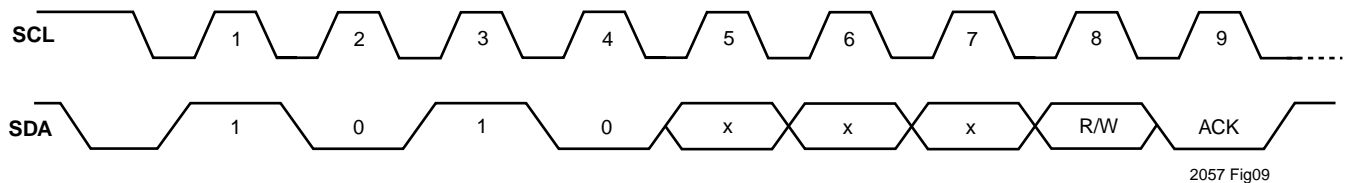


Figure 9. Typical Master Address Byte Transmission



Random Address Read

Random address Read operations allow the Master to access any memory location in a random fashion. This operation involves a two-step process. First, the Master issues a Write command which includes the Start condition and the Slave address field (with the R/W bit set to Write) followed by the address of the word it is to read. This procedure sets the internal address counter of the SMH4044 to the desired address. After the word address Acknowledge is received by the Master, it immediately reissues a Start condition followed by another Slave address field with the R/W bit set to Read. The SMH4044 will respond with an Acknowledge and then transmit the 8 data bits stored at the addressed location. At this point the Master sets SDA high (NACK) and generates a Stop condition. The SMH4044 discontinues data transmission and reverts to its standby power mode.

Sequential Read

Sequential Reads can be initiated as either a current address Read or a random access Read. The first word is transmitted as with the other byte Read modes (current address byte Read or random address byte Read). However, the Master now responds with an Acknowledge, indicating that it requires additional data from the SMH4044. The SMH4044 continues to output data for each Acknowledge received. The Master terminates the sequential Read operation with a NACK and issues a Stop condition.

During a sequential Read operation the internal address counter is automatically incremented with each Acknowledge signal. For Read operations all address bits are incremented, allowing the entire array to be read using a single Read command. After a count of the last memory address the address counter will rollover and the memory will continue to output data.

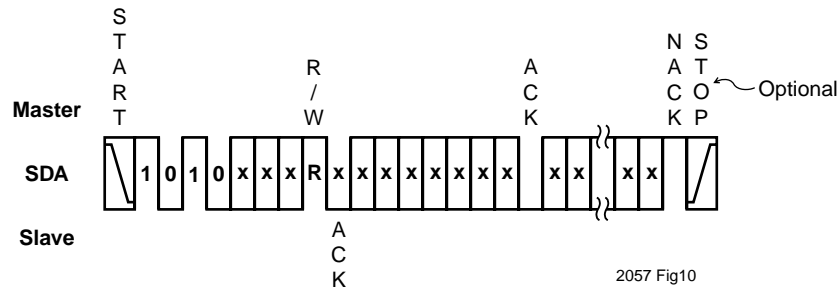


Figure 10. Basic Read

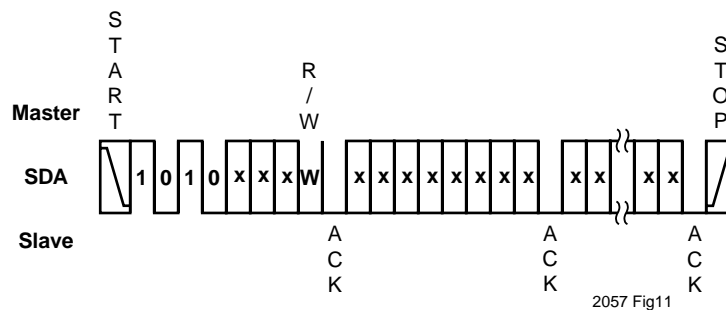


Figure 11. Basic Write



HARDWARE FOR PROGRAMMING

The end user can use the summit SMX3200 programming cable and software that have been developed to operate with a standard personal computer. The programming cable interfaces directly between a PC's parallel port and the target application. The application's values are entered via an intuitive graphical user interface employing drop-down menus.

After the desired settings for the application are determined the software will generate a hex file that can be transferred to the target device or downloaded to Summit. If it is downloaded to Summit a customer part number will be assigned and the file will be used to customize the devices during the final electrical test operations.

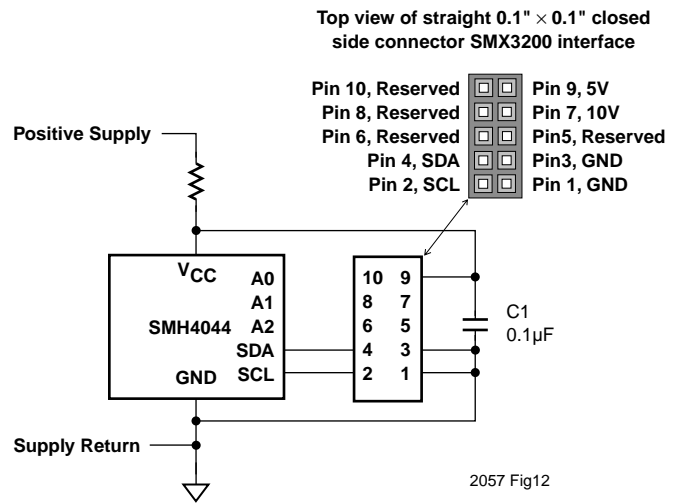
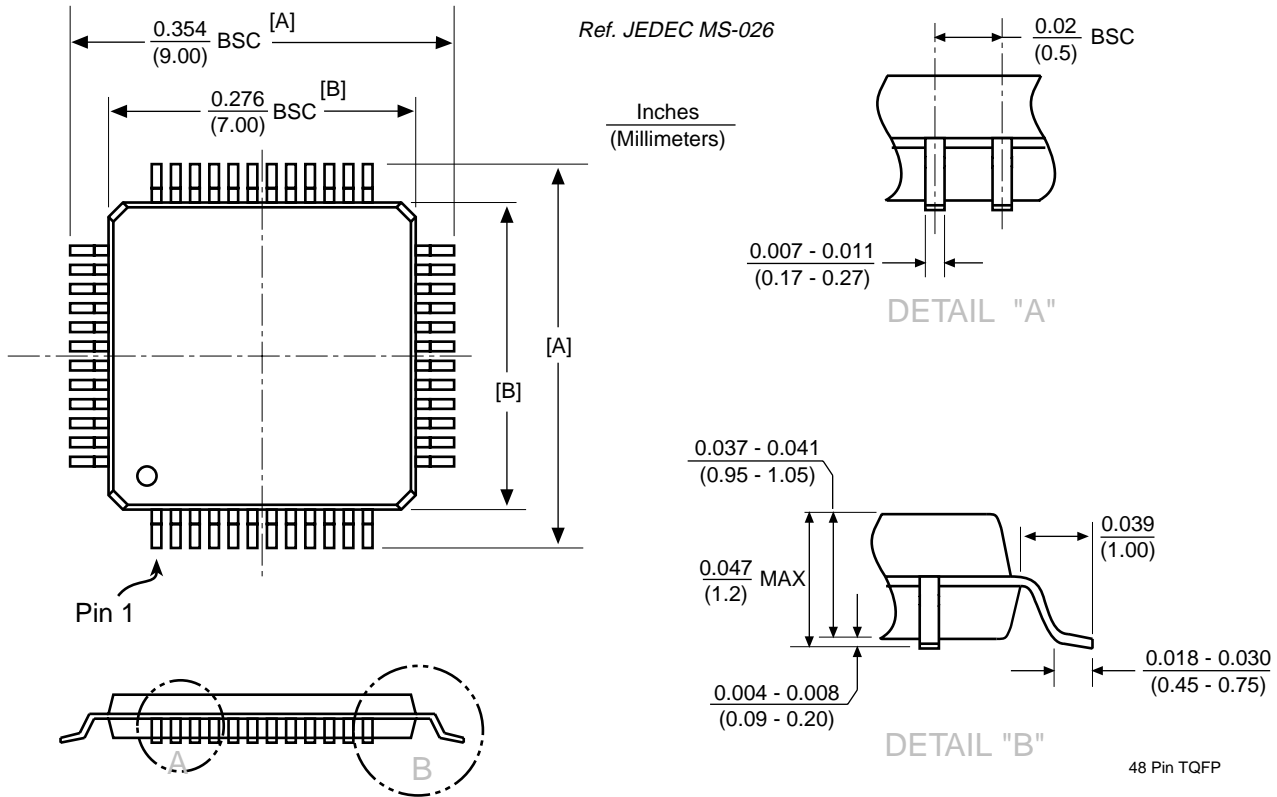


Figure 12. Programming Hookup

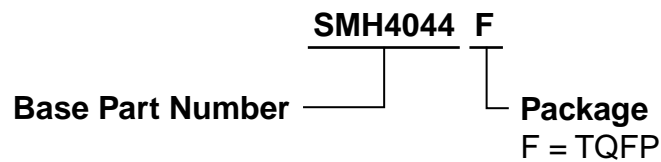


PACKAGE

48 PIN TQFP PACKAGE



ORDERING INFORMATION





NOTICE

SUMMIT Microelectronics, Inc. reserves the right to make changes to the products contained in this publication in order to improve design, performance or reliability. SUMMIT Microelectronics, Inc. assumes no responsibility for the use of any circuits described herein, conveys no license under any patent or other right, and makes no representation that the circuits are free of patent infringement. Charts and schedules contained herein reflect representative operating parameters, and may vary depending upon a user's specific application. While the information in this publication has been carefully checked, SUMMIT Microelectronics, Inc. shall not be liable for any damages arising as a result of any error or omission.

SUMMIT Microelectronics, Inc. does not recommend the use of any of its products in life support or aviation applications where the failure or malfunction of the product can reasonably be expected to cause any failure of either system or to significantly affect their safety or effectiveness. Products are not authorized for use in such applications unless SUMMIT Microelectronics, Inc. receives written assurances, to its satisfaction, that: (a) the risk of injury or damage has been minimized; (b) the user assumes all such risks; and (c) potential liability of SUMMIT Microelectronics, Inc. is adequately protected under the circumstances.

This document supersedes all previous versions.

© Copyright 2001 SUMMIT Microelectronics, Inc.

I²C is a trademark of Philips Corporation.