

## 2M-BIT [256K x 8/128K x 16] CMOS MASK ROM

### FEATURES

- Switchable organization
  - 256K x 8 (byte mode)
  - 128K x 16 (word mode)
- Single +5V power supply
- Fast access time:150/200ns
- Totally static operation

- Completely TTL compatible
- Operating current: 60mA
- Standby current: 100uA
- Package type:
  - 40 pin DIP (600 mil)

### GENERAL DESCRIPTION

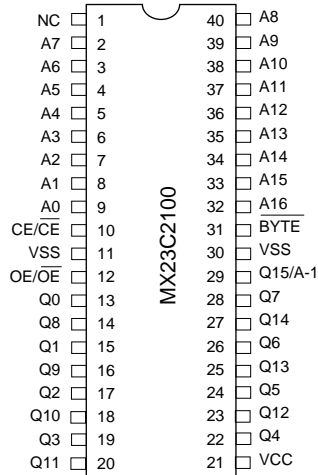
The MX23C2100 is a 5V only, 2M-bit, Read Only Memory. It is organized as 256K x 8 bits (byte mode) or as 128K x 16 bit (word mode) depending on  $\overline{\text{BYTE}}$  (pin 31) voltage level. MX23C2100 has a static standby mode, and has an access time of 150/200ns. It is designed to be compatible with all microprocessors and similar applications in which high performance, large bit storage and simple interfacing are important design considerations.

MX23C2100 offers automatic power-down, with power-down controlled by the chip enable ( $\overline{\text{CE}}/\overline{\text{CE}}$ ) input. When  $\overline{\text{CE}}/\overline{\text{CE}}$  is not selected, the device automatically powers down and remains in a low-power standby mode as long as  $\overline{\text{CE}}/\overline{\text{CE}}$  stays in the unselected mode.

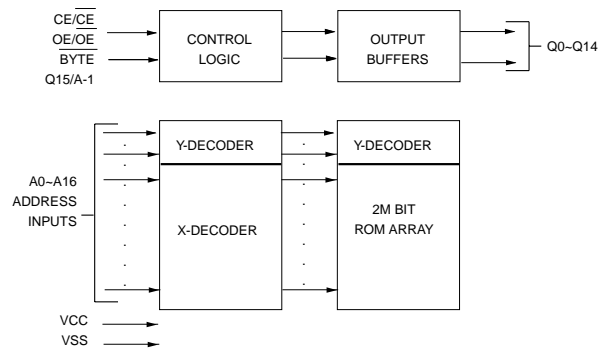
The  $\overline{\text{OE}}/\overline{\text{OE}}$  inputs as well as  $\overline{\text{CE}}/\overline{\text{CE}}$  input may be programmed either active High or Low.

### PIN CONFIGURATION

#### 40 PDIP



### BLOCK DIAGRAM



### PIN DESCRIPTION

Symbol	Pin Function
A0~A16	Address Input
Q0~Q14	Data Output
$\overline{\text{CE}}/\overline{\text{CE}}$	Chip Enable Input
$\overline{\text{OE}}/\overline{\text{OE}}$	Output Enable Input
$\overline{\text{BYTE}}$	Word/Byte Selection
Q15/A-1	Q15 (Word mode)/LSB addr. (Byte mode)
VCC	Power Supply Pin (+5V)
VSS	Ground Pin

**TRUTH TABLE OF  $\overline{\text{BYTE}}$  FUNCTION**
**BYTE MODE ( $\overline{\text{BYTE}}=\text{VSS}$ )**

$\overline{\text{CE}}$	OE/ $\overline{\text{OE}}$	D15/A-1	MODE	D0-D7	SUPPLY CURRENT	NOTE
H	X	X	Non selected	High Z	Standby (ICC2)	1
L	L/H	X	Non selected	High Z	Operating (ICC1)	1
L	H/L	A-1 input	Selected	DOUT	Operating (ICC1)	1

**WORD MODE ( $\overline{\text{BYTE}}=\text{VSS}$ )**

$\overline{\text{CE}}$	OE/ $\overline{\text{OE}}$	D15/A-1	MODE	D0-D14	SUPPLY CURRENT	NOTE
H	X	High Z	Non selected	High Z	Standby (ICC2)	1
L	L/H	High Z	Non selected	High Z	Operating (ICC1)	1
L	H/L	DOUT	Selected	DOUT	Operating (ICC1)	1

NOTE1:X=H or L

**ABSOLUTE MAXIMUM RATINGS\***

RATING	VALUE
Ambient Operating Temperature	0°C to 70°C
Storage Temperature	-65°C to 125°C
Applied Input Voltage	-0.5V to 7.0V
Applied Output Voltage	-0.5V to 7.0V
VCC to Ground Potential	-0.5V to 7.0V
Power Dissipation	1.0W

**\*Notice:**

Stress greater than those listed under ABSOLUTE MAXIMUM RATINGS may cause permanent damage to the device. This is a stress rating only and functional operation of the device at these or any other conditions above those indicated in the operational sections of this specification is not implied. Exposure to absolute maximum rating conditions for extended period may affect reliability.

**DC CHARACTERISTICS (Ta = 0°C ~ 70°C, VCC = 5V±10%)**

Item	Symbol	MIN.	MAX.	Conditions
Output High Voltage	VOH	2.4	-	IOH = -1.0mA
Output Low Voltage	VOL	-	0.4V	IOL = 2.1mA
Input High Voltage	VIH	2.2V	VCC+0.3V	
Input Low Voltage	VIL	-0.3V	0.8V	
Input Leakage Current	ILI		10uA	VIN=0 to 5.5V
Output Leakage Current	ILO		10uA	VOUT=0 to 5.5V
Power-Down Supply Current	ICC3	-	100uA	$\overline{\text{CE}} > \text{VCC} - 0.2\text{V}$
Standby Supply Current	ICC2	-	1.0mA	$\overline{\text{CE}} = \text{VIH}$
Operating Supply Current	ICC1	-	60mA	Note 1



## CAPACITANCE (Ta = 25 °C, f=1.0MHz (Note 2))

Item	Symbol	TYP.	MAX.	UNIT	Conditions
Input Capacitance	CIN		10	pF	VIN=0V
Output Capacitance	COUT		10	pF	VOUT=0V

## AC CHARACTERISTICS (Ta = 0 °C ~ 70 °C, VCC = 5V±10%)

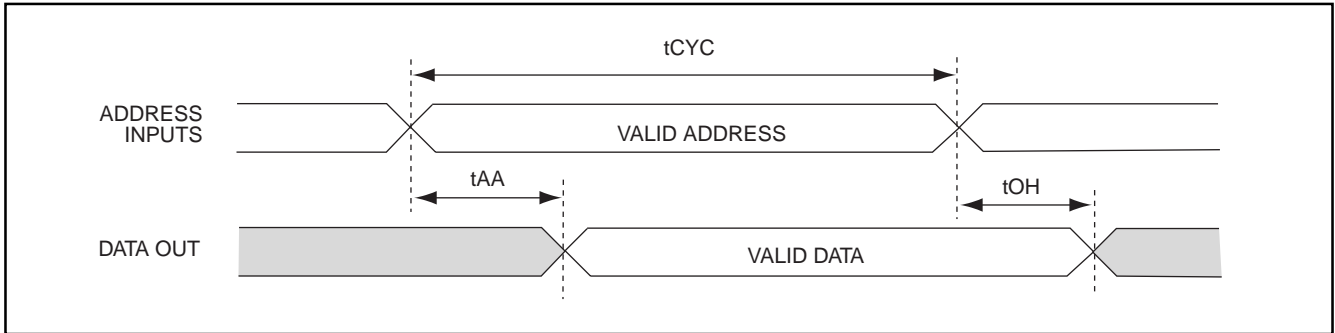
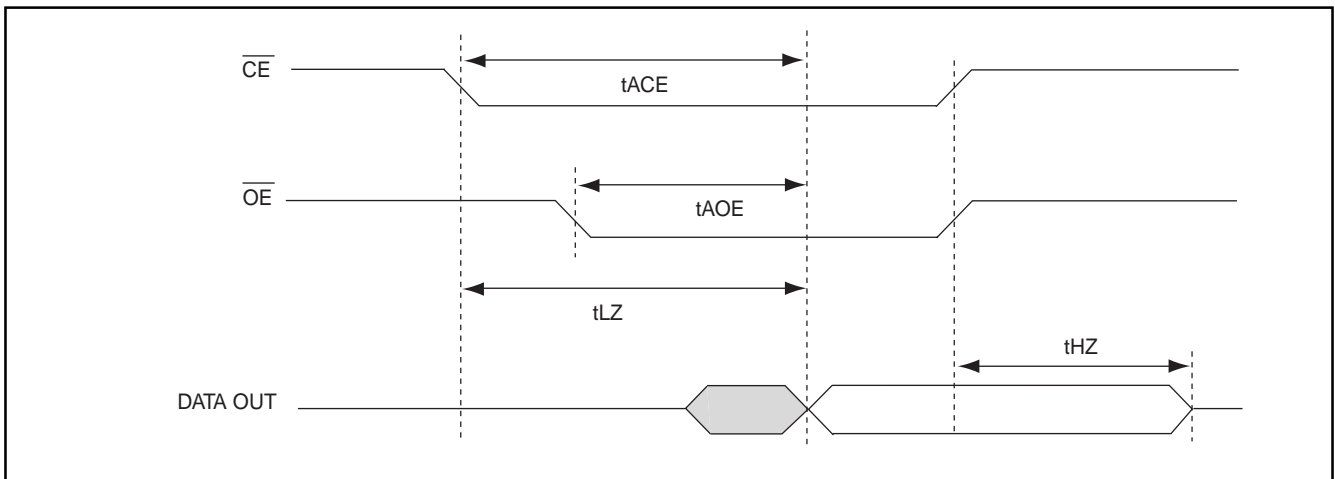
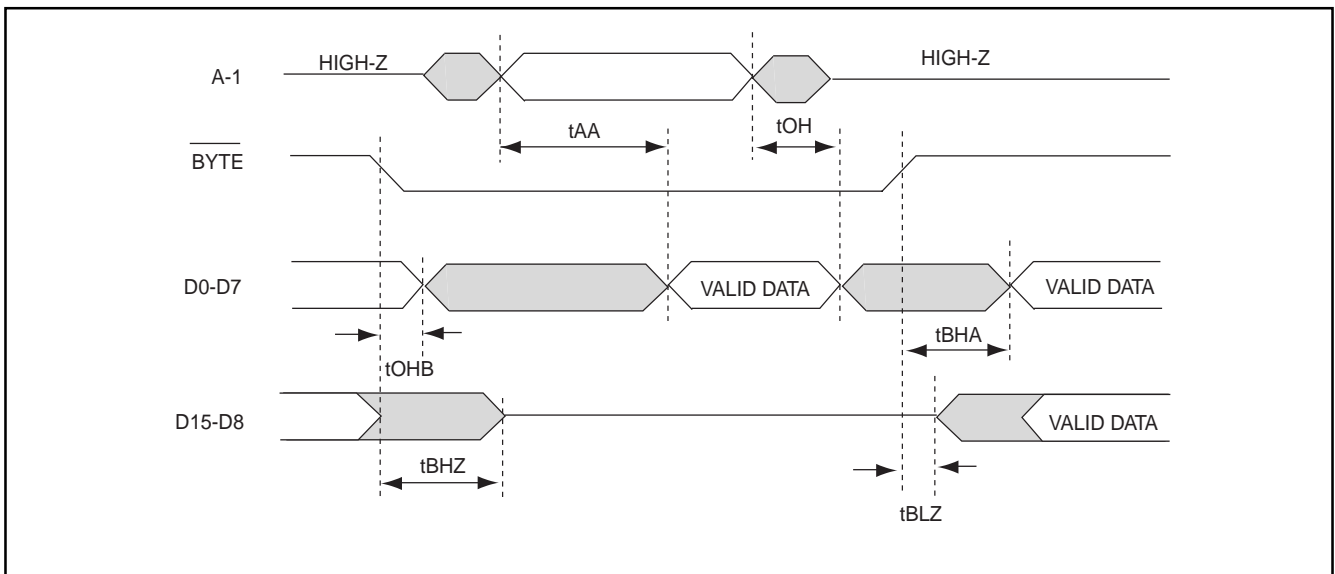
Item	Symbol	23C2100-15		23C2100-20		CONDITIONS
		MIN.	MAX.	MIN.	MAX.	
Cycle Time	tCYC	150ns	-	200ns	-	
Address Access Time	tAA	-	150ns	-	200ns	
Output Hold Time After Address Change	tOH	0ns	-	0ns	-	
Chip Enable Access Time	tACE	-	150ns	-	200ns	
Output Enable/Chip Select Access Time	tAOE	-	80ns	-	90ns	
Output Low Z Delay	tLZ	0ns	-	0ns	-	Note 3
Output High Z Delay	tHZ	-	70ns	-	70ns	Note 4
BYTE Access Time	tBHA	-	150ns	-	200ns	
BYTE Output Hold Time	tOHB	0ns	-	0ns	-	
BYTE Output Delay Time	tBHZ	-	70ns	-	70ns	
BYTE Output Set Time	tBLZ	10ns	-	10ns	-	

Note:

1. Measured with device selected at f=5 MHz and output unloaded.
2. This parameter is periodically sampled and is not 100% tested.
3. Output low-impedance delay (tLZ) is measured from CE going low.
4. Output high-impedance delay (tHZ) is measured from CE going high.

## AC Test Conditions

Input Pulse Levels	0.4V~ 2.4V
Input Rise and Fall Times	10ns
Input Timing Level	1.5V
Output Timing Level	0.8V and 2.0V
Output Load	1TLL+100pF

**TIMING DIAGRAM**
**PROPAGATION DELAY FROM ADDRESS ( $\overline{CE}/\overline{OE}$ =ACTIVE)**

**PROPAGATION DELAY FROM CHIP ENABLE (ADDRESS VALID)**

**PROPAGATION DELAY FROM CHIP ENABLE (ADDRESS VALID)**




# MX23C2100

## ORDER INFORMATION

Part No.	Access Time	Operating Current MAX.	Standby Current MAX.	Package
MX23C2100PC-12	150ns	60mA	100uA	40 Pin DIP
MX23C2100PC-15	200ns	60mA	100uA	40 pin DIP

## REVISION HISTORY

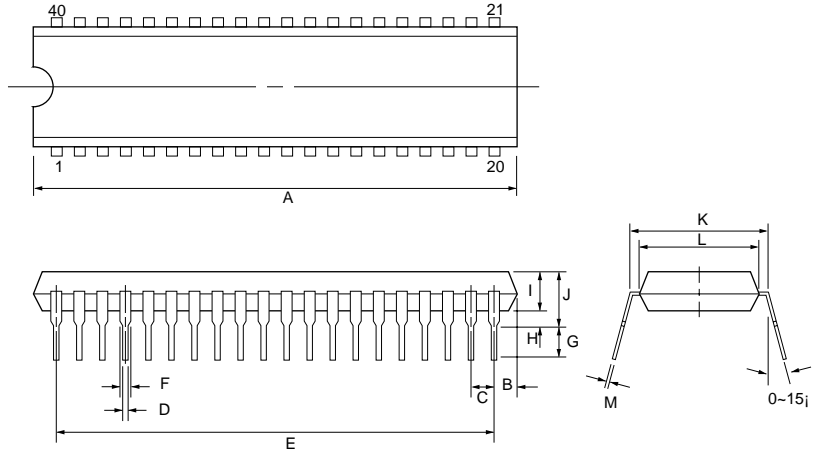
REVISION	DESCRIPTION	PAGE	DATE
2.2	AC CHARACTERISTICS tOH 10ns-->0ns	P3	JAN/29/1999

## PACKAGE INFORMATION

### 40-PIN PLASTIC DIP (600 mil)

ITEM	MILLIMETERS	INCHES
A	52.54 max.	2.070 max.
B	2.03 [REF]	.080 [REF]
C	2.54 [TP]	.100 [TP]
D	.46 [Typ.]	.018 [Typ.]
E	48.22	1.900
F	1.52 [Typ.]	.060 [Typ.]
G	3.30±.25	.130±.010
H	.51 [REF]	.020 [REF]
I	3.94±.25	1.55±.010
J	5.33 max.	.210 max.
K	15.22±.25	.600±.010
L	13.97±.25	.550±.010
M	.25 [Typ.]	.010 [Typ.]

**NOTE:** Each lead centerline is located within .25 mm [.01 inch] of its true position [TP] at maximum material condition.





**MX23C2100**

---

---

**MACRONIX INTERNATIONAL Co., LTD.**

**HEADQUARTERS:**

TEL:+886-3-578-8888

FAX:+886-3-578-8887

**EUROPE OFFICE:**

TEL:+32-2-456-8020

FAX:+32-2-456-8021

**JAPAN OFFICE:**

TEL:+81-44-246-9100

FAX:+81-44-246-9105

**SINGAPORE OFFICE:**

TEL:+65-747-2309

FAX:+65-748-4090

**TAIPEI OFFICE:**

TEL:+886-3-509-3300

FAX:+886-3-509-2200

**MACRONIX AMERICA, INC.**

TEL:+1-408-453-8088

FAX:+1-408-453-8488

**CHICAGO OFFICE:**

TEL:+1-847-963-1900

FAX:+1-847-963-1909

**[http : //www.macronix.com](http://www.macronix.com)**