

## FST16862 20-Bit Bus Switch

### General Description

The Fairchild Switch FST16862 provides 20-bits of high-speed CMOS TTL-compatible bus switching. The low On Resistance of the switch allows inputs to be connected to outputs without adding propagation delay or generating additional ground bounce noise.

The device is organized as a 20-bit bus switch. When  $\overline{OE}_x$  is LOW, the switch is ON and Port A is connected to Port B. When  $\overline{OE}_x$  is HIGH, a high impedance state exists between the A and B Ports.

### Features

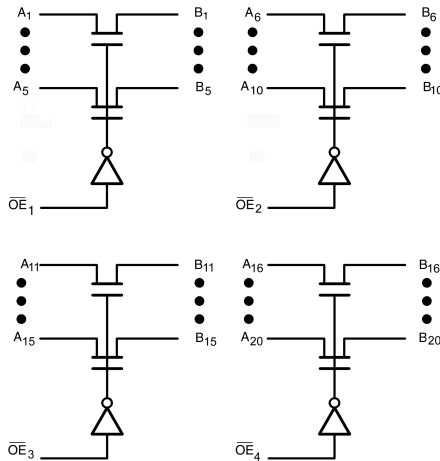
- 4Ω switch connection between two ports.
- Minimal propagation delay through the switch.
- Low  $I_{CC}$ .
- Zero bounce in flow-through mode.
- Control inputs compatible with TTL level.

### Ordering Code:

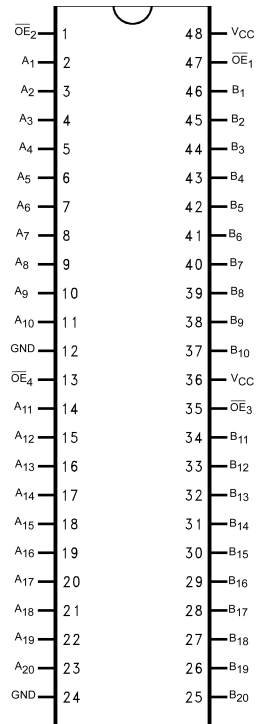
| Order Number | Package Number          | Package Description  |
|--------------|-------------------------|--|
| FST16862QSP  | MQA48A<br>(Preliminary) | 48-Lead Quarter Size Very Small Outline Package (QVSOP), JEDEC MO-154, 0.150" Wide |
| FST16862MTD  | MTD48                   | 48-Lead Thin Shrink Small Outline Package (TSSOP), JEDEC MO-153, 6.1mm Wide        |

Devices also available in Tape and Reel. Specify by appending the suffix letter "X" to the ordering code.

### Logic Diagram



### Connection Diagram



### Truth Table

| Inputs            | Inputs/Outputs |
|-------------------|----------------|
| $\overline{OE}_x$ | A, B           |
| L                 | A = B          |
| H                 | Z              |

### Pin Descriptions

| Pin Name          | Description        |
|-------------------|--------------------|
| $\overline{OE}_x$ | Bus Switch Enables |
| A                 | Bus A              |
| B                 | Bus B              |

**Absolute Maximum Ratings** (Note 1)

|   |                  |
|---|------------------|
| Supply Voltage ( $V_{CC}$ )                       | 0.5V to +7.0V    |
| DC Switch Voltage ( $V_S$ ) (Note 2)              | -0.5V to +7.0V   |
| DC Input Voltage ( $V_{IN}$ ) (Note 3)            | -0.5V to +7.0V   |
| DC Input Diode Current ( $I_{IK}$ ) $V_{IN} < 0V$ | -50 mA           |
| DC Output ( $I_{OUT}$ ) Current                   | 128 mA           |
| DC $V_{CC}/GND$ Current ( $I_{CC}/I_{GND}$ )      | $\pm 100$ mA     |
| Storage Temperature Range ( $T_{STG}$ )           | -65°C to +150 °C |

**Recommended Operating Conditions** (Note 4)

|  |                  |
|--|------------------|
| Power Supply Operating ( $V_{CC}$ )      | 4.0V to 5.5V     |
| Input Voltage ( $V_{IN}$ )               | 0V to 5.5V       |
| Output Voltage ( $V_{OUT}$ )             | 0V to 5.5V       |
| Input Rise and Fall Time ( $t_r, t_f$ )  |                  |
| Switch Control Input                     | 0 ns/V to 5 ns/V |
| Switch I/O                               | 0 ns/V to DC     |
| Free Air Operating Temperature ( $T_A$ ) | -40 °C to +85 °C |

**Note 1:** The "Absolute Maximum Ratings" are those values beyond which the safety of the device cannot be guaranteed. The device should not be operated at these limits. The parametric values defined in the Electrical Characteristics tables are not guaranteed at the absolute maximum rating. The "Recommended Operating Conditions" table will define the conditions for actual device operation.

**Note 2:**  $V_S$  is the voltage observed/applied at either the A or B Ports across the switch.

**Note 3:** The input and output negative voltage ratings may be exceeded if the input and output diode current ratings are observed.

**Note 4:** Unused control inputs must be held HIGH or LOW. They may not float.

**DC Electrical Characteristics**

| Symbol          | Parameter                                  | $V_{CC}$<br>(V) | $T_A = -40\text{ }^\circ\text{C to }+85\text{ }^\circ\text{C}$ |                 |           | Units         | Conditions   |
|-----------------|--|-----------------|--|-----------------|-----------|---------------|--|
|                 |  |                 | Min  | Typ<br>(Note 5) | Max       |               |  |
| $V_{IK}$        | Clamp Diode Voltage                        | 4.5             |  |                 | -1.2      | V             | $I_{IN} = -18\text{ mA}$                             |
| $V_{IH}$        | HIGH Level Input Voltage                   | 4.0 - 5.5       | 2.0  |                 |           | V             |  |
| $V_{IL}$        | LOW Level Input Voltage                    | 4.0 - 5.5       |  |                 | 0.8       | V             |  |
| $I_I$           | Input Leakage Current                      | 5.5             |  |                 | $\pm 1.0$ | $\mu\text{A}$ | $0 \leq V_{IN} \leq 5.5V$                            |
|                 |  | 0               |  |                 | $\pm 1.0$ | $\mu\text{A}$ | $V_{IN} = 5.5V$                                      |
| $I_{OZ}$        | OFF-STATE Leakage Current                  | 5.5             |  |                 | $\pm 1.0$ | $\mu\text{A}$ | $0 \leq A, B \leq V_{CC}$                            |
| $R_{ON}$        | Switch On Resistance<br>(Note 6)           | 4.5             |  | 4               | 7         | $\Omega$      | $V_{IN} = 0V, I_{IN} = 64\text{ mA}$                 |
|                 |  | 4.5             |  | 4               | 7         | $\Omega$      | $V_{IN} = 0V, I_{IN} = 30\text{ mA}$                 |
|                 |  | 4.5             |  | 7               | 12        | $\Omega$      | $V_{IN} = 2.4V, I_{IN} = 15\text{ mA}$               |
|                 |  | 4.0             |  | 11              | 20        | $\Omega$      | $V_{IN} = 2.4V, I_{IN} = 15\text{ mA}$               |
| $I_{CC}$        | Quiescent Supply Current                   | 5.5             |  |                 | 3         | $\mu\text{A}$ | $V_{IN} = V_{CC}$ or GND, $I_{OUT} = 0$              |
| $\Delta I_{CC}$ | Increase in $I_{CC}$ per Input<br>(Note 7) | 5.5             |  |                 | 2.5       | mA            | One Input at 3.4V<br>Other Inputs at $V_{CC}$ or GND |

**Note 5:** Typical values are at  $V_{CC} = 5.0V$  and  $T_A = +25^\circ\text{C}$

**Note 6:** Measured by the voltage drop between A and B pins at the indicated current through the switch. On resistance is determined by the lower of the voltages on the two (A or B) pins.

**Note 7:** Per TTL driven input, control pins only.

## AC Electrical Characteristics

| Symbol                | Parameter                             | $T_A = -40\text{ }^\circ\text{C to } +85\text{ }^\circ\text{C}$ ,<br>$C_L = 50\text{pF}$ , $R_U = R_D = 500\Omega$ |      |                        |      | Units | Conditions   | Figure Number |
|-----------------------|---------------------------------------|--|------|------------------------|------|-------|--|---------------|
|                       |                                       | $V_{CC} = 4.5 - 5.5\text{V}$   |      | $V_{CC} = 4.0\text{V}$ |      |       |  |               |
|                       |                                       | Min  | Max  | Min                    | Max  |       |  |               |
| $t_{PHL}$ , $t_{PLH}$ | Propagation Delay Bus-to-Bus (Note 8) |  | 0.25 |                        | 0.25 | ns    | $V_I = \text{OPEN}$  | Figures 1, 2  |
| $t_{PZH}$ , $t_{PZL}$ | Output Enable Time                    | 1.0  | 5.0  |                        | 5.3  | ns    | $V_I = 7\text{V}$ for $t_{PZL}$<br>$V_I = \text{OPEN}$ for $t_{PZH}$ | Figures 1, 2  |
| $t_{PHZ}$ , $t_{PLZ}$ | Output Disable Time                   | 1.0  | 6.0  |                        | 6.3  | ns    | $V_I = 7\text{V}$ for $t_{PLZ}$<br>$V_I = \text{OPEN}$ for $t_{PHZ}$ | Figures 1, 2  |

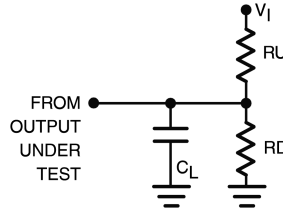
**Note 8:** This parameter is guaranteed by design but is not tested. The bus switch contributes no propagation delay other than the RC delay of the typical On Resistance of the switch and the 50pF load capacitance, when driven by an ideal voltage source (zero output impedance).

## Capacitance (Note 9)

| Symbol    | Parameter                            | Typ | Max | Units | Conditions  |
|-----------|--------------------------------------|-----|-----|-------|---|
| $C_{IN}$  | Control Pin Input Capacitance        | 3   |     | pF    | $V_{CC} = 5.0\text{V}$ , $V_{IN} = 0\text{V}$                   |
| $C_{I/O}$ | Input/Output Capacitance "OFF State" | 6   |     | pF    | $V_{CC}$ , $\overline{OE} = 5.0\text{V}$ , $V_{IN} = 0\text{V}$ |

**Note 9:**  $T_A = +25\text{ }^\circ\text{C}$ ,  $f = 1\text{ Mhz}$ , Capacitance is characterized but not tested.

## AC Loading and Waveforms

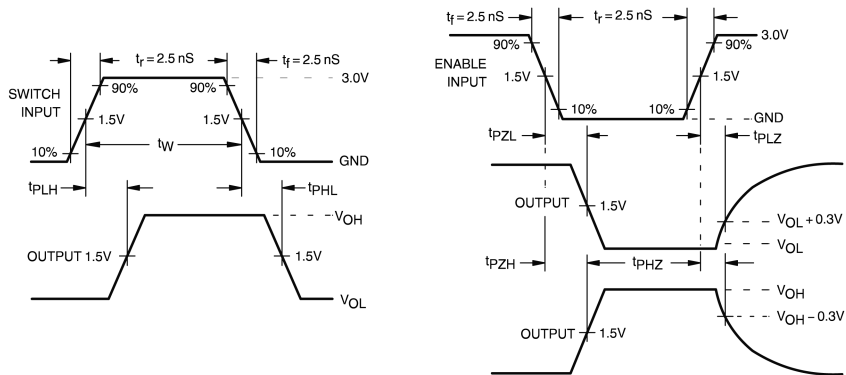


**Note:** Input driven by  $50\Omega$  source terminated in  $50\Omega$

**Note:**  $C_L$  includes load and stray capacitance

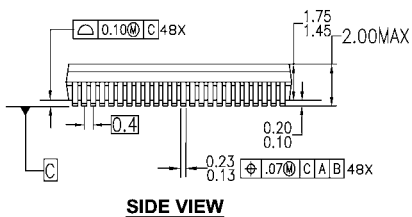
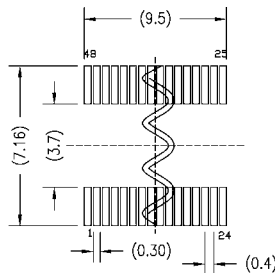
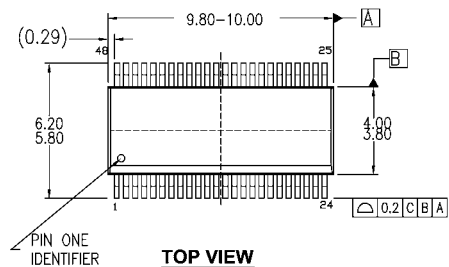
**Note:** Input PRR = 1.0 MHz,  $t_W = 500\text{ ns}$

**FIGURE 1. AC Test Circuit**

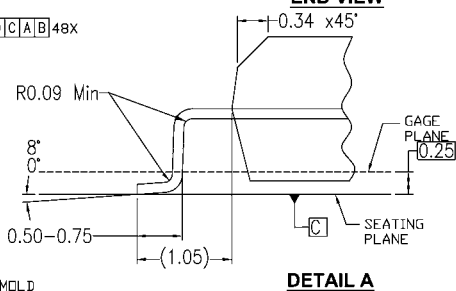
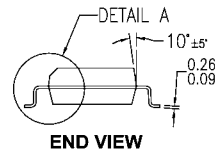


**FIGURE 2. AC Waveforms**

**Physical Dimensions** inches (millimeters) unless otherwise noted



**LAND PATTERN RECOMMENDATION**



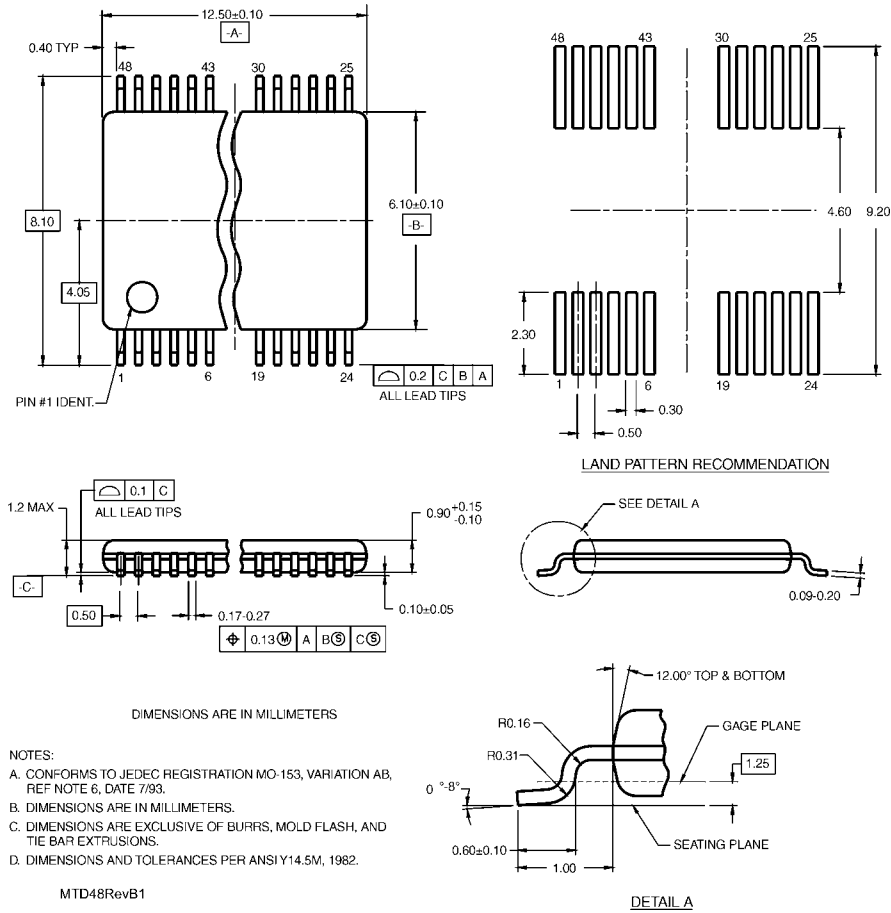
**NOTES:**

- A. THIS PACKAGE CONFORMS TO JEDEC MO-154 VERSION AB
- B. ALL DIMENSIONS IN MILLIMETERS
- C. DRAWING CONFORMS TO ASME Y14.5M-1994
- D. DIMENSIONS ARE EXCLUSIVE OF BURRS, MOLD FLASH, AND TIE BAR EXTRUSIONS.

MQA48AREVA

**48-Lead Quarter Size Very Small Outline Package (QVSOP), JEDEC MO-154, 0.150" Wide Package Number MQA48A (Preliminary)**

**Physical Dimensions** inches (millimeters) unless otherwise noted (Continued)



NOTES:  
 A. CONFORMS TO JEDEC REGISTRATION MO-153, VARIATION AB, REF NOTE 6, DATE 7/93.  
 B. DIMENSIONS ARE IN MILLIMETERS.  
 C. DIMENSIONS ARE EXCLUSIVE OF BURRS, MOLD FLASH, AND TIE BAR EXTRUSIONS.  
 D. DIMENSIONS AND TOLERANCES PER ANSI Y14.5M, 1982.

MTD48RevB1

**48-Lead Thin Shrink Small Outline Package (TSSOP), JEDEC MO-153, 6.1mm Wide Package Number MTD48**

**Technology Description**

The Fairchild Switch family derives from and embodies Fairchild's proven switch technology used for several years in its 74LVX3L384(FST3384) bus switch product.

Fairchild does not assume any responsibility for use of any circuitry described, no circuit patent licenses are implied and Fairchild reserves the right at any time without notice to change said circuitry and specifications.

**LIFE SUPPORT POLICY**

FAIRCHILD'S PRODUCTS ARE NOT AUTHORIZED FOR USE AS CRITICAL COMPONENTS IN LIFE SUPPORT DEVICES OR SYSTEMS WITHOUT THE EXPRESS WRITTEN APPROVAL OF THE PRESIDENT OF FAIRCHILD SEMICONDUCTOR CORPORATION. As used herein:

1. Life support devices or systems are devices or systems which, (a) are intended for surgical implant into the body, or (b) support or sustain life, and (c) whose failure to perform when properly used in accordance with instructions for use provided in the labeling, can be reasonably expected to result in a significant injury to the user.
2. A critical component in any component of a life support device or system whose failure to perform can be reasonably expected to cause the failure of the life support device or system, or to affect its safety or effectiveness.

[www.fairchildsemi.com](http://www.fairchildsemi.com)