

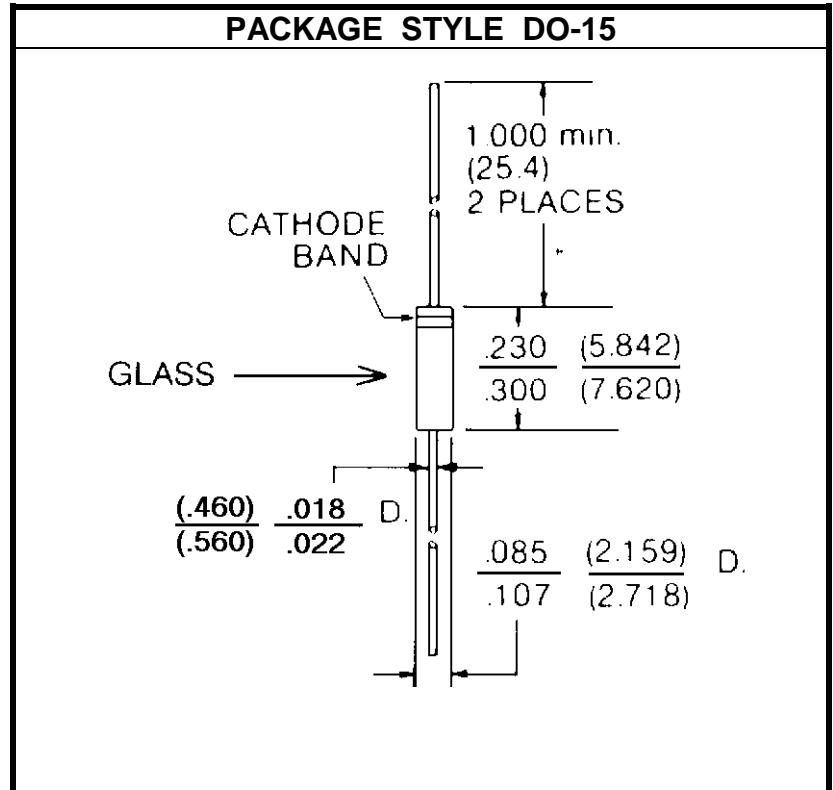
SCHOTTKY BARRIER DIODE

DESCRIPTION:

The **ASI 5082-2301** is a Silicon Small Signal Schottky Diode for General Purpose UHF/VHF Detection and Pulse Applications. Color Band Indicates Cathode.

MAXIMUM RATINGS

I_F	35 mA
V_R	30 V
P_{DISS}	250 mW @ T _A = 25 °C
T_J	-60 °C to +200 °C
T_{STG}	-60 °C to +200 °C
θ_{JC}	700 °C/W


CHARACTERISTICS T_C = 25 °C

SYMBOL	TEST CONDITIONS	MINIMUM	TYPICAL	MAXIMUM	UNITS
V _{BR}	I _R = 10 μA	30			V
I _R	V _R = 15 V			300	nA
V _F	I _F = 1.0 mA I _F = 50 mA			0.4 1.0	V
C _T	V _R = 0 V f = 1.0 MHz			1.0	pF
τ	I _F = 20 mA			100	pS