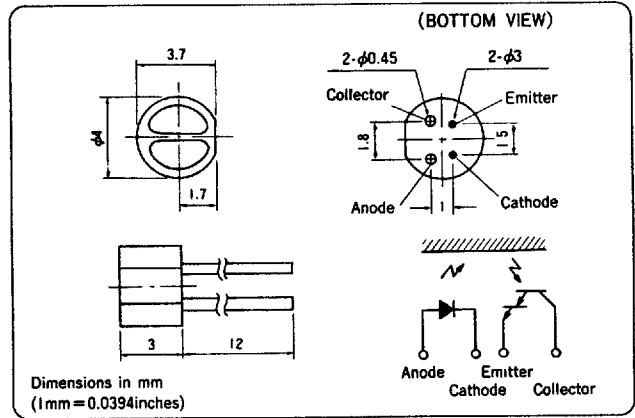


# Reflective Type Opto Sensor

# OM-2323

T-4(-73)

- Photo Darlington transistor output
- High Brightness with GaAlAs infrared LED.
- 4mm Dia. Ceramic Package
- Using visible light eliminating filter



### MAXIMUM RATINGS (Ta=25°C)

| Item            | Symbol                      | Value         |
|-----------------|-----------------------------|---------------|
| Input           | Forward Current             | IF 50mA       |
|                 | Pulse Forward Current       | IFP 500mA     |
|                 | Reverse Voltage             | VR 5V         |
| Output          | C-E Voltage                 | VCEO 20V      |
|                 | E-C Voltage                 | VECO 5V       |
|                 | Collector Current           | IC 50mA       |
|                 | Collector Power Dissipation | PC 75mW       |
| Operating Temp. | Topr                        | -20° ~ +85°C  |
| Storage Temp.   | Tstg                        | -30° ~ +100°C |

### ELECTRICAL CHARACTERISTICS (Ta=25°C)

| Item            | Symbol                 | Conditions        | Min | Typ | Max | Unit |
|-----------------|------------------------|-------------------|-----|-----|-----|------|
| Input           | Forward Voltage        | IF = 4mA          | -   | 1.2 | 1.3 | V    |
|                 | Reverse Current        | VR = 5V           | -   | -   | 10  | μA   |
| Output          | Dark Current           | VCE = 10V IF = 0  | -   | -   | 200 | nA   |
|                 | Collector Current*     | IF = 4mA VCE = 2V | 3.0 | 4.0 | -   | mA   |
|                 | C-E saturation Voltage | IF = 4mA IC = 2mA | -   | -   | 1.2 | V    |
| Switching Speed | Rise Time              | VCE = 5V IC = 4mA | -   | 250 | -   | μs   |
|                 | Fall Time              | RL = 100Ω         | -   | 250 | -   | μs   |

\* Reflective efficiency 90% white paper

### TYPICAL PERFORMANCE CURVES

