

## FEATURES

- ◆ Black on Grey Film STN
- ◆ Transflective Mode
- ◆ High Brightness CFL Backlight

- ◆ High Contrast LC Material
- ◆ Built-in LCD Controller HD61830B

## MECHANICAL DATA

Item	Value	Unit
Module Dimensions	159.4*101*11	mm
Viewing Area	123*68	mm
Resolution	240*128	dots
Dot Size	0.47*0.47	mm
Dot Pitch	0.5*0.5	mm
Weight	180	g

## OPTICAL DATA

Item	Symbol	Condition	Min	Typ	Max	Unit
Contrast Ratio	K	∅=10°, Q=0°, Note 1	-	(18)	-	-
Brightness	-	T=25°C, IL=5mA, Note 8	(60.0)	(80.0)	-	cd/m <sup>2</sup>
Viewing Direction	-	-	6			o'clock
Viewing Angle	∅2 - ∅1	K=2, Note 1	30	40	-	degree
Response Time (Rise)	t <sub>R</sub>	∅=10°, Q=0°, Note 1	-	(160)	(210)	ms
Response Time (Fall)	t <sub>F</sub>	∅=10°, Q=0°, Note 1	-	(110)	(160)	ms

## ABSOLUTE MAXIMUM RATINGS

Item	Symbol	Condition	Min	Max	Unit
Supply Voltage (Logic)	V <sub>DD</sub> - V <sub>SS</sub>	-	0	6.5	V
Supply Voltage (LC Drive)	V <sub>DD</sub> - V <sub>EE</sub>	-	0	20.5	V
Input Voltage	V <sub>I</sub>	-	-0.3	0.3+V <sub>DD</sub>	V
Operating Temperature	T <sub>OP</sub>	Note 5,6	0	50	°C
Storage Temperature	T <sub>ST</sub>	Note 7	-20	60	°C

## DATA INTERFACE PIN ASSIGNMENT

Pin No	Symbol	Level	Function
A1	VSS (0V)	-	Ground
A2	VDD (+5V)	-	Power supply for logic circuit
A3	V0	-	Power supply for LCD drive
A4	RS	-	Register select
A5	R/W	-	Read / Write
A6	E	-	Enable
A7-A14	DB0 - DB7	-	Display data
A15	Not CS	-	Chip select
A16	Not RET	-	Reset
A17	VEE (-15V)	-	Power supply for LCD drive
A18	Not DISP OFF	-	NC for Display ON, GND for Display OFF
A1- A20	NC	-	No connection

## CFL INTERFACE PIN ASSIGNMENT

Pin No	Symbol	Level	Function
1	GND	-	CFL Ground
2	NC	-	No connection
3	NC	-	No connection
4	HV	-	Power supply for CFL

- Note 1: Definition of optical data, see page 84  
 Note 2: f<sub>FRAME</sub>=75Hz, V<sub>DD</sub>-V<sub>0</sub>=15.8V, T<sub>a</sub>=25°C  
 Note 3: Recommended LCD driving may fluctuate about +/- 1.0V by each module.  
 Note 4: Need to make sure of flickering and rippling of display when setting the FRAME Frequency in your set.

## ELECTRICAL CHARACTERISTICS

Item	Symbol	Condition	Min	Typ	Max	Unit
Supply Voltage (Logic)	V <sub>DD</sub> - V <sub>SS</sub>	-	4.75	5.0	5.25	V
Supply Voltage (LC Drive)	V <sub>EE</sub> - V <sub>SS</sub>	-	-14.5	-15.0	-15.5	V
Supply Current	I <sub>DD</sub>	Note 2	-	9.7	12.0	mA
	I <sub>EE</sub>	Note 2	-	2.5	4.0	mA
Input Voltage (High Level)	V <sub>IH</sub>	High Level	0.8* V <sub>DD</sub>	-	V <sub>DD</sub>	V
Input Voltage (Low Level)	V <sub>IL</sub>	Low Level	0	-	0.2* V <sub>DD</sub>	V
Frame Frequency	f <sub>FLM</sub>	Note 4	-	75	-	Hz
Duty Ratio	-	-	-	1/128	-	-
Recommended LC Drive Voltage	V <sub>DD</sub> - V <sub>O</sub>	Duty=1/128 T=0°C, ∅=10°, Note 3	-	16.9	-	V
		Duty=1/128 T=25°C, ∅=10°, Note 3	-	15.8	-	V
		Duty=1/128 T=40°C, ∅=10°, Note 3	-	15.4	-	V
Backlight Lamp Voltage	V <sub>BL</sub>	T=25°C	-	360	-	Vrms
Backlight Lamp Frequency	f <sub>BL</sub>	T=25 °C	30	70	85	kHz
Backlight Lamp Current	I <sub>BL</sub>	T=25 °C	2.5	5.0	5.5	mArms
Lamp Start Voltage	V <sub>S</sub>	T=25°C, Note 9	(1000)	-	-	V

## TIMING CHARACTERISTICS

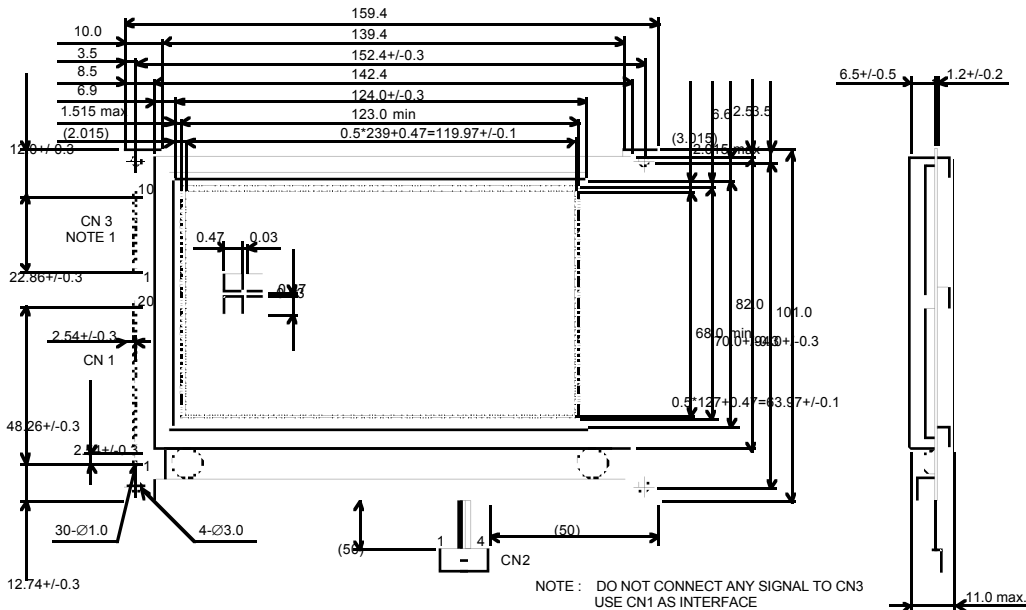
Item	Symbol	Min	Typ	Max	Unit
Enable cycle time	t <sub>CYC</sub>	1.0	-	-	us
Enable pulse width (High level)	t <sub>WEH</sub>	0.45	-	-	us
Enable pulse width (Low level)	t <sub>WEL</sub>	0.45	-	-	us
Enable rise time	t <sub>Er</sub>	-	-	25	ns
Enable fall time	t <sub>Ef</sub>	-	-	25	ns
Set up time of CS, R/W, RS	t <sub>AS</sub>	140	-	-	ns
Set up time of Input Data	t <sub>DIS</sub>	225	-	-	ns
Data delay time	t <sub>DD</sub>	-	-	225	ns
Hold time of Data	t <sub>H</sub>	10	-	-	ns
Hold time of CS, R/W, RS	t <sub>AH</sub>	10	-	-	ns
Data hold time	t <sub>DH</sub>	20	-	-	ns

## INVERTER AND CONNECTORS

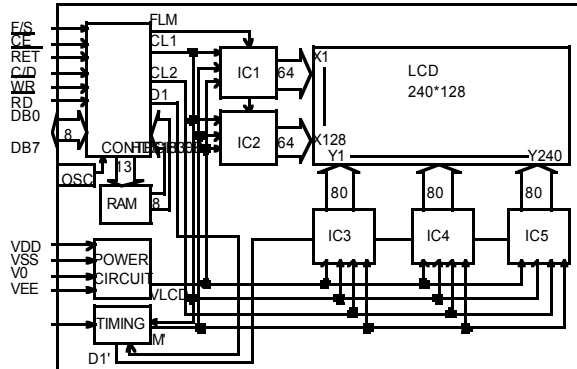
Recommended Inverter	Starter Kit
HITACHI INVVC191	START74xx
Lamp Connector	Lamp Housing Connector
MITSUMI M63M83-04	M61M73-04, M60-04-30-114P or M60-04-30-134P

- Note 5: Background colour of the LCD changes depending on temperature. Between 40-50°C optical characteristics of the LCD like contrast and viewing angle change but the display remains readable.  
 Note 6: Higher starting voltage of CFL and higher LCD driving voltage are needed while operating at 0°C. The lifetime of CFL will be reduced at 0°C  
 Note 7: Storage at -20°C < 48 hr, T<sub>a</sub> at 60°C < 168 hr  
 Note 8: Measurement after 10 minutes of CFL operating. Brightness control100%  
 Note 9: Starting discharge voltage is increased when LCM is operating at lower temperature. Please check the characteristics of inverter before applying.

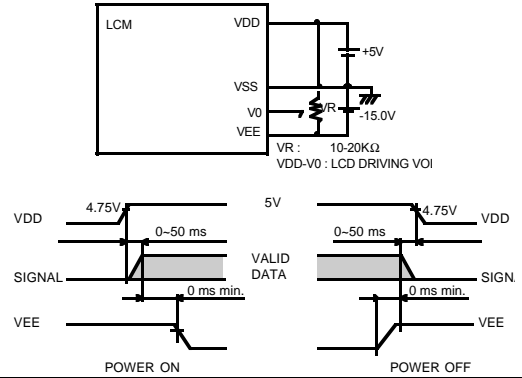
**MECHANICAL DIMENSIONS**



**BLOCK DIAGRAM**



**POWER SUPPLY / POWER UP TIMING DIAGRAM**



**INTERFACE TIMING DIAGRAM**

