

Document Title

4Mx16 bit Page Mode Uni-Transistor Random Access Memory

Revision History

| <u>Revision No.</u> | <u>History</u>   | <u>Draft Date</u> | <u>Remark</u> |
|---------------------|--|-------------------|---------------|
| 0.0                 | Initial Draft<br>- Design Target   | April 12, 2004    | Advanced      |
| 0.1                 | Revised<br>- Filled out Icc2 and ISB1 value<br>Icc2(max) : 40mA<br>ISB1(max, < 40°C) : 120 $\mu$ A<br>ISB1(max, < 85°C) : 180 $\mu$ A<br>- Changed tOH from min.5ns into min.3ns<br>- Added tCSHP( $\overline{\text{CS}}$ High Pulse Width) as min.10ns<br>- Added tWHP( $\overline{\text{WE}}$ High Pulse Width) as min.5ns | November 3, 2004  | Preliminary   |
| 1.0                 | Finalize<br>- Added Lead Free Product  | April 06, 2005    | Final         |

The attached datasheets are provided by SAMSUNG Electronics. SAMSUNG Electronics CO., LTD. reserve the right to change the specifications and products. SAMSUNG Electronics will answer to your questions about device. If you have any questions, please contact the SAMSUNG branch offices.

## 4M x 16 bit Page Mode Uni-Transistor CMOS RAM

### FEATURES

- Process Technology: CMOS
- Organization: 4M x16 bit
- Power Supply Voltage: 2.7~3.1V
- Three State Outputs
- Compatible with Low Power SRAM
- Support 4 page read mode
- Package Type: 48-FBGA-6.00x8.00

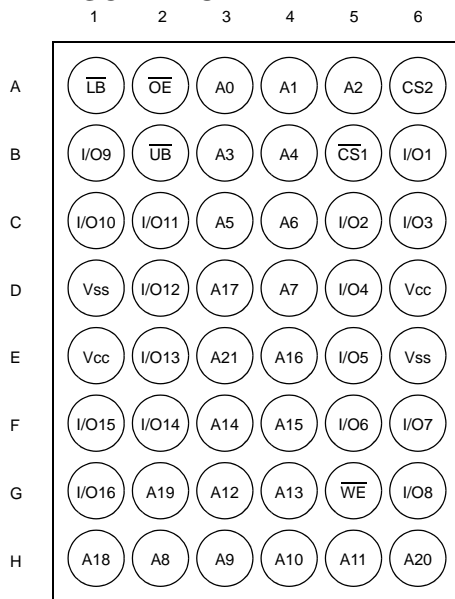
### GENERAL DESCRIPTION

The K1S64161CC is fabricated by SAMSUNG's advanced CMOS technology using one transistor memory cell. The device supports 4 page read operation and Industrial temperature range. The device supports dual chip selection for user interface. The device also supports internal Temperature Compensated Self Refresh mode for the standby power saving at room temperature range.

### PRODUCT FAMILY

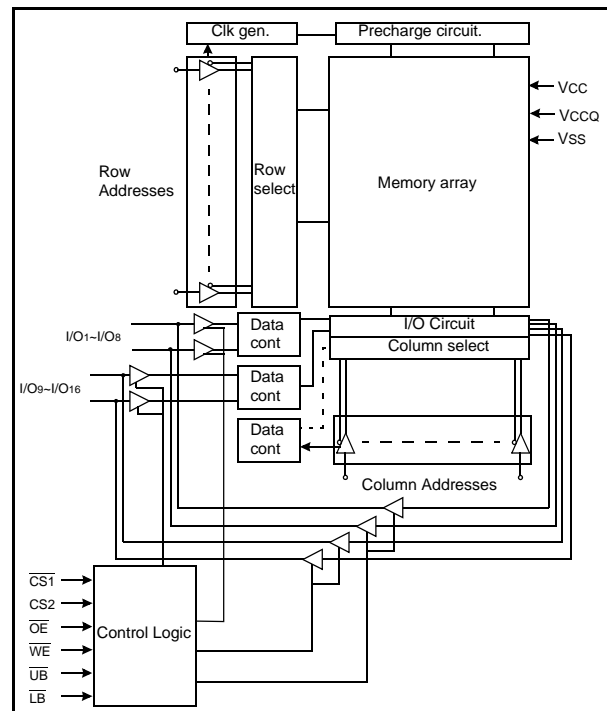
| Product Family | Operating Temp.      | Vcc Range | Speed (trc) | Power Dissipation                 |                                     | PKG Type          |
|----------------|----------------------|-----------|-------------|-----------------------------------|-------------------------------------|-------------------|
|                |                      |           |             | Standby (I <sub>SB1</sub> , Max.) | Operating (I <sub>CC2</sub> , Max.) |                   |
| K1S64161CC-I   | Industrial(-40~85°C) | 2.7~3.1V  | 70ns        | 120μA(< 40°C)                     | 40mA                                | 48-FBGA-6.00x8.00 |
|                |                      |           |             | 180μA(< 85°C)                     |                                     |                   |

### PIN DESCRIPTION



48-FBGA: Top View(Ball Down)

### FUNCTIONAL BLOCK DIAGRAM



| Name       | Function            | Name                   | Function                    |
|------------|---------------------|------------------------|-----------------------------|
| CS1, CS2   | Chip Select Inputs  | Vcc/Vccq <sup>2)</sup> | Power Supply(core / I/O)    |
| OE         | Output Enable Input | Vss                    | Ground                      |
| WE         | Write Enable Input  | UB                     | Upper Byte(I/O9~16)         |
| A0~A21     | Address Inputs      | LB                     | Lower Byte(I/O1~8)          |
| I/O1~I/O16 | Data Inputs/Outputs | NC                     | No Connection <sup>1)</sup> |

1) Reserved for future use

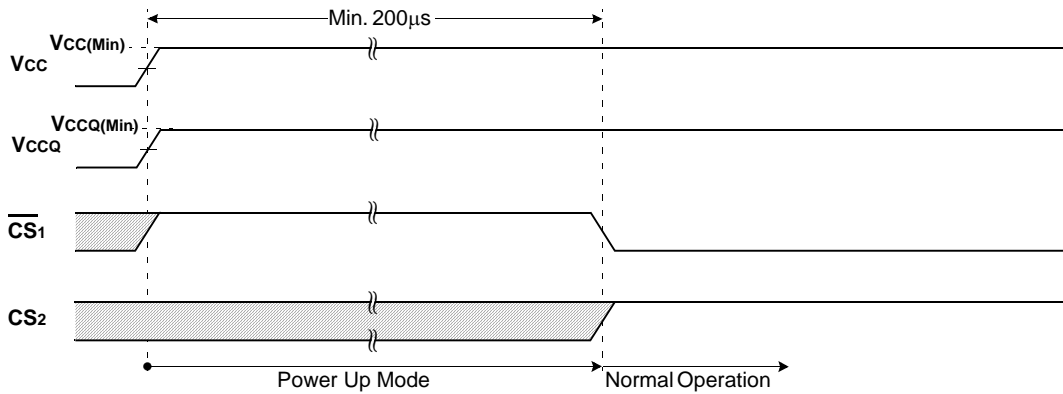
2) Vcc and Vccq should be the same level

SAMSUNG ELECTRONICS CO., LTD. reserves the right to change products and specifications without notice.

**POWER UP SEQUENCE**

1. Apply power.
2. Maintain stable power ( $V_{CC}$  min. and  $V_{CCQ}$  min.=2.7V) for a minimum 200 $\mu$ s with  $\overline{CS1}$ =high.or  $CS2$ =low.

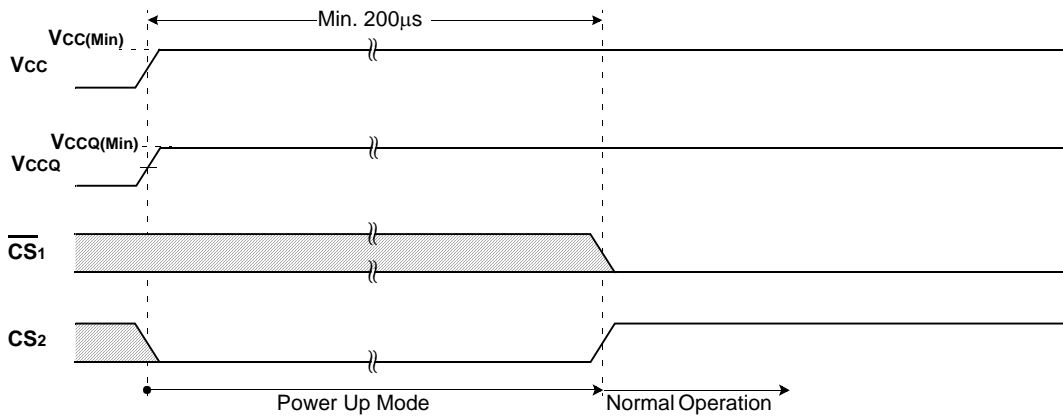
**TIMING WAVEFORM OF POWER UP(1) ( $\overline{CS1}$  controlled)**



POWER UP(1)

1. After  $V_{CC}$  reaches  $V_{CC(Min)}$  and  $V_{CCQ(Min)}$ , wait 200 $\mu$ s with  $\overline{CS1}$  high. Then the device gets into the normal operation.

**TIMING WAVEFORM OF POWER UP(2) ( $CS2$  controlled)**



POWER UP(2)

1. After  $V_{CC}$  reaches  $V_{CC(Min)}$  and  $V_{CCQ(Min)}$ , wait 200 $\mu$ s with  $CS2$  low. Then the device gets into the normal operation.

**FUNCTIONAL DESCRIPTION**

| $\overline{CS1}$ | $CS2$           | $\overline{OE}$ | $\overline{WE}$ | $\overline{LB}$ | $\overline{UB}$ | I/O <sub>1-8</sub> | I/O <sub>9-16</sub> | Mode             | Power   |
|------------------|-----------------|-----------------|-----------------|-----------------|-----------------|--------------------|---------------------|------------------|---------|
| H                | X <sup>1)</sup> | X <sup>1)</sup> | X <sup>1)</sup> | X <sup>1)</sup> | X <sup>1)</sup> | High-Z             | High-Z              | Deselected       | Standby |
| X <sup>1)</sup>  | L               | X <sup>1)</sup> | X <sup>1)</sup> | X <sup>1)</sup> | X <sup>1)</sup> | High-Z             | High-Z              | Deselected       | Standby |
| X <sup>1)</sup>  | X <sup>1)</sup> | X <sup>1)</sup> | X <sup>1)</sup> | H               | H               | High-Z             | High-Z              | Deselected       | Standby |
| L                | H               | H               | H               | L               | X <sup>1)</sup> | High-Z             | High-Z              | Output Disabled  | Active  |
| L                | H               | H               | H               | X <sup>1)</sup> | L               | High-Z             | High-Z              | Output Disabled  | Active  |
| L                | H               | L               | H               | L               | H               | Dout               | High-Z              | Lower Byte Read  | Active  |
| L                | H               | L               | H               | H               | L               | High-Z             | Dout                | Upper Byte Read  | Active  |
| L                | H               | L               | H               | L               | L               | Dout               | Dout                | Word Read        | Active  |
| L                | H               | X <sup>1)</sup> | L               | L               | H               | Din                | High-Z              | Lower Byte Write | Active  |
| L                | H               | X <sup>1)</sup> | L               | H               | L               | High-Z             | Din                 | Upper Byte Write | Active  |
| L                | H               | X <sup>1)</sup> | L               | L               | L               | Din                | Din                 | Word Write       | Active  |

1. X means don't care. (Must be low or high state)

**ABSOLUTE MAXIMUM RATINGS<sup>1)</sup>**

| Item  | Symbol                             | Ratings                        | Unit |
|---|------------------------------------|--------------------------------|------|
| Voltage on any pin relative to V <sub>SS</sub>                | V <sub>IN</sub> , V <sub>OUT</sub> | -0.2 to V <sub>CCQ</sub> +0.3V | V    |
| Voltage on V <sub>CC</sub> supply relative to V <sub>SS</sub> | V <sub>CC</sub>                    | -0.2 to 3.6V                   | V    |
| Power Dissipation   | P <sub>D</sub>                     | 1.0                            | W    |
| Storage temperature   | T <sub>STG</sub>                   | -65 to 150                     | °C   |
| Operating Temperature   | T <sub>A</sub>                     | -40 to 85                      | °C   |

1. Stresses greater than those listed under "Absolute Maximum Ratings" may cause permanent damage to the device. Functional operation should be restricted to be used under recommended operating condition. Exposure to absolute maximum rating conditions longer than 1 second may affect reliability.

## PRODUCT LIST

| Industrial Temperature Product(-40~85°C) |                         |
|--|-------------------------|
| Part Name                                | Function                |
| K1S64161CC-FI70                          | 48-FBGA, 70ns, 2.9V     |
| K1S64161CC-BI70                          | 48-FBGA, 70ns, 2.9V, LF |

1. LF : Lead Free Product

## RECOMMENDED DC OPERATING CONDITIONS<sup>1)</sup>

| Item               | Symbol          | Min                    | Typ | Max                                 | Unit |
|--------------------|-----------------|------------------------|-----|-------------------------------------|------|
| Supply voltage     | V <sub>CC</sub> | 2.7                    | 2.9 | 3.1                                 | V    |
| Ground             | V <sub>SS</sub> | 0                      | 0   | 0                                   | V    |
| Input high voltage | V <sub>IH</sub> | 0.8 x V <sub>CCQ</sub> | -   | V <sub>CCQ</sub> +0.2 <sup>2)</sup> | V    |
| Input low voltage  | V <sub>IL</sub> | -0.2 <sup>3)</sup>     | -   | 0.6                                 | V    |

1. T<sub>A</sub>=-40 to 85°C, otherwise specified.

2. Overshoot: V<sub>CCQ</sub>+1.0V in case of pulse width ≤20ns.

3. Undershoot: -1.0V in case of pulse width ≤20ns.

4. Overshoot and undershoot are sampled, not 100% tested.

## CAPACITANCE<sup>1)</sup>(f=1MHz, T<sub>A</sub>=25°C)

| Item                     | Symbol          | Test Condition      | Min | Max | Unit |
|--------------------------|-----------------|---------------------|-----|-----|------|
| Input capacitance        | C <sub>IN</sub> | V <sub>IN</sub> =0V | -   | 8   | pF   |
| Input/Output capacitance | C <sub>IO</sub> | V <sub>IO</sub> =0V | -   | 10  | pF   |

1. Capacitance is sampled, not 100% tested.

## DC AND OPERATING CHARACTERISTICS

| Item                      | Symbol                         | Test Conditions   | Min    | Typ | Max | Unit |    |
|---------------------------|--------------------------------|---|--------|-----|-----|------|----|
| Input leakage current     | I <sub>LI</sub>                | V <sub>IN</sub> =V <sub>SS</sub> to V <sub>CCQ</sub>  | -1     | -   | 1   | μA   |    |
| Output leakage current    | I <sub>LO</sub>                | $\overline{CS1}=V_{IH}$ or $\overline{CS2}=V_{IL}$ or $\overline{OE}=V_{IH}$ or $\overline{WE}=V_{IL}$ or $\overline{LB}=\overline{UB}=V_{IH}$ ,<br>V <sub>IO</sub> =V <sub>SS</sub> to V <sub>CCQ</sub>  | -1     | -   | 1   | μA   |    |
| Average operating current | I <sub>CC2</sub>               | Cycle time=t <sub>RC</sub> +3t <sub>PC</sub> , I <sub>IO</sub> =0mA, 100% duty, $\overline{CS1}=V_{IL}$ ,<br>$\overline{CS2}=V_{IH}$ , $\overline{LB}=V_{IL}$ or/and $\overline{UB}=V_{IL}$ , V <sub>IN</sub> =V <sub>IH</sub> or V <sub>IL</sub> | -      | -   | 40  | mA   |    |
| Output low voltage        | V <sub>OL</sub>                | I <sub>OL</sub> =2.1mA  | -      | -   | 0.4 | V    |    |
| Output high voltage       | V <sub>OH</sub>                | I <sub>OH</sub> =-1.0mA   | 2.4    | -   | -   | V    |    |
| Standby Current(CMOS)     | I <sub>SB1</sub> <sup>1)</sup> | Other inputs=0-V <sub>CCQ</sub>   | < 40°C | -   | -   | 120  | μA |
|                           |                                | 1) $\overline{CS1} \geq V_{CCQ}-0.2V$ , $\overline{CS2} \geq V_{CCQ}-0.2V$ ( $\overline{CS1}$ controlled) or<br>2) $0V \leq \overline{CS2} \leq 0.2V$ ( $\overline{CS2}$ controlled)  | < 85°C | -   | -   | 180  | μA |

1. Standby mode is supposed to be set up after at least one active operation after power up.

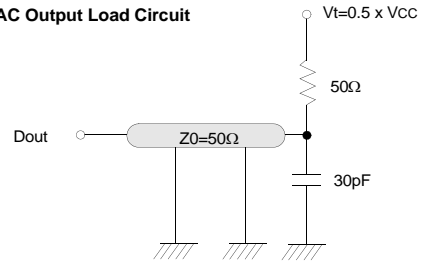
I<sub>SB1</sub> is measured after 60ms from the time when standby mode is set up.)

**AC OPERATING CONDITIONS**

**TEST CONDITIONS**(Test Load and Test Input/Output Reference)

Input pulse level: 0.4 to 2.2V  
 Input rising and falling time: 3ns  
 Input and output reference voltage: 0.5 x V<sub>CCQ</sub>  
 Output load (See right): C<sub>L</sub>=30pF

AC Output Load Circuit



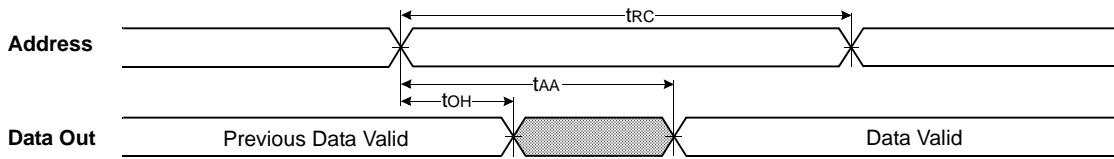
**AC CHARACTERISTICS** (V<sub>CC</sub>=V<sub>CCQ</sub>=2.7~3.1V, T<sub>A</sub>=-40 to 85°C)

| Parameter List   | Symbol   | Speed Bins |                  | Units |    |
|------------------|--|------------|------------------|-------|----|
|                  |  | 70ns       |                  |       |    |
|                  |  | Min        | Max              |       |    |
| Common           | $\overline{\text{CS}}$ High Pulse Width                                  | tCSHP      | 10               | -     | ns |
| Read             | Address Access Time  | tAA        | -                | 70    | ns |
|                  | Chip Select to Output  | tCO        | -                | 70    | ns |
|                  | Output Enable to Valid Output  | tOE        | -                | 35    | ns |
|                  | $\overline{\text{UB}}$ , $\overline{\text{LB}}$ Access Time              | tBA        | -                | 70    | ns |
|                  | Chip Select to Low-Z Output  | tLZ        | 10               | -     | ns |
|                  | $\overline{\text{UB}}$ , $\overline{\text{LB}}$ Enable to Low-Z Output   | tBLZ       | 10               | -     | ns |
|                  | Output Enable to Low-Z Output  | tOLZ       | 5                | -     | ns |
|                  | Chip Disable to High-Z Output  | tHZ        | 0                | 25    | ns |
|                  | $\overline{\text{UB}}$ , $\overline{\text{LB}}$ Disable to High-Z Output | tBHZ       | 0                | 25    | ns |
|                  | Output Disable to High-Z Output  | tOHZ       | 0                | 25    | ns |
|                  | Output Hold from Address Change  | tOH        | 3                | -     | ns |
|                  | Page Cycle   | tPC        | 25               | -     | ns |
| Page Access Time | tPA  | -          | 20               | ns    |    |
| Write            | Write Cycle Time   | tWC        | 70               | -     | ns |
|                  | Chip Select to End of Write  | tCW        | 60               | -     | ns |
|                  | Address Set-up Time  | tAS        | 0                | -     | ns |
|                  | Address Valid to End of Write  | tAW        | 60               | -     | ns |
|                  | $\overline{\text{UB}}$ , $\overline{\text{LB}}$ Valid to End of Write    | tBW        | 60               | -     | ns |
|                  | Write Pulse Width  | tWP        | 55 <sup>1)</sup> | -     | ns |
|                  | $\overline{\text{WE}}$ High Pulse Width                                  | tWHP       | 5                | -     | ns |
|                  | Write Recovery Time  | tWR        | 0                | -     | ns |
|                  | Write to Output High-Z   | tWHZ       | 0                | 25    | ns |
|                  | Data to Write Time Overlap   | tdW        | 30               | -     | ns |
|                  | Data Hold from Write Time  | tdH        | 0                | -     | ns |
|                  | End Write to Output Low-Z  | tOW        | 5                | -     | ns |

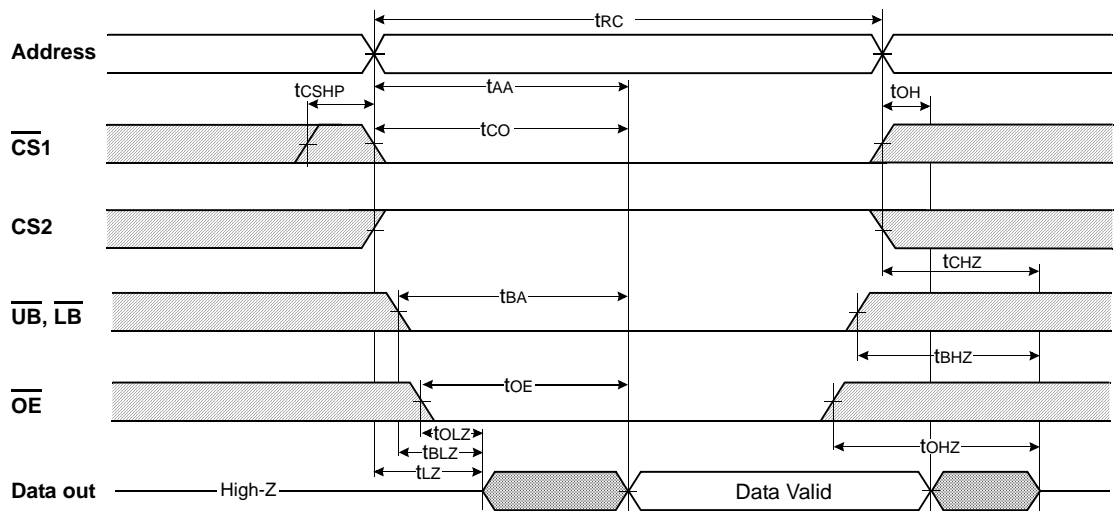
1. tWP(min)=70ns for continuous write operation over 50 times.

TIMING DIAGRAMS

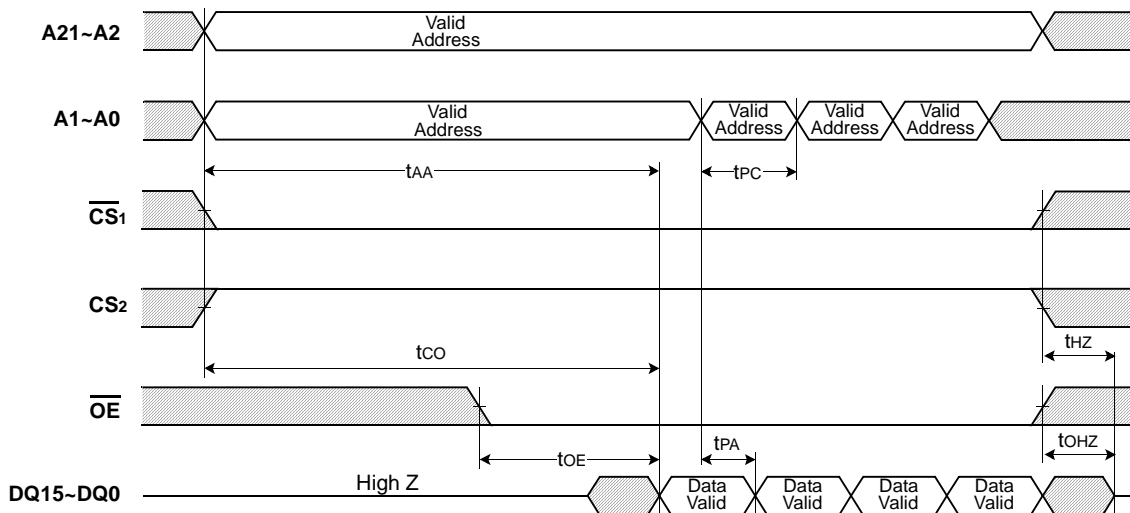
TIMING WAVEFORM OF READ CYCLE(1)(Address Controlled,  $\overline{CS1}=\overline{OE}=V_{IL}$ ,  $CS2=\overline{WE}=V_{IH}$ ,  $\overline{UB}$  or/and  $\overline{LB}=V_{IL}$ )



TIMING WAVEFORM OF READ CYCLE(2)( $\overline{WE}=V_{IH}$ )



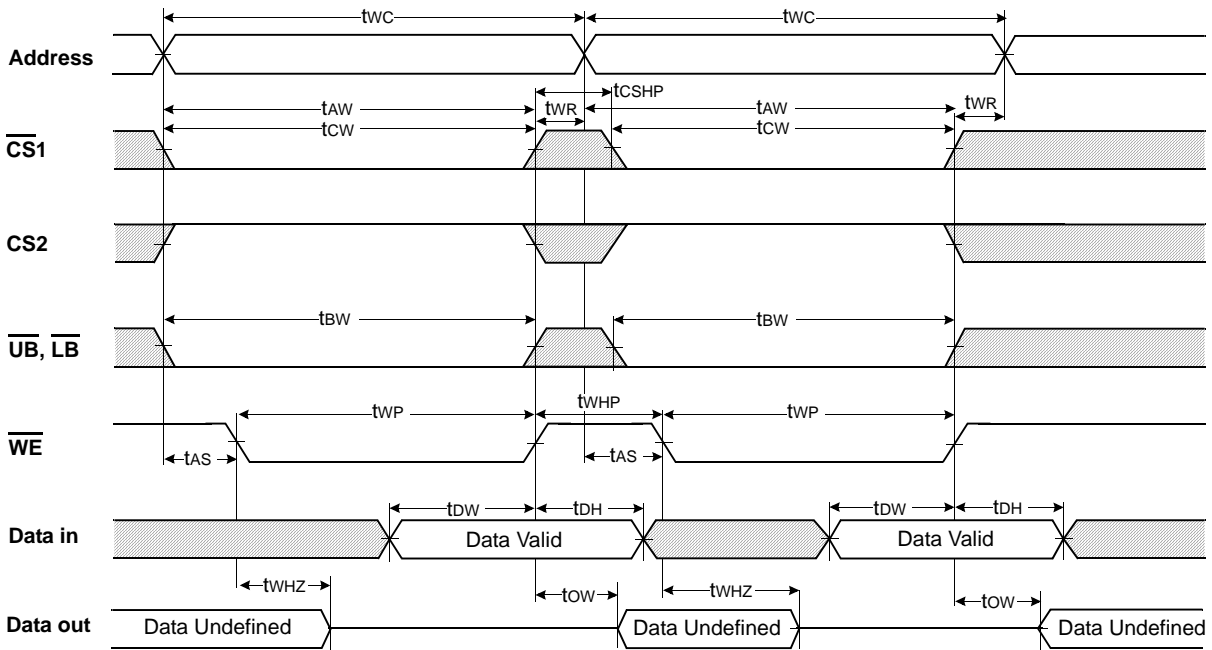
TIMING WAVEFORM OF PAGE CYCLE(READ ONLY)



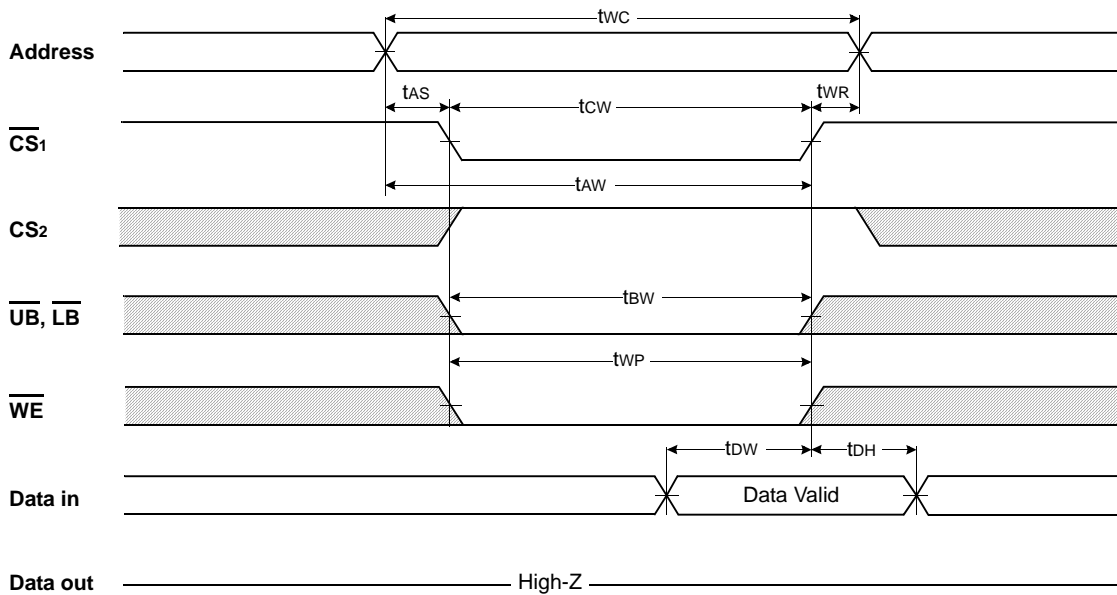
(READ CYCLE)

1. tHZ and tOHZ are defined as the time at which the outputs achieve the open circuit conditions and are not referenced to output voltage levels.
2. At any given temperature and voltage condition, tHZ(Max.) is less than tLZ(Min.) both for a given device and from device to device interconnection.
3. tOE(max) is met only when  $\overline{OE}$  becomes enabled after tAA(max).
4. If invalid address signals shorter than min. tRC are continuously repeated for over 4 $\mu$ s, the device needs a normal read timing(tRC) or needs to sustain standby state for min. tRC at least once in every 4 $\mu$ s.

TIMING WAVEFORM OF WRITE CYCLE(1) ( $\overline{WE}$  Controlled)

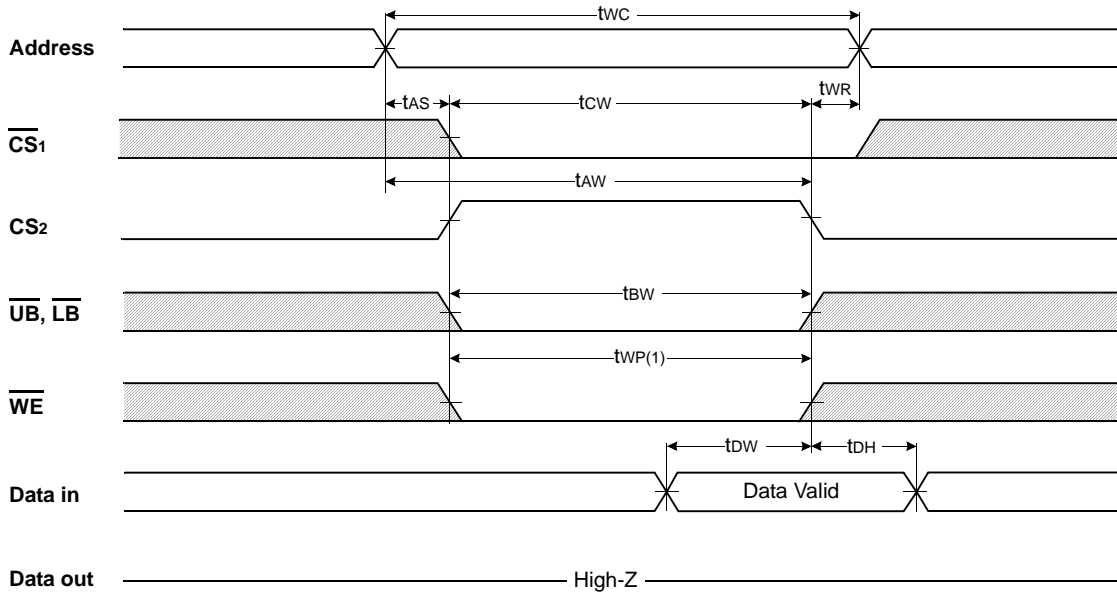


TIMING WAVEFORM OF WRITE CYCLE(2) ( $\overline{CS1}$  Controlled)

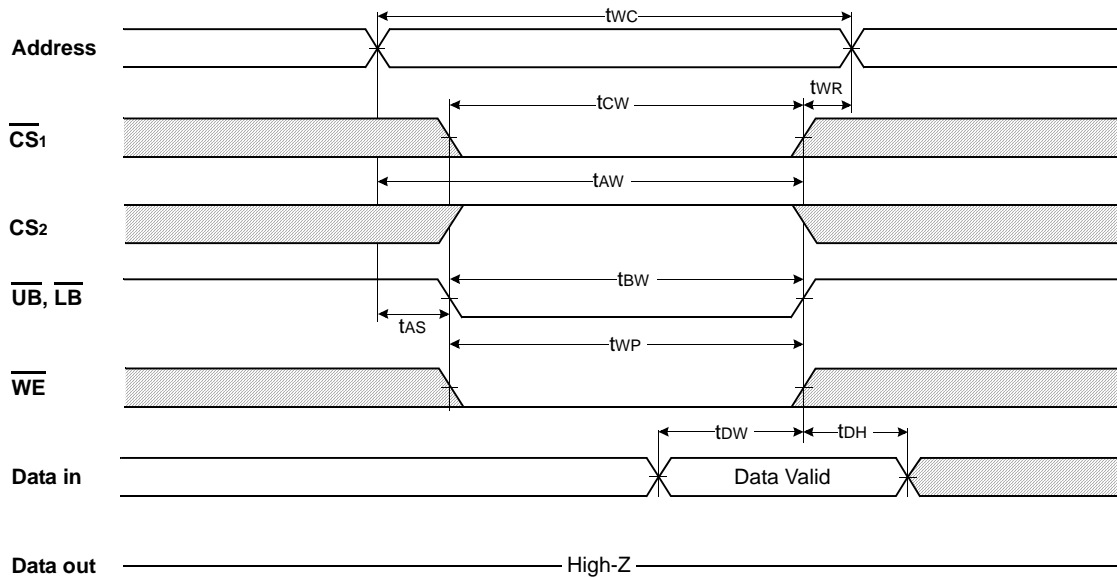




**TIMING WAVEFORM OF WRITE CYCLE(3) (CS<sub>2</sub> Controlled)**



**TIMING WAVEFORM OF WRITE CYCLE(4) ( $\overline{UB}$ ,  $\overline{LB}$  Controlled)**

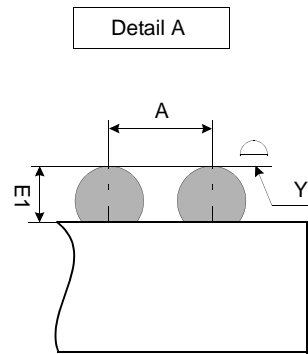
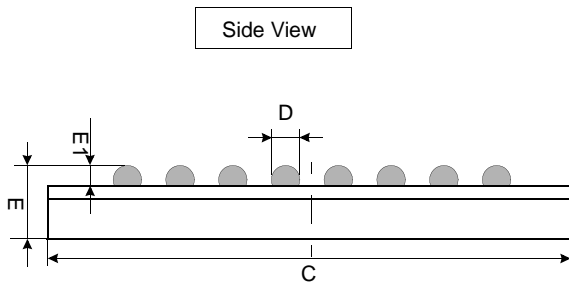
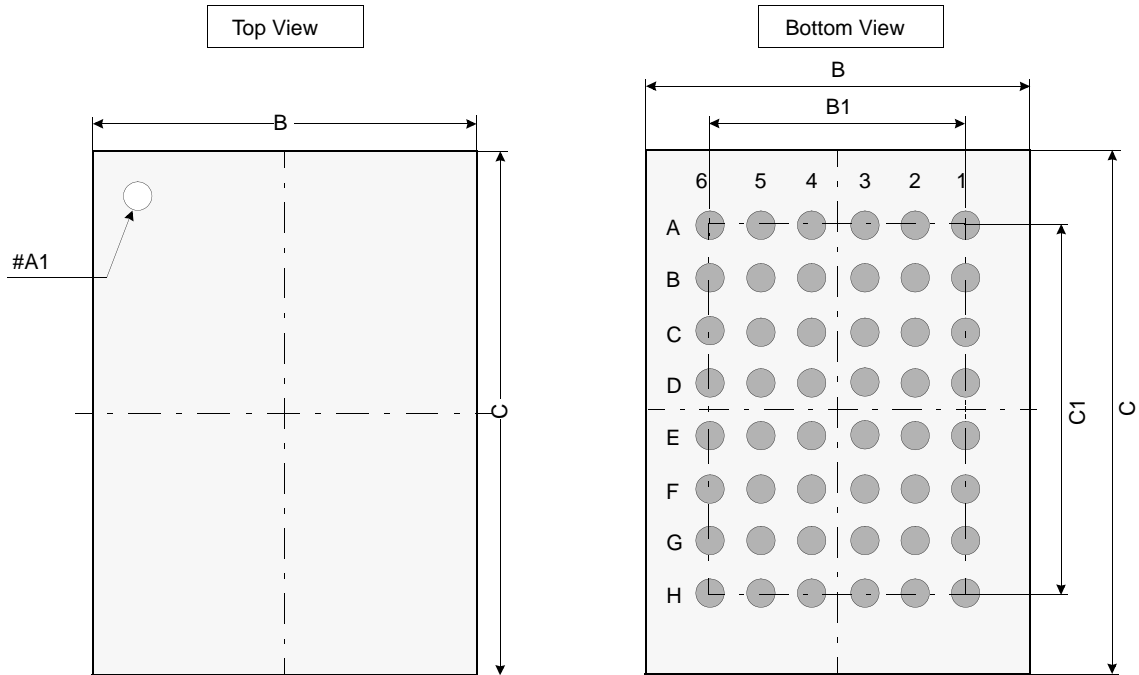


**NOTES (WRITE CYCLE)**

1. A write occurs during the overlap( $t_{WP}$ ) of low  $\overline{CS1}$  and low  $\overline{WE}$ . A write begins when  $\overline{CS1}$  goes low and  $\overline{WE}$  goes low with asserting  $\overline{UB}$  or  $\overline{LB}$  for single byte operation or simultaneously asserting  $\overline{UB}$  and  $\overline{LB}$  for double byte operation. A write ends at the earliest transition when  $\overline{CS1}$  goes high and  $\overline{WE}$  goes high. The  $t_{WP}$  is measured from the beginning of write to the end of write.
2.  $t_{CW}$  is measured from the  $\overline{CS1}$  going low to the end of write.
3.  $t_{AS}$  is measured from the address valid to the beginning of write.
4.  $t_{WR}$  is measured from the end of write to the address change.  $t_{WR}$  is applied in case a write ends with  $\overline{CS1}$  or  $\overline{WE}$  going high.

PACKAGE DIMENSION

48 BALL FINE PITCH BGA(0.75mm ball pitch)



|    | Min  | Typ  | Max  |
|----|------|------|------|
| A  | -    | 0.75 | -    |
| B  | 5.90 | 6.00 | 6.10 |
| B1 | -    | 3.75 | -    |
| C  | 7.90 | 8.00 | 8.10 |
| C1 | -    | 5.25 | -    |
| D  | 0.40 | 0.45 | 0.50 |
| E  | -    | -    | 1.00 |
| E1 | 0.25 | -    | -    |
| Y  | -    | -    | 0.10 |

Notes.

1. Bump counts: 48(8 row x 6 column)
2. Bump pitch : (x,y)=(0.75 x 0.75)(typ.)
3. All tolerance are  $\pm 0.050$  unless specified beside figures.
4. Typ : Typical
5. Y is coplanarity