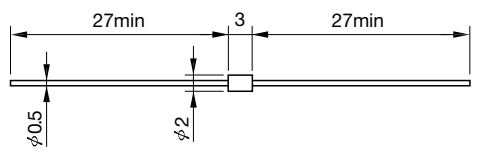

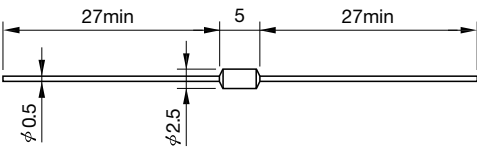

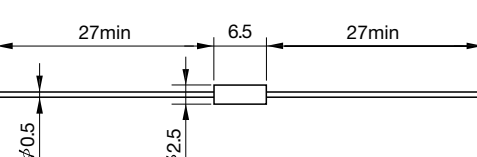


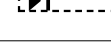
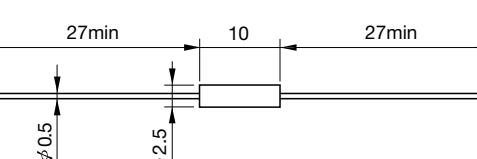
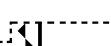
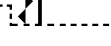
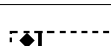
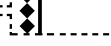


# High-Voltage Rectifier Diodes

Parameter Type No.	Absolute Maximum Ratings					Electrical Characteristics (Ta=25°C)							Others															
	V <sub>RM</sub> (kV)	I <sub>F(AV)</sub> (mA)	I <sub>FSM</sub> (A) 50Hz Half-cycle Sinewave Single Shot	T <sub>c</sub> (°C)	T <sub>stg</sub> (°C)	V <sub>F</sub> (V)		I <sub>R</sub> (μA) V <sub>R</sub> =V <sub>RM</sub> max	I <sub>R(H)</sub> (μA) V <sub>R</sub> =V <sub>RM</sub> Ta=100°C max	t <sub>rr</sub> (μs)			Mass (g)	Fig.	Remarks													
						max	I <sub>F</sub> (mA)			I <sub>F</sub> /I <sub>RP</sub> (mA)	Ta=100°C																	
SHV-02	2	2.0 TV high voltage rectifier Capacitive load	0.3	100	-40 to +120	16	10	1	3	0.18	10/10	—	0.13	A	For general FBT													
SHV-03S	3																											
SHV-03	3																											
SHV-10	10																											
SHV-12	12																											
SHV-14	14																											
SHV-16	16																											
SHV-20	20																											
SHV-24	24																											
SHV-06EN	6															2.0 TV high voltage rectifier Capacitive load	0.5	100	-40 to +120	24	10	1	3	0.15	10/10	0.20	0.17	C
SHV-08EN	8																											
SHV-10EN	10																											
SHV-12EN	12																											
SHV-08DN	8																											
SHV-10DN	10																											
SHV-12DN	12																											
HVR-1X-40B	9	350	20	60 (Ta)	-40 to +130	9	350	10	V <sub>Z</sub> =9.5 to 15kV	—	—	2.5	G	For Microwave Oven														
UX-F0B	8														15													

Type No.	External Dimensions (Unit: mm)	Marking (Cathode Mark)	
		Pattern	Color
SHV-02	Fig. A 		White
SHV-03S			Red
SHV-03	Fig. B 		White
SHV-06EN	Fig. C 		White
SHV-08EN			White
SHV-08DN			Red
SHV-10EN	Fig. D 		White
SHV-10DN			Red
SHV-12EN			White
SHV-12DN			Red

Type No.	External Dimensions (Unit: mm)	Marking (Cathode Mark)	
		Pattern	Color
SHV-10	Fig. ㉔ 		White
SHV-12			
SHV-14			
SHV-16	Fig. ㉕ 		White
SHV-20			
SHV-24			

- The SHV series of diodes have been miniaturized by resin on the assumption for remolding. Measures against creeping discharge and humidity stress must be taken when using these diodes.
- The taping specifications of the SHV series differ from ordinary diodes. (P.10)

### SHV series

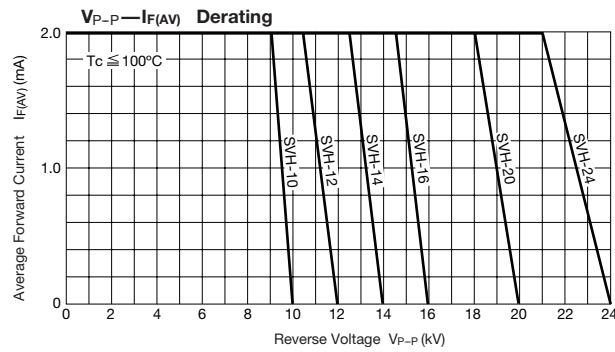


Fig. ㉔

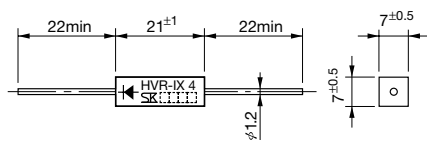


Fig. ㉕

