

TC74LCXR164245FT

16-BIT DUAL SUPPLY VOLTAGE

INTERFACE BUS TRANSCEIVER WITH SERIES RESISTOR

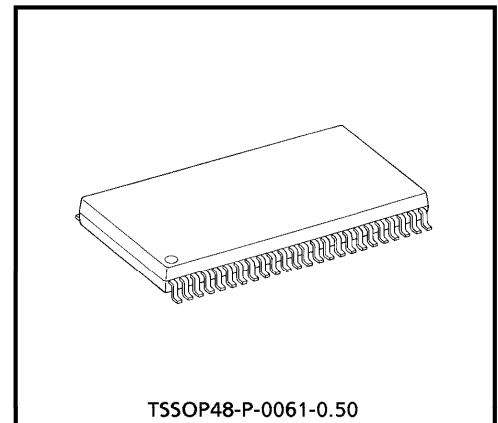
The TC74LCXR164245 is a dual supply, advanced high speed CMOS 16 bit DUAL SUPPLY VOLTAGE INTERFACE BUS TRANSCEIVER fabricated with silicon gate CMOS technology.

Designed for use as an interface between a 5 V bus and a 3.3 V or 2.5 V bus in mixed 5 V/3.3 V or 2.5 V supply systems' it achieves high speed operation while maintaining the CMOS low power dissipation.

It is intended for 2 way asynchronous communication between data busses. The direction of data transmission is determined by the level of the DIR input. The enable input (\overline{OE}) can be used to disable the device so that the busses are effectively isolated. The B-port interfaces with the 5 V bus, the A-port with the 3.3 V or 2.5 V bus.

The 26- Ω series resistor helps reducing output overshoot and undershoot without external resistor.

All inputs are equipped with protection circuits against static discharge or transient excess voltage.



Weight : 0.25 g (Typ.)

FEATURES

- 26- Ω series resistors on outputs
 - Bidirectional interface between 5 V and 3.3 V or 2.5 V buses
 - High speed : $t_{pd} = TBD$ (max)
($V_{CCB} = 5 \pm 0.5 V / V_{CCA} = 3.3 \pm 0.3 V$, $T_a = -40 \sim 85^\circ C$)
 - Low power dissipation : $I_{CC} = 80 \mu A$ (max) ($T_a = -40 \sim 85^\circ C$)
 - Symmetrical output impedance : $I_{OUTB} = \pm 12 mA$ (min)
 $I_{OUTA} = \pm 12 mA$ (min)
($V_{CCB} = 4.5 V / V_{CCA} = 3.0 V$)
 - Power Down Protection is provided on all inputs and outputs.
 - Allows A port and V_{CCA} to float simultaneously when \overline{OE} is "H".
 - Latch-up Performance : $\pm 300 mA$
 - Package : TSSOP (Thin Shrink Small Outline Package)
- (Note 1) : Do not apply a signal to any bus terminal when it is in the output mode. Damage may result.
All floating (high impedance) bus terminals must have their input fixed by means of pull up or pull down resistors.

980910EBA1

- TOSHIBA is continually working to improve the quality and the reliability of its products. Nevertheless, semiconductor devices in general can malfunction or fail due to their inherent electrical sensitivity and vulnerability to physical stress. It is the responsibility of the buyer, when utilizing TOSHIBA products, to observe standards of safety, and to avoid situations in which a malfunction or failure of a TOSHIBA product could cause loss of human life, bodily injury or damage to property. In developing your designs, please ensure that TOSHIBA products are used within specified operating ranges as set forth in the most recent products specifications. Also, please keep in mind the precautions and conditions set forth in the TOSHIBA Semiconductor Reliability Handbook.
- The products described in this document are subject to the foreign exchange and foreign trade laws.
- The information contained herein is presented only as a guide for the applications of our products. No responsibility is assumed by TOSHIBA CORPORATION for any infringements of intellectual property or other rights of the third parties which may result from its use. No license is granted by implication or otherwise under any intellectual property or other rights of TOSHIBA CORPORATION or others.
- The information contained herein is subject to change without notice.