

NCS2200 Series

Advance Information Low Voltage Comparators

The NCS2200 series is an industry first sub-one volt, low power comparator family. These devices consume only 10 μA of supply current. They are guaranteed to operate at a low voltage of 0.85 V which allows them to be used in systems that require less than 1.0 V and is fully operational up to 6.0 V which makes it convenient to be used in both 3.0 V and 5.0 V systems. Additional features include no output phase inversion when transitioning in/out of tri-state mode, internal hysteresis which allows for clean output switching, and rail-to-rail input performance. The NCS2200 series are available in the tiny SOT23-5 and SOT23-6 package and feature two industry standard pinouts.

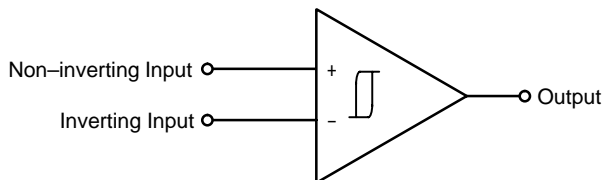
The NCS22201/3 Series in the SOT23-6 package features an enable function which can be externally controlled. This lowers current consumption to 1.8 μA and allows for users to implement these devices in power sensitive applications such as portable electronics.

Features

- Operating Voltage of 0.85 V to 6.0 V
- Rail-to-rail Input/Output Performance
- Low Supply Current of 10 μA
- No Phase Inversion/Glitchless transitioning in or out of Tri-State Mode
- Complementary or Open Drain Output Configuration
- Available with the Enable Function
- Tiny SOT23-5 and SOT23-6 Package

Typical Applications

- Single Cell NiCd/NiMH Battery Powered Applications
- Window Comparator
- Portable Electronics
- Voltage Detector
- Zero-Crossing Detectors
- Personal Digital Assistants



This device contains 93 active transistors.

This document contains information on a new product. Specifications and information herein are subject to change without notice.



ON Semiconductor™

<http://onsemi.com>

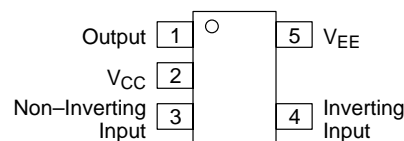


SOT23-5
(TSOP-5, SC59-5)
SN SUFFIX
CASE 483

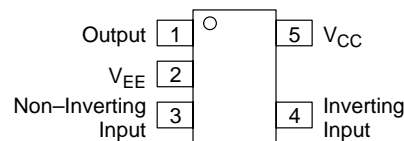


SOT23-6
(TSOP-6, SC59-6)
SN SUFFIX
CASE 318G

PIN CONNECTIONS

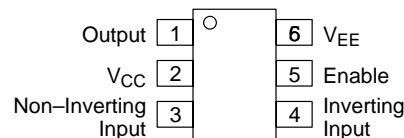


Style 1 Pinout (SN1T1)

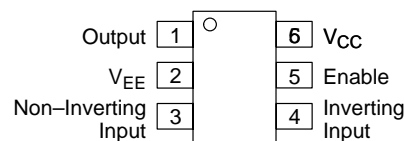


Style 2 Pinout (SN2T1)

SOT23-5
(NCS2200, NCS2202)



Style 1 Pinout (SN1T1)



Style 2 Pinout (SN2T1)

SOT23-6
(NCS2201, NCS2203)

ORDERING INFORMATION

See detailed ordering and shipping information in the package dimensions section on page 10 of this data sheet.

DEVICE MARKING INFORMATION

See general marking information in the device marking section on page 10 of this data sheet.

NCS2200 Series

MAXIMUM RATINGS

Rating	Symbol	Value	Unit
Supply Voltage Range (V_{CC} to V_{EE})	V_S	6.0	V
Non-inverting/Inverting Input to V_{EE}	–	–0.1 to ($V_{CC} + 0.1$)	V
Thermal Resistance, Junction to Air	$R_{\theta JA}$	238	°C/W
Operating Junction Temperature	T_J	150	°C
Operating Ambient Temperature	T_A	–40 to +105	°C
Storage Temperature Range	T_{stg}	–65 to +150	°C
Output Short Circuit Duration Time (Note 1)	t_S	Indefinite	s
ESD Tolerance (Note 2) Human Body Model Machine Model	–	2000 200	V

1. The maximum package power dissipation limit must not be exceeded.

$$P_D = \frac{T_{J(max)} - T_A}{R_{\theta JA}}$$

2. ESD data available upon request.

ELECTRICAL CHARACTERISTICS (For all values $V_{CC} = 0.85$ V to 6.0 V, $T_A = 25^\circ\text{C}$, unless otherwise noted.) (Note 3)

Characteristics	Symbol	Min	Typ	Max	Unit
Input Hysteresis $T_A = 25^\circ\text{C}$ $T_A = -40^\circ\text{C}$ to 105°C	V_{HYS}	–	± 3.0	–	mV
Input Offset Voltage $T_A = 25^\circ\text{C}$ $T_A = -40^\circ\text{C}$ to 105°C	V_{IO}	–	± 0.5	± 5.0	mV
Common Mode Voltage Range	V_{CM}	$V_{EE} - 0.1$	–	$V_{CC} + 0.1$	V
Output Leakage Current	I_{LEAK}	–	TBD	–	μA
Common Mode Rejection $V_{CM} = V_{CC}$	CMRR	–	80	–	dB
Input Bias Current	I_{IB}	–	0.001	10	nA
Power Supply Rejection $\Delta V_S = 2.575$	PSRR	–	–	–	dB
Supply Current $V_{CC} = 0.85$ V $T_A = 25^\circ\text{C}$ $T_A = -40^\circ\text{C}$ to 105°C $V_{CC} = 3.0$ V $T_A = 25^\circ\text{C}$ $T_A = -40^\circ\text{C}$ to 105°C $V_{CC} = 6.0$ V $T_A = 25^\circ\text{C}$ $T_A = -40^\circ\text{C}$ to 105°C	I_{CC}	–	10	–	μA
Output Voltage High $I_{source} = 7.0$ mA $V_{CC} = 0.85$ V $T_A = 25^\circ\text{C}$ $T_A = -40^\circ\text{C}$ to 105°C $V_{CC} = 3.0$ V $T_A = 25^\circ\text{C}$ $T_A = -40^\circ\text{C}$ to 105°C $V_{CC} = 6.0$ V $T_A = 25^\circ\text{C}$ $T_A = -40^\circ\text{C}$ to 105°C	V_{OH}	–	$V_{CC} - 0.2$	–	V

3. The limits over the extended temperature range are guaranteed by design only.

NCS2200 Series

ELECTRICAL CHARACTERISTICS (For all values $V_{CC} = 0.85\text{ V}$ to 6.0 V , $T_A = 25^\circ\text{C}$, unless otherwise noted.) (Note 4)

Characteristics	Symbol	Min	Typ	Max	Unit
Output Voltage Low $I_{\text{sink}} = 7.0\text{ mA}$ $V_{CC} = 0.85\text{ V}$ $T_A = 25^\circ\text{C}$ $T_A = -40^\circ\text{C}$ to 105°C $V_{CC} = 3.0\text{ V}$ $T_A = 25^\circ\text{C}$ $T_A = -40^\circ\text{C}$ to 105°C $V_{CC} = 6.0\text{ V}$ $T_A = 25^\circ\text{C}$ $T_A = -40^\circ\text{C}$ to 105°C	V_{OL}	–	0.2	–	V
Propagation Delay 10 mV Overdrive, $C_L = 50\text{ pF}$	t_{PHL} t_{PLH}	– –	1.1 1.1	– –	μs
Output Voltage Fall Time $C_L = 50\text{ pF}$	t_{FALL}	–	50	–	ns
Output Voltage Rise Time $C_L = 50\text{ pF}$	t_{RISE}	–	50	–	ns
Power-up Time	t_{PU}	–	50	100	μs
Tri-state Leakage Current	$I_{TRI-LEAK}$	–	3.0	–	nA

ENABLE FUNCTION (NCS2201/3 only) ELECTRICAL CHARACTERISTICS

(For all values $V_{CC} = 0.85\text{ V}$ to 6.0 V , $T_A = 25^\circ\text{C}$, unless otherwise noted.) (Note 4)

Enable Voltage (High)	$V_{EN(HIGH)}$	–	–	2.2	V
Enable Voltage (Low)	$V_{EN(LOW)}$	1.1	–	–	V
Enable Hysteresis	V_{ENHYS}	–	75	–	mV
Enable Current	I_{EN}	–	275	–	nA
Enable Settling Time	$t_{EN(ON)}$	–	45	–	μs
Disable Settling Time	$t_{EN(OFF)}$	–	2.0	–	μs

4. The limits over the extended temperature range are guaranteed by design only.

NCS2200 Series

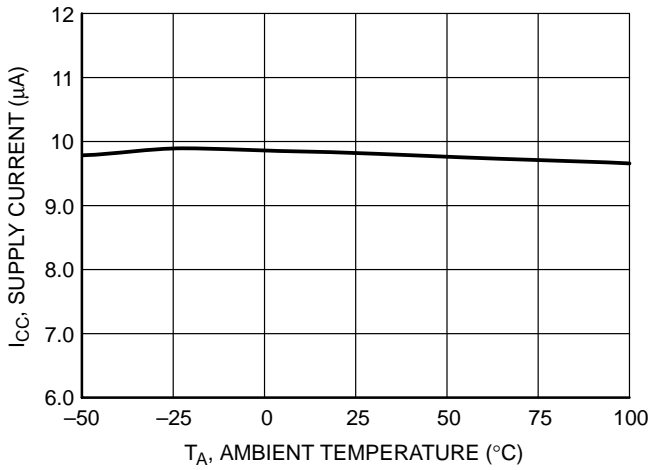


Figure 1. NCS2200 Series Supply Current vs. Temperature

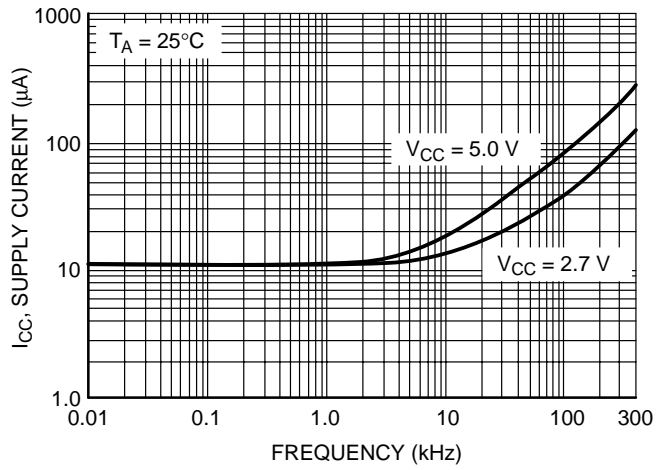


Figure 2. NCS2200 Series Supply Current vs. Output Transition Frequency

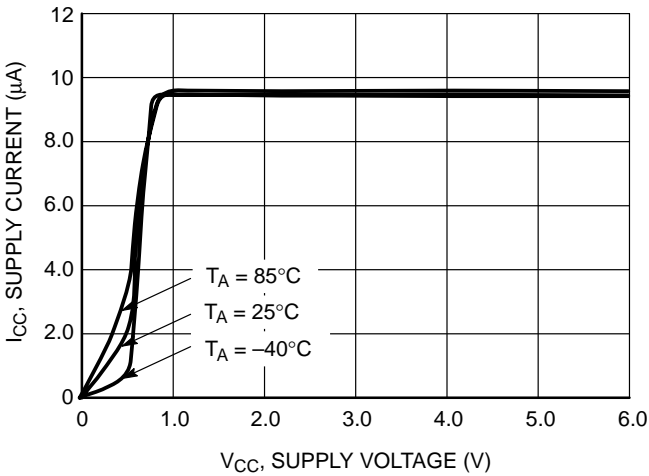


Figure 3. NCS2200 Series Supply Current vs. Supply Voltage

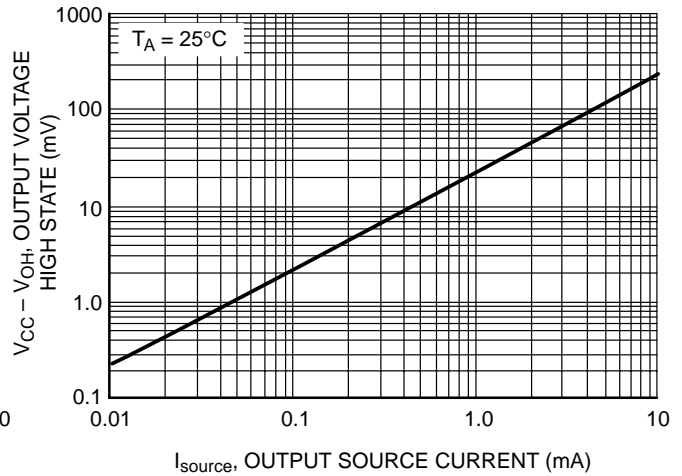


Figure 4. NCS2200/1 Output Voltage High State vs. Output Source Current

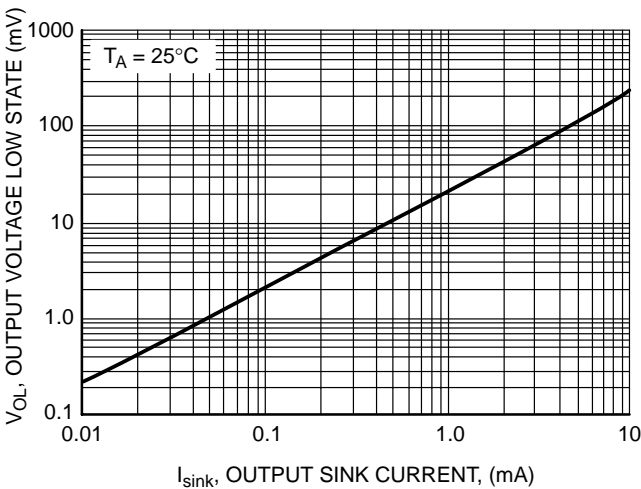


Figure 5. NCS2200 Series Output Voltage Low State vs. Output Sink Current

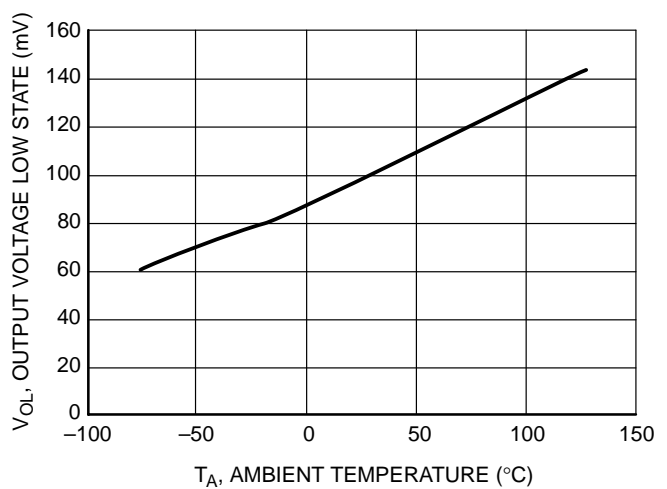


Figure 6. NCS2200 Series Output Voltage Low State vs. Temperature

NCS2200 Series

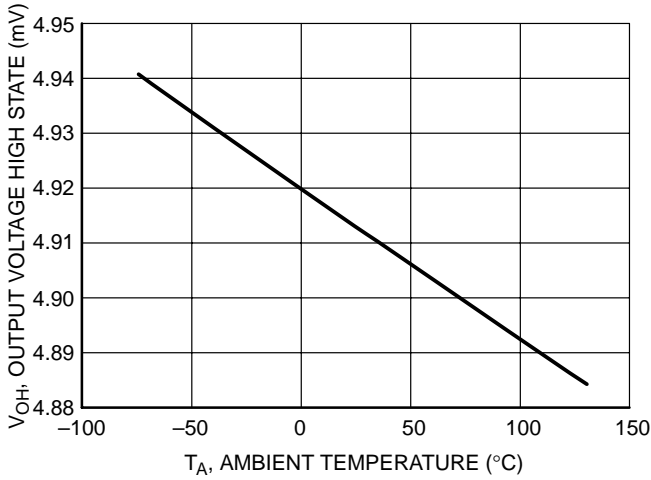


Figure 7. NCS2200 Series Output Voltage High State vs. Temperature

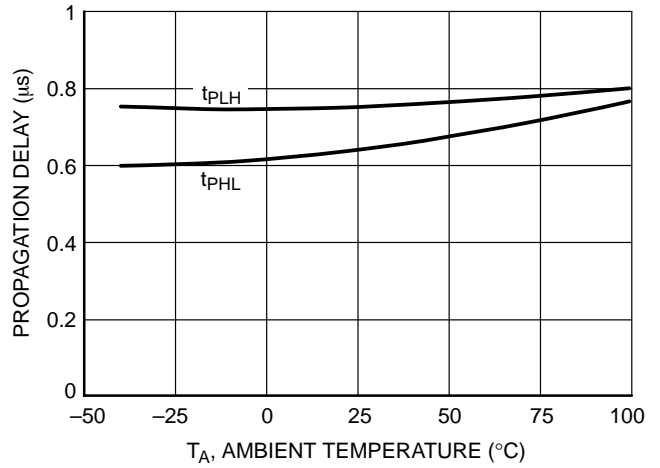


Figure 8. NCS2200 Series Propagation Delay vs. Temperature

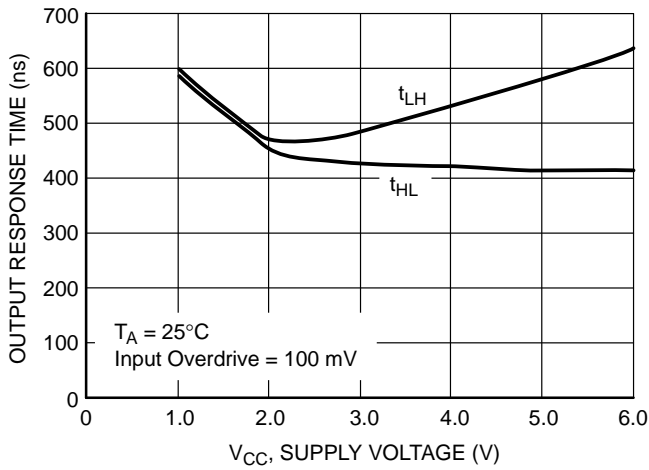


Figure 9. NCS2200 Series Output Response Time vs. Supply Voltage

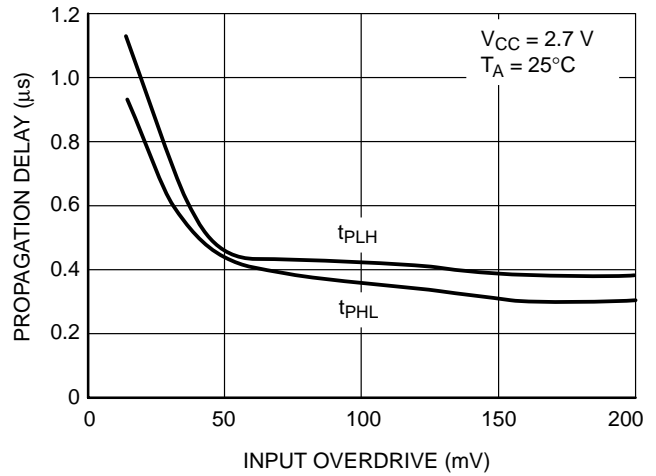


Figure 10. NCS2200 Series Propagation Delay vs. Input Overdrive

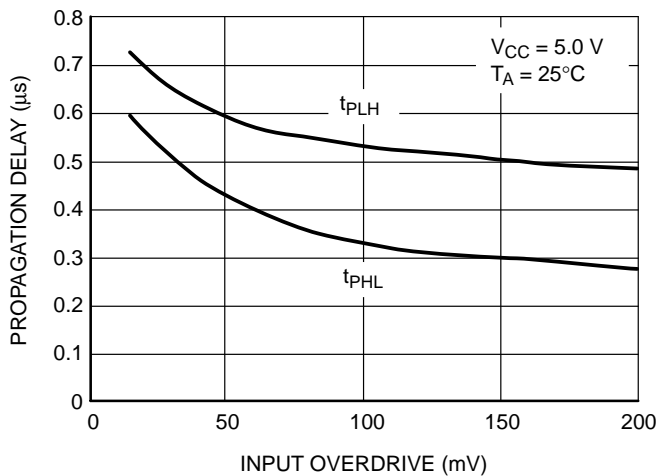


Figure 11. NCS2200 Series Propagation Delay vs. Input Overdrive

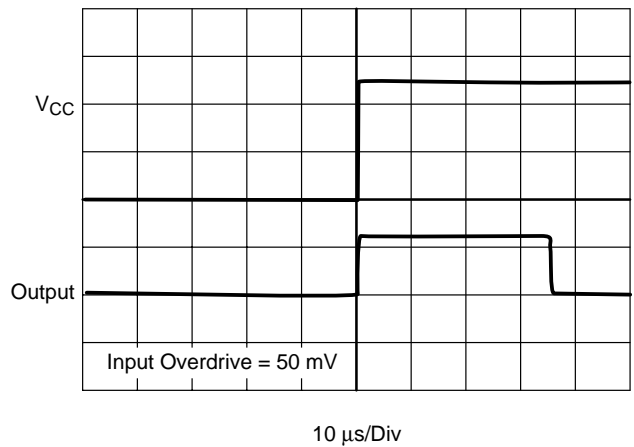


Figure 12. NCS2200 Series Power-Up Delay

NCS2200 Series

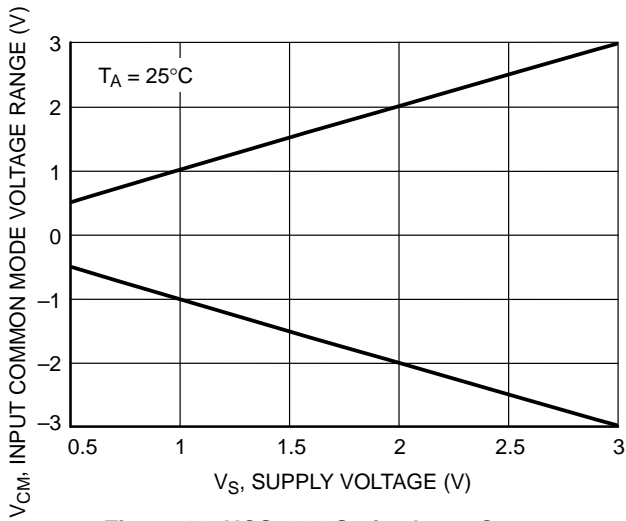


Figure 13. NCS2200 Series Input Common Mode Voltage Range vs. Supply Voltage

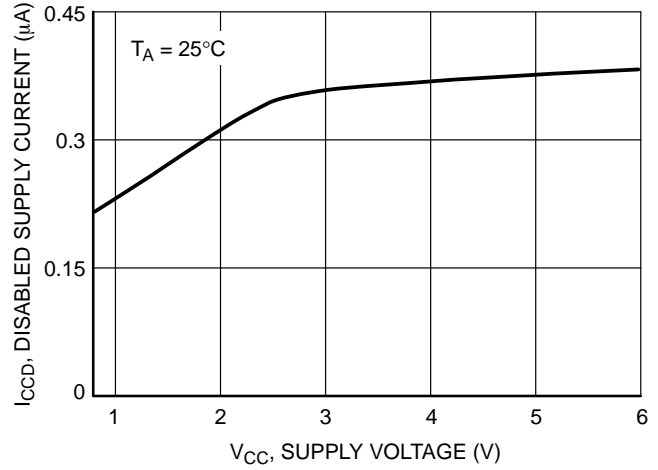


Figure 14. NCS2200 Series Disabled Supply Current

OPERATING DESCRIPTION

The NCS2200 Series is an industry first sub-one volt, low power comparators. These devices consume only 10 μA of supply current while achieving a typical propagation delay of 1.1 μs at 10 mV overdrive. They are guaranteed to operate at a low voltage of 0.85 V up to 6.0 V. This is accomplished by the use of a modified analog CMOS process which implements depletion MOSFET devices. The common-mode input voltage range extends 0.1 V above the upper and lower rail. They are available in SOT23-5 (compatible with the TSOP-5) and SOT23-6 packages. The SOT23-6 has the enable function which can be externally controlled. It allows for lower current consumption of 1.8 μA . This makes the devices suitable for implementation in power sensitive applications such as portable electronics. When the enable pin is at a low level, the output will remain at a high or low level. The output will not respond to any changes at the input pins.

Conversely, when the enable pin is at a high level, the output will respond to change at the input pins. The enable pin should be connected to VCC when not in use. In addition, with the added feature of internal hysteresis, this allows for greater noise immunity and clean output switching.

Output Stage

The NCS2200/1 has a complementary output which drives rail-to-rail output swing. The NCS2202/3 has an open drain N-channel output that can be pulled up to 6.0 V (max) with an external pull-up resistor. This allows for mixed-voltage system applications. These devices can operate up to an 7.0 mA load. The output stage is designed so that shoot through current is minimized while switching. This enhancement eliminates the need for bypass capacitors. There is no output phase reversal when switching in or out of tri-state mode.

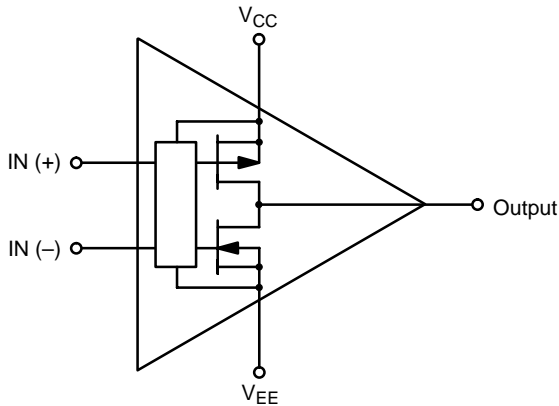


Figure 15. NCS230xSNxT1 Complementary Output Configuration

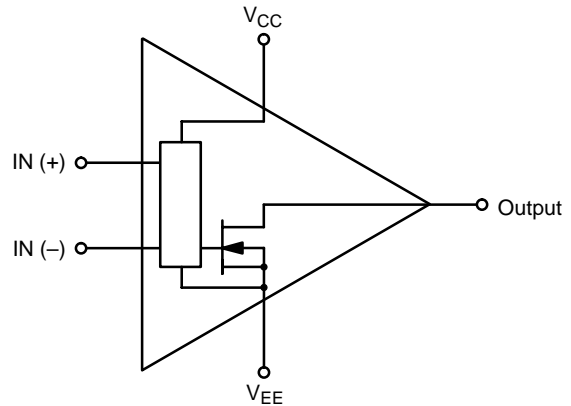
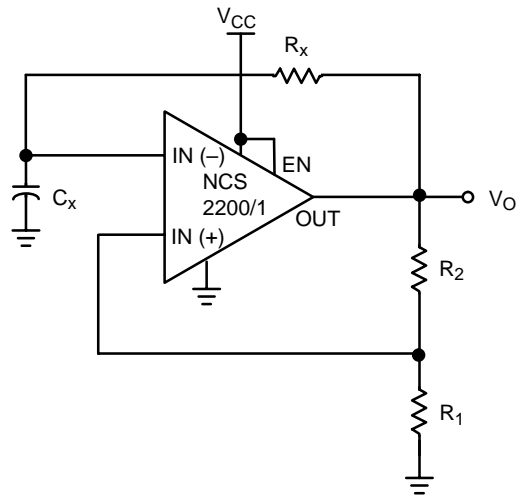


Figure 16. NCS230xSNxT1 Open Drain Output Configuration

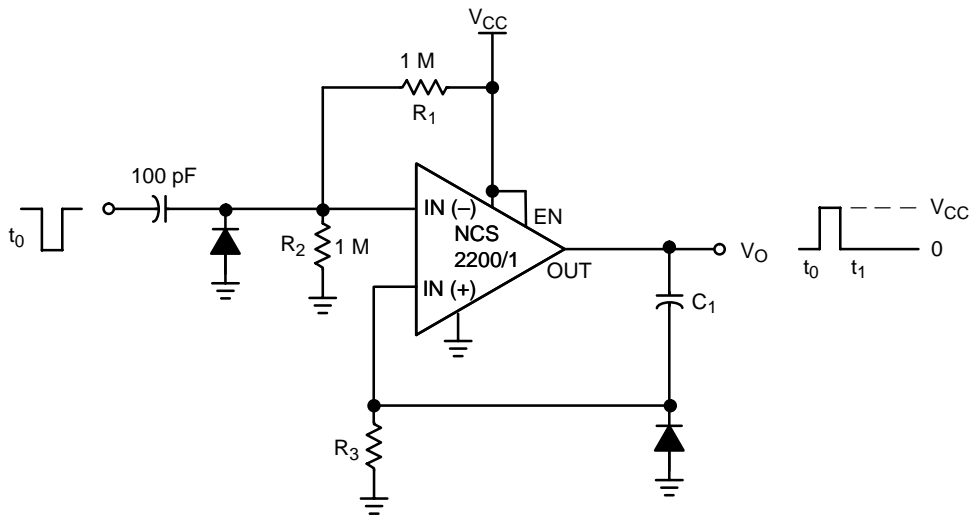
NCS2200 Series



The oscillation frequency can be programmed as follows:

$$f = \frac{1}{T} = \frac{1}{2.2 R_x C_x}$$

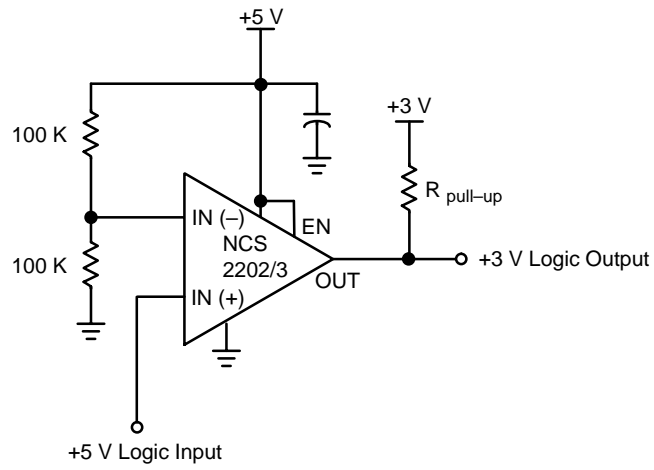
Figure 17. Schmitt Trigger Oscillator



The resistor divider R_1 and R_2 can be used to set the magnitude of the input pulse. The pulse width is set by adjusting C_1 and R_3 .

Figure 18. One-Shot Multivibrator

NCS2200 Series



This circuit converts 5 V logic to 3 V logic. Using the NCS2202/3 allows for full 5 V logic swing without creating overvoltage on the 3 V logic input.

Figure 19. Logic Level Translator

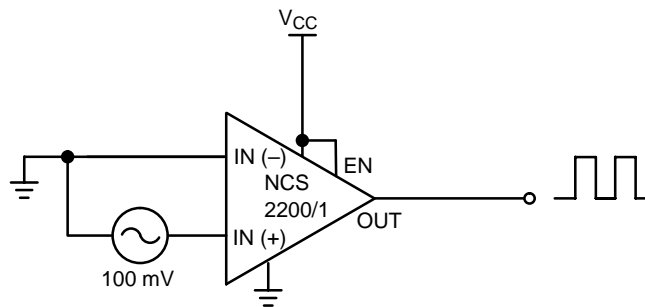


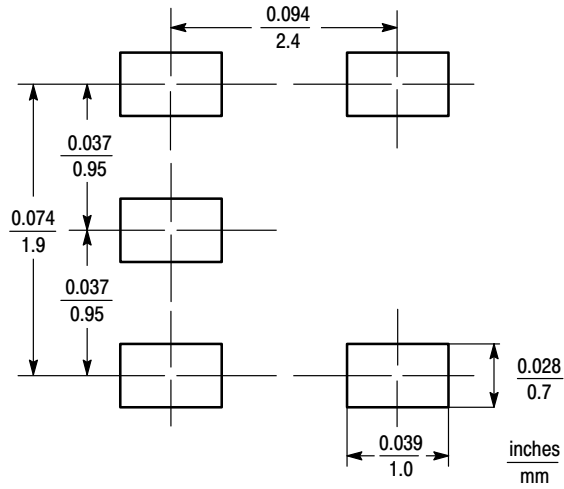
Figure 20. Zero-Crossing Detector

NCS2200 Series

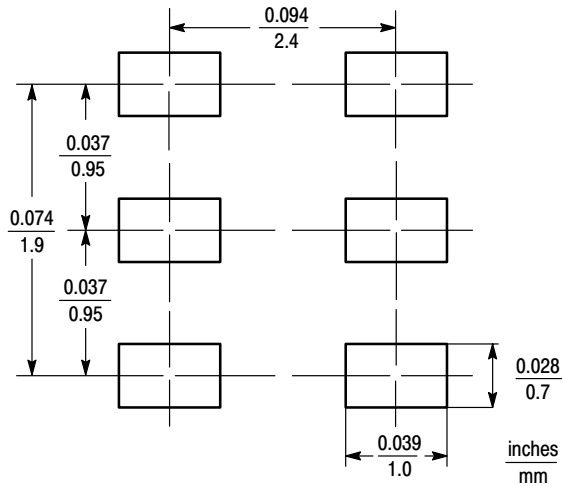
MINIMUM RECOMMENDED FOOTPRINT FOR SURFACE MOUNTED APPLICATIONS

Surface mount board layout is a critical portion of the total design. The footprint for the semiconductor packages must be the correct size to insure proper solder connection

interface between the board and the package. With the correct pad geometry, the packages will self align when subjected to a solder reflow process.



SOT23-5



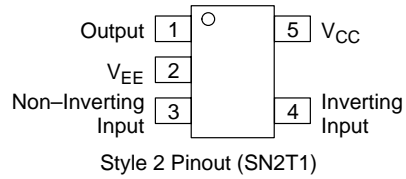
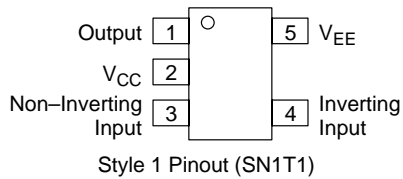
SOT23-6

NCS2200 Series

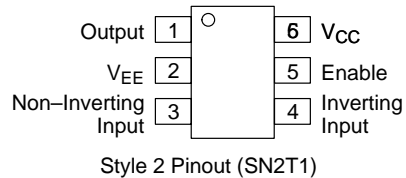
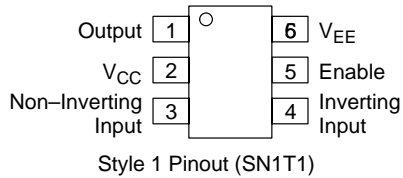
ORDERING INFORMATION

Device	Pinout Style	Output Type	Package	Shipping
NCS2200SN1T1	1	Complementary	SOT23-5	3000 Tape & Reel
NCS2200SN2T1	2	Complementary	SOT23-5	
NCS2201SN1T1	1	Complementary, Enable	SOT23-6	
NCS2201SN2T1	2	Complementary, Enable	SOT23-6	
NCS2202SN1T1	1	Open Drain	SOT23-5	
NCS2202SN2T1	2	Open Drain	SOT23-5	
NCS2203SN1T1	1	Open Drain, Enable	SOT23-6	
NCS2203SN2T1	2	Open Drain, Enable	SOT23-6	

PIN CONNECTIONS



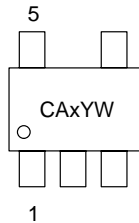
SOT23-5 (NCS2200, NCS2202)



SOT23-6 (NCS2201, NCS2203)

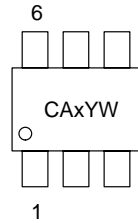
MARKING DIAGRAMS

SOT23-5 SN SUFFIX CASE 483



x = I for NCS2200SN1T1
 J for NCS2200SN2T1
 M for NCS2202SN1T1
 N for NCS2202SN2T1
 Y = Year
 W = Work Week

SOT23-6 SN SUFFIX CASE 318G

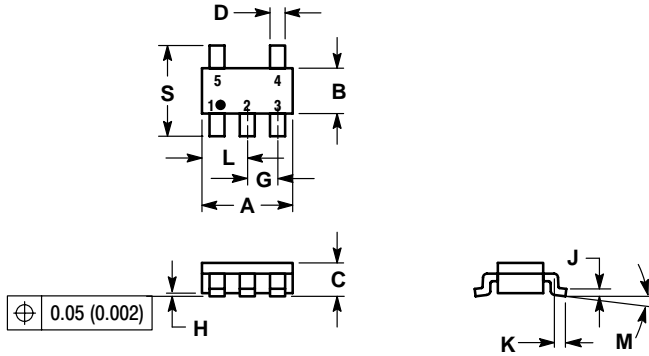


x = K for NCS2201SN1T1
 L for NCS2201SN2T1
 O for NCS2203SN1T1
 P for NCS2203SN2T1
 Y = Year
 W = Work Week

NCS2200 Series

PACKAGE DIMENSIONS

SOT23-5
(TSOP-5, SC59-5)
SN SUFFIX
 PLASTIC PACKAGE
 CASE 483-01
 ISSUE B

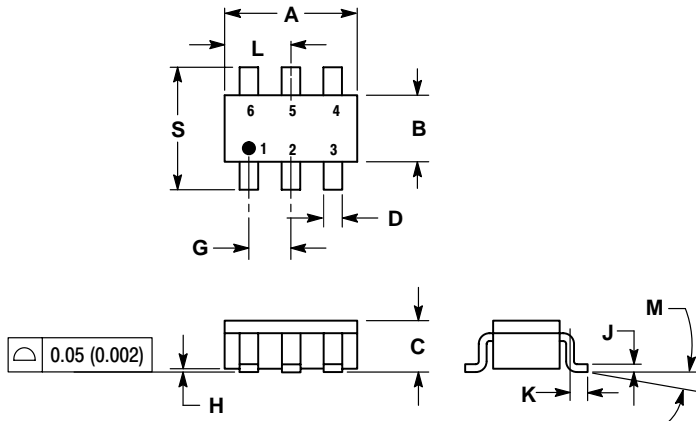


NOTES:

1. DIMENSIONING AND TOLERANCING PER ANSI Y14.5M, 1982.
2. CONTROLLING DIMENSION: MILLIMETER.
3. MAXIMUM LEAD THICKNESS INCLUDES LEAD FINISH THICKNESS. MINIMUM LEAD THICKNESS IS THE MINIMUM THICKNESS OF BASE MATERIAL.

DIM	MILLIMETERS		INCHES	
	MIN	MAX	MIN	MAX
A	2.90	3.10	0.1142	0.1220
B	1.30	1.70	0.0512	0.0669
C	0.90	1.10	0.0354	0.0433
D	0.25	0.50	0.0098	0.0197
G	0.85	1.05	0.0335	0.0413
H	0.013	0.100	0.0005	0.0040
J	0.10	0.26	0.0040	0.0102
K	0.20	0.60	0.0079	0.0236
L	1.25	1.55	0.0493	0.0610
M	0°	10°	0°	10°
S	2.50	3.00	0.0985	0.1181

SOT23-6
(TSOP-6, SC59-6)
SN SUFFIX
 PLASTIC PACKAGE
 CASE 318G-02
 ISSUE H




NOTES:

1. DIMENSIONING AND TOLERANCING PER ANSI Y14.5M, 1982.
2. CONTROLLING DIMENSION: MILLIMETER.
3. MAXIMUM LEAD THICKNESS INCLUDES LEAD FINISH THICKNESS. MINIMUM LEAD THICKNESS IS THE MINIMUM THICKNESS OF BASE MATERIAL.

DIM	MILLIMETERS		INCHES	
	MIN	MAX	MIN	MAX
A	2.90	3.10	0.1142	0.1220
B	1.30	1.70	0.0512	0.0669
C	0.90	1.10	0.0354	0.0433
D	0.25	0.50	0.0098	0.0197
G	0.85	1.05	0.0335	0.0413
H	0.013	0.100	0.0005	0.0040
J	0.10	0.26	0.0040	0.0102
K	0.20	0.60	0.0079	0.0236
L	1.25	1.55	0.0493	0.0610
M	0°	10°	0°	10°
S	2.50	3.00	0.0985	0.1181

NCS2200 Series

ON Semiconductor and  are trademarks of Semiconductor Components Industries, LLC (SCILLC). SCILLC reserves the right to make changes without further notice to any products herein. SCILLC makes no warranty, representation or guarantee regarding the suitability of its products for any particular purpose, nor does SCILLC assume any liability arising out of the application or use of any product or circuit, and specifically disclaims any and all liability, including without limitation special, consequential or incidental damages. "Typical" parameters which may be provided in SCILLC data sheets and/or specifications can and do vary in different applications and actual performance may vary over time. All operating parameters, including "Typicals" must be validated for each customer application by customer's technical experts. SCILLC does not convey any license under its patent rights nor the rights of others. SCILLC products are not designed, intended, or authorized for use as components in systems intended for surgical implant into the body, or other applications intended to support or sustain life, or for any other application in which the failure of the SCILLC product could create a situation where personal injury or death may occur. Should Buyer purchase or use SCILLC products for any such unintended or unauthorized application, Buyer shall indemnify and hold SCILLC and its officers, employees, subsidiaries, affiliates, and distributors harmless against all claims, costs, damages, and expenses, and reasonable attorney fees arising out of, directly or indirectly, any claim of personal injury or death associated with such unintended or unauthorized use, even if such claim alleges that SCILLC was negligent regarding the design or manufacture of the part. SCILLC is an Equal Opportunity/Affirmative Action Employer.

PUBLICATION ORDERING INFORMATION

Literature Fulfillment:

Literature Distribution Center for ON Semiconductor
P.O. Box 5163, Denver, Colorado 80217 USA
Phone: 303-675-2175 or 800-344-3860 Toll Free USA/Canada
Fax: 303-675-2176 or 800-344-3867 Toll Free USA/Canada
Email: ONlit@hibbertco.com

N. American Technical Support: 800-282-9855 Toll Free USA/Canada

JAPAN: ON Semiconductor, Japan Customer Focus Center
4-32-1 Nishi-Gotanda, Shinagawa-ku, Tokyo, Japan 141-0031
Phone: 81-3-5740-2700
Email: r14525@onsemi.com

ON Semiconductor Website: <http://onsemi.com>

For additional information, please contact your local Sales Representative.