

## ASSP

# 1 CHANNEL 10-BIT D/A CONVERTER

## MB40730

MB40730 is a low-power consumption, high-speed 10-bit D/A converter.

The MB40730 is characterized by ECL (10 kH) compatible digital inputs, an analog output voltage from -2 to 0 V, and a maximum conversion rate of 60 MHz. It provides a reference voltage from a potential divider and band-gap reference, and can also use an external reference voltage.

The MB40730 D/A converter is suitable for high-resolution TVs or VTRs.

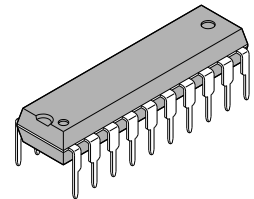
- Resolution: 10 bits
- Conversion characteristics:
  - Maximum conversion rate: 60 MHz (Minimum)
  - Linearity error:  $\pm 0.1\%$  (Maximum)
  - Differential linearity error:  $\pm 0.1\%$  (Maximum)
- Input and output:
  - Digital input voltage: ECL (10 kH) levels
  - Analog output voltage: 2 Vp-p (-2 V to 0 V)
- Reference voltage:
  - V<sub>ROUT1</sub>: Potential divider circuit ( $V_{EEA} \times 2/5.2$ )
  - V<sub>ROUT2</sub>: Band-gap reference circuit (-2 V)
- Others:
  - Supply voltage: -5.2 V single power supply
  - Power dissipation: 180 mW (Typical value at analog output voltage 2 Vp-p)
  - 140 mW (Typical value at analog output voltage 1 Vp-p)

**ABSOLUTE MAXIMUM RATINGS (See NOTE)**

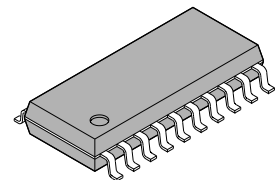
(V<sub>CCA</sub>=V<sub>CCD</sub>=0 V, T<sub>a</sub>=+25°C)

Parameter	Symbol	Value	Unit
Analog power supply voltage	V <sub>EEA</sub>	-7.0 to 0	V
Digital power supply voltage	V <sub>EED</sub>	-7.0 to 0	V
Power supply voltage difference	V <sub>EED</sub> -V <sub>EEA</sub>	1.0	V
Digital signal input voltage	V <sub>ID</sub>	0 to V <sub>EE</sub>	V
Storage Temperature	T <sub>stg</sub>	-55 to +125	°C

**NOTE:** Permanent device damage may occur if the above **Absolute Maximum Rating** are exceeded. Functional operation should be restricted to the conditions as detailed in the operational sections of this data sheet. Exposure to absolute maximum rating conditions for extended periods may affect device reliability.

**20-PIN PLASTIC DIP**

(DIP-20P-M01)

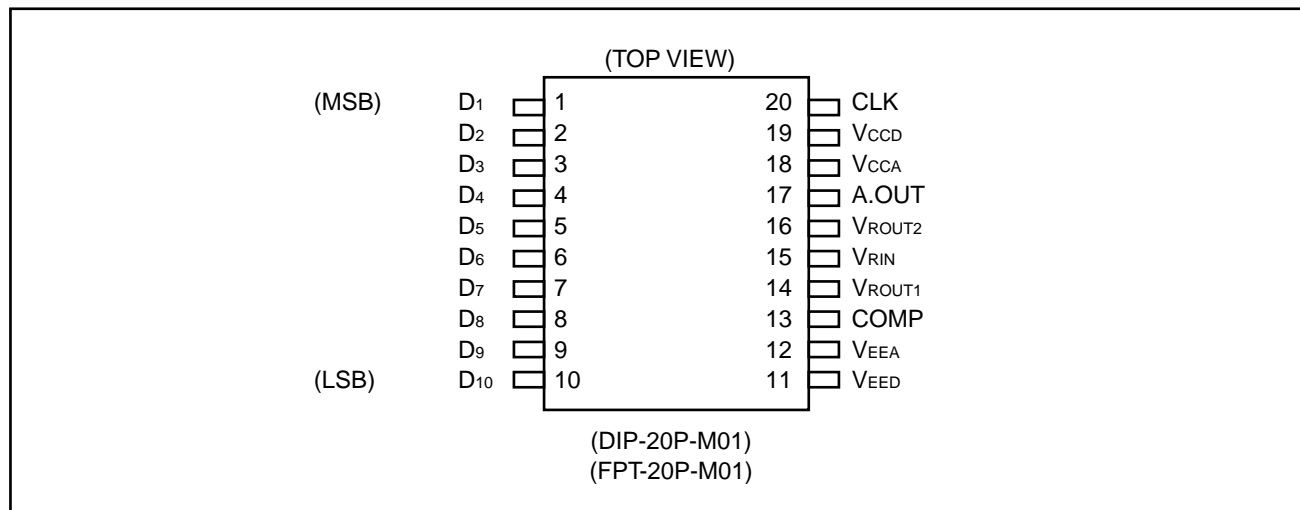
**20-PIN PLASTIC SOP**

(FPT-20P-M01)

This device contains circuitry to protect the inputs against damage due to high static voltages or electric fields. However, it is advised that normal precautions be taken to avoid application of any voltage higher than maximum rated voltages to this high impedance circuit.

# MB40730

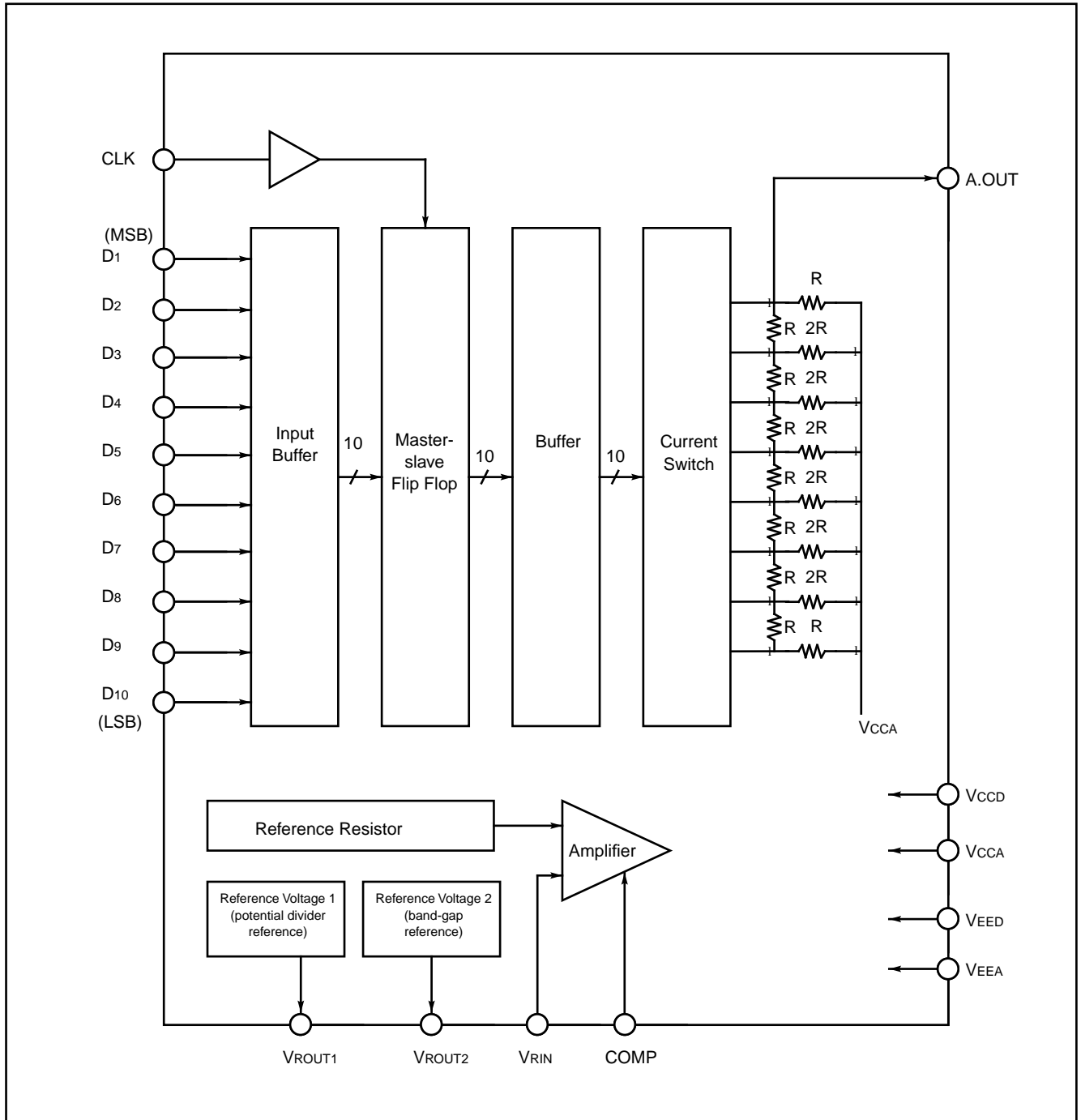
## ■ PIN ASSIGNMENT



## ■ PIN DESCRIPTIONS

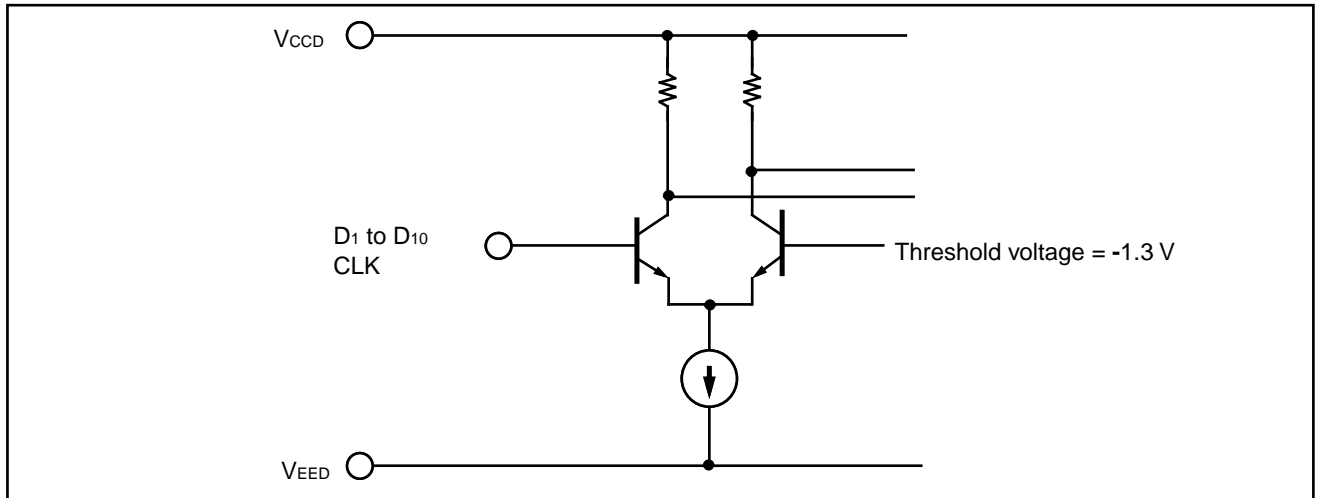
Pin No.	Symbol	I/O	Description
1 to 10	D1 to D10	I	Data signal input pin (D1: MSB, D10: LSB)
20	CLK	I	Clock signal input pin
19	VCCD	-	Digital ground pin (0 V)
18	VCCA	-	Analog ground pin (0 V)
11	VEED	-	Digital power pin (-5.2 V)
12	VEEA	-	Analog ground pin (-5.2 V)
15	VRIN	I	Reference voltage input pin Analog output dynamic range setup pin Connect to pin 14 or 16 to use the built-in reference voltage When using an external reference voltage, the voltage on this pin must be from -2.20 V to -0.70 V
14	VROUT1	O	Reference voltage output pin 1 The output voltage of the potential divider reference is fixed at $V_{EEA} \cdot 2/5.2$ . When this pin is connected to pin 15, the analog output voltage ranges from $V_{EEA} \cdot 2/5.2$ to 0 V
16	VROUT2	O	Reference voltage output pin 2 The output voltage of the band-gap reference is fixed at -2.0 V. When the pin is connected to pin 15, the analog output voltage ranges from -2 V to 0 V
13	COMP	-	Phase compensation capacitor pin Insert a capacitor of 0.1 $\mu$ F or greater between VEEA and COMP for phase compensation
17	A. OUT	O	Analog signal output pin

■ BLOCK DIAGRAM

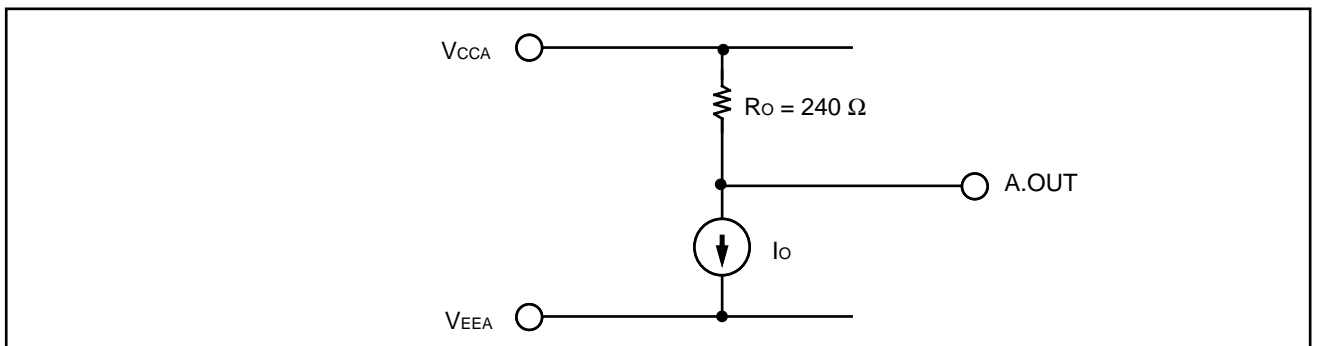


## MB40730

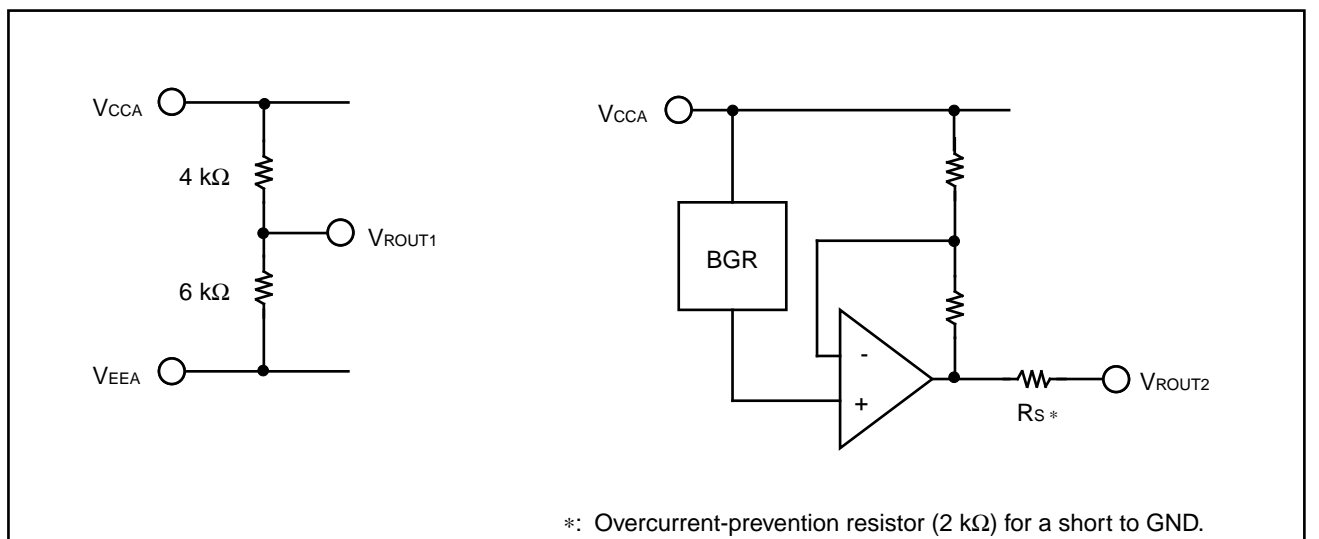
## ■ DIGITAL INPUT EQUIVALENT CIRCUIT



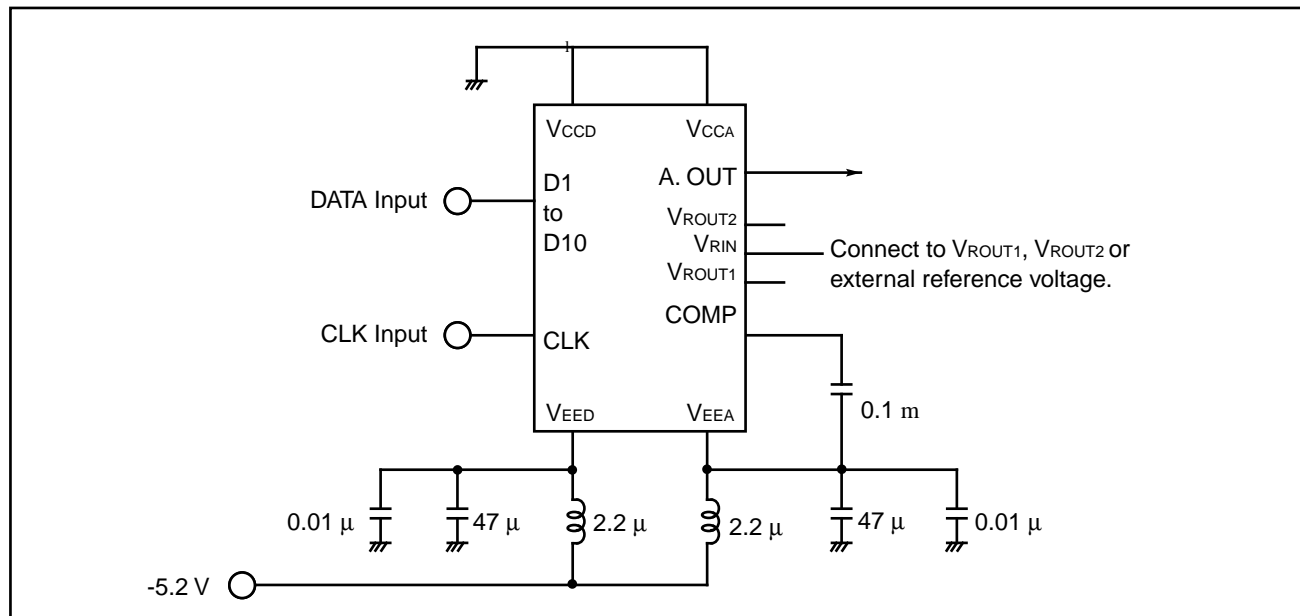
## ■ ANALOG OUTPUT EQUIVALENT CIRCUIT



## ■ REFERENCE VOLTAGE OUTPUT EQUIVALENT CIRCUIT



## ■ TYPICAL CONNECTION EXAMPLE



## ■ RECOMMENDED OPERATING CONDITIONS

(VCCA=VCCD=0 V, Ta=-20°C to +75°C)

Parameter		Symbol	Standard value			Unit
			Min.	Typ.	Max.	
Power supply voltage	Analog power supply voltage	VEEA	-5.46	-5.20	-4.94	V
	Digital power supply voltage	VEED	-5.46	-5.20	-4.94	V
	Power supply voltage difference	VEEA-VEED	-0.2	-	0.2	V
Analog reference voltage		VRIN	-2.20	-2.00	-0.70	V
Digital input high voltage	VIHD	-20°C	-	-	-0.88	V
		25°C	-1.13	-	-0.81	V
		75°C	-	-	-0.735	V
Digital input low voltage	VILD	-20°C	-1.95	-	-	V
		25°C	-1.95	-	-1.48	V
		75°C	-1.95	-	-	V
Clock frequency		fCLK	-	-	60	MHz
Setup time		tsu	8	-	-	ns
Hold time		th	2	-	-	ns
Clock minimum pulse width high		twH	6.5	-	-	ns
Clock minimum pulse width low		twL	6.5	-	-	ns
Phase compensation capacitor		C <sub>COMP</sub>	0.1	-	-	μF
Operating temperature		T <sub>op</sub>	-20	-	75	°C

## MB40730

## ■ DC CHARACTERISTICS

(V<sub>EEA</sub>=V<sub>VEED</sub>=-5.46 to -4.94 V, T<sub>a</sub>=-20°C to +75°C)

Parameter	Symbol	Condition	Standard values			Unit	
			Min.	Typ.	Max.		
Resolution	-	-	-	-	10	bit	
Linearity error	LE	DC accuracy	-	-	±0.1	%	
Differential linearity error	DLE		-	-	±0.1	%	
Digital input current high	I <sub>IHD</sub>	-	-	-	5	μA	
Digital input current low	I <sub>ILD</sub>	-	-0.1	-	-	μA	
Reference input current	I <sub>RIN</sub>	V <sub>RIN</sub> =-2.000V	-	-	10	μA	
Potential divider reference	Reference voltage	V <sub>ROUT1</sub>	V <sub>EEA</sub> = -5.20 V V <sub>VEED</sub> = -5.20 V	-2.100	-2.000	-1.900	V
	Reference voltage	V <sub>ROUT2</sub>	-	-2.100	-2.000	-1.900	V
Band-gap reference	Temperature coefficient	-	-	100	-	ppm/°C	
	Reference voltage	-	-	-	-	-	-
Full-scale output voltage	V <sub>OFS</sub>	-	-20	0	-	mV	
Zero-scale output voltage	V <sub>OZS</sub>	V <sub>EEA</sub> = -5.20 V V <sub>VEED</sub> = -5.20 V V <sub>RIN</sub> = -2.000 V	-2.068	-1.998	-1.928	V	
Output resistance	R <sub>O</sub>	T <sub>a</sub> =+25°C	192	240	288	Ω	
Power dissipation	I <sub>EE</sub>	V <sub>EEA</sub> = -5.46 V V <sub>VEED</sub> = -5.46 V V <sub>RIN</sub> = V <sub>ROUT1</sub>	-59	-34*	-	mA	

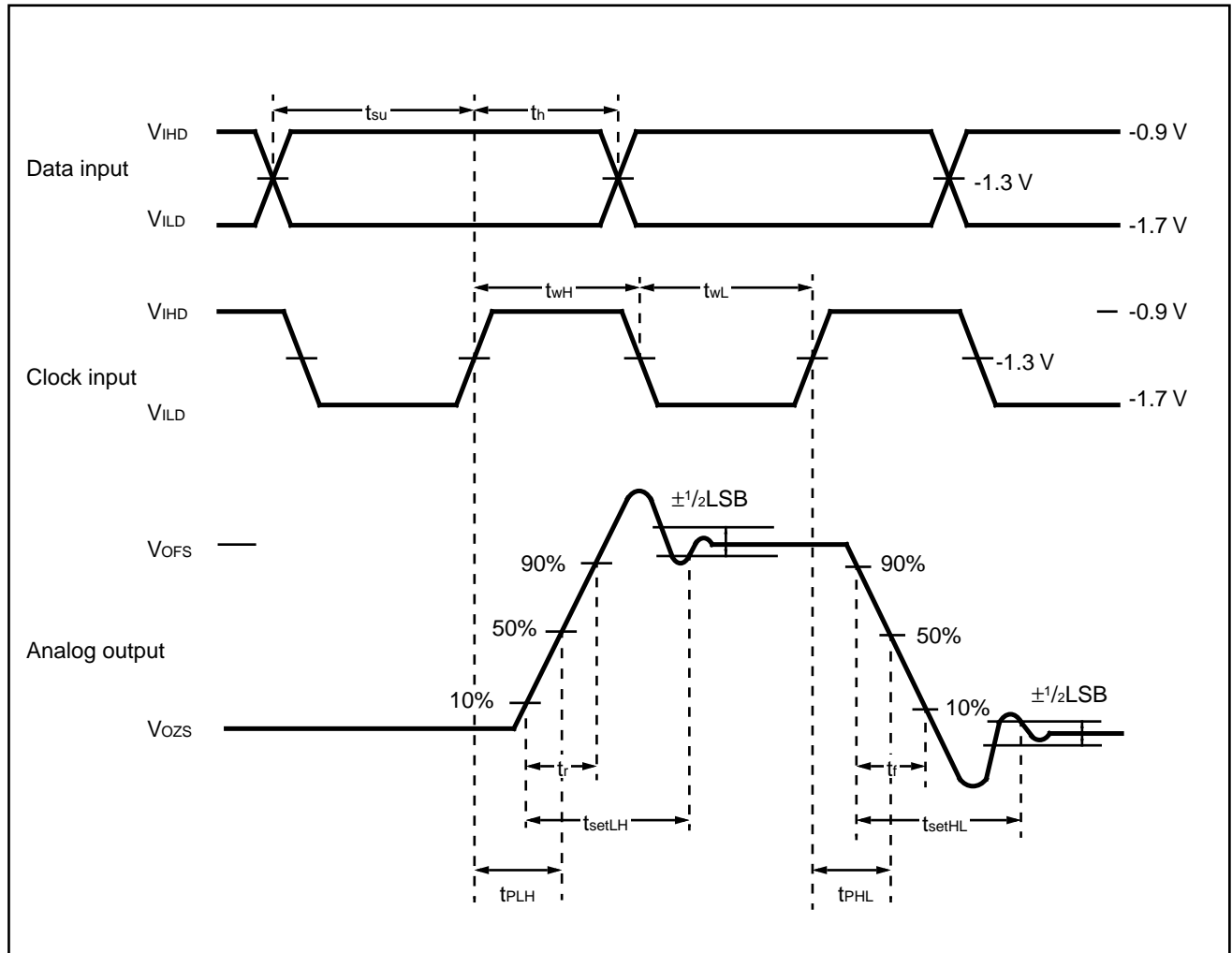
\* : V<sub>EEA</sub> = V<sub>VEED</sub> = -5.20 V

## ■ AC CHARACTERISTICS

(V<sub>EEA</sub>= V<sub>VEED</sub>=-5.46 to -4.94 V, T<sub>a</sub>=-20°C to +75°C)

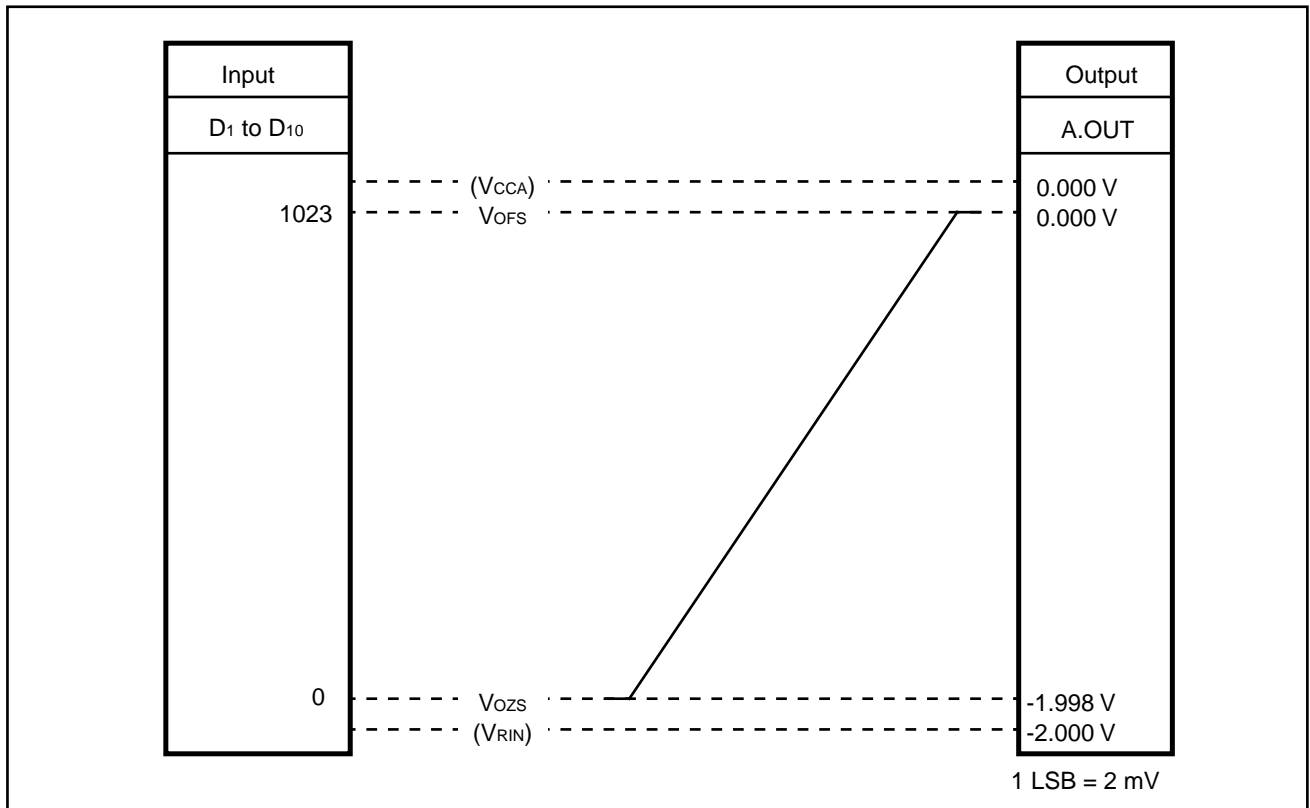
Parameter	Symbol	Conditions	Standard values			Unit
			Min.	Typ.	Max.	
Maximum conversion rate	F <sub>S</sub>	CL = 15 pF A.OUT pin terminating resistance = 240 Ω	60	-	-	MSPS
Output propagation delay time	t <sub>pd</sub>		-	7	-	ns
Output rise time	t <sub>r</sub>		-	5	-	ns
Output fall time	t <sub>f</sub>		-	5	-	ns
Settling time	t <sub>set</sub>		-	17.5	-	ns

## ■ TIMING CHART



# MB40730

## ■ DAC OUTPUT VOLTAGE CHARACTERISTICS



## ■ DAC OUTPUT VOLTAGE FORMULA IN IDEAL CONDITIONS

$$A.OUT = V_{CCA} - \frac{1023 - N}{1024} \times (V_{CCA} - V_{RIN})$$

(N : Digital input code from 0 to 1023)

$$V_{OFS} = V_{CCA}$$

$$V_{OZS} = V_{CCA} - \frac{1023}{1024} \times (V_{CCA} - V_{RIN})$$

## NOTES

### 1. Preventing Switching Noise

To prevent switching noise in the analog output signal, connect noise limiting capacitors to the  $V_{EEA}$  and  $V_{EED}$  pins as close to the  $V_{CCA}$  and  $V_{CCD}$  pins as possible.

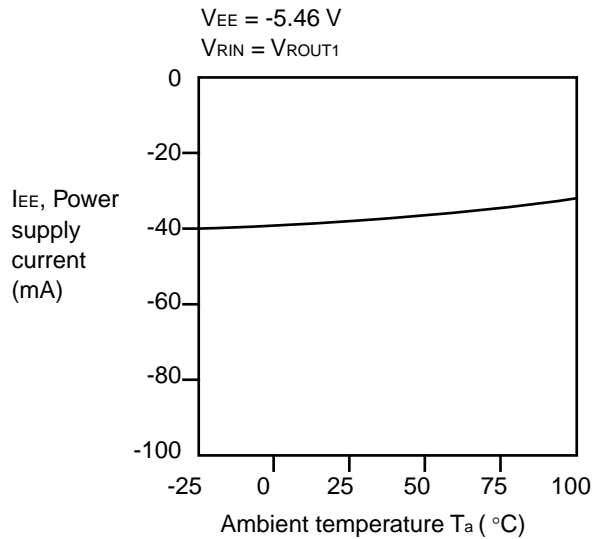
### 2. Power Pattern

To reduce parasitic impedance, the PC board pattern to the  $V_{CCA}$ ,  $V_{CCD}$ ,  $V_{EEA}$  and  $V_{EED}$  pins should be as wide as possible.

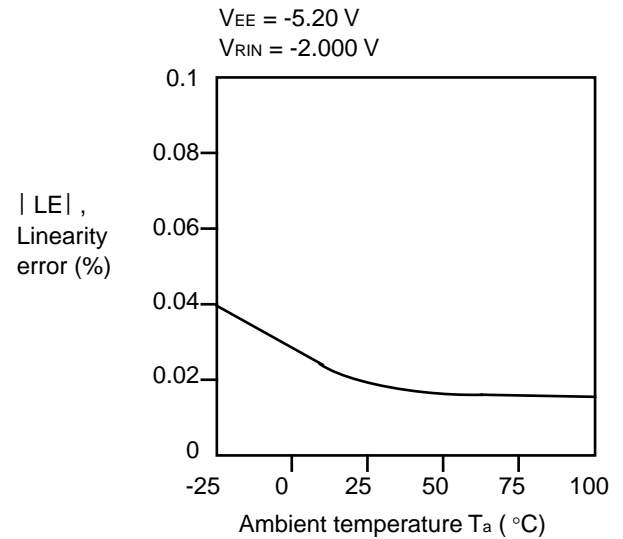


## ■ TYPICAL CHARACTERISTICS CURVES

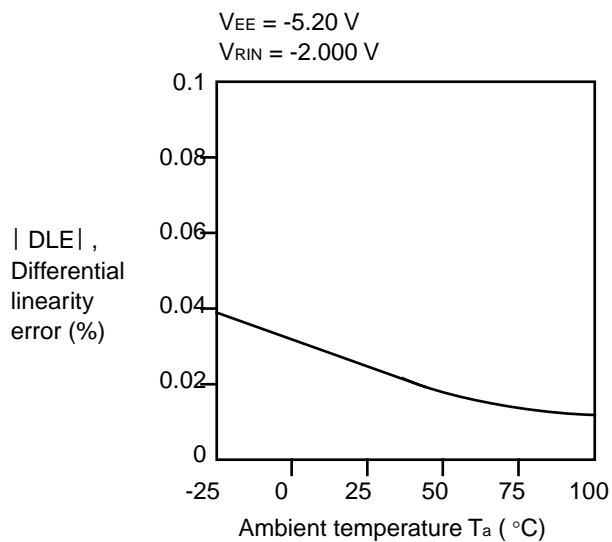
### 1. Power Supply Current v.s. Ambient Temperature



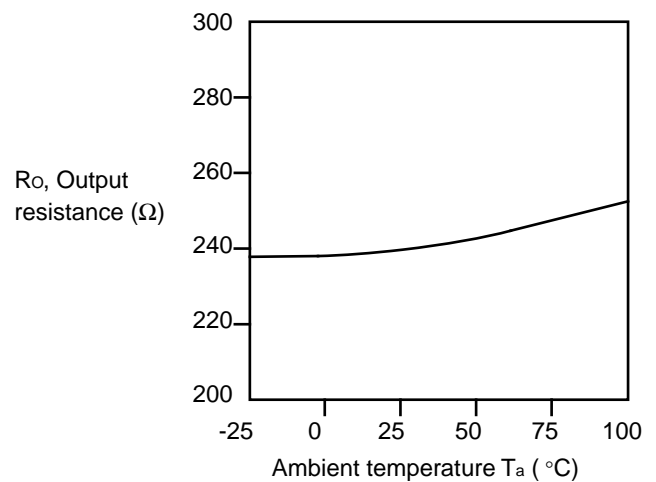
### 2. Linearity Error v.s. Ambient Temperature



### 3. Differential Linearity Error v.s. Ambient Temperature

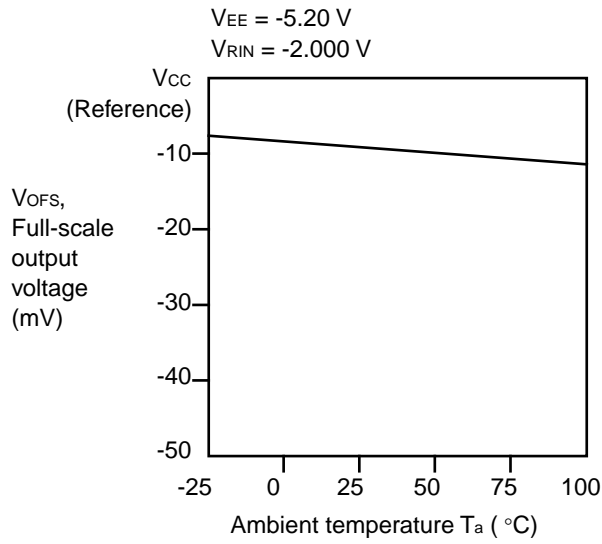


### 4. Output Resistance v.s. Ambient Temperature

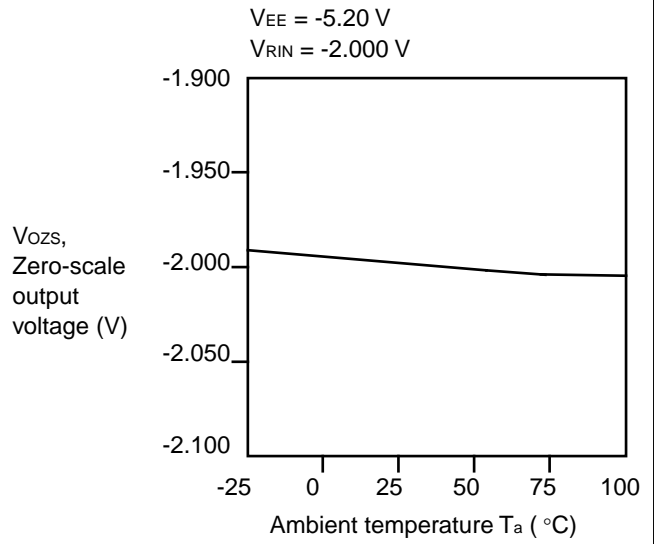


# MB40730

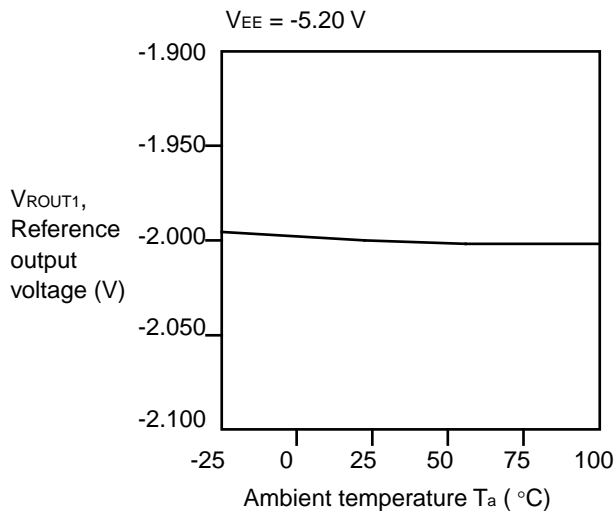
## 5. Full-Scale Output Voltage v.s. Ambient Temperature



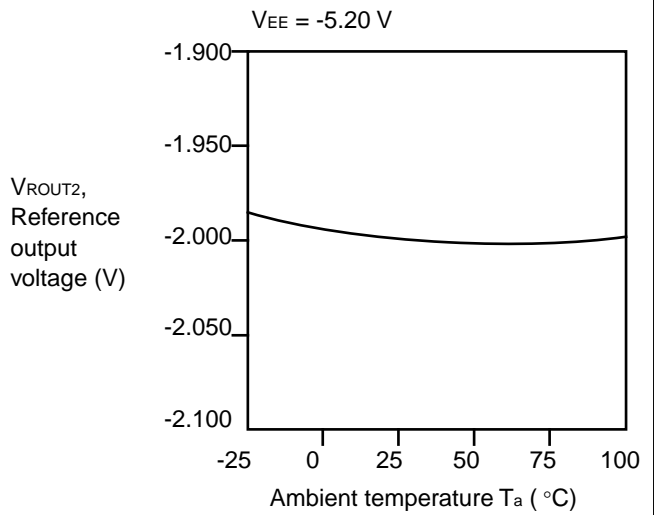
## 6. Zero-Scale Output Voltage v.s. Ambient Temperature



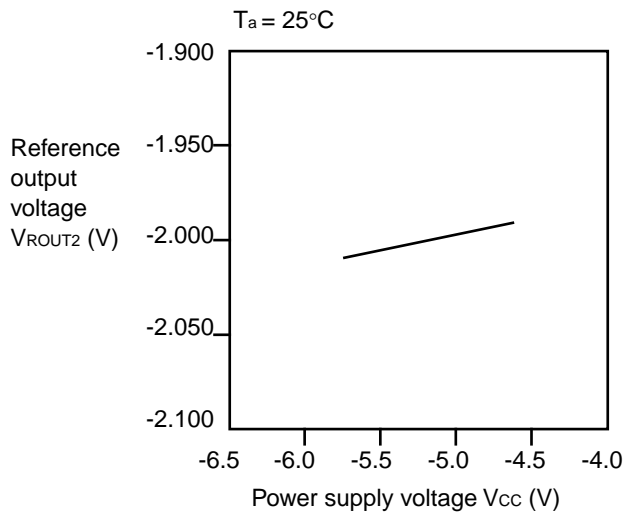
## 7. $V_{ROUT1}$ Reference Output Voltage v.s. Ambient Temperature



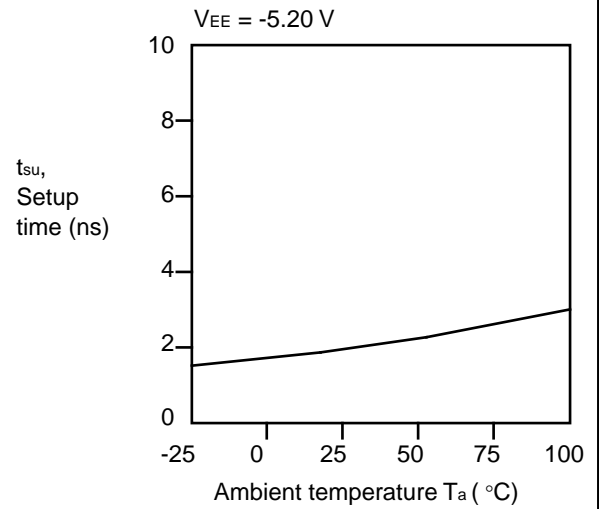
## 8. $V_{ROUT2}$ Reference Output Voltage v.s. Ambient Temperature



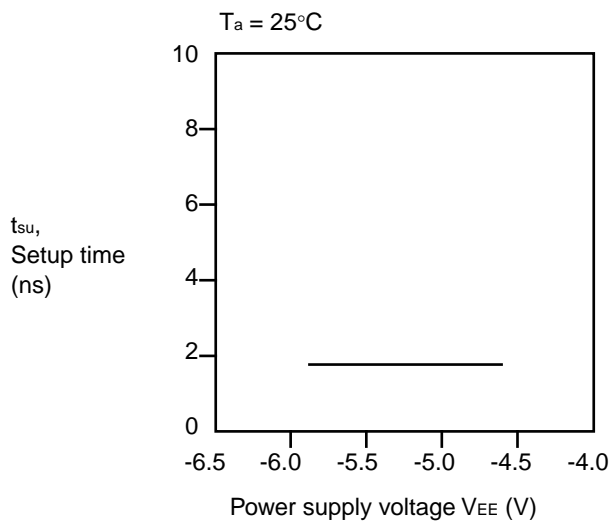
### 9. $V_{ROUT2}$ Reference Output Voltage v.s. Power Supply Voltage



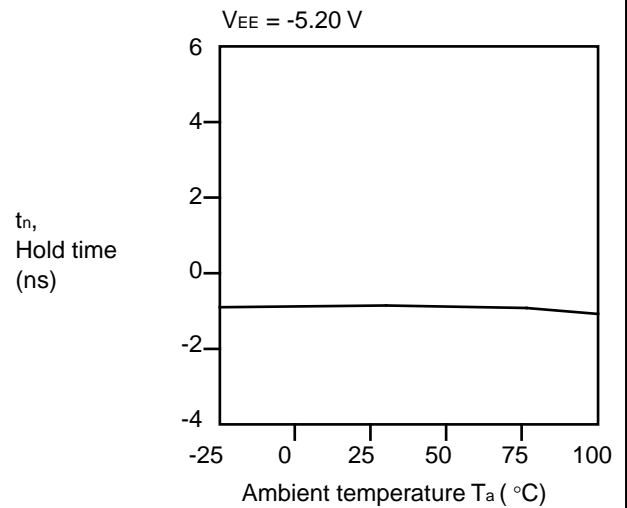
### 10. Setup Time v.s. Ambient Temperature



### 11. Setup Time v.s. Power Supply Voltage

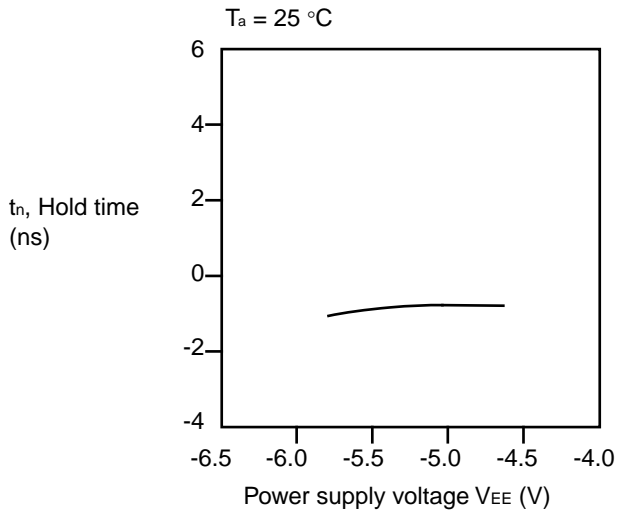


### 12. Hold Time v.s. Ambient Temperature

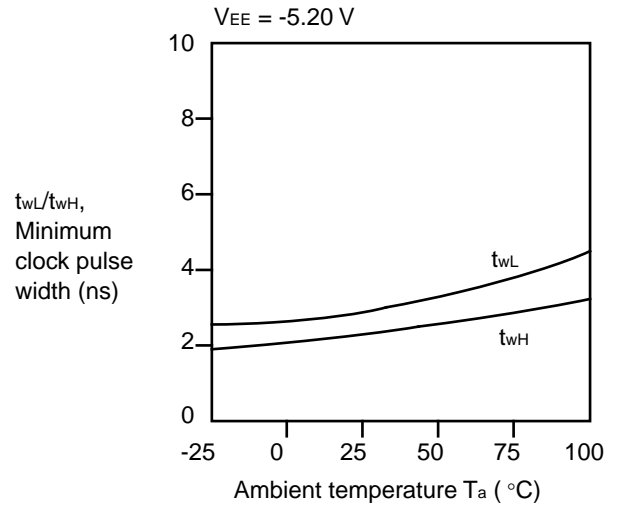


# MB40730

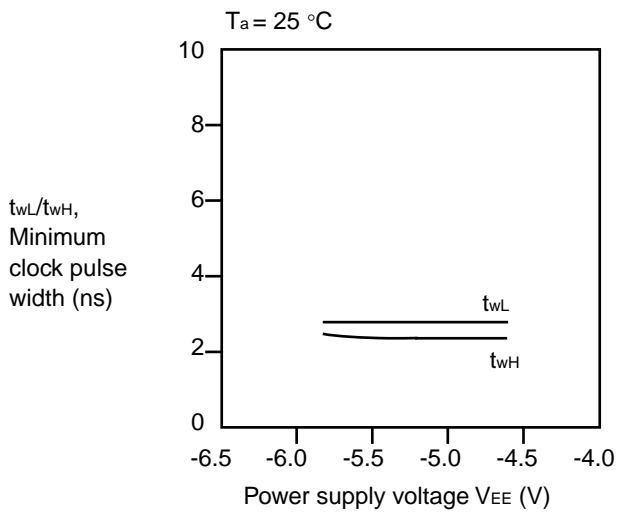
**13. Hold Time v.s. Power Supply Voltage**



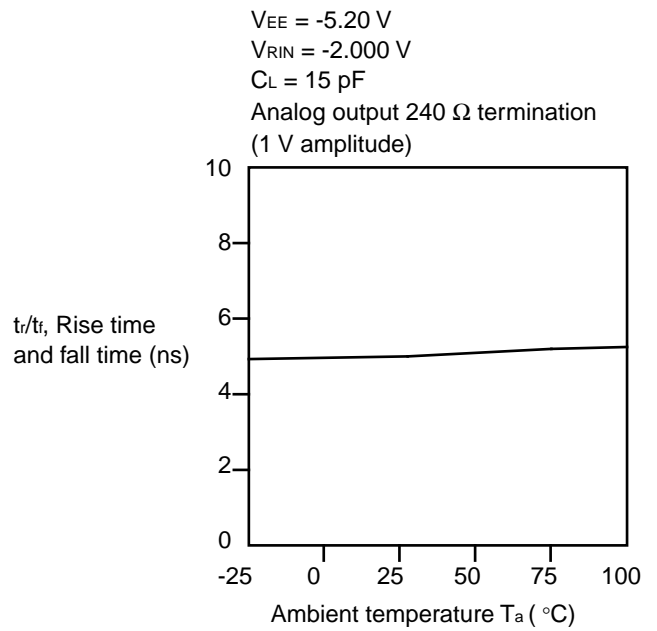
**14. Minimum Clock Pulse Width v.s. Ambient Temperature**



**15. Minimum Clock Pulse Width v.s. Power Supply Voltage**

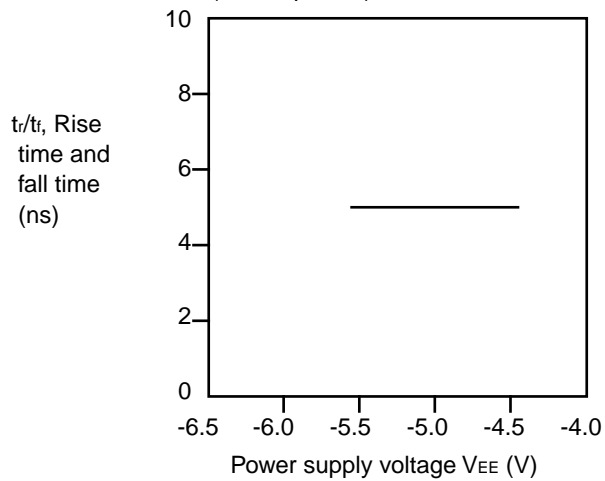
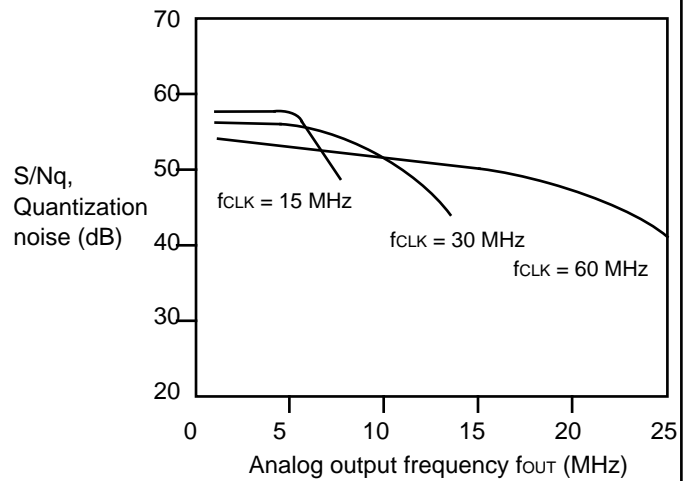


**16. Rise Time / Fall Time v.s. Ambient Temperature**



**17. Rise Time / Fall Time v.s. Power Supply Voltage**

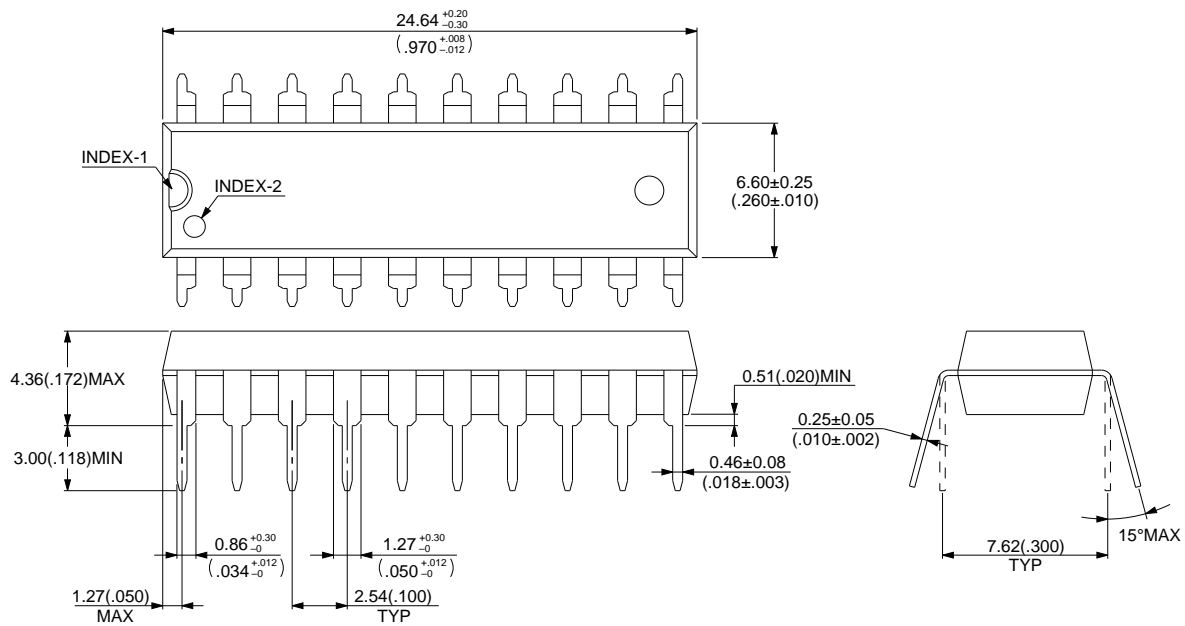
$T_a = 25\text{ }^\circ\text{C}$   
 $V_{RIN} = -2.000\text{ V}$   
 $C_L = 15\text{ pF}$   
 Analog output 240  $\Omega$  termination  
 (1 V amplitude)

**18. Quantization Noise v.s. Analog Output Frequency**

## MB40730

## ■ PACKAGE DIMENSIONS

20 pins, Plastic DIP  
(DIP-20P-M01)

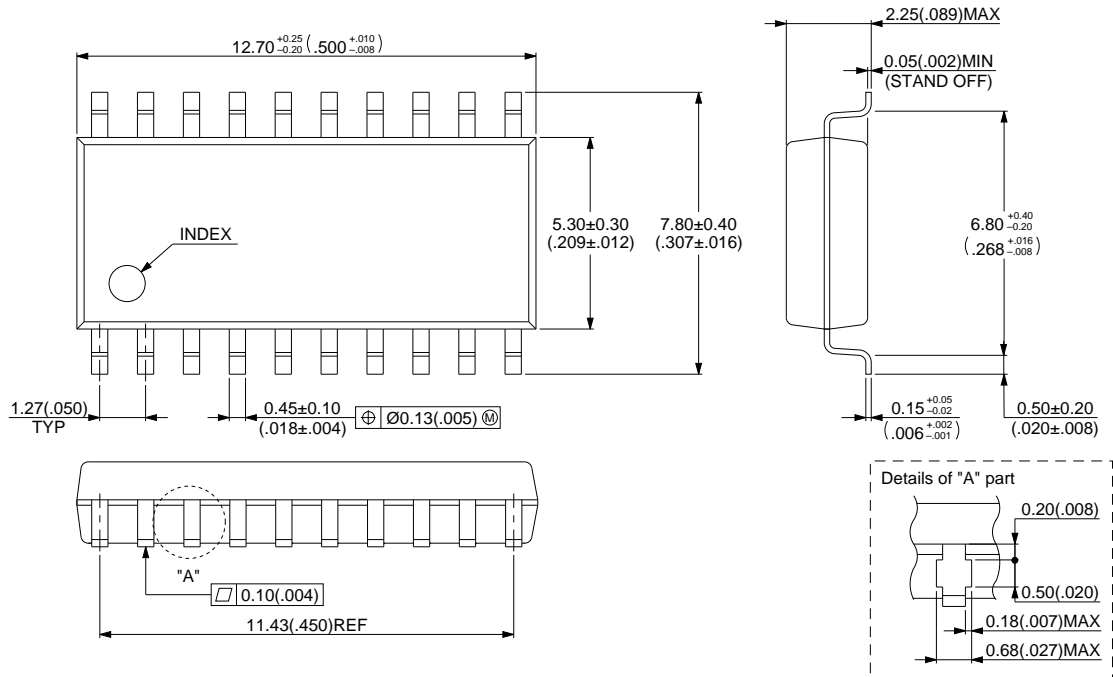


© 1994 FUJITSU LIMITED D20005S-3C-3

Dimensions in mm(inches).

■ PACKAGE DIMENSIONS (Continued)

20 pins, Plastic SOP  
(FPT-20P-M01)



© 1994 FUJITSU LIMITED F20003S-5C-4

Dimensions in mm(inches).

# FUJITSU LIMITED

*For further information please contact:*

## **Japan**

FUJITSU LIMITED  
Corporate Global Business Support Division  
Electronic Devices  
KAWASAKI PLANT, 4-1-1, Kamikodanaka  
Nakahara-ku, Kawasaki-shi  
Kanagawa 211-88, Japan  
Tel: (044) 754-3763  
Fax: (044) 754-3329

## **North and South America**

FUJITSU MICROELECTRONICS, INC.  
Semiconductor Division  
3545 North First Street  
San Jose, CA 95134-1804, U.S.A.  
Tel: (408) 922-9000  
Fax: (408) 432-9044/9045

## **Europe**

FUJITSU MIKROELEKTRONIK GmbH  
Am Siebenstein 6-10  
63303 Dreieich-Buchsschlag  
Germany  
Tel: (06103) 690-0  
Fax: (06103) 690-122

## **Asia Pacific**

FUJITSU MICROELECTRONICS ASIA PTE. LIMITED  
#05-08, 151 Lorong Chuan  
New Tech Park  
Singapore 556741  
Tel: (65) 281-0770  
Fax: (65) 281-0220

All Rights Reserved.

The contents of this document are subject to change without notice. Customers are advised to consult with FUJITSU sales representatives before ordering.

The information and circuit diagrams in this document presented as examples of semiconductor device applications, and are not intended to be incorporated in devices for actual use. Also, FUJITSU is unable to assume responsibility for infringement of any patent rights or other rights of third parties arising from the use of this information or circuit diagrams.

FUJITSU semiconductor devices are intended for use in standard applications (computers, office automation and other office equipment, industrial, communications, and measurement equipment, personal or household devices, etc.).

### **CAUTION:**

Customers considering the use of our products in special applications where failure or abnormal operation may directly affect human lives or cause physical injury or property damage, or where extremely high levels of reliability are demanded (such as aerospace systems, atomic energy controls, sea floor repeaters, vehicle operating controls, medical devices for life support, etc.) are requested to consult with FUJITSU sales representatives before such use. The company will not be responsible for damages arising from such use without prior approval.

Any semiconductor devices have inherently a certain rate of failure. You must protect against injury, damage or loss from such failures by incorporating safety design measures into your facility and equipment such as redundancy, fire protection, and prevention of over-current levels and other abnormal operating conditions.

If any products described in this document represent goods or technologies subject to certain restrictions on export under the Foreign Exchange and Foreign Trade Control Law of Japan, the prior authorization by Japanese government should be required for export of those products from Japan.