

## CD4538BC Dual Precision Monostable

### General Description

The CD4538BC is a dual, precision monostable multivibrator with independent trigger and reset controls. The device is retriggerable and resettable, and the control inputs are internally latched. Two trigger inputs are provided to allow either rising or falling edge triggering. The reset inputs are active LOW and prevent triggering while active. Precise control of output pulse-width has been achieved using linear CMOS techniques. The pulse duration and accuracy are determined by external components  $R_X$  and  $C_X$ . The device does not allow the timing capacitor to discharge through the timing pin on power-down condition. For this reason, no external protection resistor is required in series with the timing pin. Input protection from static discharge is provided on all pins.

### Features

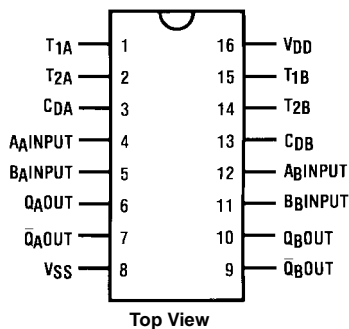
- Wide supply voltage range: 3.0V to 15V
- High noise immunity:  $0.45 V_{CC}$  (typ.)
- Low power TTL compatibility:  
Fan out of 2 driving 74L or 1 driving 74LS
- New formula:  
 $PW_{OUT} = RC$  (PW in seconds, R in Ohms, C in Farads)
- $\pm 1.0\%$  pulse-width variation from part to part (typ.)
- Wide pulse-width range:  $1 \mu s$  to  $\infty$
- Separate latched reset inputs
- Symmetrical output sink and source capability
- Low standby current: 5 nA (typ.) @ 5  $V_{DC}$
- Pin compatible to CD4528BC

### Ordering Code:

Order Number	Package Number	Package Description
CD4538BCM	M16A	16-Lead Small Outline Integrated Circuit (SOIC), JEDEC MS-012, 0.150" Narrow
CD4538BCWM	M16B	16-Lead Small Outline Intergrated Circuit (SOIC), JEDEC MS-013, 0.300" Wide
CD4538BCN	N16E	16-Lead Plastic Dual-In-Line Package (PDIP), JEDEC MS-001, 0.300" Wide

Devices also available in Tape and Reel. Specify by appending the suffix letter "X" to the ordering code.

### Connection Diagram

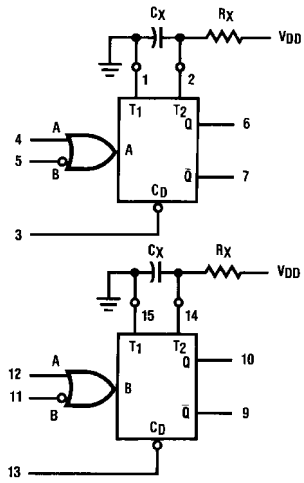


### Truth Table

Clear	Inputs		Outputs	
	A	B	Q	$\bar{Q}$
L	X	X	L	H
X	H	X	L	H
X	X	L	L	H
H	L	↓	$\text{—}\downarrow\text{—}$	$\text{—}\uparrow\text{—}$
H	↑	H	$\text{—}\downarrow\text{—}$	$\text{—}\uparrow\text{—}$

H = HIGH Level  
L = LOW Level  
↑ = Transition from LOW-to-HIGH  
↓ = Transition from HIGH-to-LOW  
 $\text{—}\downarrow\text{—}$  = One HIGH Level Pulse  
 $\text{—}\uparrow\text{—}$  = One LOW Level Pulse  
X = Irrelevant

### Block Diagram



R<sub>X</sub> and C<sub>X</sub> are External Components  
 V<sub>DD</sub> = Pin 16  
 V<sub>SS</sub> = Pin 8

### Logic Diagram

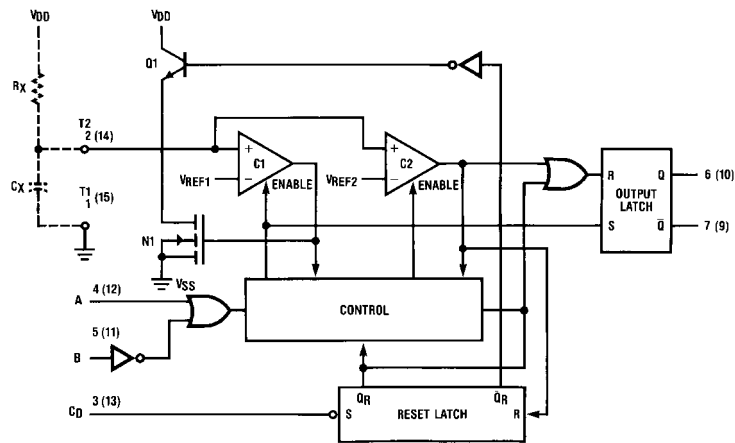


FIGURE 1.

## Theory of Operation

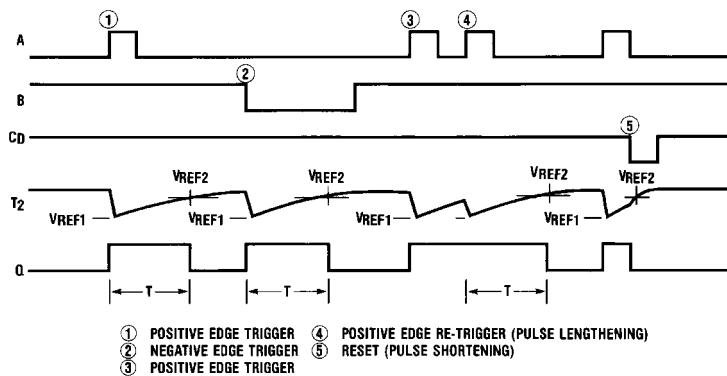


FIGURE 2.

## Trigger Operation

The block diagram of the CD4538BC is shown in Figure 1, with circuit operation following.

As shown in Figure 1 and Figure 2, before an input trigger occurs, the monostable is in the quiescent state with the Q output low, and the timing capacitor  $C_X$  completely charged to  $V_{DD}$ . When the trigger input A goes from  $V_{SS}$  to  $V_{DD}$  (while inputs B and  $C_D$  are held to  $V_{DD}$ ) a valid trigger is recognized, which turns on comparator C1 and N-Channel transistor N1<sup>(1)</sup>. At the same time the output latch is set. With transistor N1 on, the capacitor  $C_X$  rapidly discharges toward  $V_{SS}$  until  $V_{REF1}$  is reached. At this point the output of comparator C1 changes state and transistor N1 turns off. Comparator C1 then turns off while at the same time comparator C2 turns on. With transistor N1 off, the capacitor  $C_X$  begins to charge through the timing resistor,  $R_X$ , toward  $V_{DD}$ . When the voltage across  $C_X$  equals  $V_{REF2}$ , comparator C2 changes state causing the output latch to reset (Q goes low) while at the same time disabling comparator C2. This ends the timing cycle with the monostable in the quiescent state, waiting for the next trigger.

A valid trigger is also recognized when trigger input B goes from  $V_{DD}$  to  $V_{SS}$  (while input A is at  $V_{SS}$  and input  $C_D$  is at  $V_{DD}$ )<sup>(2)</sup>.

It should be noted that in the quiescent state  $C_X$  is fully charged to  $V_{DD}$ , causing the current through resistor  $R_X$  to be zero. Both comparators are "off" with the total device current due only to reverse junction leakages. An added feature of the CD4538BC is that the output latch is set via the input trigger without regard to the capacitor voltage. Thus, propagation delay from trigger to Q is independent of the value of  $C_X$ ,  $R_X$ , or the duty cycle of the input waveform.

## Retrigger Operation

The CD4538BC is retriggered if a valid trigger occurs<sup>(3)</sup> followed by another valid trigger<sup>(4)</sup> before the Q output has returned to the quiescent (zero) state. Any retrigger, after the timing node voltage at pin 2 or 14 has begun to rise from  $V_{REF1}$ , but has not yet reached  $V_{REF2}$ , will cause an increase in output pulse width T. When a valid retrigger is initiated<sup>(4)</sup>, the voltage at T2 will again drop to  $V_{REF1}$  before progressing along the RC charging curve toward  $V_{DD}$ . The Q output will remain high until time T, after the last valid retrigger.

## Reset Operation

The CD4538BC may be reset during the generation of the output pulse. In the reset mode of operation, an input pulse on  $C_D$  sets the reset latch and causes the capacitor to be fast charged to  $V_{DD}$  by turning on transistor Q1<sup>(5)</sup>. When the voltage on the capacitor reaches  $V_{REF2}$ , the reset latch will clear and then be ready to accept another pulse. If the  $C_D$  input is held low, any trigger inputs that occur will be inhibited and the Q and  $\bar{Q}$  outputs of the output latch will not change. Since the Q output is reset when an input low level is detected on the  $C_D$  input, the output pulse T can be made significantly shorter than the minimum pulse width specification.

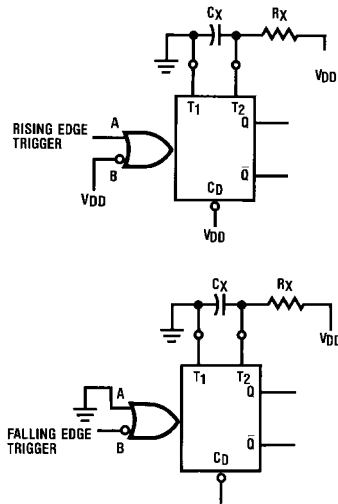


FIGURE 3. Retriggerable Monostables Circuitry

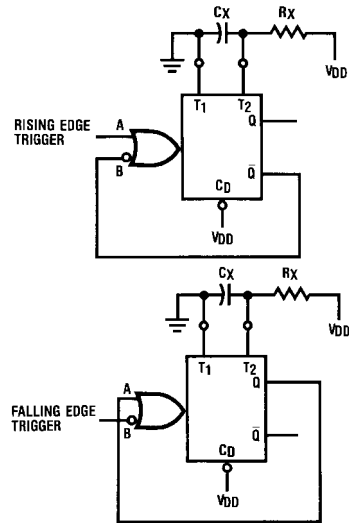


FIGURE 4. Non-Retriggerable Monostables Circuitry

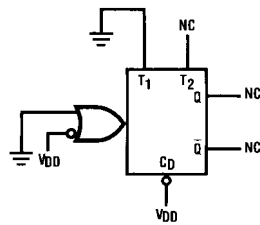


FIGURE 5. Connection of Unused Sections

### Absolute Maximum Ratings (Note 1)

(Note 2)

DC Supply Voltage ( $V_{DD}$ )	-0.5 to +18 $V_{DC}$
Input Voltage ( $V_{IN}$ )	-0.5V to $V_{DD} + 0.5 V_{DC}$
Storage Temperature Range ( $T_S$ )	-65°C to +150°C
Power Dissipation ( $P_D$ )	
Dual-In-Line	700 mW
Small Outline	500 mW
Lead Temperature ( $T_L$ )	
(Soldering, 10 seconds)	260°C

### Recommended Operating Conditions (Note 2)

DC Supply Voltage ( $V_{DD}$ )	3 to 15 $V_{DC}$
Input Voltage ( $V_{IN}$ )	0 to $V_{DD} V_{DC}$
Operating Temperature Range ( $T_A$ )	-55°C to +125°C

**Note 1:** "Absolute Maximum Ratings" are those values beyond which the safety of the device cannot be guaranteed, they are not meant to imply that the devices should be operated at these limits. The tables of "Recommended Operating Conditions" and "Electrical Characteristics" provide conditions for actual device operation.

**Note 2:**  $V_{SS} = 0V$  unless otherwise specified.

### DC Electrical Characteristics (Note 2)

Symbol	Parameter	Conditions	-55°C		+25°C			+125°C		Units
			Min	Max	Min	Typ	Max	Min	Max	
$I_{DD}$	Quiescent Device Current	$V_{DD} = 5V$ $V_{IH} = V_{DD}$		20		0.005	5		150	$\mu A$
		$V_{DD} = 10V$ $V_{IL} = V_{SS}$		40		0.010	10		300	
		$V_{DD} = 15V$ All Outputs Open		80		0.015	20		600	
$V_{OL}$	LOW Level Output Voltage	$V_{DD} = 5V$ $ I_{OL}  < 1 \mu A$		0.05		0	0.05		0.05	V
		$V_{DD} = 10V$ $V_{IH} = V_{DD}, V_{IL} = V_{SS}$		0.05		0	0.05		0.05	
		$V_{DD} = 15V$		0.05		0	0.05		0.05	
$V_{OH}$	HIGH Level Output Voltage	$V_{DD} = 5V$ $ I_{OL}  < 1 \mu A$	4.95		4.95	5		4.95		V
		$V_{DD} = 10V$ $V_{IH} = V_{DD}, V_{IL} = V_{SS}$	9.95		9.95	10		9.95		
		$V_{DD} = 15V$	14.95		14.95	15		14.95		
$V_{IL}$	LOW Level Input Voltage	$ I_{OL}  < 1 \mu A$								V
		$V_{DD} = 5V, V_O = 0.5V$ or 4.5V		1.5		2.25	1.5		1.5	
		$V_{DD} = 10V, V_O = 1.0V$ or 9.0V		3.0		4.50	3.0		3.0	
$V_{IH}$	HIGH Level Input Voltage	$ I_{OL}  < 1 \mu A$								V
		$V_{DD} = 5V, V_O = 0.5V$ or 4.5V	3.5		3.5	2.75		3.5		
		$V_{DD} = 10V, V_O = 1.0V$ or 9.0V	7.0		7.0	5.50		7.0		
$I_{OL}$	LOW Level Output Current <small>(Note 3)</small>	$V_{DD} = 5V, V_O = 0.4V$ $V_{IH} = V_{DD}$	0.64		0.51	0.88		0.36		mA
		$V_{DD} = 10V, V_O = 0.5V$ $V_{IL} = V_{SS}$	1.6		1.3	2.25		0.9		
		$V_D = 15V, V_O = 1.5V$	4.2		3.4	8.8		2.4		
$I_{OH}$	HIGH Level Output Current <small>(Note 3)</small>	$V_{DD} = 5V, V_O = 4.6V$	-0.6		-0.51	-0.88		-0.36		mA
		$V_{DD} = 10V, V_O = 9.5V$ $V_{IL} = V_{SS}$	-1.6		-1.3	-2.25		-0.9		
		$V_D = 15V, V_O = 13.5V$	-4.2		-3.4	-8.8		-2.4		
$I_{IN}$	Input Current, Pin 2 or 14	$V_{DD} = 15V, V_{IN} = 0V$ or 15V		$\pm 0.02$		$\pm 10^{-5}$	$\pm 0.05$		$\pm 0.5$	$\mu A$
$I_{IN}$	Input Current Other Inputs	$V_{DD} = 15V, V_{IN} = 0V$ or 15V		$\pm 0.1$		$\pm 10^{-5}$	$\pm 0.1$		$\pm 1.0$	$\mu A$

**Note 3:**  $I_{OH}$  and  $I_{OL}$  are tested one output at a time.

AC Electrical Characteristics (Note 4)						
$T_A = 25^\circ\text{C}$ , $C_L = 50\text{ pF}$ , and $t_r = t_f = 20\text{ ns}$ unless otherwise specified						
Symbol	Parameter	Conditions	Min	Typ	Max	Units
$t_{TLH}$ , $t_{THL}$	Output Transition Time	$V_{DD} = 5\text{V}$ $V_{DD} = 10\text{V}$ $V_{DD} = 15\text{V}$		100 50 40	200 100 80	ns
$t_{PLH}$ , $t_{PHL}$	Propagation Delay Time	Trigger Operation— A or B to Q or $\bar{Q}$ $V_{DD} = 5\text{V}$ $V_{DD} = 10\text{V}$ $V_{DD} = 15\text{V}$ Reset Operation— $C_D$ to Q or $\bar{Q}$ $V_{DD} = 5\text{V}$ $V_{DD} = 10\text{V}$ $V_{DD} = 15\text{V}$		300 150 100 250 125 95	600 300 220 500 250 190	ns
$t_{WL}$ , $t_{WH}$	Minimum Input Pulse Width A, B, or $C_D$	$V_{DD} = 5\text{V}$ $V_{DD} = 10\text{V}$ $V_{DD} = 15\text{V}$		35 30 25	70 60 50	ns
$t_{RR}$	Minimum Retrigger Time	$V_{DD} = 5\text{V}$ $V_{DD} = 10\text{V}$ $V_{DD} = 15\text{V}$		0 0 0	0 0 0	ns
$C_{IN}$	Input Capacitance	Pin 2 or 14 Other Inputs		10 5	7.5	pF
$PW_{OUT}$	Output Pulse Width (Q or $\bar{Q}$ ) (Note: For Typical Distribution, see Figure 6)	$R_X = 100\text{ k}\Omega$ $V_{DD} = 5\text{V}$ $C_X = 0.002\text{ }\mu\text{F}$ $V_{DD} = 10\text{V}$ $V_{DD} = 15\text{V}$ $R_X = 100\text{ k}\Omega$ $V_{DD} = 5\text{V}$ $C_X = 0.1\text{ }\mu\text{F}$ $V_{DD} = 10\text{V}$ $V_{DD} = 15\text{V}$ $R_X = 100\text{ k}\Omega$ $V_{DD} = 5\text{V}$ $C_X = 10.0\text{ }\mu\text{F}$ $V_{DD} = 10\text{V}$ $V_{DD} = 15\text{V}$	208 211 216 8.83 9.02 9.20 0.87 0.89 0.91	226 230 235 9.60 9.80 10.00 0.95 0.97 0.99	244 248 254 10.37 10.59 10.80 1.03 1.05 1.07	$\mu\text{s}$ ms s
Pulse Width Match between Circuits in the Same Package $C_X = 0.1\text{ }\mu\text{F}$ , $R_X = 100\text{ k}\Omega$		$R_X = 100\text{ k}\Omega$ $V_{DD} = 5\text{V}$ $C_X = 0.1\text{ }\mu\text{F}$ $V_{DD} = 10\text{V}$ $V_{DD} = 15\text{V}$		$\pm 1$ $\pm 1$ $\pm 1$		%
<b>Operating Conditions</b>						
$R_X$	External Timing Resistance		5.0		(Note 5)	k $\Omega$
$C_X$	External Timing Capacitance		0		No Limit	pF
<b>Note 4:</b> AC parameters are guaranteed by DC correlated testing.						
<b>Note 5:</b> The maximum usable resistance $R_X$ is a function of the leakage of the Capacitor $C_X$ , leakage of the CD4538BC, and leakage due to board layout, surface resistance, etc.						

Typical Applications

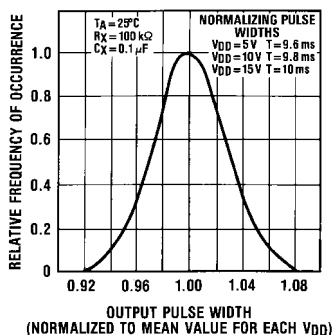


FIGURE 6. Typical Normalized Distribution of Units for Output Pulse Width

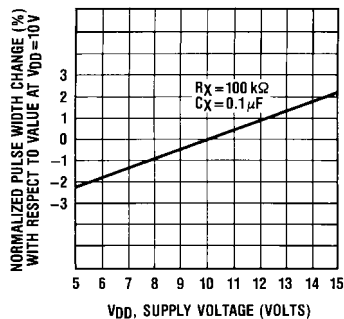


FIGURE 7. Typical Pulse Width Variation as a Function of Supply Voltage  $V_{DD}$

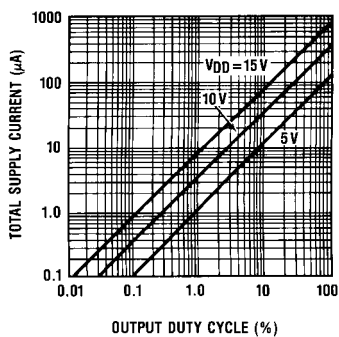


FIGURE 8. Typical Total Supply Current Versus Output Duty Cycle,  $R_X = 100\text{ k}\Omega$ ,  $C_L = 50\text{ pF}$ ,  $C_X = 100\text{ pF}$ , One Monostable Switching Only

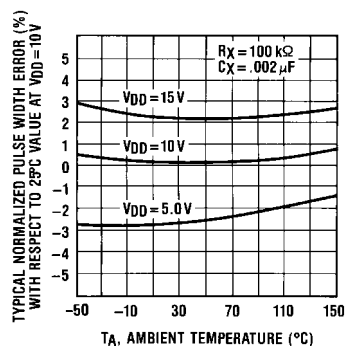


FIGURE 9. Typical Pulse Width Error Versus Temperature

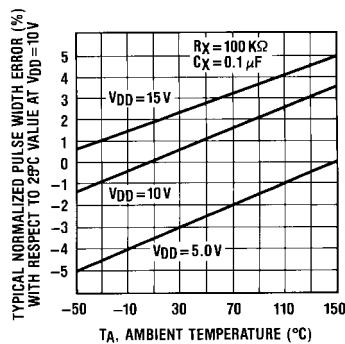


FIGURE 10. Typical Pulse Width Error Versus Temperature

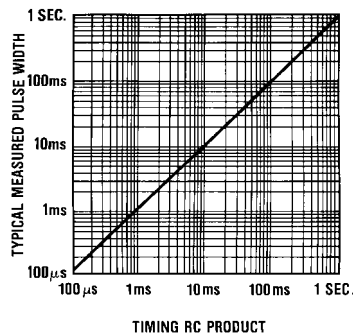


FIGURE 11. Typical Pulse Width Versus Timing RC Product

Test Circuits and Waveforms

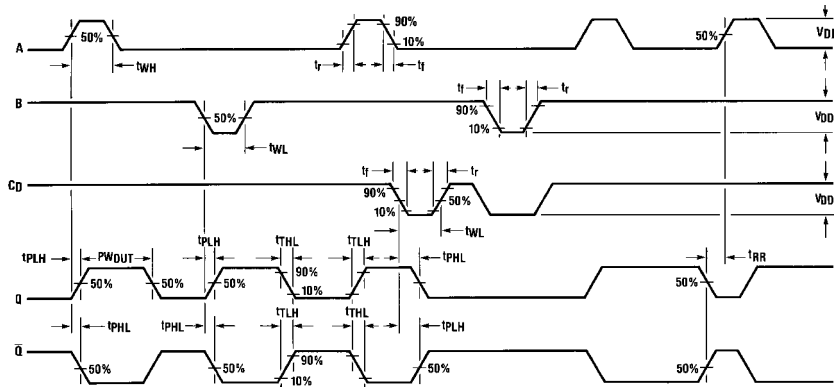
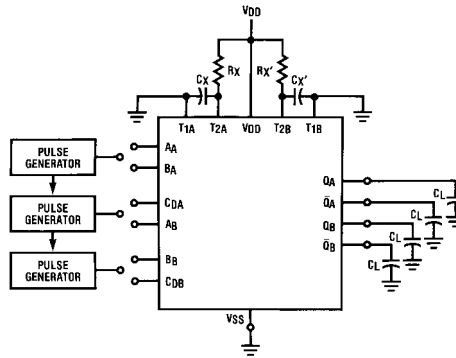


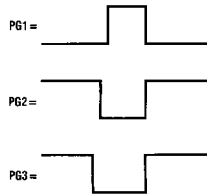
FIGURE 12. Switching Test Waveforms



\* $C_L = 50$  pF

Input Connections

Characteristics	CD	A	B
$t_{PLH}$ , $t_{PHL}$ , $t_{TLH}$ , $t_{THL}$ $PW_{OUT}$ , $t_{WH}$ , $t_{WL}$	V <sub>DD</sub>	PG1	V <sub>DD</sub>
$t_{PLH}$ , $t_{PHL}$ , $t_{TLH}$ , $t_{THL}$ $PW_{OUT}$ , $t_{WH}$ , $t_{WL}$	V <sub>DD</sub>	V <sub>SS</sub>	PG2
$t_{PLH(R)}$ , $t_{PHL(R)}$ , $t_{WH}$ , $t_{WL}$	PG3	PG1	PG2



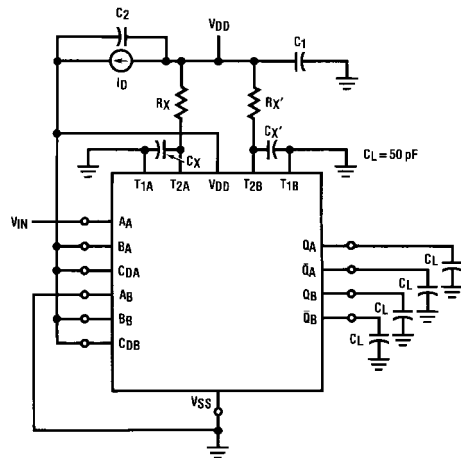
\*Includes capacitance of probes, wiring, and fixture parasitic

Note: Switching test waveforms for PG1, PG2, PG3 are shown in Figure 12.

FIGURE 13. Switching Test Circuit



Test Circuits and Waveforms (Continued)



$R_X = R_{X'} = 100 \text{ k}\Omega$   
 $C_X = C_{X'} = 100 \text{ pF}$   
 $C_1 = C_2 = 0.1 \text{ }\mu\text{F}$

Duty Cycle = 50%

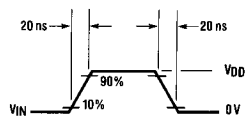
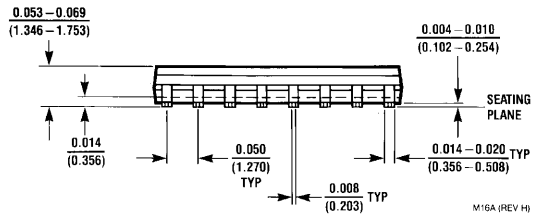
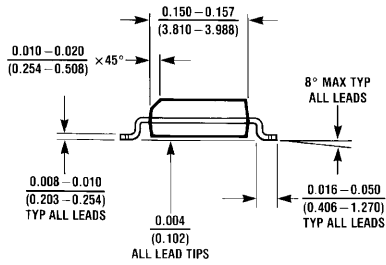
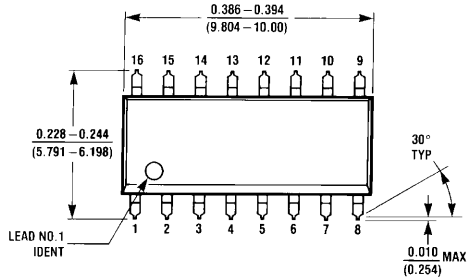
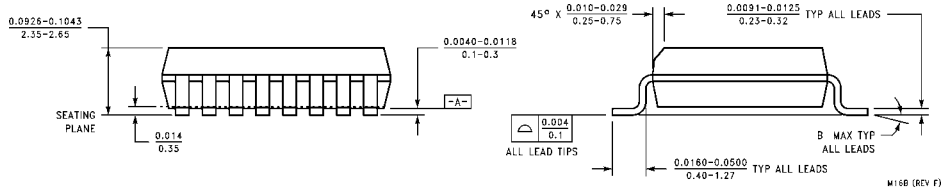
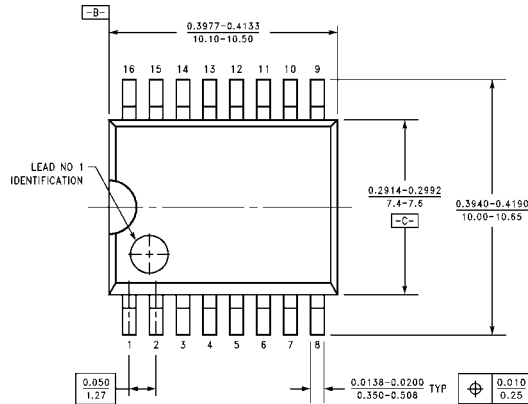


FIGURE 14. Power Dissipation Test Circuit and Waveforms

**Physical Dimensions** inches (millimeters) unless otherwise noted

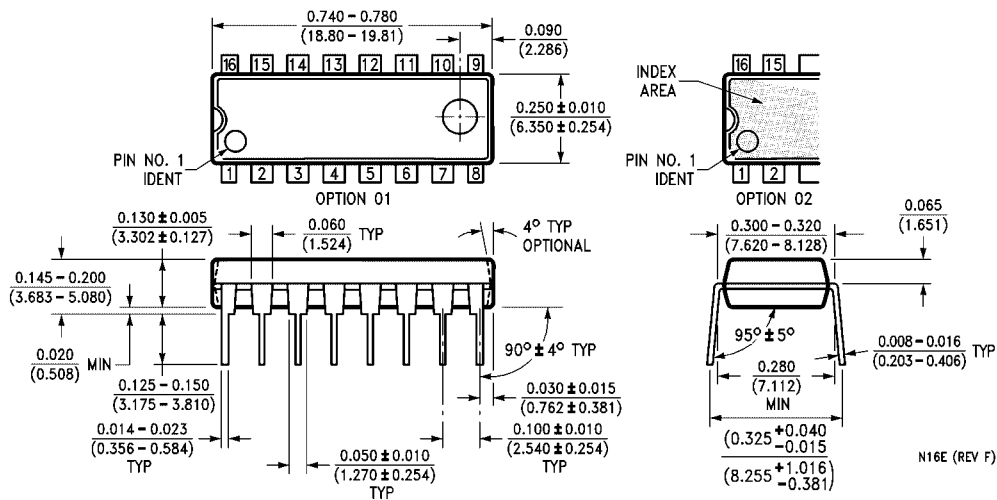


**16-Lead Small Outline Integrated Circuit (SOIC), JEDEC MS-012, 0.150" Narrow  
Package Number M16A**



**16-Lead Small Outline Intergrated Circuit (SOIC), JEDEC MS-013, 0.300" Wide  
Package Number M16B**

**Physical Dimensions** inches (millimeters) unless otherwise noted (Continued)



**16-Lead Plastic Dual-In-Line Package (PDIP), JEDEC MS-001, 0.300" Wide Package Number N16E**

Fairchild does not assume any responsibility for use of any circuitry described, no circuit patent licenses are implied and Fairchild reserves the right at any time without notice to change said circuitry and specifications.

**LIFE SUPPORT POLICY**

FAIRCHILD'S PRODUCTS ARE NOT AUTHORIZED FOR USE AS CRITICAL COMPONENTS IN LIFE SUPPORT DEVICES OR SYSTEMS WITHOUT THE EXPRESS WRITTEN APPROVAL OF THE PRESIDENT OF FAIRCHILD SEMICONDUCTOR CORPORATION. As used herein:

1. Life support devices or systems are devices or systems which, (a) are intended for surgical implant into the body, or (b) support or sustain life, and (c) whose failure to perform when properly used in accordance with instructions for use provided in the labeling, can be reasonably expected to result in a significant injury to the user.
2. A critical component in any component of a life support device or system whose failure to perform can be reasonably expected to cause the failure of the life support device or system, or to affect its safety or effectiveness.

[www.fairchildsemi.com](http://www.fairchildsemi.com)