



# LB1928

## Three-Phase Brushless Motor Driver for Office Automation Equipment

### Overview

The LB1928 is a 3-phase brushless motor driver well suited for drum and paper feed motors in laser printers, plain-paper copiers and other office automation equipment. Direct PWM drive allows control with low power losses. Peripheral circuitry including speed control circuit and FG amplifier is integrated, thus allows drive circuit to be constructed with a single chip.

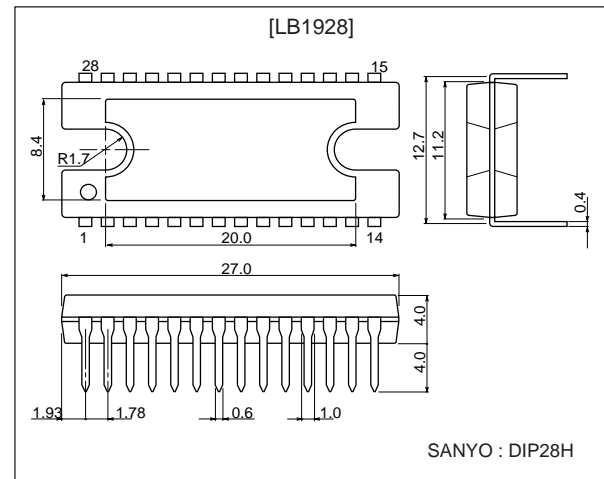
### Functions and Features

- Three-phase bipolar drive (30V, 3.1A)
- Direct PWM drive technique
- Built-in diode for absorbing output lower-side kickback
- Speed discriminator and PLL speed control
- Speed lock detection output
- Built-in forward/reverse switching circuit
- Built-in protection circuitry includes current limiter, overheat protection, motor restraint protection, etc.

### Package Dimensions

unit: mm

#### 3147B-DIP28H



### Specifications

#### Absolute Maximum Ratings at $T_a = 25^\circ\text{C}$

Parameter	Symbol	Conditions	Ratings	Unit
Maximum supply voltage	$V_{cc}$ max		30	V
Maximum output current	$I_O$ max	$T \leq 500$ ms	3.1	A
Allowable power dissipation 1	$P_d$ max 1	IC only	3	W
Allowable power dissipation 2	$P_d$ max 2	With an arbitrary large heat sink	20	W
Operating temperature	$T_{opr}$		-20 to +80	$^\circ\text{C}$
Storage temperature	$T_{stg}$		-55 to +150	$^\circ\text{C}$

#### Allowable Operating Ranges at $T_a = 25^\circ\text{C}$

Parameter	Symbol	Conditions	Ratings	Unit
Power supply voltage range 1	$V_{cc}$		9.5 to 28	V
Regulator voltage output current	$I_{REG}$		0 to -20	mA
LD output current	$I_{LD}$		0 to 15	mA

■ Any and all SANYO products described or contained herein do not have specifications that can handle applications that require extremely high levels of reliability, such as life-support systems, aircraft's control systems, or other applications whose failure can be reasonably expected to result in serious physical and/or material damage. Consult with your SANYO representative nearest you before using any SANYO products described or contained herein in such applications.

■ SANYO assumes no responsibility for equipment failures that result from using products at values that exceed, even momentarily, rated values (such as maximum ratings, operating condition ranges, or other parameters) listed in products specifications of any and all SANYO products described or contained herein.

# LB1928

## Electrical Characteristics at Ta = 25°C, Vcc = VM = 24V

Parameter	Symbol	Conditions	Ratings			Unit
			min	typ	max	
Power supply current 1	Icc1			23	30	mA
Power supply current 2	Icc2	In STOP mode		3.5	5	mA
[Output block]						
Output saturation voltage 1	Vosat1	Io = 1.0A, Vo(SINK) + Vo(SOURCE)		2.0	2.5	V
Output saturation voltage 2	Vosat2	Io = 2.0A, Vo(SINK) + Vo(SOURCE)		2.6	3.2	V
Output leak current	Ioleak				100	μA
Lower-side diode forward voltage 1	VD1	ID = -1.0A		1.2	1.5	V
Lower-side diode forward voltage 2	VD2	ID = -2.0A		1.5	2.0	V
[5V regulator voltage output]						
Output voltage	VREG	Io = -5 mA	4.65	5.00	5.35	V
Voltage fluctuation	ΔVREG1	Vcc = 9.5 to 28V		30	100	mV
Load fluctuation	ΔVREG2	Io = -5 to -20 mA		20	100	mV
[Hall amplifier]						
Input bias current	IHB		-2	-0.5		μA
Common mode input voltage range	VICM		1.5		VREG -1.5	V
Hall input sensitivity			80			mVp-p
Hysteresis width	ΔVIN		15	24	42	mV
Input voltage L -> H	VSLH			12		mV
Input voltage H-> L	VSHL			-12		mV
[PWM oscillator]						
Output High level voltage	VOH(PWM)		2.5	2.8	3.1	V
Output Low level voltage	VOL(PWM)		1.2	1.5	1.8	V
Oscillator frequency	f(PWM)	C = 3900 pF		18		kHz
Amplitude	V(PWM)		1.05	1.30	1.55	Vp-p
[CSD circuit]						
Operating voltage	VOH(CSD)		3.6	3.9	4.2	V
External capacitance charge current	Ichg		-17	-12	-9	μA
Operating time	t(CSD)	C = 10 μF Design target value		3.3		s
[Current limiter operation]						
Limiter	VRF	VCC-VM	0.45	0.5	0.55	V
[Thermal shutdown operation]						
Thermal shutdown operating temperature	TSD	Design target value (junction temperature)	150	180		°C
Hysteresis width	ΔTSD	Design target value (junction temperature)		50		°C
[FG amplifier]						
Input offset voltage	VIo(FG)		-10		+10	mV
Input bias current	IB(FG)		-1		+1	μA
Output High level voltage	VOH(FG)	IFGO = -0.2 mA	VREG -1.2	VREG -0.8		V
Output Low level voltage	VOL(FG)	IFGO = 0.2 mA		0.8	1.2	V
FG input sensitivity		Gain 100 times	3			mV
Next-stage Schmitt comparator width		Design target value	100	180	250	mV
Operating frequency range					2	kHz
Open-loop gain		f(FG) = 2 kHz	45	51		dB
[Speed discriminator]						
Output High level voltage	VOH(D)	IDO = -0.1 mA	VREG -1.0	VREG -0.7		V
Output Low level voltage	VOL(D)	IDO = 0.1 mA		0.8	1.1	V
Count number				512		
[PLL output]						
Output High level voltage	VOH(P)	IPO = -0.1 mA	VREG -1.8	VREG -1.5	VREG -1.2	V
Output Low level voltage	VOL(P)	IPO = 0.1 mA	1.2	1.5	1.8	V
[Lock detection]						
Output Low level voltage	VOL(LD)	ILD = 10 mA		0.15	0.5	V
Lock range				6.25		%

Continued on next page

## LB1928

Continued from preceding page

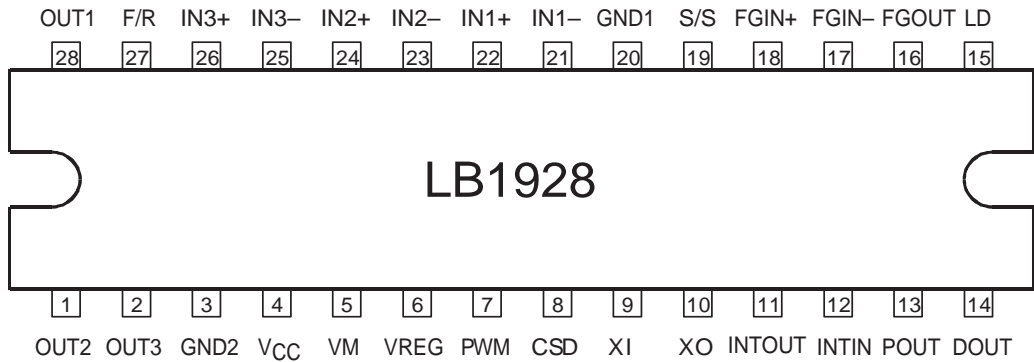
Parameter	Symbol	Conditions	Ratings			Unit
			min	typ	max	
[Integrator]						
Input bias current	$I_{B(INT)}$		-0.4		+0.4	$\mu\text{A}$
Output High level voltage	$V_{OH(INT)}$	$I_{INTO} = -0.2 \text{ mA}$	$V_{REG} - 1.2$	$V_{REG} - 0.8$		V
Output Low level voltage	$V_{OL(INT)}$	$I_{INTO} = 0.2 \text{ mA}$		0.8	1.2	V
Open-loop gain		$f(INT) = 1 \text{ kHz}$	45	51		dB
Gain bandwidth product		Design target value		450		kHz
Reference voltage		Design target value	-5%	$V_{REG}/2$	5%	V
[Crystal oscillator]						
Operating frequency range	fOSC		3		10	MHz
Low level pin voltage	$V_{OSCL}$	$I_{OSC} = -0.5 \text{ mA}$		1.65		V
High level pin current	$I_{OSCH}$	$V_{OSC} = V_{OSCL} + 0.3\text{V}$		0.4		mA
[Start/stop pin]						
High level input voltage range	$V_{IH(S/S)}$		3.5		$V_{REG}$	V
Low level input voltage range	$V_{IL(S/S)}$		0		1.5	V
Input open voltage	$V_{IO(S/S)}$		$V_{REG} - 0.5$		$V_{REG}$	V
Hysteresis width	$\Delta V_{IN}$		0.35	0.50	0.65	V
High level input current	$I_{IH(S/S)}$	$V(S/S) = V_{REG}$	-10	0	10	$\mu\text{A}$
Low level input current	$I_{IL(S/S)}$	$V(S/S) = 0\text{V}$	-280	-210		$\mu\text{A}$
[Forward/reverse pin]						
High level input voltage range	$V_{IH(F/R)}$		3.5		$V_{REG}$	V
Low level input voltage range	$V_{IL(F/R)}$		0		1.5	V
Input open voltage	$V_{IO(F/R)}$		$V_{REG} - 0.5$		$V_{REG}$	V
Hysteresis width	$\Delta V_{IN}$		0.35	0.50	0.65	V
High level input current	$I_{IH(F/R)}$	$V(F/R) = V_{REG}$	-10	0	+10	$\mu\text{A}$
Low level input current	$I_{IL(F/R)}$	$V(F/R) = 0\text{V}$	-280	-210		$\mu\text{A}$

# LB1928

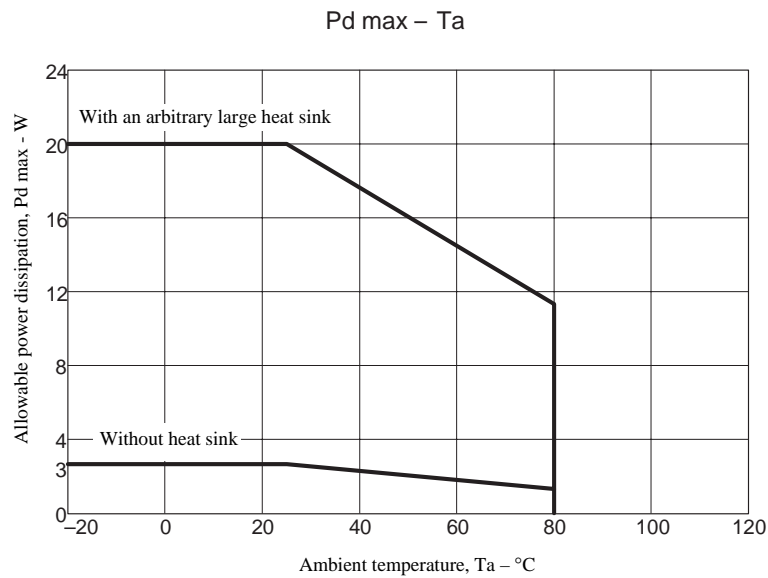
## Truth Table

	Source Sink	F/R = "L"			F/R = "H"		
		IN1	IN2	IN3	IN1	IN2	IN3
1	OUT2 -> OUT1	H	L	H	L	H	L
2	OUT3 -> OUT1	H	L	L	L	H	H
3	OUT3 -> OUT2	H	H	L	L	L	H
4	OUT1 -> OUT2	L	H	L	H	L	H
5	OUT1 -> OUT3	L	H	H	H	L	L
6	OUT2 -> OUT3	L	L	H	H	H	L

## Pin Assignment



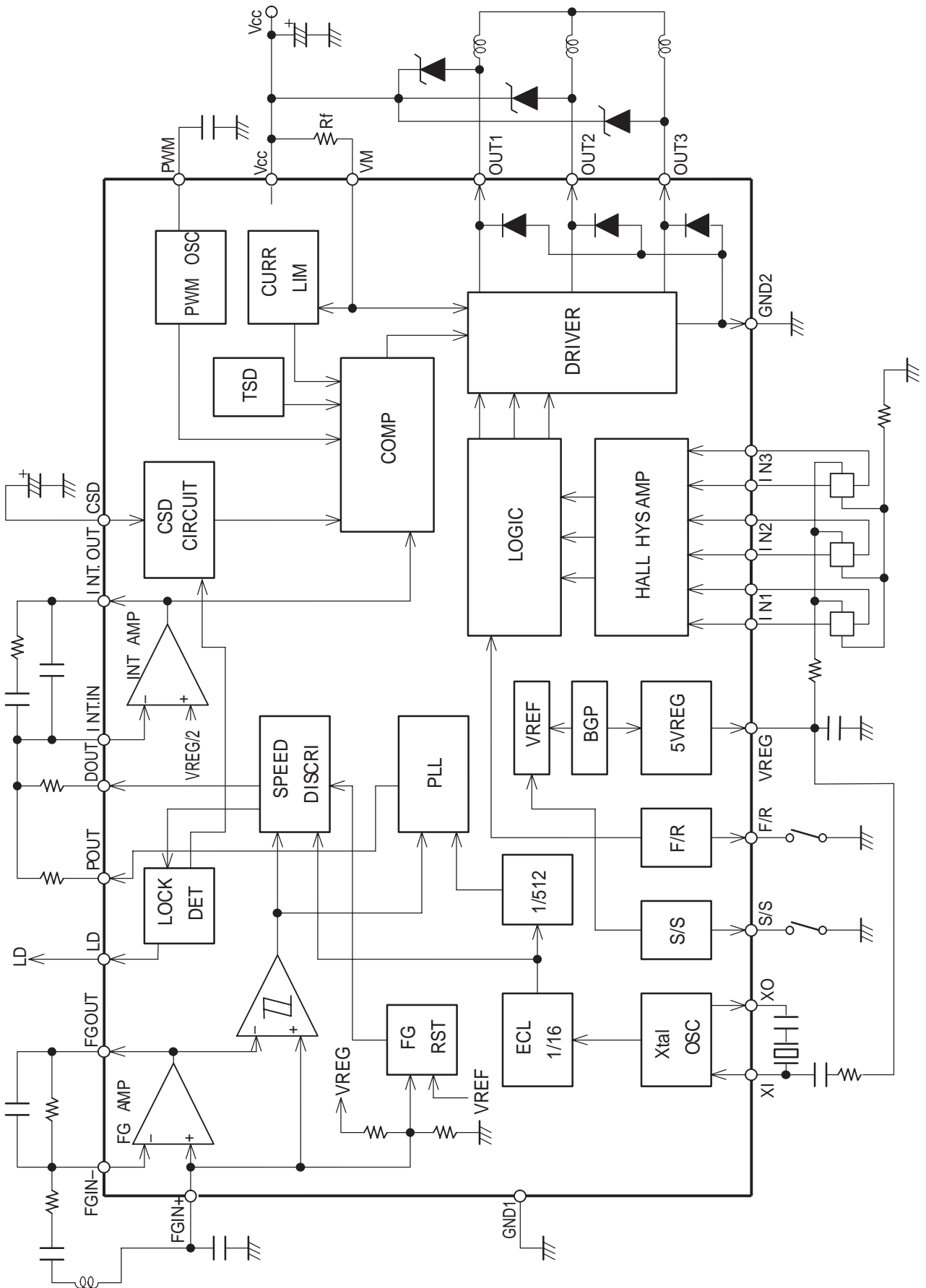
Top view



Relationship between crystal oscillator frequency  $f_{osc}$  and FG frequency  $f_{FG}$  is as follows.

$$\begin{aligned}
 f_{FG} \text{ (servo)} &= f_{osc} / (\text{ECL divide-by-16} \times \text{count number}) \\
 &= f_{osc} / 8192
 \end{aligned}$$

Equivalent Circuit Block Diagram



# LB1928

## Pin Description

Pin number	Pin name	Equivalent circuit	Pin function
28 1 2 3	OUT1 OUT2 OUT3		Motor drive output pins. Connect a Schottky diode between these outputs and $V_{CC}$ .
5	VM		Output ground pin. Output block power supply and output current detection pin. Connect a resistor ( $R_f$ ) between this pin and $V_{CC}$ to detect the output current as a voltage. The output current is limited according to the equation $I_{OUT} = V_{RF}/R_f$ .
4	$V_{CC}$		Power supply pin (except for output block)
6	VREG		Regulated power supply output pin (5V output) Connect a capacitor (approx. 0.1 $\mu$ F) between this pin and ground to stabilize the output.
7	PWM		PWM frequency setting pin. Connect a capacitor between this pin and ground. $C = 3900$ pF results in a frequency of about 18 kHz.
8	CSD		Lock protection circuit operation time setting pin. Connecting a capacitor of about 10 $\mu$ F between this pin and ground results in a protection circuit operation time of about 3.3 seconds.
9 10	XI XO		Quartz oscillator pins. Connect to quartz oscillator to generate the reference clock. When an external clock (of several MHz) is used, the clock signal should be input via a resistor of about 5.1 k $\Omega$ connected in series with the XI pin. In this case, the XO pin must be left open.

Continued on next page

# LB1928

Continued from preceding page

Pin number	Pin name	Equivalent circuit	Pin function
11	INT OUT		Integrator output pin (speed control pin)
12	INT IN		Integrator input pin.
13	POUT		PLL output pin.
14	DOUT		Speed discriminator output pin. Acceleration: High, Deceleration: Low
15	LD		Speed lock detection pin. When motor rotation is within lock range ( $\pm 6.25\%$ ): Low Withstand voltage: 30V max.

Continued on next page

# LB1928

Continued from preceding page

Pin number	Pin name	Equivalent circuit	Pin function
16	FG OUT	<p style="text-align: center;">FG schmitt comparator <span style="float: right;">A12993</span></p>	FG amplifier output pin.
17 18	FGIN- FGIN+	<p style="text-align: center;">FG reset circuit <span style="float: right;">A12994</span></p>	FG amplifier input pin. By connecting a capacitor (approx. 0.1 μF) between FGIN+ and ground, the logic circuitry is reset.
19	S/S	<p style="text-align: center;">A12995</p>	Start/stop control pin. Start (Low): 0V to 1.5V Stop (High): 3.5V to VREG High when open. Hysteresis width: approx. 0.5V.
20	GND1		Ground pin (except for output block).
22 21 24 23 26 25	IN1+ IN1- IN2+ IN2- IN3+ IN3-	<p style="text-align: center;">A12996</p>	Hall input pins. High when IN+ > IN-, Low when IN+ < IN-. Hall signal should have an amplitude of at least 100 mVp-p (differential operation). When Hall signal noise is a problem, connect a capacitor between IN+ and IN-.
27	F/R	<p style="text-align: center;">A12997</p>	Forward/reverse control pin. Forward (Low): 0V to 1.5V Reverse (High): 3.5V to VREG High when open. Hysteresis width: approx. 0.5V.



**Description of the LB1928**

1. Speed control circuit

The IC performs speed control through combined use of a speed discrimination circuit and PLL circuit. The speed control circuit counts FG cycles and outputs a deviation signal every 2 FG cycles. The PLL circuit outputs a phase deviation signal every FG cycle.

The FG servo frequency is determined by the following equation. The motor rotation speed is set by the number of FG pulses and the crystal oscillator frequency.

$$f_{FG}(\text{servo}) = f_{OSC}/8192$$

fOSC: Crystal oscillator frequency

2. Output drive circuit

In order to reduce power loss at the output, the LB1928 uses the PWM drive technique. While ON, the output transistors are always saturated, and motor drive power is adjusted by varying the output ON duty ratio. Because output PWM switching is performed by the lower-side output transistor, a Schottky diode must be connected between OUT and V<sub>CC</sub>. (If the reverse recovery time of the diode is too long, a feedthrough current will flow at the instant when the lower-side transistor goes ON.) An internal diode is provided between OUT and GND. If large output current causes a problem (waveform distortion during lower-side kickback, etc.), an external rectifying diode or Schottky diode should be connected.

The output diode is integrated only on the lower side.

3. Current limiting circuit

The current limiting circuit limits the peak current to the value  $I = V_{RF}/R_f$  ( $V_{RF} = 0.5 \text{ V typ.}$ ,  $R_f$ : current detector resistance). Current limiting is achieved by reducing the ON duty ratio of the output, which reduces the current.

4. Power save circuit

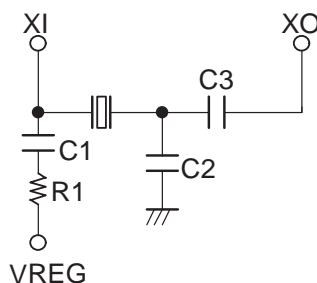
In order to reduce current drain in the STOP condition, the IC goes into power save mode. In this condition, bias current to most circuits is cut off, but the 5V regulator output remains active.

5. Reference clock

The reference clock for speed control can be input using one of the following two methods.

[1] Using a crystal oscillator

When a crystal is used for oscillation, connect the crystal, capacitors, and a resistor as shown in the figure below.



C1, R1: For stable oscillation

C3: For crystal coupling

C2: For overtone oscillation prevention

(Reference values)

Oscillator frequency (MHz)	C1 (μF)	C2 (pF)	C3 (pF)	R1 (Ω)
3 to 5	0.1	10	47	330k
5 to 8	0.1	None	47	330k
8 to 10	0.1	None	22	330k

The circuit configuration and values are for reference only. The crystal oscillator's characteristics as well as the possibility of floating capacitance and noise due to layout factors must be taken into consideration when designing an actual application.

[Precautions for wiring layout design]

Since the crystal oscillator circuit operates at high frequencies, it is susceptible to the influence of floating capacitance from the circuit board. Wiring should be kept as short as possible and traces should be kept narrow.

When designing the external circuitry, pay special attention to the wiring layout between the oscillator and C3 (C2), to minimize the influence of floating capacitance.

[2] External clock input (equivalent to crystal oscillator, several MHz)

When using an external signal source instead of a crystal oscillator, the clock signal should be input from the XO pin through a resistor of about 5.1 kΩ connected to the pin in series. The XO pin should be left open.

Signal input level

Low : 0 to 0.8V

High: 2.5 to 5.0V

6. Speed lock range

The speed lock range is ±6.25% of the rated speed. When the motor rotation is within the lock range, the LD pin becomes Low (open collector output). When the motor rotation goes out of the lock range, the ON duty ratio of the motor drive output is varied according to the amount of deviation to bring the rotation back into the lock range.

7. PWM frequency

The PWM frequency is determined by the capacitance connected to the PWM pin.

$$f_{\text{PWM}} \cong 1/(14400 \times C)$$

The PWM frequency should be between 15 and 25 kHz.

8. Hall input signal

The Hall input requires a signal with an amplitude of at least the hysteresis width (42 mV max.). Taking possible noise influences into consideration, an amplitude of at least 100 mV is desirable.

9. Forward/reverse switching

Forward/reverse switching of motor rotation is carried out with the F/R pin. If this is performed while the motor is running, the following points must be observed:

- Feedthrough current during switching is handled by proper circuit design. However, the V<sub>CC</sub> voltage rise during switching (caused by momentary return of motor current to power supply) must not exceed the rated voltage (30V). If problems occur, the capacitance between V<sub>CC</sub> and GND must be increased.
- If the motor current after switching exceeds the current limiter value, the lower-side transistors go OFF but the upper-side transistors go into the short brake state, which causes a current flow. The magnitude of the current is determined by the motor counterelectromotive voltage and the coil resistance. This current may not exceed the rated current (3.1A). (Forward/reverse switching at high speed therefore is not safe.)

10. Motor restraint protection circuit

To protect the IC and the motor itself when rotation is inhibited, a restraint protection circuit is provided. If the LD output is High (unlocked) for a certain interval in the start condition, the lower-side transistors are turned off. The length of the interval is determined by the capacitance at the CSD pin. A capacitance of 10  $\mu\text{F}$  results in a set interval of about 3.3 seconds. (Tolerance approx.  $\pm 30\%$ )

$$\text{Set interval (s)} \doteq 0.33 \times C (\mu\text{F})$$

If the capacitor arrangement is subject to leak current, possible adverse effects such as setting time tolerances must be taken into consideration.

When the restraint protection circuit has been activated, the condition can only be canceled by setting the system to the stop condition or by turning the power off and on again (in the stop condition). When wishing not to use the restraint protection circuit, connect the CSD pin to ground.

If the stop time when releasing the restraint protection is short, the capacitor charge will not be fully dissipated. This in turn will cause a shorter restraint protection activation time after the motor has been restarted. The stop time should therefore be designed to be sufficiently long, using the equation shown below (also when restarting in the motor start transient state).

$$\text{Stop time (ms)} \geq 15 \times C (\mu\text{F})$$

11. Power supply regulation

Because this IC has a high output current, power supply line fluctuations can occur easily. Therefore a capacitor of sufficient capacitance must be connected between the  $V_{CC}$  pin and ground to assure stable operation. If a diode is used in the power line for reverse-connection protection, the likelihood of power line fluctuations increases further, which will require more capacitance.

- Specifications of any and all SANYO products described or contained herein stipulate the performance, characteristics, and functions of the described products in the independent state, and are not guarantees of the performance, characteristics, and functions of the described products as mounted in the customer's products or equipment. To verify symptoms and states that cannot be evaluated in an independent device, the customer should always evaluate and test devices mounted in the customer's products or equipment.
- SANYO Electric Co., Ltd. strives to supply high-quality high-reliability products. However, any and all semiconductor products fail with some probability. It is possible that these probabilistic failures could give rise to accidents or events that could endanger human lives, that could give rise to smoke or fire, or that could cause damage to other property. When designing equipment, adopt safety measures so that these kinds of accidents or events cannot occur. Such measures include but are not limited to protective circuits and error prevention circuits for safe design, redundant design, and structural design.
- In the event that any or all SANYO products (including technical data, services) described or contained herein are controlled under any of applicable local export control laws and regulations, such products must not be exported without obtaining the export license from the authorities concerned in accordance with the above law.
- No part of this publication may be reproduced or transmitted in any form or by any means, electronic or mechanical, including photocopying and recording, or any information storage or retrieval system, or otherwise, without the prior written permission of SANYO Electric Co., Ltd.
- Any and all information described or contained herein are subject to change without notice due to product/technology improvement, etc. When designing equipment, refer to the "Delivery Specification" for the SANYO product that you intend to use.
- Information (including circuit diagrams and circuit parameters) herein is for example only ; it is not guaranteed for volume production. SANYO believes information herein is accurate and reliable, but no guarantees are made or implied regarding its use or any infringements of intellectual property rights or other rights of third parties.

This catalog provides information as of December, 1999. Specifications and information herein are subject to change without notice.