

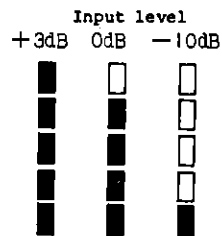
<b>SANYO</b>	No. 395F	<b>LB1405, 1415</b>
		<b>Level Meter</b>

**Use**

- . AC level meters such as VU meters.
- . DC level meters such as signal meters.
- . Supply voltage (battery, etc.) detection meters.

**Features**

- (1) 2 types of LB1405/1415 available depending on comparator.
- (2) Bar-shaped display of input level with 5 LEDs (see right.)
- (3) Built-in LED direct drive output of constant current that supply voltage regulation causes no variation of LED current.
- (4) Wide recommended supply voltage range : 4.4 to 12.0 V
- (5) Various uses enabled by built-in DC amplifier (30dB) : 4.4 to 12.0 V
- (6) Lighting/unlighting response time variable with an external resistor, capacitor.
- (7) No variation of display output owing to built-in constant voltage circuit even in case of supply voltage regulation.
- (8) High input impedance.



[Example of VU level meter]

Comparator Level at Ta=25°C, VCC=6V, Iref=5mA, See specified test circuit.

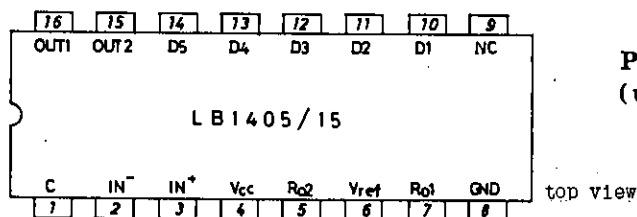
Comparator Level	Symbol	Pin No.	Conditions	LB1405			LB1415			unit
				min	typ	max	min	typ	max	
D5	GD5	Pin 14	VR02=2.6 to 3.0V, VR01=0V	1.6	2.0	2.4	5.5	6.0	6.5	dB
D4	GD4	Pin 13	VR02=2.6 to 3.0V, VR01=0V	-0.4	0	0.4	2.5	3.0	3.5	dB
D3	GD3	Pin 12	VR02=2.6 to 3.0V, VR01=0V	-3.6	-3.0	-2.4	-0.5	0	0.5	dB
D2	GD2	Pin 11	VR02=2.6 to 3.0V, VR01=0V	-8.0	-7.0	-6.0	-6.0	-5.0	-4.0	dB
D1	GD1	Pin 10	VR02=2.6 to 3.0V, VR01=0V	-17	-15	-13	-12	-10	-8	dB

[Definition of 0dB]

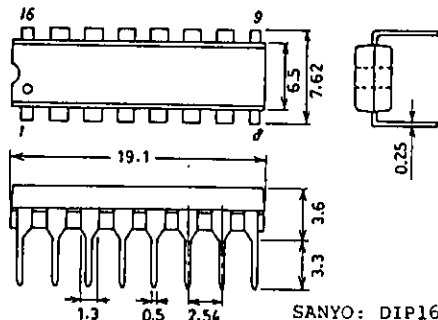
LB1405 2.37V at OUT2 is taken as 0 dB. (Voltage of R02:3V, voltage of R01:0V)

LB1415 1.50V at OUT2 is taken as 0 dB. (Voltage of R02:3V, voltage of R01:0V)

**Pin Assignment**



**Package Dimensions** 3064-D16TR  
(unit: mm)



## Absolute Maximum Ratings at Ta=25°C

Max. Supply Voltage	VCCmax	Pin 4	-0.3 to 14	V
Input Voltage	VIN	Pin 2, 3	-0.3 to 14	V
Terminal C Current	CI	Pin 1	-0.1 to 2.0	mA
Output Voltage	VOUT(1)	Pin 16	-0.3 to 12*	V
	VOUT(2)	Pin 15	-0.3 to 12	V
	VOUT	Pin 10 to 14	-0.3 to 14	V
Reference Current	Iref	Pin 6	0 to 10	mA
Allowable Power Dissipation	Pdmax	Ta=55°C(whole package)		500 mW
Operating Temperature	Topr		-10 to +60	°C
Storage Temperature	Tstg		-40 to +125	°C

\* Output terminal OUT1 is OFF and OUT2 is connected to pin 8 (GND) through 12kohms.

(Note) Do not apply more than (VCC+0.3V) to input and output pins.

(Be careful particularly when turning ON supply voltage.)

If no LED is connected to D1 to D5, connect these terminals to VCC.

## Operating Conditions at Ta=25°C

Supply Voltage	VCC	Pin 4	4.4 to 12	V
Reference Current	Iref	Pin 6	2.5 to 9	mA
Output 2 Load Resistance	RL2	Pin 15	15 to 20	kohm(Insert between OUT2 and GND.)

## Electrical Characteristics at Ta=25°C, VCC=4.4 to 12V, See specified test circuit.

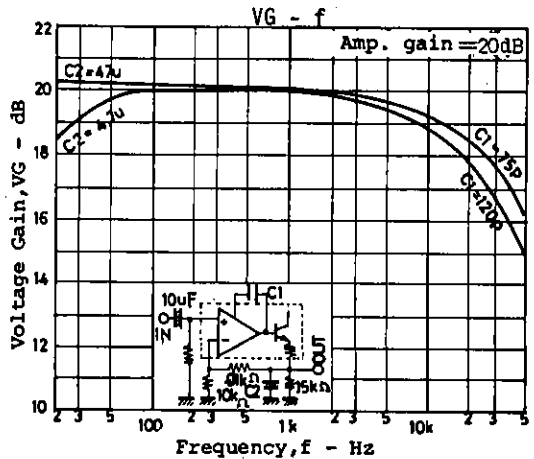
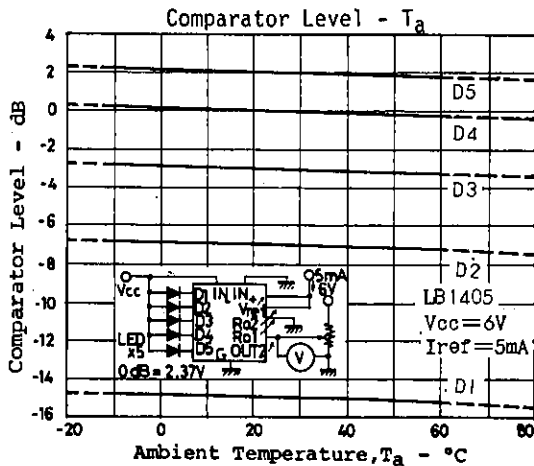
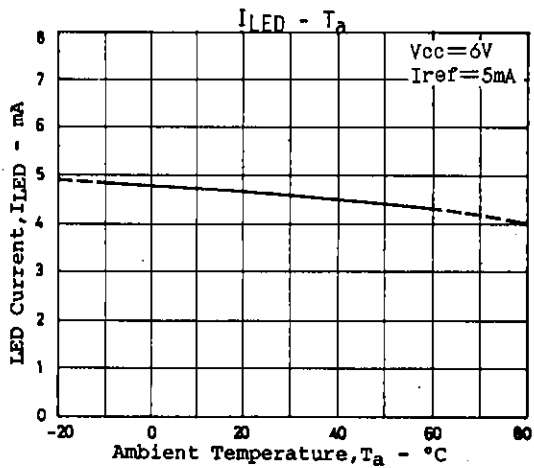
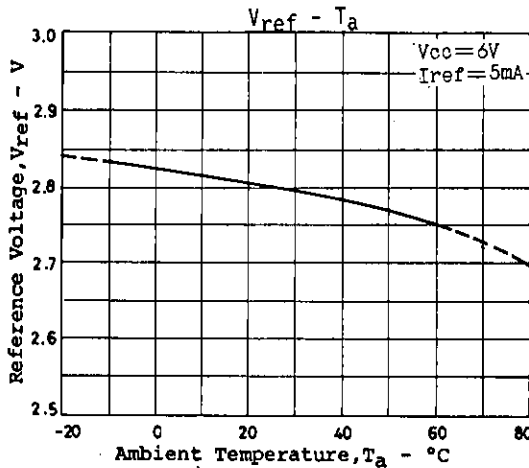
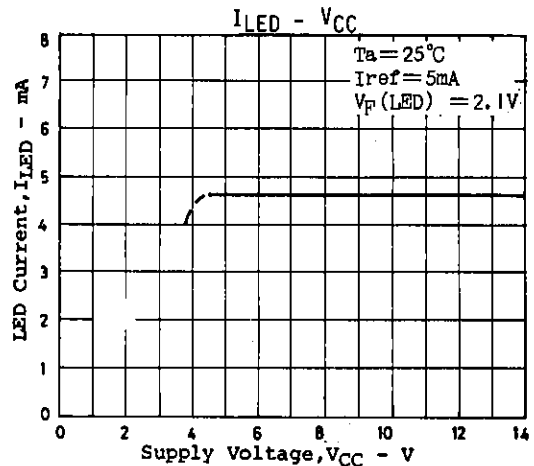
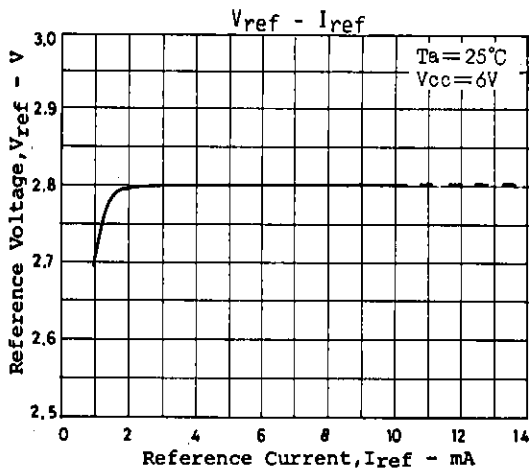
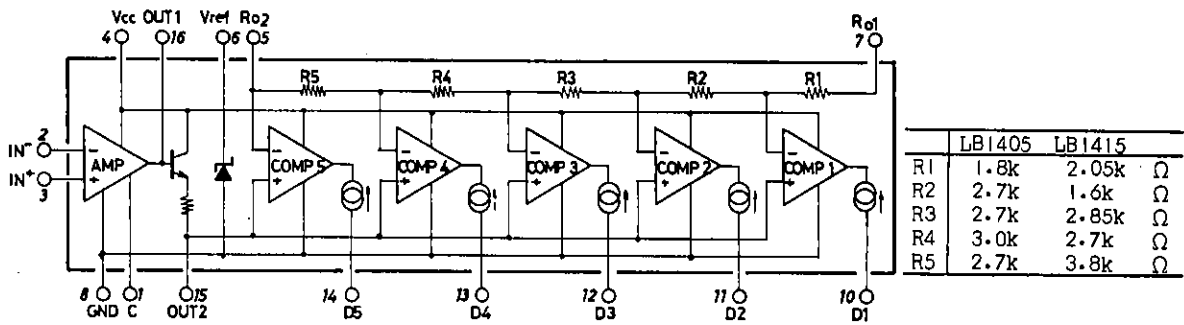
				min	typ	max	unit
Input Bias Current (Amplifier)	IIN+(A)	Pin 2	VCC=12V, VIN+=-10V, VIN-=0V, Iref=5mA	-2		0	µA
	IIN-(A)	Pin 3	VCC=12V, VIN+=0V, VIN-=10V, Iref=5mA	-2		0	µA
Input Bias Current (Comparator)	IIN+(C)	Pin 5,7	VCC=12V, VIN+=10V, VIN-=0V, VR01=0V, VR02=0V, Iref=5mA	-10		0	µA
	IIN-(C)	Pin 15	VCC=12V, VIN+=0V, VIN-=10V, VR01=VR02=Vref, Iref=5mA, VOUT2=0V	-10		0	µA
Reference Voltage	Vref	Pin 6	Iref=2.5 to 9.0mA	2.6		3.0	V
Amp Offset Voltage (Amplifier)	Voffset	Pin 15	Iref=5mA, Amp gain=20dB	-500		+500	mV
Output Flow-in Current OUT1	IOL(1)	Pin 16	VOUT1=0.5V, VIN+=0V, VIN-=4V, Iref=5mA	0.2			mA
Output Flow-out Current OUT1	IOH(1)	Pin 16	VOUT1=3.7V, VIN+=4V, VIN-=0V, Iref=5mA			-20	µA
Output Flow-out Current OUT2	IOH(2)	Pin 15	VCC=4.4V, VOUT2=0V, Iref=5mA			-3.1	mA
	IOH(2)	Pin 15	VCC=12V, VOUT2=0V, Iref=5mA			-7.0	mA
Output Flow-in Current D1 to D5	IOL(D)	Pin10 to 14	VCC=4.4V, VD1 to 5=2.3V, VIN-=0V, Iref=5mA, VIN+=3V, VR02=3V	3		7.5	mA
	IOL(D)	Pin10 to 14	VCC=12V, VD1 to 5=9.7V, VIN-=0V, Iref=5mA, VIN+=9V, VR02=9V	3		7.5	mA
Output Leak Current D1 to D5	IOH(D)	Pin10 to 14	VCC=12V, VIN+=0V, Iref=5mA, VIN-=9V, VR02=9V			50	µA
Current Dissipation	ICC	Pin 4	VCC=12V, VIN+=0V, VIN-=10V, Iref=5mA	8		15	mA
Amp Gain	VG	Open loop		30			dB

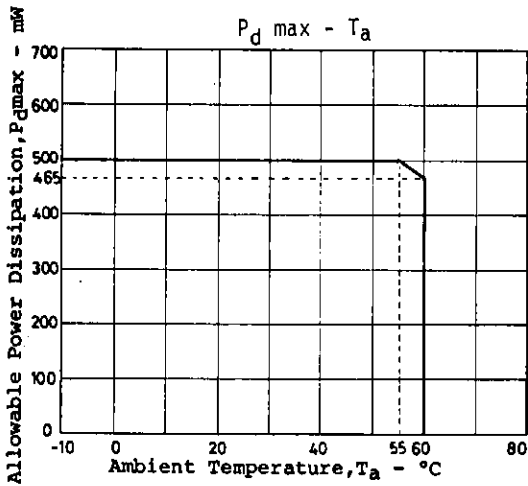
(Note) Direction of current

Plus (no sign): Flowing into IC

Minus (-): Flowing out of IC

Equivalent Circuit Block Diagram





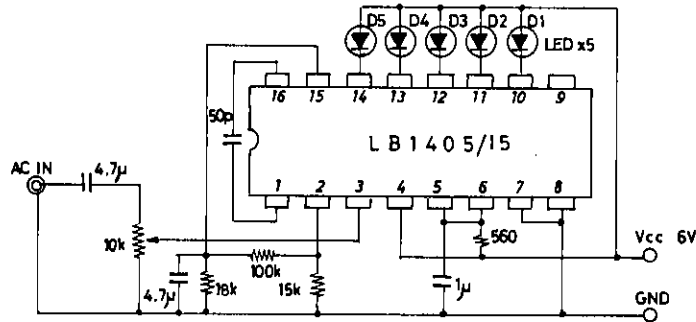
Proper cares in using the IC

- . If D output is not used, connect it to  $V_{CC}$ .
- . Apply current to  $V_{ref}$  whose voltage is used inside the IC.

Sample Application Circuits

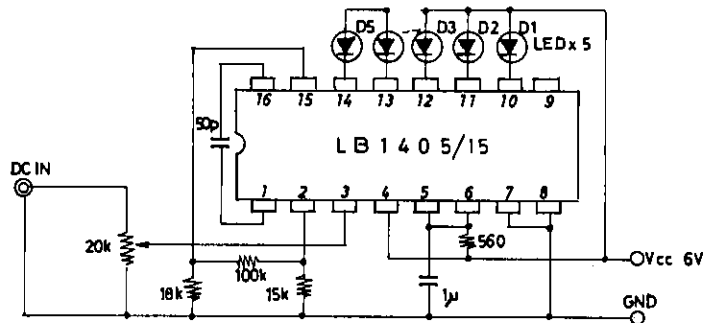
Unit (resistance:  $\Omega$ , capacitance: F)

1. VU meter

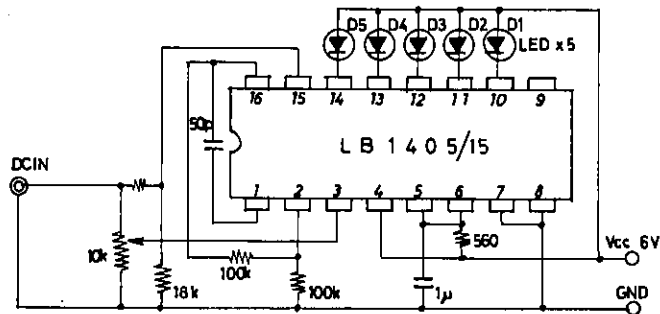


. Adjust 0dB point with the semifixed resistor of input.  
(The same applies in the following cases.)

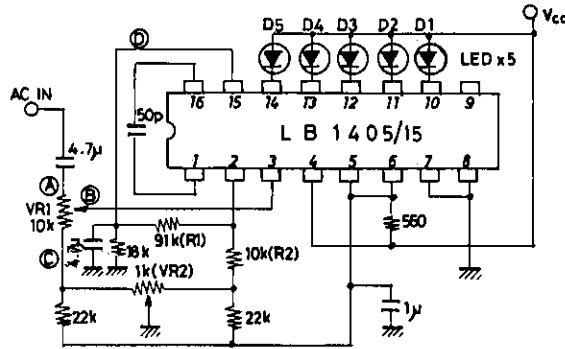
2. Signal meter



3. Zero point shift (battery voltage checker)

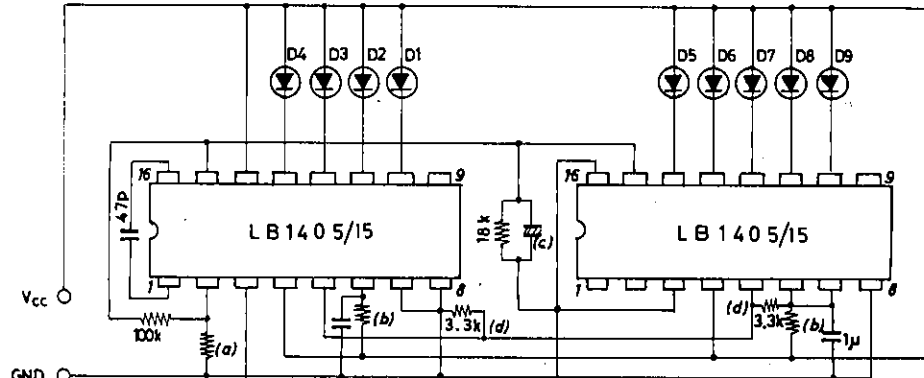


4. Offset adjust circuit (VU meter)



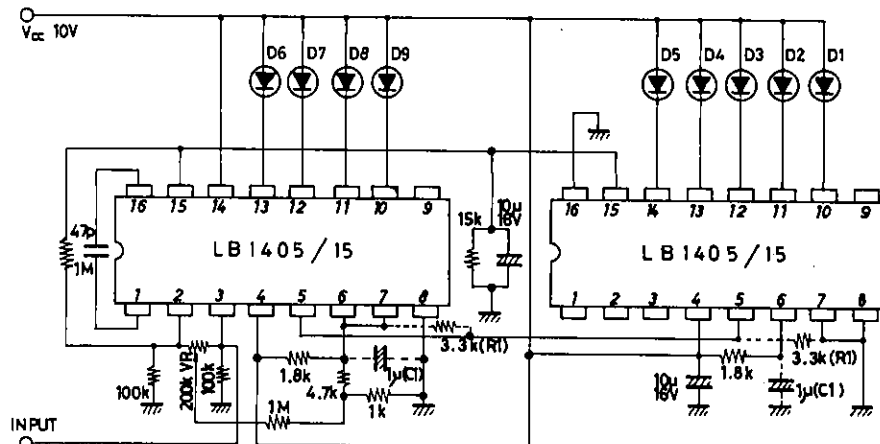
- Adjusting procedure
1. Set VR1 to ①.
  2. Make AC IN quiescent.
  3. Apply DC 50mV across pins ② and ③.
  4. Adjust VR2 so that voltage on pin ④ becomes 500mV.
  5. Remove voltage applied across pin ② and ③.
- Note: Voltage on pin ④ is  $500\text{mV} \times \frac{R1+R2}{R2}$ .

5. Display of 9 LEDs (1)



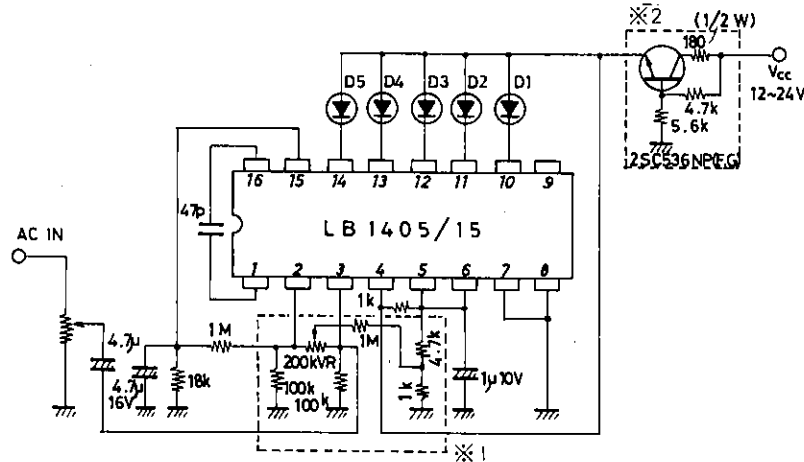
- [Note]
- (a) Resistor for adjusting LB1405 amp. gain.
  - (b) Resistor for limiting zener current (depending on Vcc).
  - (c) Capacitor (1 to 100 μF) for adjusting response time.
  - (d) For adjusting variation of comparator level between 2 ICs.

6. Display of 9 LEDs (2)



- Note VR: For adjusting offset voltage  
 C1: Desirable to use for preventing oscillation of Vref.  
 R1: Desirable to use for adjusting variation of comparator level between 2 ICs.

7. VU meter used at  $V_{CC}=12$  to  $24$  V

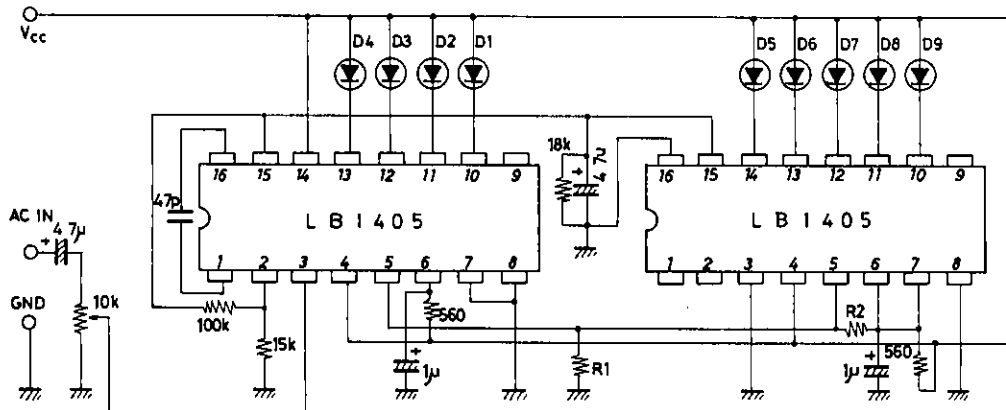


- ※1 Offset adjust circuit of input amp.
- ※2 Circuit for dropping supply voltage applied to IC.

8. Cascade connection

This is an example of cascade connection where external resistors are used between  $R_{O1}$  and  $R_{O2}$ . The comparator level is mainly described. For offset adjust circuit of input amp, refer to 4 or 7.

. 2-pc. cascade connection



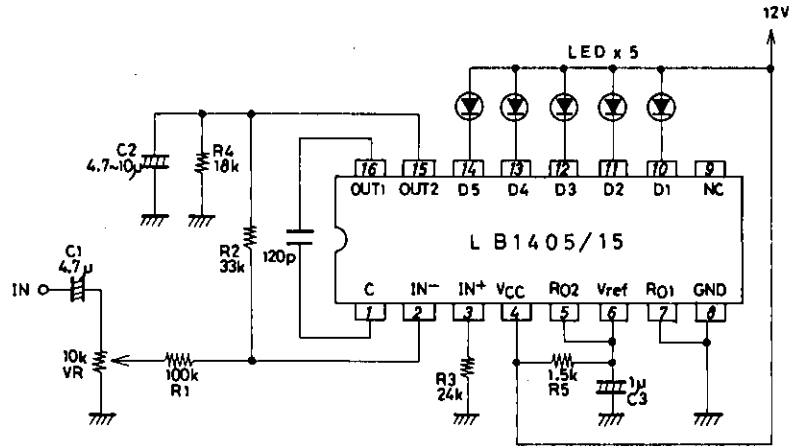
- 1) Comparator level at  $R_1=R_2=3.3k$  (Error of resistance ratio of  $R_1$ ,  $R_2$  is desirable to be less than 1%.)

LED No.	D1	D2	D3	D4	D5	D6	D7	D8	D9
dB (typ.)	-19	-11	-6.5	-3.7	-1.6	0	+1.5	+2.7	+3.7

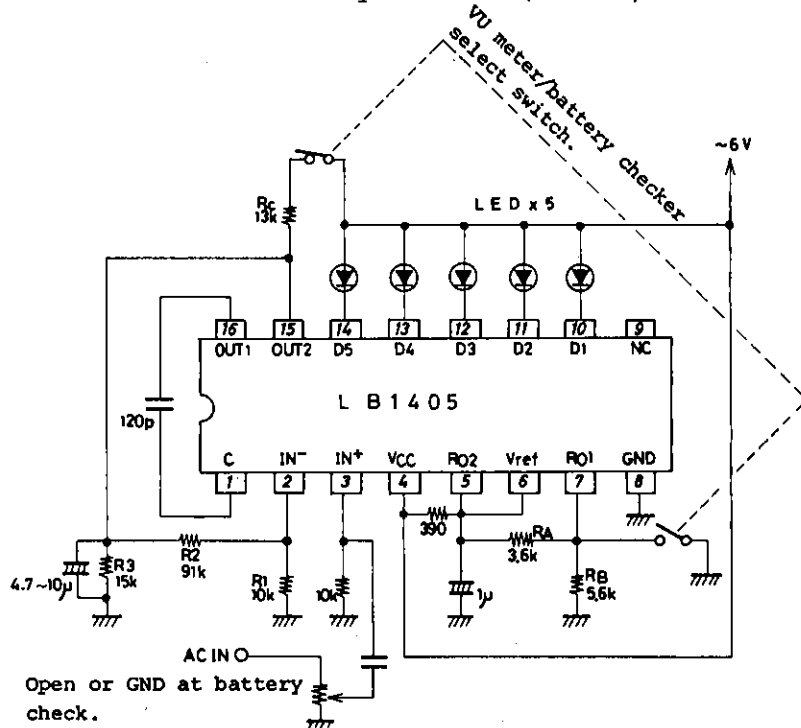
- 2) Comparator level at  $R_1=3k, R_2=2k$  (Error of resistance ratio of  $R_1$ ,  $R_2$  is desirable to be less than 1%.)

LED No.	D1	D2	D3	D4	D5	D6	D7	D8	D9
dB (typ.)	-18	-10	-6.5	-3	-1.2	0	+1	+2	+3

9. Circuit where speaker output of audio amp is input  
 Full scale at 7 V<sub>rms</sub> input



10. Circuit for both VU meter and battery checker (6V set)



Operation at battery check (Error of R<sub>A</sub>, R<sub>B</sub> is 5% considering variation of IC.)

Lighting-on Level	Battery voltage			unit
	min	typ	max	
D <sub>1</sub> lighted	3.5	4.0	4.5	V
D <sub>2</sub> lighted	3.9	4.4	4.9	V
D <sub>3</sub> lighted	4.3	4.8	5.3	v
D <sub>4</sub> lighted	4.7	5.2	5.7	V
D <sub>5</sub> lighted	5.1	5.6	6.1	V

If R<sub>C</sub>, R<sub>B</sub> are adjusted as semifixed resistor, error will be further reduced.

- No products described or contained herein are intended for use in surgical implants, life-support systems, aerospace equipment, nuclear power control systems, vehicles, disaster/crime-prevention equipment and the like, the failure of which may directly or indirectly cause injury, death or property loss.
- Anyone purchasing any products described or contained herein for an above-mentioned use shall:
  - ① Accept full responsibility and indemnify and defend SANYO ELECTRIC CO., LTD., its affiliates, subsidiaries and distributors and all their officers and employees, jointly and severally, against any and all claims and litigation and all damages, cost and expenses associated with such use;
  - ② Not impose any responsibility for any fault or negligence which may be cited in any such claim or litigation on SANYO ELECTRIC CO., LTD., its affiliates, subsidiaries and distributors or any of their officers and employees jointly or severally.
- Information (including circuit diagrams and circuit parameters) herein is for example only; it is not guaranteed for volume production. SANYO believes information herein is accurate and reliable, but no guarantees are made or implied regarding its use or any infringements of intellectual property rights or other rights of third parties.