

Advance Product Information

VSC7133

10-bit Transceiver for Fibre Channel and Gigabit Ethernet

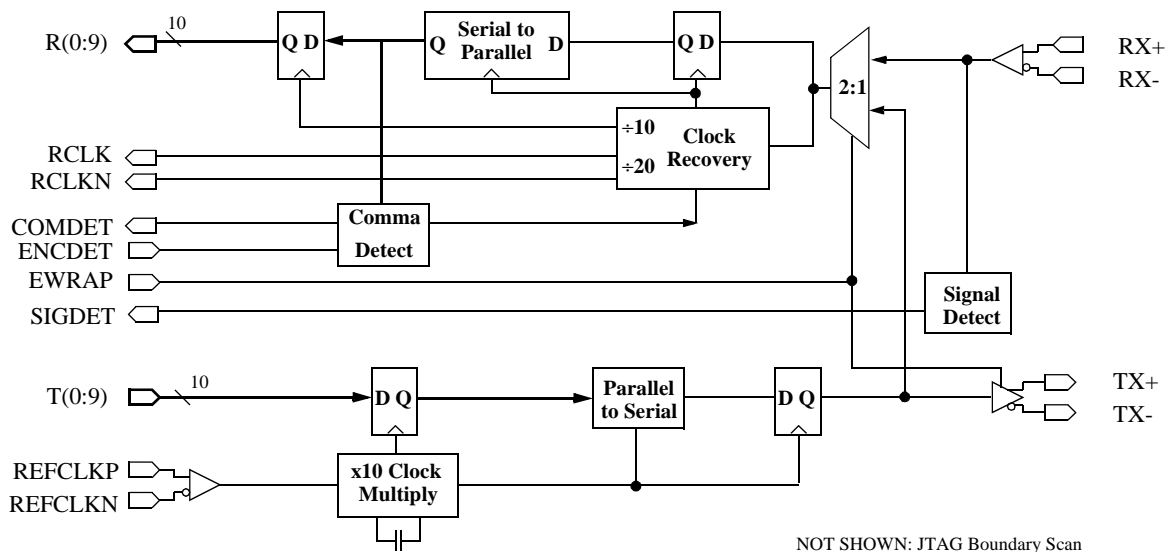
Features

- 802.3z Gigabit Ethernet Compliant 1.25 Gb/s Transceiver
- ANSI X3T11 Fibre Channel Compliant 1.0625 Gb/s Transceiver
- 0.98 to 1.36 Gb/s Full Duplex Operation
- 10 Bit TTL Interface for Transmit and Receive Data
- TTL or PECL Reference Clock
- Automatic Lock-to-Reference
- RX Cable Equalization and Signal Detect
- JTAG Access Port for Testability
- 64-pin, 10mm PQFP Packaging
- Single +3.3V Supply, 650 mW

General Description

The VSC7133 is a full-speed Fibre Channel and Gigabit Ethernet Transceiver with industry-standard pinouts. It accepts 10-bit 8B/10B encoded transmit data, latches it on the rising edge of the TTL/PECL REFCLK and serializes it onto the TX PECL differential outputs at a baud rate which is ten times the REFCLK frequency. Serial data input on the RX PECL differential inputs is resampled by the Clock Recovery Unit, deserialized onto the 10-bit receive data bus synchronously to complementary divide-by-twenty clocks. The VSC7133 receiver detects “Comma” characters for frame alignment. An analog/digital signal detection circuit indicates that a valid signal is present on the RX input. A cable equalizer compensates for Inter Symbol Interference in order to increase maximum cable distances. The VSC7133 contains PLL circuitry for synthesis of the baud-rate transmit clock, and extraction of the clock from the received serial stream. The VSC7133 is similar to the VSC7123 but has either a TTL or a PECL reference clock.

VSC7133 Block Diagram



Functional Description

Clock Synthesizer

The VSC7133 clock synthesizer multiplies the reference frequency provided on the REFCLK pin by 10 to achieve a baud rate clock between 0.98 and 1.36 GHz. The on-chip PLL uses a single external 0.1uF capacitor to control the Loop Filter. The REFCLK is either TTL or LV PECL. If TTL, connect the TTL input to REFLKP and leave REFCLKN open, it is biased for a TTL switch level. If PECL, connect both REFCLKP and REFCLKN.

Serializer

The VSC7133 accepts TTL input data as a parallel 10 bit character on the T(0:9) bus, which is latched into the input register on the rising edge of REFCLK. This data is serialized and transmitted on the TX PECL differential outputs at a baud rate that is ten times the frequency of the REFCLK, with bit T0 transmitted first. User data should be encoded using 8B/10B block code or equivalent.

Transmission Character Interface

An encoded byte is 10 bits and is referred to as a transmission character. The 10 bit interface on the VSC7133 corresponds to a transmission character. This mapping is illustrated in Figure 1.

Figure 1: Transmission Order and Mapping of an 8B/10B Character

Parallel Data Bits	T9	T8	T7	T6	T5	T4	T3	T2	T1	T0
8B/10B Bit Position	j	h	g	f	i	e	d	c	b	a
Comma Character	X	X	X	1	1	1	1	1	0	0

Clock Recovery

The VSC7133 accepts differential high speed serial inputs on the RX+/RX- pins, extracts the clock and retimes the data. Equalizers are included in the receiver to open the data eye and compensate for InterSymbol Interference (ISI) which may be present in the incoming data. The serial bit stream should be encoded so as to provide DC balance and limited run length by an 8B/10B encoding scheme. The Clock Recovery Unit (CRU) is completely monolithic and requires no external components. For proper operation, the baud rate of the data stream to be recovered should be within +200 ppm of ten times the REFCLK frequency. For example, Gigabit Ethernet systems would use 125 MHz oscillators with a +/-100ppm accuracy resulting in +/-200 ppm between VSC7133 pairs.

Advance Product Information

VSC7133

10-bit Transceiver for Fibre
Channel and Gigabit Ethernet

Deserializer

The recovered serial bit stream is converted into a 10-bit parallel output character. The VSC7133 provides complementary TTL recovered clocks, RCLK and RCLKN, which are one twentieth of the serial baud rate. The clocks are generated by dividing down the high-speed recovered clock which is phase locked to the serial data. The serial data is retimed, deserialized and output on R(0:9). The parallel data will be captured by the adjoining protocol logic on the rising edges of RCLK and RCLKN.

If serial input data is not present, or does not meet the required baud rate, the VSC7133 will continue to produce a recovered clock so that downstream logic may continue to function. The RCLK/RCLKN output frequency under these circumstances will differ from its expected frequency by no more than +1%.

Word Alignment

The VSC7133 provides 7-bit comma character recognition and data word alignment. Word synchronization is enabled by asserting ENCDDET HIGH. When synchronization is enabled, the receiver examines the recovered serial data for the presence of the “Comma” character. This pattern is “0011111XXX”, where the leading zero corresponds to the first bit received. The comma sequence is not contained in any normal 8B/10B coded data character or pair of adjacent characters. It occurs only within special characters, known as K28.1, K28.5 and K28.7, which are defined for synchronization purposes. Improper alignment of the comma character is defined as any of the following conditions:

- 1) The comma is not aligned within the 10-bit transmission character such that R(0..6) = “0011111”.
- 2) The comma straddles the boundary between two 10-bit transmission characters.
- 3) The comma is properly aligned but occurs in the received character presented during the rising edge of RCLK rather than RCLKN.

When ENCDDET is HIGH and an improperly aligned comma is encountered, the recovered clock is stretched, never slivered, so that the comma character and recovered clocks are aligned properly to R(0:9). This results in proper character and word alignment. When the parallel data alignment changes in response to a improperly aligned comma pattern, some data which would have been presented on the parallel output port may be lost. Also, the first Comma pattern may be lost or corrupted. Subsequent data will be output correctly and properly aligned. When ENCDDET is LOW, the current alignment of the serial data is maintained indefinitely, regardless of data pattern.

On encountering a comma character, COMDET is driven HIGH. The COMDET pulse is presented simultaneously with the comma character and has a duration equal to the data, or half of an RCLK period. The COMDET signal is timed such that it can be captured by the adjoining protocol logic on the rising edge of RCLKN. Functional waveforms for synchronization are given in Figure 2 and Figure 3. Figure 2 shows the case when a comma character is detected and no phase adjustment is necessary. It illustrates the position of the COMDET pulse in relation to the comma character on R(0:9). Figure 3 shows the case where the K28.5 is detected, but it is misaligned so a change in the output data alignment is required. Note that up to three characters prior to the comma character may be corrupted by the realignment process.

Signal Detection:

The receiver has an output, SIGDET, indicating, when HIGH, that the RX input contains a valid Fibre Channel or Gigabit Ethernet signal. A combination of one analog and three digital checks are used to determine if the incoming signal contains valid data. SIGDET is updated every four RCLKs. If during the current period, all the four criteria are met, SIGDET will be HIGH during the next 4 RCLK period. If during the current period, any of the four criteria is not met, SIGDET will be LOW during the next 4 RCLK period.

1.) Analog transition detection is performed on the input to verify that the signal swings are of adequate amplitude. The RX+/- input buffer contains a differential voltage comparator which will go high if the differential peak-to-peak amplitude is greater than 400mV or LOW if under 200mV. If the amplitude is between 200 and 400mV, the output is indeterminate.

2.) Data on R(0:9) is monitored for all zeros (0000000000). If this pattern is encountered during the current RCLK interval, the SIGDET output will go LOW during the next four RCLK interval.

3.) Data on R(0:9) is monitored for all ones (1111111111). If this pattern is encountered during the current RCLK interval, the SIGDET output will go LOW during the next four RCLK interval.

4.) Data on R(0:9) is monitored for K28.5- (001111010). Unlike previous patterns, the interval during which a K28.5- must occur is 64K+24 10-bit characters in length. Valid Fibre Channel or Gigabit Ethernet data will contain a K28.5- character during any period of this length. If a K28.5- is not detected during the monitoring period, SIGDET will go LOW during the next period.

The behavior of SIGDET is affected by EWRAP and ENCDDET as shown below.

Table 1: Signal Detect Behaviour

<i>EWRAP</i>	<i>ENCDDET</i>	<i>Transition Detect</i>	<i>All Zeros/ All Ones</i>	<i>K28.5 Presence</i>	<i>Mode</i>
0	0	Enabled	Enabled	Enabled	Normal
0	1	Enabled	Enabled	Disabled	COMDET Disable
1	0	Enabled	Disabled	Disabled	Loopback
1	1	Enabled	Disabled	Disabled	Loopback

COMDET, RCLK, RCLKN and R(0:9) are unaltered by SIGDET.

JTAG Access Port

A JTAG Access Port is provided to assist in board-level testing. Through this port most pins can be accessed or controlled and all TTL outputs can be tri-stated. A full description of the JTAG functions on this device is available in “VSC7123/VSC7133 JTAG Access Port Functionality”.

Figure 2: Detection of a Properly Aligned Comma Character

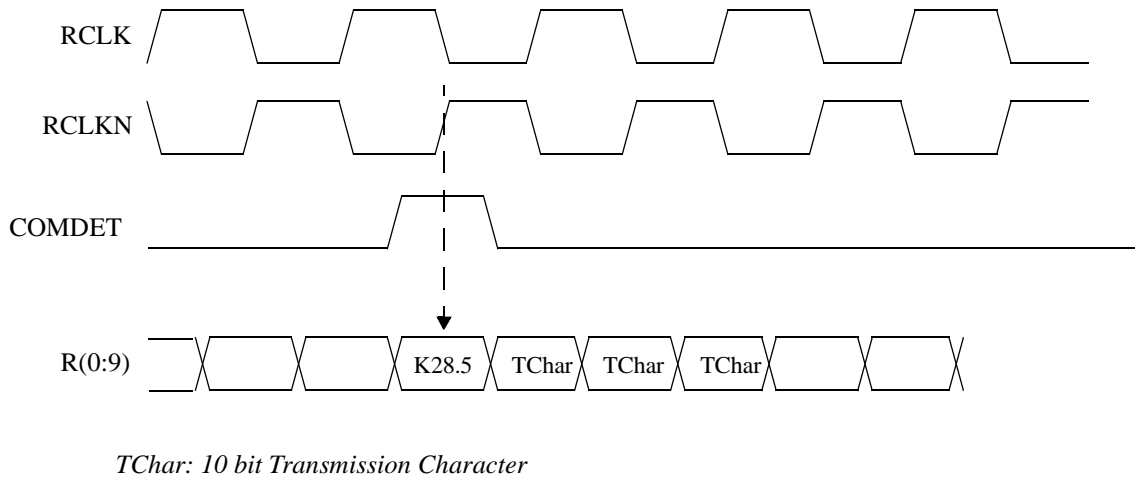
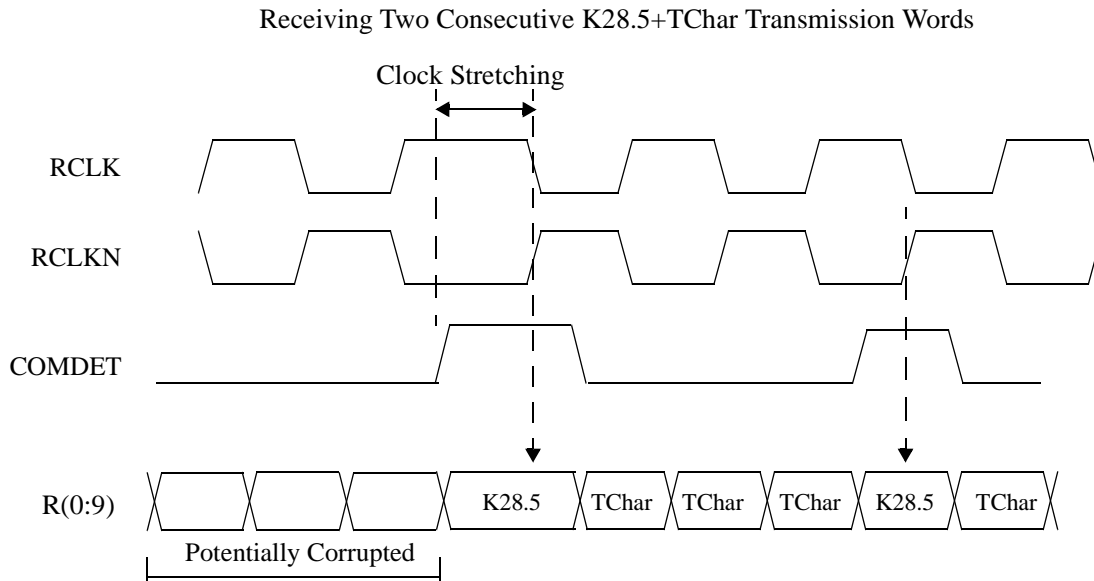


Figure 3: Detection and Resynchronization of an Improperly Aligned Comma



AC Characteristics

Figure 4: Transmit Timing Waveforms

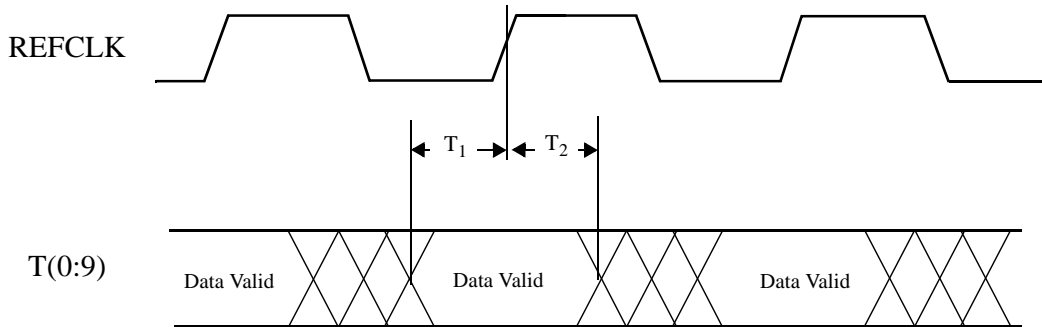


Table 2: Transmit AC Characteristics

Parameters	Description	Min	Max	Units	Conditions
T ₁	T(0:9) Setup time to the rising edge of REFCLK	1.5	—	ns.	Measured between the valid data level of T(0:9) to the 1.4V point of REFCLK
T ₂	T(0:9) hold time after the rising edge of REFCLK	1.0	—	ns.	
T _{SDR} , T _{SDF}	TX+/TX- rise and fall time	—	300	ps.	20% to 80%, 50 Ohm load to V _{DD} -2.0
T _{LAT}	Latency from rising edge of REFCLK to T0 appearing on TX+/TX-	8bc	8bc+ 4ns	ns	bc = Bit clocks ns = Nano second
Transmitter Output Jitter Allocation					
T _J	Total data output jitter	—	192	ps.	IEEE 802.3z Clause 38.68,
T _{DJ}	Serial data output deterministic jitter (p-p)	—	80	ps.	IEEE 802.3z Clause 38.68,

Advance Product Information

VSC7133

10-bit Transceiver for Fibre Channel and Gigabit Ethernet

Figure 5: Receive Timing Waveforms

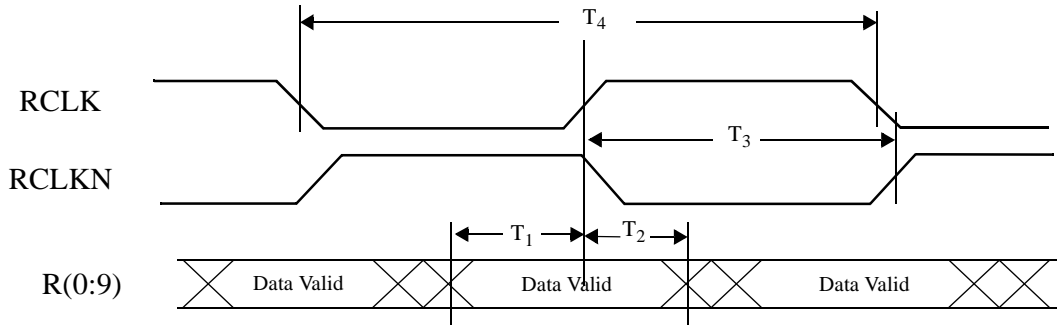


Table 3: Receive AC Characteristics

Parameters	Description	Min.	Max.	Units	Conditions
T_1	TTL Outputs Valid prior to RCLK/RCLKN rise	4.0 3.0	— —	ns	@ 1.0625Gb/s @ 1.25Gb/s
T_2	TTL Outputs Valid after RCLK or RCLKN rise	3.0 2.0	— —	ns	@ 1.0625Gb/s @ 1.25Gb/s
T_3	Delay between rising edge of RCLK to rising edge of RCLKN	$10 \times T_{RX} - 500$	$10 \times T_{RX} + 500$	ps	T_{RX} is the bit period of the incoming data on Rx.
T_4	Period of RCLK and RCLKN	$1.98 \times T_{REFCLK}$	$2.02 \times T_{REFCLK}$	ps	Whether or not locked to serial data.
T_R, T_F	R(0:9), COMDET, SIGDET, RCLK and RCLKN rise and fall time	—	2.4	ns	Between $V_{IL(MAX)}$ and $V_{IH(MIN)}$, into 10 pf. load.
R_{LAT}	Latency from RX to R(0:9)	12 bc + 1 ns	13 bc + 9 ns	bc ns	bc = Bit clock ns = Nano second
T_{LOCK}^*	Data acquisition lock time	—	1400	bc	8B/10B IDLE pattern. bc= bit clocks
* Note: Probability of recovery for data acquisition is 95% per Section 5.3 of FC-PH rev. 4.3					

Figure 6: REFCLK Timing Waveforms

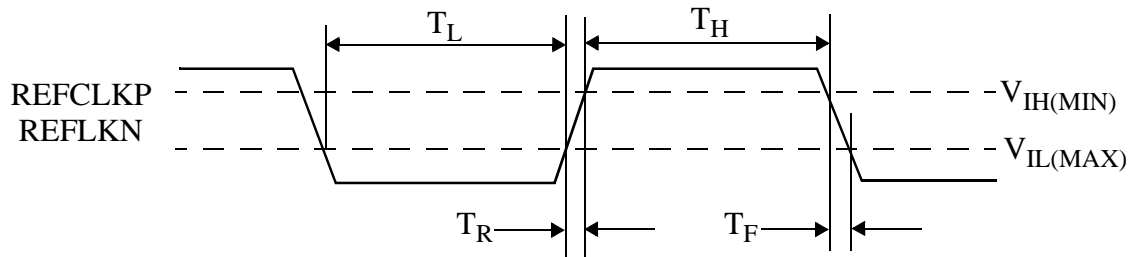


Table 4: Reference Clock Requirements

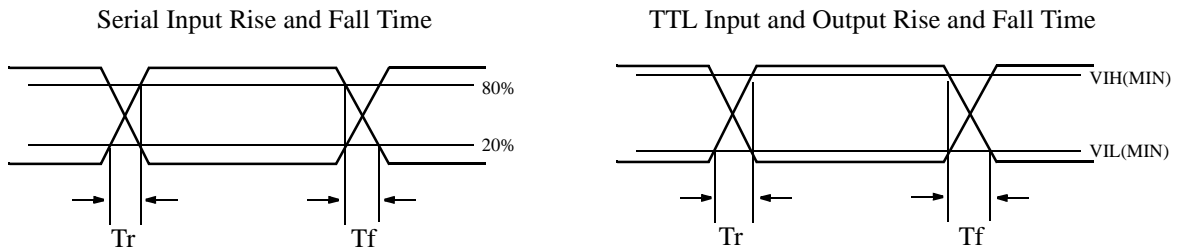
Parameter	Description	Min	Max	Units	Conditions
FR	Frequency Range	98	136	MHz	Range over which both transmit and receive reference clocks on any link may be centered
FO	Frequency Offset	-200	200	ppm.	Maximum frequency offset between transmit and receive reference clocks on one link
DC	REFCLK duty cycle	35	65	%	Measured at 1.5V
T_R, T_F	REFCLK rise and fall time	—	1.5	ns.	Between $V_{IL(MAX)}$ and $V_{IH(MIN)}$

Advance Product Information

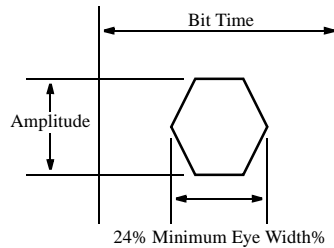
VSC7133

10-bit Transceiver for Fibre Channel and Gigabit Ethernet

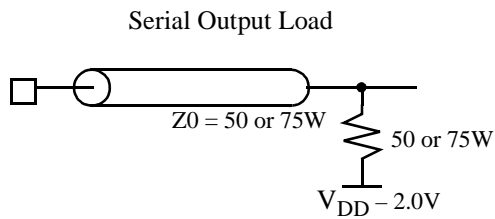
Figure 7: Parametric Measurement Information



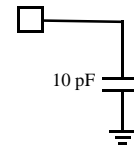
Receiver Input Eye Diagram Jitter Tolerance Mask



Parametric Test Load Circuit



TTL A.C. Output Load



Absolute Maximum Ratings ⁽¹⁾

Power Supply Voltage, (V _{DD})	-0.5V to +4V
DC Input Voltage (PECL inputs).....	-0.5V to V _{DD} +0.5V
DC Input Voltage (TTL inputs).....	-0.5V to +5.5V
DC Output Voltage (TTL Outputs).....	-0.5V to V _{DD} + 0.5V
Output Current (TTL Outputs)	+/-50mA
Output Current (PECL Outputs).....	+/-50mA
Case Temperature Under Bias	-55° to +125°C
Storage Temperature.....	-65°C to +150°C
Maximum Input ESD (Human Body Model).....	2000 V
Maximum Input ESD (Charge Device Model)	1000 V

Recommended Operating Conditions

Power Supply Voltage, (V _{DD})	+3.3V±5%
Operating Temperature Range	0°C Ambient to +95°C Case Temperature

Notes:

(1) CAUTION: Stresses listed under “Absolute Maximum Ratings” may be applied to devices one at a time without causing permanent damage. Functionality at or above the values listed is not implied. Exposure to these values for extended periods may affect device reliability.

Advance Product Information

VSC7133

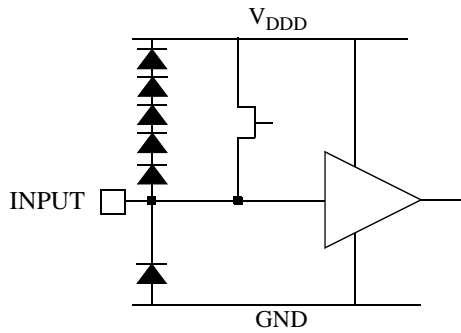
10-bit Transceiver for Fibre Channel and Gigabit Ethernet

DC Characteristics (Over recommended operating conditions).

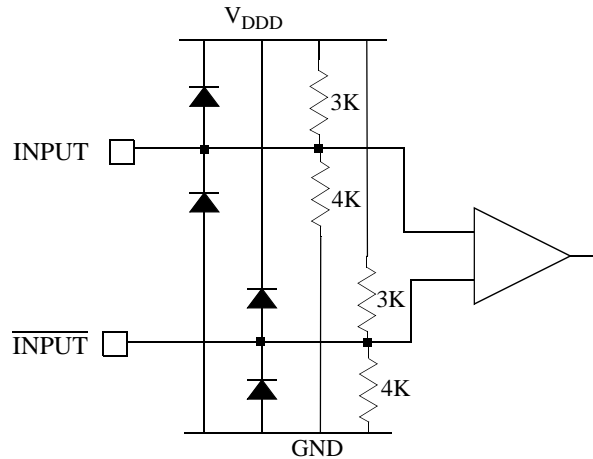
Parameters	Description	Min	Typ	Max	Units	Conditions
V_{OH}	Output HIGH voltage (TTL)	2.4	—	—	V	$I_{OH} = -1.0 \text{ mA}$
V_{OL}	Output LOW voltage (TTL)	—	—	0.5	V	$I_{OL} = +1.0 \text{ mA}$
V_{IH}	Input HIGH voltage (TTL)	2.0	—	5.5	V	5V Tolerant Inputs
V_{IL}	Input LOW voltage (TTL)	0	—	0.8	V	—
I_{IH}	Input HIGH current (TTL)	—	50	500	μA	$V_{IN} = 2.4\text{V}$
I_{IL}	Input LOW current (TTL)	—	—	-500	μA	$V_{IN} = 0.5\text{V}$
ΔV_{OUT75}^1	TX Output differential peak-to-peak voltage swing	1200	—	2200	mVp-p	75Ω to $V_{DD} - 2.0 \text{ V}$ (TX+) - (TX-)
ΔV_{OUT50}^1	TX Output differential peak-to-peak voltage swing	1000	—	2200	mVp-p	50Ω to $V_{DD} - 2.0 \text{ V}$ (TX+) - (TX-)
ΔV_{IN}^1	RX Input differential peak-to-peak input sensitivity	300	—	2600	mVp-p	Internally biased to $V_{DD}/2$ (RX+) - (RX-)
V_{DD}	Supply voltage	3.14	—	3.47	V	$3.3\text{V} \pm 5\%$
P_D	Power dissipation	—	650	900	mW	Outputs open, $V_{DD} = V_{DD \text{ max}}$
I_{DD}	Supply Current (All Supplies)	—	190	260	mA	Outputs open, $V_{DD} = V_{DD \text{ max}}$
I_{DDA}	Analog Supply Current	—	—	100	mA	$V_{DDA} = V_{DDA \text{ max}}$

¹ NOTE: Refer to Application Note, AN-37, for differential measurement techniques.

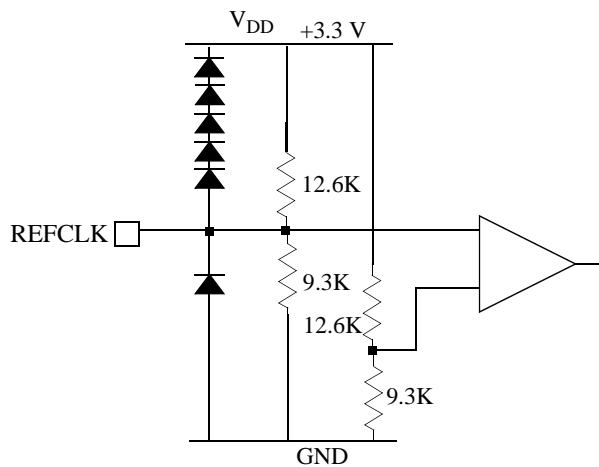
Figure 8: Input Structures



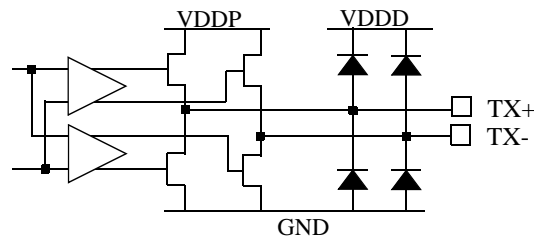
TTL Inputs (not REFCLK)



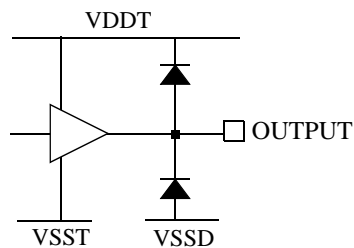
High Speed Input (RX+/RX-)



REFCLK TTL Input



Hi Speed Outputs (TX+/-)



TTL Outputs

Advance Product Information

VSC7133

10-bit Transceiver for Fibre Channel and Gigabit Ethernet

Package Pin Descriptions

Figure 9: Pin Diagram

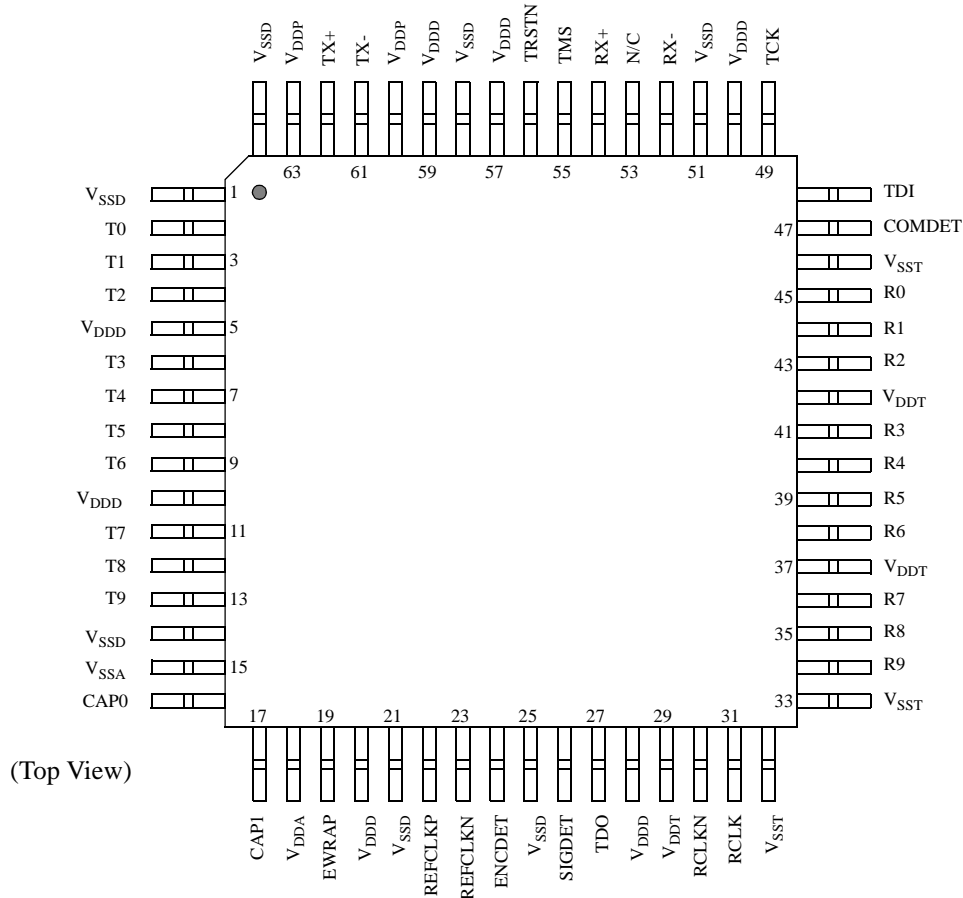


Table 5: Pin Identification

Pin #	Name	Description
2,3,4,6	T0,T1,T2,T3	INPUTS - TTL 10-bit transmit character. Parallel data on this bus is clocked in on the rising edge of REFCLK. The data bit corresponding to T0 is transmitted first.
7,8,9,11	T4,T5,T6,T7	
12,13	T8,T9	

Table 5: Pin Identification

Pin #	Name	Description
22 23	REFCLKP REFCLKN	INPUT - Differential PECL or Single-Ended TTL This rising edge of this clock latches T(0:9) into the input register. It also provides the reference clock, at one tenth the baud rate to the PLL. If TTL, connect to REFCLKP but leave REFCLKN open. If PECL, connect both REFCLKP and REFCLKN.
62, 61	TX+, TX-	OUTPUTS - Differential PECL (AC Coupling recommended) These pins output the serialized transmit data when EWRAP is LOW. When EWRAP is HIGH, TX+ is HIGH and TX- is LOW.
45,44,43,41 40,39,38,36 35,34	R0,R1,R2,R3 R4,R5,R6,R7 R8,R9	OUTPUTS - TTL 10-bit received character. Parallel data on this bus is clocked out on the rising edges of RCLK and RCLKN. R0 is the first bit received on RX+/RX-.
19	EWRAP	INPUT - TTL LOW for Normal Operation. When HIGH, an internal loopback path from the transmitter to the receiver is enabled and the TX outputs are held HIGH.
54, 52	RX+, RX-	INPUTS - Differential PECL (AC Coupling recommended) The serial receive data inputs selected when EWRAP is LOW. Internally biased to VDD/2, with 3.3KΩ resistors from each input pin to VDD and GND.
31, 30	RCLK, RCLKN	OUTPUT - Complementary TTL Recovered clocks derived from one twentieth of the RX+/- data stream. Each rising transition of RCLK or RCLKN corresponds to a new word on R(0:9).
24	ENCDET	INPUT - TTL Enables COMDET and word resynchronization when HIGH. When LOW, keeps current word alignment and disables COMDET.
47	COMDET	OUTPUT - TTL This output goes HIGH for half of an RCLK period to indicate that R(0:9) contains a Comma Character ('0011111XXX'). COMDET will go HIGH only during a cycle when RCLKN is rising. COMDET is enabled by ENCDET being HIGH.
26	SIGDET	OUTPUT - TTL SIGnal DETect. This output goes HIGH when the RX input contains a valid Fibre Channel or Gigabit Ethernet signal. A LOW indicates an invalid signal.
16, 17	CAP0, CAP1	ANALOG: Differential capacitor for the CMU's VCO. 0.1 uF nominal.
49	TCK	INPUT - TTL: JTAG clock input. Not normally connected.
48	TDI	INPUT - TTL: JTAG data input. Not normally connected.
55	TMS	INPUT - TTL: JTAG mode select input. Normally tied to V _{DD}
56	TRSTN	INPUT - TLL: JTAG reset input. Tie to V _{SSD} for normal operation.
27	TDO	OUTPU - TTL: JTAG data output. Normally tri-stated.
18	VDDA	Analog Power Supply.

Advance Product Information

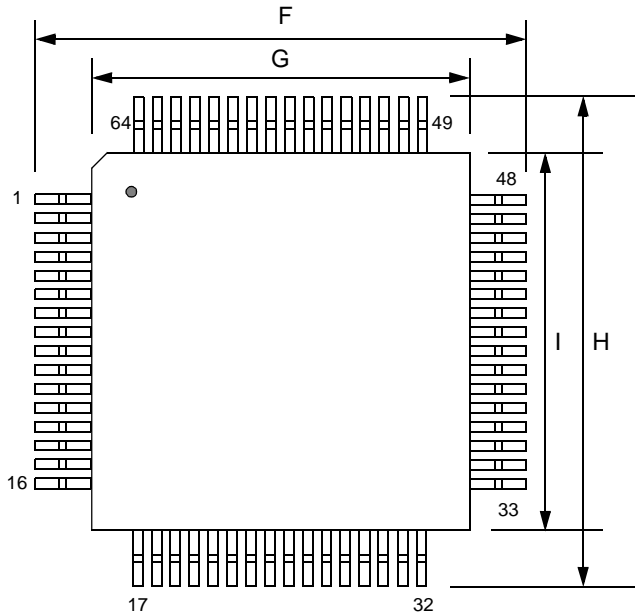
VSC7133

10-bit Transceiver for Fibre
Channel and Gigabit Ethernet

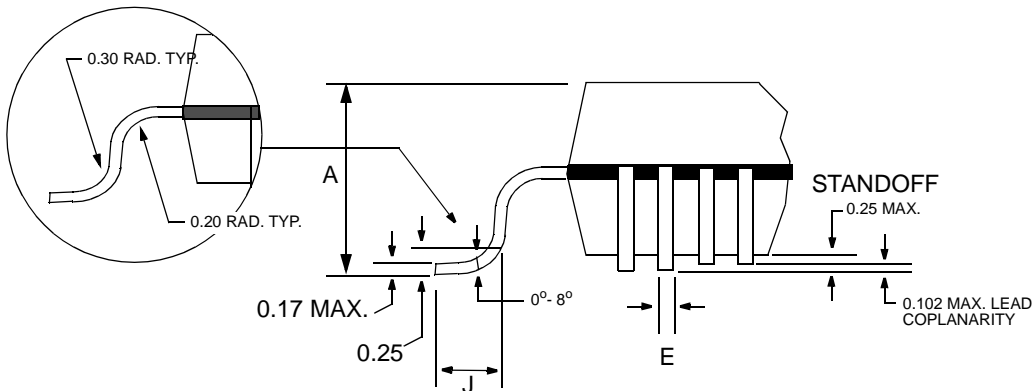
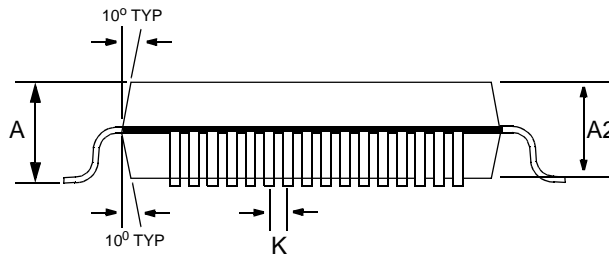
Table 5: Pin Identification

<i>Pin #</i>	<i>Name</i>	<i>Description</i>
15	VSSA	Analog Ground
5,10,20,28 50,57,59	VDDD	Digital Logic Power Supply
1,14,21,25 51,58,64	VSSD	Digital Logic Ground
29, 37, 42	VDDT	TTL Output Power Supply
32, 33, 46	VSST	TTL Output Ground
60,63	VDDP	PECL I/O Power Supply
53	N/C	No Connection.

Package Information: 64-pin PQFP



Item	10 mm	Tolerance
A	2.45	MAX
A2	2.00	+0.10/-0.05
E	0.22	±0.05
F	13.20	±0.25
G	10.00	±0.10
H	13.20	±0.25
I	10.00	±0.10
J	0.88	+0.15/-0.10
K	0.50	BASIC



NOTES:

Drawing not to scale.

All units in mm unless otherwise noted.

Advance Product Information

VSC7133

10-bit Transceiver for Fibre Channel and Gigabit Ethernet

Thermal Considerations

The VSC7133 is packaged in a 10mm, thermally enhanced PQFP with an internal heat spreader. These packages use industry-standard EIAJ footprints, but have been enhanced to improve thermal dissipation. The construction of the packages are shown below.

Figure 10: Package Cross Section

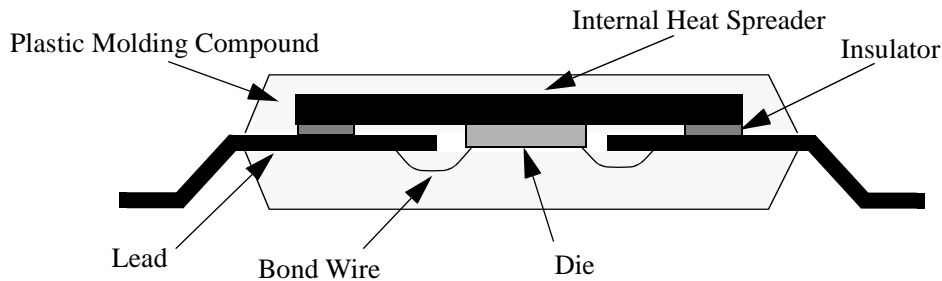


Table 6: Thermal Resistance

<i>Symbol</i>	<i>Description</i>	<i>10mm</i>	<i>Units</i>
θ_{jc}	Thermal resistance from junction to case	10	°C/W
θ_{ca}	Thermal resistance from case to ambient in still air including conduction through the leads.	50	°C/W
θ_{ca-100}	Thermal resistance from case to ambient with 100 LFM airflow	41	°C/W
θ_{ca-200}	Thermal resistance from case to ambient with 200 LFM airflow	37	°C/W
θ_{ca-400}	Thermal resistance from case to ambient with 400 LFM airflow	32	°C/W
θ_{ca-600}	Thermal resistance from case to ambient with 600 LFM airflow	28	°C/W

The VSC7133 is designed to operate with a case temperature up to 95°C. The user must guarantee that the case temperature specification is not violated. With the thermal resistances shown above, the 10mm Thermally Enhanced PQFP can operate in still air ambient temperatures of 50°C [50°C = 95°C - 0.9W * 50]. If the ambient air temperature exceeds these limits then some form of cooling through a heatsink or an increase in airflow must be provided.

Moisture Sensitivity Level

This device is rated at with a Moisture Sensitivity Level 3 rating. Refer to Application Note AN-20 for appropriate handling procedures.

Ordering Information

The part number for this product is formed by a combination of the device number and the package style:

VSC7133QU

Device Type:

VSC7133: 10-bit Transceiver

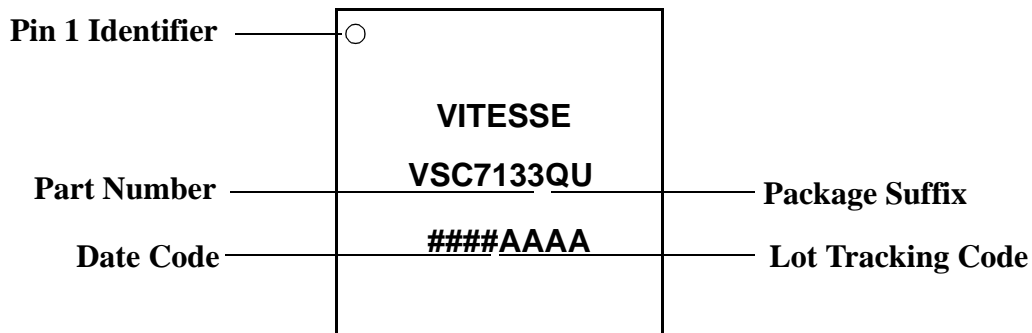
Package Style (64-pin)

QU: 10mm PQFP

Marking Information

The package is marked with three lines of text as shown below.

Figure 11: Package Marking Information



Notice

This document contains information about a product during its fabrication or early sampling phase of development. The information contained in the document is based on design targets, simulation results or early prototype test results. Characteristic data and other specifications are subject to change without notice. Therefore the reader is cautioned to confirm that this datasheet is current prior to design or order placement.

Warning

Vitesse Semiconductor Corporation's product are not intended for use in life support appliances, devices or systems. Use of a Vitesse product in such applications without written consent is prohibited.