

UTC81XX

LINEAR INTEGRATED CIRCUIT

POWER RESET IC

DESCRIPTION

The function of UTC 81XX is to accurately reset system after detecting the supply voltage at the time of switching power on and instantaneous power off in various CPU and other logic systems. Further, this IC, with its super low consumption current and high precision voltage detection capacity, is most suited as a voltage check circuit for a number of products which use batteries.

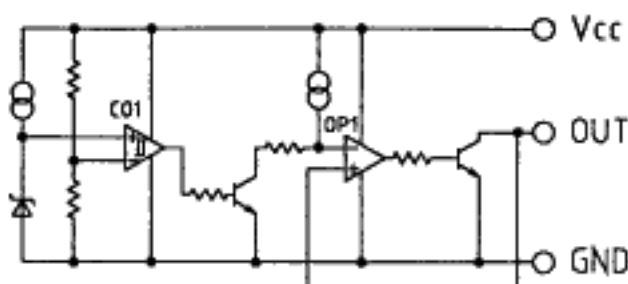
FEATURES

- *High precision voltage detection. ($V_s \pm 3\%$ max)
- *low current consumption.
($I_{OCH} = 15\mu A$ typ. $I_{OCL} = 10\mu A$ typ.)
- *Low operating threshold voltage (0.65V typ.)
- *Hysteresis voltage is provided as a detect voltage. (50mV typ.)
- *Large output current at the time ON (15mA typ.)
- *The detect voltage can be selected at your discretion at 0.1V step within the range of 1.9V to 4.6V by the following stipulation method.
UTC 81XX (XX : detected voltage value)

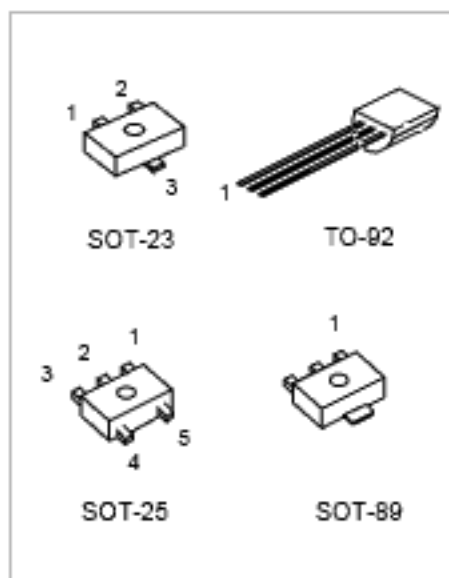
APPLICATIONS

- *Reset circuits for microcomputers, CPU and MPU.
- *Reset circuit for logic circuitry.
- *Battery voltage check circuit.
- *Circuit for changing over to backup battery.
- *Level detecting circuit.

BLOCK DIAGRAM



The Pin2 this product is SUB, so connect the pin to Ground.



SOT-23 : SEE PAGE 2
SOT-25 : SEE PAGE 2
TO-92 1: Vout; 2: Vcc; 3: GND
SOT-89 1: Vcc 2: GND 3: Vout

UTC81XX LINEAR INTEGRATED CIRCUIT

MARKING INFORMATION

| PACKAGE | PIN CODE | PIN 1 | PIN 2 | PIN 3 | PIN4 | PIN 5 | MARKING |
|---------|----------|-------|-------|-------|------|-------|---------|
| SOT-23 | 2 | Vcc | VOUT | GND | -- | -- | |
| | 3 | VOUT | GND | Vcc | -- | -- | |
| | 5 | GND | VOUT | Vcc | -- | -- | |
| SOT-25 | A | NC | NC | GND | VOUT | Vcc | |
| | B | VOUT | Vcc | GND | NC | NC | |
| TO-92 | D | Vcc | GND | Vout | -- | -- | |
| | E | Vout | Vin | GND | | | |

ABSOLUTE MAXIMUM RATINGS

| PARAMETER | SYMBOL | VALUE | UNIT |
|-----------------------|------------------|----------|------|
| Storage temperature | T _{STG} | -40~+125 | °C |
| Operating temperature | T _{OPR} | -20~+75 | °C |
| Power supply voltage | V _{CC} | -0.3~+10 | V |

ELECTRICAL CHARACTERISTICS (T_a=25°C, The unit of resistance is Ω unless otherwise indicated.)

| PARAMETER | SYMBOL | (*1) | TEST CONDITIONS | MIN | TYP | MAX | UNIT | |
|-------------------|----------------|------|--|----------|-------|-------|-------|---|
| Detection Voltage | V _s | 1 | R _L =470Ω, V _{CC} =H->L, V _o =V _{CC} | UTC 8150 | 4.850 | 5.000 | 5.150 | V |
| | | | | UTC 8146 | 4.462 | 4.600 | 4.738 | |
| | | | | UTC 8145 | 4.365 | 4.500 | 4.635 | |
| | | | | UTC 8144 | 4.268 | 4.400 | 4.532 | |
| | | | | UTC 8143 | 4.171 | 4.300 | 4.429 | |
| | | | | UTC 8142 | 4.074 | 4.200 | 4.326 | |
| | | | | UTC 8141 | 3.977 | 4.100 | 4.223 | |
| | | | | UTC 8140 | 3.880 | 4.000 | 4.120 | |
| | | | | UTC 8139 | 3.783 | 3.900 | 4.017 | |
| | | | | UTC 8138 | 3.686 | 3.800 | 3.914 | |
| | | | | UTC 8137 | 3.589 | 3.700 | 3.811 | |
| | | | | UTC 8136 | 3.492 | 3.600 | 3.708 | |

UTC UNISONIC TECHNOLOGIES CO., LTD.

UTC81XX LINEAR INTEGRATED CIRCUIT

| PARAMETER | SYMBOL | (*1) | TEST CONDITIONS | MIN | TYP | MAX | UNIT |
|---|----------------|------|---|-------|------------|-----------|---------------|
| | | | UTC 8135 | 3.395 | 3.500 | 3.605 | |
| | | | UTC 8134 | 3.298 | 3.400 | 3.502 | |
| | | | UTC 8133 | 3.201 | 3.300 | 3.399 | |
| | | | UTC 8132 | 3.104 | 3.200 | 3.296 | |
| | | | UTC 8131 | 3.007 | 3.100 | 3.193 | |
| | | | UTC 8130 | 2.910 | 3.000 | 3.090 | |
| | | | UTC 8129 | 2.813 | 2.900 | 2.987 | |
| | | | UTC 8128 | 2.716 | 2.800 | 2.884 | |
| | | | UTC 8127 | 2.619 | 2.700 | 2.781 | |
| | | | UTC 8126 | 2.522 | 2.600 | 2.678 | |
| | | | UTC 8125 | 2.425 | 2.500 | 2.575 | |
| | | | UTC 8124 | 2.328 | 2.400 | 2.472 | |
| | | | UTC 8123 | 2.231 | 2.300 | 2.369 | |
| | | | UTC 8122 | 2.134 | 2.200 | 2.266 | |
| | | | UTC 8121 | 2.037 | 2.100 | 2.163 | |
| | | | UTC 8120 | 1.940 | 2.000 | 2.060 | |
| | | | UTC 8119 | 1.843 | 1.900 | 1.957 | |
| | | | UTC 8118 | 1.746 | 1.800 | 1.854 | |
| Hysteresis Voltage | ΔV_s | 1 | $R_L=470\Omega$, $V_{cc}=L \rightarrow H \rightarrow L$, $V_o=V_{cc}$ | 30 | 50 | 100 | mV |
| Detection Voltage Temperature Coefficient | $V_s/\Delta T$ | 1 | $R_L=470\Omega$, $T_a=-20 \sim +75^\circ C$ $V_o=V_{cc}$ | | ± 0.01 | | %/ $^\circ C$ |
| Low Level Output Voltage | V_{OL} | 1 | $V_{cc}=V_s$ min.-0.05V, $R_L=470\Omega$, $V_o=V_{cc}$ | | 0.2 | 0.4 | V |
| Output Leakage Current | I_{OH} | 1 | $V_{cc}=10V$, $V_o=V_{cc}$ | | | ± 0.1 | μA |
| Circuit Current at ON Time | I_{CCL} | 1 | $V_{cc}=V_s$ min.-0.05V, $R_L=\infty$, $V_o=V_{cc}$ | | 3 | 5 | μA |
| Circuit Current at OFF Time | I_{CCH} | 1 | $V_{cc}=V_s$ typ./0.85, $R_L=\infty$, $V_o=V_{cc}$ | | 3 | 5 | μA |
| "H" Transmission Delay Time | T_{pLH} (*2) | 2 | $C_L=100pF$, $R_L=4.7k\Omega$ | | 20 | 60 | μS |
| "L" Transmission Delay Time | T_{pHL} (*3) | 2 | $C_L=100pF$, $R_L=4.7k\Omega$ | | 20 | 60 | μS |
| Operating Threshold Voltage | V_{OPL} | 1 | $R_L=4.7k\Omega$, $V_{OL} \leq 0.4V$ | | 0.65 | 0.85 | V |
| Output current at ON Time 1 | I_{OL1} | 1 | $R_L=0$, $V_{cc}=V_s$ min.-0.05V, $V_o=0.4V$ | 5 | | | mA |
| Output current at ON Time 2 | I_{OL2} | 1 | $T_a=-20 \sim +75^\circ C$ $R_L=0$, $V_{cc}=V_s$ min.-0.15V $V_o=0.4V$ | 3 | | | mA |

Note:

(*1) MEASUREMENT CIRCUIT

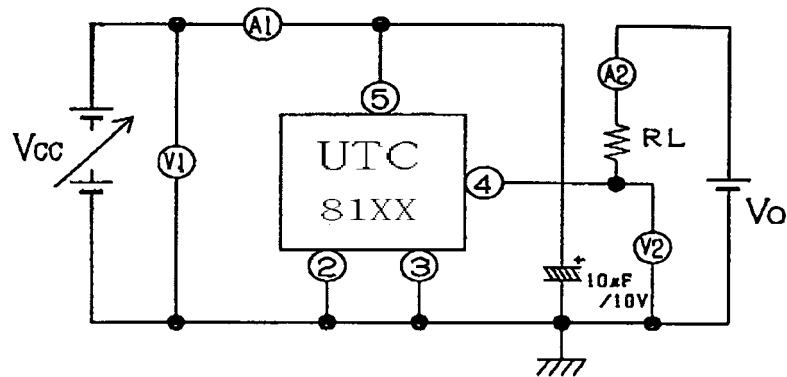
(*2) T_{pLH} : $V_{cc}=(V_s \text{ Typ. } -0.4V) \rightarrow (V_s \text{ Typ. } +0.4V)$

(*3) T_{pHL} : $V_{cc}=(V_s \text{ Typ. } +0.4V) \rightarrow (V_s \text{ Typ. } -0.4V)$

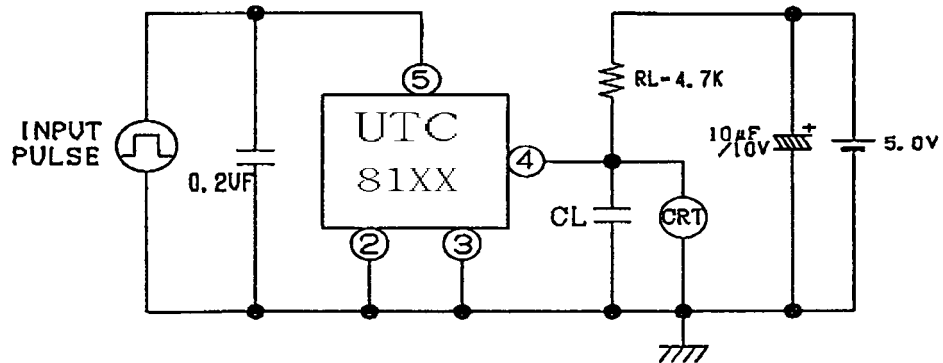
UTC 81XX LINEAR INTEGRATED CIRCUIT

MEASURING CIRCUITS

1)

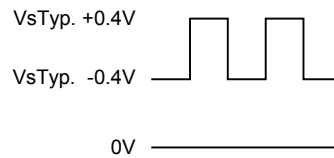


2)



NOTE:

- 1.) A: DC AMMETER V: DC VOLTMETER CRT: OSCILLOSCOPE
 2.) INPUT PULSE



UTC81XX LINEAR INTEGRATED CIRCUIT

UTC assumes no responsibility for equipment failures that result from using products at values that exceed, even momentarily, rated values (such as maximum ratings, operating condition ranges, or other parameters) listed in products specifications of any and all UTC products described or contained herein. UTC products are not designed for use in life support appliances, devices or systems where malfunction of these products can be reasonably expected to result in personal injury. Reproduction in whole or in part is prohibited without the prior written consent of the copyright owner. The information presented in this document does not form part of any quotation or contract, is believed to be accurate and reliable and may be changed without notice.