

EVALUATION KIT
AVAILABLE

Two-Switch Power ICs with Integrated Power MOSFETs and Hot-Swap Controller

MAX5042/MAX5043

General Description

The MAX5042/MAX5043 isolated multimode PWM power ICs feature integrated switching power MOSFETs connected in a voltage-clamped, two-transistor, power-circuit configuration. These devices operate from a wide 20V to 76V input voltage range. The MAX5042 includes a hot-swap controller for use with an external power MOSFET to limit inrush current for applications where the power supply is plugged into a live power backplane. The MAX5043 does not include a hot-swap controller.

The voltage-clamped power topology of the MAX5042/MAX5043 enables full recovery of stored magnetizing and leakage inductive energy for enhanced efficiency and reliability. Operating at up to 500kHz switching frequency, these devices provide up to 50W of output power. The MAX5042/MAX5043 allow the implementation of both forward and flyback voltage or current-mode converter topologies. A dedicated latched external shutdown provides protection in addition to internal thermal shutdown.

The MAX5042/MAX5043 achieve higher efficiency when used with secondary-side synchronous rectification. These devices generate a look-ahead signal for driving secondary-side synchronous rectifiers.

The MAX5042/MAX5043 are rated for operation over the -40°C to +125°C and -40°C to +85°C temperature range, respectively, and are available in a small surface-mount 56-pin thin QFN package.

Warning: The MAX5042/MAX5043 are designed to work with high voltages. Exercise caution.

Applications

High-Efficiency Telecom/Datacom Power Supplies
Router/Switch Cards with 48V Backplane Power Systems
Servers with 48V Backplane Power Systems
xDSL Line Cards
xDSL Line-Driver Power Supplies
Distributed Power Systems with 48V Bus
42V Automotive Power Supplies
Power-Supply Modules

Pin Configurations appear at end of data sheet.

Features

- ◆ Reliable Single-Stage Clamped Two-Switch Power ICs for High Efficiency
- ◆ No Reset Winding Required
- ◆ Up to 50W Output Power
- ◆ Integrated High-Voltage 75mΩ Power MOSFETs
- ◆ 20V to 76V Wide Input Voltage Range
- ◆ Feed-Forward Voltage or Current-Mode Control
- ◆ Programmable Brownout Undervoltage Lockout
- ◆ Integrated Current Signal Amplifier for High-Efficiency, Current-Mode Control
- ◆ Internal Overtemperature Shutdown
- ◆ Indefinite Short-Circuit Protection
- ◆ Integrated Thermally Protected High-Voltage Startup Linear Regulator
- ◆ Integrated Hot-Swap Controller (MAX5042)
- ◆ Integrated Look-Ahead Signal Output Drives High-Speed Optocoupler for Secondary-Side Synchronous Rectification
- ◆ >90% Efficiency with Synchronous Rectification
- ◆ Up to 500kHz Switching Frequency
- ◆ High-Power, Small-Footprint 56-Pin Thermally Enhanced QFN Package

Ordering Information

| PART | TEMP RANGE | PIN-PACKAGE |
|------------|-----------------|-------------|
| MAX5042ATN | -40°C to +125°C | 56 Thin QFN |
| MAX5043ETN | -40°C to +85°C | 56 Thin QFN |

Selector Guide

| PART | DESCRIPTION |
|---------|---|
| MAX5042 | Two-Switch Power IC with Integrated Power MOSFETs and Hot-Swap Controller for Isolated Power Supplies |
| MAX5043 | Two-Switch Power IC with Integrated Power MOSFETs for Isolated Power Supplies |



For pricing, delivery, and ordering information, please contact Maxim/Dallas Direct! at 1-888-629-4642, or visit Maxim's website at www.maxim-ic.com.

Two-Switch Power ICs with Integrated Power MOSFETs and Hot-Swap Controller

ABSOLUTE MAXIMUM RATINGS

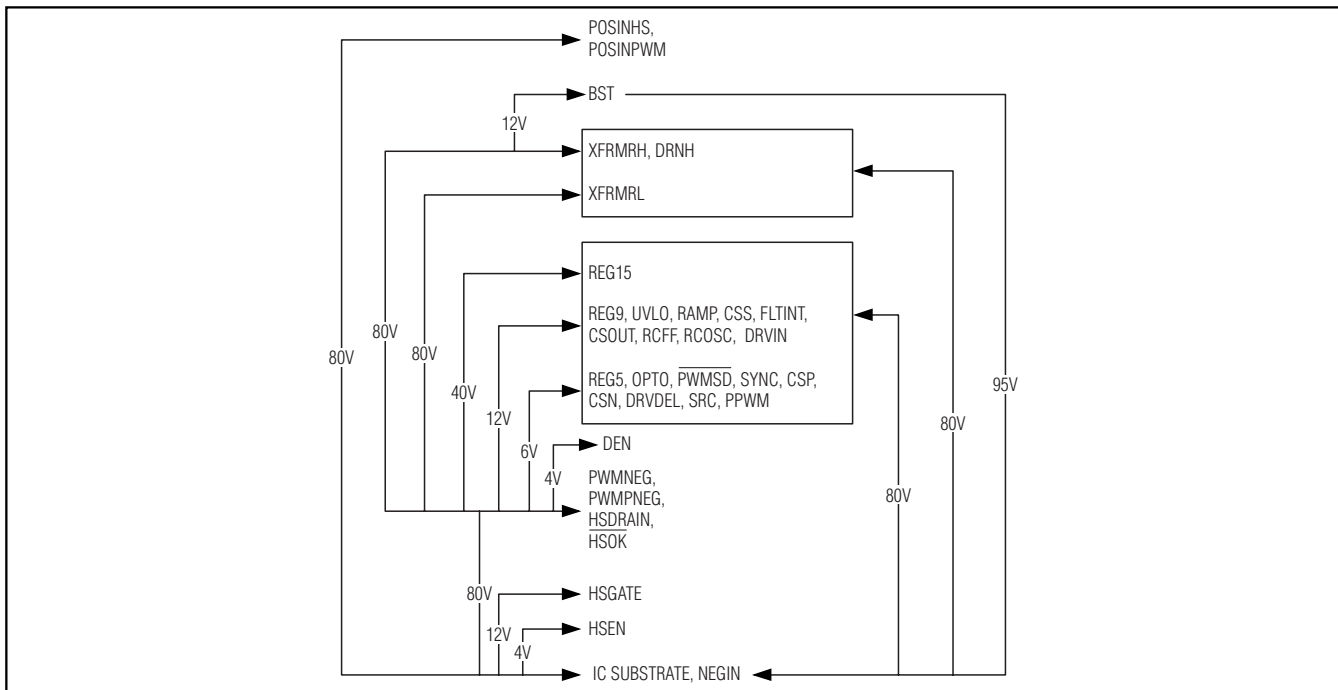
(See the *Absolute Maximum Ratings Diagram* below to better understand the absolute maximum ratings of the various blocks.)

| | |
|---|------------------------|
| PWMNEG, POSINPWM, DRNH, XFRMRH, XFRMRL, SRC to NEGIN..... | -0.3V to +80V |
| BST to NEGIN..... | -0.3V to +95V |
| BST to XFRMRH..... | -0.3V to +12V |
| SRC to PWMNEG..... | -0.3V to +6V |
| REG15 to PWMNEG..... | -0.3V to +40V |
| REG15 to POSINPWM..... | -80V to +0.3V |
| REG9, DRVIN to PWMNEG..... | -0.3V to +12V |
| REG5 to PWMNEG..... | -0.3V to +6V |
| REG15 Current..... | ±80mA |
| REG9 Current..... | 40mA |
| REG5 Current..... | 20mA |
| UVLO, RAMP, CSS, FLTINT, CSOUT, RCFF, RCOSC to PWMNEG..... | -0.3V to +12V |
| OPTO, PWMSD, SYNC, CSP, CSN, DRVDEL to PWMNEG..... | -0.3V to +6V |
| PPWM to PWMNEG..... | -0.3V to (REG5 + 0.3V) |
| PPWM Current..... | ±20mA |
| PWMPNEG to PWMNEG..... | -0.3V to +0.3V |
| DRNH Continuous Average Current (all pins combined) T _J = +125°C..... | 2A |
| T _J = +150°C..... | 1.4A |

| | |
|--|-----------------|
| XFRMRH Continuous Average Current (all pins combined) T _J = +125°C..... | 2A |
| T _J = +150°C..... | 1.4A |
| XFRMRL Continuous Average Current (all pins combined) T _J = +125°C..... | 2A |
| T _J = +150°C..... | 1.4A |
| SRC Continuous Current (all pins combined) T _J = +125°C..... | 2A |
| T _J = +150°C..... | 1.4A |
| POSINHS to NEGIN..... | -0.3V to +80V |
| HSEN to NEGIN..... | -0.3V to +4V |
| DEN to PWMNEG..... | -0.3V to +4V |
| HSGATE to NEGIN..... | -0.3V to +12V |
| HSDRAIN, HSOK to NEGIN..... | -0.3V to +80V |
| HSOK Current..... | 20mA |
| Continuous Power Dissipation (T _A = +70°C) 56-Pin Thin QFN (derate 47.6mW/°C above +70°C)..... | 3.8W |
| Junction to Ambient Thermal Resistance, θ _{JA} | +21°C/W |
| Operating Temperature Range MAX5042ATN..... | -40°C to +125°C |
| MAX5043ETN..... | -40°C to +85°C |
| Storage Temperature..... | +150°C |
| Storage Temperature Range..... | -65°C to +150°C |
| Lead Temperature (soldering, 10s)..... | +300°C |

Stresses beyond those listed under "Absolute Maximum Ratings" may cause permanent damage to the device. These are stress ratings only, and functional operation of the device at these or any other conditions beyond those indicated in the operational sections of the specifications is not implied. Exposure to absolute maximum rating conditions for extended periods may affect device reliability.

Absolute Maximum Ratings Diagram



Two-Switch Power ICs with Integrated Power MOSFETs and Hot-Swap Controller

MAX5042/MAX5043

ELECTRICAL CHARACTERISTICS

(V_{POSINPWM} = 20V to 76V, V_{REG15} = 18V, C_{REG15} = 4.7μF, C_{REG9} = 1μF, C_{REG5} = 1μF, R_{RCOSC} = 24kΩ, C_{RCOSC} = 100pF, C_{BST} = 0.22μF, R_{DRVDEL} = 10kΩ, C_{DRVDEL} = 0.22μF, V_{CSS} = V_{CSP} = V_{CSN} = V_{RAMP} = V_{PWMNEG} = V_{NEGIN} = 0, T_A = T_{MIN} to T_{MAX}, unless otherwise noted. Typical values are at V_{POSINPWM} = 48V, T_A = +25°C, unless otherwise noted. All voltages are referred to PWMNEG, unless otherwise noted.)

| PARAMETER | SYMBOL | CONDITIONS | MIN | TYP | MAX | UNITS |
|--|-----------------------|---|------|------|------|-------|
| Input Supply Range | V _{POSINPWM} | | 20 | | 76 | V |
| REG15 REGULATOR | | | | | | |
| REG15 Output Voltage Range | V _{REG15} | V _{POSINPWM} = 20V to 76V | 13.0 | | 16.6 | V |
| REG15 Output Voltage Load Regulation | | V _{POSINPWM} = 20V, I _{REG15} = 0 to 80mA | | | 1.5 | V |
| REG15 Output Current | | Inferred from load regulation test | | | 80 | mA |
| REG15 Current Limit | | REG15 shorted to PWMNEG with 10Ω | | 140 | | mA |
| REG15 Overdrive Voltage | | | 18 | | 40 | V |
| REG9 REGULATOR | | | | | | |
| REG9 Output Voltage Range | | V _{REG15} = 18V to 40V | 8.3 | | 10.1 | V |
| REG9 Output Voltage Load Regulation | | I _{REG9} = 0 to 40mA | | | 0.35 | V |
| REG9 Output Current | | Inferred from load regulation test | | | 40 | mA |
| REG9 Current Limit | | REG9 shorted to PWMNEG with 10Ω | | 100 | | mA |
| REG5 REGULATOR | | | | | | |
| REG5 Output Voltage Range | | V _{REG15} = 18V to 40V | 4.5 | | 5.5 | V |
| REG5 Output Voltage Load Regulation | | I _{REG5} = 0 to 20mA | | | 0.35 | V |
| REG5 Output Current | | Inferred from load regulation test | | | 20 | mA |
| REG5 Current Limit | | REG5 shorted to PWMNEG with 10Ω | | 40 | | mA |
| PWM COMPARATOR | | | | | | |
| Common-Mode Range | V _{CM-PWM} | | 0 | | 5.5 | V |
| Input Offset Voltage | | | | 10 | | mV |
| Input Bias Current | | | -2.5 | | +2.5 | μA |
| Propagation Delay | | 50mV overdrive, 0 ≤ V _{CM-PWM} ≤ 5.5V | | 70 | | ns |
| RCOSC OSCILLATOR | | | | | | |
| PWM Period | t _{OSC-PWM} | | | 3.9 | | μs |
| Maximum Duty Cycle | | | | 47 | | % |
| Maximum RCOSC Frequency | f _{RCOSC} | | | 1.2 | | MHz |
| RCOSC Peak Trip Level | V _{TH} | | | 2.55 | | V |
| RCOSC Valley Trip Level | | | | 0.2 | | V |
| RCOSC Input Bias Current | | | | -0.3 | | μA |
| RCOSC Discharge MOSFET R _{DS(ON)} | | Sinking 10mA | | 60 | 120 | Ω |
| RCOSC Discharge Pulse Width | | | | 50 | | ns |
| SYNC High Level | | | 3.5 | | | V |
| SYNC Low Level | | | | | 0.8 | V |

Two-Switch Power ICs with Integrated Power MOSFETs and Hot-Swap Controller

ELECTRICAL CHARACTERISTICS (continued)

(V_{POSINPWM} = 20V to 76V, V_{REG15} = 18V, C_{REG15} = 4.7μF, C_{REG9} = 1μF, C_{REG5} = 1μF, R_{RCOSC} = 24kΩ, C_{RCOSC} = 100pF, C_{BST} = 0.22μF, R_{DRVDEL} = 10kΩ, C_{DRVDEL} = 0.22μF, V_{CSS} = V_{CSP} = V_{CSN} = V_{RAMP} = V_{PWMNEG} = V_{NEGIN} = 0, T_A = T_{MIN} to T_{MAX}, unless otherwise noted. Typical values are at V_{POSINPWM} = 48V, T_A = +25°C, unless otherwise noted. All voltages are referred to PWMNEG, unless otherwise noted.)

| PARAMETER | SYMBOL | CONDITIONS | MIN | TYP | MAX | UNITS |
|----------------------------------|---------------------|---|------|------|------|-------|
| SYNC Leakage Current | | | | | ±1 | μA |
| SYNC Maximum Frequency | f _{SYNC} | | | 2.4 | | MHz |
| SYNC On-Time | | | 50 | | | ns |
| SYNC Off-Time | | | 200 | | | ns |
| PWM LOGIC | | | | | | |
| PWM Comparator Propagation Delay | | | | 70 | | ns |
| PPWM to XFRMRH Delay | | PPWM rising | | 120 | | ns |
| DRVDEL Reference Voltage | | | 1.14 | | 1.38 | V |
| PPWM Output High | | Sourcing 2mA | 2.8 | | | V |
| PPWM Output Low | | Sinking 2mA | | | 0.4 | V |
| PWMSD Logic High | | | 3.5 | | | V |
| PWMSD Logic Low | | | | | 0.8 | V |
| PWMSD Leakage Current | | | | | ±1 | μA |
| SOFT-START | | | | | | |
| Soft-Start Current | I _{CSS} | | | 33 | | μA |
| Minimum OPTO Voltage | | CSS = 0, sinking 2mA | | 1.4 | | V |
| RAMP GENERATOR | | | | | | |
| Minimum RCFF Voltage | | RCFF sinking 2mA | | 2.1 | | V |
| RCFF Leakage | | | | ±0.1 | ±1 | μA |
| OVERLOAD FAULT | | | | | | |
| FLTINT Pulse Current | I _{FLTINT} | | | 80 | | μA |
| FLTINT Trip Point | | | 2.0 | 2.7 | 3.5 | V |
| FLTINT Hysteresis | | | | 0.75 | | V |
| INTERNAL POWER FETs | | | | | | |
| On-Resistance | R _{DS(on)} | V _{DRVIN} = V _{BST} = 9V, V _{XFRMRH} = V _{SRC} = 0, I _{DS} = 190mA | | 75 | 200 | mΩ |
| Off-State Leakage Current | | | | | 10 | μA |
| Total Gate Charge Per FET | | Inferred from supply current with V _{DS} = 50V | | 45 | | nC |
| HIGH-SIDE DRIVER | | | | | | |
| Low-to-High Latency | | Driver delay until FET V _{GS} reaches 0.9 x (V _{BST} - V _{XFRMRH}) | | 80 | | ns |
| High-to-Low Latency | | Driver delay until FET V _{GS} reaches 0.1 x (V _{BST} - V _{XFRMRH}) | | 45 | | ns |
| Output Drive Voltage | | BST to XFRMRH with high side on | | 8 | | V |
| LOW-SIDE DRIVER | | | | | | |
| Low-to-High Latency | | Driver delay until FET V _{GS} reaches 0.9 x V _{DRVIN} | | 80 | | ns |

Two-Switch Power ICs with Integrated Power MOSFETs and Hot-Swap Controller

MAX5042/MAX5043

ELECTRICAL CHARACTERISTICS (continued)

(V_{POSINPWM} = 20V to 76V, V_{REG15} = 18V, C_{REG15} = 4.7μF, C_{REG9} = 1μF, C_{REG5} = 1μF, R_{RCOSC} = 24kΩ, C_{RCOSC} = 100pF, C_{BST} = 0.22μF, R_{DRVDEL} = 10kΩ, C_{DRVDEL} = 0.22μF, V_{CSN} = V_{CSP} = V_{CSN} = V_{RAMP} = V_{PWMNEG} = V_{NEGIN} = 0, T_A = T_{MIN} to T_{MAX}, unless otherwise noted. Typical values are at V_{POSINPWM} = 48V, T_A = +25°C, unless otherwise noted. All voltages are referred to PWMNEG, unless otherwise noted.)

| PARAMETER | SYMBOL | CONDITIONS | MIN | TYP | MAX | UNITS |
|--|--------|---|------|------|-------|-------|
| High-to-Low Latency | | Driver delay until FET V _{GS} reaches 0.1 x V _{DRVIN} | | 45 | | ns |
| CURRENT-SENSE COMPARATOR | | | | | | |
| Current-Limit-Comparator Threshold Voltage | | | 140 | 156 | 172 | mV |
| Current-Limit-Comparator Propagation Delay | | 10mV overdrive | | 40 | | ns |
| CURRENT-SENSE AMPLIFIER | | | | | | |
| Current Amplifier Gain | | V _{CSN} = 0, V _{CSP} = 0 to 0.35V | 9.75 | 10 | 10.25 | V/V |
| Input Voltage Offset | | V _{CN} = V _{CSP} = -0.3V to +0.3V | 185 | 200 | 230 | mV |
| Input Common-Mode Range | | | -0.3 | | +0.3 | V |
| Input Differential-Mode Range | | Inferred from current amplifier gain test | | | 0.35 | V |
| CSP Input Bias Current | | V _{CSP} = -0.3V to +0.3V, V _{CSN} = 0 | -160 | | -40 | μA |
| CSN Input Bias Current | | V _{CSP} = -0.3V to +0.3V, V _{CSN} = 0 | -160 | | -30 | μA |
| Settling Time | | V _{CSN} = 0, V _{CSP} steps from 0 to 0.2V, 10% settling time, C _L = 20pF | | 70 | | ns |
| 3dB Bandwidth | | | | 7 | | MHz |
| BOOST VOLTAGE CIRCUIT | | | | | | |
| QB R _{DS(ON)} | | Sinking 100mA | | 10 | 20 | Ω |
| Driver Output Delay | | | | 200 | | ns |
| One-Shot Pulse Width | | | | 300 | | ns |
| THERMAL SHUTDOWN | | | | | | |
| Shutdown Temperature | | Temperature rising | | 150 | | °C |
| Thermal Hysteresis | | | | 14.5 | | °C |
| PWM CONVERTER UNDERVOLTAGE LOCKOUT (UVLO) | | | | | | |
| Preset UVLO Threshold | | Measured at POSINPWM rising | 28 | 31 | 34 | V |
| UVLO Threshold Hysteresis | | | | 3 | | V |
| UVLO Resistance | | Looking into UVLO | 30 | | 75 | kΩ |
| UVLO Trip Point | | Measured at UVLO rising | 1.15 | 1.27 | 1.39 | V |
| UVLO Hysteresis | | | | +127 | | mV |
| Preset DEN Threshold | | MAX5043 only, measured at POSINPWM rising | 27 | | 34 | V |
| DEN Threshold Hysteresis | | MAX5043 only | | 3.1 | | V |
| DEN Startup Delay | | MAX5043 only | 3.5 | 12 | 27.0 | ms |
| DEN Turn-Off Delay | | MAX5043 only | 0.2 | 0.7 | 1.5 | ms |
| DEN Trip Point | | MAX5043 only, rising with respect to PWMNEG | 1.11 | | 1.35 | V |

Two-Switch Power ICs with Integrated Power MOSFETs and Hot-Swap Controller

ELECTRICAL CHARACTERISTICS (continued)

($V_{POSINPWM} = 20V$ to $76V$, $V_{REG15} = 18V$, $C_{REG15} = 4.7\mu F$, $C_{REG9} = 1\mu F$, $C_{REG5} = 1\mu F$, $R_{RCOSC} = 24k\Omega$, $C_{RCOSC} = 100pF$, $C_{BST} = 0.22\mu F$, $R_{DRVDEL} = 10k\Omega$, $C_{DRVDEL} = 0.22\mu F$, $V_{CSS} = V_{CSP} = V_{CSN} = V_{RAMP} = V_{PWMNEG} = V_{NEGIN} = 0$, $T_A = T_{MIN}$ to T_{MAX} , unless otherwise noted. Typical values are at $V_{POSINPWM} = 48V$, $T_A = +25^\circ C$, unless otherwise noted. All voltages are referred to PWMNEG, unless otherwise noted.)

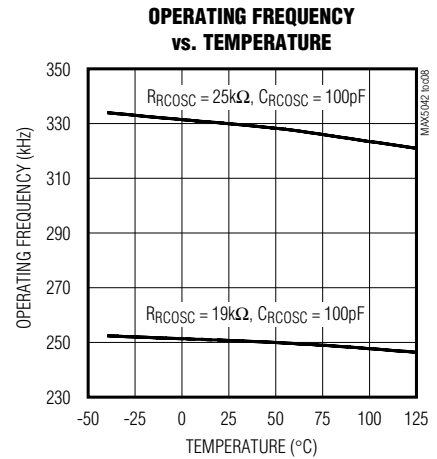
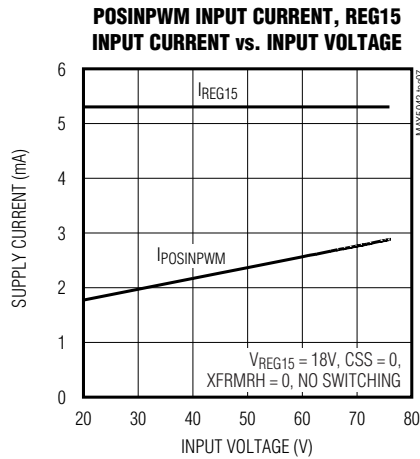
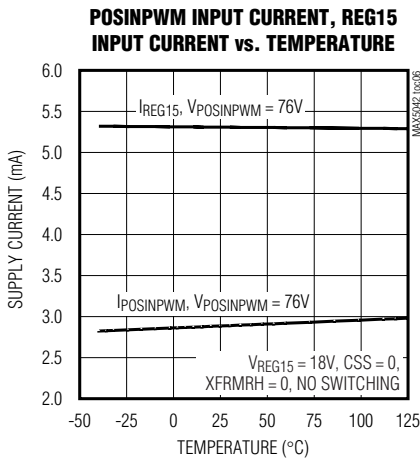
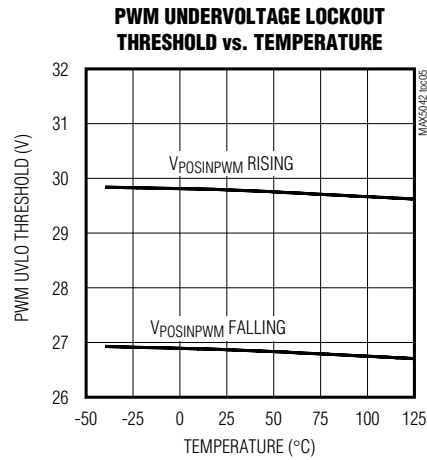
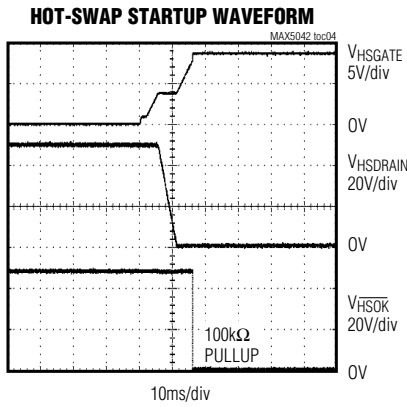
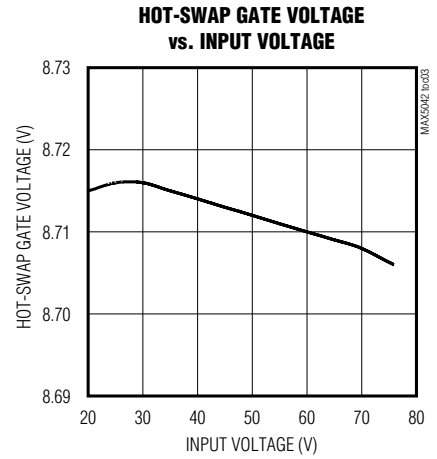
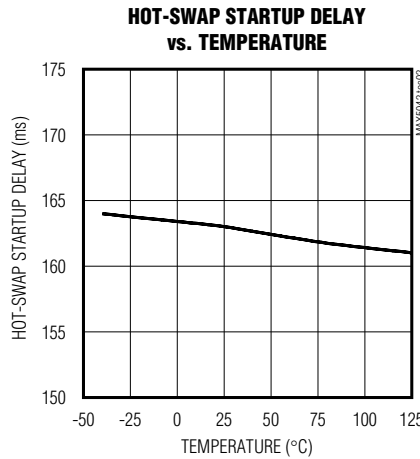
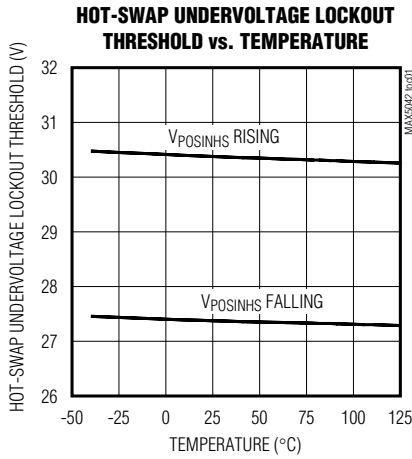
| PARAMETER | SYMBOL | CONDITIONS | MIN | TYP | MAX | UNITS |
|--|--------|---|------|-----|---------|------------|
| DEN Hysteresis | | MAX5043 only | | 124 | | mV |
| DEN Input Resistance | | MAX5043 only, looking into DEN | 18 | | 55 | k Ω |
| SUPPLY CURRENT | | | | | | |
| Supply Current | | From $V_{POSINHS} = V_{POSINPWM} = 76V$, CSS shorted to PWMNEG, $REG15 = 18V$ | | 2 | 3 | mA |
| | | From $REG15 = 18V$, $V_{POSINHS} =$ $V_{POSINPWM} = 76V$, CSS shorted to PWMNEG | | 6 | 8.5 | |
| | | From $REG15 = 18V$, $V_{POSINHS} =$ $V_{POSINPWM} = 76V$, $V_{DRNH} = V_{XFRMRH} =$ $V_{XFRMRL} = V_{SRC} = 0V$ | | 20 | | |
| Standby Supply Current | | MAX5042 only, $V_{POSINHS} = V_{POSINPWM} =$ $V_{PWMNEG} = V_{PWMPNEG} = V_{HSDRAIN} = 76V$, $HSEN = NEGIN$ | | 0.6 | 1 | mA |
| HOT-SWAP CONTROLLER (MAX5042 Only) | | | | | | |
| Hot-Swap UVLO Threshold | | POSINHS with respect to NEGIN, voltage rising | 27 | | 34 | V |
| Hot-Swap UVLO Hysteresis | | | | 3.1 | | V |
| Hot-Swap UVLO Resistance | | Looking into HSEN | 18 | | 55 | k Ω |
| Startup Delay | | From HSEN rising to \overline{HSOK} falling | 50 | 165 | 350 | ms |
| HSEN Turn-Off Delay | | From HSEN falling to \overline{HSOK} rising | 3 | 10 | 25 | ms |
| \overline{HSOK} Output-High Leakage Current | | | | | ± 1 | μA |
| HSEN Reference Threshold | | Rising with respect to NEGIN | 1.11 | | 1.35 | V |
| HSEN Hysteresis | | | | 124 | | mV |
| \overline{HSOK} Output Low Voltage | | Sinking 5mA | | | 0.4 | V |
| HSGATE Voltage High | | | 7.5 | | 10.0 | V |
| Hot-Swap Slew Rate | | $C_L = 10\mu F$, from HSDRAIN to NEGIN | | 10 | | V/ms |

Two-Switch Power ICs with Integrated Power MOSFETs and Hot-Swap Controller

Typical Operating Characteristics

($V_{POSINPWM} = 20V$, $T_A = +25^\circ C$, unless otherwise noted.)

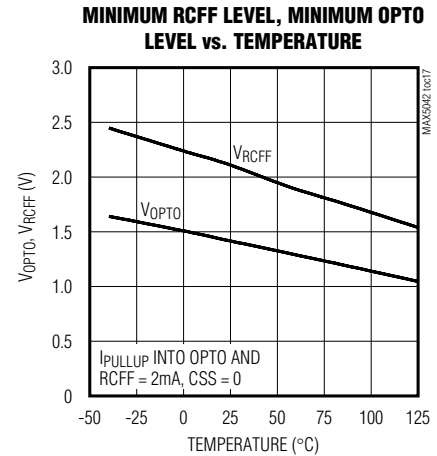
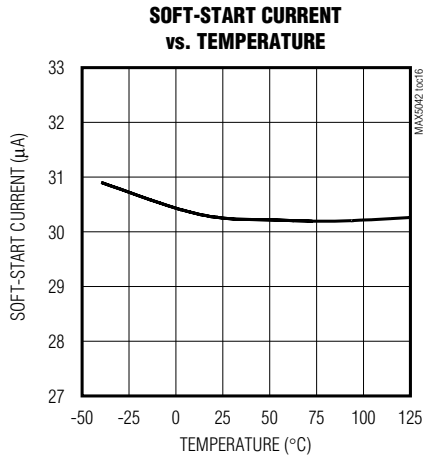
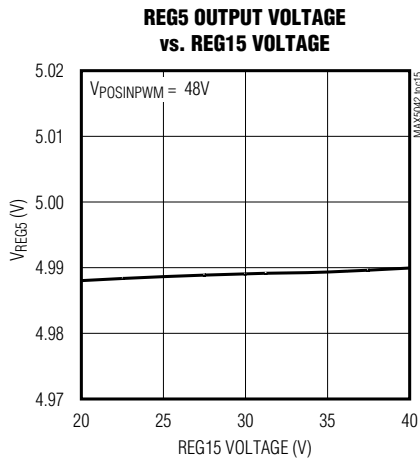
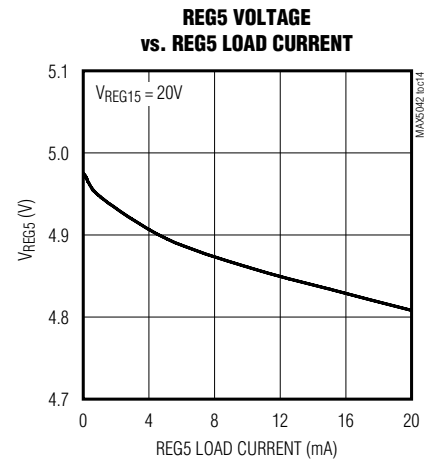
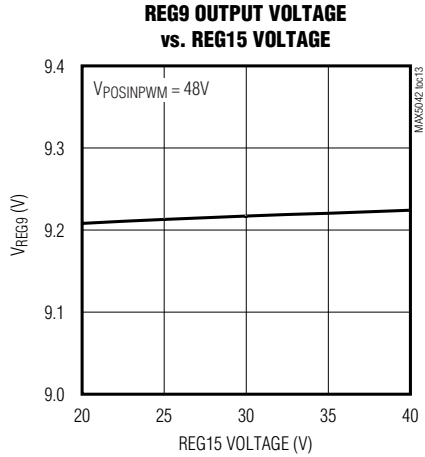
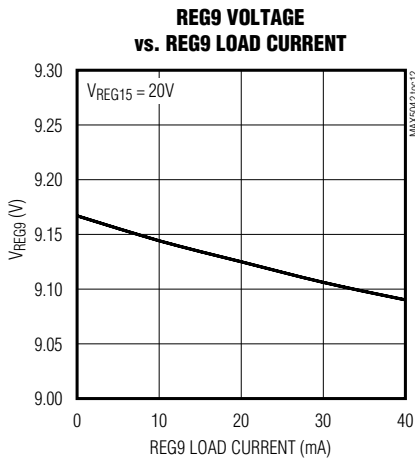
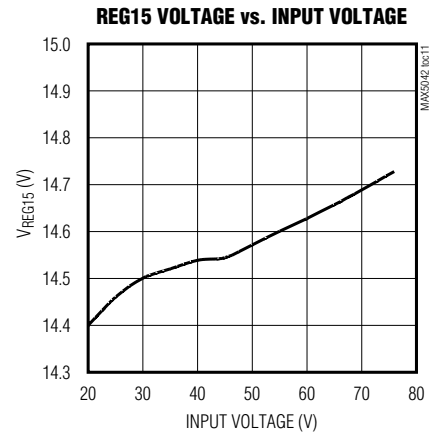
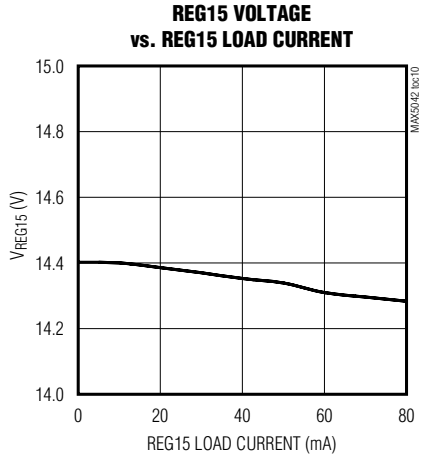
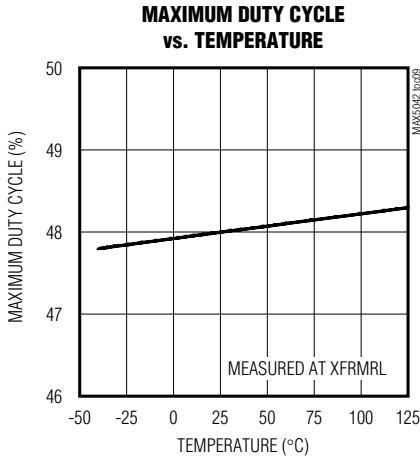
MAX5042/MAX5043



Two-Switch Power ICs with Integrated Power MOSFETs and Hot-Swap Controller

Typical Operating Characteristics (continued)

($V_{POSINPWM} = 20V$, $T_A = +25^\circ C$, unless otherwise noted.)

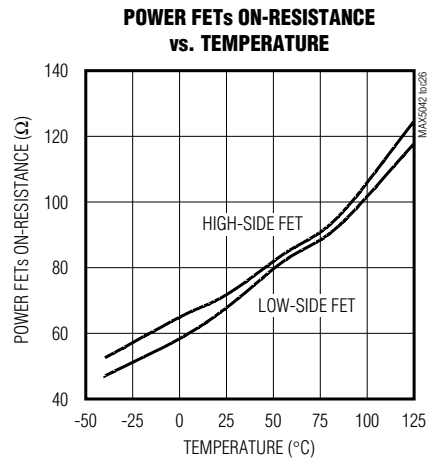
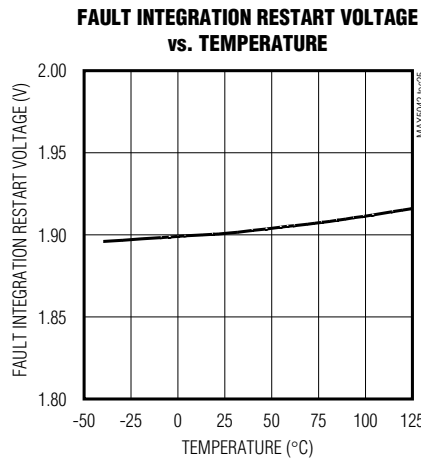
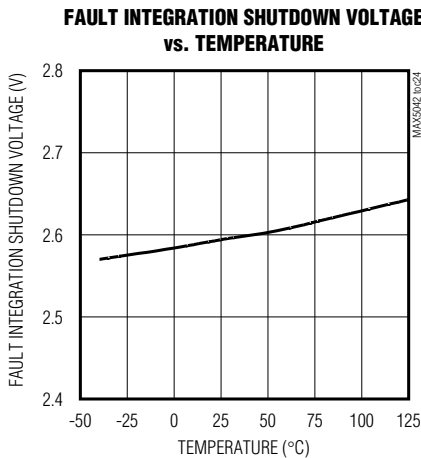
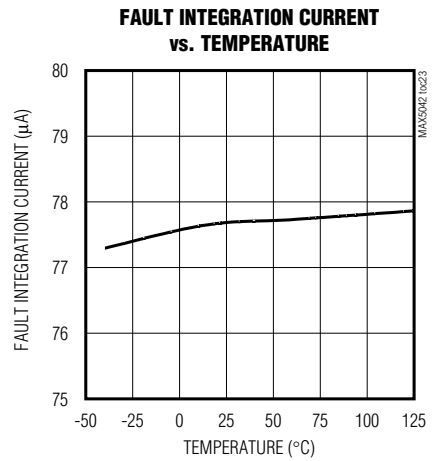
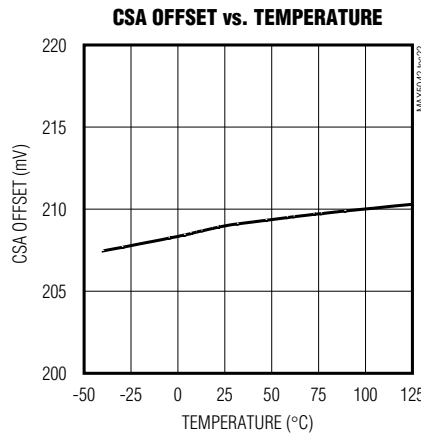
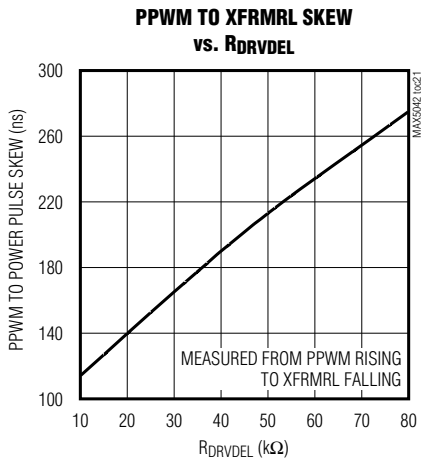
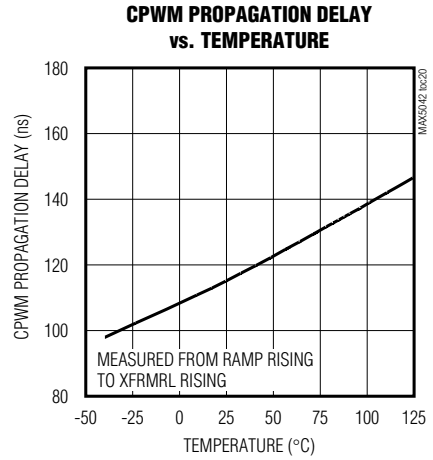
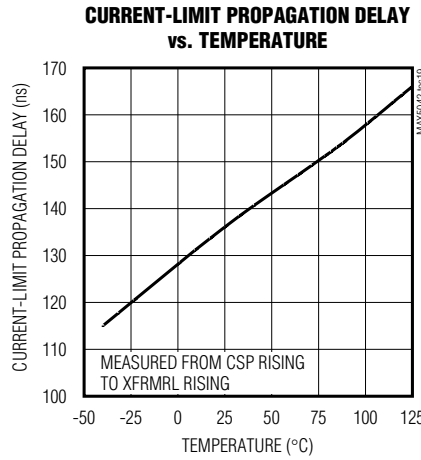
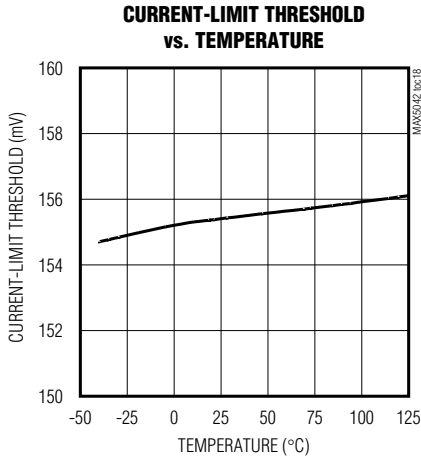


Two-Switch Power ICs with Integrated Power MOSFETs and Hot-Swap Controller

Typical Operating Characteristics (continued)

(V_{POSINPWM} = 20V, T_A = +25°C, unless otherwise noted.)

MAX5042/MAX5043



Two-Switch Power ICs with Integrated Power MOSFETs and Hot-Swap Controller

Pin Description

| PIN | | NAME | FUNCTION |
|-----------------------------|-----------------------------|---------------------------|---|
| MAX5042 | MAX5043 | | |
| 1, 2, 14, 15, 40, 42–45, 56 | 1, 2, 14, 15, 40, 42–45, 56 | N.C. | No Connection. Not internally connected. |
| 3 | 3 | RCFF | Voltage-Mode PWM Ramp. Connect a resistor to the input supply and a capacitor to PWMNEG for input voltage feed-forward. Input voltage feed-forward provides instantaneous input-voltage transient rejection and constant loop gain with varying input voltage. |
| 4 | 4 | RAMP | PWM Ramp Input. For voltage-mode control, connect RAMP to RCFF. For current-mode control, connect RAMP to CSOUT, the output of the current-sense amplifier. |
| 5 | 5 | OPTO | Inverting Input of the PWM Comparator. Connect OPTO to the collector of the optotransistor. Connect a pullup resistor from OPTO to REG5. |
| 6 | 6 | CSS | Soft-Start. Connect a capacitor from CSS to PWMNEG to soft-start the converter. |
| 7 | 7 | BST | Boost-Capacitor Bypass for High-Side MOSFET Gate Drive. Connect a 0.1 μ F capacitor from BST to XFRMRH for the internal high-side MOSFET driver. |
| 8 | 8 | DRVIN | Low-Side MOSFET Driver Supply. Bypass DRVIN with a 0.22 μ F capacitor to PWMPNEG. |
| 9 | 9 | PWMPNEG | Low-Side MOSFET Driver Return. Connect PWMPNEG externally to PWMNEG with a short trace. |
| 10 | 10 | RCOSC | Oscillator Timing Resistor and Capacitor Connection. Connect a capacitor from RCOSC to PWMNEG and a resistor from RCOSC to REG5. The switching frequency is half the frequency of the sawtooth signal at this connection. |
| 11 | 11 | FLTINT | Fault Integration Input. Use FLTINT in addition to cycle-by-cycle current limit. During persistent current-limit faults, a capacitor connected to FLTINT charges with an internal 80 μ A current source. Switching terminates when the voltage reaches 2.7V. An external resistor connected in parallel discharges the capacitor. Switching resumes when the voltage drops to 1.8V. |
| 12 | 12 | SYNC | Synchronization Input. The switching frequency of the power supply is half the synchronization frequency, ensuring less than 50% maximum duty cycle. |
| 13 | 13 | $\overline{\text{PWMSD}}$ | Latched Shutdown Input. Pull $\overline{\text{PWMSD}}$ low with respect to PWMNEG to stop switching. To restart, release $\overline{\text{PWMSD}}$ and cycle the input supply. Do not leave $\overline{\text{PWMSD}}$ unconnected. Use $\overline{\text{PWMSD}}$ to prevent catastrophic secondary rectifier overheating by monitoring the temperature and issuing a shutdown command with an optocoupler. Connect $\overline{\text{PWMSD}}$ to REG5 when not used. |
| 16, 17, 20, 21, 24 | 16, 17, 20, 21, 24 | SRC | Source Connection for the Internal Low-Side Power MOSFET. Connect SRC to PWMPNEG with a low-value resistor for current limiting. |
| 18, 19, 22, 23 | 18, 19, 22, 23 | XFRMRL | Low-Side Connection for the Isolation Transformer |
| 25 | — | POSINHS | Hot-Swap Controller Positive Input Supply (MAX5042 Only). Connect POSINHS along with POSINPWM to the most positive rail of the input supply. |

Two-Switch Power ICs with Integrated Power MOSFETs and Hot-Swap Controller

Pin Description (continued)

MAX5042/MAX5043

| PIN | | NAME | FUNCTION |
|---------|--------------------|--------------------------|--|
| MAX5042 | MAX5043 | | |
| 26 | — | $\overline{\text{HSOK}}$ | Hot-Swap OK (MAX5042 Only). $\overline{\text{HSOK}}$'s open-drain output is forced to NEGIN upon hot-swap completion. |
| 27 | — | HSEN | Hot-Swap Enable (MAX5042 Only). HSEN is the center point of the internal hot-swap UVLO divider. Use an external voltage-divider or a 100k Ω pullup resistor to the most positive rail to override. |
| 28, 29 | — | NEGIN | Negative Supply Input (MAX5042 Only). NEGIN connects to the most negative input supply rail. NEGIN provides the hot-swap circuit's most negative connection. NEGIN is at the same potential as the IC substrate. |
| 30 | — | HSGATE | Hot-Swap Gate (MAX5042 Only). Connect HSGATE to the gate of the external hot-swap MOSFET. |
| 31 | — | HSDRAIN | Hot-Swap MOSFET Drain Sense (MAX5042 Only). Connect HSDRAIN to the drain of the external hot-swap MOSFET. |
| 32 | 32 | CSOUT | Current-Sense Amplifier Output. The amplifier has a gain of 10. Connect CSOUT to RAMP for current-mode control. |
| 33 | 33 | CSP | Positive Current-Sense Connection. Place the current-sense resistor as close as possible to the device and use a Kelvin connection. |
| 34 | 34 | CSN | Negative Current-Sense Connection. Place the current-sense resistor as close as possible to the device and use a Kelvin connection. |
| 35 | 26, 28, 29, 31, 35 | PWMNEG | Analog Signal Return for the PWM Section |
| 36 | 36 | DRVDEL | Driver Delay Adjust Connection. Connect a resistor and a 0.22 μF capacitor from DRVDEL to PWMNEG. The resistor at DRVDEL controls the skew between the PPWM signal and the power pulse applied to the internal power MOSFETs. Use in conjunction with a secondary-side synchronous-rectifier controller. The skew allows for the optimization of the synchronous-rectifier drive pulse. |
| 37 | 37 | PPWM | PWM Pulse Output. PPWM leads the internal power MOSFET pulse by an amount determined with the resistor value at DRVDEL. |
| 38 | 38 | REG9 | 9V Internal Regulator Output. Use primarily as a source for the internal gate drivers. Bypass REG9 to PWMNEG with a 1 μF ceramic capacitor. |
| 39 | 39 | REG5 | 5V Internal Regulator Output. Bypass REG5 to PWMNEG with a 1 μF ceramic capacitor. |
| 41 | 41 | REG15 | 15V Startup Regulator Output. A voltage greater than 18V on REG15 disables the regulator. Bypass REG15 to PWMNEG with at least one 1 μF ceramic capacitor. |
| 46 | 46 | UVLO | PWM Undervoltage Lockout. UVLO is the center point of the PWM undervoltage lockout divider. Use an external divider or a 100k Ω pullup resistor to POSINPWM to override. Connect the external resistor-divider network from POSINPWM to PWMNEG. |

Two-Switch Power ICs with Integrated Power MOSFETs and Hot-Swap Controller

Pin Description (continued)

| PIN | | NAME | FUNCTION |
|----------------|----------------|----------|---|
| MAX5042 | MAX5043 | | |
| 47 | 25, 47 | POSINPWM | PWM Analog Positive-Supply Input. Connect POSINPWM to the most positive input supply rail. |
| 48, 51, 54, 55 | 48, 51, 54, 55 | DRNH | Drain Connection of the Internal High-Side PWM Power MOSFET. Connect DRNH to the most positive rail of the input supply. |
| 49, 50, 52, 53 | 49, 50, 52, 53 | XFRMRH | High-Side Connection for the Isolation Transformer |
| — | 27 | DEN | Delayed Enable Input (MAX5043 Only). DEN is the center point of the delayed enable divider. Use an external voltage-divider or a 100kΩ pullup resistor to the most positive rail to override. |
| — | 30 | N.C. | No Connection (MAX5043 Only). Leave unconnected. |

Detailed Description

The MAX5042/MAX5043 PWM multimode power ICs are designed for the primary side of voltage or current-mode isolated, forward or flyback power converters. These devices provide a high degree of integration aimed at reducing the cost and PC board area of isolated output power supplies. Use the MAX5042/MAX5043 primarily for 24V, 42V, or 48V power bus applications.

The MAX5042/MAX5043 provide a complete system capable of delivering up to 50W of output power. The MAX5042 contains a hot-swap controller in addition to the PWM and power MOSFETs. The hot-swap section requires an external MOSFET (QHS). Figure 1 details the MAX5042 conceptual block diagram. C_{IN} represents the input bulk storage capacitance of the PWM circuit that requires the soft-start to reduce the inrush current from the backplane. When input power is applied, capacitor C_{IN} is completely discharged and QHS is off. An applied voltage higher than the default undervoltage lockout threshold of the hot-swap controller (30.5V) for more than 165ms (internal turn-on delay) causes the gate voltage of QHS to start gradually increasing. This results in a controlled slew-rate turn-on. The drain voltage of QHS falls at a rate of approximately 10V/ms, drawing a current load from the backplane of approximately 1A for each 100μF of C_{IN} capacitance. The MAX5042's PWM block is prevented from starting up until the QHS MOSFET is fully enhanced. After QHS completely turns on and the voltage across capacitor C_{IN} is above the default startup voltage (31V) of the PWM section, the hot swap enables the PWM block and the soft-start cycle begins. Soft-start limits the amount of current initially drawn from the primary during startup and also prevents possible output-voltage overshoots.

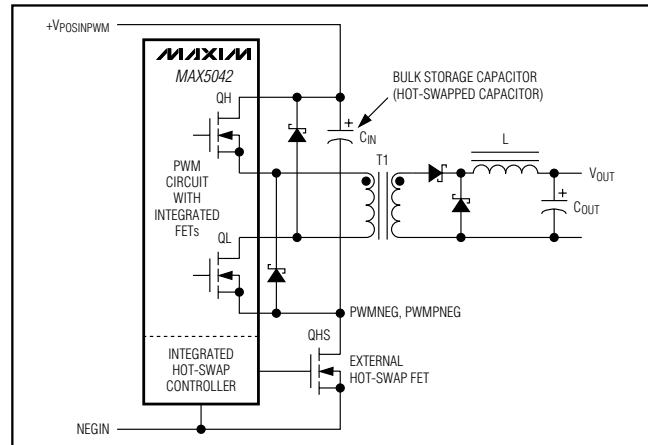


Figure 1. Simplified Diagram of a MAX5042-Based Isolated Power Supply

The MAX5043, detailed in Figure 2, does not contain an integrated hot-swap controller. The MAX5043 begins operating when the input voltage exceeds both of the undervoltage lockout voltages (at UVLO and DEN pins) for 10ms.

The MAX5042/MAX5043 support both forward and flyback power topologies. In forward mode, the maximum output power is approximately 50W. In flyback mode, the maximum output power is approximately 20W. The amount of power dissipated by the package limits the output power. The MAX5042/MAX5043's QFN package features an exposed metal pad on the bottom of the package. Solder the exposed pad directly to the most negative supply in the system. Use a large copper area to improve heat dissipation. Facilitate heat transfer with thermal vias.

Two-Switch Power ICs with Integrated Power MOSFETs and Hot-Swap Controller

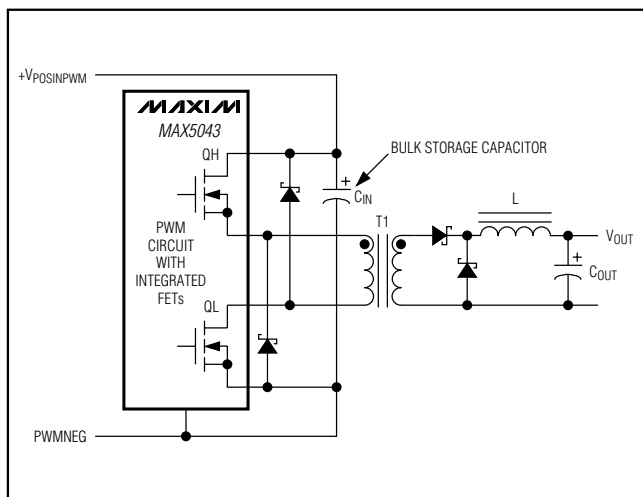


Figure 2. Simplified Diagram of a MAX5043-Based Isolated Power Supply

Set the switching frequency with a resistor and a capacitor at RCOSC. Switching at 250kHz ensures switching losses are minimal and external power passives are small enough for a compact circuit.

The MAX5042/MAX5043 incorporate an advanced set of protection features that make them uniquely suitable when high reliability and comprehensive fault protection are required, as in telecommunication equipment power-supply applications. The MAX5042/MAX5043 15V linear regulator output powers the 9V and 5V regulators used to drive the gates and internal circuitry. A tertiary winding connects to REG15 through a rectifier to power the device after startup and reduces power dissipation in the MAX5042/MAX5043 package. When REG15 is externally powered, the internal 15V regulator is disabled.

Figures 3 and 4 show the block diagrams of the MAX5042 and MAX5043, respectively. The power-OK signals from the hot-swap section, regulators, thermal shutdown, and UVLO combine to generate the internal shutdown signal SHDN. When asserted, SHDN disables the comparators and oscillator. Deasserting SHDN releases the comparators and oscillators. The falling edge of SHDN is delayed allowing the internal signals to settle before the PWM pulses appear. During the time between the falling edge of SHDN and its delayed signal, the 10Ω internal MOSFET (QB) from XFRMRH to PWMPNEG turns on, charging the BST capacitor. After startup, this MOSFET also turns on for approximately 300ns at each half period to help charge the BST capacitor.

Power Topology

The two-switch forward-converter topology offers outstanding robustness against faults and transformer saturation while affording efficient use of the integrated 75mΩ power MOSFETs. Voltage-mode control with feed-forward compensation allows the rejection of input supply disturbances within a single cycle similar to that of current-mode controlled topologies. This control method offers some significant benefits when compared with current-mode control. These benefits include:

- No minimum duty-cycle requirement due to current-signal filtering or blanking.
- Clean modulator ramp and higher amplitude for increased stability.
- Stable bias point of the optocoupler LED and phototransistor for maximized control-loop bandwidth (in current-mode applications, the optocoupler bias point is output-load dependent).
- Predictable loop dynamics simplifying the design of the control loop.

The two-switch power topology recovers energy stored in both the magnetizing and parasitic leakage inductances of the transformer. Figure 7 shows the schematic diagram of a 48V input and 5V, 8A output isolated power supply built with the MAX5042.

The MAX5042/MAX5043 also support current-mode control. Current-mode control has advantages such as a single-pole power circuit and a small-signal transfer function that simplify the design of power supplies with widely varying output capacitors.

Undervoltage Lockout

The MAX5042 has two UVLO functions. Both the hot-swap section and the PWM section contain their own undervoltage lockout comparators (HSEN and UVLO, respectively). The MAX5043 lacks the hot-swapping function, but retains the PWM UVLO and the deglitched undervoltage lockout/power-on reset. In both cases, internal resistors set a default input-voltage enable threshold of 31V (typ).

The PWM default input voltage threshold value can be adjusted by using an external divider in parallel with the internal divider. The tolerances of the external divider resistors dominate the precision of the UVLO trip point if their values are smaller than those of the internal divider. Override the default threshold by using:

$$R_{He} = \frac{R_{Le} \times R_{Li} \times R_{Hi} \times (V_{IN} - V_{REF})}{V_{REF} \times R_{Hi} (R_{Li} + R_{Le}) - R_{Le} \times R_{Li} \times (V_{IN} - V_{REF})}$$

Two-Switch Power ICs with Integrated Power MOSFETs and Hot-Swap Controller

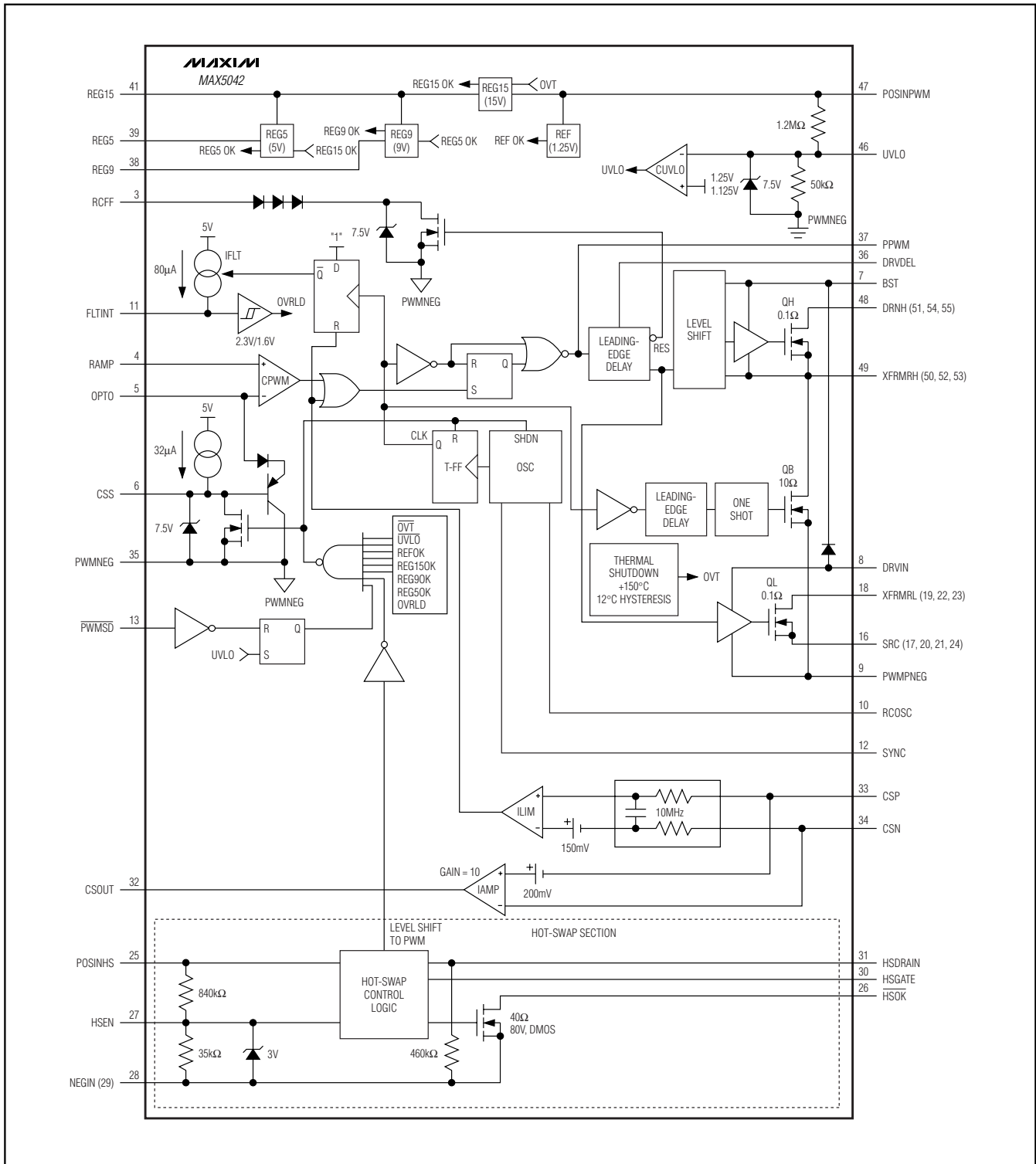


Figure 3. Block Diagram of the MAX5042 Power IC

Two-Switch Power ICs with Integrated Power MOSFETs and Hot-Swap Controller

MAX5042/MAX5043

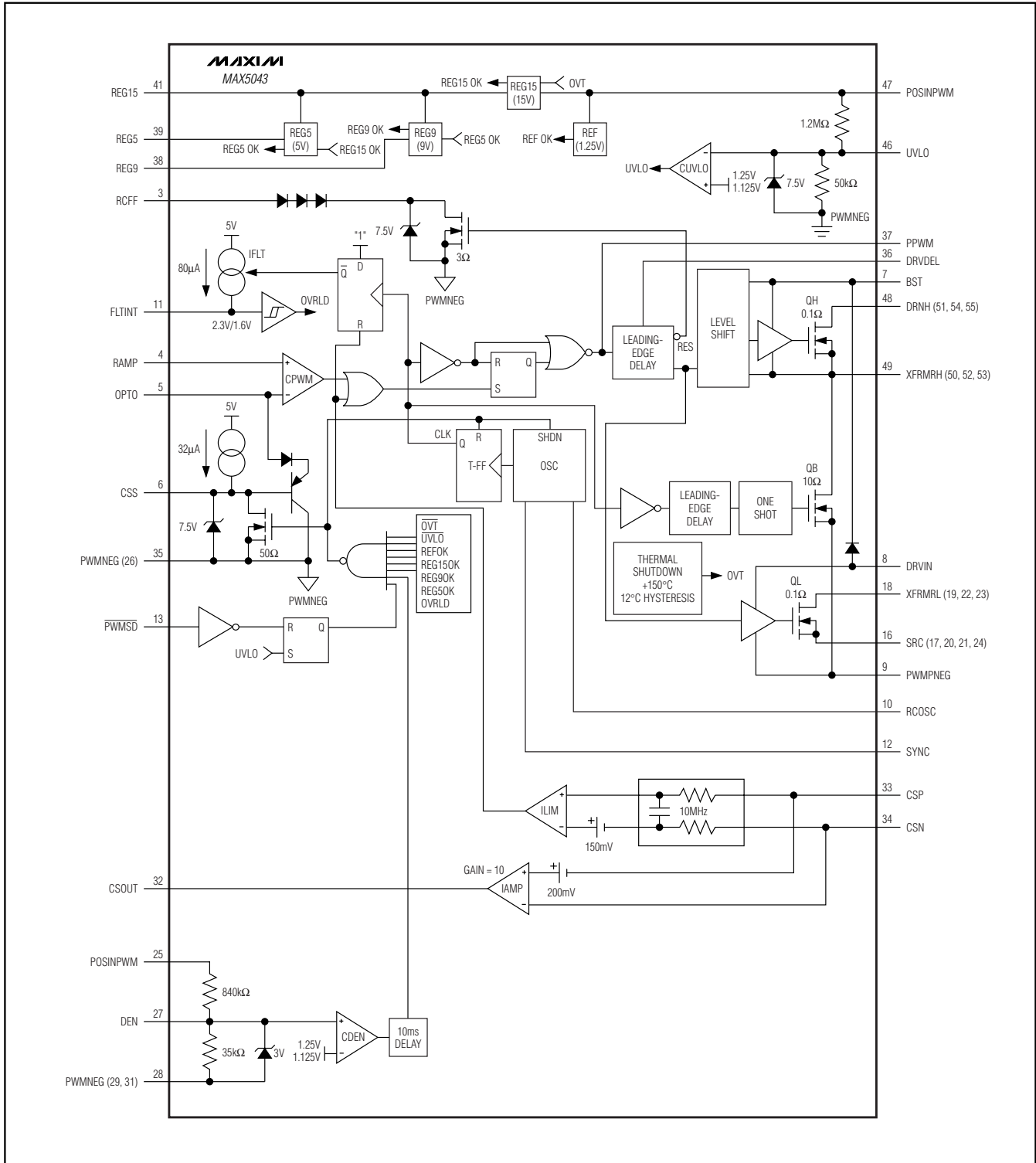


Figure 4. Block Diagram of the MAX5043 Power IC

Two-Switch Power ICs with Integrated Power MOSFETs and Hot-Swap Controller

where R_{He} is the external high-side resistor, R_{Le} is the external low-side resistor, R_{Hi} is the internal high-side resistor (1.2M Ω , typ), R_{Li} is the internal low-side resistor (50k Ω , typ), V_{REF} is 1.27V (typ), and V_{IN} is the desired threshold.

Use an external 100k Ω pullup resistor to POSINPWM to override UVLO functionality for either lockout.

Internal Regulators

An internal high-voltage linear regulator provides a 15V output at REG15. This serves as the input to the 9V regulator that provides bias for the internal MOSFET drivers. The 15V regulator also provides the bias for REG5, a 5V supply used both by internal as well as external circuitry. Bypass the REG15, REG9, and REG5 regulators with 1 μ F ceramic capacitors. A voltage greater than 18V and less than 40V on REG15 disables the internal high-voltage startup regulator. The REG9 regulator steps down the voltage on REG15 to an output of 9V with a current limit of 100mA. The REG5 regulator steps down the voltage on REG15 to an output of 5V with a current limit of 40mA. Disabling the REG15 regulator by powering REG15 with an external power supply considerably reduces the internal power dissipation in the MAX5042/MAX5043. The voltage and power necessary to override the REG15 internal regulator can be generated with a rectifier and an extra winding from the main transformer.

Soft-Start

Program the MAX5042/MAX5043 soft-start with an external capacitor between CSS and PWMNEG. When the device turns on, the soft-start capacitor (C_{CSS}) charges with a constant current of 33 μ A, ramping up to 7.3V. During this time, OPTO is clamped to CSS + 0.6V. This initially holds the duty cycle lower than the value the regulator tries to impose, limiting the current inrush and the voltage overshoot at the secondary. When the MAX5042/MAX5043 turn off, the soft-start capacitor internally discharges to PWMNEG.

Secondary-Side Synchronization

The MAX5042/MAX5043 provide convenient synchronization of the secondary-side synchronous rectifiers. Figure 5 shows the connection diagram with a high-speed optocoupler. Choose an optocoupler with a propagation delay of less than 50ns.

For optimum results, adjust the resistor connected to DRVDEL to provide the required amount of delay between the leading edge of the PPWM signal and the turn-on of the power MOSFETs. Use the following formula to calculate the approximate resistance (R_{DRVDEL})

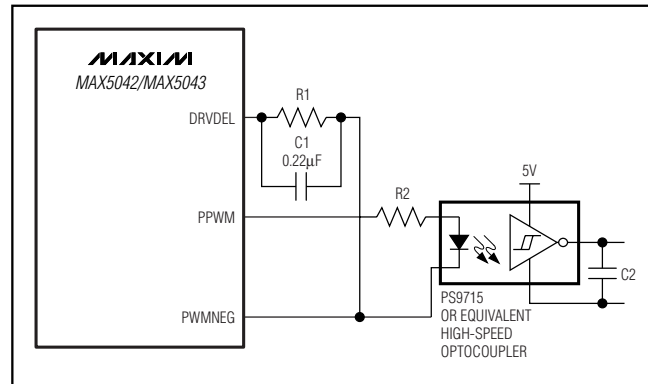


Figure 5. Secondary-Side Synchronous Rectifier Driver Using a High-Speed Optocoupler

required to set the delay between the PPWM and the power pulse applied to the transformer:

$$R_{DRVDEL} = (t_{DRVDEL} - (100\text{ns})) \left(\frac{\text{k}\Omega}{2\text{ns}} \right)$$

where t_{DRVDEL} is the required delay from the rising edge of PPWM to the switching of the internal power MOSFETs.

PWM Regulation

The MAX5042/MAX5043 are multimode PWM power ICs supporting both voltage and current-mode control.

Voltage-Mode Control and the PWM Ramp

For voltage-mode control, the feed-forward PWM ramp is generated at RCFF. From RCFF connect a capacitor to PWMNEG and a resistor to POSINPWM. The ramp generated is applied to the noninverting input of the PWM comparator at RAMP and has a minimum voltage of 1.5V to 2.5V. The slope of the ramp is determined by the voltage at POSINPWM and affects the overall loop gain. The ramp peak must remain below the dynamic range of RCFF (0 to 5.5V). Assuming the maximum duty cycle approaches 50% at a minimum input voltage (PWM UVLO turn-on threshold), use the following formula to calculate the minimum value of either the ramp capacitor or resistor:

$$R_{RCFF} \times C_{RCFF} \geq \frac{V_{INUVLO}}{2f_s \times V_{rP-P}}$$

where:

V_{INUVLO} = the minimum input supply voltage (typically the PWM UVLO turn-on voltage),

f_s = the switching frequency,

V_{rP-P} = the peak-to-peak ramp voltage (2V, typ).

Two-Switch Power ICs with Integrated Power MOSFETs and Hot-Swap Controller

Maximize the signal-to-noise ratio by setting the ramp peak as high as possible. Calculate the low-frequency, small-signal gain of the power stage (the gain from the inverting input of the PWM comparator to the output) using the following formula:

$$G_{PS} = N_{SP} \times R_{RCFF} \times C_{RCFF} \times f_s$$

where N_{SP} = the secondary to primary power transformer turns ratio.

Current-Sense Amplifier and Current-Mode Control

The MAX5042/MAX5043 can also be programmed for current-mode control (see Figure 6). This control method offers beneficial advantages for certain applications. Current-mode control reduces the order of the output filter, allowing easier control-loop compensation. In current-mode control, the voltage across the current-sense resistor at SRC is amplified by the internal gain-of-10 amplifier IAMP. The cycle-by-cycle current-limit threshold is 156mV. This is the peak voltage amplified by IAMP. A 200mV offset is added to this voltage. The voltage at the output of the current-sense amplifier is:

$$V_{CSOUT} = 2 + 10(V_{CSP} - V_{CSN})$$

The low-frequency, small-signal gain of the power stage (the gain from the inverting input of the PWM comparator to the output) can be calculated using the following formula:

$$G_{PS} = N_{PS} \times \frac{R_L}{R_{SENSE}}$$

where N_{PS} = the primary to secondary power transformer turns ratio,

R_L = the low-frequency output impedance,

R_{SENSE} = the primary current-sense resistor value.

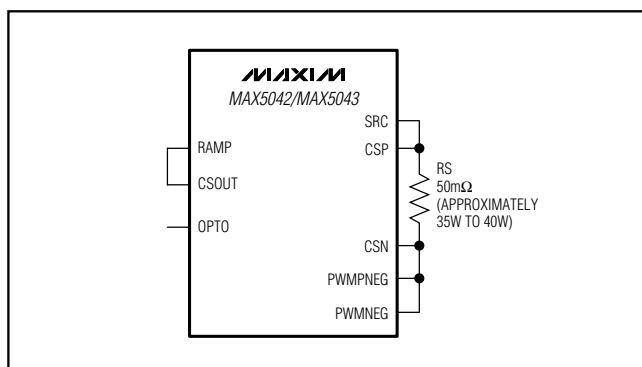


Figure 6. Simplified Connection Diagram for Current-Mode Control

Oscillator and Synchronization

Program the MAX5042/MAX5043 oscillator using an RC network at RCOSC with the resistor connected to REG5 and the capacitor connected to PWMNEG. The PWM frequency is half the frequency at RCOSC.

Use the following formula to calculate the oscillator components:

$$R_{RCOSC} = \frac{1}{2f_s(C_{RCOSC} + C_{PCB}) \ln\left(\frac{V_{REG5}}{V_{REG5} - V_{TH}}\right)}$$

where $C_{PCB} = 14\text{pF}$,

$REG5 = 5\text{V}$,

f_s = switching frequency,

$V_{TH} = RCOSC$ peak trip level.

The delay programmed by the resistor at DRVDEL limits the power MOSFET's maximum duty cycle to less than 50 percent.

SYNC allows synchronization of the MAX5042/MAX5043 to an external clock. For proper synchronization, set the external SYNC frequency 15% to 20% higher than the programmed free-running frequency of the MAX5042/MAX5043's internal oscillator. The actual switching frequency will be half the synchronizing frequency.

Integrating Fault Protection

The integrating fault protection feature allows the MAX5042/MAX5043 to ignore transient overcurrent conditions for a programmable amount of time, giving the power supply time to behave like a current source to the load. This can happen, for example, under load-current transients when the control loop requests maximum current to keep the output voltage from going out of regulation. Program the ignore time externally by connecting a capacitor to FLTINT. Under sustained overcurrent faults, the voltage across this capacitor ramps up toward the FLTINT shutdown threshold (typically 2.7V). When FLTINT reaches the threshold, the power supply shuts down. A high-value bleed resistor connected in parallel with the FLTINT capacitor allows the capacitor to discharge toward the restart threshold (typically 1.8V). Crossing the restart threshold soft-starts the supply again.

The ILIM comparator provides cycle-by-cycle current limiting with a typical threshold of 156mV. The fault integration circuit works by forcing an 80μA current out of FLTINT for one clock cycle every time the current-limit comparator (Figures 3 and 4, ILIM) trips. Use the following formula to calculate the approximate capacitance (C_{FLTINT}) needed for the desired shutdown time.

Two-Switch Power ICs with Integrated Power MOSFETs and Hot-Swap Controller

$$C_{FLTINT} \cong \frac{I_{FLTINT} \times t_{SH}}{1.4}$$

where $I_{FLTINT} = 80\mu\text{A}$,

t_{SH} is the desired ignore time during which current-limit events from the current-limit comparator are ignored.

Some testing may be required to fine tune the actual value of the capacitor.

Calculate the approximate bleed resistance (R_{FLTINT}) needed for the desired recovery time using the following formula:

$$R_{FLTINT} \cong \frac{t_{RT}}{C_{FLTINT} \ln \left(\frac{2.3}{1.6} \right)}$$

where t_{RT} is the desired recovery time.

Choose at least $t_{RT} = 10 \times t_{SH}$. Typical values for t_{SH} range from a few hundred microseconds to a few milliseconds.

Shutdown Modes

Latched Shutdown

The MAX5042/MAX5043 feature a latched shutdown that terminates switching in the event of a serious fault. External faults in synchronously rectified power supplies cause a loss of control for the rectifiers. Either the body or the external Schottky diodes conduct, resulting in a very high power dissipation and a quick rise of the power-supply temperature. A thermal sensor placed on the same ground plane as the secondary-side rectifiers can sense this catastrophic increase in temperature and issue a shutdown signal to $\overline{\text{PWMSD}}$. Asserting $\overline{\text{PWMSD}}$ stops switching and latches the fault until the power is cycled. Connect $\overline{\text{PWMSD}}$ to REG5 to disable latched shutdown.

Functional Shutdown

Shut down the MAX5042/MAX5043 by pulling UVLO to PWMNEG using an open-collector or open-drain transistor connected to PWMNEG. Pulling HSEN to NEGIN also shuts down the MAX5042 after a 10ms turn-off delay. Pulling DEN low also shuts down the MAX5043 with a 1ms turn-off delay. When HSEN is used, the MAX5042 goes through a full hot-swap startup sequence with a 165ms startup delay. The MAX5043 also has a 10ms delay from when DEN asserts.

Thermal Shutdown

The MAX5042/MAX5043 feature internal thermal shutdown. Internal sensors monitor the high-power areas. Thermal faults arise from excessive dissipation in the power FETs or in the regulators. When the temperature limit is reached, switching is terminated and the regulator shuts down. The integration of thermal shutdown and the power MOSFETs result in a very robust power circuit.

MAX5042 Hot-Swap Controller

The MAX5042 integrates a PWM power IC with a hot-swap controller. The design allows a power supply built around the MAX5042 to be safely hot-plugged into a live backplane without causing a glitch on the power-supply rail. The hot-swap section operates from POSINHS to NEGIN. The MAX5042 only requires an external N-channel MOSFET to provide hot-swap control. Figures 1 and 3 detail hot-swap functionality.

The MAX5042 controls an external N-channel power MOSFET placed in the negative power-supply pathway. When power is applied, the MAX5042 keeps the MOSFET off. The MOSFET remains off indefinitely if HSEN is below 1.26V, POSINHS is below the undervoltage lockout level (31V), or the die temperature exceeds $+150^{\circ}\text{C}$. If none of these conditions exist for 165ms, the MAX5042 gradually turns on the MOSFET, allowing the voltage on HSDRAIN to fall no faster than 10V/ms. During this period, the PWM block remains in shutdown. The inrush current through the external MOSFET (and therefore through the capacitor C_{IN}) is limited to a level proportional to its capacitance, and the constant HSDRAIN slew rate. After the MOSFET completely turns on, and HSDRAIN falls to its final value, the hot-swap period is terminated and the PWM section of the IC powers up.

HSEN offers external control of the MAX5042, facilitating power-supply sequencing. HSEN can also be used to change the undervoltage lockout level using an external divider network, if necessary. Undervoltage lockout keeps the external hot-swap MOSFET switched off as long as the magnitude of the input voltage is below the desired level. There is a 10ms turn-off delay on the HSEN signal.

A power-good output, $\overline{\text{HSOK}}$, asserts when the external MOSFET completely turns on. HSOK is an open-drain output referenced to NEGIN, and can withstand up to 80V above NEGIN.

Two-Switch Power ICs with Integrated Power MOSFETs and Hot-Swap Controller

Determining Hot-Swap Inrush Current

Calculate the hot-swap inrush current using the following formula:

$$I_{CIN} = C_{IN} \frac{dV_{HSDRAIN}}{dt} = C_{IN} S_{HSLR}$$

where:

C_{IN} = the load capacitance,

S_{HSLR} is the MAX5042 hot-swap slew rate magnitude given in the *Electrical Characteristics* table.

For example, assuming an input bulk capacitance of 100 μ F, and using the typical value of 10V/ms for the slew rate, the calculated inrush current is 1A. See Table 1 for suggested external hot-swap MOSFETs.

Table 1. MAX5042 Suggested External Hot-Swap MOSFETs

| MAXIMUM I_{LOAD} (A) | SUGGESTED EXTERNAL MOSFET |
|------------------------|---------------------------|
| 0.25 | IRFL110 |
| 0.5 | IRFL4310 |
| 1 | IRFR3910 |
| 2 | IRF540NS |
| 3 | IRF1310NS |
| 4 | IRF1310NS |

MAX5042/MAX5043

Typical Application Circuits

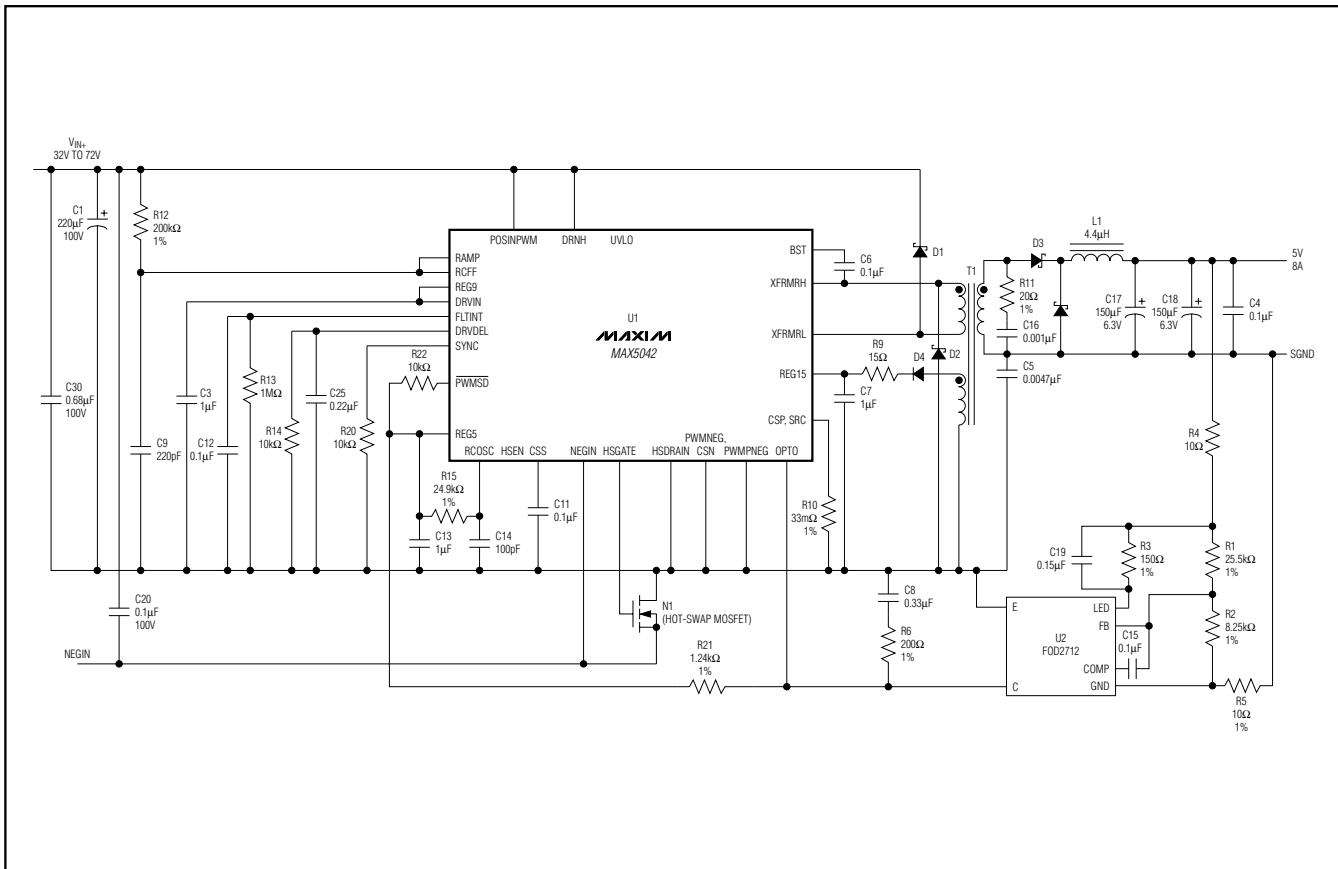


Figure 7. MAX5042 Typical Application Circuit (48V Power Supply with Hot-Swap Capability)

Two-Switch Power ICs with Integrated Power MOSFETs and Hot-Swap Controller

MAX5042/MAX5043

Typical Application Circuits (continued)

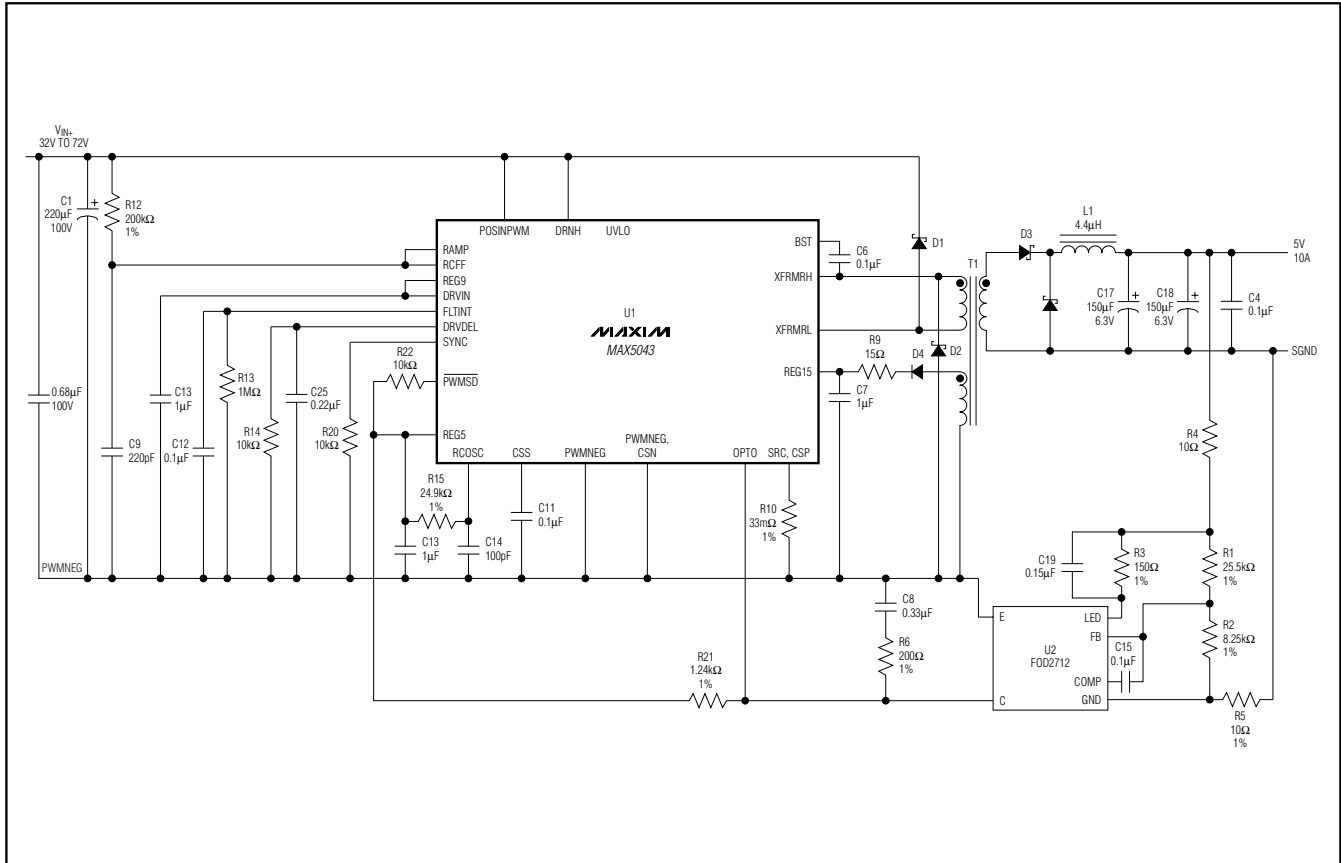
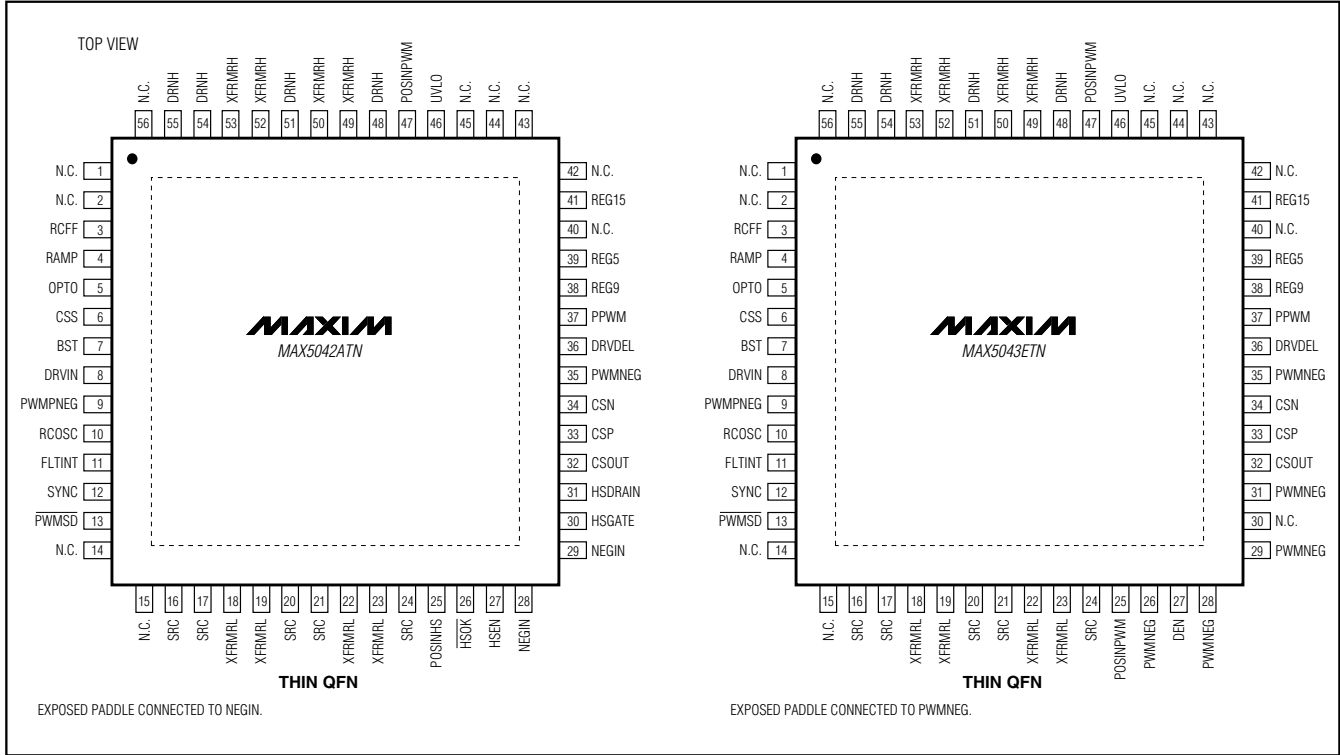


Figure 8. MAX5043 Typical Application Circuit (48V Power Supply without Hot-Swap Capability, this Circuit has not been Tested)

Two-Switch Power ICs with Integrated Power MOSFETs and Hot-Swap Controller

Pin Configurations

MAX5042/MAX5043



Chip Information

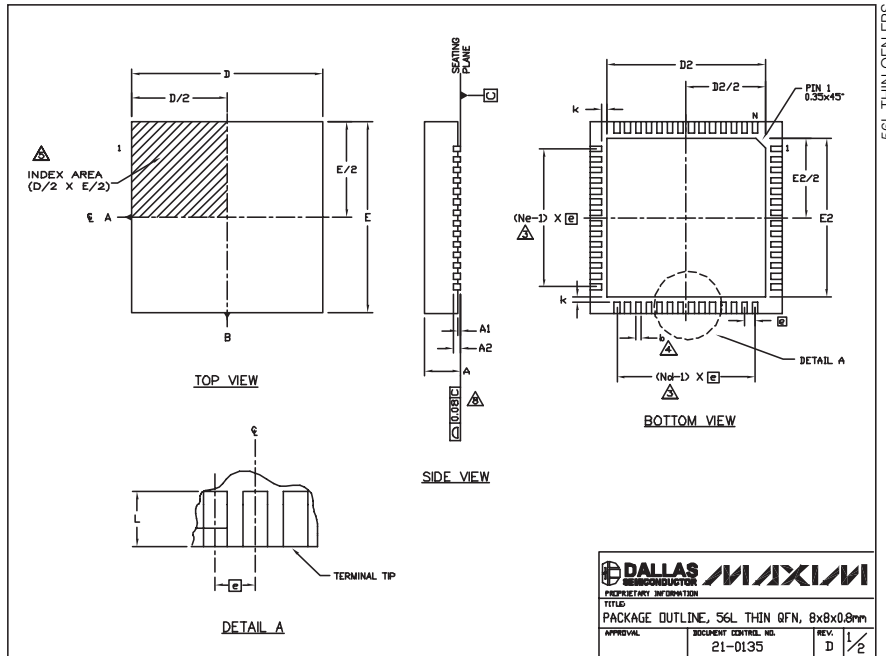
TRANSISTOR COUNT: 35,247

PROCESS: BiCMOS DMOS

Two-Switch Power ICs with Integrated Power MOSFETs and Hot-Swap Controller

Package Information

(The package drawing(s) in this data sheet may not reflect the most current specifications. For the latest package outline information, go to www.maxim-ic.com/packages.)



NOTES:

- DIE THICKNESS ALLOWABLE IS 0.225mm MAXIMUM (0.009 INCHES MAXIMUM).
- DIMENSIONING & TOLERANCES CONFORM TO ASME Y14.5M. - 1994.
- N IS THE NUMBER OF TERMINALS.
Nd IS THE NUMBER OF TERMINALS IN X-DIRECTION &
Ne IS THE NUMBER OF TERMINALS IN Y-DIRECTION.
- DIMENSION b APPLIES TO PLATED TERMINAL AND IS MEASURED BETWEEN 0.20 AND 0.25mm FROM TERMINAL TIP.
- THE PIN #1 IDENTIFIER MUST BE LOCATED ON THE TOP SURFACE OF THE PACKAGE WITHIN HATCHED AREA AS SHOWN. EITHER AN INDENTATION MARK OR INK/LASER MARK IS ACCEPTABLE.
- ALL DIMENSIONS ARE IN MILLIMETERS.
- PACKAGE WARPAGE MAX 0.01mm.
- APPLIES TO EXPOSED PAD AND TERMINALS. EXCLUDES INTERNAL DIMENSION OF EXPOSED PAD.
- MEETS JEDEC MO220.

| PKG. CODE | EXPOSED PAD VARIATION | | | | | | JEDEC | DOWN BOND ALLOWED |
|-----------|-----------------------|------|------|------|------|------|--------|-------------------|
| | D2 | | | E2 | | | | |
| | MIN. | NOM. | MAX. | MIN. | NOM. | MAX. | | |
| T5688-1 | 6.50 | 6.65 | 6.70 | 6.50 | 6.65 | 6.70 | WLLD-5 | NO |
| T5688-2 | 6.50 | 6.65 | 6.70 | 6.50 | 6.65 | 6.70 | WLLD-5 | YES |
| T5688-3 | 6.50 | 6.65 | 6.70 | 6.50 | 6.65 | 6.70 | WLLD-5 | NO |

DALLAS MAXIM
 SEMICONDUCTOR
 PROPRIETARY INFORMATION
 TITLE: PACKAGE OUTLINE, 56L THIN QFN, 8x8x0.8mm
 APPROVAL: _____ DOCUMENT CONTROL NO. 21-0135 REV: D 2/2

Maxim cannot assume responsibility for use of any circuitry other than circuitry entirely embodied in a Maxim product. No circuit patent licenses are implied. Maxim reserves the right to change the circuitry and specifications without notice at any time.

22 Maxim Integrated Products, 120 San Gabriel Drive, Sunnyvale, CA 94086 408-737-7600