



**LT0323-41-SB96**

**3.0MM ROUND LAMP**

**Features**

- \* LOW CURRENT REQUIREMENTS
- \* HIGH LIGHT OUTPUT
- \* RELIABLE AND RUGGEN
- \* IC COMPATIBLE

**Absolute Maximum Ratings at T<sub>A</sub>=25°C**

REVERSE VOLTAGE (<100 μ A).....	4.0 V
D.C. FORWARD CURRENT.....	30 mA
PULSE CURRENT (1/10 DUTY CYCLE,0.1 ms PULSE WIDTH).....	100 mA
OPERATING TEMPERATURE RANGE.....	-25°C TO +85°C
STORAGE TEMPERATURE RANGE.....	-25°C TO +100°C
LEAD SOLDERING TEMP. (1.6mm FROM BODY).....	260°C FOR 5 SEC.

**Electrical/optical characteristics at T<sub>A</sub>=25°C**

PART NUMBER	LED CHIP		LENS COLOR	WAVELENGTH TYP. I <sub>f</sub> @20mA (nm)		FORWARD VOLTAGE @20mA(V)		LUMINOUS INTENSITY @20mA(mcd)		VIEW ANGLE 2 θ 1/2 (deg)
	MATERIAL	EMITTING COLOR		λ p	λ d	TYP.	MAX.	MIN.	TYP.	
LT0323-41-SB96	AlGaInP	GREENISH YELLOW	W.C.	573 ± 5	571 ± 5	2.1	2.4	150	300	25

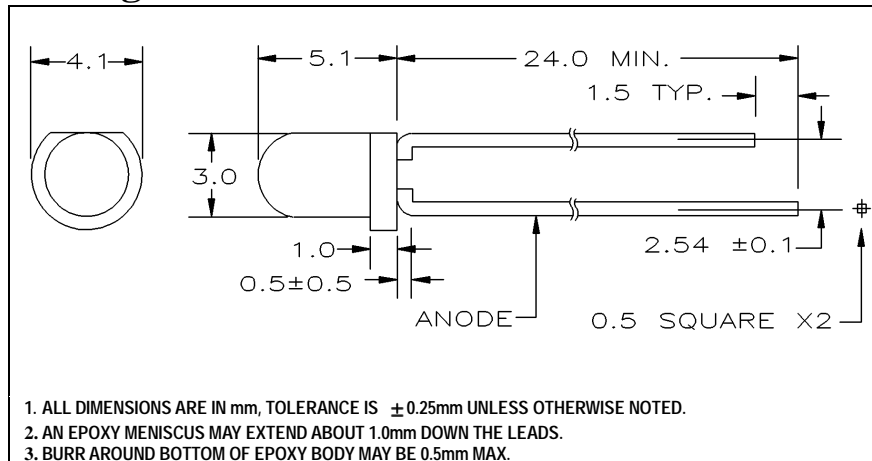
(1) LENS COLOR

W.C.....WATER CLEAR

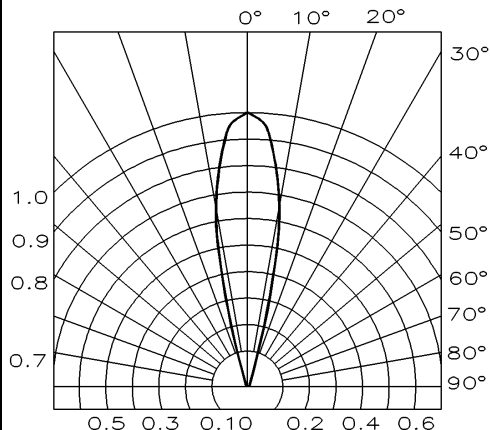
(2) SPECIFICATIONS ARE SUBJECT TO CHANGE WITHOUT NOTICE.

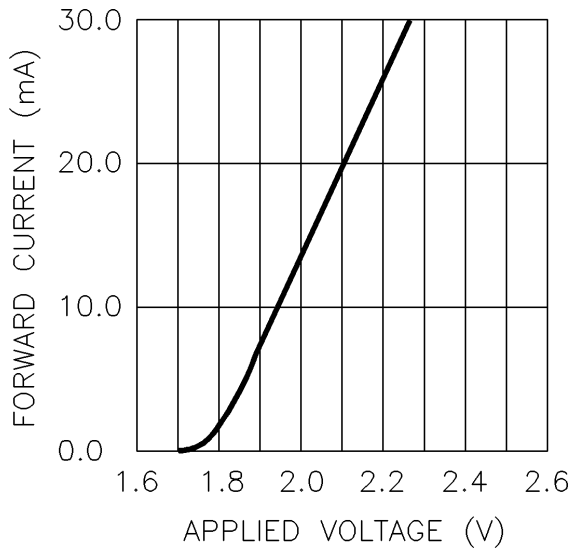
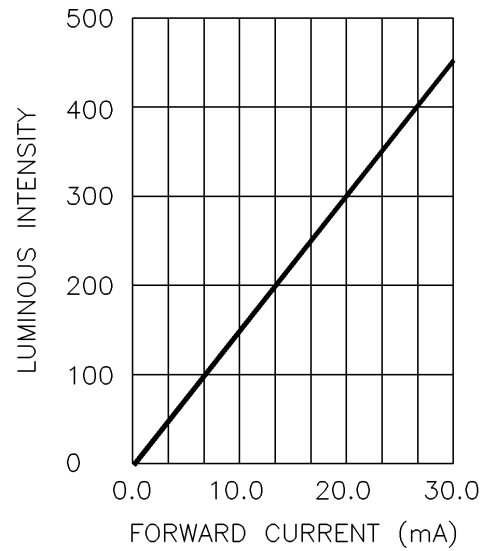
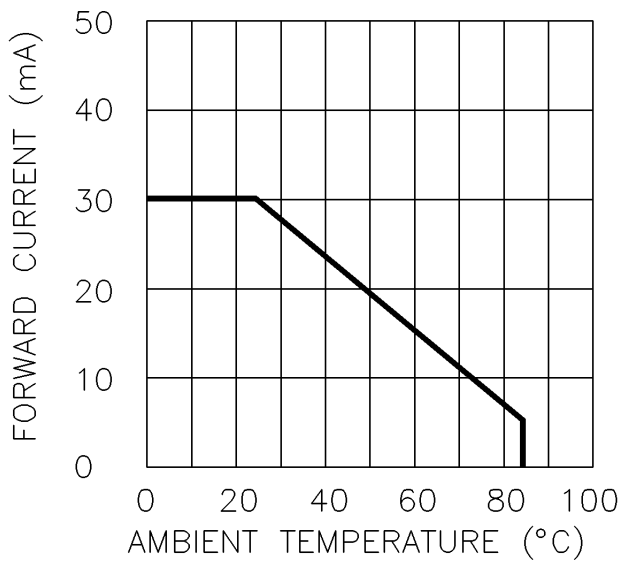
(3) ALL ABOVE COMPONENTS ARE CONSIDERED. DEVIATIONS FROM STATED SPECIFICATIONS WILL REQUIRE A NEW PART NUMBER BE ASSIGNED.

**Package Dimensions**



**Radiation Pattern**



**Forward Current vs. Applied Voltage****Luminous Intensity vs. Forward Current****Forward Current vs. Ambient Temperature****Relative Intensity vs. Wavelength**