

PRATT

Henry Pratt Company

401 S. Highland Avenue

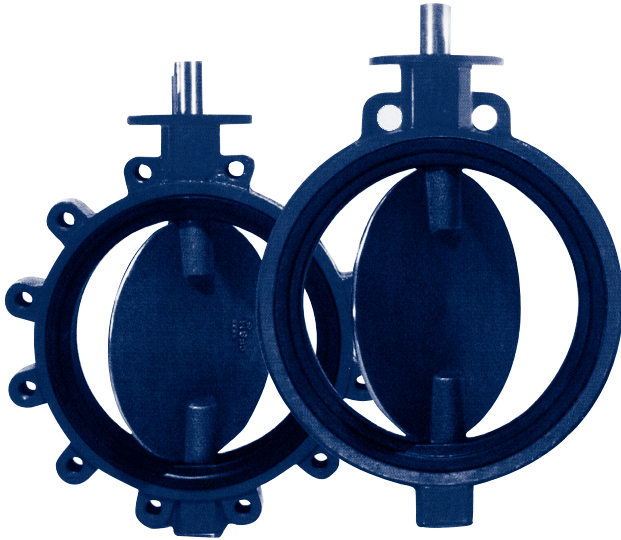
Aurora, IL 60506

Phone: 877-436-7977

Fax: 630-844-4124

www.henrypratt.com

Rubber Seated Butterfly Valve Series 100/200



Construction Specifications:

Sizes: 2" through 48"

Body: Cast Iron — Wafer or Lug*

Disc: Ductile Iron
Epoxy Coated Stainless Steel
Aluminum Bronze

Stem: Stainless Steel

Resilient Seat: EPDM BUNA-N Viton

Actuation Options: Worm Gear Lever
Pneumatic Electric

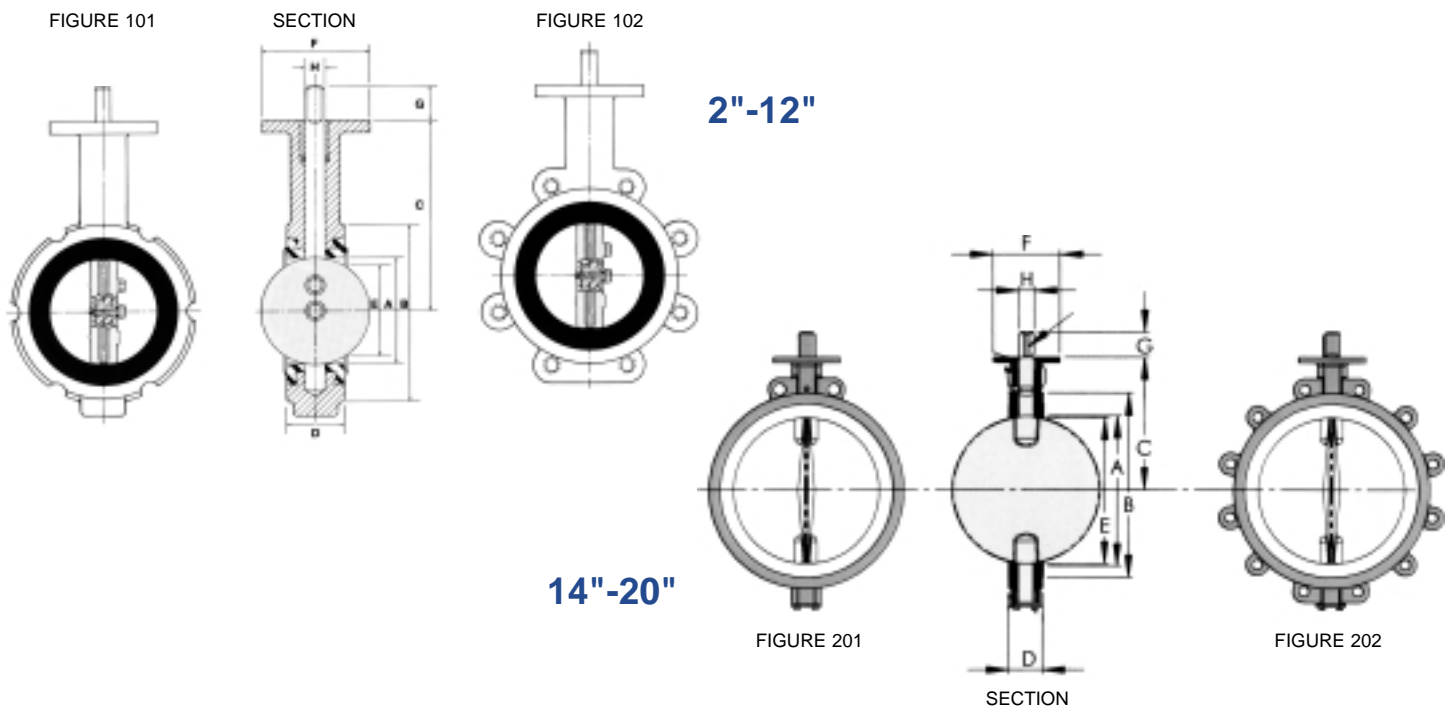
Pressure Ratings: 2"-12" — 175 psi
14" and larger — 150 psi

*for installation between ANSI Class 125 flanges

Features:

- All cast body machined to high tolerances. Guaranteed standard dimensions for interchangeability of parts and actuators.
- Shaft bushings are impact and corrosion resistant materials. Protects the shaft from side thrust of actuators.
- Special double-V-shape of stem seal self-adjusts to protect the stem area for either vacuum or pressure use.
- Stem and body are isolated from line media by seal created between disc flats and flat surface of seat.
- The special snap-in Resil-O-Seat design fixes seat in place without bonding. The Resil-O-Seat is 100% field replaceable — no tools required.
- Molded O-ring in the Resil-O-Seat forms a seal against all standard flanges. Gasketing requirements are eliminated.
- Disc edge is machined and buffed, providing a bubble tight shutoff and maximum seat life.
- All valves are factory tested at their rated pressure.





Valve Dimensions

Size	A	B	C	D	E	F	G	H
2"	2-1/8	4-1/8	5-1/2	1-5/8	1-11/16	4	1-1/4	9/16
2.5"	2-9/16	4-7/8	6	1-3/4	2-3/16	4	1-1/4	9/16
3"	3-1/8	5-3/8	6-1/4	1-3/4	2-7/8	4	1-1/4	9/16
4"	4-1/8	6-7/8	7	2	3-7/8	4	1-1/4	5/8
5"	5-3/16	7-5/8	7-1/2	2-1/8	5	4	1-1/4	5/8
6"	6-1/8	8-3/4	8	2-1/8	6	4	1-1/4	5/8
8"	8-1/8	11	9-1/2	2-1/2	8	6	1-1/4	3/4
10"	10-1/8	13-3/8	10-3/4	2-1/2	10-1/16	6	1-1/4	7/8
12"	12-3/32	16-1/8	12-1/4	3	11-15/16	6	2	1-1/8
14"	13-1/4	17-9/16	12	3	13-1/8	6	2-1/4	1-3/8
16"	15-1/4	20-1/8	12-61/64	4	15	6	2-1/4	1-5/8
18"	17-1/4	21-1/2	14-1/2	4-1/4	16-7/8	8	3	1-7/8
20"	19-1/4	23-3/4	15-7/8	5	18-3/4	8	3	2-1/8
24" and larger — consult factory								

Note: Valves cannot be used on a pipe or flange with an inside diameter less than the "E" dimension.

General Service Rubber Seated Butterfly Valve Specifications

General

Valves shall be of the wafer (or lug wafer) design for installation between ANSI B16.1 125# flanges. All valves shall be capable of bi-directional, bubble tight service to the rated pressure. Valves shall be Pratt Series 100/200 or approved equal.

Pressure rating

2" through 12" – 200 psi
14" and larger – 150 psi

Body

The valve body shall be cast iron ASTM A-126 Class B. Laying length shall conform to MSS-SP67, latest revision.

Disc

Valve disc shall be epoxy coated ductile iron ASTM A-536 Grade 65-45-12 (or 316 stainless steel).

Shaft

Valve shaft shall be stainless steel type 416 or 17-4.

Seat

Seat shall be EPDM (or Buna-n or Viton). Seats shall be located in the valve body and shall be field replaceable.

Shaft Seal

Shaft seal shall be self adjusting V-type and shall be suitable for pressure or vacuum service.

Testing

All valve shall be leak tested in the factory at their rated pressure.