



# PowerPC™

## Technical Data

# MPC750A RISC Microprocessor Hardware Specifications

This document is primarily concerned with the MPC750, however, unless otherwise noted, all information here applies also to the MPC740. The MPC750 and MPC740 are implementations of the PowerPC™ family of reduced instruction set computing (RISC) microprocessors. This document describes pertinent physical characteristics of the MPC750. For functional characteristics of the processor, refer to the *MPC750 RISC Microprocessor User's Manual*.

The MPC750 (and MPC740) is implemented in several semiconductor fabrication processes. Different processes may require different supply voltages and may have other electrical differences but will have the same functionality. As a designator to distinguish between MPC750 implementations in various processes, a suffix is added to the MPC750 part number as shown below:

**Table 1. MPC750 Microprocessors from Motorola**

Part Number	Process	Core Voltage	I/O Voltage	5-Volt Tolerant
MPC750A, MPC740A	0.29 $\mu\text{m}$ CMOS, 5LM	2.6 V	3.3 V	No
XPC750P, XPC740P	0.25 $\mu\text{m}$ CMOS, 5LM	1.9 V	3.3 V	No

This document will describe only the MPC750A implementation. The XPC750P is described in a separate document.

This document contains the following topics:

<b>Topic</b>	<b>Page</b>
Section 1.1, “Overview”	3
Section 1.2, “Features”	4
Section 1.3, “General Parameters”	6
Section 1.4, “Electrical and Thermal Characteristics”	6
Section 1.4.1, “DC Electrical Characteristics”	6
Section 1.4.2, “AC Electrical Characteristics”	10
Section 1.4.2.1, “Clock AC Specifications”	10
Section 1.4.2.2, “60x Bus Input AC Specifications”	12
Section 1.4.2.3, “60x Bus Output AC Specifications”	14
Section 1.4.2.4, “L2 Clock AC Specifications”	15
Section 1.4.2.5, “L2 Bus Input AC Specifications”	18
Section 1.4.2.6, “L2 Bus Output AC Specifications”	19
Section 1.5, “Pin Assignments”	23
Section 1.6, “Pinout Listings”	25
Section 1.7, “Package Description”	29
Section 1.8, “System Design Information”	31
Section 1.9, “Document Revision History”	42

To locate any published errata or updates for this document, refer to the website at <http://www.mot.com/PowerPC/>.

# 1.1 Overview

The MPC750 is targeted for low-cost, low-power systems and supports the following power management features—doze, nap, sleep, and dynamic power management. The MPC750 consists of a processor core and an internal L2 Tag combined with a dedicated L2 cache interface and a 60x bus.

Figure 1 shows a block diagram of the MPC750.

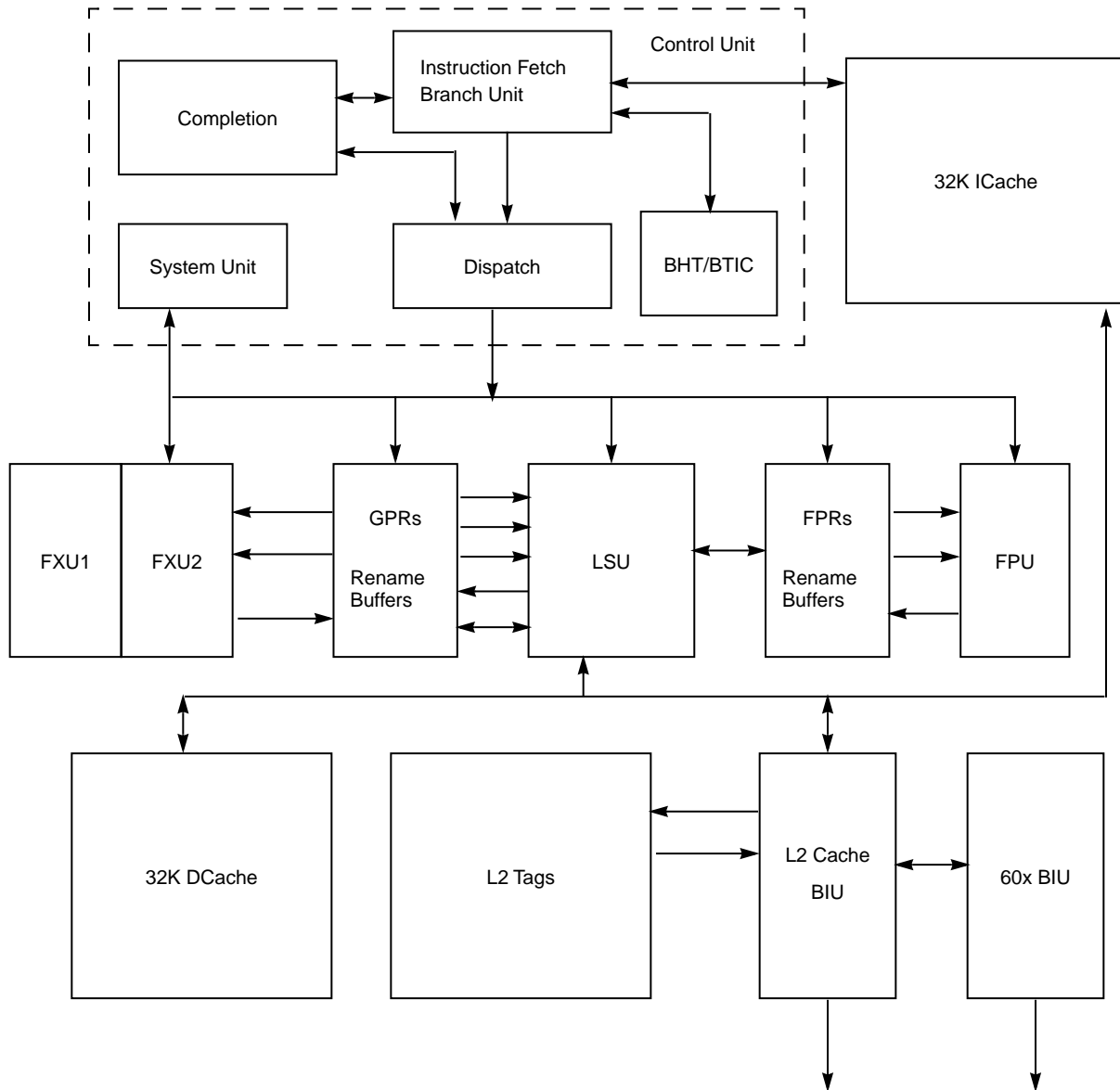


Figure 1. MPC750 Block Diagram

## 1.2 Features

This section summarizes features of the MPC750's implementation of the PowerPC architecture. Major features of the MPC750 are as follows:

- Branch processing unit
  - Four instructions fetched per clock
  - One branch processed per cycle (plus resolving 2 speculations)
  - Up to 1 speculative stream in execution, 1 additional speculative stream in fetch
  - 512-entry branch history table (BHT) for dynamic prediction
  - 64-entry, 4-way set associative branch target instruction cache (BTIC) for eliminating branch delay slots
- Dispatch unit
  - Full hardware detection of dependencies (resolved in the execution units)
  - Dispatch two instructions to six independent units (system, branch, load/store, fixed-point unit 1, fixed-point unit 2, or floating-point)
  - Serialization control (predispatch, postdispatch, execution serialization)
- Decode
  - Register file access
  - Forwarding control
  - Partial instruction decode
- Load/store unit
  - One cycle load or store cache access (byte, half-word, word, double-word)
  - Effective address generation
  - Hits under misses (one outstanding miss)
  - Single-cycle misaligned access within double word boundary
  - Alignment, zero padding, sign extend for integer register file
  - Floating-point internal format conversion (alignment, normalization)
  - Sequencing for load/store multiples and string operations
  - Store gathering
  - Cache and TLB instructions
  - Big- and little-endian byte addressing supported
  - Misaligned little-endian support in hardware
- Fixed-point units
  - Fixed-point unit 1 (FXU1)—multiply, divide, shift, rotate, arithmetic, logical
  - Fixed-point unit 2 (FXU2)—shift, rotate, arithmetic, logical
  - Single-cycle arithmetic, shift, rotate, logical
  - Multiply and divide support (multi-cycle)
  - Early out multiply
- Floating-point unit
  - Support for IEEE-754 standard single- and double-precision floating-point arithmetic
  - 3 cycle latency, 1 cycle throughput, single-precision multiply-add

- 3 cycle latency, 1 cycle throughput, double-precision add
- 4 cycle latency, 2 cycle throughput, double-precision multiply-add
- Hardware support for divide
- Hardware support for denormalized numbers
- Time deterministic non-IEEE mode
- System unit
  - Executes CR logical instructions and miscellaneous system instructions
  - Special register transfer instructions
- Cache structure
  - 32K, 32-byte line, 8-way set associative instruction cache
  - 32K, 32-byte line, 8-way set associative data cache
  - Single-cycle cache access
  - Pseudo-LRU replacement
  - Copy-back or write-through data cache (on a page per page basis)
  - Supports all PowerPC memory coherency modes
  - Non-blocking instruction and data cache (one outstanding miss under hits)
  - No snooping of instruction cache
- Memory management unit
  - 128 entry, 2-way set associative instruction TLB
  - 128 entry, 2-way set associative data TLB
  - Hardware reload for TLBs
  - 4 instruction BATs and 4 data BATs
  - Virtual memory support for up to 4 exabytes ( $2^{52}$ ) of virtual memory
  - Real memory support for up to 4 gigabytes ( $2^{32}$ ) of physical memory
- Level 2 (L2) cache interface (not implemented on MPC740)
  - Internal L2 cache controller and 4K-entry tags; external data SRAMs
  - 256K, 512K, and 1 Mbyte 2-way set associative L2 cache support
  - Copy-back or write-through data cache (on a page basis, or for all L2)
  - 64-byte (256K/512K) and 128-byte (1-Mbyte) sectored line size
  - Supports flow-through (reg-buf) synchronous burst SRAMs, pipelined (reg-reg) synchronous burst SRAMs, and pipelined (reg-reg) late-write synchronous burst SRAMs
  - Core-to-L2 frequency divisors of  $\div 1$ ,  $\div 1.5$ ,  $\div 2$ ,  $\div 2.5$ , and  $\div 3$  supported
- Bus interface
  - Compatible with 60x processor interface
  - 32-bit address bus
  - 64-bit data bus
  - Bus-to-core frequency multipliers of 3x, 3.5x, 4x, 4.5x, 5x, 5.5x, 6x, 6.5x, 7x, 7.5x, 8x supported
- Integrated power management
  - Low-power 2.6/3.3-volt design
  - Three static power saving modes: doze, nap, and sleep

## General Parameters

- Automatic dynamic power reduction when internal functional units are idle
- Integrated Thermal Management Assist Unit
  - On-chip thermal sensor and control logic
  - Thermal Management Interrupt for software regulation of junction temperature.
- Testability
  - LSSD scan design
  - JTAG interface
- Reliability and serviceability—Parity checking on 60x and L2 cache buses

## 1.3 General Parameters

The following list provides a summary of the general parameters of the MPC750:

Technology:	0.29 $\mu$ m CMOS, five-layer metal
Die size:	7.56 mm x 8.79 mm (67 mm <sup>2</sup> )
Transistor count	6.35 million
Logic design	Fully-static
Packages	MPC740: Surface mount 255 ceramic ball grid array (CBGA) without L2 interface MPC750: Surface mount 360 ceramic ball grid array (CBGA) with L2 interface
Core power supply:	2.6V $\pm$ 100 mV
I/O power supply	3.3V $\pm$ 5% V dc

## 1.4 Electrical and Thermal Characteristics

This section provides the AC and DC electrical specifications and thermal characteristics for the MPC750.

### 1.4.1 DC Electrical Characteristics

The tables in this section describe the MPC750 DC electrical characteristics. Table 2 provides the absolute maximum ratings.

**Table 2. Absolute Maximum Ratings**

Characteristic	Symbol	MPC750A Value	Unit	Notes
Core supply voltage	Vdd	−0.3 to 2.75	V	4
PLL supply voltage	AVdd	−0.3 to 2.75	V	4
L2 DLL supply voltage	L2AVdd	−0.3 to 2.75	V	4
60x bus supply voltage	OVdd	−0.3 to 3.6	V	3,5

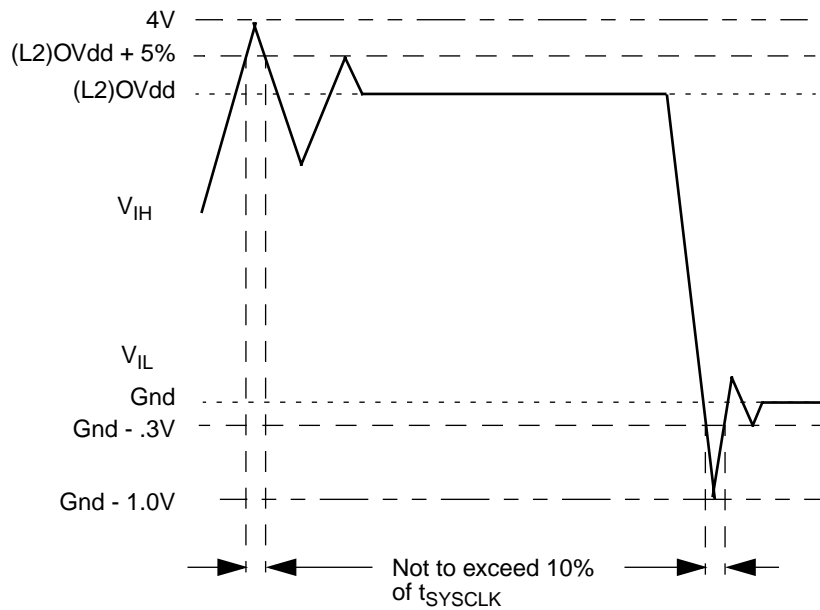
**Table 2. Absolute Maximum Ratings (Continued)**

Characteristic	Symbol	MPC750A Value	Unit	Notes
L2 bus supply voltage	L2OVdd	-0.3 to 3.6	V	3,5
Input voltage	V <sub>in</sub>	-0.3 to 3.6	V	2
Storage temperature range	T <sub>stg</sub>	-55 to 150	°C	

**Notes:**

1. Functional and tested operating conditions are given in Table 3. Absolute maximum ratings are stress ratings only, and functional operation at the maximums is not guaranteed. Stresses beyond those listed may affect device reliability or cause permanent damage to the device.
2. **Caution:** V<sub>in</sub> must not exceed OVdd/L2OVdd by more than 0.3V at any time including during power-on reset.
3. **Caution:** OVdd/L2OVdd must not exceed Vdd/AVdd by more than 1.2V at any time including during power-on reset.
4. **Caution:** Vdd/AVdd/L2AVdd must not exceed OVdd/L2OVdd by more than 0.4V at any time including during power-on reset.
5. V<sub>in</sub> may overshoot/undershoot to a voltage and for a maximum duration as shown in Figure 2

Figure 2 shows the allowable overshoot and undershoot voltage on the MPC750.



**Figure 2. Overshoot/Undershoot Voltage**

Table 3 provides the recommended operating conditions for the MPC750.

**Table 3. Recommended Operating Conditions**

Characteristic	Symbol	MPC750A Value	Unit	Notes
Core supply voltage	Vdd	2.6 ± 100mv	V	
PLL supply voltage	AVdd	2.6 ± 100mv	V	
L2 DLL supply voltage	L2AVdd	2.6 ± 100mv	V	
60x bus supply voltage	OVdd	3.135 to 3.465	V	

## Electrical and Thermal Characteristics

**Table 3. Recommended Operating Conditions (Continued)**

Characteristic	Symbol	MPC750A Value	Unit	Notes
L2 bus supply voltage	L2OVdd	2.5 to 3.465	V	
Input voltage	$V_{in}$	GND to OVdd	V	
Die-junction temperature	$T_j$	0 to 105	°C	
	$T_j$	-40 to 105	°C	1

**Note:** These are the recommended and tested operating conditions. Proper device operation outside of these conditions is not guaranteed.

1. For extended temperature parts marked MPC750ARXnnnTH or MPC740ARXnnnTH only (where nnn is the operating frequency from Table 8).

Table 4 provides the package thermal characteristics for the MPC750.

**Table 4. Package Thermal Characteristics**

Characteristic	Symbol	Value	Rating
CBGA package thermal resistance, junction-to-case thermal resistance (typical)	$\theta_{JC}$	0.03	°C/W
CBGA package thermal resistance, die junction-to-lead thermal resistance (typical)	$\theta_{JB}$	3.8	°C/W

**Note:** Refer to Section 1.8, "System Design Information," for more details about thermal management.

The MPC750 incorporates a thermal management assist unit (TAU) composed of a thermal sensor, digital-to-analog converter, comparator, control logic, and dedicated special-purpose registers (SPRs). See the *MPC750 RISC Microprocessor User's Manual* for more information on the use of this feature. Specifications for the thermal sensor portion of the TAU are found in Table 5.

**Table 5. Thermal Sensor Specifications**

At recommended operating conditions (See Table 3)

Num	Characteristic	Min	Max	Unit	Notes
1	Temperature range	0	127	°C	1
2	Comparator settling time	20	—	μs	2
3	Resolution	4	—	°C	3

**Notes:**

1. The temperature is the junction temperature of the die. The thermal assist unit's raw output does not indicate an absolute temperature, but it must be interpreted by software to derive the absolute junction temperature. For information about the use and calibration of the TAU, see Motorola Application Note AN1800/D, "Programming the Thermal Assist Unit in the MPC750 Microprocessor".
2. The comparator settling time value must be converted into the number of CPU clocks that need to be written into the THRM3 SPR.
3. Guaranteed by design and characterization.



Table 6 provides the DC electrical characteristics for the MPC750.

**Table 6. DC Electrical Specifications**

At recommended operating conditions (See Table 3)

Characteristic	Symbol	Min	Max	Unit	Notes
Input high voltage (all inputs except SYSCLK)	V <sub>IH</sub>	1.7	L2OVdd + 0.3	V	2,3,4
	V <sub>IH</sub>	2	OVdd + 0.3	V	2,3,
Input low voltage (all inputs except SYSCLK)	V <sub>IL</sub>	-0.3	0.2 * L2OVdd	V	4
	V <sub>IL</sub>	-0.3	0.8	V	
SYSCLK input high voltage	CV <sub>IH</sub>	2.4	OVdd + 0.3	V	2
SYSCLK input low voltage	CV <sub>IL</sub>	-0.3	0.4	V	
Input leakage current, V <sub>in</sub> = OVdd	I <sub>in</sub>	—	30	μA	2,3
Hi-Z (off-state) leakage current, V <sub>in</sub> = OVdd	I <sub>TSL</sub>	—	30	μA	2,3,6
Output high voltage, I <sub>OH</sub> = -6 mA	V <sub>OH</sub>	1.8	—	V	
	V <sub>OH</sub>	2.4	—	V	
Output low voltage, I <sub>OL</sub> = 6 mA	V <sub>OL</sub>	—	0.4	V	
Capacitance, V <sub>in</sub> = 0 V, f = 1 MHz	C <sub>in</sub>	—	5.0	pF	3,5

**Notes:**

1. Nominal voltages; See Table 3 for recommended operating conditions.
2. For 60x bus signals, the reference is OVdd while L2OVdd is the reference for the L2 bus signals.
3. Excludes test signals (LSSD\_MODE, L1\_TSTCLK, L2\_TSTCLK) and IEEE 1149.1 boundary scan (JTAG) signals.
4. Applicable to L2 bus interface only
5. Capacitance is periodically sampled rather than 100% tested.
6. The leakage is measured for nominal OVdd and Vdd, or both OVdd and Vdd must vary in the same direction (for example, both OVdd and Vdd vary by either +5% or -5%).

Table 7 provides the power consumption for the MPC750.

**Table 7. Power Consumption for MPC750**

	Processor (CPU) Frequency			Unit	Notes
	200 MHz	233 MHz	266 MHz		
<b>Full-On Mode</b>					
Typical	4.2	5.0	5.7	W	1, 3, 4
Maximum	6.0	7.0	7.9	W	1, 2, 4
<b>Doze Mode</b>					
Maximum	1.6	1.8	2.1	W	1, 2
<b>Nap Mode</b>					
Maximum	250	250	250	mW	1, 2
<b>Sleep Mode</b>					
Maximum	300	300	300	mW	1, 2

## Electrical and Thermal Characteristics

**Table 7. Power Consumption for MPC750 (Continued)**

	Processor (CPU) Frequency			Unit	Notes
	200 MHz	233 MHz	266 MHz		
<b>Sleep Mode—PLL and DLL Disabled</b>					
Typical	30	50	50	mW	1, 3
Maximum	60	100	100	mW	1, 2

**Notes:**

1. These values apply for all valid 60x bus and L2 bus ratios. The values do not include I/O Supply Power (OVdd and L2OVdd) or PLL/DLL supply power (AVdd and L2AVdd). OVdd and L2OVdd power is system dependent, but is typically <10% of Vdd power. Worst case power consumption for AVdd = 15 mW and L2AVdd = 15 mW.
2. Maximum power is measured at Vdd = 2.7V.
3. Typical power is an average value measured at Vdd = AVdd = L2AVdd = 2.6V, OVdd = L2OVdd = 3.3V in a system executing typical applications and benchmark sequences.
4. Full-On mode is measured using worst-case instruction sequence.

## 1.4.2 AC Electrical Characteristics

This section provides the AC electrical characteristics for the MPC750. After fabrication, parts are sorted by maximum processor core frequency as shown in Section 1.4.2.1, “Clock AC Specifications,” and tested for conformance to the AC specifications for that frequency. The processor core frequency is determined by the bus (SYSCLK) frequency and the settings of the PLL\_CFG[0–3] signals. Parts are sold by maximum processor core frequency; see Section 1.10, “Ordering Information”.

### 1.4.2.1 Clock AC Specifications

Table 8 provides the clock AC timing specifications as defined in Figure 3.

**Table 8. Clock AC Timing Specifications**

At recommended operating conditions (See Table 3)

Num	Characteristic	200 MHz		233 MHz		266 MHz		Unit	Notes
		Min	Max	Min	Max	Min	Max		
	Processor frequency	150	200	150	233	150	266	MHz	
	VCO frequency	300	400	300	466	300	533	MHz	
	SYSCLK frequency	25	83.3	25	83.3	25	83.3	MHz	1
1	SYSCLK cycle time	12	40	12	40	12	40	ns	
2, 3	SYSCLK rise and fall time	—	2	—	2	—	2	ns	2

**Table 8. Clock AC Timing Specifications (Continued)**

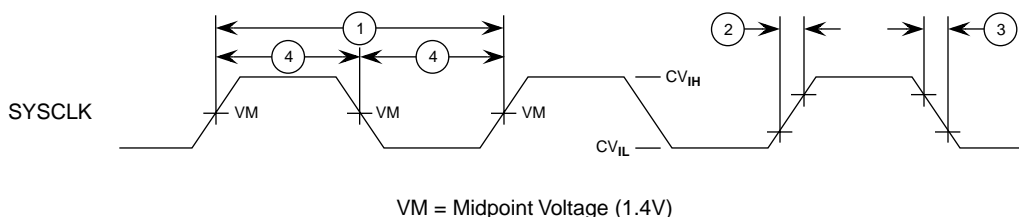
At recommended operating conditions (See Table 3)

Num	Characteristic	200 MHz		233 MHz		266 MHz		Unit	Notes
		Min	Max	Min	Max	Min	Max		
4	SYSCLK duty cycle measured at 1.4V	40	60	40	60	40	60	%	3
	SYSCLK jitter	—	±150	—	±150	—	±150	ps	4
	Internal PLL relock time	—	100	—	100	—	100	µs	5

**Notes:**

- Caution:** The SYSCLK frequency and PLL\_CFG[0–3] settings must be chosen such that the resulting SYSCLK (bus) frequency, CPU (core) frequency, and PLL (VCO) frequency do not exceed their respective maximum or minimum operating frequencies. Refer to the PLL\_CFG[0–3] signal description in Section 1.8.1, “PLL Configuration,” for valid PLL\_CFG[0–3] settings
- Rise and fall times for the SYSCLK input are measured from 0.4 to 2.4V.
- Timing is guaranteed by design and characterization.
- The total input jitter (short term and long term combined) must be under ±150 ps.
- Relock timing is guaranteed by design and characterization. PLL-relock time is the maximum amount of time required for PLL lock after a stable Vdd and SYSCLK are reached during the power-on reset sequence. This specification also applies when the PLL has been disabled and subsequently re-enabled during sleep mode. Also note that HRESET must be held asserted for a minimum of 255 bus clocks after the PLL-relock time during the power-on reset sequence.

Figure 3 provides the SYSCLK input timing diagram.



**Figure 3. SYSCLK Input Timing Diagram**

## Electrical and Thermal Characteristics

### 1.4.2.2 60x Bus Input AC Specifications

Table 9 provides the 60x bus input AC timing specifications for the MPC750 as defined in Figure 4 and Figure 5. Input timing specifications for the L2 bus are provided in Section 1.4.2.5, “L2 Bus Input AC Specifications.”

**Table 9. 60x Bus Input AC Timing Specifications<sup>1</sup>**

At recommended operating conditions (See Table 3)

Num	Characteristic	200, 233, 266 MHz		Unit	Notes
		Min	Max		
10a	Address/Data/Transfer Attribute Inputs Valid to SYSCLK (Input Setup)	2.5	—	ns	2
10b	All Other Inputs Valid to SYSCLK (Input Setup)	3.0	—	ns	3
10c	Mode select input setup to $\overline{\text{HRESET}}$ (DRTRY, TLBISYNC)	8	—	$t_{\text{sysclk}}$	4,5,6,7
11a	SYSCLK to Address/Data/Transfer Attribute Inputs Invalid (Input Hold)	0	—	ns	2
11b	SYSCLK to All Other Inputs Invalid (Input Hold)	0	—	ns	3
11c	$\overline{\text{HRESET}}$ to mode select input hold (DRTRY, TLBISYNC)	0	—	ns	4,6,7

**Notes:**

- All input specifications are measured from the TTL level (0.8 to 2.0V) of the signal in question to the 1.4V of the rising edge of the input SYSCLK. Input and output timings are measured at the pin.
- Address/Data/Transfer Attribute inputs are composed of the following—A[0–31], AP[0–3], TT[0–4], TBST, TSIZ[0–2], GBL, DH[0–31], DL[0–31], DP[0–7].
- All other signal inputs are composed of the following— $\overline{\text{TS}}$ ,  $\overline{\text{ABB}}$ ,  $\overline{\text{DBB}}$ ,  $\overline{\text{ARTRY}}$ ,  $\overline{\text{BG}}$ ,  $\overline{\text{AACK}}$ ,  $\overline{\text{DBG}}$ ,  $\overline{\text{DBWO}}$ ,  $\overline{\text{TA}}$ ,  $\overline{\text{DRTRY}}$ ,  $\overline{\text{TEA}}$ ,  $\overline{\text{DBDIS}}$ ,  $\overline{\text{HRESET}}$ ,  $\overline{\text{SRESET}}$ ,  $\overline{\text{INT}}$ ,  $\overline{\text{SMI}}$ ,  $\overline{\text{MCP}}$ ,  $\overline{\text{TBEN}}$ ,  $\overline{\text{QACK}}$ ,  $\overline{\text{TLBISYNC}}$ .
- The setup and hold time is with respect to the rising edge of HRESET (see Figure 5).
- $t_{\text{sysclk}}$  is the period of the external clock (SYSCLK) in nanoseconds (ns). The numbers given in the table must be multiplied by the period of SYSCLK to compute the actual time duration (in nanoseconds) of the parameter in question.
- Guaranteed by design and characterization.
- This specification is for configuration mode select only. Also note that the HRESET must be held asserted for a minimum of 255 bus clocks after the PLL re-lock time during the power-on reset sequence.

Figure 4 provides the input timing diagram for the MPC750.

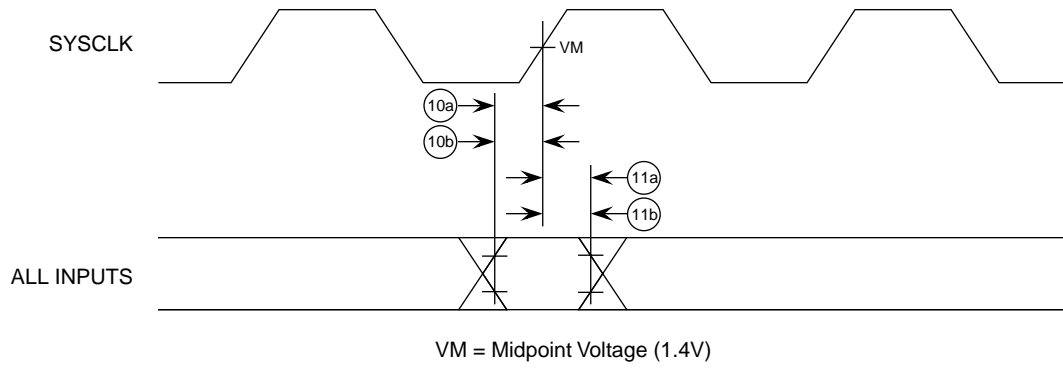


Figure 4. Input Timing Diagram

Figure 5 provides the mode select input timing diagram for the MPC750.

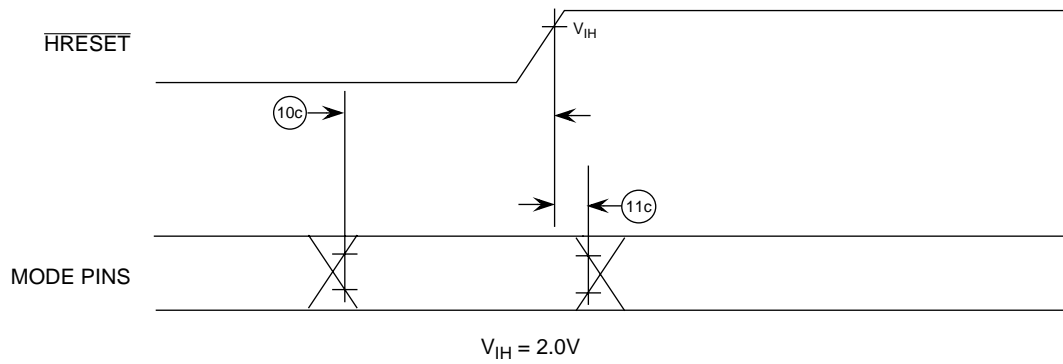


Figure 5. Mode Select Input Timing Diagram

### 1.4.2.3 60x Bus Output AC Specifications

Table 10 provides the 60x bus output AC timing specifications for the MPC750 as defined in Figure 6. Output timing specifications for the L2 bus are provided in Section 1.4.2.6, “L2 Bus Output AC Specifications.”

**Table 10. 60x Bus Output AC Timing Specifications<sup>1</sup>**

At recommended operating conditions (See Table 3),  $C_L = 50 \text{ pF}^2$

Num	Characteristic	200, 233, 266 MHz		Unit	Notes
		Min	Max		
12	SYSClk to Output Driven (Output Enable Time)	0.5	—	ns	
13	SYSClk to Output Valid ( $\overline{\text{TS}}$ , $\overline{\text{ABB}}$ , $\overline{\text{ARTRY}}$ , $\overline{\text{DBB}}$ )	—	6.5	ns	5
14	SYSClk to all other Outputs Valid (all except $\overline{\text{TS}}$ , $\overline{\text{ABB}}$ , $\overline{\text{ARTRY}}$ , $\overline{\text{DBB}}$ )	—	6.5	ns	5
15	SYSClk to Output Invalid (Output Hold)	1.0	—	ns	3
16	SYSClk to Output High Impedance (all except $\overline{\text{ABB}}$ , $\overline{\text{ARTRY}}$ , $\overline{\text{DBB}}$ )	—	6.0	ns	8
17	SYSClk to $\overline{\text{ABB}}$ , $\overline{\text{DBB}}$ High Impedance after precharge	—	1.0	$t_{\text{sysclk}}$	4,6,8
18	SYSClk to $\overline{\text{ARTRY}}$ High Impedance before precharge	—	5.5	ns	8
19	SYSClk to $\overline{\text{ARTRY}}$ Precharge Enable	$0.2 \cdot t_{\text{sysclk}} + 1.0$	—	ns	3,4,7
20	Maximum Delay to $\overline{\text{ARTRY}}$ Precharge	—	1	$t_{\text{sysclk}}$	4,7
21	SYSClk to $\overline{\text{ARTRY}}$ High Impedance After Precharge	—	2	$t_{\text{sysclk}}$	4,7,8

**Notes:**

1. All output specifications are measured from the 1.4V of the rising edge of SYSClk to TTL level (0.8 V or 2.0 V) of the signal in question. Both input and output timing are measured at the pin.
2. All maximum timing specifications assume  $C_L = 50 \text{ pF}$ .
3. This minimum parameter assumes  $C_L = 0 \text{ pF}$ .
4.  $t_{\text{sysclk}}$  is the period of the external bus clock (SYSClk) in nanoseconds (ns). The numbers given in the table must be multiplied by the period of SYSClk to compute the actual time duration of the parameter in question.
5. Output signal transitions from  $\underline{\text{GND}}$  to  $\underline{2.0V}$  or  $\text{OVdd}$  to 0.8V.
6. Nominal precharge width for  $\overline{\text{ABB}}$  and  $\overline{\text{DBB}}$  is  $0.5 t_{\text{sysclk}}$ .
7. Nominal precharge width for  $\overline{\text{ARTRY}}$  is  $1.0 t_{\text{sysclk}}$ .
8. Guaranteed by design and characterization.

Figure 6 provides the output timing diagram for the MPC750.

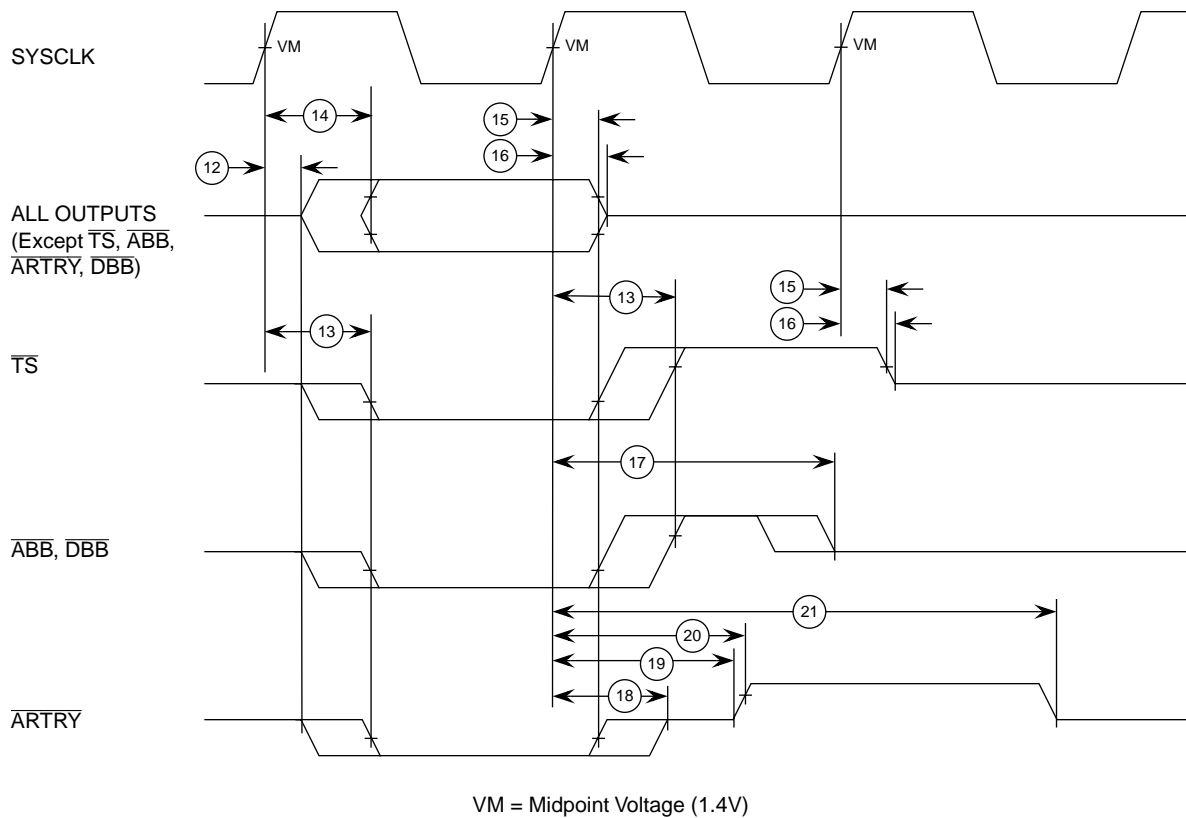


Figure 6. Output Timing Diagram

### 1.4.2.4 L2 Clock AC Specifications

Table 11 provides the L2CLK output AC timing specifications as defined in Figure 7.

Table 11. L2CLK Output AC Timing Specifications

At recommended operating conditions (See Table 3)

Num	Characteristic	Min	Max	Unit	Notes
	L2CLK frequency	80	133	MHz	1,4
22	L2CLK cycle time	7.5	12.5	ns	
23	L2CLK duty cycle	50		%	2

## Electrical and Thermal Characteristics

**Table 11. L2CLK Output AC Timing Specifications (Continued)**

At recommended operating conditions (See Table 3)

Num	Characteristic	Min	Max	Unit	Notes
	Internal DLL-relock time	640	—	L2CLK	3
	L2CLKOUT output-to-output skew		50	ps	5
	L2CLKOUT output jitter		150	ps	5

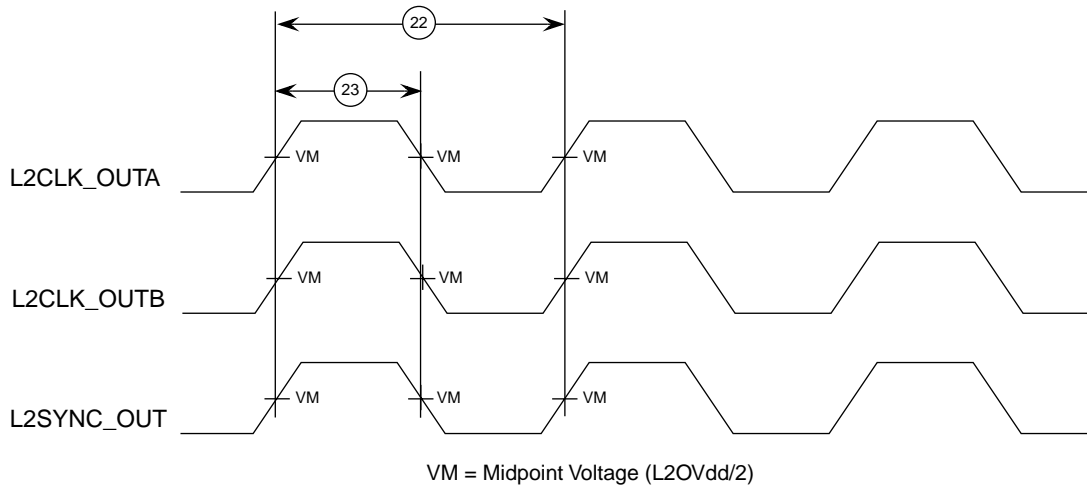
**Notes:**

1. L2CLK outputs are L2CLK\_OUTA, L2CLK\_OUTB and L2SYNC\_OUT pins. The L2 cache interface supports higher frequencies when appropriate load conditions have been considered. The L2 I/O drivers have been designed to support a 133 MHz L2 bus loaded with 4 off-the-shelf pipelined synchronous burst SRAMs. Running the L2 bus beyond 133 MHz requires tightly coupled customized SRAMs or a multi-chip module (MCM) implementation. The L2CLK frequency to core frequency settings must be chosen such that the resulting L2CLK frequency and core frequency do not exceed their respective maximum or minimum operating frequencies. L2CLK\_OUTA and L2CLK\_OUTB must have equal loading.
2. The nominal duty cycle of the L2CLK is 50% measured at midpoint voltage.
3. The DLL re-lock time is specified in terms of L2CLKs. The number in the table must be multiplied by the period of L2CLK to compute the actual time duration in nanoseconds. Re-lock timing is guaranteed by design and characterization.
4. The L2CR[L2SL] bit should be set for L2CLK frequencies less than 110 MHz
5. Guaranteed by design and not tested.

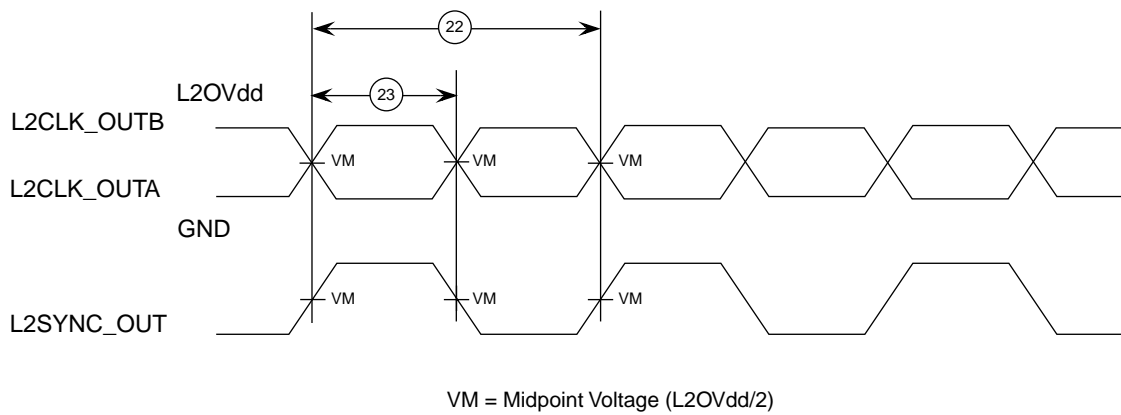


The L2CLK\_OUT timing diagram is shown in Figure 7.

**L2 Single-Ended Clock Mode**



**L2 Differential Clock Mode**



**Figure 7. L2CLK\_OUT Output Timing Diagram**

### 1.4.2.5 L2 Bus Input AC Specifications

The L2 bus input interface AC timing specifications are found in Table 12.

**Table 12. L2 Bus Input Interface AC Timing Specifications<sup>1</sup>**

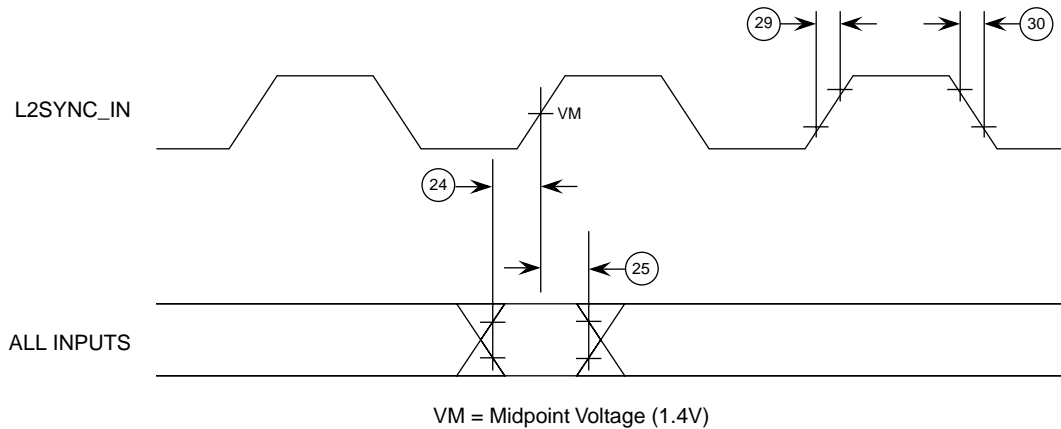
At recommended operating conditions (See Table 3)

Num	Characteristic	Processor Frequency 200–266 MHz		Unit	Notes
		Min	Max		
29,30	L2SYNC_IN rise and fall time	—	1.0	ns	2
24	Data and parity input setup to L2SYNC_IN	2.0	—	ns	
25	L2SYNC_IN to data and parity input hold	0.5	—	ns	

**Notes:**

1. All input specifications are measured from the TTL level (0.8V or 2.0V) of the signal in question to the midpoint voltage of the rising edge of the input L2SYNC\_IN. Input timings are measured at the pins (see Figure 8).
2. Rise and fall times for the L2SYNC\_IN input are measured from 0.4 to 2.4V.

Figure 8 shows the L2 bus input timing diagrams for the MPC750.



**Figure 8. L2 Bus Input Timing Diagrams**

### 1.4.2.6 L2 Bus Output AC Specifications

Table 13 provides the L2 bus output interface AC timing specifications for the MPC750 as defined in Figure 9.

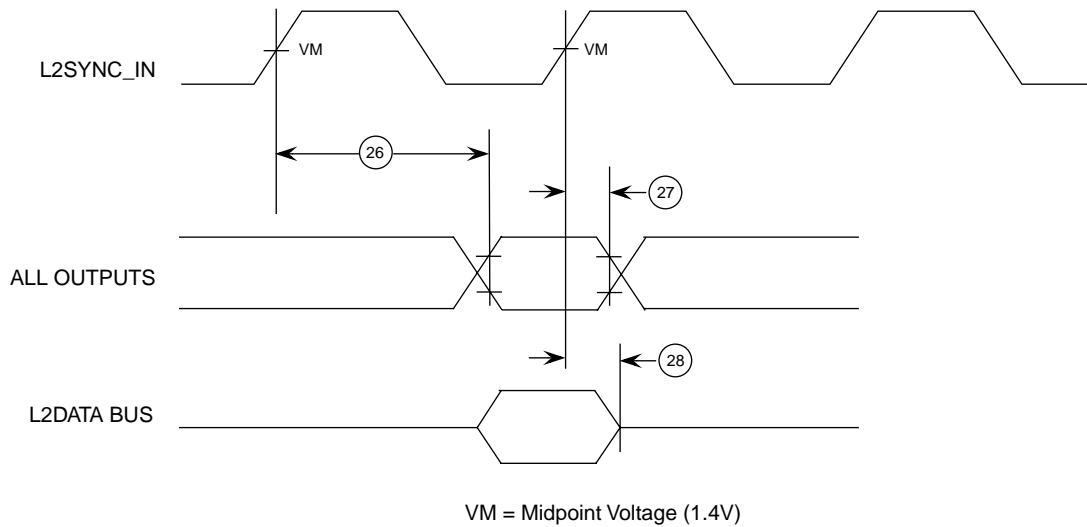
**Table 13. L2 Bus Output Interface AC Timing Specifications<sup>1</sup>**

At recommended operating conditions (See Table 3),  $C_L = 20 \text{ pF}^3$

Num	Characteristic	L2CR[14–15]	Core Freq 200-266MHz	
			Min	Max
26	L2SYNC_IN to output valid	00 <sup>2</sup>	—	5.0
		01	—	5.5
		10	—	5.7
		11	—	6.0
27	L2SYNC_IN to output hold	00 <sup>2</sup>	0.5	—
		01	1.0	—
		10	1.2	—
		11	1.5	—
28	L2SYNC_IN to high impedance	00 <sup>2</sup>	—	4.0
		01	—	4.5
		10	—	4.7
		11	—	5.0
<b>Notes:</b> 1. All outputs are measured from the midpoint voltage of the rising edge of L2SYNC_IN to the TTL level (0.8V or 2.0V) of the signal in question. The output timings are measured at the pins. 2. The outputs are valid for both single-ended and differential L2CLK modes. For flow-thru and pipelined reg-reg synchronous burst RAMs, L2CR[14–15] = 00 is recommended. For pipelined delay-write synchronous burst SRAMs, L2CR[14–15] = 01 is recommended. 3. All maximum timing specifications assume $C_L = 20 \text{ pF}$ . 4. This measurement assumes $C_L = 5 \text{ pF}$ .				

Figure 9 shows the L2 bus output timing diagrams for the MPC750.

## Electrical and Thermal Characteristics



**Figure 9. L2 Bus Output Timing Diagrams**

### 1.4.3 IEEE 1149.1 AC Timing Specifications

Table 14 provides the IEEE 1149.1 (JTAG) AC timing specifications as defined in Figure 10, Figure 11, Figure 12, and Figure 13.

**Table 14. JTAG AC Timing Specifications (Independent of SYSCLK)**

At recommended operating conditions (See Table 3),  $C_L = 50$  pF

Num	Characteristic	Min	Max	Unit	Notes
	TCK frequency of operation	0	33.3	MHz	
1	TCK cycle time	30	—	ns	
2	TCK clock pulse width measured at 1.4V	15	—	ns	
3	TCK rise and fall times	0	2	ns	
4	Specification obsolete, intentionally omitted				
5	$\overline{\text{TRST}}$ assert time	25	—	ns	1
6	Boundary-scan input data setup time	4	—	ns	2
7	Boundary-scan input data hold time	15	—	ns	2
8	TCK to output data valid	4	20	ns	3
9	TCK to output high impedance	3	19	ns	3, 4
10	TMS, TDI data setup time	0	—	ns	

**Table 14. JTAG AC Timing Specifications (Independent of SYSCLK) (Continued)**

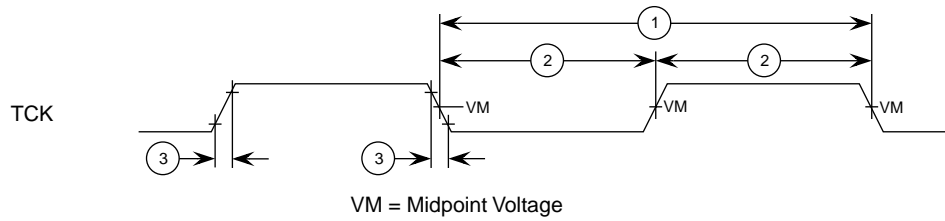
At recommended operating conditions (See Table 3),  $C_L = 50$  pF

Num	Characteristic	Min	Max	Unit	Notes
11	TMS, TDI data hold time	12	—	ns	
12	TCK to TDO data valid	4	12	ns	
13	TCK to TDO high impedance	3	9	ns	4

**Notes:**

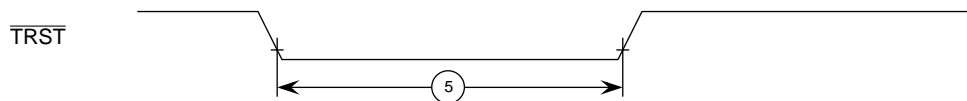
1. TRST is an asynchronous level sensitive signal. The setup time is for test purposes only.
2. Non-JTAG signal input timing with respect to TCK.
3. Non-JTAG signal output timing with respect to TCK.
4. Guaranteed by design and characterization.

Figure 10 provides the JTAG clock input timing diagram.



**Figure 10. JTAG Clock Input Timing Diagram**

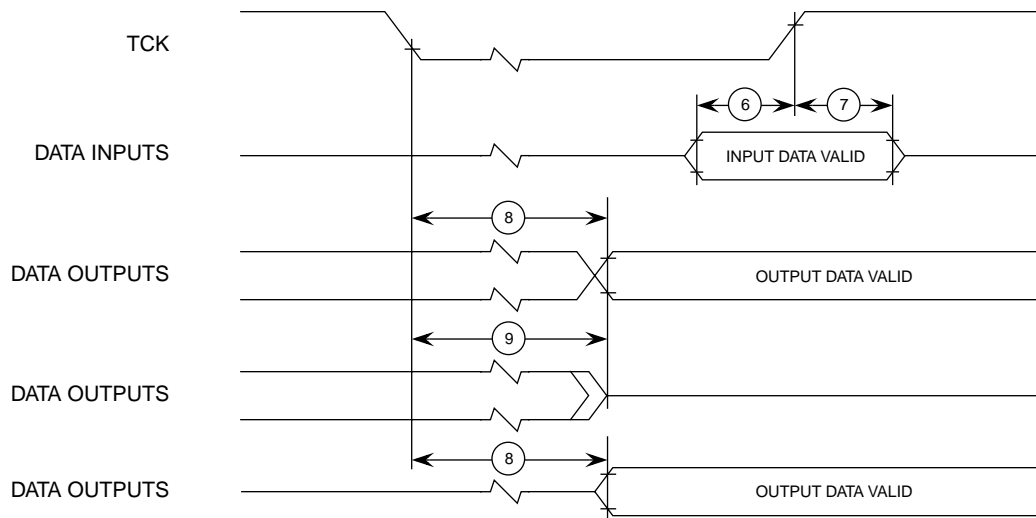
Figure 11 provides the  $\overline{\text{TRST}}$  timing diagram.



**Figure 11.  $\overline{\text{TRST}}$  Timing Diagram**

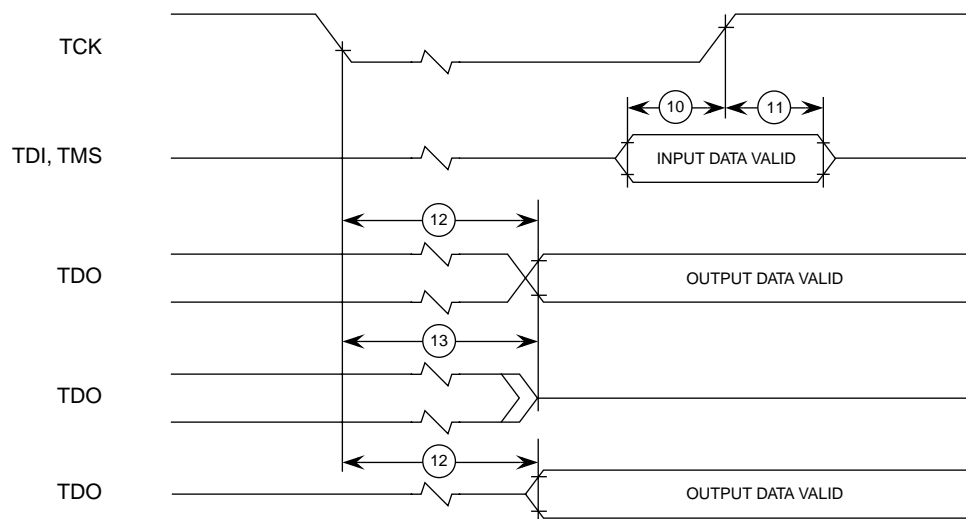
## Electrical and Thermal Characteristics

Figure 12 provides the boundary-scan timing diagram.



**Figure 12. Boundary-Scan Timing Diagram**

Figure 13 provides the test access port timing diagram.

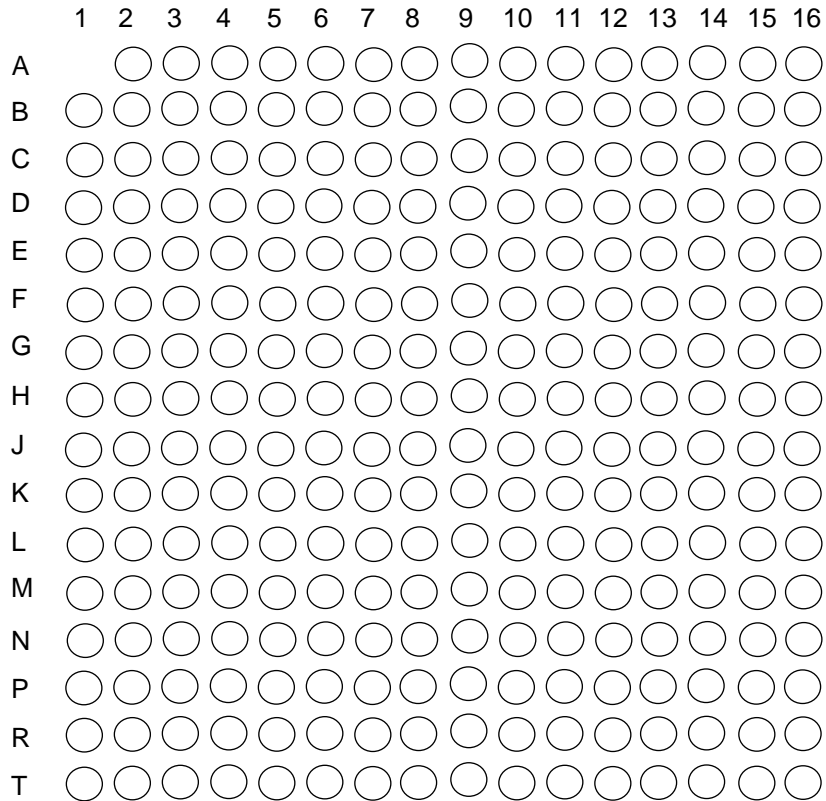


**Figure 13. Test Access Port Timing Diagram**

# 1.5 Pin Assignments

Figure 14 (in part A) shows the pinout of the MPC740, 255 CBGA package as viewed from the top surface. Part B shows the side profile of the CBGA package to indicate the direction of the top surface view.

**Part A**



Not to Scale

**Part B**

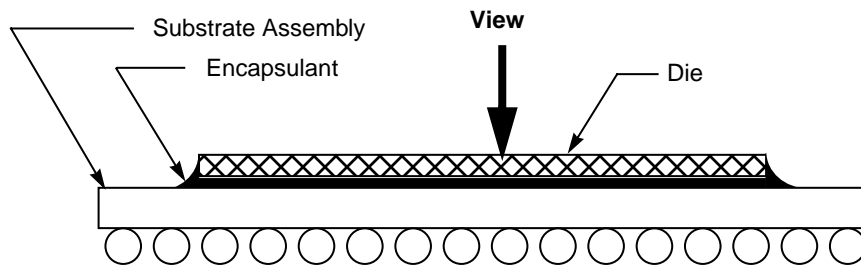
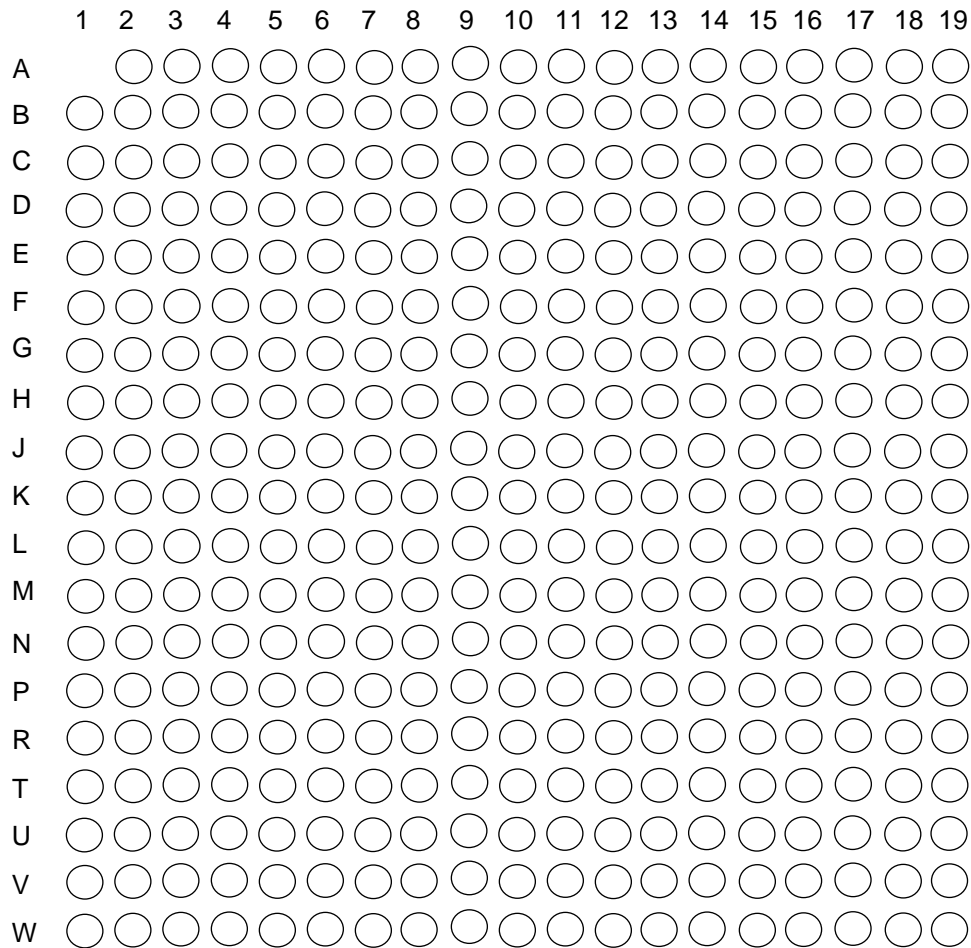


Figure 14. Pinout of the MPC740, 255 CBGA Package as Viewed from the Top Surface

## Pin Assignments

Figure 15 (in part A) shows the pinout of the MPC750, 360 CBGA package as viewed from the top surface. Part B shows the side profile of the CBGA package to indicate the direction of the top surface view.

### Part A



Not to Scale

### Part B

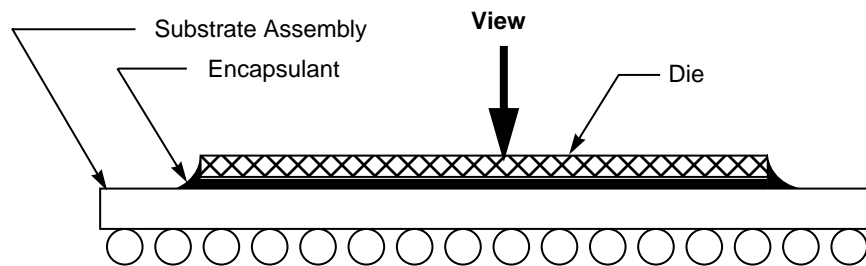


Figure 15. Pinout of the MPC750, 360 CBGA Package as Viewed from the Top Surface



## 1.6 Pinout Listings

Table 15 provides the pinout listing for the MPC740, 255 CBGA package.

**Table 15. Pinout Listing for the MPC740, 255 CBGA Package**

Signal Name	Pin Number	Active	I/O
A[0–31]	C16, E4, D13, F2, D14, G1, D15, E2, D16, D4, E13, G2, E15, H1, E16, H2, F13, J1, F14, J2, F15, H3, F16, F4, G13, K1, G15, K2, H16, M1, J15, P1	High	I/O
$\overline{\text{AACK}}$	L2	Low	Input
$\overline{\text{ABB}}$	K4	Low	I/O
AP[0–3]	C1, B4, B3, B2	High	I/O
ARTRY	J4	Low	I/O
$\overline{\text{AVDD}}$	A10	—	—
$\overline{\text{BG}}$	L1	Low	Input
$\overline{\text{BR}}$	B6	Low	Output
$\overline{\text{CI}}$	E1	Low	Output
$\overline{\text{CKSTP\_IN}}$	D8	Low	Input
$\overline{\text{CKSTP\_OUT}}$	A6	Low	Output
CLK_OUT	D7	—	Output
$\overline{\text{DBB}}$	J14	Low	I/O
$\overline{\text{DBG}}$	N1	Low	Input
$\overline{\text{DBDIS}}$	H15	Low	Input
$\overline{\text{DBWO}}$	G4	Low	Input
DH[0–31]	P14, T16, R15, T15, R13, R12, P11, N11, R11, T12, T11, R10, P9, N9, T10, R9, T9, P8, N8, R8, T8, N7, R7, T7, P6, N6, R6, T6, R5, N5, T5, T4	High	I/O
DL[0–31]	K13, K15, K16, L16, L15, L13, L14, M16, M15, M13, N16, N15, N13, N14, P16, P15, R16, R14, T14, N10, P13, N12, T13, P3, N3, N4, R3, T1, T2, P4, T3, R4	High	I/O
DP[0–7]	M2, L3, N2, L4, R1, P2, M4, R2	High	I/O
$\overline{\text{DRTRY}}$	G16	Low	Input
$\overline{\text{GBL}}$	F1	Low	I/O
GND	C5, C12, E3, E6, E8, E9, E11, E14, F5, F7, F10, F12, G6, G8, G9, G11, H5, H7, H10, H12, J5, J7, J10, J12, K6, K8, K9, K11, L5, L7, L10, L12, M3, M6, M8, M9, M11, M14, P5, P12	—	—
$\overline{\text{HRESET}}$	A7	Low	Input
$\overline{\text{INT}}$	B15	Low	Input
L1_TSTCLK <sup>1</sup>	D11	High	Input
L2_TSTCLK <sup>1</sup>	D12	High	Input
$\overline{\text{LSSD\_MODE}}^1$	B10	Low	Input
$\overline{\text{MCP}}$	C13	Low	Input
NC (No–Connect)	B7, B8, C3, C6, C8, D5, D6, H4, J16, A4, A5, A2, A3, B1, B5	—	—
OVDD	C7, E5, E7, E10, E12, G3, G5, G12, G14, K3, K5, K12, K14, M5, M7, M10, M12, P7, P10	—	—
PLL_CFG[0–3]	A8, B9, A9, D9	High	Input

## Pinout Listings

**Table 15. Pinout Listing for the MPC740, 255 CBGA Package (Continued)**

Signal Name	Pin Number	Active	I/O
$\overline{QACK}$	D3	Low	Input
$\overline{QREQ}$	J3	Low	Output
$\overline{RSRV}$	D1	Low	Output
$\overline{SMI}$	A16	Low	Input
$\overline{SRESET}$	B14	Low	Input
SYSCLK	C9	—	Input
$\overline{TA}$	H14	Low	Input
TBEN	C2	High	Input
$\overline{TBST}$	A14	Low	I/O
TCK	C11	High	Input
TDI	A11	High	Input
TDO	A12	High	Output
$\overline{TEA}$	H13	Low	Input
$\overline{TLBISYNC}$	C4	Low	Input
TMS	B11	High	Input
TRST	C10	Low	Input
TS	J13	Low	I/O
TSIZ[0–2]	A13, D10, B12	High	Output
TT[0–4]	B13, A15, B16, C14, C15	High	I/O
$\overline{WT}$	D2	Low	Output
VDD <sup>2</sup>	F6, F8, F9, F11, G7, G10, H6, H8, H9, H11, J6, J8, J9, J11, K7, K10, L6, L8, L9, L11	—	—
VOLTDET <sup>3</sup>	F3	High	Output

**Notes:**

1. These are test signals for factory use only and must be pulled up to OVdd for normal machine operation.
2. OVdd inputs supply power to the I/O drivers and Vdd inputs supply power to the processor core.
3. Internally tied to GND in the MPC740 CBGA package to indicate to the power supply that a low-voltage processor is present. This signal is not a power supply input.

Table 16 provides the pinout listing for the MPC750, 360 CBGA package.

**Table 16. Pinout Listing for the MPC750, 360 CBGA Package**

Signal Name	Pin Number	Active	I/O
A[0–31]	A13, D2, H11, C1, B13, F2, C13, E5, D13, G7, F12, G3, G6, H2, E2, L3, G5, L4, G4, J4, H7, E1, G2, F3, J7, M3, H3, J2, J6, K3, K2, L2	High	I/O
$\overline{ACK}$	N3	Low	Input
$\overline{ABB}$	L7	Low	I/O
AP[0–3]	C4, C5, C6, C7	High	I/O
ARTRY	L6	Low	I/O
AVDD	A8	—	—
$\overline{BG}$	H1	Low	Input

Table 16. Pinout Listing for the MPC750, 360 CBGA Package (Continued)

Signal Name	Pin Number	Active	I/O
$\overline{\text{BR}}$	E7	Low	Output
$\overline{\text{CKSTP\_OUT}}$	D7	Low	Output
$\overline{\text{CI}}$	C2	Low	Output
$\overline{\text{CKSTP\_IN}}$	B8	Low	Input
CLKOUT	E3	—	Output
DBB	K5	Low	I/O
$\overline{\text{DBDIS}}$	G1	Low	Input
$\overline{\text{DBG}}$	K1	Low	Input
$\overline{\text{DBWO}}$	D1	Low	Input
DH[0–31]	W12, W11, V11, T9, W10, U9, U10, M11, M9, P8, W7, P9, W9, R10, W6, V7, V6, U8, V9, T7, U7, R7, U6, W5, U5, W4, P7, V5, V4, W3, U4, R5	High	I/O
DL[0–31]	M6, P3, N4, N5, R3, M7, T2, N6, U2, N7, P11, V13, U12, P12, T13, W13, U13, V10, W8, T11, U11, V12, V8, T1, P1, V1, U1, N1, R2, V3, U3, W2	High	I/O
DP[0–7]	L1, P2, M2, V2, M1, N2, T3, R1	High	I/O
$\overline{\text{DRTRY}}$	H6	Low	Input
GBL	B1	Low	I/O
GND	D10, D14, D16, D4, D6, E12, E8, F4, F6, F10, F14, F16, G9, G11, H5, H8, H10, H12, H15, J9, J11, K4, K6, K8, K10, K12, K14, K16, L9, L11, M5, M8, M10, M12, M15, N9, N11, P4, P6, P10, P14, P16, R8, R12, T4, T6, T10, T14, T16	—	—
$\overline{\text{HRESET}}$	B6	Low	Input
$\overline{\text{INT}}$	C11	Low	Input
L1_TSTCLK <sup>1</sup>	F8	High	Input
L2ADDR[0–16]	L17, L18, L19, M19, K18, K17, K15, J19, J18, J17, J16, H18, H17, J14, J13, H19, G18	High	Output
L2AVDD	L13	—	—
$\overline{\text{L2CE}}$	P17	Low	Output
$\overline{\text{L2CLKOUTA}}$	N15	Low	Output
$\overline{\text{L2CLKOUTB}}$	L16	Low	Output
L2DATA[0–63]	U14, R13, W14, W15, V15, U15, W16, V16, W17, V17, U17, W18, V18, U18, V19, U19, T18, T17, R19, R18, R17, R15, P19, P18, P13, N14, N13, N19, N17, M17, M13, M18, H13, G19, G16, G15, G14, G13, F19, F18, F13, E19, E18, E17, E15, D19, D18, D17, C18, C17, B19, B18, B17, A18, A17, A16, B16, C16, A14, A15, C15, B14, C14, E13	High	I/O
L2DP[0–7]	V14, U16, T19, N18, H14, F17, C19, B15	High	I/O
L2OVDD	D15, E14, E16, H16, J15, L15, M16, P15, R14, R16, T15, F15	—	—
L2SYNC_IN	L14	—	Input
L2SYNC_OUT	M14	—	Output
L2_TSTCLK <sup>1</sup>	F7	High	Input

## Pinout Listings

**Table 16. Pinout Listing for the MPC750, 360 CBGA Package (Continued)**

Signal Name	Pin Number	Active	I/O
$\overline{\text{L2WE}}$	N16	Low	Output
L2ZZ	G17	High	Output
$\overline{\text{LSSD\_MODE}}^1$	F9	Low	Input
$\overline{\text{MCP}}$	B11	Low	Input
NC (No-Connect)	B3, B4, B5, A19, W19, W1, K9, K11 <sup>4</sup> , K19 <sup>4</sup>	—	—
OVDD	D5, D8, D12, E4, E6, E9, E11, F5, H4, J5, L5, M4, P5, R4, R6, R9, R11, T5, T8, T12	—	—
PLL_CFG[0–3]	A4, A5, A6, A7	High	Input
$\overline{\text{QACK}}$	B2	Low	Input
$\overline{\text{QREQ}}$	J3	Low	Output
$\overline{\text{RSRV}}$	D3	Low	Output
SMI	A12	Low	Input
$\overline{\text{SRESET}}$	E10	Low	Input
SYSCLK	H9	—	Input
$\overline{\text{TA}}$	F1	Low	Input
TBEN	A2	High	Input
TBST	A11	Low	I/O
TCK	B10	High	Input
TDI	B7	High	Input
TDO	D9	High	Output
$\overline{\text{TEA}}$	J1	Low	Input
$\overline{\text{TLBISYNC}}$	A3	Low	Input
TMS	C8	High	Input
$\overline{\text{TRST}}$	A10	Low	Input
$\overline{\text{TS}}$	K7	Low	I/O
TSIZ[0–2]	A9, B9, C9	High	Output
TT[0–4]	C10, D11, B12, C12, F11	High	I/O
$\overline{\text{WT}}$	C3	Low	Output
VDD <sup>2</sup>	G8, G10, G12, J8, J10, J12, L8, L10, L12, N8, N10, N12	—	—
VOLTDET <sup>3</sup>	K13	High	Output

Notes:

1. These are test signals for factory use only and must be pulled up to OVdd for normal machine operation.
2. OVdd inputs supply power to the I/O drivers and Vdd inputs supply power to the processor core.
3. Internally tied to L2OVDD in the MPC750 CBGA package to indicate the power present at the L2 cache interface. This signal is not a power supply input.  
**Caution:** This is different from the MPC740 CBGA package.
4. These pins are reserved for potential future use as additional L2 address pins.

## 1.7 Package Description

The following sections provide the package parameters and mechanical dimensions for the MPC740, 255 CBGA packages.

### 1.7.1 Parameters for the MPC740

The package parameters are as provided in the following list. The package type is 21 x 21 mm, 255-lead ceramic ball grid array (CBGA).

<b>Package outline</b>	<b>21 x 21 mm</b>
<b>Interconnects</b>	<b>255 (16 x 16 ball array - 1)</b>
<b>Pitch</b>	<b>1.27 mm (50 mil)</b>
Minimum module height	2.45 mm
Maximum module height	3.00 mm
Ball diameter	0.89 mm (35 mil)

### 1.7.2 Mechanical Dimensions of the MPC740

Figure 16 provides the mechanical dimensions and bottom surface nomenclature of the MPC740, 255 CBGA package.

## Package Description

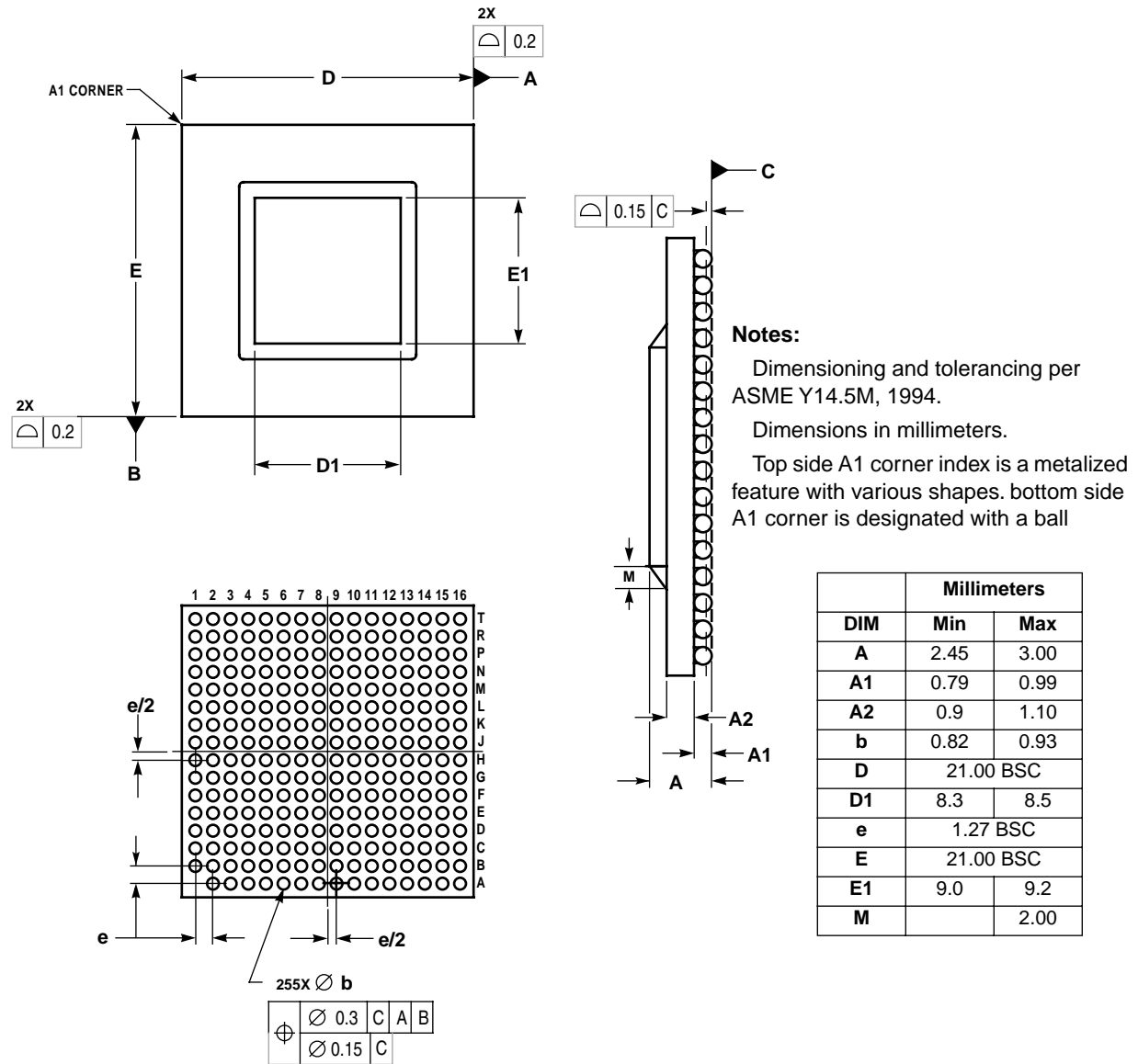


Figure 16. Mechanical Dimensions and Bottom Surface Nomenclature of the MPC740

### 1.7.3 Parameters for the MPC750

The package parameters are as provided in the following list. The package type is 25 x 25 mm, 360-lead ceramic ball grid array (CBGA).

Package outline	25 x 25 mm
Interconnects	360 (19 x 19 ball array - 1)
Pitch	1.27 mm (50 mil)
Minimum module height	2.65 mm
Maximum module height	3.20 mm
Ball diameter	0.89 mm (35 mil)

## 1.7.4 Mechanical Dimensions of the MPC750

Figure 17 provides the mechanical dimensions and bottom surface nomenclature of the MPC750, 360 CBGA package.

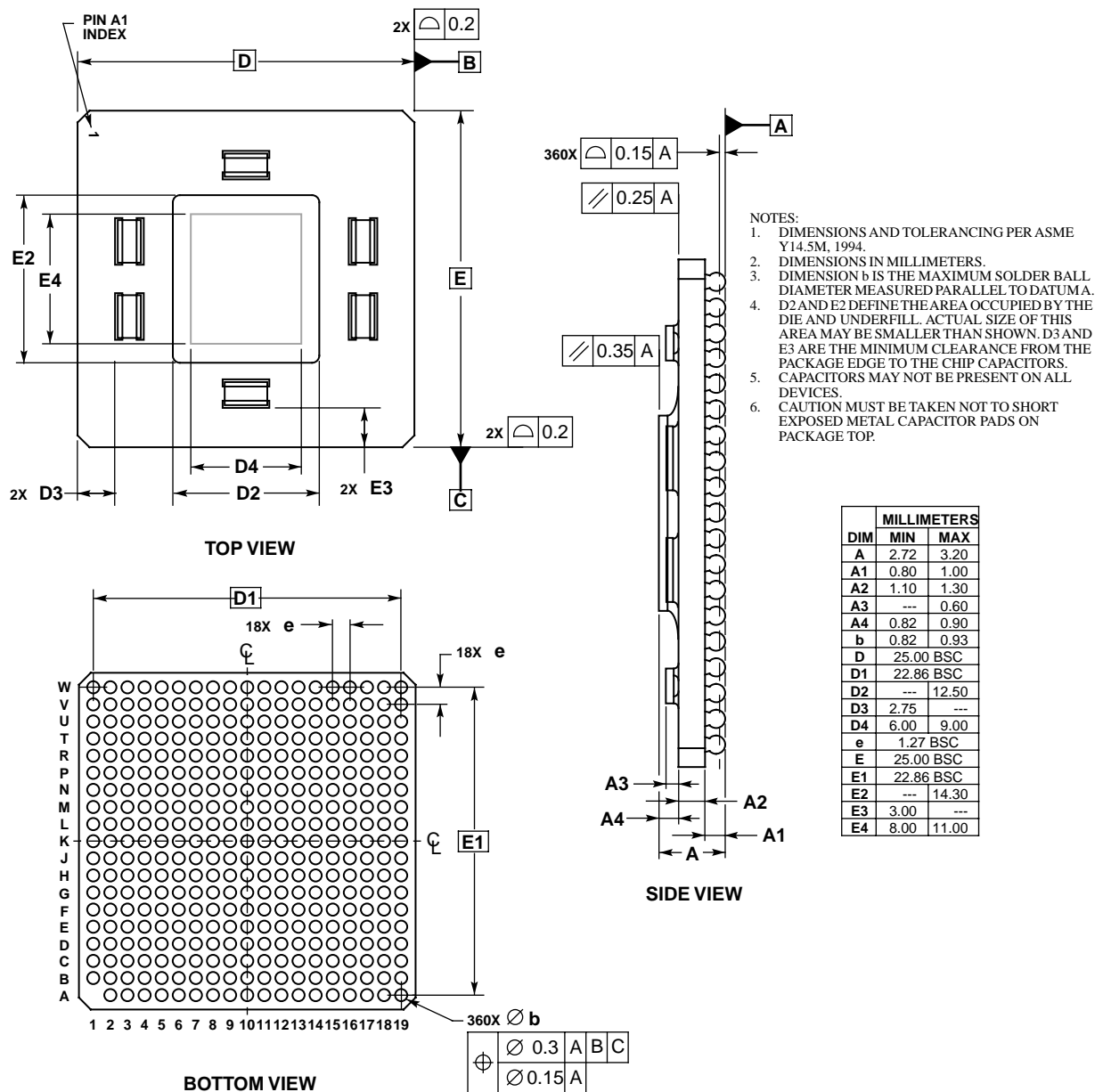


Figure 17. Mechanical Dimensions and Bottom Surface Nomenclature of the MPC750

## 1.8 System Design Information

This section provides electrical and thermal design recommendations for successful application of the MPC750.

## 1.8.1 PLL Configuration

The MPC750's PLL is configured by the PLL\_CFG[0–3] signals. For a given SYSCLK (bus) frequency, the PLL configuration signals set the internal CPU and VCO frequency of operation. The PLL configuration for the MPC750 is shown in Table 17 for nominal frequencies.

**Table 17. MPC750 Microprocessor PLL Configuration**

PLL_CFG [0–3]	Sample Bus-to-Core Frequency in MHz (VCO Frequency in MHz)								
	Bus-to- Core Multiplier	Core-to VCO Multiplier	Bus 25 MHz	Bus 33.3 MHz	Bus 40 MHz	Bus 50 MHz	Bus 66.6 MHz	Bus 75 MHz	Bus 83.3 MHz
1000	3x	2x				150 (300)	200 (400)	225 (450)	250 (500)
1110	3.5x	2x				175 (350)	233 (466)	262 (525)	
1010	4x	2x			160 (320)	200 (400)	266 (533)		
0111	4.5x	2x		150 (300)	180 (360)	225 (450)			
1011	5x	2x		166 (333)	200 (400)	250 (500)			
1001	5.5x	2x		183 (366)	220 (440)				
1101	6x	2x	150 (300)	200 (400)	240 (480)				
0101	6.5x	2x	162 (325)	216 (433)	260 (520)				
0010	7x	2x	175 (350)	233 (466)					
0001	7.5x	2x	187 (375)	250 (500)					
1100	8x	2x	200 (400)	266 (533)					
0011	PLL off/bypass		PLL off, SYSCLK clocks core circuitry directly, 1x bus-to-core implied						
1111	PLL off		PLL off, no core clocking occurs						

**Notes:**

1. PLL\_CFG[0–3] settings not listed are reserved.
2. The sample bus-to-core frequencies shown are for reference only. Some PLL configurations may select bus, core, or VCO frequencies which are not useful, not supported, or not tested for by the MPC750; see Section 1.4.2.1, "Clock AC Specifications," for valid SYSCLK and VCO frequencies.
3. In PLL-bypass mode, the SYSCLK input signal clocks the internal processor directly, the PLL is disabled, and the bus mode is set for 1:1 mode operation. This mode is intended for factory use only.  
**Note:** The AC timing specifications given in this document do not apply in PLL-bypass mode.
4. In clock-off mode, no clocking occurs inside the MPC750 regardless of the SYSCLK input.



Table 18 provides sample core-to-L2 frequencies.

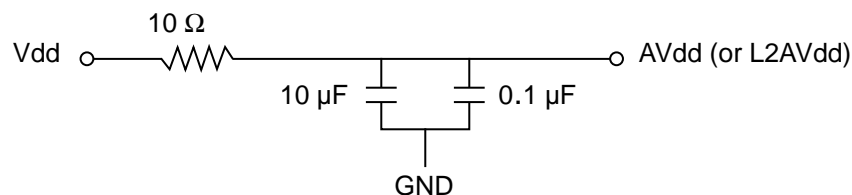
**Table 18. Sample Core-to-L2 Frequencies**

Core Frequency in MHz	÷1	÷1.5	÷2	÷2.5	÷3
200	200	133.3	100	80	—
208.3	208	138.6	104	83.3	—
210	210	140	105	84	—
220	220	146.6	110	88	—
225	225	150	112.5	90	—
233.3	233.3	155.5	116.6	93.3	—
240	240	160	120	96	80
266	266	177.3	133	106.4	88.6

**Note:** The core and L2 frequencies are for reference only. Some configurations may select core or L2 frequencies which are not useful, not supported, or not tested for by the MPC750; see Section 1.4.2.4, “L2 Clock AC Specifications,” for valid L2CLK frequencies. The L2CR[L2SL] bit should be set for L2CLK frequencies less than 110 MHz.

## 1.8.2 PLL Power Supply Filtering

The AVdd and L2AVdd power signals are provided on the MPC750 to provide power to the clock generation phase-locked loop and L2 cache delay-locked loop respectively. To ensure stability of the internal clock, the power supplied to the AVdd input signal should be filtered using a circuit similar to the one shown in Figure 18. The circuit should be placed as close as possible to the AVdd pin to ensure it filters out as much noise as possible. An identical but separate circuit should be placed as close as possible to the L2AVdd pin.



**Figure 18. PLL Power Supply Filter Circuit**

## 1.8.3 Decoupling Recommendations

Due to the MPC750’s dynamic power management feature, large address and data buses, and high operating frequencies, the MPC750 can generate transient power surges and high frequency noise in its power supply, especially while driving large capacitive loads. This noise must be prevented from reaching other components in the MPC750 system, and the MPC750 itself requires a clean, tightly regulated source of power. Therefore, it is recommended that the system designer place at least one decoupling capacitor at each Vdd and OVdd pin (and L2OVdd for the 360 CBGA) of the MPC750. It is also recommended that these decoupling capacitors receive their power from separate Vdd, OVdd, and GND power planes in the PCB, utilizing short traces to minimize inductance.

## System Design Information

These capacitors should vary in value from 220 pF to 10  $\mu$ F to provide both high- and low-frequency filtering, and should be placed as close as possible to their associated Vdd or OVdd pins. Suggested values for the Vdd pins—220 pF (ceramic), 0.01  $\mu$ F (ceramic), and 0.1  $\mu$ F (ceramic). Suggested values for the OVdd pins—0.01  $\mu$ F (ceramic), 0.1  $\mu$ F (ceramic), and 10  $\mu$ F (tantalum). Only SMT (surface mount technology) capacitors should be used to minimize lead inductance.

In addition, it is recommended that there be several bulk storage capacitors distributed around the PCB, feeding the Vdd and OVdd planes, to enable quick recharging of the smaller chip capacitors. These bulk capacitors should have a low ESR (equivalent series resistance) rating to ensure the quick response time necessary. They should also be connected to the power and ground planes through two vias to minimize inductance. Suggested bulk capacitors—100  $\mu$ F (AVX TPS tantalum) or 330  $\mu$ F (AVX TPS tantalum).

### 1.8.4 Connection Recommendations

To ensure reliable operation, it is highly recommended to connect unused inputs to an appropriate signal level. Unused active low inputs should be tied to Vdd. Unused active high inputs should be connected to GND. All NC (no-connect) signals must remain unconnected.

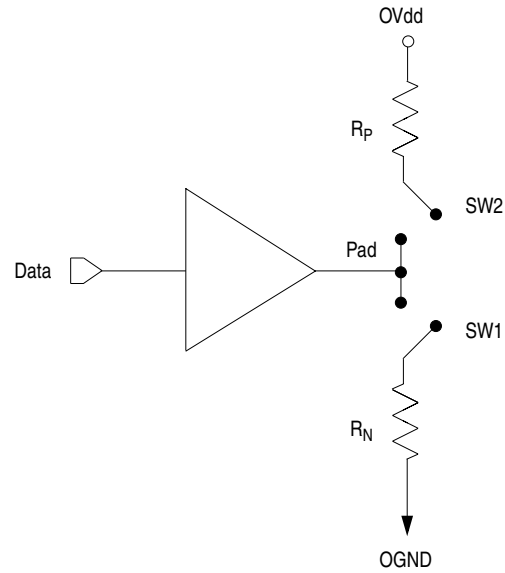
Power and ground connections must be made to all external Vdd, OVdd, and GND pins of the MPC750.

External clock routing should ensure that the rising-edge of the L2 clock is coincident at the CLK input of **all** SRAMs and at the L2SYNC\_IN input of the MPC750. The L2CLKOUTA network could be used only, or the L2CLKOUTB network could also be used depending on the loading, frequency, and number of SRAMs.

### 1.8.5 Output Buffer DC Impedance

The MPC750 60x and L2 I/O drivers were characterized over process, voltage, and temperature. To measure  $Z_0$ , an external resistor is connected to the chip pad, either to OVdd or OGND. Then, the value of such resistor is varied until the pad voltage is  $OVdd/2$ ; see Figure 19.

The output impedance is actually the average of two components, the resistances of the pull-up and pull-down devices. When Data is held low, SW1 is closed (SW2 is open), and  $R_N$  is trimmed until  $Pad = OVdd/2$ .  $R_N$  then becomes the resistance of the pull-down devices. When Data is held high, SW2 is closed (SW1 is open), and  $R_P$  is trimmed until  $Pad = OVdd/2$ .  $R_P$  then becomes the resistance of the pull-up devices. With a properly designed driver  $R_P$  and  $R_N$  are close to each other in value. Then  $Z_0 = (R_P + R_N)/2$ .



**Figure 19. Driver Impedance Measurement**

Table 19 summarizes the signal impedance results. The driver impedance values were derived by simulation at 65 °C. As the process varies, the output impedance will be reduced by several ohms.

**Table 19. Impedance Characteristics**

Vdd = 2.6V, OVdd = 3.3V, Tj = 65 °C

Process	60x	L2	Symbol	Unit
TYP	43	38	Z <sub>0</sub>	Ohms

### 1.8.6 Pull-up Resistor Requirements

The MPC750 requires high-resistive (weak: 10 K $\Omega$ ) pull-up resistors on several control signals of the bus interface to maintain the control signals in the negated state after they have been actively negated and released by the MPC750 or other bus masters. These signals are  $\overline{TS}$ ,  $\overline{ABB}$ ,  $\overline{DBB}$ , and  $\overline{ARTRY}$ .

In addition, the MPC750 has one open-drain style output that requires a pull-up resistors (weak or stronger: 4.7 K $\Omega$ –10 K $\Omega$ ) if it is used by the system. This signal is  $\overline{CKSTP\_OUT}$ .

During inactive periods on the bus, the address and transfer attributes on the bus are not driven by any master and may float in the high-impedance state for relatively long periods of time. Since the MPC750 must continually monitor these signals for snooping, this float condition may cause excessive power draw by the input receivers on the MPC750 or by other receivers in the system. It is recommended that these signals be pulled up through weak (10 K $\Omega$ ) pull-up resistors or restored in some manner by the system. The snooped address and transfer attribute inputs are A[0–31], AP[0–3], TT[0–4],  $\overline{TBST}$ , and  $\overline{GBL}$ .

The data bus input receivers are normally turned off when no read operation is in progress and do not require pull-up resistors on the data bus. Other data bus receivers in the system, however, may require pullups, or that those signals be otherwise driven by the system during inactive periods. The data bus signals are

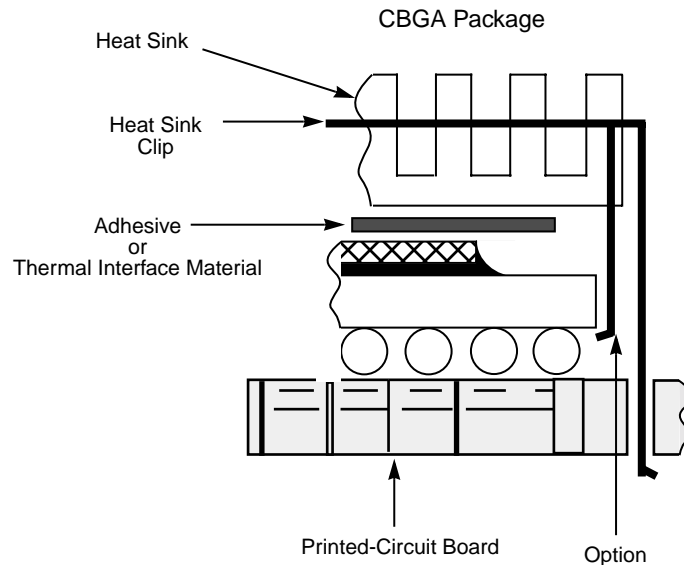
DH[0–31], DL[0–31], DP[0–7].

If address or data parity is not used by the system, and the respective parity checking is disabled through  $HID0$ , the input receivers for those pins are disabled, and those pins do not require pull-up resistors and should be left unconnected by the system. If all parity generation is disabled through  $HID0$ , then all parity checking should also be disabled through  $HID0$ , and all parity pins may be left unconnected by the system.

No pull-up resistors are normally required for the L2 interface.

### 1.8.7 Thermal Management Information

This section provides thermal management information for the ceramic ball grid array (CBGA) package for air-cooled applications. Proper thermal control design is primarily dependent upon the system-level design—the heat sink, airflow and thermal interface material. To reduce the die-junction temperature, heat sinks may be attached to the package by several methods—adhesive, spring clip to holes in the printed-circuit board or package, and mounting clip and screw assembly; see Figure 20. This spring force should not exceed 5.5 pounds of force.



**Figure 20. Package Exploded Cross-Sectional View with Several Heat Sink Options**

The board designer can choose between several types of heat sinks to place on the MPC750. There are several commercially-available heat sinks for the MPC750 provided by the following vendors:

Chip Coolers Inc. 333 Strawberry Field Rd. Warwick, RI 02887-6979	800-227-0254 (USA/Canada) 401-739-7600
International Electronic Research Corporation (IERC) 135 W. Magnolia Blvd. Burbank, CA 91502	818-842-7277
Thermalloy 2021 W. Valley View Lane P.O. Box 810839 Dallas, TX 75731	214-243-4321
Wakefield Engineering 60 Audubon Rd. Wakefield, MA 01880	617-245-5900
Aavid Engineering One Kool Path Laconia, NH 03247-0440	603-528-3400

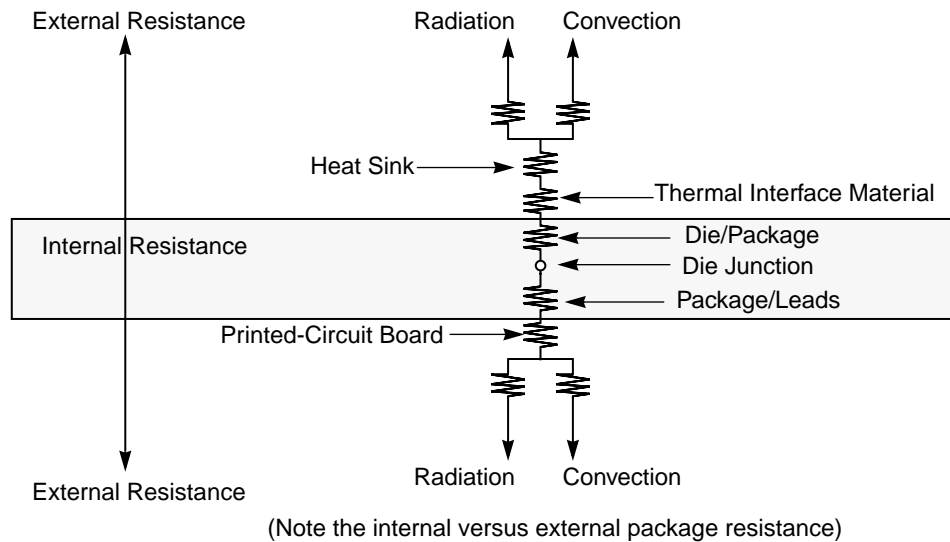
Ultimately, the final selection of an appropriate heat sink depends on many factors, such as thermal performance at a given air velocity, spatial volume, mass, attachment method, assembly, and cost.

### 1.8.7.1 Internal Package Conduction Resistance

For the exposed-die packaging technology, shown in Table 4, the intrinsic conduction thermal resistance paths are as follows:

- The die junction-to-case (or top-of-die for exposed silicon) thermal resistance
- The die junction-to-ball thermal resistance

Figure 21 depicts the primary heat transfer path for a package with an attached heat sink mounted to a printed-circuit board.



**Figure 21. C4 Package with Heat Sink Mounted to a Printed-Circuit Board**

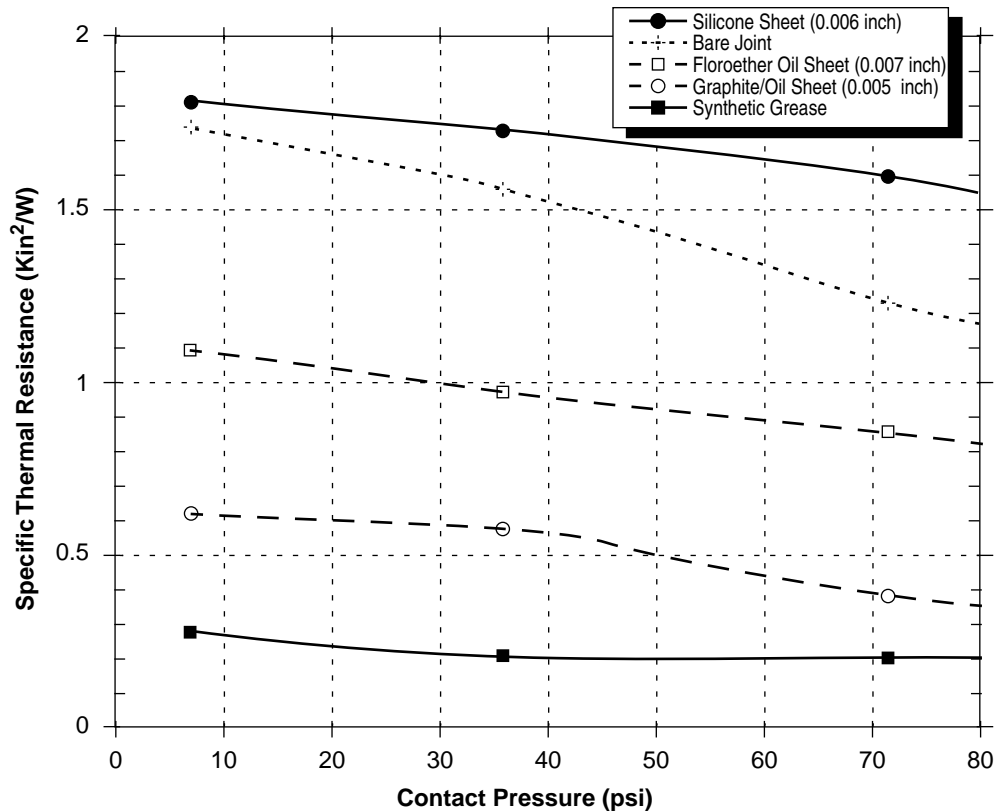
Heat generated on the active side of the chip is conducted through the silicon, then through the heat sink attach material (or thermal interface material), and finally to the heat sink where it is removed by forced-air convection.

Since the silicon thermal resistance is quite small, for a first-order analysis, the temperature drop in the silicon may be neglected. Thus, the heat sink attach material and the heat sink conduction/conductive thermal resistances are the dominant terms.

### 1.8.7.2 Adhesives and Thermal Interface Materials

A thermal interface material is recommended at the package lid-to-heat sink interface to minimize the thermal contact resistance. For those applications where the heat sink is attached by spring clip mechanism, Figure 22 shows the thermal performance of three thin-sheet thermal-interface materials (silicone, graphite/oil, fluoroether oil), a bare joint, and a joint with thermal grease as a function of contact pressure. As shown, the performance of these thermal interface materials improves with increasing contact pressure. The use of thermal grease significantly reduces the interface thermal resistance. That is, the bare joint results in a thermal resistance approximately 7 times greater than the thermal grease joint.

Heat sinks are attached to the package by means of a spring clip to holes in the printed-circuit board (see Figure 20). This spring force should not exceed 5.5 pounds of force. Therefore, the synthetic grease offers the best thermal performance, considering the low interface pressure. Of course, the selection of any thermal interface material depends on many factors—thermal performance requirements, manufacturability, service temperature, dielectric properties, cost, etc.



**Figure 22. Thermal Performance of Select Thermal Interface Material**

The board designer can choose between several types of thermal interface. Heat sink adhesive materials should be selected based upon high conductivity, yet adequate mechanical strength to meet equipment shock/vibration requirements. There are several commercially-available thermal interfaces and adhesive materials provided by the following vendors:

Dow-Corning Corporation	517-496-4000
Dow-Corning Electronic Materials	
PO Box 0997	
Midland, MI 48686-0997	
Chomerics, Inc.	617-935-4850
77 Dragon Court	
Woburn, MA 01888-4850	
Thermagon Inc.	216-741-7659
3256 West 25th Street	
Cleveland, OH 44109-1668	
Loctite Corporation	860-571-5100
1001 Trout Brook Crossing	
Rocky Hill, CT 06067	
AI Technology (e.g. EG7655)	609-882-2332
1425 Lower Ferry Rd.	
Trent, NJ 08618	

## System Design Information

The following section provides a heat sink selection example using one of the commercially available heat sinks.

### 1.8.7.3 Heat Sink Selection Example

For preliminary heat sink sizing, the die-junction temperature can be expressed as follows:

$$T_j = T_a + T_r + (\theta_{jc} + \theta_{int} + \theta_{sa}) * P_d$$

**Where:**

$T_j$  is the die-junction temperature

$T_a$  is the inlet cabinet ambient temperature

$T_r$  is the air temperature rise within the computer cabinet

$\theta_{jc}$  is the junction-to-case thermal resistance

$\theta_{int}$  is the adhesive or interface material thermal resistance

$\theta_{sa}$  is the heat sink base-to-ambient thermal resistance

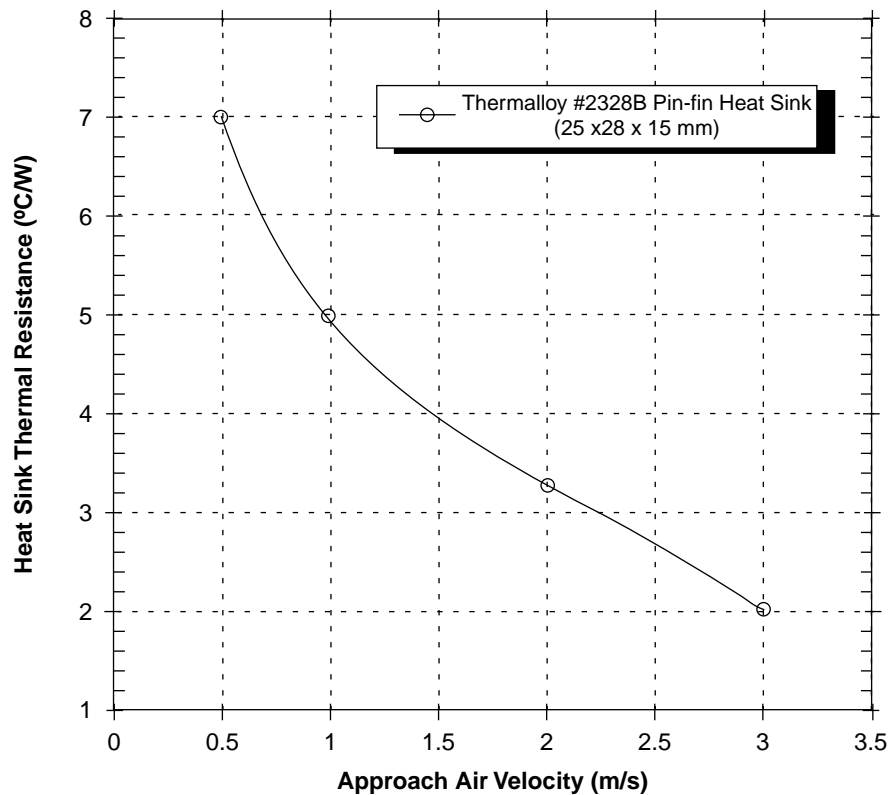
$P_d$  is the power dissipated by the device

During operation the die-junction temperatures ( $T_j$ ) should be maintained less than the value specified in Table 3. The temperature of the air cooling the component greatly depends upon the ambient inlet air temperature and the air temperature rise within the electronic cabinet. An electronic cabinet inlet-air temperature ( $T_a$ ) may range from 30 to 40 °C. The air temperature rise within a cabinet ( $T_r$ ) may be in the range of 5 to 10 °C. The thermal resistance of the thermal interface material ( $\theta_{int}$ ) is typically about 1 °C/W. Assuming a  $T_a$  of 30 °C, a  $T_r$  of 5 °C, a CQFP package  $\theta_{jc} = 2.2$ , and a power consumption ( $P_d$ ) of 4.5 watts, the following expression for  $T_j$  is obtained:

$$\text{Die-junction temperature: } T_j = 30 \text{ °C} + 5 \text{ °C} + (2.2 \text{ °C/W} + 1.0 \text{ °C/W} + \theta_{sa}) * 4.5 \text{ W}$$

For a Thermalloy heat sink #2328B, the heat sink-to-ambient thermal resistance ( $\theta_{sa}$ ) versus airflow velocity is shown in Figure 23.





**Figure 23. Thermalloy #2328B Heat Sink-to-Ambient Thermal Resistance Versus Airflow Velocity**

Assuming an air velocity of 0.5 m/s, we have an effective  $R_{sa}$  of 7 °C/W, thus

$$T_j = 30\text{ °C} + 5\text{ °C} + (2.2\text{ °C/W} + 1.0\text{ °C/W} + 7\text{ °C/W}) * 4.5\text{ W},$$

resulting in a die-junction temperature of approximately 81 °C which is well within the maximum operating temperature of the component.

Other heat sinks offered by Chip Coolers, IERC, Thermalloy, Wakefield Engineering, and Aavid Engineering offer different heat sink-to-ambient thermal resistances, and may or may not need air flow.

Though the die junction-to-ambient and the heat sink-to-ambient thermal resistances are a common figure-of-merit used for comparing the thermal performance of various microelectronic packaging technologies, one should exercise caution when only using this metric in determining thermal management because no single parameter can adequately describe three-dimensional heat flow. The final die-junction operating temperature, is not only a function of the component-level thermal resistance, but the system-level design and its operating conditions. In addition to the component's power consumption, a number of factors affect the final operating die-junction temperature—airflow, board population (local heat flux of adjacent components), heat sink efficiency, heat sink attach, heat sink placement, next-level interconnect technology, system air temperature rise, altitude, etc.

Due to the complexity and the many variations of system-level boundary conditions for today's microelectronic equipment, the combined effects of the heat transfer mechanisms (radiation, convection and conduction) may vary widely. For these reasons, we recommend using conjugate heat transfer models for the board, as well as, system-level designs. To expedite system-level thermal analysis, several “compact” thermal-package models are available within FLOTHERM®. These are available upon request.

## 1.9 Document Revision History

Table 20. Document Revision History

Document Revision	Substantive Change(s)
Rev 1	Modified introduction to indicate this document also addresses MPC750P parts fabricated in .19 $\mu$ process with attendant changes in supply voltages and electrical characteristics.
	Changed Section 1.3, "General Parameters," to include new Technology, Die size, and Core power supply for MPC750P.
	Changed Table 2 to include absolute maximum supply voltage for MPC750P.
	Changed Table 3 to include recommended supply voltages for MPC750P and extended L2 bus supply voltage down to 2.5V for all parts.
	Added Table 7 to provide power consumption of MPC750P.
	Changed Table 8, Table 9, and Table 10 to show test conditions appropriate to the process and add 300 MHz to AC specifications.
	Changed Table 9 to reduce input hold time (spec 11a and 11b) from 1ns to 0ns for all CPU frequencies.
	Changed Table 11, Table 12 and Table 13 to show extended test conditions for L2OVdd and add 300MHz to AC specifications.
	Changed Table 13 and Table 14 to show test conditions appropriate to the process.
Rev 2	Removed Preliminary overlay from document
	Deleted electrical specifications for the MPC750P part and created a separate specification describing the unique operating conditions of that part.
	Corrected Active polarity of $\overline{CKSTP\_OUT}$ , $\overline{CKSTP\_IN}$ , L2CE, L2WE, L2SYNC_IN, L2SYNC_OUT in Table 17.
	Added extended junction temperature parts to Table 3.
Rev 2.1	Removed 333MHz column from Table 13.
Rev 2.2	In Table 7, Maximum sleep power is increased to 300 mW.
Rev 2.3	Corrected Figure 16 and Figure 17, which omitted some dimensions due to format error.

## 1.10 Ordering Information

This section provides the part numbering nomenclature for the MPC750. Note that the individual part numbers correspond to a maximum processor core frequency. For available frequencies, contact your local Motorola sales office.

Figure 24 provides the Motorola part numbering nomenclature for the MPC750. In addition to the processor frequency, the part numbering scheme also consists of a part modifier and application modifier. The part modifier indicates any enhancement(s) in the part from the original production design. The bus divider may specify special bus frequencies or application conditions. Each part number also contains a

revision code. This refers to the die mask revision number and is specified in the part numbering scheme for identification purposes only.

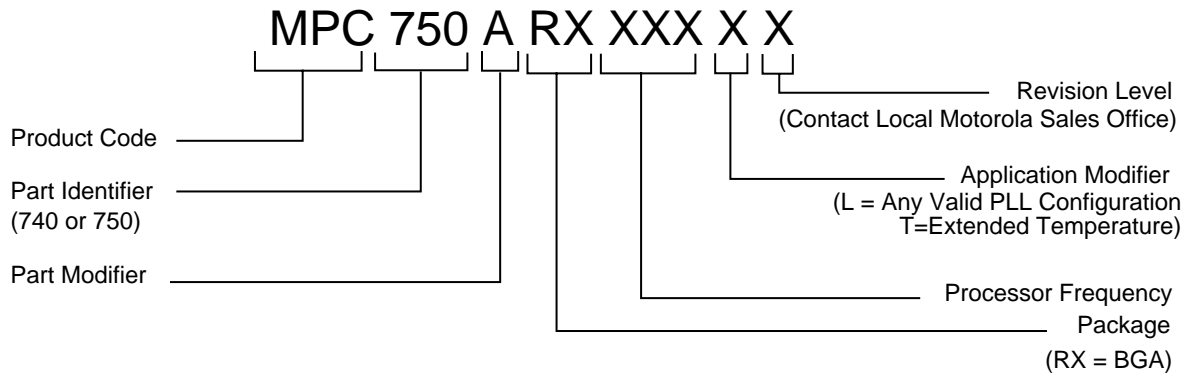



Figure 24. Motorola Part Number Key

DigitalDNA is a trademark of Motorola, Inc.

The PowerPC name, the PowerPC logotype, and PowerPC 603e are trademarks of International Business Machines Corporation used by Motorola under license from International Business Machines Corporation.

Information in this document is provided solely to enable system and software implementers to use PowerPC microprocessors. There are no express or implied copyright licenses granted hereunder to design or fabricate PowerPC integrated circuits or integrated circuits based on the information in this document.

Motorola reserves the right to make changes without further notice to any products herein. Motorola makes no warranty, representation or guarantee regarding the suitability of its products for any particular purpose, nor does Motorola assume any liability arising out of the application or use of any product or circuit, and specifically disclaims any and all liability, including without limitation consequential or incidental damages. "Typical" parameters which may be provided in Motorola data sheets and/or specifications can and do vary in different applications and actual performance may vary over time. All operating parameters, including "Typicals" must be validated for each customer application by customer's technical experts. Motorola does not convey any license under its patent rights nor the rights of others. Motorola products are not designed, intended, or authorized for use as components in systems intended for surgical implant into the body, or other applications intended to support or sustain life, or for any other application in which the failure of the Motorola product could create a situation where personal injury or death may occur. Should Buyer purchase or use Motorola products for any such unintended or unauthorized application, Buyer shall indemnify and hold Motorola and its officers, employees, subsidiaries, affiliates, and distributors harmless against all claims, costs, damages, and expenses, and reasonable attorney fees arising out of, directly or indirectly, any claim of personal injury or death associated with such unintended or unauthorized use, even if such claim alleges that Motorola was negligent regarding the design or manufacture of the part. Motorola and  are registered trademarks of Motorola, Inc. Motorola, Inc. is an Equal Opportunity/Affirmative Action Employer.

**HOW TO REACH US:**

**USA/EUROPE/LOCATIONS NOT LISTED:** Motorola Literature Distribution; P.O. Box 5405, Denver, Colorado 80217. 1-303-675-2140 or 1-800-441-2447

**JAPAN:** Motorola Japan Ltd.; SPS, Technical Information Center, 3-20-1, Minami-Azabu, Minato-ku, Tokyo 106-8573 Japan. 81-3-3440-3569

**ASIA/PACIFIC:** Motorola Semiconductors H.K. Ltd.; Silicon Harbour Centre, 2 Dai King Street, Tai Po Industrial Estate, Tai Po, N.T., Hong Kong. 852-26668334

**TECHNICAL INFORMATION CENTER:** 1-800-521-6274

**HOME PAGE:** <http://www.motorola.com/semiconductors>

**DOCUMENT COMMENTS:** FAX (512) 933-2625, Attn: RISC Applications Engineering

**WORLD WIDE WEB ADDRESSES:**

<http://www.motorola.com/PowerPC>  
<http://www.motorola.com/NetComm>



**MOTOROLA**

MPC750EC/D