



# 5-Pin Microprocessor Supervisory Circuits

MAX823/MAX824/MAX825

## General Description

The MAX823/MAX824/MAX825\* microprocessor ( $\mu$ P) supervisory circuits combine reset output, watchdog, and manual-reset input functions in a 5-pin SOT23-5 package. They significantly improve system reliability and accuracy compared to separate ICs or discrete components. The MAX823/MAX824/MAX825 are specifically designed to ignore fast transients on  $V_{CC}$ .

Five preprogrammed reset threshold voltages are available, designated by the following package suffixes: L = 4.63V, M = 4.38V, T = 3.08V, S = 2.93V, and R = 2.63V. All three devices have an active-low reset output, which is guaranteed to be in the correct state for  $V_{CC}$  down to 1V. The MAX824/MAX825 also have an active-high reset output. The following *Selector Guide* explains the functions offered in this series of parts.

## Applications

- Battery-Powered Computers and Controllers
- Embedded Controllers
- Intelligent Instruments
- Automotive Systems
- Critical  $\mu$ P Monitoring
- Portable/Battery-Powered Equipment

## Selector Guide

FUNCTION	MAX823	MAX824	MAX825
Active-Low Reset	✓	✓	✓
Active-High Reset	—	✓	✓
Watchdog Input	✓	✓	—
Manual-Reset Input	✓	—	✓

*Typical Operating Circuit appears at end of data sheet.*

*Marking Information appears at end of data sheet.*

## Features

- ◆ Precision Monitoring of +3V, +3.3V, and +5V Power Supplies
- ◆ Operating Current: 10 $\mu$ A (MAX823L/M)  
3 $\mu$ A (MAX825T/S/R)
- ◆ Fully Specified Over Temperature
- ◆ 140ms Min Power-On Reset
- ◆ Guaranteed  $\overline{\text{RESET}}$  Valid to  $V_{CC} = 1V$
- ◆ Power-Supply Transient Immunity
- ◆ Watchdog Timer with 1.6sec Timeout (MAX823/MAX824)
- ◆ Manual-Reset Input (MAX823/MAX825)
- ◆ No External Components

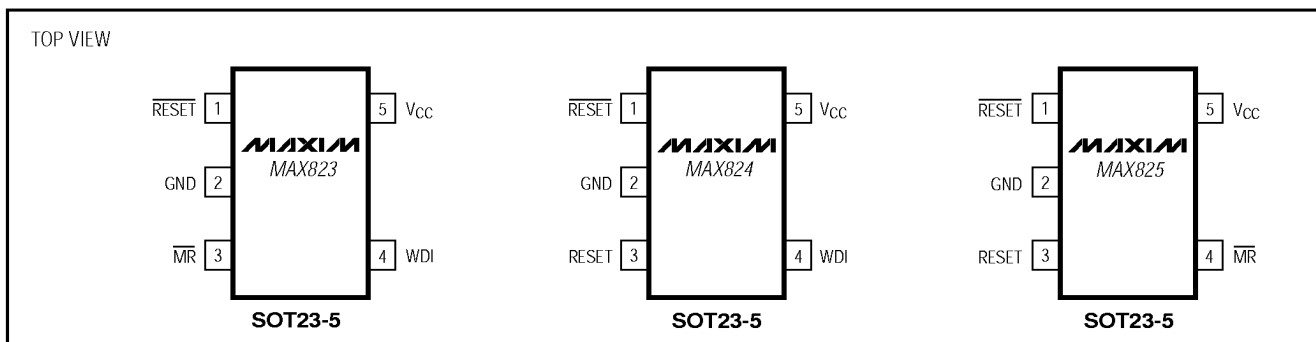
## Ordering Information

PART <sup>†</sup>	TEMP. RANGE	PIN-PACKAGE
MAX823_EUK	-40 °C to +85 °C	5 SOT23-5
MAX824_EUK	-40 °C to +85 °C	5 SOT23-5
MAX825_EUK	-40 °C to +85 °C	5 SOT23-5

<sup>†</sup>Insert the desired suffix letter (from the table below) into the blank to complete the part number.

SUFFIX	RESET THRESHOLD (V)
L	4.63
M	4.38
T	3.08
S	2.93
R	2.63

## Pin Configurations



\*Patents Pending



Maxim Integrated Products 1

**For free samples & the latest literature: <http://www.maxim-ic.com>, or phone 1-800-998-8800. For small orders, phone 408-737-7600 ext. 3468.**

# 5-Pin Microprocessor Supervisory Circuits

## ABSOLUTE MAXIMUM RATINGS

V<sub>CC</sub> .....-0.3V to +6.0V  
 All Other Pins .....-0.3V to (V<sub>CC</sub> + 0.3V)  
 Input Current, All Pins Except RESET and  $\overline{\text{RESET}}$  .....20mA  
 Output Current, RESET,  $\overline{\text{RESET}}$  .....20mA  
 Rate of Rise, V<sub>CC</sub> .....100V/ $\mu$ s  
 Continuous Power Dissipation (T<sub>A</sub> = +70 °C)  
   SOT23-5 (derate 7.1mW/ °C above +70 °C) .....571mW

Operating Temperature Range  
 MAX82\_EUK .....-40 °C to +85 °C  
 Storage Temperature Range .....-65 °C to +160 °C  
 Lead Temperature (soldering, 10sec) .....+300 °C

*Stresses beyond those listed under "Absolute Maximum Ratings" may cause permanent damage to the device. These are stress ratings only, and functional operation of the device at these or any other conditions beyond those indicated in the operational sections of the specifications is not implied. Exposure to absolute maximum rating conditions for extended periods may affect device reliability.*

## ELECTRICAL CHARACTERISTICS

(V<sub>CC</sub> = +4.75V to +5.5V for MAX82\_L, V<sub>CC</sub> = +4.5V to +5.5V for MAX82\_M, V<sub>CC</sub> = +3.15V to +3.6V for MAX82\_T, V<sub>CC</sub> = +3V to +3.6V for MAX82\_S, V<sub>CC</sub> = +2.7V to +3.6V for MAX82\_R, T<sub>A</sub> = T<sub>MIN</sub> to T<sub>MAX</sub>, unless otherwise noted. Typical values are at T<sub>A</sub> = +25 °C.) (Note 1)

PARAMETER	SYMBOL	CONDITIONS		MIN	TYP	MAX	UNITS			
Operating Voltage Range	V <sub>CC</sub>	T <sub>A</sub> = 0 °C to +70 °C		1.0		5.5	V			
		T <sub>A</sub> = -40 °C to +85 °C		1.2						
Supply Current	I <sub>SUPPLY</sub>	WDI and $\overline{\text{MR}}$ unconnected	MAX823L/M, MAX824L/M		10	24	$\mu$ A			
			MAX823T/S/R, MAX824T/S/R		5	12				
		$\overline{\text{MR}}$ unconnected	MAX825L/M		4.5	12				
			MAX825T/S/R		3	8				
Reset Threshold	V <sub>RST</sub>	MAX82_L	T <sub>A</sub> = +25 °C	4.56	4.63	4.70	V			
			T <sub>A</sub> = -40 °C to +85 °C	4.50		4.75				
		MAX82_M	T <sub>A</sub> = +25 °C	4.31	4.38	4.45				
			T <sub>A</sub> = -40 °C to +85 °C	4.25		4.50				
		MAX82_T	T <sub>A</sub> = +25 °C	3.04	3.08	3.11				
			T <sub>A</sub> = -40 °C to +85 °C	3.00		3.15				
		MAX82_S	T <sub>A</sub> = +25 °C	2.89	2.93	2.96				
			T <sub>A</sub> = -40 °C to +85 °C	2.85		3.00				
		MAX82_R	T <sub>A</sub> = +25 °C	2.59	2.63	2.66				
			T <sub>A</sub> = -40 °C to +85 °C	2.55		2.70				
		Reset Threshold Hysteresis		MAX82_L/M				10		mV
				MAX82_T/S/R				5		
Reset Threshold Temperature Coefficient					40		ppm/ °C			
Reset Timeout Period	t <sub>RP</sub>	MAX82_L/M		140	200	280	ms			
		MAX82_T/S/R		140	200	280				

# 5-Pin Microprocessor Supervisory Circuits

MAX823/MAX824/MAX825

## ELECTRICAL CHARACTERISTICS (continued)

( $V_{CC} = +4.75V$  to  $+5.5V$  for MAX82\_L,  $V_{CC} = +4.5V$  to  $+5.5V$  for MAX82\_M,  $V_{CC} = +3.15V$  to  $+3.6V$  for MAX82\_T,  $V_{CC} = +3V$  to  $+3.6V$  for MAX82\_S,  $V_{CC} = +2.7V$  to  $+3.6V$  for MAX82\_R,  $T_A = T_{MIN}$  to  $T_{MAX}$ , unless otherwise noted. Typical values are at  $T_A = +25\text{ }^\circ\text{C}$ .) (Note 1)

PARAMETER	SYMBOL	CONDITIONS	MIN	TYP	MAX	UNITS	
$\overline{\text{RESET}}$ Output Voltage	$V_{OH}$	MAX82_L/M, $V_{CC} = V_{RST\ max}$ , $I_{SOURCE} = 120\mu\text{A}$	$V_{CC} - 1.5$			V	
		MAX82_T/S/R, $V_{CC} = V_{RST\ max}$ , $I_{SOURCE} = 30\mu\text{A}$	$0.8V_{CC}$				
	$V_{OL}$	MAX82_L/M, $V_{CC} = V_{RST\ min}$ , $I_{SINK} = 3.2\text{mA}$			0.4		
		MAX82_T/S/R, $V_{CC} = V_{RST\ min}$ , $I_{SINK} = 1.2\text{mA}$			0.3		
		$T_A = 0\text{ }^\circ\text{C}$ to $+70\text{ }^\circ\text{C}$ , $V_{CC} = 1V$ , $V_{CC}$ falling, $I_{SINK} = 50\mu\text{A}$			0.3		
		$T_A = -40\text{ }^\circ\text{C}$ to $+85\text{ }^\circ\text{C}$ , $V_{CC} = 1.2V$ , $V_{CC}$ falling, $V_{BATT} = 0V$ , $I_{SINK} = 100\mu\text{A}$			0.3		
$\overline{\text{RESET}}$ Output Short-Circuit Current (Note 2)	$I_{SOURCE}$	MAX82_L/M, $\overline{\text{RESET}} = 0V$ , $V_{CC} = 5.5V$			800	$\mu\text{A}$	
		MAX82_T/S/R, $\overline{\text{RESET}} = 0V$ , $V_{CC} = 3.6V$			400		
RESET Output Voltage	$V_{OH}$	$V_{CC} > 1.8V$ , $I_{SOURCE} = 150\mu\text{A}$	$0.8V_{CC}$			V	
	$V_{OL}$	MAX824L/M, MAX825L/M, $V_{CC} = V_{RST\ max}$ , $I_{SINK} = 3.2\text{mA}$			0.4		
			MAX824T/S/R, MAX825T/S/R, $V_{CC} = V_{RST\ max}$ , $I_{SINK} = 1.2\text{mA}$			0.3	
$V_{CC}$ to $\overline{\text{RESET}}$ Delay		$V_{RST} - V_{CC} = 100\text{mV}$		20		$\mu\text{s}$	
<b>WATCHDOG INPUT (MAX823/MAX824)</b>							
Watchdog Timeout Period	$t_{WD}$		1.12	1.60	2.40	sec	
WDI Pulse Width	$t_{WDI}$	$V_{IL} = 0.4V$ , $V_{IH} = 0.8V_{CC}$	50			ns	
WDI Input Threshold (Note 3)	$V_{IL}$	$V_{CC} = 5V$			$0.3V_{CC}$	V	
	$V_{IH}$		$0.7V_{CC}$				
WDI Input Current (Note 4)		WDI = $V_{CC}$ , time average		120	160	$\mu\text{A}$	
		WDI = $0V$ , time average	-20	-15			
<b>MANUAL-RESET INPUT (MAX823/MAX825)</b>							
$\overline{\text{MR}}$ Input Threshold	$V_{IL}$		$0.3V_{CC}$			V	
	$V_{IH}$				$0.7V_{CC}$		
$\overline{\text{MR}}$ Pulse Width			1.0			$\mu\text{s}$	
$\overline{\text{MR}}$ Noise Immunity (pulse width with no reset)				100		ns	
$\overline{\text{MR}}$ to Reset Delay				500		ns	
$\overline{\text{MR}}$ Pull-Up Resistance (internal)			35	52	75	$\text{k}\Omega$	

**Note 1:** Over-temperature limits are guaranteed by design and not production tested.

**Note 2:** The  $\overline{\text{RESET}}$  short-circuit current is the maximum pull-up current when  $\overline{\text{RESET}}$  is driven low by a  $\mu\text{P}$  bidirectional reset pin.

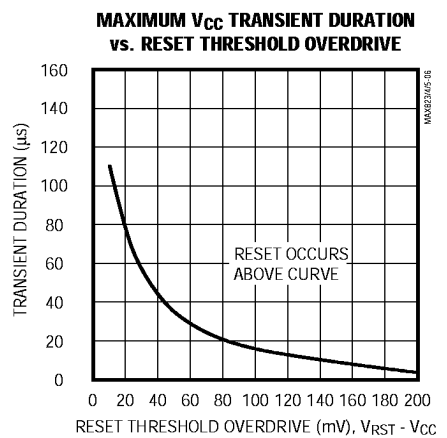
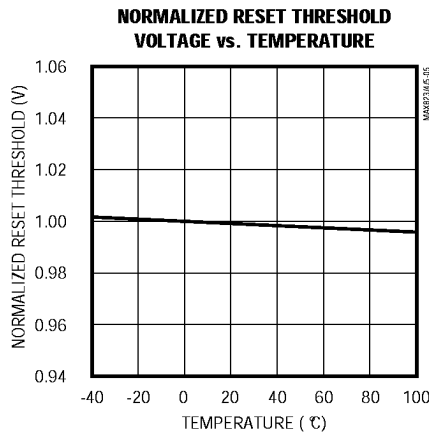
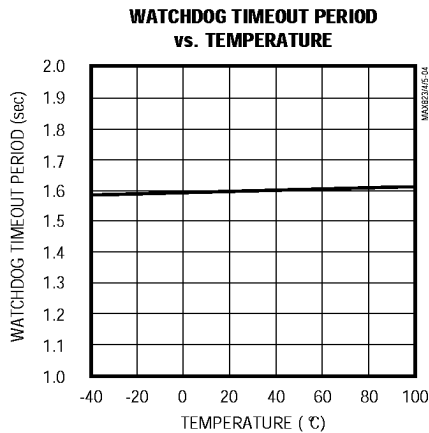
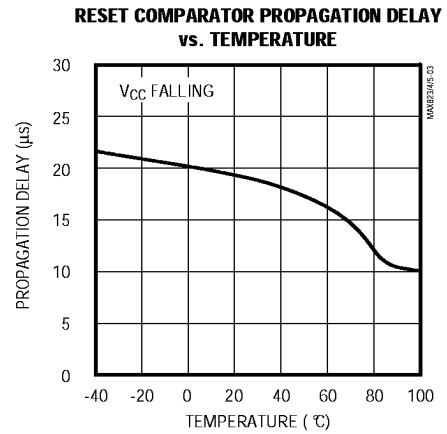
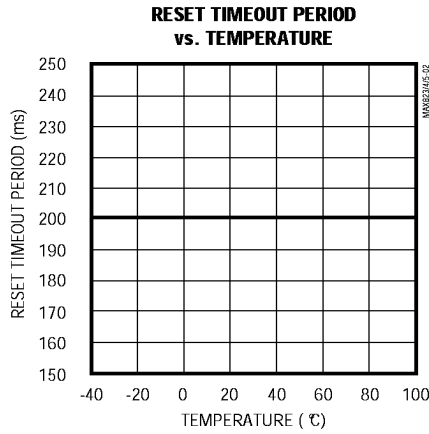
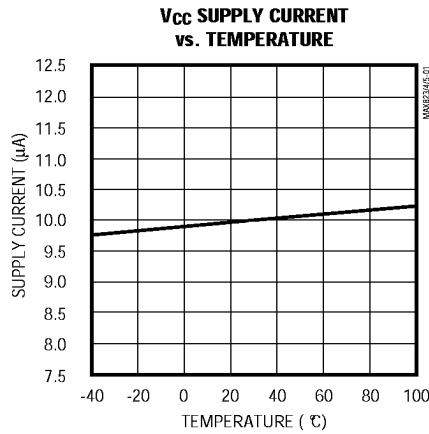
**Note 3:** WDI is internally serviced within the watchdog period if WDI is left unconnected.

**Note 4:** The WDI input current is specified as the average input current when the WDI input is driven high or low. The WDI input is designed to drive a three-stated-output device with a  $10\mu\text{A}$  maximum leakage current and a maximum capacitive load of  $200\text{pF}$ . This output device must be able to source and sink at least  $200\mu\text{A}$  when active.

# 5-Pin Microprocessor Supervisory Circuits

## Typical Operating Characteristics

(MAX823L,  $V_{CC} = +5V$ ,  $T_A = +25^\circ C$ , unless otherwise noted.)



# 5-Pin Microprocessor Supervisory Circuits

## Pin Description

PIN			NAME	FUNCTION
MAX823	MAX824	MAX825		
1	1	1	$\overline{\text{RESET}}$	Active-Low Reset Output. Pulses low for 200ms when triggered, and remains low whenever $V_{CC}$ is below the reset threshold or when $\overline{\text{MR}}$ is a logic low. It remains low for 200ms after one of the following occurs: $V_{CC}$ rises above the reset threshold, the watchdog triggers a reset, or $\overline{\text{MR}}$ goes low to high.
2	2	2	GND	Ground. 0V reference for all signals.
3	—	4	$\overline{\text{MR}}$	Manual-Reset Input. A logic low on $\overline{\text{MR}}$ asserts reset. Reset remains asserted as long as $\overline{\text{MR}}$ is held low and for 200ms after $\overline{\text{MR}}$ returns high. The active-low input has an internal 52k $\Omega$ pull-up resistor. It can be driven from a CMOS-logic line or shorted to ground with a switch. Leave open or connect to $V_{CC}$ if unused.
—	3	3	RESET	Active-High Reset Output. Inverse of $\overline{\text{RESET}}$ .
4	4	—	WDI	Watchdog Input. If WDI remains either high or low for longer than the watchdog timeout period, the internal watchdog timer runs out and a reset is triggered. The internal watchdog timer clears whenever reset is asserted, or whenever WDI sees a rising or falling edge. If WDI is left unconnected or is connected to a three-stated buffer output, the watchdog feature is disabled.
5	5	5	$V_{CC}$	Supply Voltage

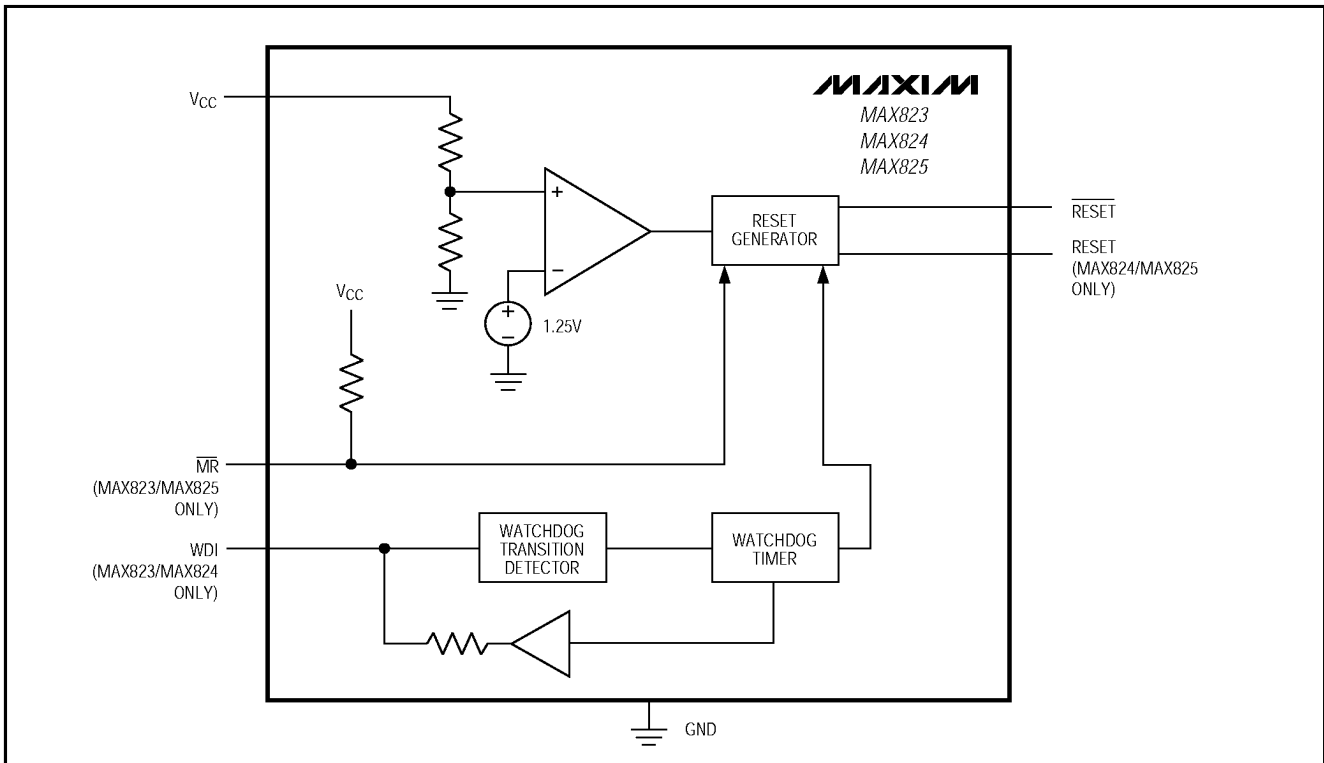


Figure 1. Functional Diagram

# 5-Pin Microprocessor Supervisory Circuits

## Detailed Description

### RESET Output

A microprocessor's ( $\mu P$ 's) reset input starts the  $\mu P$  in a known state. The MAX823/MAX824/MAX825  $\mu P$  supervisory circuits assert a reset to prevent code-execution errors during power-up, power-down, and brownout conditions. RESET is guaranteed to be a logic low for  $V_{CC}$  down to 1V. Once  $V_{CC}$  exceeds the reset threshold, an internal timer keeps RESET low for the specified reset timeout period ( $t_{RP}$ ); after this interval, RESET returns high (Figure 2).

If a brownout condition occurs ( $V_{CC}$  dips below the reset threshold), RESET goes low. Each time RESET is asserted it stays low for the reset timeout period. Any time  $V_{CC}$  goes below the reset threshold the internal timer restarts. RESET both sources and sinks current. RESET on the MAX824/MAX825 is the inverse of RESET.

### Manual-Reset Input (MAX823/MAX825)

Many  $\mu P$ -based products require manual-reset capability, allowing the operator, a test technician, or external logic circuitry to initiate a reset. On the MAX823/MAX825, a logic low on MR asserts reset. Reset remains asserted while MR is low, and for  $t_{RP}$  (200ms nominal) after it returns high. MR has an internal 52k $\Omega$  pull-up resistor, so it can be left open if not used. This input can be driven with CMOS-logic levels or with open-drain/collector outputs. Connect a normally open momentary switch from MR to GND to create a manual-reset function; external debounce circuitry is not required. If MR is driven from long cables or the device is used in a noisy environment, connect a 0.1 $\mu F$  capacitor from MR to GND to provide additional noise immunity.

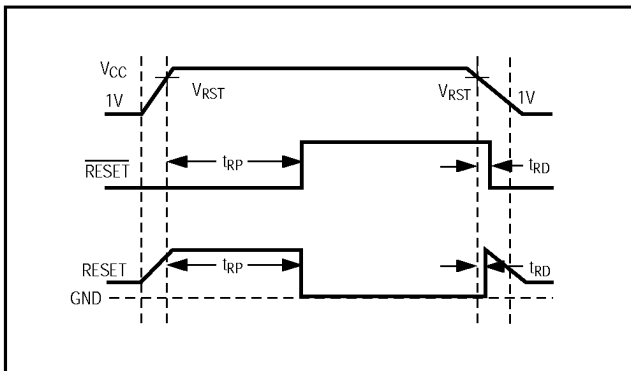


Figure 2. Reset Timing Diagram

### Watchdog Input (MAX823/MAX824)

In the MAX823/MAX824, the watchdog circuit monitors the  $\mu P$ 's activity. If the  $\mu P$  does not toggle the watchdog input (WDI) within  $t_{WD}$  (1.6sec), reset asserts. The internal 1.6sec timer is cleared by either a reset pulse or by toggling WDI, which detects pulses as short as 50ns. While reset is asserted, the timer remains cleared and does not count. As soon as reset is released, the timer starts counting (Figure 3).

Disable the watchdog function by leaving WDI unconnected or by three-stating the driver connected to WDI. The watchdog input is internally driven low during the first 7/8 of the watchdog timeout period and high for the last 1/8 of the watchdog timeout period. When WDI is left unconnected, this internal driver clears the 1.6sec timer every 1.4sec. When WDI is three-stated or unconnected, the maximum allowable leakage current is 10 $\mu A$  and the maximum allowable load capacitance is 200pF.

## Applications Information

### Watchdog Input Current

The MAX823/MAX824 WDI inputs are internally driven through a buffer and series resistor from the watchdog counter (Figure 1). When WDI is left unconnected, the watchdog timer is serviced within the watchdog timeout period by a low-high-low pulse from the counter chain. For minimum watchdog input current (minimum overall power consumption), leave WDI low for the majority of the watchdog timeout period, pulsing it low-high-low once within the first 7/8 of the watchdog timeout period to reset the watchdog timer. If WDI is externally driven high for the majority of the timeout period, up to 160 $\mu A$  can flow into WDI.

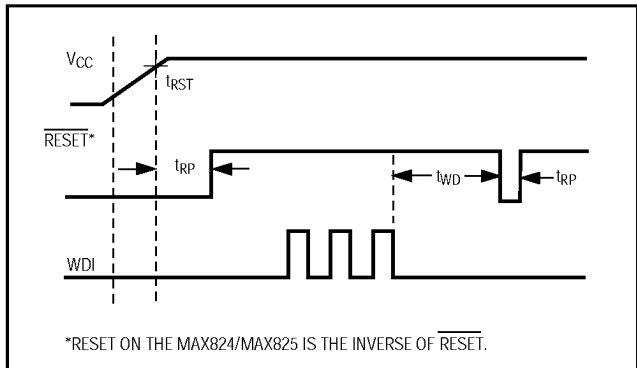


Figure 3. MAX823/MAX824 Watchdog Timing Relationship

# 5-Pin Microprocessor Supervisory Circuits

## Interfacing to $\mu$ Ps with Bidirectional Reset Pins

The  $\overline{\text{RESET}}$  output maximum pull-up current is  $800\mu\text{A}$  for L/M versions ( $400\mu\text{A}$  for T/S/R versions). This allows  $\mu$ Ps with bidirectional resets, such as the 68HC11, to force  $\overline{\text{RESET}}$  low when the MAX823/MAX824/MAX825 are pulling  $\overline{\text{RESET}}$  high (Figure 4).

## Negative-Going $V_{CC}$ Transients

These supervisors are relatively immune to short-duration, negative-going  $V_{CC}$  transients (glitches), which usually do not require the entire system to shut down. Resets are issued to the  $\mu$ P during power-up, power-down, and brownout conditions.

The *Typical Operating Characteristics* show a graph of the MAX823L's Maximum  $V_{CC}$  Transient Duration vs. Reset Threshold Overdrive, for which reset pulses are **not** generated. The graph was produced using negative-going  $V_{CC}$  pulses, starting at 5V and ending below the reset threshold by the magnitude indicated (reset threshold overdrive). The graph shows the maximum pulse width that a negative-going  $V_{CC}$  transient can typically have without triggering a reset pulse. As the amplitude of the transient increases (i.e., goes farther below the reset threshold), the maximum allowable pulse width decreases. Typically, a  $V_{CC}$  transient that goes 100mV below the reset threshold and lasts for 15 $\mu$ s or less will not trigger a reset pulse.

An optional 0.1 $\mu$ F bypass capacitor mounted close to  $V_{CC}$  provides additional transient immunity.

## Watchdog Software Considerations (MAX823/MAX824)

One way to help the watchdog timer monitor software execution more closely is to set and reset the watchdog input at different points in the program, rather than pulsing the watchdog input high-low-high or low-high-low. This technique avoids a stuck loop, in which the watchdog timer would continue to be reset inside the loop, keeping the watchdog from timing out.

Figure 5 shows an example of a flow diagram where the I/O driving the watchdog input is set high at the beginning of the program, set low at the beginning of every subroutine or loop, then set high again when the program returns to the beginning. If the program should hang in any subroutine, the problem would quickly be corrected, since the I/O is continually set low and the watchdog timer is allowed to time out, causing a reset or interrupt to be issued. As described in the *Watchdog Input Current* section, this scheme results in higher time average WDI input current than does leaving WDI low for the majority of the timeout period and periodically pulsing it low-high-low.

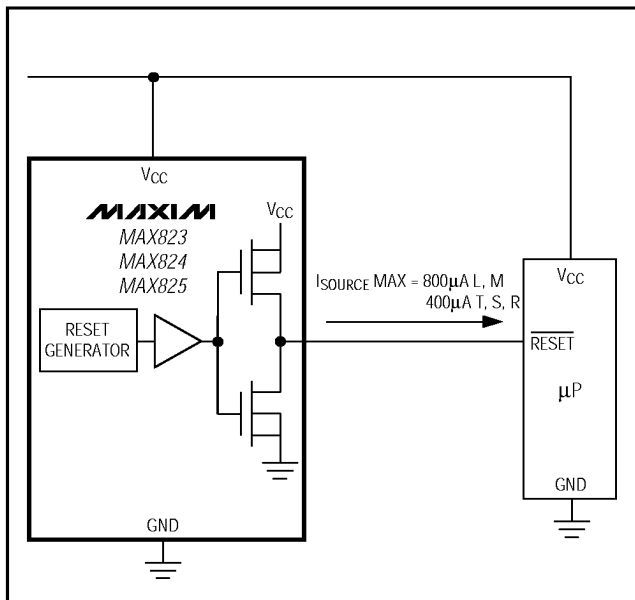


Figure 4. Interfacing to  $\mu$ Ps with Bidirectional Resets

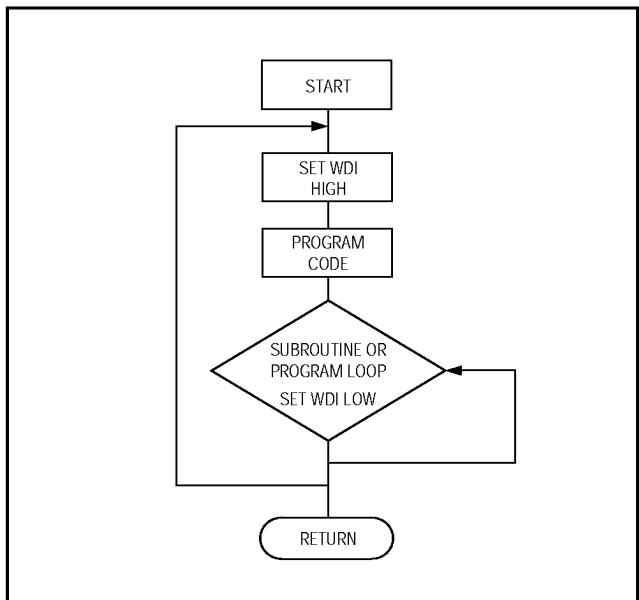
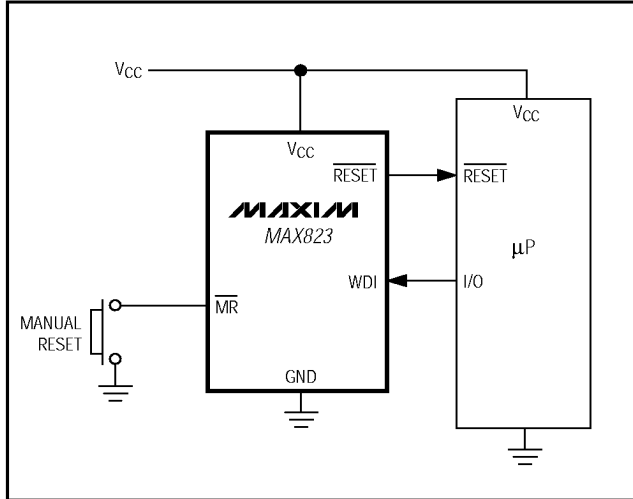


Figure 5. Watchdog Flow Diagram

# 5-Pin Microprocessor Supervisory Circuits

## Typical Operating Circuit



## Chip Information

TRANSISTOR COUNT: 607

## Package Information

**MARKING INFORMATION (TOP)**

**XXXX**

- AAAI = MAX823L
- AAAJ = MAX823M
- AAAK = MAX823T
- AAAL = MAX823S
- AAAM = MAX823R
- AAAN = MAX824L
- AAAO = MAX824M
- AAAP = MAX824T
- AAAQ = MAX824S
- AAAR = MAX824R
- AAAS = MAX825L
- AAAT = MAX825M
- AAAU = MAX825T
- AAAV = MAX825S
- AAAW = MAX825R

SYMBOL	MIN	MAX
A	0.90	1.45
A1	0.00	0.15
A2	0.90	1.30
b	0.35	0.50
C	0.08	0.20
D	2.80	3.00
E	2.60	3.00
E1	1.50	1.75
L	0.35	0.55
e		0.95 REF
e1		1.90 REF
a	0*	10*

SOT23-5L

**NOTE:**

1. ALL DIMENSIONS ARE IN MILLIMETERS.
2. FOOT LENGTH MEASURED AT INTERCEPT POINT BETWEEN DATUM A & LEAD SURFACE.
3. PACKAGE OUTLINE EXCLUSIVE OF MOLD FLASH & METAL BURR.
4. PACKAGE OUTLINE INCLUSIVE OF SOLDER PLATING.

<b>MAXIM</b>		
PROPRIETARY INFORMATION		
TITLE:		
PACKAGE OUTLINE, SOT23, 5L		
APPROVAL:	DOCUMENT CONTROL NO.:	REV:
	21-0057	B 1/1

Maxim cannot assume responsibility for use of any circuitry other than circuitry entirely embodied in a Maxim product. No circuit patent licenses are implied. Maxim reserves the right to change the circuitry and specifications without notice at any time.

**8** Maxim Integrated Products, 120 San Gabriel Drive, Sunnyvale, CA 94086 408-377-7600

© 1997 Maxim Integrated Products

Printed USA

MAXIM is a registered trademark of Maxim Integrated Products.