

## LPC Super I/O with Hardware Monitoring Block

### FEATURES

- 3.3 Volt Operation (SIO Block is 5 Volt Tolerant)
- LPC Interface
- ACPI 1.0/2.0 Compliant
- Fan Control
  - Fan Speed Control Outputs (2)
  - Fan Tachometer Inputs (2)
- Programmable Wake-up Event Interface
- PC98, PC99, PC01 Compliant
- Dual Game Port Interface
- MPU-401 MIDI Support
- General Purpose Input/Output Pins (37)
- ISA Plug-and-Play Compatible Register Set
- Intelligent Auto Power Management
- System Management Interrupt
- 2.88MB Super I/O Floppy Disk Controller
  - Licensed CMOS 765B Floppy Disk Controller
  - Software and Register Compatible with SMSC's Proprietary 82077AA Compatible Core
  - Supports Two Floppy Drives
  - Configurable Open Drain/Push-Pull Output Drivers
  - Supports Vertical Recording Format
  - 16-Byte Data FIFO
  - 100% IBM Compatibility
  - Detects All Overrun and Underrun Conditions
  - Sophisticated Power Control Circuitry (PCC) Including Multiple Powerdown Modes for Reduced Power Consumption
  - DMA Enable Logic
  - Data Rate and Drive Control Registers
  - 480 Address, Up to 15 IRQ and Three DMA Options
- Enhanced Digital Data Separator
  - 2 Mbps, 1 Mbps, 500 Kbps, 300 Kbps, 250 Kbps Data Rates
  - Programmable Precompensation Modes
- Keyboard Controller
  - 8042 Software Compatible
  - 8 Bit Microcomputer
  - 2k Bytes of Program ROM
  - 256 Bytes of Data RAM
  - Four Open Drain Outputs Dedicated for Keyboard/Mouse Interface
  - Asynchronous Access to Two Data Registers and One Status Register
  - Supports Interrupt and Polling Access
  - 8 Bit Counter Timer
- Port 92 Support
- Fast Gate A20 and KRESET Outputs
- Serial Ports
  - Two Full Function Serial Ports
  - High Speed 16C550A Compatible UARTs with Send/Receive 16-Byte FIFOs
  - Supports 230k and 460k Baud Programmable Baud Rate Generator Modem Control Circuitry
  - 480 Address and 15 IRQ Options
- Infrared Port
  - Multiprotocol Infrared Interface
  - IrDA 1.0 Compliant
  - SHARP ASK IR
  - 480 Addresses, Up to 15 IRQ
- Multi-Mode Parallel Port with ChiProtect
  - Standard Mode IBM PC/XT, PC/AT, and PS/2 Compatible Bi-directional Parallel Port
  - Enhanced Parallel Port (EPP) Compatible - EPP 1.7 and EPP 1.9 (IEEE 1284 Compliant)
  - IEEE 1284 Compliant Enhanced Capabilities Port (ECP)
  - ChiProtect Circuitry for Protection
  - 960 Address, Up to 15 IRQ and Three DMA Options
- LPC Interface
  - Multiplexed Command, Address and Data Bus
  - Serial IRQ Interface Compatible with Serialized IRQ Support for PCI Systems
  - PME Interface
- Hardware Monitor
  - Monitor Power supplies (+2.5V, +3.3V, +5V, +12V, +1.8V, +1.5V, Vccp (processor voltage), and VCC or HVSB)
  - Remote Thermal Diode Sensing for Two External Temperature Measurements
  - Internal Ambient Temperature Measurement
  - Limit Comparison of all Monitored Values
  - System Management Bus (SMBus) Interface
  - THERM# Pin for out-of-limit Temperature or Voltage Indication
  - RESET# Pin for generating 20msec Low Reset Pulse
  - Configurable offset for internal or external temperature channels.
- AMI Keyboard BIOS ROM
- 128 Pin QFP, 3.2mm footprint Package; green, lead-free package also available



80 Arkay Drive  
Hauppauge, NY 11788  
(631) 435-6000  
FAX (631) 273-3123

Copyright © SMSC 2005. All rights reserved.

Circuit diagrams and other information relating to SMSC products are included as a means of illustrating typical applications. Consequently, complete information sufficient for construction purposes is not necessarily given. Although the information has been checked and is believed to be accurate, no responsibility is assumed for inaccuracies. SMSC reserves the right to make changes to specifications and product descriptions at any time without notice. Contact your local SMSC sales office to obtain the latest specifications before placing your product order. The provision of this information does not convey to the purchaser of the described semiconductor devices any licenses under any patent rights or other intellectual property rights of SMSC or others. All sales are expressly conditional on your agreement to the terms and conditions of the most recently dated version of SMSC's standard Terms of Sale Agreement dated before the date of your order (the "Terms of Sale Agreement"). The product may contain design defects or errors known as anomalies which may cause the product's functions to deviate from published specifications. Anomaly sheets are available upon request. SMSC products are not designed, intended, authorized or warranted for use in any life support or other application where product failure could cause or contribute to personal injury or severe property damage. Any and all such uses without prior written approval of an Officer of SMSC and further testing and/or modification will be fully at the risk of the customer. Copies of this document or other SMSC literature, as well as the Terms of Sale Agreement, may be obtained by visiting SMSC's website at <http://www.smisc.com>. SMSC is a registered trademark of Standard Microsystems Corporation ("SMSC"). Product names and company names are the trademarks of their respective holders.

**SMSC DISCLAIMS AND EXCLUDES ANY AND ALL WARRANTIES, INCLUDING WITHOUT LIMITATION ANY AND ALL IMPLIED WARRANTIES OF MERCHANTABILITY, FITNESS FOR A PARTICULAR PURPOSE, TITLE, AND AGAINST INFRINGEMENT AND THE LIKE, AND ANY AND ALL WARRANTIES ARISING FROM ANY COURSE OF DEALING OR USAGE OF TRADE.**

**IN NO EVENT SHALL SMSC BE LIABLE FOR ANY DIRECT, INCIDENTAL, INDIRECT, SPECIAL, PUNITIVE, OR CONSEQUENTIAL DAMAGES; OR FOR LOST DATA, PROFITS, SAVINGS OR REVENUES OF ANY KIND; REGARDLESS OF THE FORM OF ACTION, WHETHER BASED ON CONTRACT; TORT; NEGLIGENCE OF SMSC OR OTHERS; STRICT LIABILITY; BREACH OF WARRANTY; OR OTHERWISE; WHETHER OR NOT ANY REMEDY OF BUYER IS HELD TO HAVE FAILED OF ITS ESSENTIAL PURPOSE, AND WHETHER OR NOT SMSC HAS BEEN ADVISED OF THE POSSIBILITY OF SUCH DAMAGES.**

## 1 GENERAL DESCRIPTION

The LPC47M192 is a 3.3V (Super I/O Block is 5V tolerant) PC99/PC2001 compliant Super I/O controller with an LPC interface and Hardware Monitoring capabilities.

The LPC47M192's hardware monitoring capability includes voltage and temperature monitoring with the ability to alert the system of out-of-limit conditions. There are 7 analog inputs for monitoring external voltages of +1.5V, +1.8V, +2.5V, +3.3V, +5V, +12V and V<sub>ccp</sub> (core processor voltage), as well as internal monitoring of the device's own HVCC or HVSB. The LPC47M192 includes support for monitoring two external temperatures via thermal diode inputs and an internal sensor for measuring ambient temperature. The nTHERM pin is implemented to indicate out-of-limit temperature and voltage conditions. The block has an ability to output 20ms low pulse via nRESET pin. The hardware monitoring block of the LPC47M192 is accessible via the System Management Bus (SMBus).

The LPC47M192 incorporates complete legacy Super I/O functionality including an 8042 based keyboard and mouse controller, an IEEE 1284, EPP, and ECP compatible parallel port, two serial ports that are 16C550A UART compatible, two IrDA 1.0 infrared ports, and a floppy disk controller with SMSC's true CMOS 765B core and enhanced digital data separator. The true CMOS 765B core provides 100% compatibility with IBM PC/XT and PC/AT architectures and is software and register compatible with SMSC's proprietary 82077AA core. System related functionality, which offers flexibility to the system designer, includes an MPU-401 MIDI interface, (37) General Purpose I/O control functions, control of two LED's, a game port interface supporting two joysticks, and fan control using fan tachometer inputs and pulse width modulator, (PWM), outputs.

The LPC47M192 is ACPI 1.0/2.0 compatible and therefore supports multiple low power-down modes. It incorporates sophisticated power control circuitry (PCC) which includes support for keyboard and mouse wake-up events.

The LPC47M192 supports the ISA Plug-and-Play Standard register set (Version 1.0a). The I/O Address, DMA Channel and hardware IRQ of each logical device in the LPC47M192 may be reprogrammed through the internal configuration registers. There are up to 480 (960 - Parallel Port) I/O address location options, a Serialized IRQ interface, and Three DMA channels.

The LPC47M192 does not require any external filter components and is therefore easy to use and offers lower system costs and reduced board area.

### ORDERING INFORMATION

PART#	PACKAGE	KEYBOARD BIOS
LPC47M192-NC	128 Pin QFP	AMI
LPC47M192-NW	128 Pin QFP Green, Lead-Free	AMI

# TABLE OF CONTENTS

<b>1</b>	<b>GENERAL DESCRIPTION .....</b>	<b>3</b>
<b>2</b>	<b>PIN LAYOUT .....</b>	<b>10</b>
<b>3</b>	<b>PIN CONFIGURATION .....</b>	<b>11</b>
<b>4</b>	<b>DESCRIPTION OF PIN FUNCTIONS .....</b>	<b>12</b>
4.1	BUFFER NAME DESCRIPTIONS.....	20
4.2	PINS THAT REQUIRE EXTERNAL PULLUP RESISTORS.....	20
4.2.1	<i>Super I/O Pins</i> .....	20
4.2.2	<i>Hardware Monitoring Block Pins</i> .....	21
<b>5</b>	<b>BLOCK DIAGRAM.....</b>	<b>22</b>
<b>6</b>	<b>POWER FUNCTIONALITY .....</b>	<b>23</b>
6.1	VCC/HVCC POWER .....	23
6.1.1	<i>3 VOLT OPERATION / 5 VOLT TOLERANCE</i> .....	23
6.2	VREF PIN.....	23
6.3	VTR SUPPORT.....	23
6.3.1	<i>Trickle Power Functionality</i> .....	23
6.4	32.768 KHZ TRICKLE CLOCK INPUT.....	25
6.4.1	<i>Indication of 32KHZ Clock</i> .....	25
6.5	INTERNAL PWRGOOD.....	25
6.6	MAXIMUM CURRENT VALUES.....	25
6.6.1	<i>Super I/O Functions</i> .....	25
6.6.2	<i>Hardware Monitoring Block Functions</i> .....	26
6.7	POWER MANAGEMENT EVENTS (PME/SCI).....	26
<b>7</b>	<b>FUNCTIONAL DESCRIPTION.....</b>	<b>27</b>
7.1	SUPER I/O REGISTERS .....	27
7.2	HOST PROCESSOR INTERFACE (LPC) .....	27
7.3	LPC INTERFACE .....	28
7.3.1	<i>LPC Interface Signal Definition</i> .....	28
7.3.2	<i>LPC Cycles</i> .....	28
7.3.3	<i>Field Definitions</i> .....	28
7.3.4	<i>LFRAME# Usage</i> .....	28
7.3.5	<i>I/O Read and Write Cycles</i> .....	29
7.3.6	<i>DMA Read and Write Cycles</i> .....	29
7.3.7	<i>DMA Protocol</i> .....	29
7.3.8	<b>POWER MANAGEMENT</b> .....	29
7.3.8.1	<i>CLOCKRUN Protocol</i> .....	29
7.3.8.2	<i>LPCPD Protocol</i> .....	29
7.3.9	<b>SYNC Protocol</b> .....	29
7.3.9.1	<i>Typical Usage</i> .....	29
7.3.9.2	<i>SYNC Timeout</i> .....	30
7.3.9.3	<i>SYNC Patterns and Maximum Number of SYNCs</i> .....	30
7.3.9.4	<i>SYNC Error Indication</i> .....	30
7.3.9.5	<i>I/O and DMA START Fields</i> .....	30
7.3.9.6	<i>Reset Policy</i> .....	30
7.3.10	<b>LPC TRANSFERS</b> .....	30
7.3.10.1	<i>Wait State Requirements</i> .....	30
7.4	<b>FLOPPY DISK CONTROLLER</b> .....	<b>31</b>
7.4.1	<i>FDC Internal Registers</i> .....	31
7.4.2	<i>STATUS REGISTER ENCODING</i> .....	41
7.4.3	<i>Instruction Set</i> .....	48
7.4.4	<i>DATA TRANSFER COMMANDS</i> .....	54
7.4.5	<i>DIRECT SUPPORT FOR TWO FLOPPY DRIVES</i> .....	64

7.4.6	FDC Swap Bit .....	64
7.5	SERIAL PORT (UART).....	64
7.6	INFRARED INTERFACE.....	77
7.7	MPU-401 MIDI UART.....	78
7.7.1	Overview.....	78
7.7.2	Host Interface .....	79
7.7.3	MIDI Data Port.....	79
7.7.4	Status Port.....	79
7.7.4.1	Bit 7 – MIDI Receive Buffer Empty .....	79
7.7.4.2	Bit 6 – MIDI Transmit Busy .....	80
7.7.5	MPU-401 Command Controller .....	81
7.7.6	MIDI UART .....	82
7.7.7	MPU-401 Configuration Registers .....	82
7.7.7.1	Activate and I/O Base address.....	83
7.8	PARALLEL PORT .....	83
7.8.1	IBM XT/AT Compatible, Bi-Directional and EPP Modes.....	84
7.8.2	Extended Capabilities Parallel Port.....	88
7.9	POWER MANAGEMENT .....	98
7.10	SERIAL IRQ .....	102
7.11	8042 KEYBOARD CONTROLLER DESCRIPTION .....	105
7.11.1	Keyboard Interface.....	106
7.11.2	External Keyboard and Mouse Interface.....	107
7.11.3	Keyboard Power Management.....	107
7.11.4	Interrupts.....	108
7.11.5	Memory Configurations .....	108
7.11.6	Register Definitions.....	108
7.11.6.1	Host I/F Data Register.....	108
7.11.6.2	Host I/F Status Register.....	108
7.11.7	External Clock Signal.....	108
7.11.8	Default Reset Conditions .....	109
7.11.9	Keyboard and Mouse PME Generation.....	112
7.12	GENERAL PURPOSE I/O.....	113
7.12.1	GPIO Pins .....	113
7.12.2	Description .....	114
7.12.3	GPIO Control.....	115
7.12.4	GPIO Operation .....	116
7.12.5	GPIO PME and SMI Functionality.....	117
7.12.6	Either Edge Triggered Interrupts.....	118
7.12.7	LED Functionality.....	118
7.13	SYSTEM MANAGEMENT INTERRUPT (SMI) .....	118
7.13.1	SMI Registers.....	119
7.14	PME SUPPORT .....	119
7.14.1	'Wake on Specific Key' Option .....	120
7.15	FAN SPEED CONTROL AND MONITORING .....	121
7.15.1	Fan Speed Control.....	121
7.15.2	Fan Speed Monitoring.....	122
7.16	SECURITY FEATURE .....	125
7.16.1	GPIO Device Disable Register Control .....	125
7.16.2	Device Disable Register.....	125
7.17	GAME PORT LOGIC .....	125
7.17.1	Power Control Register.....	128
7.17.2	VREF Pin .....	128
7.18	HARDWARE MONITORING INTERFACE.....	129
7.18.1	Hardware Monitoring Interface Signal Definition.....	129
7.18.2	SMBus Interface.....	129
7.18.2.1	SMBus Slave Interface.....	130
7.18.3	Hardware Monitoring Block.....	132
7.18.3.1	Input Monitoring.....	132
7.18.3.2	Resetting the Hardware Monitoring Block.....	132
7.18.3.3	Reset Out Pin .....	133
7.18.3.4	Monitoring Modes.....	133
7.18.3.5	Interrupt Status Registers .....	134
7.18.3.6	Low Power Modes .....	134

7.18.3.7	Analog Voltage Measurement.....	135
7.18.3.8	Voltage ID.....	135
7.18.3.9	Temperature Measurement.....	135
7.18.3.10	Thermal / Voltage Interrupt Pin.....	136
7.18.3.11	Input Safety.....	137
7.18.3.12	Layout Considerations.....	137
<b>8</b>	<b>RUNTIME REGISTERS .....</b>	<b>139</b>
<b>9</b>	<b>CONFIGURATION .....</b>	<b>166</b>
9.1	SYSTEM ELEMENTS.....	166
9.1.1	Primary Configuration Address Decoder.....	166
9.1.1.1	Entering the Configuration State.....	166
9.1.1.2	Exiting the Configuration State.....	166
9.2	CONFIGURATION SEQUENCE.....	167
9.2.1	Enter Configuration Mode.....	167
9.2.1.1	Configuration Mode.....	167
9.2.2	Exit Configuration Mode.....	167
9.2.2.1	Programming Example.....	167
9.3	CHIP LEVEL (GLOBAL) CONTROL/CONFIGURATION REGISTERS [0x00-0x2F].....	170
9.4	LOGICAL DEVICE CONFIGURATION/CONTROL REGISTERS [0x30-0xFF].....	173
9.5	SMSC DEFINED LOGICAL DEVICE CONFIGURATION REGISTERS.....	178
<b>10</b>	<b>REGISTERS FOR HARDWARE MONITORING BLOCK.....</b>	<b>184</b>
10.1	REGISTER SUMMARY.....	184
10.2	INTERNAL ADDRESS REGISTER.....	184
10.3	VALUE OR LIMIT REGISTERS (15H-3DH).....	184
10.3.1.1	Registers 3Eh-4Fh.....	186
<b>11</b>	<b>OPERATIONAL DESCRIPTION.....</b>	<b>190</b>
11.1	MAXIMUM GUARANTEED RATINGS.....	190
11.1.1	Super I/O section (pins 1 to 100).....	190
11.1.2	Hardware Monitoring Block (pins 101 to 128).....	190
11.2	HARDWARE MONITORING BLOCK SPECIFICATIONS.....	190
11.2.1	Key Specifications.....	190
11.2.2	Supply Current.....	190
11.2.3	Operating Temperature.....	190
11.2.4	Operating Voltage Ratings.....	190
11.3	DC ELECTRICAL CHARACTERISTICS.....	191
11.3.1	Capacitance values for Pins.....	196
<b>12</b>	<b>TIMING DIAGRAMS .....</b>	<b>197</b>
<b>13</b>	<b>PACKAGE OUTLINE.....</b>	<b>220</b>
<b>14</b>	<b>APPENDIX A – THERMAL DIODE PARAMETERS.....</b>	<b>221</b>
<b>15</b>	<b>APPENDIX B – ADC VOLTAGE CONVERSION.....</b>	<b>222</b>
<b>16</b>	<b>APPENDIX C - TEST MODE .....</b>	<b>223</b>
16.1	SUPER I/O BLOCK.....	223
16.1.1	Board Test Mode.....	223
16.2	HARDWARE MONITORING BLOCK.....	225
16.2.1	Board Test Mode.....	225
16.2.2	XNOR-Chain Test Mode.....	225
<b>17</b>	<b>APPENDIX D - REFERENCE DOCUMENTS.....</b>	<b>227</b>
<b>18</b>	<b>LPC47M192 REVISIONS.....</b>	<b>228</b>

## TABLES

Table 1 – Super I/O Block Addresses .....	27
Table 2 – Status, Data and Control Registers .....	31
Table 3 – Internal 2 Drive Decode – Normal .....	34
Table 4 – Internal 2 Drive Decode – Drives 0 and 1 Swapped .....	35
Table 5 – Tape Select Bits .....	35
Table 6 – Drive Type ID .....	35
Table 7 – Precompensation Delays .....	36
Table 8 – Data Rates .....	37
Table 9 – DRV DEN Mapping .....	37
Table 10 – Default Precompensation Delays .....	37
Table 11 – FIFO Service Delay .....	39
Table 12 – Status Register 0 .....	41
Table 13 – Status Register 1 .....	41
Table 14 – Status Register 2 .....	42
Table 15 – Status Register 3 .....	42
Table 16 – Description of Command Symbols .....	45
Table 17 – Instruction Set .....	48
Table 18 – Sector Sizes .....	54
Table 19 – Effects of MT and N Bits .....	55
Table 20 – Skip Bit vs Read Data Command .....	55
Table 21 – Skip Bit vs. Read Deleted Data Command .....	55
Table 22 – Result Phase Table .....	56
Table 23 – Verify Command Result Phase Table .....	57
Table 24 – Typical Values for Formatting .....	58
Table 25 – Interrupt Identification .....	60
Table 26 – Drive Control Delays (ms) .....	61
Table 27 – Effects of WGATE and GAP Bits .....	63
Table 28 – Addressing the Serial Port .....	65
Table 29 – Interrupt Control Table .....	67
Table 30 - Baud Rates .....	73
Table 31 - Reset Function Table .....	73
Table 32 - Register Summary for an Individual UART Channel .....	74
Table 33 – MPU-401 HOST INTERFACE REGISTERS .....	79
Table 34 - MIDI Data Port .....	79
Table 35 - MPU-401 STATUS PORT .....	79
Table 36 – MIDI RECEIVE BUFFER EMPTY STATUS BIT .....	80
Table 37 - MIDI TRANSMIT BUSY STATUS BIT .....	80
Table 38 - MPU-401 COMMAND PORT .....	80
Table 39 - Parallel Port Connector .....	83
Table 40 - EPP Pin Descriptions .....	88
Table 41 – ECP Pin Descriptions .....	90
Table 42 - ECP Register Definitions .....	90
Table 43 - Mode Descriptions .....	91
Table 44a - Extended Control Register .....	94
Table 45 - Channel/Data Commands supported in ECP mode .....	96
Table 46 - PC/AT and PS/2 Available Registers .....	99
Table 47 - State of System Pins in Auto Powerdown .....	100
Table 48 - State of Floppy Disk Drive Interface Pins in Powerdown .....	100
Table 49 - I/O Address Map .....	106
Table 50 – Host Interface Flags .....	106
Table 51 - Status Register .....	108
Table 52 - Resets .....	109
Table 53 - General Purpose I/O Port Assignments .....	114
Table 54 - GPIO Configuration Summary .....	115
Table 55 – GPIO Read/Write Behavior .....	116
Table 56 - Different Modes for Fan .....	122
Table 57 - SMBus Write Byte Protocol .....	130
Table 58 - SMBus Read Byte Protocol .....	131
Table 59 - SMBus Send Byte Protocol .....	131
Table 60 - SMBus Receive Byte Protocol .....	131
Table 61 - Modified SMBus Receive Byte Protocol Response to ARA .....	132
Table 62 - Runtime Register Block Summary .....	139

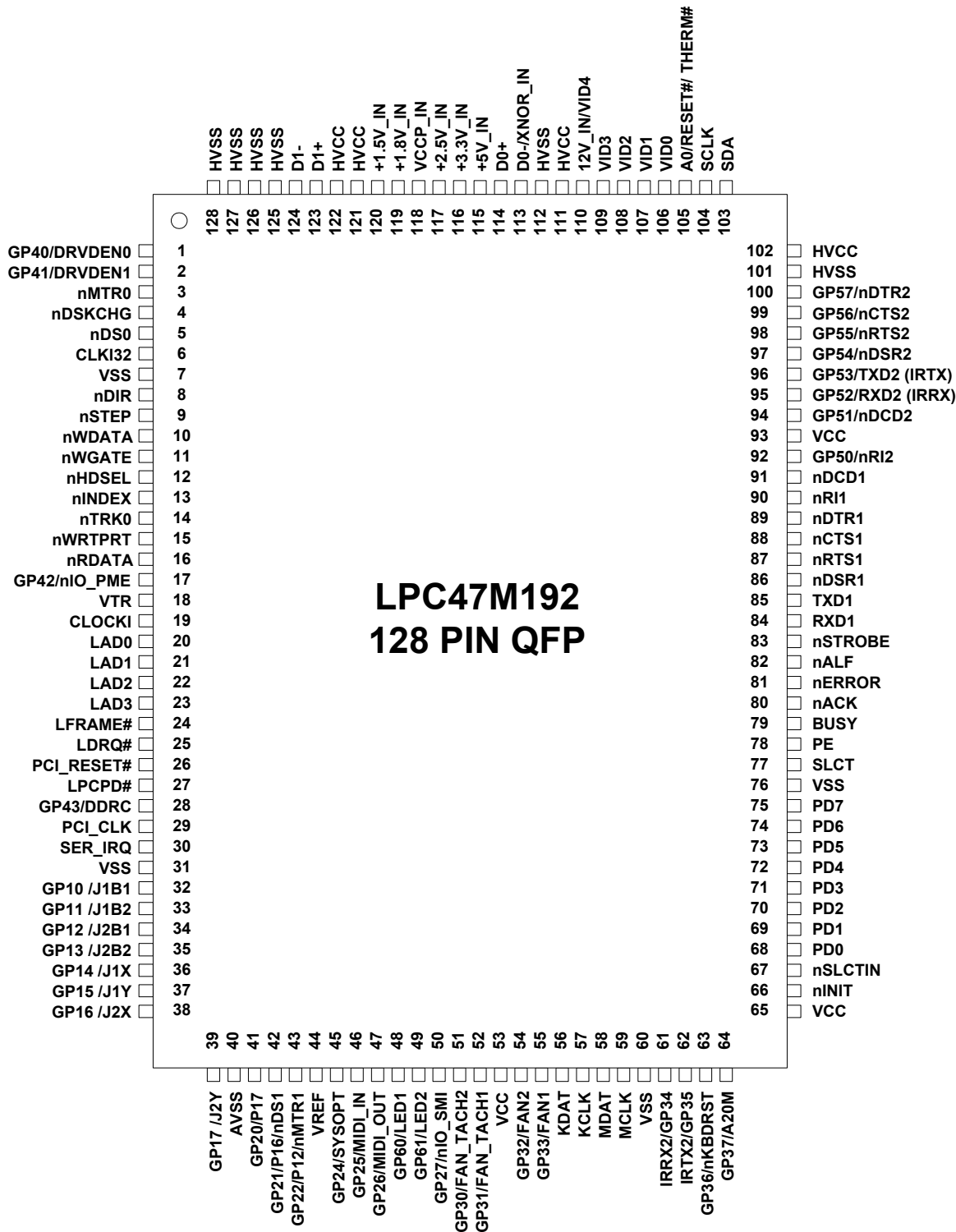
Table 63 - Runtime Register Block Description.....	142
Table 64 – LPC47M192 Configuration Registers Summary.....	168
Table 65 - Chip Level Registers .....	170
Table 66 - Logical Device Registers.....	173
Table 67 – I/O Base Address Configuration Register Description.....	175
Table 68 - Interrupt Select Configuration Register Description .....	176
Table 69 – DMA Channel Select Configuration Register Description.....	177
Table 70 - Floppy Disk Controller, Logical Device 0 [Logical Device Number = 0x00].....	178
Table 71 - Parallel Port, Logical Device 3 [Logical Device Number = 0x03].....	179
Table 72 - Serial Port 1, Logical Device 4 [Logical Device Number = 0x04] .....	180
Table 73 - Serial Port 2, Logical Device 5 [Logical Device Number = 0x05] .....	181
Table 74 - KYBD, Logical Device 7 [Logical Device Number = 0x07] .....	181
Table 75 - PME, Logical Device A [Logical Device Number = 0x0A] .....	183
Table 76 - MPU-401 [Logical Device Number = 0x0B].....	183
Table 77 – Thermal Diode Parameters .....	221
Table 78 – Analog-to-Digital Conversions for Hardware Monitoring Block.....	222



## FIGURES

FIGURE 1 – LPC47M192 BLOCK DIAGRAM .....	22
FIGURE 2 - MPU-401 MIDI INTERFACE .....	78
FIGURE 3 - MPU-401 INTERRUPT .....	81
FIGURE 4 - MIDI DATA BYTE EXAMPLE .....	82
FIGURE 5 - KEYBOARD LATCH .....	111
FIGURE 6 - MOUSE LATCH .....	111
FIGURE 7 - GPIO FUNCTION ILLUSTRATION .....	116
FIGURE 8 – FAN TACHOMETER INPUT AND CLOCK SOURCE .....	123
FIGURE 9 – CONCEPTUAL BLOCK DIAGRAM OF FAN MONITORING LOGIC .....	124
FIGURE 10 – SUGGESTED MINIMUM TRACK WIDTH AND SPACING .....	138
FIGURE 11 – USING A DIODE AS A REMOTE TEMPERATURE SENSING ELEMENT .....	138
FIGURE 12 - POWER-UP TIMING .....	198
FIGURE 13 - INPUT CLOCK TIMING .....	198
FIGURE 14 - PCI CLOCK TIMING .....	199
FIGURE 15 - RESET TIMING .....	199
FIGURE 16 - OUPUT TIMING MEASUREMENT CONDITIONS, LPC SIGNALS .....	200
FIGURE 17 - INPUT TIMING MEASUREMENT CONDITIONS, LPC SIGNALS .....	200
FIGURE 18 - I/O WRITE .....	200
FIGURE 19 - I/O READ .....	201
FIGURE 20 - DMA REQUEST ASSERTION THROUGH LDRQ# .....	201
FIGURE 21 - DMA WRITE (FIRST BYTE) .....	201
FIGURE 22 - DMA READ (FIRST BYTE) .....	201
FIGURE 23 - FLOPPY DISK DRIVE TIMING (AT MODE ONLY) .....	202
FIGURE 24 - EPP 1.9 DATA OR ADDRESS WRITE CYCLE .....	203
FIGURE 25 - EPP 1.9 DATA OR ADDRESS READ CYCLE .....	204
FIGURE 26 - EPP 1.7 DATA OR ADDRESS WRITE CYCLE .....	205
FIGURE 27 - EPP 1.7 DATA OR ADDRESS READ CYCLE .....	205
FIGURE 28 - PARALLEL PORT FIFO TIMING .....	207
FIGURE 29 - ECP PARALLEL PORT FORWARD TIMING .....	208
FIGURE 30 - ECP PARALLEL PORT REVERSE TIMING .....	209
FIGURE 31 - IRDA RECEIVE TIMING .....	210
FIGURE 32 - IRDA TRANSMIT TIMING .....	211
FIGURE 33 - AMPLITUDE SHIFT KEYED IR RECEIVE TIMING .....	212
FIGURE 34 - AMPLITUDE SHIFT KEYED IR TRANSMIT TIMING .....	213
FIGURE 35 - SETUP AND HOLD TIME .....	214
FIGURE 36 - SERIAL PORT DATA .....	214
FIGURE 37 - JOYSTICK POSITION SIGNAL .....	215
FIGURE 38 - JOYSTICK BUTTON SIGNAL .....	215
FIGURE 39 - KEYBOARD/MOUSE RECEIVE/SEND DATA TIMING .....	216
FIGURE 40 - MIDI DATA BYTE .....	217
FIGURE 41 - FAN OUTPUT TIMING .....	217
FIGURE 42 - FAN TACHOMETER INTPUT TIMING .....	217
FIGURE 43 - LED OUTPUT TIMING .....	218
FIGURE 44 – SMBUS TIMING .....	219
FIGURE 45 – 128 PIN QFP PACKAGE OUTLINE, 14x20x2.7 BODY, 3.2 MM FOOTPRINT .....	220
FIGURE 46 - XNOR-CHAIN TEST STRUCTURE .....	223

## 2 PIN LAYOUT



### 3 PIN CONFIGURATION

PIN #	NAME	PIN #	NAME	PIN #	NAME	PIN #	NAME
1	GP40/DRV_DEN0	33	GP11 /J1B2	65	VCC	97	GP54/nDSR2
2	GP41/DRV_DEN1	34	GP12 /J2B1	66	nINIT	98	GP55/nRTS2
3	nMTR0	35	GP13 /J2B2	67	nSLCTIN	99	GP56/nCTS2
4	nDSKCHG	36	GP14 /J1X	68	PD0	100	GP57/nDTR2
5	nDS0	37	GP15 /J1Y	69	PD1	101	HVSS
6	CLKI32	38	GP16 /J2X	70	PD2	102	HVCC
7	VSS	39	GP17 /J2Y	71	PD3	103	SDA
8	nDIR	40	AVSS	72	PD4	104	SCLK
9	nSTEP	41	GP20/P17	73	PD5	105	A0/RESET#/ THERM#/ XNOR_OUT
10	nWDATA	42	GP21/P16/nDS1	74	PD6	106	VID0
11	nWGATE	43	GP22/P12/nMTR1	75	PD7	107	VID1
12	nHDSSEL	44	VREF	76	VSS	108	VID2
13	nINDEX	45	GP24/SYSOPT	77	SLCT	109	VID3
14	nTRK0	46	GP25/MIDI_IN	78	PE	110	12V_IN/VID4
15	nWRTPRT	47	GP26/MIDI_OUT	79	BUSY	111	HVCC
16	nRDATA	48	GP60/LED1	80	nACK	112	HVSS
17	GP42/nIO_PME	49	GP61/LED2	81	nERROR	113	D0-/XNOR_IN
18	VTR	50	GP27/nIO_SMI	82	nALF	114	D0+
19	CLOCKI	51	GP30/FAN_TACH 2	83	nSTROBE	115	+5V_IN
20	LAD0	52	GP31/FAN_TACH 1	84	RXD1	116	+3.3V_IN
21	LAD1	53	VCC	85	TXD1	117	+2.5V_IN
22	LAD2	54	GP32/FAN2	86	nDSR1	118	V <sub>CCP</sub> _IN
23	LAD3	55	GP33/FAN1	87	nRTS1	119	+1.8V_IN
24	LFRAME#	56	KDAT	88	nCTS1	120	+1.5V_IN
25	LDRQ#	57	KCLK	89	nDTR1	121	HVCC
26	PCI_RESET#	58	MDAT	90	nRI1	122	HVCC
27	LPCPD#	59	MCLK	91	nDCD1	123	D1+
28	GP43/DDRC	60	VSS	92	GP50/nRI2	124	D1-
29	PCI_CLK	61	IRRX2/GP34	93	VCC	125	HVSS
30	SER_IRQ	62	IRTX2/GP35	94	GP51/nDCD2	126	HVSS
31	VSS	63	GP36/nKBDRST	95	GP52/RXD2 (IRRX)	127	HVSS
32	GP10 /J1B1	64	GP37/A20M	96	GP53/TXD2 (IRTX)	128	HVSS

## 4 DESCRIPTION OF PIN FUNCTIONS

QFP PIN#	NAME	DESCRIPTION	BUFFER NAME	PWR WELL	NOTES
<b>POWER PINS (10)</b>					
53, 65,93	VCC	+3.3 Volt Supply Voltage			1
18	VTR	+3.3 Volt Standby Supply Voltage			2
44	VREF	Reference Voltage			
7, 31, 60,76	VSS	Ground			1
40	AVSS	Analog Ground			
<b>CLOCKS (2)</b>					
6	CLOCKI32	32.768kHz Trickle Clock Input	IS	VTR	3
19	CLOCKI	14.318MHz Clock Input	IS	VCC	
<b>PROCESSOR/HOST LPC INTERFACE (10)</b>					
23:20	LAD[3:0]	Active high LPC I/O used for multiplexed command, address and data bus.	PCI_IO	VCC	
24	LFRAME#	Active low input indicates start of new cycle and termination of broken cycle.	PCI_I	VCC	
25	LDRQ#	Active low output used for encoded DMA/Bus Master request for the LPC interface.	PCI_O	VCC	
26	PCI_RESET#	Active low input used as LPC Interface Reset.	PCI_I	VCC	
27	LPCPD#	Active low input Power Down signal indicates that the LPC47M192 should prepare for power to be shut-off on the LPC interface.	PCI_I	VCC	4
29	PCI_CLK	PCI clock input.	PCI_ICLK	VCC	
30	SER_IRQ	Serial IRQ pin used with the PCI_CLK pin to transfer LPC47M192 interrupts to the host.	PCI_IO	VCC	
<b>FAN CONTROL (4)</b>					
51	GP30/ FAN_TACH2	General Purpose I/O. GPIO can be configured as an Open-Drain Output. /Fan Tachometer 2 Input	IO8	VCC	5
52	GP31/ FAN_TACH1	General Purpose I/O. GPIO can be configured as an Open-Drain Output. /Fan Tachometer 1 Input	IO8	VCC	5
54	GP32/ FAN2	General Purpose I/O /Fan Speed Control 2 Output Both functions can be configured as Open-Drain Output.	IO12	VCC	5, 6
55	GP33/ FAN1	General Purpose I/O /Fan Speed Control 1 Output Both functions can be configured as Open-Drain Output.	IO12	VCC	5, 6
<b>FDD INTERFACE (14)</b>					
16	nRDATA	Raw serial bit stream from the disk drive, low active. Each falling edge represents a flux transition of the encoded data.	IS	VCC	
11	nWGATE	Write Gate Output. This active low high current driver allows current to flow through the write head. It becomes active just prior to writing to the diskette. Can be configured as an Open-Drain Output.	O12	VCC	

QFP PIN#	NAME	DESCRIPTION	BUFFER NAME	PWR WELL	NOTES
10	nWDATA	Write Disk Data Output. This active low high current driver provides the encoded data to the disk drive. Each falling edge causes a flux transition on the media. Can be configured as an Open-Drain Output.	O12	VCC	
12	nHDSEL	Head Select Output. This high current output selects the floppy disk side for reading or writing. A logic "1" on this pin means side 0 will be accessed, while a logic "0" means side 1 will be accessed. Can be configured as an Open-Drain Output.	O12	VCC	
8	nDIR	Step Direction Output. This high current low active output determines the direction of the head movement. A logic "1" on this pin means outward motion, while a logic "0" means inward motion. Can be configured as an Open-Drain Output.	O12	VCC	
9	nSTEP	Step Pulse Output. This active low high current driver issues a low pulse for each track-to-track movement of the head. Can be configured as an Open-Drain Output.	O12	VCC	
4	nDSKCHG	This input senses that the drive door is open or that the diskette has possibly been changed since the last drive selection. This input is inverted and read via bit 7 of I/O address 3F7H. The nDSKCHG bit also depends upon the state of the Force Disk Change bits in the Force Disk Change register (see Runtime Registers section).	IS	VCC	
5	nDS0	Drive Select 0 Output. Can be configured as an Open-Drain Output.	O12	VCC	
3	nMTR0	Motor On 0 Output. Can be configured as an Open-Drain Output.	O12	VCC	
15	nWRTPRT	This active low Schmitt Trigger input senses from the disk drive that a disk is write protected. Any write command is ignored. The nWRPRT bit also depends upon the state of the Force Write Protect bit in the FDD Option register (see the Configuration Registers section).	IS	VCC	
14	nTRK0	This active low Schmitt Trigger input senses from the disk drive that the head is positioned over the outermost track.	IS	VCC	
13	nINDEX	This active low Schmitt Trigger input senses from the disk drive that the head is positioned over the beginning of a track, as marked by an index hole.	IS	VCC	
1	GP40/ DRV DEN0	General Purpose I/O Drive Density Select 0 Output. Indicates the drive and media selected. Both functions can be configured as Open-Drain Output.	IO12	VCC	
2	GP41/ DRV DEN1	General Purpose I/O Drive Density Select 1 Output. Indicates the drive and media selected. Both functions can be configured as Open-Drain Output.	IO12	VCC	5

QFP PIN#	NAME	DESCRIPTION	BUFFER NAME	PWR WELL	NOTES
<b>SERIAL PORT 1 INTERFACE (8)</b>					
84	RXD1	Receiver serial data input for port 1.	IS	VCC	
85	TXD1	Transmit serial data output for port 1.	O12	VCC	
87	nRTS1	Active low Request to Send outputs for the Serial Port. Handshake output signal notifies modem that the UART is ready to transmit data. This signal can be programmed by writing to bit 1 of the Modem Control Register (MCR). The hardware reset will reset the nRTS signal to inactive mode (high). nRTS is forced inactive during loop mode operation.	O8	VCC	
88	nCTS1	Active low Clear to Send inputs for the serial port. Handshake signal which notifies the UART that the modem is ready to receive data. The CPU can monitor the status of nCTS signal by reading bit 4 of Modem Status Register (MSR). A nCTS signal state change from low to high after the last MSR read will set MSR bit 0 to a 1. If bit 3 of the Interrupt Enable Register is set, the interrupt is generated when nCTS changes state. The nCTS signal has no effect on the transmitter. Note: Bit 4 of MSR is the complement of nCTS.	I	VCC	
89	nDTR1	Active low Data Terminal Ready outputs for the serial port. Handshake output signal notifies modem that the UART is ready to establish data communication link. This signal can be programmed by writing to bit 0 of Modem Control Register (MCR). The hardware reset will reset the nDTR signal to inactive mode (high). nDTR is forced inactive during loop mode operation.	O6	VCC	
86	nDSR1	Active low Data Set Ready input for the serial port. Handshake signal which notifies the UART that the modem is ready to establish the communication link. The CPU can monitor the status of nDSR signal by reading bit 5 of Modem Status Register (MSR). A nDSR signal state change from low to high after the last MSR read will set MSR bit 1 to a 1. If bit 3 of Interrupt Enable Register is set, the interrupt is generated when nDSR changes state. Note: Bit 5 of MSR is the complement of nDSR.	I	VCC	

QFP PIN#	NAME	DESCRIPTION	BUFFER NAME	PWR WELL	NOTES
91	nDCD1	Active low Data Carrier Detect inputs for the serial port. Handshake signal which notifies the UART that carrier signal is detected by the modem. The CPU can monitor the status of nDCD signal by reading bit 7 of Modem Status Register (MSR). A nDCD signal state change from low to high after the last MSR read will set MSR bit 3 to a 1. If bit 3 of Interrupt Enable Register is set, the interrupt is generated when nDCD changes state. Note: Bit 7 of MSR is the complement of nDCD.	I	VCC	
90	nRI1	Active low Ring Indicator inputs for the serial port. Handshake signal which notifies the UART that the telephone ring signal is detected by the modem. The CPU can monitor the status of nRI signal by reading bit 6 of Modem Status Register (MSR). A nRI signal state change from low to high after the last MSR read will set MSR bit 2 to a 1. If bit 3 of Interrupt Enable Register is set, the interrupt is generated when nRI changes state. Note: Bit 6 of MSR is the complement of nRI.	I	VCC	5
<b>INFRARED INTERFACE (2)</b>					
61	IRRX2/ GP34	Infrared Receive Input /General Purpose I/O. GPIO can be configured as an Open-Drain Output.	IS/O8	VCC	
62	IRTX2/ GP35	Infrared Transmit Output /General Purpose I/O. GPIO can be configured as an Open-Drain Output.	IO12	VTR	7, 8, 9
<b>SERIAL PORT 2 INTERFACE (8)</b>					
95	GP52/  RXD2  (IRRX)	General Purpose I/O. GPIO can be configured as an Open-Drain Output. Receive Serial Data 2 Input. See RXD1 pin description above Infrared Receive Input	IS/O8	VCC	5
96	GP53/  TXD2  (IRTX)	General Purpose I/O. GPIO can be configured as an Open-Drain Output. Transmit Serial Data 2 Output. See TXD1 pin description above. Infrared Transmit Output	IO12	VTR	5, 7, 8
98	GP55/  nRTS2	General Purpose I/O. GPIO can be configured as an Open-Drain Output. Request to Send 2 Output. See nRTS1 pin description above.	IO8	VCC	5
99	GP56/  nCTS2	General Purpose I/O. GPIO can be configured as an Open-Drain Output. Clear to Send 2 Input. See nCTS1 pin description above.	IO8	VCC	5
100	GP57/  nDTR2	General Purpose I/O. GPIO can be configured as an Open-Drain Output. Data Terminal Ready Output. See nDTR1 pin description above.	IO8	VCC	5

QFP PIN#	NAME	DESCRIPTION	BUFFER NAME	PWR WELL	NOTES
97	GP54/ nDSR2	General Purpose I/O. GPIO can be configured as an Open-Drain Output. Data Set Ready 2 Input. See nDSR1 pin description above.	IO8	VCC	5
94	GP51/ nDCD2	General Purpose I/O. GPIO can be configured as an Open-Drain Output. Data Carrier Detect 2 Input. See nDCD1 pin description above.	IO8	VCC	5
92	GP50/ nRI2	General Purpose I/O. GPIO can be configured as an Open-Drain Output. Ring Indicator 2 Input. See nRI1 pin description above.	IO8	VCC	5
<b>PARALLEL PORT INTERFACE (17)</b>					
66	nINIT	This output is bit 2 of the printer control register. This is used to initiate the printer when low. Refer to Parallel Port description for use of this pin in ECP and EPP mode. Can be configured as an Open-Drain Output.	OP14	VCC	
67	nSLCTIN	This active low output selects the printer. This is the complement of bit 3 of the Printer Control Register. Refer to Parallel Port description for use of this pin in ECP and EPP mode. Can be Configured as an Open-Drain Output.	OP14	VCC	
68	PD0	Port Data 0 I/O	IOP14	VCC	
69	PD1	Port Data 1 I/O	IOP14	VCC	
70	PD2	Port Data 2 I/O	IOP14	VCC	
71	PD3	Port Data 3 I/O	IOP14	VCC	
72	PD4	Port Data 4 I/O	IOP14	VCC	
73	PD5	Port Data 5 I/O	IOP14	VCC	
74	PD6	Port Data 6 I/O	IOP14	VCC	
75	PD7	Port Data 7 I/O	IOP14	VCC	
77	SLCT	This high active input from the printer indicates that it has power on. Bit 4 of the Printer Status Register reads the SLCT input. Refer to Parallel Port description for use of this pin in ECP and EPP mode.	I	VCC	
78	PE	Another status input from the printer, a high indicating that the printer is out of paper. Bit 5 of the Printer Status Register reads the PE input. Refer to Parallel Port description for use of this pin in ECP and EPP mode.	I	VCC	
79	BUSY	This is a status input from the printer, a high indicating that the printer is not ready to receive new data. Bit 7 of the Printer Status Register is the complement of the BUSY input. Refer to Parallel Port description for use of this pin in ECP and EPP mode.	I	VCC	
80	nACK	A low active input from the printer indicating that it has received the data and is ready to accept new data. Bit 6 of the Printer Status Register reads the nACK input. Refer to Parallel Port description for use of this pin in ECP and EPP mode.	I	VCC	



QFP PIN#	NAME	DESCRIPTION	BUFFER NAME	PWR WELL	NOTES
81	nERROR	A low on this input from the printer indicates that there is a error condition at the printer. Bit 3 of the Printer Status register reads the nERR input. Refer to Parallel Port description for use of this pin in ECP and EPP mode.	I	VCC	
82	nALF	This output goes low to cause the printer to automatically feed one line after each line is printed. The nALF output is the complement of bit 1 of the Printer Control Register. Refer to Parallel Port description for use of this pin in ECP and EPP mode. Can be configured as an Open-Drain Output.	OP14	VCC	
83	nSTROBE	An active low pulse on this output is used to strobe the printer data into the printer. The nSTROBE output is the complement of bit 0 of the Printer Control Register. Refer to Parallel Port description for use of this pin in ECP and EPP mode. Can be configured as an Open-Drain Output.	OP14	VCC	
<b>KEYBOARD/MOUSE INTERFACE (6)</b>					
56	KDAT	Keyboard Data I/O	IOD16	VCC	5
57	KCLK	Keyboard Clock I/O	IOD16	VCC	
58	MDAT	Mouse Data I/O	IOD16	VCC	5
59	MCLK	Mouse Clock I/O	IOD16	VCC	
63	GP36/ nKBDRST	General Purpose I/O. GPIO can be configured as an Open-Drain Output. Keyboard Reset Open-Drain Output	IO8	VCC	10
64	GP37/ A20M	General Purpose I/O. GPIO can be configured as an Open-Drain Output. Gate A20 Open-Drain Output	IO8	VCC	10
<b>GAME PORT (8)</b>					
32	GP10/ J1B1	General Purpose I/O. GPIO can be configured as an Open-Drain Output. Joystick 1 Button 1 Input	IS/O8	VCC	5
33	GP11/ J1B2	General Purpose I/O. GPIO can be configured as an Open-Drain Output Joystick 1 Button 2 Input	IS/O8	VCC	5
34	GP12/ J2B1	General Purpose I/O. GPIO can be configured as an Open-Drain Output Joystick 2 Button 1 Input	IS/O8	VCC	5
35	GP13 J2B2	General Purpose I/O. GPIO can be configured as an Open-Drain Output Joystick 2 Button 2 Input	IS/O8	VCC	5
36	GP14/ J1X	General Purpose I/O. GPIO can be configured as an Open-Drain Output Joystick 1 X-Axis I/O	IO12	VCC	5
37	GP15/ J1Y	General Purpose I/O. GPIO can be configured as an Open-Drain Output Joystick 1 Y-Axis I/O	IO12	VCC	5
38	GP16/ J2X	General Purpose I/O. GPIO can be configured as an Open-Drain Output Joystick 2 X-Axis I/O	IO12	VCC	5

QFP PIN#	NAME	DESCRIPTION	BUFFER NAME	PWR WELL	NOTES
39	GP17/ J2Y	General Purpose I/O. GPIO can be configured as an Open-Drain Output Joystick 2 Y-Axis I/O	IO12	VCC	5
<b>GENERAL PURPOSE I/O (11)</b>					
17	GP42/ nIO_PME	General Purpose I/O. Power Management Event Output. This active low Power Management Event signal allows the LPC47M192 to request wakeup. Both functions can be configured as an Open-Drain Output.	IO12	VTR	9
28	GP43/ DDRC	General Purpose I/O. GPIO can be configured as an Open-Drain Output. Device Disable Reg. Control Input	IO8	VCC	5
41	GP20/ P17	General Purpose I/O 8042 P17 I/O Both functions can be configured as Open-Drain Output	IO8	VCC	5
42	GP21/ P16/ nDS1	General Purpose I/O 8042 P16 I/O Drive Select 1 Output All three functions can be configured as Open-Drain Output.	IO12	VCC	5
43	GP22/ P12/ nMTR1	General Purpose I/O 8042 P12 I/O Motor on 1 Output All three functions can be configured as Open-Drain Output.	IO12	VCC	5
45	GP24  (SYSOPT)	General Purpose I/O. GPIO can be configured as an Open-Drain Output. System Option. At the trailing edge of PCI reset or VCC POR this pin is latched to determine the configuration base address: 0 = Index Base I/O Address 02E Hex; 1 = Index Base I/O Address 04E Hex.	IO8	VCC	5, 11
46	GP25/ MIDI_IN	General Purpose I/O. GPIO can be configured as an Open-Drain Output. MPU-401 MIDI Input	IO8	VCC	5
47	GP26/ MIDI_OUT	General Purpose I/O. GPIO can be configured as an Open-Drain Output. MPU-401 MIDI Output	IO12	VCC	5
48	GP60/ LED1	General Purpose I/O. GPIO can be configured as an Open-Drain Output. LED 1 Output	IO12	VTR	5, 12,
49	GP61 LED2	General Purpose I/O. GPIO can be configured as an Open-Drain Output. LED 2 Output	IO12	VTR	5, 12,
50	GP27/ nIO_SMI	General Purpose I/O Active low System Management Interrupt Output Both functions can be configured as an Open-Drain Output.	IO12	VCC	5

QFP PIN#	NAME	DESCRIPTION	BUFFER NAME	PWR WELL	NOTES
<b>HARDWARE MONITORING BLOCK (28)</b>					
102, 111, 121, 122	HVCC	+3.3V VCC pin dedicated to the Hardware Monitoring block. Can be powered by +3.3V Standby power if monitoring in low power states is required.			1
101, 112, 125, 126, 127, 128	HVSS	Analog Ground. Internally connected to all of the Hardware Monitoring Block circuitry.			1
103	SDA	System Management Bus bi-directional Data. Open Drain output.	I <sub>M</sub> OD3	HVCC	
104	SCLK	System Management Bus Clock.	I <sub>M</sub>	HVCC	
105	A0/  RESET#/ THERM#/  XNOR_OUT	The lowest order programmable bit of the SMBus Address Input.  Minimum 20msec low Reset output pulse Interrupt output for temperature and voltage interrupts.  XNOR-Chain test mode Output The RESET# and THERM# are Open-Drain Outputs	I <sub>M</sub> O3	HVCC	
106	VID0	Voltage ID 0 Input	I <sub>M</sub>	HVCC	
107	VID1	Voltage ID 1 Input	I <sub>M</sub>	HVCC	
108	VID2	Voltage ID 2 Input	I <sub>M</sub>	HVCC	
109	VID3	Voltage ID 3 Input	I <sub>M</sub>	HVCC	
110	12V_IN/ VID4	Defaults to Analog Input for +12V. Optionally, can be configured to read the VID4 Digital Input, a voltage supply readout from the processor. This value is read in the VID4 Register.	I <sub>ANG</sub> /I <sub>M</sub>	HVCC	
115	+5V_IN	Analog input for +5V	I <sub>ANG</sub>		
116	+3.3V_IN	Analog input for +3.3V	I <sub>ANG</sub>		
117	+2.5V_IN	Analog input for +2.5V	I <sub>ANG</sub>		
118	Vccp_IN	Analog input for +Vccp (processor voltage: 0 to 3.0V).	I <sub>ANG</sub>		
119	+1.8V_IN	Analog input for +1.8V	I <sub>ANG</sub>		
120	+1.5V_IN	Analog Input for +1.5V	I <sub>ANG</sub>		
113	D0-/  XNOR_IN	This is the negative Analog input (current sink) from the remote thermal diode. This serves as the negative input into the A/D. Digital Input. If held high at power-up, initiates XNOR chain test mode.	I <sub>ANG</sub> /I <sub>M</sub>	HVCC	
114	D0+	This is the positive input (current source) from the remote thermal diode. This serves as the positive input into the A/D.	I <sub>ANG</sub>	HVCC	
123	D1+	See D0+ description.	I <sub>ANG</sub>	HVCC	
124	D1-	See D0- negative analog input description.	I <sub>ANG</sub>	HVCC	

**Note:** The “n” as the first letter of a signal name or the “#” as the suffix of a signal name indicates an “Active Low” signal.

**Note 1:** VCC and VSS pins are for Super I/O Blocks. HVCC and HVSS are dedicated for the Hardware Monitoring Block.

**Note 2:** VTR can be connected to VCC if no wakeup functionality is required.

**Note 3:** If the 32kHz input clock is not used the CLKI32 pin must be grounded. There is a bit in the configuration register at 0xF0 in Logical Device A that indicates whether or not the 32KHz clock is connected. This bit determines the clock source for the fan tachometer, LED and “wake on specific key” logic. Set this bit to ‘1’ if the clock is not connected.

- Note 4:** The LPCPD# pin may be tied high. The LPC interface will function properly if the PCI\_RESET# signal follows the protocol defined for the LRESET# signal in the “Low Pin Count Interface Specification”.
- Note 5:** These pins are inputs to VCC and VTR powered logic.
- Note 6:** The fan control pins (FAN1 and FAN2) come up as outputs and low following a VCC POR and PCI Reset.
- Note 7:** The IRTX pins (IRTX2/GP35 and GP53/TXD2(IRTX)) are driven low when the part is powered by VTR (VCC=0V with VTR=3.3V). These pins will remain low following a power-up (VCC POR) until serial port 2 is enabled by setting the activate bit, at which time the pin will reflect the state of the transmit output of the Serial Port 2 block.
- Note 8:** The VCC power-up default for this pin is Logic “0” if the IRTX function is programmed on the GPIO.
- Note 9:** These pins are inputs to VCC powered logic.
- Note 10:** External pullups must be placed on the nKBDRST and A20M pins. These pins are GPIOs that are inputs after an initial power-up (VTR POR). If the nKBDRST and A20M functions are to be used, the system must ensure that these pins are high. See Section “Pins That Require External Pullup Resistor”.
- Note 11:** The GP24 /SYSOPT pin requires an external pulldown resistor to put the base IO address for configuration at 0x02E. An external pullup resistor is required to move the base IO address for configuration to 0x04E.
- Note 12:** The LED pins are powered by VTR so that the LEDs can be controlled when the part is under VTR power.

## 4.1 Buffer Name Descriptions

**Note:** The buffer type values are specified at VCC=3.3V

I	Input TTL Compatible - Super I/O Block.
I <sub>M</sub>	Input - Hardware Monitoring Block.
I <sub>ANG</sub>	Analog Input, Hardware Monitoring Block.
IS	Input with Schmitt Trigger.
I <sub>M</sub> OD3	Input/Output (Open Drain), 3mA sink.
I <sub>M</sub> O3	Input/Output, 3mA sink, 3mA source.
O6	Output, 6mA sink, 3mA source.
O8	Output, 8mA sink, 4mA source.
OD8	Open Drain Output, 8mA sink.
IO8	Input/Output, 8mA sink, 4mA source.
IS/O8	Input with Schmitt Trigger/Output, 8mA sink, 4mA source.
O12	Output, 12mA sink, 6mA source.
OD12	Open Drain Output, 12mA sink.
IO12	Input/Output, 12mA sink, 6mA source.
OD14	Open Drain Output, 14mA sink.
OP14	Output, 14mA sink, 14mA source.
IOP14	Input/Output, 14mA sink, 14mA source. Backdrive protected.
IOD16	Input/Output (Open Drain), 16mA sink.
PCI_IO	Input/Output. These pins must meet the PCI 3.3V AC and DC Characteristics. (Note 1)
PCI_O	Output. These pins must meet the PCI 3.3V AC and DC Characteristics. (Note 1)
PCI_I	Input. These pins must meet the PCI 3.3V AC and DC Characteristics. (Note 1)
PCI_ICLK	Clock Input. These pins must meet the PCI 3.3V AC and DC Characteristics and timing. (Note 2)

**Note 1:** See the “PCI Local Bus Specification,” Revision 2.1, Section 4.2.2.

**Note 2:** See the “PCI Local Bus Specification,” Revision 2.1, Section 4.2.2 and 4.2.3.

## 4.2 Pins That Require External Pullup Resistors

### 4.2.1 SUPER I/O PINS

The following pins require external pullup resistors:

- KDAT
- KCLK
- MDAT
- MCLK
- GP36/KBDRST if KBDRST function is used
- GP37/A20M if A20M function is used
- GP20/P17 If P17 function is used as an Open Drain Output

- GP21/P16/nDS1 if P16 or nDS1 function is used as Open Drain Output
- GP22/P12/nMTR1 if P12 or nMTR1 function is used as Open Drain Output
- GP27/nIO\_SMI if nIO\_SMI function is used
- GP42/nIO\_PME if nIO\_PME function is used
- SER\_IRQ
- GP40/DRV DEN0 if DRV DEN0 function is used as an Open Drain.
- GP41/DRV DEN1 if DRV DEN1 function is used as an Open Drain.
- nMTR0 if used as an Open Drain Output
- nDS0 if used as an Open Drain Output
- nDIR if used as an Open Drain Output
- nSTEP if used as an Open Drain Output
- nWDATA if used as an Open Drain Output
- nWGATE if used as an Open Drain Output
- nHDSEL if used as an Open Drain Output
- nINDEX
- nTRK0
- nWRTPRT
- nRDATA
- nDSKCHG
- GPIOs

#### 4.2.2 HARDWARE MONITORING BLOCK PINS

The following pins require external pullup resistors to 3.3V only:

- SCLK
- SDA
- A0/RESET#/THERM#/XNOR\_OUT if the RESET# or THERM# function is used. This limits the SMBus address to 0101101 (unless external circuitry is provided). See section 7.18.2 SMBus Interface.
- VID0-VID3
- 12V\_IN/VID4 if VID4 function is used.

## 5 BLOCK DIAGRAM

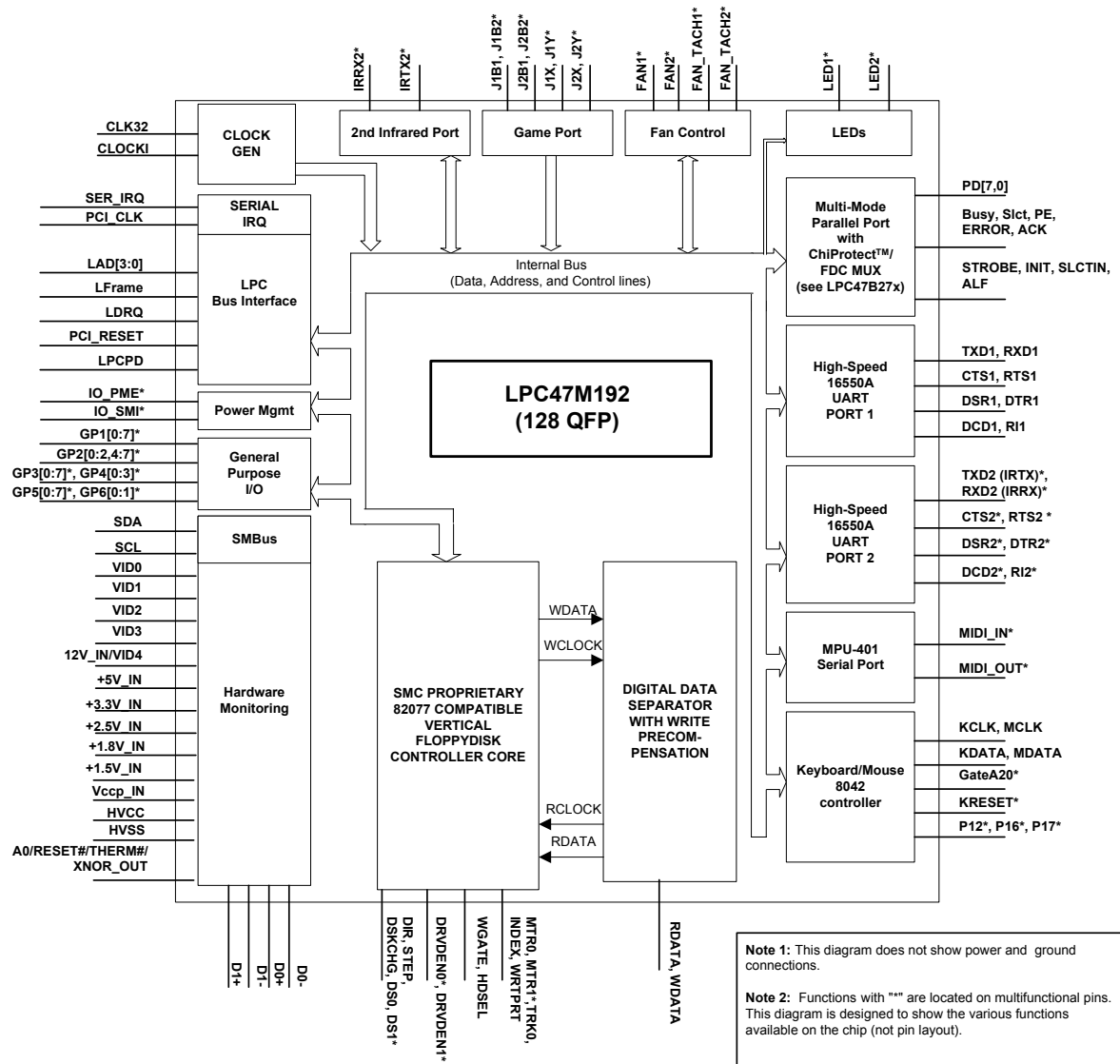


FIGURE 1 – LPC47M192 BLOCK DIAGRAM

## 6 POWER FUNCTIONALITY

The LPC47M192 has four power planes: VCC, HVCC, VREF, and VTR.

### 6.1 VCC/HVCC Power

The LPC47M192 is a 3.3 Volt part. The VCC/HVCC supply is 3.3 Volts (nominal). VCC is supply for Super I/O Block, and HVCC is supply for the Hardware Monitoring Block. See the “Operational Description” Section and the “Maximum Current Values” subsection.

#### 6.1.1 3 VOLT OPERATION / 5 VOLT TOLERANCE

The LPC47M192 is a 3.3-Volt part. It is intended solely for 3.3V applications. Non-LPC bus pins are 5V tolerant; that is, the operating input voltage is 5.5V Max, and the I/O buffer output pads are backdrive protected (they do not impose a load on any external VCC/HVCC powered circuitry). The 5V tolerant pins are applicable to the Super I/O Block only.

The LPC interface pins are 3.3 V only. These signals meet PCI DC specifications for 3.3V signaling. These pins are:

- LAD[3:0]
- LFRAME#
- LDRQ#
- LPCPD#

The input voltage for all other pins is 5.5V max. These pins include all non-LPC Bus pins and the following pins in the Super I/O Block:

- PCI\_RESET#
- PCI\_CLK
- SER\_IRQ
- IO\_PME#

The Hardware Monitoring Block digital pins are 3.3V only.

### 6.2 VREF Pin

The LPC47M192 has a reference voltage pin input on pin 44 of the part. This reference voltage can be connected to either a 5V supply or a 3.3V supply. It is used for the game port. See the “GAME PORT LOGIC” section.

### 6.3 VTR Support

The LPC47M192 requires a trickle supply ( $V_{TR}$ ) to provide sleep current for the programmable wake-up events in the PME interface when  $V_{CC}$  is removed. The VTR supply is 3.3 Volts (nominal). See the Operational Description Section. The maximum VTR current that is required depends on the functions that are used in the part. See Trickle Power Functionality subsection and Maximum Current Values subsection. If the LPC47M192 is not intended to provide wake-up capabilities on standby current,  $V_{TR}$  can be connected to  $V_{CC}$ .  $V_{TR}$  powers the IR interface, the PME configuration registers, and the PME interface. The  $V_{TR}$  pin generates a  $V_{TR}$  Power-on-Reset signal to initialize these components.

**Note:** If  $V_{TR}$  is to be used for programmable wake-up events when  $V_{CC}$  is removed,  $V_{TR}$  must be at its full minimum potential at least 10  $\mu$ s before  $V_{CC}$  begins a power-on cycle. When  $V_{TR}$  and  $V_{CC}$  are fully powered, the potential difference between the two supplies must not exceed 500mV.

#### 6.3.1 TRICKLE POWER FUNCTIONALITY

When the LPC47M192 is running under VTR only (VCC removed), PME wakeup events are active and (if enabled) able to assert the nIO\_PME pin active low. The following lists the wakeup events:

- UART 1 Ring Indicator
- UART 2 Ring Indicator
- Keyboard data
- Mouse data
- “Wake on Specific Key” Logic

- Fan Tachometers (Note)
- GPIOs for wakeup. See below.

**Note:** The Fan Tachometers can generate a PME when VCC=0. Clear the enable bits for the fan tachometers before removing fan power.

The following requirements apply to all I/O pins that are specified to be 5 volt tolerant.

- I/O buffers that are wake-up event compatible are powered by VCC. Under VTR power (VCC=0), these pins may only be configured as inputs. These pins have input buffers into the wakeup logic that are powered by VTR.
- I/O buffers that may be configured as either push-pull or open drain under VTR power (VCC=0), are powered by VTR. This means, at a minimum, they will source their specified current from VTR even when VCC is present.

The GPIOs that are used for PME wakeup as input are GP10-GP17, GP20-GP22, GP24-GP27, GP30-GP33, GP41, GP43, GP50-GP57, GP60, GP61. These GPIOs function as follows (with the exception of GP53, GP60 and GP61 - see below):

- Buffers are powered by VCC, but in the absence of VCC they are backdrive protected (they do not impose a load on any external VTR powered circuitry). They are wakeup compatible as inputs under VTR power. These pins have input buffers into the wakeup logic that are powered by VTR.

All GPIOs listed above are for PME wakeup as a GPIO (or alternate function). Note that GP32 and GP33 cannot be used for wakeup under VTR power (VCC=0) since these are the fan control pins which come up as outputs and low following a VCC POR and PCI Reset. GP53 cannot be used for wakeup under VTR power since this is the IRTX pin which comes up as output and low following a VTR POR, a VCC POR and PCI Reset. GP43 reverts to the basic GPIO function when VCC is removed from the part, but its programmed input/output, invert/non-invert and output buffer type is retained.

The other GPIOs function as follows:  
GP34, GP36, GP37 and GP40:

- Buffers are powered by VCC. In the absence of VCC they are backdrive protected. These pins do not have input buffers into the wakeup logic that are powered by VTR, and are not used for wakeup.

GP35, GP42, GP53, GP60 and GP61:

- Buffers powered by VTR. GP35 and GP53 have IRTX as the alternate function and their output buffers are powered by VTR so that the pins are always forced low when not used. GP35 and GP53 cannot be used for wakeup. GP42 is the nIO\_PME pin which is active under VTR. GP60 and GP61 have LED as the alternate function and the logic is able to control the pin under VTR.

The IRTX pins (IRTX2/GP35 and GP53/TXD2(IRTX)) are powered by VTR so that they are driven low when VCC = 0V with VTR = 3.3V. These pins will remain low following a VCC POR until serial port 2 is enabled by setting the activate bit, at which time the pin will reflect the state of the transmit output of the Serial Port 2 block.

The following list summarizes the blocks, registers and pins that are powered by VTR:

- PME interface block
- PME runtime register block (includes all PME, SMI, GPIO, Fan and other miscellaneous registers)
- "Wake on Specific Key" logic
- LED control logic
- Fan Tachometers
- Pins for PME Wakeup:
  - GP42/nIO\_PME (output, buffer powered by VTR)
  - nRI1 (input)
  - GP50/nRI2 (input)
  - KDAT (input)
  - MDAT (input)
  - GPIOs (GP10-GP17, GP20-GP22, GP24-GP27, GP30-GP33, GP41, GP43, GP50-GP57, GP60, GP61) – all input-only except GP53, GP60, GP61. See below.



- Other Pins:
  - IRTX2/GP35 (output, buffer powered by VTR)
  - GP53/TXD2(IRTX) (output, buffer powered by VTR)
  - GP60/LED1 (output, buffer powered by VTR)
  - GP61/LED2 (output, buffer powered by VTR)

## 6.4 32.768 kHz Trickle Clock Input

The LPC47M192 utilizes a 32.768 kHz trickle input to supply a clock signal for the fan tachometer logic, LED blink and wake on specific key function.

### 6.4.1 INDICATION OF 32KHZ CLOCK

There is a bit to indicate whether or not the 32kHz clock input is connected to the LPC47M192. This bit is located at bit 0 of the CLOCKI32 register at 0xF0 in Logical Device A. This register is powered by VTR and reset on a VTR POR.

Bit[0] (CLK32\_PRSN) is defined as follows:

0=32kHz clock is connected to the CLKI32 pin (default)  
 1=32kHz clock is not connected to the CLKI32 pin (pin is grounded).

Bit 0 controls the source of the 32kHz (nominal) clock for the fan tachometer logic, the LED blink logic and the “wake on specific key” logic. When the external 32kHz clock is connected, that will be the source for the fan tachometer, LED and “wake on specific key” logic. When the external 32kHz clock is not connected, an internal 32kHz clock source will be derived from the 14MHz clock for the fan tachometer, LED and “wake on specific key” logic.

The following functions will not work under VTR power (VCC removed) if the external 32kHz clock is not connected. These functions will work under VCC power even if the external 32 kHz clock is not connected.

- Fan Tachometer
- Wake on specific key
- LED blink

## 6.5 Internal PWRGOOD

An internal PWRGOOD logical control is included to minimize the effects of pin-state uncertainty in the host interface as  $V_{CC}$  cycles on and off. When the internal PWRGOOD signal is “1” (active),  $V_{CC} > 2.3V$  (nominal), and the LPC47M192 host interface is active. When the internal PWRGOOD signal is “0” (inactive),  $V_{CC} \leq 2.3V$  (nominal), and the LPC47M192 host interface is inactive; that is, LPC bus reads and writes will not be decoded.

The LPC47M192 device pins IO\_PME#, CLOCKI32, KDAT, MDAT, nRI1, nRI2, RXD2 and most GPIOs (as input) are part of the PME interface and remain active when the internal PWRGOOD signal has gone inactive, provided  $V_{TR}$  is powered. The IRTX2/GP35, GP53/TXD2(IRTX), GP60/LED1 and GP61/LED2 pins also remain active when the internal PWRGOOD signal has gone inactive, provided  $V_{TR}$  is powered. See Trickle Power Functionality section. The internal PWRGOOD signal is also used to disable the IR Half Duplex Timeout.

## 6.6 Maximum Current Values

See the “Operational Description” section for the maximum current values.

### 6.6.1 SUPER I/O FUNCTIONS

The maximum VTR current,  $I_{TR}$ , is given with all outputs open (not loaded), and all inputs transitioning from/to 0V to/from 3.3V. The total maximum current for the part is the unloaded value PLUS the maximum current sourced by the pin that is driven by VTR. The pins that are powered by VTR are as follows: GP42/nIO\_PME, IRTX2/GP35, GP53/TXD2(IRTX), GP60/LED1, GP61/LED2, and CLKI32. These pins, if configured as push-pull outputs, will source a minimum of 6mA at 2.4V when driving.

The maximum VCC current,  $I_{CC}$ , is given with all outputs open (not loaded) and all inputs transitioning from/to 0V to/from 3.3V.

## **6.6.2 HARDWARE MONITORING BLOCK FUNCTIONS**

The maximum supply current for the Hardware Monitoring block, powered by HVCC, is shown in “Hardware Monitoring Block Specifications” section of the “Operation Description” section.

## **6.7 Power Management Events (PME/SCI)**

The LPC47M192 offers support for Power Management Events (PMEs), also referred to as System Control Interrupt (SCI) events. The terms PME and SCI are used synonymously throughout this document to refer to the indication of an event to the chipset via the assertion of the nIO\_PME output signal on pin 17. See the “PME Support” section.

## 7 FUNCTIONAL DESCRIPTION

The following sections describe the functional blocks located in the LPC47M192 (see FIGURE 1). All the functional blocks are dedicated to the Super I/O portion of the chip, except for the Hardware Monitoring block. The Hardware Monitoring block is maintained separately from the Super I/O components and is defined in section 7.18 – Hardware Monitoring Interface. It is powered by HVCC and all its registers are accessed through an Internal Address register located in the Hardware Monitoring block (see section 10 – Registers for Hardware Monitoring Block). The various Super I/O components are described in the following sections and their registers are implemented as typical Plug-and-Play components (see section 9 – CONFIGURATION).

It should be noted that there are two main interfaces used to access the components of this chip. The LPC interface is used to access the Super I/O registers and the SMBus is used to access the Hardware Monitoring registers.

### 7.1 Super I/O Registers

The address map, shown below in Table 1 shows the addresses of the different blocks of the Super I/O immediately after power up. The base addresses of the FDC, serial and parallel ports, PME register block, Game port and configuration register block can be moved via the configuration registers. Some addresses are used to access more than one register.

### 7.2 Host Processor Interface (LPC)

The host processor communicates with the LPC47M192 through a series of read/write registers via the LPC interface. The port addresses for these registers are shown in Table 1. Register access is accomplished through I/O cycles or DMA transfers. All registers are 8 bits wide.

Table 1 – Super I/O Block Addresses

ADDRESS	BLOCK NAME	LOGICAL DEVICE	NOTES
Base+(0-5) and +(7)	Floppy Disk	0	
Base+(0-7)	Serial Port Com 1	4	
Base1+(0-7) Base2+(0-7)	Serial Port Com 2	5	
Base+(0-3) Base+(0-7) Base+(0-3), +(400-402) Base+(0-7), +(400-402)	Parallel Port SPP EPP ECP ECP+EPP+SPP	3	
60, 64	KYBD	7	
Base + 0	Game Port	9	
Base + (0-5F)	Runtime Registers	A	Note 1
Base + (0-1)	MPU-401	B	
Base + (0-1)	Configuration		

**Note:** Refer to the configuration register descriptions for setting the base address.

**Note 1:** Logical Device A is referred to as the Runtime Register block or PME Block and may be used interchangeably throughout this document.

## 7.3 LPC Interface

The following sub-sections specify the implementation of the LPC bus.

### 7.3.1 LPC INTERFACE SIGNAL DEFINITION

The signals required for the LPC bus interface are described in the table below. LPC bus signals use PCI 33MHz electrical signal characteristics.

SIGNAL NAME	TYPE	DESCRIPTION
LAD[3:0]	I/O	LPC address/data bus. Multiplexed command, address and data bus.
LFRAME#	Input	Frame signal. Indicates start of new cycle and termination of broken cycle
PCI_RESET#	Input	PCI Reset. Used as LPC Interface Reset.
LDRQ#	Output	Encoded DMA/Bus Master request for the LPC interface.
nIO_PME	OD	Power Mgt Event signal. Allows the LPC47M192 to request wakeup.
LPCPD#	Input	Powerdown Signal. Indicates that the LPC47M192 should prepare for power to be shut on the LPC interface.
SER_IRQ	I/O	Serial IRQ.
PCI_CLK	Input	PCI Clock.

**Note:** The CLKRUN# signal is not implemented in this part.

### 7.3.2 LPC CYCLES

The following cycle types are supported by the LPC protocol.

CYCLE TYPE	TRANSFER SIZE
I/O Write	1 Byte
I/O Read	1 Byte
DMA Write	1 Byte
DMA Read	1 Byte

LPC47M192 ignores cycles that it does not support.

### 7.3.3 FIELD DEFINITIONS

The data transfers are based on specific fields that are used in various combinations, depending on the cycle type. These fields are driven onto the LAD[3:0] signal lines to communicate address, control and data information over the LPC bus between the host and the LPC47M192. See the *Low Pin Count (LPC) Interface Specification* Revision 1.0 from Intel, Section 4.2 for definition of these fields.

### 7.3.4 LFRAME# USAGE

LFRAME# is used by the host to indicate the start of cycles and the termination of cycles due to an abort or time-out condition. This signal is to be used by the LPC47M192 to know when to monitor the bus for a cycle. This signal is used as a general notification that the LAD[3:0] lines contain information relative to the start or stop of a cycle, and that the LPC47M192 monitors the bus to determine whether the cycle is intended for it. The use of LFRAME# allows the LPC47M192 to enter a lower power state internally. There is no need for the LPC47M192 to monitor the bus when it is inactive, so it can decouple its state machines from the bus, and internally gate its clocks.

When the LPC47M192 samples LFRAME# active, it immediately stops driving the LAD[3:0] signal lines on the next clock and monitor the bus for new cycle information.

The LFRAME# signal functions as described in the Low Pin Count (LPC) Interface Specification, Revision 1.0.

### 7.3.5 I/O READ AND WRITE CYCLES

The LPC47M192 is the target for I/O cycles. I/O cycles are initiated by the host for register or FIFO accesses, and will generally have minimal Sync times. The minimum number of wait-states between bytes is 1. EPP cycles will depend on the speed of the external device, and may have much longer Sync times.

Data transfers are assumed to be exactly 1-byte. If the CPU requested a 16 or 32-bit transfer, the host will break it up into 8-bit transfers.

See the “Low Pin Count (LPC) Interface Specification” Reference, Section 5.2, for the sequence of cycles for the I/O Read and Write cycles.

### 7.3.6 DMA READ AND WRITE CYCLES

DMA read cycles involve the transfer of data from the host (main memory) to the LPC47M192. DMA write cycles involve the transfer of data from the LPC47M192 to the host (main memory). Data will be coming from or going to a FIFO and will have minimal Sync times. Data transfers to/from the LPC47M192 are 1, 2 or 4 bytes.

See the “Low Pin Count (LPC) Interface Specification” Reference, Section 6.4, for the field definitions and the sequence of the DMA Read and Write cycles.

### 7.3.7 DMA PROTOCOL

DMA on the LPC bus is handled through the use of the LDRQ# lines from the LPC47M192 and special encodings on LAD[3:0] from the host.

The DMA mechanism for the LPC bus is described in the “Low Pin Count (LPC) Interface Specification,” Revision 1.0.

### 7.3.8 POWER MANAGEMENT

#### 7.3.8.1 *CLOCKRUN Protocol*

The CLKRUN# pin is not implemented in the LPC47M192.  
See the “Low Pin Count (LPC) Interface Specification” Revision 1.0, Section 8.1.

#### 7.3.8.2 *LPCPD Protocol*

See the “Low Pin Count (LPC) Interface Specification” Revision 1.0, Section 8.2.

### 7.3.9 SYNC PROTOCOL

See the “Low Pin Count (LPC) Interface Specification” Revision 1.0, Section 4.2.1.8 for a table of valid SYNC values.

#### 7.3.9.1 *Typical Usage*

The SYNC pattern is used to add wait states. For read cycles, the LPC47M192 immediately drives the SYNC pattern upon recognizing the cycle. The host immediately drives the sync pattern for write cycles. If the LPC47M192 needs to assert wait states, it does so by driving 0101 or 0110 on LAD[3:0] until it is ready, at which point it will drive 0000 or 1001. The LPC47M192 will choose to assert 0101 or 0110, but not switch between the two patterns.

The data (or wait state SYNC) will immediately follow the 0000 or 1001 value. The SYNC value of 0101 is intended to be used for normal wait states, wherein the cycle will complete within a few clocks. The LPC47M192 uses a SYNC of 0101 for all wait states in a DMA transfer.

The SYNC value of 0110 is intended to be used where the number of wait states is large. This is provided for EPP cycles, where the number of wait states could be quite large (>1 microsecond). However, the LPC47M192 uses a SYNC of 0110 for all wait states in an I/O transfer.

The SYNC value is driven within 3 clocks.

### 7.3.9.2 SYNC Timeout

The SYNC value is driven within 3 clocks. If the host observes 3 consecutive clocks without a valid SYNC pattern, it will abort the cycle.

The LPC47M192 does not assume any particular timeout. When the host is driving SYNC, it may have to insert a very large number of wait states, depending on PCI latencies and retries.

### 7.3.9.3 SYNC Patterns and Maximum Number of SYNCs

If the SYNC pattern is 0101, then the host assumes that the maximum number of SYNCs is 8.

If the SYNC pattern is 0110, then no maximum number of SYNCs is assumed. The LPC47M192 has protection mechanisms to complete the cycle. This is used for EPP data transfers and should utilize the same timeout protection that is in EPP.

### 7.3.9.4 SYNC Error Indication

The LPC47M192 reports errors via the LAD[3:0] = 1010 SYNC encoding.

If the host was reading data from the LPC47M192, data will still be transferred in the next two nibbles. This data may be invalid, but it will be transferred by the LPC47M192. If the host was writing data to the LPC47M192, the data had already been transferred.

In the case of multiple byte cycles, such as memory and DMA cycles, an error SYNC terminates the cycle. Therefore, if the host is transferring 4 bytes from a device, if the device returns the error SYNC in the first byte, the other three bytes will not be transferred.

### 7.3.9.5 I/O and DMA START Fields

I/O and DMA cycles use a START field of 0000.

### 7.3.9.6 Reset Policy

The following rules govern the reset policy:

- When PCI\_RESET# goes inactive (high), the clock is assumed to have been running for 100usec prior to the removal of the reset signal, so that everything is stable. This is the same reset active time after clock is stable that is used for the PCI bus.
- When PCI\_RESET# goes active (low):
- the host drives the LFRAME# signal high, tristates the LAD[3:0] signals, and ignores the LDRQ# signal.
- the LPC47M192 must ignore LFRAME#, tristate the LAD[3:0] pins and drive the LDRQ# signal inactive (high).

## 7.3.10 LPC TRANSFERS

### 7.3.10.1 Wait State Requirements

#### 7.3.10.1.1 I/O Transfers

The LPC47M192 inserts three wait states for an I/O read and two wait states for an I/O write cycle. A SYNC of 0110 is used for all I/O transfers. The exception to this is for transfers where IOCHRDY would normally be deasserted in an ISA transfer (i.e., EPP or IrCC transfers) in which case the sync pattern of 0110 is used and a large number of syncs may be inserted (up to 330 which corresponds to a timeout of 10us).

#### 7.3.10.1.2 DMA Transfers

The LPC47M192 inserts three wait states for a DMA read and four wait states for a DMA write cycle. A SYNC of 0101 is used for all DMA transfers.

See the example timing for the LPC cycles in the “Timing Diagrams” section.

## 7.4 Floppy Disk Controller

The Floppy Disk controller (FDC) provides the interface between a host microprocessor and the floppy disk drives. The FDC integrates the functions of the Formatter/Controller, Digital data Separator, Write Precompensation and Data Rate Selection logic for an IBM XT/AT compatible FDC. The true CMOS 765B core guarantees 100% IBM PC XT/AT compatibility in addition to providing data overflow and underflow protection. LPC47M192 supports two floppy drive directly (see “Direct Support for Two Floppy Drives” subsection).

The FDC is compatible to the 82077AA using SMSC’s proprietary floppy disk controller core.

### 7.4.1 FDC INTERNAL REGISTERS

The Floppy Disk Controller contains eight internal registers which facilitate the interfacing between the host microprocessor and the disk drive. Table 2 shows the addresses required to access these registers. Registers other than the ones shown are not supported. The rest of the description assumes that the primary addresses have been selected.

**Table 2 – Status, Data and Control Registers**

(Shown with base addresses of 3F0 and 370)

PRIMARY ADDRESS	SECONDARY ADDRESS	R/W	REGISTER
3F0	370	R	Status Register A (SRA)
3F1	371	R	Status Register B (SRB)
3F2	372	R/W	Digital Output Register (DOR)
3F3	373	R/W	Tape Drive Register (TDR)
3F4	374	R	Main Status Register (MSR)
3F4	374	W	Data Rate Select Register (DSR)
3F5	375	R/W	Data (FIFO)
3F6	376		Reserved
3F7	377	R	Digital Input Register (DIR)
3F7	377	W	Configuration Control Register (CCR)

#### STATUS REGISTER A (SRA)

##### Address 3F0 READ ONLY

This register is read-only and monitors the state of the internal interrupt signal and several disk interface pins in PS/2 and Model 30 modes. The SRA can be accessed at any time when in PS/2 mode. In the PC/AT mode the data bus pins D0 – D7 are held in a high impedance state for a read of address 3F0.

#### PS/2 Mode

	7	6	5	4	3	2	1	0
	INT PENDIN G	nDRV2	STEP	nTRK0	HDSEL	nINDX	nWP	DIR
RESET COND.	0	1	0	N/A	0	N/A	N/A	0

#### BIT 0 DIRECTION

Active high status indicating the direction of head movement. A logic “1” indicates inward direction; a logic “0” indicates outward direction.

#### BIT 1 nWRITE PROTECT

Active low status of the WRITE PROTECT disk interface input. A logic “0” indicates that the disk is write protected.

#### BIT 2 nINDEX

Active low status of the INDEX disk interface input.

#### BIT 3 HEAD SELECT

Active high status of the HDSEL disk interface input. A logic “1” selects side 1 and a logic “0” selects side 0.

**BIT 4 nTRACK 0**

Active low status of the TRK0 disk interface input.

**BIT 5 STEP**

Active high status of the STEP output disk interface output pin.

**BIT 6 nDRV2**

This function is not supported. This bit is always read as “1”.

**BIT 7 INTERRUPT PENDING**

Active high bit indicating the state of the Floppy Disk Interrupt output.

**PS/2 Model 30 Mode**

	7	6	5	4	3	2	1	0
	INT PENDING	DRQ	STEP F/F	TRK0	nHDSEL	INDX	WP	nDIR
RESET COND.	0	0	0	N/A	1	N/A	N/A	1

**BIT 0 DIRECTION**

Active low status indicating the direction of head movement. A logic “0” indicates inward direction; a logic “1” indicates outward direction.

**BIT 1 WRITE PROTECT**

Active high status of the WRITE PROTECT disk interface input. A logic “1” indicates that the disk is write protected.

**BIT 2 INDEX**

Active high status of the INDEX disk interface input.

**BIT 3 HEAD SELECT**

Active low status of the HDSEL disk interface input. A logic “0” selects side 1 and a logic “1” selects side 0.

**BIT 4 TRACK 0**

Active high status of the TRK0 disk interface input.

**BIT 5 STEP**

Active high status of the latched STEP disk interface output pin. This bit is latched with the STEP output going active, and is cleared with a read from the DIR register, or with a hardware reset or software reset.

**BIT 6 DMA REQUEST**

Active high status of the DMA request pending.

**BIT 7 INTERRUPT PENDING**

Active high bit indicating the state of the Floppy Disk Interrupt.

**STATUS REGISTER B (SRB)****Address 3F1 READ ONLY**

This register is read-only and monitors the state of several disk interface pins in PS/2 and Model 30 modes. The SRB can be accessed at any time when in PS/2 mode. In the PC/AT mode the data bus pins D0 – D7 are held in a high impedance state for a read of address 3F1.

**PS/2 Mode**

	7	6	5	4	3	2	1	0
	1	1	DRIVE SEL0	WDATA TOGGLE	RDATA TOGGLE	WGATE	MOT EN1	MOT EN0
RESET COND.	1	1	0	0	0	0	0	0



**BIT 0 MOTOR ENABLE 0**

Active high status of the MTR0 disk interface output pin. This bit is low after a hardware reset and unaffected by a software reset.

**BIT 1 MOTOR ENABLE 1**

Active high status of the MTR1 disk interface output pin. This bit is low after a hardware reset and unaffected by a software reset.

**BIT 2 WRITE GATE**

Active high status of the WGATE disk interface output.

**BIT 3 READ DATA TOGGLE**

Every inactive edge of the RDATA input causes this bit to change state.

**BIT 4 WRITE DATA TOGGLE**

Every inactive edge of the WDATA input causes this bit to change state.

**BIT 5 DRIVE SELECT 0**

Reflects the status of the Drive Select 0 bit of the DOR (address 3F2 bit 0). This bit is cleared after a hardware reset and it is unaffected by a software reset.

**BIT 6 RESERVED**

Always read as a logic "1".

**BIT 7 RESERVED**

Always read as a logic "1".

**PS/2 Model 30 Mode**

	7	6	5	4	3	2	1	0
	nDRV2	nDS1	nDS0	WDATA F/F	RDATA F/F	WGATE F/F	nDS3	nDS2
RESET COND.	N/A	1	1	0	0	0	1	1

**BIT 0 nDRIVE SELECT 2**

The DS2 disk interface is not supported.

**BIT 1 nDRIVE SELECT 3**

The DS3 disk interface is not supported.

**BIT 2 WRITE GATE**

Active high status of the latched WGATE output signal. This bit is latched by the active going edge of WGATE and is cleared by the read of the DIR register.

**BIT 3 READ DATA**

Active high status of the latched RDATA output signal. This bit is latched by the inactive going edge of RDATA and is cleared by the read of the DIR register.

**BIT 4 WRITE DATA**

Active high status of the latched WDATA output signal. This bit is latched by the inactive going edge of WDATA and is cleared by the read of the DIR register. This bit is not gated with WGATE.

**BIT 5 nDRIVE SELECT 0**

Active low status of the DS0 disk interface output.

**BIT 6 nDRIVE SELECT 1**

Active low status of the DS1 disk interface output.

### BIT 7 nDRV2

Active low status of the DRV2 disk interface input. Note: This function is not supported.

### DIGITAL OUTPUT REGISTER (DOR)

Address 3F2 READ/WRITE

The DOR controls the drive select and motor enables of the disk interface outputs. It also contains the enable for the DMA logic and a software reset bit. The contents of the DOR are unaffected by a software reset. The DOR can be written to at any time.

	7	6	5	4	3	2	1	0
	MOT EN3	MOT EN2	MOT EN1	MOT EN0	DMAEN	nRESET	DRIVE SEL1	DRIVE SEL0
RESET COND.	0	0	0	0	0	0	0	0

### BIT 0 and 1 DRIVE SELECT

These two bits are binary encoded for the drive selects, thereby allowing only one drive to be selected at one time.

### BIT 2 nRESET

A logic "0" written to this bit resets the Floppy disk controller. This reset will remain active until a logic "1" is written to this bit. This software reset does not affect the DSR and CCR registers, nor does it affect the other bits of the DOR register. The minimum reset duration required is 100ns, therefore toggling this bit by consecutive writes to this register is a valid method of issuing a software reset.

### BIT 3 DMAEN

PC/AT and Model 30 Mode:

Writing this bit to logic "1" will enable the DMA and interrupt functions. This bit being a logic "0" will disable the DMA and interrupt functions. This bit is a logic "0" after a reset and in these modes.

PS/2 Mode: In this mode the DMA and interrupt functions are always enabled. During a reset, this bit will be cleared to a logic "0".

### BIT 4 MOTOR ENABLE 0

This bit controls the MTR0 disk interface output. A logic "1" in this bit will cause the output pin to go active.

### BIT 5 MOTOR ENABLE 1

This bit controls the MTR1 disk interface output. A logic "1" in this bit will cause the output pin to go active.

DRIVE	DOR VALUE
0	1CH
1	2DH

Table 3 – Internal 2 Drive Decode – Normal

DIGITAL OUTPUT REGISTER				DRIVE SELECT OUTPUTS (ACTIVE LOW)		MOTOR ON OUTPUTS (ACTIVE LOW)	
Bit 5	Bit 4	Bit1	Bit 0	nDS1	nDS0	nMTR1	nMTR0
X	1	0	0	1	0	nBIT 5	nBIT 4
1	X	0	1	0	1	nBIT 5	nBIT 4
0	0	X	X	1	1	nBIT 5	nBIT 4

**Table 4 – Internal 2 Drive Decode – Drives 0 and 1 Swapped**

DIGITAL OUTPUT REGISTER				DRIVE SELECT OUTPUTS (ACTIVE LOW)		MOTOR ON OUTPUTS (ACTIVE LOW)	
Bit 5	Bit 4	Bit1	Bit 0	nDS1	nDS0	nMTR1	nMTR0
X	1	0	0	0	1	nBIT 4	nBIT 5
1	X	0	1	1	0	nBIT 4	nBIT 5
0	0	X	X	1	1	nBIT 4	nBIT 5

**BIT 6 MOTOR ENABLE 2**

The MTR2 disk interface output is not supported in the LPC47M192.

**BIT 7 MOTOR ENABLE 3**

The MTR3 disk interface output is not supported in the LPC47M192.

**TAPE DRIVE REGISTER (TDR)**

**Address 3F3 READ/WRITE**

The Tape Drive Register (TDR) is included for 82077 software compatibility and allows the user to assign tape support to a particular drive during initialization. Any future references to that drive automatically invokes tape support. The TDR Tape Select bits TDR.[1:0] determine the tape drive number. Table 5 illustrates the Tape Select Bit encoding. Note that drive 0 is the boot device and cannot be assigned tape support. The remaining Tape Drive Register bits TDR.[7:2] are tristated when read. The TDR is unaffected by a software reset.

**Table 5 – Tape Select Bits**

TAPE SEL1 (TDR.1)	TAPE SEL0 (TDR.0)	DRIVE SELECTED
0	0	None
0	1	1
1	0	2
1	1	3

**Normal Floppy Mode**

Normal mode. Register 3F3 contains only bits 0 and 1. When this register is read, bits 2 – 7 are '0'.

	DB7	DB6	DB5	DB4	DB3	DB2	DB1	DB0
REG 3F3	0	0	0	0	0	0	tape sel1	tape sel0

**Enhanced Floppy Mode 2 (OS2)**

Register 3F3 for Enhanced Floppy Mode 2 operation.

	DB7	DB6	DB5	DB4	DB3	DB2	DB1	DB0
REG 3F3	Reserved	Reserved	Drive Type ID		Floppy Boot Drive		tape sel1	tape sel0

**Table 6 – Drive Type ID**

DIGITAL OUTPUT REGISTER		REGISTER 3F3 – DRIVE TYPE ID	
Bit 1	Bit 0	Bit 5	Bit 4
0	0	L0-CRF2 – B1	L0-CRF2 – B0
0	1	L0-CRF2 – B3	L0-CRF2 – B2
1	0	L0-CRF2 – B5	L0-CRF2 – B4
1	1	L0-CRF2 – B7	L0-CRF2 – B6

**Note:** L0-CRF2-Bx = Logical Device 0, Configuration Register F2, Bit x.  
SMSC DS – LPC47M192

## DATA RATE SELECT REGISTER (DSR)

### Address 3F4 WRITE ONLY

This register is write only. It is used to program the data rate, amount of write precompensation, power down status, and software reset. The data rate is programmed using the Configuration Control Register (CCR) not the DSR, for PC/AT and PS/2 Model 30.

	7	6	5	4	3	2	1	0
	S/W RESET	POWER DOWN	0	PRE- COMP2	PRE- COMP1	PRE- COMP0	DRATE SEL1	DRATE SEL0
RESET COND.	0	0	0	0	0	0	1	0

This register is write only. It is used to program the data rate, amount of write precompensation, power down status, and software reset. The data rate is programmed using the Configuration Control Register (CCR) not the DSR, for PC/AT and PS/2 Model 30.

Other applications can set the data rate in the DSR. The data rate of the floppy controller is the most recent write of either the DSR or CCR. The DSR is unaffected by a software reset. A hardware reset will set the DSR to 02H, which corresponds to the default precompensation setting and 250 Kbps.

### BIT 0 and 1 DATA RATE SELECT

These bits control the data rate of the floppy controller. See Table 8 for the settings corresponding to the individual data rates. The data rate select bits are unaffected by a software reset, and are set to 250 Kbps after a hardware reset.

### BIT 2 through 4 PRECOMPENSATION SELECT

These three bits select the value of write precompensation that will be applied to the WDATA output signal. Table 7 shows the precompensation values for the combination of these bits settings. Track 0 is the default starting track number to start precompensation. This starting track number can be changed by the configure command.

Table 7 – Precompensation Delays

PRECOMP 432	PRECOMPENSATION DELAY (nsec)	
	<2Mbps	2Mbps
111	0.00	0
001	41.67	20.8
010	83.34	41.7
011	125.00	62.5
100	166.67	83.3
101	208.33	104.2
110	250.00	125
000	Default	Default

Default: See Table 10

### BIT 5 UNDEFINED

Should be written as a logic "0".

### BIT 6 LOW POWER

A logic "1" written to this bit will put the floppy controller into manual low power mode. The floppy controller clock and data separator circuits will be turned off. The controller will come out of manual low power mode after a software reset or access to the Data Register or Main Status Register.

### BIT 7 SOFTWARE RESET

This active high bit has the same function as the DOR RESET (DOR bit 2) except that this bit is self clearing.

**Note:** The DSR is Shadowed in the Floppy Data Rate Select Shadow Register, located at the offset 0x1F in the runtime register block Separator circuits will be turned off. The controller will come out of manual low power.

**Table 8 – Data Rates**

DRIVE RATE		DATA RATE		DATA RATE		DENSEL	DRATE(1)	
DRT1	DRT0	SEL1	SEL0	MFM	FM		1	0
0	0	1	1	1Meg	---	1	1	1
0	0	0	0	500	250	1	0	0
0	0	0	1	300	150	0	0	1
0	0	1	0	250	125	0	1	0
0	1	1	1	1Meg	---	1	1	1
0	1	0	0	500	250	1	0	0
0	1	0	1	500	250	0	0	1
0	1	1	0	250	125	0	1	0
1	0	1	1	1Meg	---	1	1	1
1	0	0	0	500	250	1	0	0
1	0	0	1	2Meg	---	0	0	1
1	0	1	0	250	125	0	1	0

Drive Rate Table (Recommended) 00 = 360K, 1.2M, 720K, 1.44M and 2.88M Vertical Format  
 01 = 3-Mode Drive  
 10 = 2 Meg Tape

**Note 1:** The DRATE and DENSEL values are mapped onto the DRV DEN pins.

**Table 9 – DRV DEN Mapping**

DT1	DT0	DRV DEN1 (1)	DRV DEN0 (1)	DRIVE TYPE
0	0	DRATE0	DENSEL	4/2/1 MB 3.5" 2/1 MB 5.25" FD DS 2/1.6/1 MB 3.5" (3-MODE)
1	0	DRATE0	DRATE1	
0	1	DRATE0	nDENSEL	PS/2
1	1	DRATE1	DRATE0	

**Table 10 – Default Precompensation Delays**

DATA RATE	PRECOMPENSATION DELAYS
2 Mbps	20.8 ns
1 Mbps	41.67 ns
500 Kbps	125 ns
300 Kbps	125 ns
250 Kbps	125 ns

## MAIN STATUS REGISTER

### Address 3F4 READ ONLY

The Main Status Register is a read-only register and indicates the status of the disk controller. The Main Status Register can be read at any time. The MSR indicates when the disk controller is ready to receive data via the Data Register. It should be read before each byte transferring to or from the data register except in DMA mode. No delay is required when reading the MSR after a data transfer.

7	6	5	4	3	2	1	0
RQM	DIO	NON DMA	CMD BUSY	Reserved	Reserved	DRV1 BUSY	DRV0 BUSY

### BIT 0 – 1 DRV x BUSY

These bits are set to 1s when a drive is in the seek portion of a command, including implied and overlapped seeks and recalibrates.

### BIT 4 COMMAND BUSY

This bit is set to a 1 when a command is in progress. This bit will go active after the command byte has been accepted and goes inactive at the end of the results phase. If there is no result phase (Seek, Recalibrate commands), this bit is returned to a 0 after the last command byte.

### BIT 5 NON-DMA

Reserved, read '0'. This part does not support non-DMA mode.

### BIT 6 DIO

Indicates the direction of a data transfer once a RQM is set. A 1 indicates a read and a 0 indicates a write is required.

### BIT 7 RQM

Indicates that the host can transfer data if set to a 1. No access is permitted if set to a 0.

## DATA REGISTER (FIFO)

### Address 3F5 READ/WRITE

All command parameter information, disk data and result status are transferred between the host processor and the floppy disk controller through the Data Register.

Data transfers are governed by the RQM and DIO bits in the Main Status Register.

The Data Register defaults to FIFO disabled mode after any form of reset. This maintains PC/AT hardware compatibility. The default values can be changed through the Configure command (enable full FIFO operation with threshold control). The advantage of the FIFO is that it allows the system a larger DMA latency without causing a disk error. Table 11 gives several examples of the delays with a FIFO.

The data is based upon the following formula:

$$\text{Threshold \# x } \left| \frac{1}{\text{DATA RATE}} \times 8 \right| - 1.5 \text{ us} = \text{DELAY}$$

At the start of a command, the FIFO action is always disabled and command parameters must be sent based upon the RQM and DIO bit settings. As the command execution phase is entered, the FIFO is cleared of any data to ensure that invalid data is not transferred.

An overrun or underrun will terminate the current command and the transfer of data. Disk writes will complete the current sector by generating a 00 pattern and valid CRC. Reads require the host to remove the remaining data so that the result phase may be entered.

**Table 11 – FIFO Service Delay**

FIFO THRESHOLD EXAMPLES	MAXIMUM DELAY TO SERVICING AT 2 Mbps DATA RATE
1 byte 2 bytes 8 bytes 15 bytes	1 x 4 us - 1.5 us = 2.5 us 2 x 4 us - 1.5 us = 6.5 us 8 x 4 us - 1.5 us = 30.5 us 15 x 4 us - 1.5 us = 58.5 us

FIFO THRESHOLD EXAMPLES	MAXIMUM DELAY TO SERVICING AT 1 Mbps DATA RATE
1 byte 2 bytes 8 bytes 15 bytes	1 x 8 us - 1.5 us = 6.5 us 2 x 8 us - 1.5 us = 14.5 us 8 x 8 us - 1.5 us = 62.5 us 15 x 8 us - 1.5 us = 118.5 us

FIFO THRESHOLD EXAMPLES	MAXIMUM DELAY TO SERVICING AT 500 Kbps DATA RATE
1 byte 2 bytes 8 bytes 15 bytes	1 x 16 us - 1.5 us = 14.5 us 2 x 16 us - 1.5 us = 30.5 us 8 x 16 us - 1.5 us = 126.5 us 15 x 16 us - 1.5 us = 238.5 us

**DIGITAL INPUT REGISTER (DIR)**

**Address 3F7 READ ONLY**

This register is read-only in all modes.

**PC-AT Mode**

	7	6	5	4	3	2	1	0
	DSK CHG	0	0	0	0	0	0	0
RESET COND.	N/A	N/A	N/A	N/A	N/A	N/A	N/A	N/A

**BIT 0 – 6 UNDEFINED**

The data bus outputs D0 – 6 are read as '0'.

**BIT 7 DSKCHG**

This bit monitors the pin of the same name and reflects the opposite value seen on the disk cable or the value programmed in the Force Disk Change Register (see Runtime Register at offset 0x1E).

**PS/2 Mode**

	7	6	5	4	3	2	1	0
	DSK CHG	1	1	1	1	DRATE SEL1	DRATE SEL0	nHIGH DENS
RESET COND.	N/A	N/A	N/A	N/A	N/A	N/A	N/A	1

**BIT 0 nHIGH DENS**

This bit is low whenever the 500 Kbps or 1 Mbps data rates are selected, and high when 250 Kbps and 300 Kbps are selected.

### **BITS 1 – 2 DATA RATE SELECT**

These bits control the data rate of the floppy controller. See Table 8 for the settings corresponding to the individual data rates. The data rate select bits are unaffected by a software reset, and are set to 250 Kbps after a hardware reset.

### **BITS 3 – 6 UNDEFINED**

Always read as a logic “1”

### **BIT 7 DSKCHG**

This bit monitors the pin of the same name and reflects the opposite value seen on the disk cable or the value programmed in the Force Disk Change Register (see Runtime Register at offset 0x1E).

### **Model 30 Mode**

	7	6	5	4	3	2	1	0
	DSK CHG	0	0	0	DMAEN	NOPREC	DRATE SEL1	DRATE SEL0
RESET COND.	N/A	0	0	0	0	0	1	0

### **BITS 0 – 1 DATA RATE SELECT**

These bits control the data rate of the floppy controller. See Table 8 for the settings corresponding to the individual data rates. The data rate select bits are unaffected by a software reset, and are set to 250 Kbps after a hardware reset.

### **BIT 2 NOPREC**

This bit reflects the value of NOPREC bit set in the CCR register.

### **BIT 3 DMAEN**

This bit reflects the value of DMAEN bit set in the DOR register bit 3.

### **BITS 4 – 6 UNDEFINED**

Always read as a logic “0”

### **BIT 7 DSKCHG**

This bit monitors the pin of the same name and reflects the opposite value seen on the disk cable or the value programmed in the Force Disk Change Register (see Runtime Register at offset 0x1E).

### **CONFIGURATION CONTROL REGISTER (CCR)**

**Address 3F7 WRITE ONLY**

### **PC/AT and PS/2 Modes**

	7	6	5	4	3	2	1	0
	0	0	0	0	0	0	DRATE SEL1	DRATE SEL0
RESET COND.	N/A	N/A	N/A	N/A	N/A	N/A	1	0

### **BIT 0 and 1 DATA RATE SELECT 0 and 1**

These bits determine the data rate of the floppy controller. See Table 8 for the appropriate values.

### **BIT 2 – 7 RESERVED**

Should be set to a logical “0”



## PS/2 Model 30 Mode

	7	6	5	4	3	2	1	0
	0	0	0	0	0	NOPREC	DRATE SEL1	DRATE SEL0
RESET COND.	N/A	N/A	N/A	N/A	N/A	N/A	1	0

### BIT 0 and 1 DATA RATE SELECT 0 and 1

These bits determine the data rate of the floppy controller. See Table 8 for the appropriate values.

### BIT 2 NO PRECOMPENSATION

This bit can be set by software, but it has no functionality. It can be read by bit 2 of the DSR when in Model 30 register mode. Unaffected by software reset.

### BIT 3 – 7 RESERVED

Should be set to a logical "0"

Table 9 shows the state of the DENSEL pin. The DENSEL pin is set high after a hardware reset and is unaffected by the DOR and the DSR resets.

## 7.4.2 STATUS REGISTER ENCODING

During the Result Phase of certain commands, the Data Register contains data bytes that give the status of the command just executed.

**Table 12 – Status Register 0**

BIT NO.	SYMBOL	NAME	DESCRIPTION
7,6	IC	Interrupt Code	00 - Normal termination of command. The specified command was properly executed and completed without error. 01 - Abnormal termination of command. Command execution was started, but was not successfully completed. 10 - Invalid command. The requested command could not be executed. 11 - Abnormal termination caused by Polling.
5	SE	Seek End	The FDC completed a Seek, Relative Seek or Recalibrate command (used during a Sense Interrupt Command).
4	EC	Equipment Check	The TRK0 pin failed to become a "1" after: 1. Step pulses in the Recalibrate command. 2. The Relative Seek command caused the FDC to step outward beyond Track 0.
3			Unused. This bit is always "0".
2	H	Head Address	The current head address.
1,0	DS1,0	Drive Select	The current selected drive.

**Table 13 – Status Register 1**

BIT NO.	SYMBOL	NAME	DESCRIPTION
7	EN	End of Cylinder	The FDC tried to access a sector beyond the final sector of the track (255D). Will be set if TC is not issued after Read or Write Data command.
6			Unused. This bit is always "0".
5	DE	Data Error	The FDC detected a CRC error in either the ID field or the data field of a sector.

BIT NO.	SYMBOL	NAME	DESCRIPTION
4	OR	Overrun/ Underrun	Becomes set if the FDC does not receive CPU or DMA service within the required time interval, resulting in data overrun or underrun.
3			Unused. This bit is always "0".
2	ND	No Data	Any one of the following: 1. Read Data, Read Deleted Data command - the FDC did not find the specified sector. 2. Read ID command - the FDC cannot read the ID field without an error. 3. Read A Track command - the FDC cannot find the proper sector sequence.
1	NW	Not Writeable	WP pin became a "1" while the FDC is executing a Write Data, Write Deleted Data, or Format A Track command.
0	MA	Missing Address Mark	Any one of the following: 1. The FDC did not detect an ID address mark at the specified track after encountering the index pulse from the nINDEX pin twice. 2. The FDC cannot detect a data address mark or a deleted data address mark on the specified track.

**Table 14 – Status Register 2**

BIT NO.	SYMBOL	NAME	DESCRIPTION
7			Unused. This bit is always "0".
6	CM	Control Mark	Any one of the following: Read Data command - the FDC encountered a deleted data address mark. Read Deleted Data command - the FDC encountered a data address mark.
5	DD	Data Error in Data Field	The FDC detected a CRC error in the data field.
4	WC	Wrong Cylinder	The track address from the sector ID field is different from the track address maintained inside the FDC.
3			Unused. This bit is always "0".
2			Unused. This bit is always "0".
1	BC	Bad Cylinder	The track address from the sector ID field is different from the track address maintained inside the FDC and is equal to FF hex, which indicates a bad track with a hard error according to the IBM soft-sectored format.
0	MD	Missing Data Address Mark	The FDC cannot detect a data address mark or a deleted data address mark.

**Table 15 – Status Register 3**

BIT NO.	SYMBOL	NAME	DESCRIPTION
7			Unused. This bit is always "0".
6	WP	Write Protected	Indicates the status of the WRTPRT pin.
5			Unused. This bit is always "1".
4	T0	Track 0	Indicates the status of the TRK0 pin.
3			Unused. This bit is always "1".
2	HD	Head Address	Indicates the status of the HDSEL pin.
1,0	DS1,0	Drive Select	Indicates the status of the DS1, DS0 pins.

## RESET

There are three sources of system reset on the FDC: the PCI\_RESET# pin, a reset generated via a bit in the DOR, and a reset generated via a bit in the DSR. At power on, a Power On Reset initializes the FDC. All resets take the FDC out of the power down state.

All operations are terminated upon a PCI\_RESET#, and the FDC enters an idle state. A reset while a disk write is in progress will corrupt the data and CRC.

On exiting the reset state, various internal registers are cleared, including the Configure command information, and the FDC waits for a new command. Drive polling will start unless disabled by a new Configure command.

### PCI\_RESET# Pin (Hardware Reset)

The PCI\_RESET# pin is a global reset and clears all registers except those programmed by the Specify command. The DOR reset bit is enabled and must be cleared by the host to exit the reset state.

### DOR Reset vs. DSR Reset (Software Reset)

These two resets are functionally the same. Both will reset the FDC core, which affects drive status information and the FIFO circuits. The DSR reset clears itself automatically while the DOR reset requires the host to manually clear it. DOR reset has precedence over the DSR reset. The DOR reset is set automatically upon a pin reset. The user must manually clear this reset bit in the DOR to exit the reset state.

## MODES OF OPERATION

The FDC has three modes of operation, PC/AT mode, PS/2 mode and Model 30 mode. These are determined by the state of the Interface Mode bits in LD0-CRF0[3,2].

### PC/AT mode

The PC/AT register set is enabled, the DMA enable bit of the DOR becomes valid (controls the interrupt and DMA functions), and DENSEL is an active high signal.

### PS/2 mode

This mode supports the PS/2 models 50/60/80 configuration and register set. The DMA bit of the DOR becomes a "don't care". The DMA and interrupt functions are always enabled, and DENSEL is active low.

### Model 30 mode

This mode supports PS/2 Model 30 configuration and register set. The DMA enable bit of the DOR becomes valid (controls the interrupt and DMA functions), and DENSEL is active low.

## DMA TRANSFERS

DMA transfers are enabled with the Specify command and are initiated by the FDC by activating a DMA request cycle. DMA read, write and verify cycles are supported. The FDC supports two DMA transfer modes: Single Transfer and Burst Transfer. Burst mode is enabled via Logical Device 0-CRF0-Bit[1] (LD0-CRF0[1]).

## CONTROLLER PHASES

For simplicity, command handling in the FDC can be divided into three phases: Command, Execution, and Result. Each phase is described in the following sections.

### Command Phase

After a reset, the FDC enters the command phase and is ready to accept a command from the host. For each of the commands, a defined set of command code bytes and parameter bytes has to be written to the FDC before the command phase is complete. (Please refer to Table 16 for the command set descriptions). These bytes of data must be transferred in the order prescribed.

Before writing to the FDC, the host must examine the RQM and DIO bits of the Main Status Register. RQM and DIO must be equal to "1" and "0" respectively before command bytes may be written. RQM is set false by the FDC after each write cycle until the received byte is processed. The FDC asserts RQM again to request each parameter byte of the command unless an illegal command condition is detected. After the last parameter byte is received, RQM remains "0" and the FDC automatically enters the next phase as defined by the command definition.

The FIFO is disabled during the command phase to provide for the proper handling of the "Invalid Command" condition.

### Execution Phase

All data transfers to or from the FDC occur during the execution phase, which can proceed in DMA mode as indicated in the Specify command.

After a reset, the FIFO is disabled. Each data byte is transferred by a read/write or DMA cycle depending on the DMA mode. The Configure command can enable the FIFO and set the FIFO threshold value.

The following paragraphs detail the operation of the FIFO flow control. In these descriptions, <threshold> is defined as the number of bytes available to the FDC when service is requested from the host and ranges from 1 to 16. The parameter FIFOTHR, which the user programs, is one less and ranges from 0 to 15.

A low threshold value (i.e. 2) results in longer periods of time between service requests, but requires faster servicing of the request for both read and write cases. The host reads (writes) from (to) the FIFO until empty (full), then the transfer request goes inactive. The host must be very responsive to the service request. This is the desired case for use with a "fast" system.

A high value of threshold (i.e. 12) is used with a "sluggish" system by affording a long latency period after a service request, but results in more frequent service requests.

### Non-DMA Mode – Transfers from the FIFO to the Host

This part does not support non-DMA mode.

### Non-DMA Mode – Transfers from the Host to the FIFO

This part does not support non-DMA mode.

### DMA Mode – Transfers from the FIFO to the Host

The FDC generates a DMA request cycle when the FIFO contains (16 - <threshold>) bytes, or the last byte of a full sector transfer has been placed in the FIFO. The DMA controller must respond to the request by reading data from the FIFO. The FDC will deactivate the DMA request when the FIFO becomes empty by generating the proper sync for the data transfer.

### DMA Mode – Transfers from the Host to the FIFO.

The FDC generates a DMA request cycle when entering the execution phase of the data transfer commands. The DMA controller must respond by placing data in the FIFO. The DMA request remains active until the FIFO becomes full. The DMA request cycle is reasserted when the FIFO has <threshold> bytes remaining in the FIFO. The FDC will terminate the DMA cycle after a TC, indicating that no more data is required.

## Data Transfer Termination

The FDC supports terminal count explicitly through the TC pin and implicitly through the underrun/overflow and end-of-track (EOT) functions. For full sector transfers, the EOT parameter can define the last sector to be transferred in a single or multi-sector transfer.

If the last sector to be transferred is a partial sector, the host can stop transferring the data in mid-sector, and the FDC will continue to complete the sector as if a TC cycle was received. The only difference between these implicit functions and TC cycle is that they return "abnormal termination" result status. Such status indications can be ignored if they were expected.

Note that when the host is sending data to the FIFO of the FDC, the internal sector count will be complete when the FDC reads the last byte from its side of the FIFO. There may be a delay in the removal of the transfer request signal of up to the time taken for the FDC to read the last 16 bytes from the FIFO. The host must tolerate this delay.

## Result Phase

The generation of the interrupt determines the beginning of the result phase. For each of the commands, a defined set of result bytes has to be read from the FDC before the result phase is complete. These bytes of data must be read out for another command to start.

RQM and DIO must both equal "1" before the result bytes may be read. After all the result bytes have been read, the RQM and DIO bits switch to "1" and "0" respectively, and the CB bit is cleared, indicating that the FDC is ready to accept the next command.

## Command Set/Descriptions

Commands can be written whenever the FDC is in the command phase. Each command has a unique set of needed parameters and status results. The FDC checks to see that the first byte is a valid command and, if valid, proceeds with the command. If it is invalid, an interrupt is issued. The user sends a Sense Interrupt Status command which returns an invalid command error. Refer to Table 16 for explanations of the various symbols used. Table 17 lists the required parameters and the results associated with each command that the FDC is capable of performing.

**Table 16 – Description of Command Symbols**

SYMBOL	NAME	DESCRIPTION									
C	Cylinder Address	The currently selected address; 0 to 255.									
D	Data Pattern	The pattern to be written in each sector data field during formatting.									
D0, D1	Drive Select 0-1	Designates which drives are perpendicular drives on the Perpendicular Mode Command. A "1" indicates a perpendicular drive.									
DIR	Direction Control	If this bit is 0, then the head will step out from the spindle during a relative seek. If set to a 1, the head will step in toward the spindle.									
DS0, DS1	Disk Drive Select	<table border="1"> <thead> <tr> <th>DS1</th> <th>DS0</th> <th>DRIVE</th> </tr> </thead> <tbody> <tr> <td>0</td> <td>0</td> <td>Drive 0</td> </tr> <tr> <td>0</td> <td>1</td> <td>Drive 1</td> </tr> </tbody> </table>	DS1	DS0	DRIVE	0	0	Drive 0	0	1	Drive 1
DS1	DS0	DRIVE									
0	0	Drive 0									
0	1	Drive 1									
DTL	Special Sector Size	By setting N to zero (00), DTL may be used to control the number of bytes transferred in disk read/write commands. The sector size (N = 0) is set to 128. If the actual sector (on the diskette) is larger than DTL, the remainder of the actual sector is read but is not passed to the host during read commands; during write commands, the remainder of the actual sector is written with all zero bytes. The CRC check code is calculated with the actual sector. When N is not zero, DTL has no meaning and should be set to FF HEX.									
EC	Enable Count	When this bit is "1" the "DTL" parameter of the Verify command becomes SC (number of sectors per track).									
EFIFO	Enable FIFO	This active low bit when a 0, enables the FIFO. A "1" disables the FIFO (default).									
EIS	Enable Implied Seek	When set, a seek operation will be performed before executing any read or write command that requires the C parameter in the command phase. A "0" disables the implied seek.									
EOT	End of Track	The final sector number of the current track.									

**Table 16 – Description of Command Symbols**

<b>SYMBOL</b>	<b>NAME</b>	<b>DESCRIPTION</b>
GAP		Alters Gap 2 length when using Perpendicular Mode.
GPL	Gap Length	The Gap 3 size. (Gap 3 is the space between sectors excluding the VCO synchronization field).
H/HDS	Head Address	Selected head: 0 or 1 (disk side 0 or 1) as encoded in the sector ID field.
HLT	Head Load Time	The time interval that FDC waits after loading the head and before initializing a read or write operation. Refer to the Specify command for actual delays.
HUT	Head Unload Time	The time interval from the end of the execution phase (of a read or write command) until the head is unloaded. Refer to the Specify command for actual delays.
LOCK		Lock defines whether EFIFO, FIFOTHR, and PRETRK parameters of the CONFIGURE COMMAND can be reset to their default values by a "software Reset". (A reset caused by writing to the appropriate bits of either the DSR or DOR)
MFM	MFM/FM Mode Selector	A one selects the double density (MFM) mode. A zero selects single density (FM) mode.
MT	Multi-Track Selector	When set, this flag selects the multi-track operating mode. In this mode, the FDC treats a complete cylinder under head 0 and 1 as a single track. The FDC operates as this expanded track started at the first sector under head 0 and ended at the last sector under head 1. With this flag set, a multitrack read or write operation will automatically continue to the first sector under head 1 when the FDC finishes operating on the last sector under head 0.
N	Sector Size Code	This specifies the number of bytes in a sector. If this parameter is "00", then the sector size is 128 bytes. The number of bytes transferred is determined by the DTL parameter. Otherwise the sector size is (2 raised to the "N'th" power) times 128. All values up to "07" hex are allowable. "07" would equal a sector size of 16k. It is the user's responsibility to not select combinations that are not possible with the drive. N        SECTOR SIZE 00       128 Bytes 01       256 Bytes 02       512 Bytes 03       1024 Bytes ...       ... 07       16K Bytes
NCN	New Cylinder Number	The desired cylinder number.
ND	Non-DMA Mode Flag	Write '0'. This part does not support non-DMA mode.
OW	Overwrite	The bits D0-D3 of the Perpendicular Mode Command can only be modified if OW is set to 1. OW is defined in the Lock command.
PCN	Present Cylinder Number	The current position of the head at the completion of Sense Interrupt Status command.
POLL	Polling Disable	When set, the internal polling routine is disabled. When clear, polling is enabled.
PRETRK	Precompensation Start Track Number	Programmable from track 00 to FFH.
R	Sector Address	The sector number to be read or written. In multi-sector transfers, this parameter specifies the sector number of the first sector to be read or written.

**Table 16 – Description of Command Symbols**

<b>SYMBOL</b>	<b>NAME</b>	<b>DESCRIPTION</b>
RCN	Relative Cylinder Number	Relative cylinder offset from present cylinder as used by the Relative Seek command.
SC	Number of Sectors Per Track	The number of sectors per track to be initialized by the Format command. The number of sectors per track to be verified during a Verify command when EC is set.
SK	Skip Flag	When set to 1, sectors containing a deleted data address mark will automatically be skipped during the execution of Read Data. If Read Deleted is executed, only sectors with a deleted address mark will be accessed. When set to "0", the sector is read or written the same as the read and write commands.
SRT	Step Rate Interval	The time interval between step pulses issued by the FDC. Programmable from 0.5 to 8 milliseconds in increments of 0.5 ms at the 1 Mbit data rate. Refer to the SPECIFY command for actual delays.
ST0 ST1 ST2 ST3	Status 0 Status 1 Status 2 Status 3	Registers within the FDC which store status information after a command has been executed. This status information is available to the host during the result phase after command execution.
WGATE	Write Gate	Alters timing of WE to allow for pre-erase loads in perpendicular drives.

### 7.4.3 INSTRUCTION SET

Table 17 – Instruction Set

READ DATA											
PHASE	R/W	DATA BUS								REMARKS	
		D7	D6	D5	D4	D3	D2	D1	D0		
Command	W	MT	MFM	SK	0	0	1	1	0	Command Codes	
	W	0	0	0	0	0	HDS	DS1	DS0		
	W	C									Sector ID information prior to Command execution.
	W	H									
	W	R									
	W	N									
	W	EOT									
	W	GPL									
W	DTL										
Execution										Data transfer between the FDD and system.	
Result	R	ST0								Status information after Command execution.	
	R	ST1									
	R	ST2									
	R	C								Sector ID information after Command execution.	
	R	H									
	R	R									
	R	N									

READ DELETED DATA											
PHASE	R/W	DATA BUS								REMARKS	
		D7	D6	D5	D4	D3	D2	D1	D0		
Command	W	MT	MFM	SK	0	1	1	0	0	Command Codes	
	W	0	0	0	0	0	HDS	DS1	DS0		
	W	C									Sector ID information prior to Command execution.
	W	H									
	W	R									
	W	N									
	W	EOT									
	W	GPL									
W	DTL										
Execution										Data transfer between the FDD and system.	
Result	R	ST0								Status information after Command execution.	
	R	ST1									
	R	ST2									
	R	C								Sector ID information after Command execution.	
	R	H									
	R	R									
	R	N									



WRITE DATA											
PHASE	R/W	DATA BUS								REMARKS	
		D7	D6	D5	D4	D3	D2	D1	D0		
Command	W	MT	MFM	0	0	0	1	0	1	Command Codes	
	W	0	0	0	0	0	HDS	DS1	DS0		
	W	C									Sector ID information prior to Command execution.
	W	H									
	W	R									
	W	N									
	W	EOT									
	W	GPL									
W	DTL										
Execution										Data transfer between the FDD and system.	
Result	R									Status information after Command execution.	
	R	ST0									
	R	ST1									
	R	ST2									
	R	C								Sector ID information after Command execution.	
	R	H									
	R	R									
	R	N									

WRITE DELETED DATA											
PHASE	R/W	DATA BUS								REMARKS	
		D7	D6	D5	D4	D3	D2	D1	D0		
Command	W	MT	MFM	0	0	1	0	0	1	Command Codes	
	W	0	0	0	0	0	HDS	DS1	DS0		
	W	C									Sector ID information prior to Command execution.
	W	H									
	W	R									
	W	N									
	W	EOT									
	W	GPL									
W	DTL										
Execution										Data transfer between the FDD and system.	
Result	R									Status information after Command execution.	
	R	ST0									
	R	ST1									
	R	ST2									
	R	C								Sector ID information after Command execution.	
	R	H									
	R	R									
	R	N									

READ A TRACK										
PHASE	R/W	DATA BUS								REMARKS
		D7	D6	D5	D4	D3	D2	D1	D0	
Command	W	0	MFM	0	0	0	0	1	0	Command Codes  Sector ID information prior to Command execution.
	W	0	0	0	0	0	HDS	DS1	DS0	
	W					C				
Execution	W					H				
	W					R				
	W					N				
	W					EOT				
	W					GPL				
	W					DTL				
	W									
Result	R					ST0				Data transfer between the FDD and system. FDC reads all of cylinders' contents from index hole to EOT. Status information after Command execution.  Sector ID information after Command execution.
	R					ST1				
	R					ST2				
	R					C				
	R					H				
	R					R				
	R					N				

VERIFY										
PHASE	R/W	DATA BUS								REMARKS
		D7	D6	D5	D4	D3	D2	D1	D0	
Command	W	MT	MFM	SK	1	0	1	1	0	Command Codes  Sector ID information prior to Command execution.
	W	EC	0	0	0	0	HDS	DS1	DS0	
	W					C				
Execution	W					H				
	W					R				
	W					N				
	W					EOT				
	W					GPL				
	W					DTL/SC				
	W									
Result	R					ST0				No data transfer takes place. Status information after Command execution.  Sector ID information after Command execution.
	R					ST1				
	R					ST2				
	R					C				
	R					H				
	R					R				
	R					N				

VERSION										
PHASE	R/W	DATA BUS								REMARKS
		D7	D6	D5	D4	D3	D2	D1	D0	
Command	W	0	0	0	1	0	0	0	0	Command Code
Result	R	1	0	0	1	0	0	0	0	Enhanced Controller

FORMAT A TRACK										
PHASE	R/W	DATA BUS								REMARKS
		D7	D6	D5	D4	D3	D2	D1	D0	
Command	W	0	MFM	0	0	1	1	0	1	Command Codes
	W	0	0	0	0	0	HDS	DS1	DS0	Bytes/Sector Sectors/Cylinder Gap 3 Filler Byte
	W					N				
	W					SC				
	W					GPL				
	W					D				
Execution for Each Sector Repeat:	W					C				Input Sector Parameters
	W					H				FDC formats an entire cylinder Status information after Command execution
	W					R				
	W					N				
Result	R					ST0				
	R					ST1				
	R					ST2				
	R					Undefined				
	R					Undefined				
R					Undefined					
R					Undefined					

RECALIBRATE										
PHASE	R/W	DATA BUS								REMARKS
		D7	D6	D5	D4	D3	D2	D1	D0	
Command	W	0	0	0	0	0	1	1	1	Command Codes
Execution	W	0	0	0	0	0	0	DS1	DS0	Head retracted to Track 0 Interrupt.

SENSE INTERRUPT STATUS										
PHASE	R/W	DATA BUS								REMARKS
		D7	D6	D5	D4	D3	D2	D1	D0	
Command	W	0	0	0	0	1	0	0	0	Command Codes
Result	R					ST0				Status information at the end of each seek operation.
	R					PCN				

SPECIFY										
PHASE	R/W	DATA BUS								REMARKS
		D7	D6	D5	D4	D3	D2	D1	D0	
Command	W	0	0	0	0	0	0	1	1	Command Codes
	W	SRT			HUT					
	W	HLT				ND				

SENSE DRIVE STATUS										
PHASE	R/W	DATA BUS								REMARKS
		D7	D6	D5	D4	D3	D2	D1	D0	
Command	W	0	0	0	0	0	1	0	0	Command Codes
Result	W	0	0	0	0	0	HDS	DS1	DS0	Status information about FDD
	R	ST3								

SEEK										
PHASE	R/W	DATA BUS								REMARKS
		D7	D6	D5	D4	D3	D2	D1	D0	
Command	W	0	0	0	0	1	1	1	1	Command Codes
Execution	W	0	0	0	0	0	HDS	DS1	DS0	Head positioned over proper cylinder on diskette.
	W	NCN								

CONFIGURE										
PHASE	R/W	DATA BUS								REMARKS
		D7	D6	D5	D4	D3	D2	D1	D0	
Command	W	0	0	0	1	0	0	1	1	Configure Information
Execution	W	0	0	0	0	0	0	0	0	
	W	0	EIS	EFIFO	POLL	FIFOTHR				
	W	PRETRK								

RELATIVE SEEK										
PHASE	R/W	DATA BUS								REMARKS
		D7	D6	D5	D4	D3	D2	D1	D0	
Command	W	1	DIR	0	0	1	1	1	1	
W	0	0	0	0	0	HDS	DS1	DS0		
W	RCN									

DUMPREG										
PHASE	R/W	DATA BUS								REMARKS
		D7	D6	D5	D4	D3	D2	D1	D0	
Command	W	0	0	0	0	1	1	1	0	*Note: Registers placed in FIFO
Execution										
Result	R	PCN-Drive 0								
	R	PCN-Drive 1								
	R	PCN-Drive 2								
	R	PCN-Drive 3								

DUMPREG										
		DATA BUS								
PHASE	R/W	D7	D6	D5	D4	D3	D2	D1	D0	REMARKS
	R	SRT				HUT				
	R	HLT							ND	
	R	SC/EOT								
	R	LOCK	0	D3	D2	D1	D0	GAP	WGATE	
	R	0	EIS	EFIFO	POLL	FIFOTHR				
	R	PRETRK								

READ ID											
		DATA BUS									
PHASE	R/W	D7	D6	D5	D4	D3	D2	D1	D0	REMARKS	
Command	W	0	MFM	0	0	1	0	1	0	Commands	
Execution	W	0	0	0	0	0	HDS	DS1	DS0	The first correct ID information on the Cylinder is stored in Data Register Status information after Command execution.  Disk status after the Command has completed	
Result	R	ST0									
	R	ST1									
	R	ST2									
	R	C									
	R	H									
	R	N									

PERPENDICULAR MODE										
		DATA BUS								
PHASE	R/W	D7	D6	D5	D4	D3	D2	D1	D0	REMARKS
Command	W	0	0	0	1	0	0	1	0	Command Codes
		OW	0	D3	D2	D1	D0	GAP	WGATE	

INVALID CODES										
		DATA BUS								
PHASE	R/W	D7	D6	D5	D4	D3	D2	D1	D0	REMARKS
Command	W	Invalid Codes								Invalid Command Codes (NoOp – FDC goes into Standby State) ST0 = 80H
Result	R	ST0								

LOCK										
		DATA BUS								
PHASE	R/W	D7	D6	D5	D4	D3	D2	D1	D0	REMARKS
Command	W	LOCK	0	0	1	0	1	0	0	Command Codes
Result	R	0	0	0	LOCK	0	0	0	0	

SC is returned if the last command that was issued was the Format command. EOT is returned if the last command was a Read or Write.

**Note:** These bits are used internally only. They are not reflected in the Drive Select pins. It is the user's responsibility to maintain correspondence between these bits and the Drive Select pins (DOR).

## 7.4.4 DATA TRANSFER COMMANDS

All of the Read Data, Write Data and Verify type commands use the same parameter bytes and return the same results information, the only difference being the coding of bits 0-4 in the first byte.

An implied seek will be executed if the feature was enabled by the Configure command. This seek is completely transparent to the user. The Drive Busy bit for the drive will go active in the Main Status Register during the seek portion of the command. If the seek portion fails, it is reflected in the results status normally returned for a Read/Write Data command. Status Register 0 (ST0) would contain the error code and C would contain the cylinder on which the seek failed.

### Read Data

A set of nine (9) bytes is required to place the FDC in the Read Data Mode. After the Read Data command has been issued, the FDC loads the head (if it is in the unloaded state), waits the specified head settling time (defined in the Specify command), and begins reading ID Address Marks and ID fields. When the sector address read off the diskette matches with the sector address specified in the command, the FDC reads the sector's data field and transfers the data to the FIFO.

After completion of the read operation from the current sector, the sector address is incremented by one and the data from the next logical sector is read and output via the FIFO. This continuous read function is called "Multi-Sector Read Operation". Upon receipt of the TC cycle, or an implied TC (FIFO overrun/underrun), the FDC stops sending data but will continue to read data from the current sector, check the CRC bytes, and at the end of the sector, terminate the Read Data Command.

N determines the number of bytes per sector (see Table 18 below). If N is set to zero, the sector size is set to 128. The DTL value determines the number of bytes to be transferred. If DTL is less than 128, the FDC transfers the specified number of bytes to the host. For reads, it continues to read the entire 128-byte sector and checks for CRC errors. For writes, it completes the 128-byte sector by filling in zeros. If N is not set to 00 Hex, DTL should be set to FF Hex and has no impact on the number of bytes transferred.

**Table 18 – Sector Sizes**

<b>N</b>	<b>SECTOR SIZE</b>
00	128 bytes
01	256 bytes
02	512 bytes
03	1024 bytes
..	...
07	16 Kbytes

The amount of data which can be handled with a single command to the FDC depends upon MT (multi-track) and N (number of bytes/sector).

The Multi-Track function (MT) allows the FDC to read data from both sides of the diskette. For a particular cylinder, data will be transferred starting at Sector 1, Side 0 and completing the last sector of the same track at Side 1.

If the host terminates a read or write operation in the FDC, the ID information in the result phase is dependent upon the state of the MT bit and EOT byte. Refer to Table 19.

At the completion of the Read Data command, the head is not unloaded until after the Head Unload Time Interval (specified in the Specify command) has elapsed. If the host issues another command before the head unloads, then the head settling time may be saved between subsequent reads.

If the FDC detects a pulse on the nINDEX pin twice without finding the specified sector (meaning that the diskette's index hole passes through index detect logic in the drive twice), the FDC sets the IC code in Status Register 0 to "01" indicating abnormal termination, sets the ND bit in Status Register 1 to "1" indicating a sector not found, and terminates the Read Data Command.

After reading the ID and Data Fields in each sector, the FDC checks the CRC bytes. If a CRC error occurs in the ID or data field, the FDC sets the IC code in Status Register 0 to "01" indicating abnormal termination, sets the DE bit flag in Status Register 1 to "1", sets the DD bit in Status Register 2 to "1" if CRC is incorrect in the ID field, and terminates the Read Data Command. Table 20 describes the effect of the SK bit on the Read Data command

execution and results. Except where noted in Table 20, the C or R value of the sector address is automatically incremented (see Table 22).

**Table 19 – Effects of MT and N Bits**

MT	N	MAXIMUM TRANSFER CAPACITY	FINAL SECTOR READ FROM DISK
0	1	256 x 26 = 6,656	26 at side 0 or 1
1	1	256 x 52 = 13,312	26 at side 1
0	2	512 x 15 = 7,680	15 at side 0 or 1
1	2	512 x 30 = 15,360	15 at side 1
0	3	1024 x 8 = 8,192	8 at side 0 or 1
1	3	1024 x 16 = 16,384	16 at side 1

**Table 20 – Skip Bit vs Read Data Command**

SK BIT VALUE	DATA ADDRESS MARK TYPE ENCOUNTERED	RESULTS		
		SECTOR READ?	CM BIT OF ST2 SET?	DESCRIPTION OF RESULTS
0	Normal Data	Yes	No	Normal termination.
0	Deleted Data	Yes	Yes	Address not incremented. Next sector not searched for.
1	Normal Data	Yes	No	Normal termination.
1	Deleted Data	No	Yes	Normal termination. Sector not read (“skipped”).

#### Read Deleted Data

This command is the same as the Read Data command, only it operates on sectors that contain a Deleted Data Address Mark at the beginning of a Data Field.

Table 21 describes the effect of the SK bit on the Read Deleted Data command execution and results. Except where noted in Table 21, the C or R value of the sector address is automatically incremented (see Table 22).

**Table 21 – Skip Bit vs. Read Deleted Data Command**

SK BIT VALUE	DATA ADDRESS MARK TYPE ENCOUNTERED	RESULTS		
		SECTOR READ?	CM BIT OF ST2 SET?	DESCRIPTION OF RESULTS
0	Normal Data	Yes	Yes	Address not incremented. Next sector not searched for.
0	Deleted Data	Yes	No	Normal termination.
1	Normal Data	No	Yes	Normal termination. Sector not read (“skipped”).
1	Deleted Data	Yes	No	Normal termination.

#### Read A Track

This command is similar to the Read Data command except that the entire data field is read continuously from each of the sectors of a track. Immediately after encountering a pulse on the nINDEX pin, the FDC starts to read all data

fields on the track as continuous blocks of data without regard to logical sector numbers. If the FDC finds an error in the ID or DATA CRC check bytes, it continues to read data from the track and sets the appropriate error bits at the end of the command. The FDC compares the ID information read from each sector with the specified value in the command and sets the ND flag of Status Register 1 to a "1" if there no comparison. Multi-track or skip operations are not allowed with this command. The MT and SK bits (bits D7 and D5 of the first command byte respectively) should always be set to "0".

This command terminates when the EOT specified number of sectors has not been read. If the FDC does not find an ID Address Mark on the diskette after the second occurrence of a pulse on the nINDEX pin, then it sets the IC code in Status Register 0 to "01" (abnormal termination), sets the MA bit in Status Register 1 to "1", and terminates the command.

**Table 22 – Result Phase Table**

MT	HEAD	FINAL SECTOR TRANSFERRED TO HOST	ID INFORMATION AT RESULT PHASE			
			C	H	R	N
0	0	Less than EOT	NC	NC	R + 1	NC
		Equal to EOT	C + 1	NC	01	NC
	1	Less than EOT	NC	NC	R + 1	NC
		Equal to EOT	C + 1	NC	01	NC
1	0	Less than EOT	NC	NC	R + 1	NC
		Equal to EOT	NC	LSB	01	NC
	1	Less than EOT	NC	NC	R + 1	NC
		Equal to EOT	C + 1	LSB	01	NC

NC: No Change, the same value as the one at the beginning of command execution.

LSB: Least Significant Bit, the LSB of H is complemented.

### Write Data

After the Write Data command has been issued, the FDC loads the head (if it is in the unloaded state), waits the specified head load time if unloaded (defined in the Specify command), and begins reading ID fields. When the sector address read from the diskette matches the sector address specified in the command, the FDC reads the data from the host via the FIFO and writes it to the sector's data field.

After writing data into the current sector, the FDC computes the CRC value and writes it into the CRC field at the end of the sector transfer. The Sector Number stored in "R" is incremented by one, and the FDC continues writing to the next data field. The FDC continues this "Multi-Sector Write Operation". Upon receipt of a terminal count signal or if a FIFO over/under run occurs while a data field is being written, then the remainder of the data field is filled with zeros. The FDC reads the ID field of each sector and checks the CRC bytes. If it detects a CRC error in one of the ID fields, it sets the IC code in Status Register 0 to "01" (abnormal termination), sets the DE bit of Status Register 1 to "1", and terminates the Write Data command.

The Write Data command operates in much the same manner as the Read Data command. The following items are the same. Please refer to the Read Data Command for details:

- Transfer Capacity
- EN (End of Cylinder) bit
- ND (No Data) bit
- Head Load, Unload Time Interval
- ID information when the host terminates the command

Definition of DTL when N = 0 and when N does not = 0

### Write Deleted Data

This command is almost the same as the Write Data command except that a Deleted Data Address Mark is written at the beginning of the Data Field instead of the normal Data Address Mark. This command is typically used to mark a bad sector containing an error on the floppy disk.



## Verify

The Verify command is used to verify the data stored on a disk. This command acts exactly like a Read Data command except that no data is transferred to the host. Data is read from the disk and CRC is computed and checked against the previously-stored value.

Because data is not transferred to the host, the TC cycle cannot be used to terminate this command. By setting the EC bit to "1", an implicit TC will be issued to the FDC. This implicit TC will occur when the SC value has decremented to 0 (an SC value of 0 will verify 256 sectors). This command can also be terminated by setting the EC bit to "0" and the EOT value equal to the final sector to be checked. If EC is set to "0", DTL/SC should be programmed to 0FFH. Refer to Table 22 and Table 23 for information concerning the values of MT and EC versus SC and EOT value.

Definitions:

# Sectors Per Side = Number of formatted sectors per each side of the disk.

# Sectors Remaining = Number of formatted sectors left which can be read, including side 1 of the disk if MT is set to "1".

**Table 23 – Verify Command Result Phase Table**

MT	EC	SC/EOT VALUE	TERMINATION RESULT
0	0	SC = DTL EOT <= # Sectors Per Side	Success Termination Result Phase Valid
0	0	SC = DTL EOT > # Sectors Per Side	Unsuccessful Termination Result Phase Invalid
0	1	SC <= # Sectors Remaining AND EOT <= # Sectors Per Side	Successful Termination Result Phase Valid
0	1	SC > # Sectors Remaining OR EOT > # Sectors Per Side	Unsuccessful Termination Result Phase Invalid
1	0	SC = DTL EOT <= # Sectors Per Side	Successful Termination Result Phase Valid
1	0	SC = DTL EOT > # Sectors Per Side	Unsuccessful Termination Result Phase Invalid
1	1	SC <= # Sectors Remaining AND EOT <= # Sectors Per Side	Successful Termination Result Phase Valid
1	1	SC > # Sectors Remaining OR EOT > # Sectors Per Side	Unsuccessful Termination Result Phase Invalid

**Note:** If MT is set to "1" and the SC value is greater than the number of remaining formatted sectors on Side 0, verifying will continue on Side 1 of the disk.

## Format A Track

The Format command allows an entire track to be formatted. After a pulse from the nINDEX pin is detected, the FDC starts writing data on the disk including gaps, address marks, ID fields, and data fields per the IBM System 34 or 3740 format (MFM or FM respectively). The particular values that will be written to the gap and data field are controlled by the values programmed into N, SC, GPL, and D which are specified by the host during the command phase. The data field of the sector is filled with the data byte specified by D. The ID field for each sector is supplied by the host; that is, four data bytes per sector are needed by the FDC for C, H, R, and N (cylinder, head, sector number and sector size respectively).

After formatting each sector, the host must send new values for C, H, R and N to the FDC for the next sector on the track. The R value (sector number) is the only value that must be changed by the host after each sector is formatted. This allows the disk to be formatted with nonsequential sector addresses (interleaving). This incrementing and formatting continues for the whole track until the FDC encounters a pulse on the nINDEX pin again and it terminates the command.

Table 24 contains typical values for gap fields which are dependent upon the size of the sector and the number of sectors on each track. Actual values can vary due to drive electronics.

### FORMAT FIELDS

#### SYSTEM 34 (DOUBLE DENSITY) FORMAT

GAP4a 80x 4E	SYNC 12x 00	IAM		GAP1 50x 4E	SYNC 12x 00	IDAM		C Y L	H D	S E C	N O	C R C	GAP2 22x 4E	SYNC 12x 00	DATA AM		DATA	C R C	GAP3	GAP 4b
		3x C2	FC			3x A1	FE								3x A1	FB F8				

#### SYSTEM 3740 (SINGLE DENSITY) FORMAT

GAP4a 40x FF	SYNC 6x 00	IAM		GAP1 26x FF	SYNC 6x 00	IDAM		C Y L	H D	S E C	N O	C R C	GAP2 11x FF	SYNC 6x 00	DATA AM		DATA	C R C	GAP3	GAP 4b
		FC				FE									FB or F8					

#### PERPENDICULAR FORMAT

GAP4a 80x 4E	SYNC 12x 00	IAM		GAP1 50x 4E	SYNC 12x 00	IDAM		C Y L	H D	S E C	N O	C R C	GAP2 41x 4E	SYNC 12x 00	DATA AM		DATA	C R C	GAP3	GAP 4b
		3x C2	FC			3x A1	FE								3x A1	FB F8				

**Table 24 – Typical Values for Formatting**

	FORMAT	SECTOR SIZE	N	SC	GPL1	GPL2
<b>5.25" Drives</b>	FM	128	00	12	07	09
		128	00	10	10	19
		512	02	08	18	30
		1024	03	04	46	87
		2048	04	02	C8	FF
		4096	05	01	C8	FF
	...	...	...	...	...	...
	MFM	256	01	12	0A	0C
		256	01	10	20	32
		512*	02	09	2A	50
		1024	03	04	80	F0
		2048	04	02	C8	FF
4096		05	01	C8	FF	
...	...	...	...	...	...	
<b>3.5" Drives</b>	FM	128	0	0F	07	1B
		256	1	09	0F	2A
		512	2	05	1B	3A
	MFM	256	1	0F	0E	36
		512**	2	09	1B	54
		1024	3	05	35	74

GPL1 = suggested GPL values in Read and Write commands to avoid splice point between data field and ID field of contiguous sections.

GPL2 = suggested GPL value in Format A Track command.

\*PC/AT values (typical)

\*\*PS/2 values (typical). Applies with 1.0 MB and 2.0 MB drives.

**Note:** All values except sector size are in hex.

## CONTROL COMMANDS

Control commands differ from the other commands in that no data transfer takes place. Three commands generate an interrupt when complete: Read ID, Recalibrate, and Seek. The other control commands do not generate an interrupt.

### Read ID

The Read ID command is used to find the present position of the recording heads. The FDC stores the values from the first ID field it is able to read into its registers. If the FDC does not find an ID address mark on the diskette after the second occurrence of a pulse on the nINDEX pin, it then sets the IC code in Status Register 0 to "01" (abnormal termination), sets the MA bit in Status Register 1 to "1", and terminates the command.

The following commands will generate an interrupt upon completion. They do not return any result bytes. It is highly recommended that control commands be followed by the Sense Interrupt Status command. Otherwise, valuable interrupt status information will be lost.

### Recalibrate

This command causes the read/write head within the FDC to retract to the track 0 position. The FDC clears the contents of the PCN counter and checks the status of the nTRK0 pin from the FDD. As long as the nTRK0 pin is low, the DIR pin remains 0 and step pulses are issued. When the nTRK0 pin goes high, the SE bit in Status Register 0 is set to "1" and the command is terminated. If the nTRK0 pin is still low after 255 step pulses have been issued, the FDC sets the SE and the EC bits of Status Register 0 to "1" and terminates the command. Disks capable of handling more than 256 tracks per side may require more than one Recalibrate command to return the head back to physical Track 0.

The Recalibrate command does not have a result phase. The Sense Interrupt Status command must be issued after the Recalibrate command to effectively terminate it and to provide verification of the head position (PCN). During the command phase of the recalibrate operation, the FDC is in the BUSY state, but during the execution phase it is in a NON-BUSY state. At this time, another Recalibrate command may be issued, and in this manner parallel Recalibrate operations may be done on up to four drives at once. Upon power up, the software must issue a Recalibrate command to properly initialize all drives and the controller.

### Seek

The read/write head within the drive is moved from track to track under the control of the Seek command. The FDC compares the PCN, which is the current head position, with the NCN and performs the following operation if there is a difference:

PCN < NCN:	Direction signal to drive set to "1" (step in) and issues step pulses.
PCN > NCN:	Direction signal to drive set to "0" (step out) and issues step pulses.

The rate at which step pulses are issued is controlled by SRT (Stepping Rate Time) in the Specify command. After each step pulse is issued, NCN is compared against PCN, and when NCN = PCN the SE bit in Status Register 0 is set to "1" and the command is terminated. During the command phase of the seek or recalibrate operation, the FDC is in the BUSY state, but during the execution phase it is in the NON-BUSY state. At this time, another Seek or Recalibrate command may be issued, and in this manner, parallel seek operations may be done on up to four drives at once.

Note that if implied seek is not enabled, the read and write commands should be preceded by:

- 1) Seek command - Step to the proper track
- 2) Sense Interrupt Status command - Terminate the Seek command
- 3) Read ID - Verify head is on proper track
- 4) Issue Read/Write command.

The Seek command does not have a result phase. Therefore, it is highly recommended that the Sense Interrupt Status command is issued after the Seek command to terminate it and to provide verification of the head position (PCN). The H bit (Head Address) in ST0 will always return to a "0". When exiting POWERDOWN mode, the FDC clears the PCN value and the status information to zero. Prior to issuing the POWERDOWN command, it is highly recommended that the user service all pending interrupts through the Sense Interrupt Status command.

### Sense Interrupt Status

An interrupt signal is generated by the FDC for one of the following reasons:

1. Upon entering the Result Phase of:
  - a. Read Data command
  - b. Read A Track command
  - c. Read ID command
  - d. Read Deleted Data command
  - e. Write Data command
  - f. Format A Track command
  - g. Write Deleted Data command
  - h. Verify command

2. End of Seek, Relative Seek, or Recalibrate command

The Sense Interrupt Status command resets the interrupt signal and, via the IC code and SE bit of Status Register 0, identifies the cause of the interrupt.

**Table 25 – Interrupt Identification**

SE	IC	INTERRUPT DUE TO
0	11	Polling
1	00	Normal termination of Seek or Recalibrate command
1	01	Abnormal termination of Seek or Recalibrate command

The Seek, Relative Seek, and Recalibrate commands have no result phase. The Sense Interrupt Status command must be issued immediately after these commands to terminate them and to provide verification of the head position (PCN). The H (Head Address) bit in ST0 will always return a "0". If a Sense Interrupt Status is not issued, the drive will continue to be BUSY and may affect the operation of the next command.

### Sense Drive Status

Sense Drive Status obtains drive status information. It has no execution phase and goes directly to the result phase from the command phase. Status Register 3 contains the drive status information.

### Specify

The Specify command sets the initial values for each of the three internal times. The HUT (Head Unload Time) defines the time from the end of the execution phase of one of the read/write commands to the head unload state. The SRT (Step Rate Time) defines the time interval between adjacent step pulses. Note that the spacing between the first and second step pulses may be shorter than the remaining step pulses. The HLT (Head Load Time) defines the time between when the Head Load signal goes high and the read/write operation starts. The values change with the data rate speed selection and are documented in Table 26. The values are the same for MFM and FM.

DMA operation is selected by the ND bit. When ND is "0", the DMA mode is selected. This part does not support non-DMA mode. In DMA mode, data transfers are signaled by the DMA request cycles.

## Configure

The Configure command is issued to select the special features of the FDC. A Configure command need not be issued if the default values of the FDC meet the system requirements.

**Table 26 – Drive Control Delays (ms)**

	HUT					SRT				
	2M	1M	500K	300K	250K	2M	1M	500K	300K	250K
0	64	128	256	426	512	4	8	16	26.7	32
1	4	8	16	26.7	32	3.75	7.5	15	25	30
..	..	..	..	..	..	..	..	..	..	..
E	56	112	224	373	448	0.5	1	2	3.33	4
F	60	120	240	400	480	0.25	0.5	1	1.67	2

	HLT				
	2M	1M	500K	300K	250K
00	64	128	256	426	512
01	0.5	1	2	3.3	4
02	1	2	4	6.7	8
..	..	..	..	..	..
7F	63	126	252	420	504
7F	63.5	127	254	423	508

Configure Default Values:

EIS - No Implied Seeks

EFIFO - FIFO Disabled

POLL - Polling Enabled

FIFOTHR - FIFO Threshold Set to 1 Byte

PRETRK - Pre-Compensation Set to Track 0

EIS - Enable Implied Seek. When set to "1", the FDC will perform a Seek operation before executing a read or write command. Defaults to no implied seek.

EFIFO - A "1" disables the FIFO (default). This means data transfers are asked for on a byte-by-byte basis. Defaults to "1", FIFO disabled. The threshold defaults to "1".

POLL - Disable polling of the drives. Defaults to "0", polling enabled. When enabled, a single interrupt is generated after a reset. No polling is performed while the drive head is loaded and the head unload delay has not expired.

FIFOTHR - The FIFO threshold in the execution phase of read or write commands. This is programmable from 1 to 16 bytes. Defaults to one byte. A "00" selects one byte; "0F" selects 16 bytes.

PRETRK - Pre-Compensation Start Track Number. Programmable from track 0 to 255. Defaults to track 0. A "00" selects track 0; "FF" selects track 255.

## Version

The Version command checks to see if the controller is an enhanced type or the older type (765A). A value of 90 H is returned as the result byte.

## Relative Seek

The command is coded the same as for Seek, except for the MSB of the first byte and the DIR bit.

DIR Head Step Direction Control

RCN Relative Cylinder Number that determines how many tracks to step the head in or out from the current track number.

DIR	ACTION
0	Step Head Out
1	Step Head In

The Relative Seek command differs from the Seek command in that it steps the head the absolute number of tracks specified in the command instead of making a comparison against an internal register. The Seek command is good for drives that support a maximum of 256 tracks. Relative Seeks cannot be overlapped with other Relative Seeks. Only one Relative Seek can be active at a time. Relative Seeks may be overlapped with Seeks and Recalibrates. Bit 4 of Status Register 0 (EC) will be set if Relative Seek attempts to step outward beyond Track 0.

As an example, assume that a floppy drive has 300 useable tracks. The host needs to read track 300 and the head is on any track (0-255). If a Seek command is issued, the head will stop at track 255. If a Relative Seek command is issued, the FDC will move the head the specified number of tracks, regardless of the internal cylinder position register (but will increment the register). If the head was on track 40 (D), the maximum track that the FDC could position the head on using Relative Seek will be 295 (D), the initial track + 255 (D). The maximum count that the head can be moved with a single Relative Seek command is 255 (D).

The internal register, PCN, will overflow as the cylinder number crosses track 255 and will contain 39 (D). The resulting PCN value is thus (RCN + PCN) mod 256. Functionally, the FDC starts counting from 0 again as the track number goes above 255 (D). It is the user's responsibility to compensate FDC functions (precompensation track number) when accessing tracks greater than 255. The FDC does not keep track that it is working in an "extended track area" (greater than 255). Any command issued will use the current PCN value except for the Recalibrate command, which only looks for the TRACK0 signal. Recalibrate will return an error if the head is farther than 255 due to its limitation of issuing a maximum of 256 step pulses. The user simply needs to issue a second Recalibrate command. The Seek command and implied seeks will function correctly within the 44 (D) track (299-255) area of the "extended track area". It is the user's responsibility not to issue a new track position that will exceed the maximum track that is present in the extended area.

To return to the standard floppy range (0-255) of tracks, a Relative Seek should be issued to cross the track 255 boundary.

A Relative Seek can be used instead of the normal Seek, but the host is required to calculate the difference between the current head location and the new (target) head location. This may require the host to issue a Read ID command to ensure that the head is physically on the track that software assumes it to be. Different FDC commands will return different cylinder results which may be difficult to keep track of with software without the Read ID command.

### Perpendicular Mode

The Perpendicular Mode command should be issued prior to executing Read/Write/Format commands that access a disk drive with perpendicular recording capability. With this command, the length of the Gap2 field and VCO enable timing can be altered to accommodate the unique requirements of these drives. Table 27 describes the effects of the WGATE and GAP bits for the Perpendicular Mode command. Upon a reset, the FDC will default to the conventional mode (WGATE = 0, GAP = 0).

Selection of the 500 Kbps and 1 Mbps perpendicular modes is independent of the actual data rate selected in the Data Rate Select Register. The user must ensure that these two data rates remain consistent.

The Gap2 and VCO timing requirements for perpendicular recording type drives are dictated by the design of the read/write head. In the design of this head, a pre-erase head precedes the normal read/write head by a distance of 200 micrometers. This works out to about 38 bytes at a 1 Mbps recording density. Whenever the write head is enabled by the Write Gate signal, the pre-erase head is also activated at the same time. Thus, when the write head is initially turned on, flux transitions recorded on the media for the first 38 bytes will not be preconditioned with the pre-erase head since it has not yet been activated. To accommodate this head activation and deactivation time, the Gap2 field is expanded to a length of 41 bytes. The Format Fields table illustrates the change in the Gap2 field size for the perpendicular format.

On the read back by the FDC, the controller must begin synchronization at the beginning of the sync field. For the conventional mode, the internal PLL VCO is enabled (VCOEN) approximately 24 bytes from the start of the Gap2 field. But, when the controller operates in the 1 Mbps perpendicular mode (WGATE = 1, GAP = 1), VCOEN goes active after 43 bytes to accommodate the increased Gap2 field size. For both cases, and approximate two-byte cushion is maintained from the beginning of the sync field for the purposes of avoiding write splices in the presence of motor speed variation.

For the Write Data case, the FDC activates Write Gate at the beginning of the sync field under the conventional mode. The controller then writes a new sync field, data address mark, data field, and CRC. With the pre-erase head of the perpendicular drive, the write head must be activated in the Gap2 field to insure a proper write of the new sync field. For the 1 Mbps perpendicular mode (WGATE = 1, GAP = 1), 38 bytes will be written in the Gap2 space. Since the bit density is proportional to the data rate, 19 bytes will be written in the Gap2 field for the 500 Kbps perpendicular mode (WGATE = 1, GAP = 0).

It should be noted that none of the alterations in Gap2 size, VCO timing, or Write Gate timing affect normal program flow. The information provided here is just for background purposes and is not needed for normal operation. Once the Perpendicular Mode command is invoked, FDC software behavior from the user standpoint is unchanged. The perpendicular mode command is enhanced to allow specific drives to be designated Perpendicular recording drives. This enhancement allows data transfers between Conventional and Perpendicular drives without having to issue Perpendicular mode commands between the accesses of the different drive types, nor having to change write pre-compensation values.

When both GAP and WGATE bits of the PERPENDICULAR MODE COMMAND are both programmed to “0” (Conventional mode), then D0, D1, D2, D3, and D4 can be programmed independently to “1” for that drive to be set automatically to Perpendicular mode. In this mode the following set of conditions also apply:

1. The GAP2 written to a perpendicular drive during a write operation will depend upon the programmed data rate.
2. The write pre-compensation given to a perpendicular mode drive will be 0ns.
3. For D0-D3 programmed to “0” for conventional mode drives any data written will be at the currently programmed write pre-compensation.

**Note:** Bits D0-D3 can only be overwritten when OW is programmed as a “1”. If either GAP or WGATE is a “1” then D0-D3 are ignored.

Software and hardware resets have the following effect on the PERPENDICULAR MODE COMMAND:

1. “Software” resets (via the DOR or DSR registers) will only clear GAP and WGATE bits to “0”. D0-D3 are unaffected and retain their previous value.
2. “Hardware” resets will clear all bits (GAP, WGATE and D0-D3) to “0”, i.e all conventional mode.

**Table 27 – Effects of WGATE and GAP Bits**

WGATE	GAP	MODE	LENGTH OF GAP2 FORMAT FIELD	PORTION OF GAP 2 WRITTEN BY WRITE DATA OPERATION
0	0	Conventional	22 Bytes	0 Bytes
0	1	Perpendicular (500 Kbps)	22 Bytes	19 Bytes
1	0	Reserved (Conventional)	22 Bytes	0 Bytes
1	1	Perpendicular (1 Mbps)	41 Bytes	38 Bytes

## LOCK

In order to protect systems with long DMA latencies against older application software that can disable the FIFO the LOCK Command has been added. This command should only be used by the FDC routines, and application software should refrain from using it. If an application calls for the FIFO to be disabled then the CONFIGURE command should be used.

The LOCK command defines whether the EFIFO, FIFOTHR, and PRETRK parameters of the CONFIGURE command can be RESET by the DOR and DSR registers. When the LOCK bit is set to logic “1” all subsequent “software RESETS by the DOR and DSR registers will not change the previously set parameters to their default values. All “hardware” RESET from the PCI\_RESET# pin will set the LOCK bit to logic “0” and return the EFIFO, FIFOTHR, and PRETRK to their default values. A status byte is returned immediately after issuing a LOCK command. This byte reflects the value of the LOCK bit set by the command byte.

## ENHANCED DUMPREG

The DUMPREG command is designed to support system run-time diagnostics and application software development and debug. To accommodate the LOCK command and the enhanced PERPENDICULAR MODE command the eighth byte of the DUMPREG command has been modified to contain the additional data from these two commands.

## COMPATIBILITY

The LPC47M192 was designed with software compatibility in mind. It is a fully backwards-compatible solution with the older generation 765A/B disk controllers. The FDC also implements on-board registers for compatibility with the PS/2, as well as PC/AT and PC/XT, floppy disk controller subsystems. After a hardware reset of the FDC, all registers, functions and enhancements default to a PC/AT, PS/2 or PS/2 Model 30 compatible operating mode, depending on how the IDENT and MFM bits are configured by the system BIOS.

### 7.4.5 DIRECT SUPPORT FOR TWO FLOPPY DRIVES

The MTR1# function is on pin 43. MTR1# is the second alternate function on the GP22 pin. Pin 43 has the IO12 buffer type.

The MTR1# function is selectable as open drain or push pull as MTR0# is through bit 6 of the FDD Mode Register in CRF0 of LD 0. This overrides the selection of the output type through bit 7 of the GPIO control register. It is also controlled by bit 7 of the FDD Mode Register.

The DS1# function is on pin 41. DS1# is the second alternate function on the GP21 pin. Pin 42 has IO12 buffer type.

The DS1# function is selectable as open drain or push pull as DS0# is through bit 6 of the FDD Mode Register in CRF0 of Logical Device 0. This overrides the selection of the output type through bit 7 of the GPIO control register. It is also controlled by bit 7 of the FDD Mode register.

See the Runtime Registers section for register information.

#### Disk Change Support for Second Floppy

Bit[1] in the Force Disk Change register supports the second floppy. Setting either of the Force Disk Change bits active forces the internal FDD nDSKCHG active when the appropriate drive has been selected. The Force Disk Change register is defined in the Runtime Registers section.

#### Force Write Protect Support for Second Floppy

Bit[0] in the Device Disable register and FDD Option register support floppy write protect.

See the Runtime Registers section for Device Disable register description and the Configuration Registers section for FDD Option register description.

### 7.4.6 FDC SWAP BIT

The FDC\_SWAP bit in the FDD Mode Register (configuration register 0xF0) can be used to swap Drive 0 and Drive 1. The FDC\_SWAP is defined as follows:

Bit[4] FDC\_SWAP  
0 = Do Not Swap (default)  
1 = Swap Drive 0 (nDS, nMTR pins) with Drive 1 (nDS, nMTR pins)

## 7.5 SERIAL PORT (UART)

The LPC47M192 incorporates two full function UARTs. They are compatible with the 16450, the 16450 ACE registers and the 16C550A. The UARTS perform serial-to-parallel conversion on received characters and parallel-to-serial conversion on transmit characters. The data rates are independently programmable from 460.8K baud down to 50 baud. The character options are programmable for 1 start; 1, 1.5 or 2 stop bits; even, odd, sticky or no parity; and prioritized interrupts. The UARTs each contain a programmable baud rate generator that is capable of dividing the input clock or crystal by a number from 1 to 65535. The UARTs are also capable of supporting the MIDI data rate. Refer to the Configuration Registers for information on disabling, power down and changing the base address of the UARTs. The interrupt from a UART is enabled by programming OUT2 of that UART to a logic "1". OUT2 being a logic "0" disables that UART's interrupt. The second UART also supports IrDA, HP-SIR and ASK-IR modes of operation.



**Note:** The UARTs 1 and 2 may be configured to share an interrupt. Refer to the Configuration section for more information.

## REGISTER DESCRIPTION

Addressing of the accessible registers of the Serial Port is shown below. The base addresses of the serial ports are defined by the configuration registers (see “Configuration” section). The Serial Port registers are located at sequentially increasing addresses above these base addresses. The LPC47M192 contains two serial ports, each of which contain a register set as described below.

**Table 28 – Addressing the Serial Port**

DLAB*	A2	A1	A0	REGISTER NAME
0	0	0	0	Receive Buffer (read)
0	0	0	0	Transmit Buffer (write)
0	0	0	1	Interrupt Enable (read/write)
X	0	1	0	Interrupt Identification (read)
X	0	1	0	FIFO Control (write)
X	0	1	1	Line Control (read/write)
X	1	0	0	Modem Control (read/write)
X	1	0	1	Line Status (read/write)
X	1	1	0	Modem Status (read/write)
X	1	1	1	Scratchpad (read/write)
1	0	0	0	Divisor LSB (read/write)
1	0	0	1	Divisor MSB (read/write)

\***Note:** DLAB is Bit 7 of the Line Control Register

The following section describes the operation of the registers.

### RECEIVE BUFFER REGISTER (RB)

**Address Offset = 0H, DLAB = 0, READ ONLY**

This register holds the received incoming data byte. Bit 0 is the least significant bit, which is transmitted and received first. Received data is double buffered; this uses an additional shift register to receive the serial data stream and convert it to a parallel 8 bit word which is transferred to the Receive Buffer register. The shift register is not accessible.

### TRANSMIT BUFFER REGISTER (TB)

**Address Offset = 0H, DLAB = 0, WRITE ONLY**

This register contains the data byte to be transmitted. The transmit buffer is double buffered, utilizing an additional shift register (not accessible) to convert the 8 bit data word to a serial format. This shift register is loaded from the Transmit Buffer when the transmission of the previous byte is complete.

### INTERRUPT ENABLE REGISTER (IER)

**Address Offset = 1H, DLAB = 0, READ/WRITE**

The lower four bits of this register control the enables of the five interrupt sources of the Serial Port interrupt. It is possible to totally disable the interrupt system by resetting bits 0 through 3 of this register. Similarly, setting the appropriate bits of this register to a high, selected interrupts can be enabled. Disabling the interrupt system inhibits the Interrupt Identification Register and disables any Serial Port interrupt out of the LPC47M192. All other system functions operate in their normal manner, including the Line Status and MODEM Status Registers. The contents of the Interrupt Enable Register are described below.

#### Bit 0

This bit enables the Received Data Available Interrupt (and timeout interrupts in the FIFO mode) when set to logic “1”.

#### **Bit 1**

This bit enables the Transmitter Holding Register Empty Interrupt when set to logic “1”.

#### **Bit 2**

This bit enables the Received Line Status Interrupt when set to logic “1”. The error sources causing the interrupt are Overrun, Parity, Framing and Break. The Line Status Register must be read to determine the source.

#### **Bit 3**

This bit enables the MODEM Status Interrupt when set to logic “1”. This is caused when one of the Modem Status Register bits changes state.

#### **Bits 4 through 7**

These bits are always logic “0”.

### **FIFO CONTROL REGISTER (FCR)**

**Address Offset = 2H, DLAB = X, WRITE**

This is a write only register at the same location as the IIR. This register is used to enable and clear the FIFOs, set the RCVR FIFO trigger level. Note: DMA is not supported. The UART1 and UART2 FCR's are shadowed in the UART1 FIFO Control Shadow Register (runtime register at offset 0x20) and UART2 FIFO Control Shadow Register (runtime register at offset 0x21).

#### **Bit 0**

Setting this bit to a logic “1” enables both the XMIT and RCVR FIFOs. Clearing this bit to a logic “0” disables both the XMIT and RCVR FIFOs and clears all bytes from both FIFOs. When changing from FIFO Mode to non-FIFO (16450) mode, data is automatically cleared from the FIFOs. This bit must be a 1 when other bits in this register are written to or they will not be properly programmed.

#### **Bit 1**

Setting this bit to a logic “1” clears all bytes in the RCVR FIFO and resets its counter logic to 0. The shift register is not cleared. This bit is self-clearing.

#### **Bit 2**

Setting this bit to a logic “1” clears all bytes in the XMIT FIFO and resets its counter logic to 0. The shift register is not cleared. This bit is self-clearing.

#### **Bit 3**

Writing to this bit has no effect on the operation of the UART. The RXRDY and TXRDY pins are not available on this chip.

#### **Bit 4,5**

Reserved

#### **Bit 6,7**

These bits are used to set the trigger level for the RCVR FIFO interrupt.

### **INTERRUPT IDENTIFICATION REGISTER (IIR)**

**Address Offset = 2H, DLAB = X, READ**

By accessing this register, the host CPU can determine the highest priority interrupt and its source. Four levels of priority interrupt exist. They are in descending order of priority:

1. Receiver Line Status (highest priority)
2. Received Data Ready
3. Transmitter Holding Register Empty
4. MODEM Status (lowest priority)

Information indicating that a prioritized interrupt is pending and the source of that interrupt is stored in the Interrupt Identification Register (refer to Interrupt Control Table). When the CPU accesses the IIR, the Serial Port freezes all interrupts and indicates the highest priority pending interrupt to the CPU. During this CPU access, even if the Serial Port records new interrupts, the current indication does not change until access is completed. The contents of the IIR are described below.

#### Bit 0

This bit can be used in either a hardwired prioritized or polled environment to indicate whether an interrupt is pending. When bit 0 is a logic “0”, an interrupt is pending and the contents of the IIR may be used as a pointer to the appropriate internal service routine. When bit 0 is a logic “1”, no interrupt is pending.

#### Bits 1 and 2

These two bits of the IIR are used to identify the highest priority interrupt pending as indicated by the Interrupt Control Table.

#### Bit 3

In non-FIFO mode, this bit is a logic “0”. In FIFO mode this bit is set along with bit 2 when a timeout interrupt is pending.

#### Bits 4 and 5

These bits of the IIR are always logic “0”.

#### Bits 6 and 7

These two bits are set when the FIFO CONTROL Register bit 0 equals 1.

Bit 7	Bit 6	RCVR FIFO Trigger Level (BYTES)
0	0	1
0	1	4
1	0	8
1	1	14

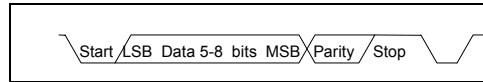
Table 29 – Interrupt Control Table

FIFO MODE ONLY	INTERRUPT IDENTIFICATION REGISTER			INTERRUPT SET AND RESET FUNCTIONS				
	BIT 3	BIT 2	BIT 1	BIT 0	PRIORITY LEVEL	INTERRUPT TYPE	INTERRUPT SOURCE	INTERRUPT RESET CONTROL
	0	0	0	1	-	None	None	-
	0	1	1	0	Highest	Receiver Line Status	Overrun Error, Parity Error, Framing Error or Break Interrupt	Reading the Line Status Register
	0	1	0	0	Second	Received Data Available	Receiver Data Available	Read Receiver Buffer or the FIFO drops below the trigger level.
	1	1	0	0	Second	Character Timeout Indication	No Characters Have Been Removed From or Input to the RCVR FIFO during the last 4 Char times and there is at least 1 char in it during this time	Reading the Receiver Buffer Register

FIFO MODE ONLY	INTERRUPT IDENTIFICATION REGISTER			INTERRUPT SET AND RESET FUNCTIONS			
	BIT 3	BIT 2	BIT 1	BIT 0	PRIORITY LEVEL	INTERRUPT TYPE	INTERRUPT SOURCE
0	0	1	0	Third	Transmitter Holding Register Empty	Transmitter Holding Register Empty	Reading the IIR Register (if Source of Interrupt) or Writing the Transmitter Holding Register
0	0	0	0	Fourth	MODEM Status	Clear to Send or Data Set Ready or Ring Indicator or Data Carrier Detect	Reading the MODEM Status Register

### LINE CONTROL REGISTER (LCR)

Address Offset = 3H, DLAB = 0, READ/WRITE



#### Serial Data

This register contains the format information of the serial line. The bit definitions are:

#### Bits 0 and 1

These two bits specify the number of bits in each transmitted or received serial character. The encoding of bits 0 and 1 is as follows:

The Start, Stop and Parity bits are not included in the word length.

BIT 1	BIT 0	WORD LENGTH
0	0	5 Bits
0	1	6 Bits
1	0	7 Bits
1	1	8 Bits

#### Bit 2

This bit specifies the number of stop bits in each transmitted or received serial character. The following table summarizes the information.

BIT 2	WORD LENGTH	NUMBER OF STOP BITS
0	--	1
1	5 bits	1.5
1	6 bits	2
1	7 bits	2
1	8 bits	2

**Note:** The receiver will ignore all stop bits beyond the first, regardless of the number used in transmitting.

#### Bit 3

Parity Enable bit. When bit 3 is a logic "1", a parity bit is generated (transmit data) or checked (receive data) between the last data word bit and the first stop bit of the serial data. (The parity bit is used to generate an even or odd number of 1s when the data word bits and the parity bit are summed).

#### Bit 4

Even Parity Select bit. When bit 3 is a logic "1" and bit 4 is a logic "0", an odd number of logic "1"s is transmitted or checked in the data word bits and the parity bit. When bit 3 is a logic "1" and bit 4 is a logic "1" an even number of bits is transmitted and checked.

#### Bit 5

This bit is the Stick Parity bit. When parity is enabled it is used in conjunction with bit 4 to select Mark or Space Parity. When LCR bits 3, 4 and 5 are 1 the Parity bit is transmitted and checked as a 0 (Space Parity). If bits 3 and 5 are 1 and bit 4 is a 0, then the Parity bit is transmitted and checked as 1 (Mark Parity). If bit 5 is 0 Stick Parity is disabled.

#### Bit 6

Set Break Control bit. When bit 6 is a logic "1", the transmit data output (TXD) is forced to the Spacing or logic "0" state and remains there (until reset by a low level bit 6) regardless of other transmitter activity. This feature enables the Serial Port to alert a terminal in a communications system.

#### Bit 7

Divisor Latch Access bit (DLAB). It must be set high (logic "1") to access the Divisor Latches of the Baud Rate Generator during read or write operations. It must be set low (logic "0") to access the Receiver Buffer Register, the Transmitter Holding Register, or the Interrupt Enable Register.

### MODEM CONTROL REGISTER (MCR)

#### Address Offset = 4H, DLAB = X, READ/WRITE

This 8 bit register controls the interface with the MODEM or data set (or device emulating a MODEM). The contents of the MODEM control register are described below.

#### Bit 0

This bit controls the Data Terminal Ready (nDTR) output. When bit 0 is set to a logic "1", the nDTR output is forced to a logic "0". When bit 0 is a logic "0", the nDTR output is forced to a logic "1".

#### Bit 1

This bit controls the Request To Send (nRTS) output. Bit 1 affects the nRTS output in a manner identical to that described above for bit 0.

#### Bit 2

This bit controls the Output 1 (OUT1) bit. This bit does not have an output pin and can only be read or written by the CPU.

#### Bit 3

Output 2 (OUT2). This bit is used to enable an UART interrupt. When OUT2 is a logic "0", the serial port interrupt output is forced to a high impedance state - disabled. When OUT2 is a logic "1", the serial port interrupt outputs are enabled.

#### Bit 4

This bit provides the loopback feature for diagnostic testing of the Serial Port. When bit 4 is set to logic "1", the following occur:

1. The TXD is set to the Marking State(logic "1").
2. The receiver Serial Input (RXD) is disconnected.
3. The output of the Transmitter Shift Register is "looped back" into the Receiver Shift Register input.
4. All MODEM Control inputs (nCTS, nDSR, nRI and nDCD) are disconnected.
5. The four MODEM Control outputs (nDTR, nRTS, OUT1 and OUT2) are internally connected to the four MODEM Control inputs (nDSR, nCTS, RI, DCD).
6. The Modem Control output pins are forced inactive high.
7. Data that is transmitted is immediately received.

This feature allows the processor to verify the transmit and receive data paths of the Serial Port. In the diagnostic mode, the receiver and the transmitter interrupts are fully operational. The MODEM Control Interrupts are also

operational but the interrupts' sources are now the lower four bits of the MODEM Control Register instead of the MODEM Control inputs. The interrupts are still controlled by the Interrupt Enable Register.

### Bits 5 through 7

These bits are permanently set to logic zero.

## LINE STATUS REGISTER (LSR)

Address Offset = 5H, DLAB = X, READ/WRITE

### Bit 0

Data Ready (DR). It is set to a logic "1" whenever a complete incoming character has been received and transferred into the Receiver Buffer Register or the FIFO. Bit 0 is reset to a logic "0" by reading all of the data in the Receive Buffer Register or the FIFO.

### Bit 1

Overrun Error (OE). Bit 1 indicates that data in the Receiver Buffer Register was not read before the next character was transferred into the register, thereby destroying the previous character. In FIFO mode, an overrun error will occur only when the FIFO is full and the next character has been completely received in the shift register, the character in the shift register is overwritten but not transferred to the FIFO. The OE indicator is set to a logic "1" immediately upon detection of an overrun condition, and reset whenever the Line Status Register is read.

### Bit 2

Parity Error (PE). Bit 2 indicates that the received data character does not have the correct even or odd parity, as selected by the even parity select bit. The PE is set to a logic "1" upon detection of a parity error and is reset to a logic "0" whenever the Line Status Register is read. In the FIFO mode this error is associated with the particular character in the FIFO it applies to. This error is indicated when the associated character is at the top of the FIFO.

### Bit 3

Framing Error (FE). Bit 3 indicates that the received character did not have a valid stop bit. Bit 3 is set to a logic "1" whenever the stop bit following the last data bit or parity bit is detected as a zero bit (Spacing level). The FE is reset to a logic "0" whenever the Line Status Register is read. In the FIFO mode this error is associated with the particular character in the FIFO it applies to. This error is indicated when the associated character is at the top of the FIFO. The Serial Port will try to resynchronize after a framing error. To do this, it assumes that the framing error was due to the next start bit, so it samples this 'start' bit twice and then takes in the 'data'.

### Bit 4

Break Interrupt (BI). Bit 4 is set to a logic "1" whenever the received data input is held in the Spacing state (logic "0") for longer than a full word transmission time (that is, the total time of the start bit + data bits + parity bits + stop bits). The BI is reset after the CPU reads the contents of the Line Status Register. In the FIFO mode this error is associated with the particular character in the FIFO it applies to. This error is indicated when the associated character is at the top of the FIFO. When break occurs only one zero character is loaded into the FIFO. Restarting after a break is received, requires the serial data (RXD) to be logic "1" for at least ½ bit time.

**Note:** Bits 1 through 4 are the error conditions that produce a Receiver Line Status Interrupt whenever any of the corresponding conditions are detected and the interrupt is enabled.

### Bit 5

Transmitter Holding Register Empty (THRE). Bit 5 indicates that the Serial Port is ready to accept a new character for transmission. In addition, this bit causes the Serial Port to issue an interrupt when the Transmitter Holding Register interrupt enable is set high. The THRE bit is set to a logic "1" when a character is transferred from the Transmitter Holding Register into the Transmitter Shift Register. The bit is reset to logic "0" whenever the CPU loads the Transmitter Holding Register. In the FIFO mode this bit is set when the XMIT FIFO is empty, it is cleared when at least 1 byte is written to the XMIT FIFO. Bit 5 is a read only bit.

### Bit 6

Transmitter Empty (TEMT). Bit 6 is set to a logic "1" whenever the Transmitter Holding Register (THR) and Transmitter Shift Register (TSR) are both empty. It is reset to logic "0" whenever either the THR or TSR contains a data character. Bit 6 is a read only bit. In the FIFO mode this bit is set whenever the THR and TSR are both empty,

#### **Bit 7**

This bit is permanently set to logic “0” in the 450 mode. In the FIFO mode, this bit is set to a logic “1” when there is at least one parity error, framing error or break indication in the FIFO. This bit is cleared when the LSR is read if there are no subsequent errors in the FIFO.

### **MODEM STATUS REGISTER (MSR)**

**Address Offset = 6H, DLAB = X, READ/WRITE**

This 8 bit register provides the current state of the control lines from the MODEM (or peripheral device). In addition to this current state information, four bits of the MODEM Status Register (MSR) provide change information. These bits are set to logic “1” whenever a control input from the MODEM changes state. They are reset to logic “0” whenever the MODEM Status Register is read.

#### **Bit 0**

Delta Clear To Send (DCTS). Bit 0 indicates that the nCTS input to the chip has changed state since the last time the MSR was read.

#### **Bit 1**

Delta Data Set Ready (DDSR). Bit 1 indicates that the nDSR input has changed state since the last time the MSR was read.

#### **Bit 2**

Trailing Edge of Ring Indicator (TERI). Bit 2 indicates that the nRI input has changed from logic “0” to logic “1”.

#### **Bit 3**

Delta Data Carrier Detect (DDCD). Bit 3 indicates that the nDCD input to the chip has changed state.

**Note:** Whenever bit 0, 1, 2, or 3 is set to a logic “1”, a MODEM Status Interrupt is generated.

#### **Bit 4**

This bit is the complement of the Clear To Send (nCTS) input. If bit 4 of the MCR is set to logic “1”, this bit is equivalent to nRTS in the MCR.

#### **Bit 5**

This bit is the complement of the Data Set Ready (nDSR) input. If bit 4 of the MCR is set to logic “1”, this bit is equivalent to DTR in the MCR.

#### **Bit 6**

This bit is the complement of the Ring Indicator (nRI) input. If bit 4 of the MCR is set to logic “1”, this bit is equivalent to OUT1 in the MCR.

#### **Bit 7**

This bit is the complement of the Data Carrier Detect (nDCD) input. If bit 4 of the MCR is set to logic “1”, this bit is equivalent to OUT2 in the MCR.

## SCRATCHPAD REGISTER (SCR)

Address Offset =7H, DLAB =X, READ/WRITE

This 8 bit read/write register has no effect on the operation of the Serial Port. It is intended as a scratchpad register to be used by the programmer to hold data temporarily.

## PROGRAMMABLE BAUD RATE GENERATOR (AND DIVISOR LATCHES DLH, DLL)

The Serial Port contains a programmable Baud Rate Generator that is capable of dividing the internal PLL clock by any divisor from 1 to 65535. The internal PLL clock is divided down to generate a 1.8462MHz frequency for Baud Rates less than 38.4k, a 1.8432MHz frequency for 115.2k, a 3.6864MHz frequency for 230.4k and a 7.3728MHz frequency for 460.8k. This output frequency of the Baud Rate Generator is 16x the Baud rate. Two 8 bit latches store the divisor in 16 bit binary format. These Divisor Latches must be loaded during initialization in order to insure desired operation of the Baud Rate Generator. Upon loading either of the Divisor Latches, a 16 bit Baud counter is immediately loaded. This prevents long counts on initial load. If a 0 is loaded into the BRG registers the output divides the clock by the number 3. If a 1 is loaded the output is the inverse of the input oscillator. If a two is loaded the output is a divide by 2 signal with a 50% duty cycle. If a 3 or greater is loaded the output is low for 2 bits and high for the remainder of the count. The input clock to the BRG is a 1.8462 MHz clock.

Table 30 shows the baud rates possible.

## Effect Of The Reset on Register File

The Reset Function (details the effect of the Reset input on each of the registers of the Serial Port.

## FIFO INTERRUPT MODE OPERATION

When the RCVR FIFO and receiver interrupts are enabled (FCR bit 0 = "1", IER bit 0 = "1"), RCVR interrupts occur as follows:

- A. The receive data available interrupt will be issued when the FIFO has reached its programmed trigger level; it is cleared as soon as the FIFO drops below its programmed trigger level.
- B. The IIR receive data available indication also occurs when the FIFO trigger level is reached. It is cleared when the FIFO drops below the trigger level.
- C. The receiver line status interrupt (IIR=06H), has higher priority than the received data available (IIR=04H) interrupt.
- D. The data ready bit (LSR bit 0) is set as soon as a character is transferred from the shift register to the RCVR FIFO. It is reset when the FIFO is empty.

When RCVR FIFO and receiver interrupts are enabled, RCVR FIFO timeout interrupts occur as follows:

- A. A FIFO timeout interrupt occurs if all the following conditions exist:
  - At least one character is in the FIFO.
  - The most recent serial character received was longer than 4 continuous character times ago. (If 2 stop bits are programmed, the second one is included in this time delay).
  - The most recent CPU read of the FIFO was longer than 4 continuous character times ago.

*This will cause a maximum character received to interrupt issued delay of 160 msec at 300 BAUD with a 12 bit character.*

- B. Character times are calculated by using the RCLK input for a clock signal (this makes the delay proportional to the baudrate).
- C. When a timeout interrupt has occurred it is cleared and the timer reset when the CPU reads one character from the RCVR FIFO.
- D. When a timeout interrupt has not occurred the timeout timer is reset after a new character is received or after the CPU reads the RCVR FIFO.

When the XMIT FIFO and transmitter interrupts are enabled (FCR bit 1 = "1", IER bit 1 = "1"), XMIT interrupts occur as follows:

- A. The transmitter holding register interrupt (02H) occurs when the XMIT FIFO is empty; it is cleared as soon as the transmitter holding register is written to (1 of 16 characters may be written to the XMIT FIFO while servicing this interrupt) or the IIR is read.
- B. The transmitter FIFO empty indications will be delayed 1 character time minus the last stop bit time whenever the following occurs: THRE=1 and there have not been at least two bytes at the same time in the transmitter FIFO since the last THRE=1. The transmitter interrupt after changing FCR0 will be immediate, if it is enabled.



Character timeout and RCVR FIFO trigger level interrupts have the same priority as the current received data available interrupt; XMIT FIFO empty has the same priority as the current transmitter holding register empty interrupt.

### FIFO POLLED MODE OPERATION

With FCR bit 0 = "1" resetting IER bits 0, 1, 2 or 3 or all to zero puts the UART in the FIFO Polled Mode of operation. Since the RCVR and XMITTER are controlled separately, either one or both can be in the polled mode of operation. In this mode, the user's program will check RCVR and XMITTER status via the LSR. LSR definitions for the FIFO Polled Mode are as follows:

- Bit 0=1 as long as there is one byte in the RCVR FIFO.
- Bits 1 to 4 specify which error(s) have occurred. Character error status is handled the same way as when in the interrupt mode, the IIR is not affected since EIR bit 2=0.
- Bit 5 indicates when the XMIT FIFO is empty.
- Bit 6 indicates that both the XMIT FIFO and shift register are empty.
- Bit 7 indicates whether there are any errors in the RCVR FIFO.

There is no trigger level reached or timeout condition indicated in the FIFO Polled Mode, however, the RCVR and XMIT FIFOs are still fully capable of holding characters.

**Table 30 - Baud Rates**

DESIRED BAUD RATE	DIVISOR USED TO GENERATE 16X CLOCK	PERCENT ERROR DIFFERENCE BETWEEN DESIRED AND ACTUAL <sup>1</sup>	HIGH SPEED BIT <sup>2</sup>
50	2304	0.001	X
75	1536	-	X
110	1047	-	X
134.5	857	0.004	X
150	768	-	X
300	384	-	X
600	192	-	X
1200	96	-	X
1800	64	-	X
2000	58	0.005	X
2400	48	-	X
3600	32	-	X
4800	24	-	X
7200	16	-	X
9600	12	-	X
19200	6	-	X
38400	3	0.030	X
57600	2	0.16	X
115200	1	0.16	X
230400	32770	0.16	1
460800	32769	0.16	1

**Note<sup>1</sup>:** The percentage error for all baud rates, except where indicated otherwise, is 0.2%.

**Note<sup>2</sup>:** The High Speed bit is located in the Device Configuration Space.

**Table 31 - Reset Function Table**

REGISTER/SIGNAL	RESET CONTROL	RESET STATE
Interrupt Enable Register	RESET	All bits low
Interrupt Identification Reg.	RESET	Bit 0 is high; Bits 1 - 7 low
FIFO Control	RESET	All bits low
Line Control Reg.	RESET	All bits low
MODEM Control Reg.	RESET	All bits low
Line Status Reg.	RESET	All bits low except 5, 6 high
MODEM Status Reg.	RESET	Bits 0 - 3 low; Bits 4 - 7 input

REGISTER/SIGNAL	RESET CONTROL	RESET STATE
TXD1, TXD2	RESET	High
INTRPT (RCVR errs)	RESET/Read LSR	Low
INTRPT (RCVR Data Ready)	RESET/Read RBR	Low
INTRPT (THRE)	RESET/ReadIIR/Write THR	Low
OUT2B	RESET	High
RTSB	RESET	High
DTRB	RESET	High
OUT1B	RESET	High
RCVR FIFO	RESET/ FCR1*FCR0/_FCR0	All Bits Low
XMIT FIFO	RESET/ FCR1*FCR0/_FCR0	All Bits Low

**Table 32 - Register Summary for an Individual UART Channel**

REGISTER ADDRESS*	REGISTER NAME	REGISTER SYMBOL	BIT 0	BIT 1
ADDR = 0 DLAB = 0	Receive Buffer Register (Read Only)	RBR	Data Bit 0 (Note 1)	Data Bit 1
ADDR = 0 DLAB = 0	Transmitter Holding Register (Write Only)	THR	Data Bit 0	Data Bit 1
ADDR = 1 DLAB = 0	Interrupt Enable Register	IER	Enable Received Data Available Interrupt (ERDAI)	Enable Transmitter Holding Register Empty Interrupt (ETHREI)
ADDR = 2	Interrupt Ident. Register (Read Only)	IIR	"0" if Interrupt Pending	Interrupt ID Bit
ADDR = 2	FIFO Control Register (Write Only)	FCR (Note 7)	FIFO Enable	RCVR FIFO Reset
ADDR = 3	Line Control Register	LCR	Word Length Select Bit 0 (WLS0)	Word Length Select Bit 1 (WLS1)
ADDR = 4	MODEM Control Register	MCR	Data Terminal Ready (DTR)	Request to Send (RTS)
ADDR = 5	Line Status Register	LSR	Data Ready (DR)	Overrun Error (OE)
ADDR = 6	MODEM Status Register	MSR	Delta Clear to Send (DCTS)	Delta Data Set Ready (DDSR)
ADDR = 7	Scratch Register (Note 4)	SCR	Bit 0	Bit 1
ADDR = 0 DLAB = 1	Divisor Latch (LS)	DDL	Bit 0	Bit 1
ADDR = 1 DLAB = 1	Divisor Latch (MS)	DLM	Bit 8	Bit 9

\*DLAB is Bit 7 of the Line Control Register (ADDR = 3).

**Note 1:** Bit 0 is the least significant bit. It is the first bit serially transmitted or received.

**Note 2:** When operating in the XT mode, this bit will be set any time that the transmitter shift register is empty.

**Table 32 - Register Summary for an Individual UART Channel (continued)**

BIT 2	BIT 3	BIT 4	BIT 5	BIT 6	BIT 7
Data Bit 2	Data Bit 3	Data Bit 4	Data Bit 5	Data Bit 6	Data Bit 7
Data Bit 2	Data Bit 3	Data Bit 4	Data Bit 5	Data Bit 6	Data Bit 7
Enable Receiver Line Status Interrupt (ELSI)	Enable MODEM Status Interrupt (EMSI)	0	0	0	0
Interrupt ID Bit	Interrupt ID Bit (Note 5)	0	0	FIFOs Enabled (Note 5)	FIFOs Enabled (Note 5)
XMIT FIFO Reset	DMA Mode Select (Note 6)	Reserved	Reserved	RCVR Trigger LSB	RCVR Trigger MSB
Number of Stop Bits (STB)	Parity Enable (PEN)	Even Parity Select (EPS)	Stick Parity	Set Break	Divisor Latch Access Bit (DLAB)
OUT1 (Note 3)	OUT2 (Note 3)	Loop	0	0	0
Parity Error (PE)	Framing Error (FE)	Break Interrupt (BI)	Transmitter Holding Register (THRE)	Transmitter Empty (TEMT) (Note 2)	Error in RCVR FIFO (Note 5)
Trailing Edge Ring Indicator (TERI)	Delta Data Carrier Detect (DDCD)	Clear to Send (CTS)	Data Set Ready (DSR)	Ring Indicator (RI)	Data Carrier Detect (DCD)
Bit 2	Bit 3	Bit 4	Bit 5	Bit 6	Bit 7
Bit 2	Bit 3	Bit 4	Bit 5	Bit 6	Bit 7
Bit 10	Bit 11	Bit 12	Bit 13	Bit 14	Bit 15

**Note 3:** This bit no longer has a pin associated with it.

**Note 4:** When operating in the XT mode, this register is not available.

**Note 5:** These bits are always zero in the non-FIFO mode.

**Note 6:** Writing a one to this bit has no effect. DMA modes are not supported in this chip.

**Note 7:** The UART1 and UART2 FCR's are shadowed in the UART1 FIFO Control Shadow Register (runtime register at offset 0x20) and UART2 FIFO Control Shadow Register (runtime register at offset 0x21).

## NOTES ON SERIAL PORT OPERATION

### TXD2 PIN

The inactive state of the TXD2 (pin 96) can be selected through the TXD2\_MODE bit, bit 5 of the Serial Port 2 Mode configuration register (at 0xF0 in LD5).

### FIFO MODE OPERATION:

#### GENERAL

The RCVR FIFO will hold up to 16 bytes regardless of which trigger level is selected.

#### TX AND RX FIFO OPERATION

The Tx portion of the UART transmits data through TXD as soon as the CPU loads a byte into the Tx FIFO. **The UART will prevent loads to the Tx FIFO if it currently holds 16 characters.** Loading to the Tx FIFO will again be enabled as soon as the next character is transferred to the Tx shift register. These capabilities account for the largely autonomous operation of the Tx.

The UART starts the above operations typically with a Tx interrupt. The chip issues a Tx interrupt whenever the Tx FIFO is empty and the Tx interrupt is enabled, except in the following instance. Assume that the Tx FIFO is empty and the CPU starts to load it. When the first byte enters the FIFO the Tx FIFO empty interrupt will transition from active to inactive. Depending on the execution speed of the service routine software, the UART may be able to transfer this byte from the FIFO to the shift register before the CPU loads another byte. If this happens, the Tx FIFO will be empty again and typically the UART's interrupt line would transition to the active state. This could cause a system with an interrupt control unit to record a Tx FIFO empty condition, even though the CPU is currently servicing that interrupt. **Therefore, after the first byte has been loaded into the FIFO the UART will wait one serial character transmission time before issuing a new Tx FIFO empty interrupt. This one character Tx interrupt delay will remain active until at least two bytes have the Tx FIFO empties after this condition, the Tx been loaded into the FIFO, concurrently. When interrupt will be activated without a one character delay.**

Rx support functions and operation are quite different from those described for the transmitter. The Rx FIFO receives data until the number of bytes in the FIFO equals the selected interrupt trigger level. At that time if Rx interrupts are enabled, the UART will issue an interrupt to the CPU. The Rx FIFO will continue to store bytes until it holds 16 of them. It will not accept any more data when it is full. Any more data entering the Rx shift register will set the Overrun Error flag. Normally, the FIFO depth and the programmable trigger levels will give the CPU ample time to empty the Rx FIFO before an overrun occurs.

One side-effect of having a Rx FIFO is that the selected interrupt trigger level may be above the data level in the FIFO. This could occur when data at the end of the block contains fewer bytes than the trigger level. No interrupt would be issued to the CPU and the data would remain in the UART. **To prevent the software from having to check for this situation the chip incorporates a timeout interrupt.**

The timeout interrupt is activated when there is a least one byte in the Rx FIFO, and neither the CPU nor the Rx shift register has accessed the Rx FIFO within 4 character times of the last byte. The timeout interrupt is cleared or reset when the CPU reads the Rx FIFO or another character enters it.

These FIFO related features allow optimization of CPU/UART transactions and are especially useful given the higher baud rate capability (256 kbaud).

## 7.6 INFRARED INTERFACE

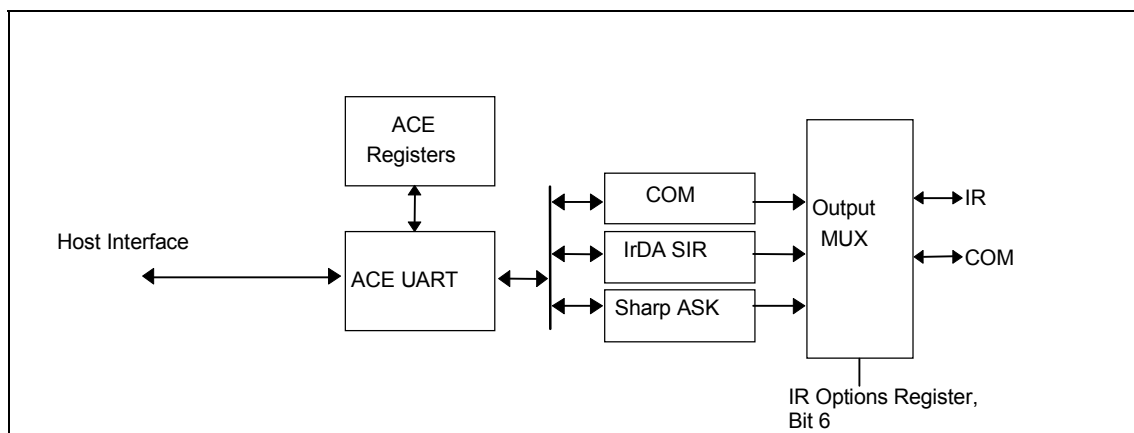
The infrared interface provides a two-way wireless communications port using infrared as a transmission medium. Two IR implementations have been provided for the second UART in this chip (logical device 5), IrDA and Amplitude Shift Keyed IR. The IR transmission can use the standard UART2 TXD2 and RXD2 pins or optional IRTX2 and IRRX2 pins. These can be selected through the configuration registers.

IrDA 1.0 allows serial communication at baud rates up to 115.2 kbps. Each word is sent serially beginning with a zero value start bit. A zero is signaled by sending a single IR pulse at the beginning of the serial bit time. A one is signaled by sending no IR pulse during the bit time. Please refer to the AC timing for the parameters of these pulses and the IrDA waveform.

The Amplitude Shift Keyed IR allows asynchronous serial communication at baud rates up to 19.2K Baud. Each word is sent serially beginning with a zero value start bit. A zero is signaled by sending a 500KHz waveform for the duration of the serial bit time. A one is signaled by sending no transmission during the bit time. Please refer to the AC timing for the parameters of the ASK-IR waveform.

If the Half Duplex option is chosen, there is a time-out when the direction of the transmission is changed. This time-out starts at the last bit transferred during a transmission and blocks the receiver input until the timeout expires. If the transmit buffer is loaded with more data before the time-out expires, the timer is restarted after the new byte is transmitted. If data is loaded into the transmit buffer while a character is being received, the transmission will not start until the time-out expires after the last receive bit has been received. If the start bit of another character is received during this time-out, the timer is restarted after the new character is received. The IR half duplex time-out is programmable via CRF2 in Logical Device 5. This register allows the time-out to be programmed to any value between 0 and 10msec in 100usec increments.

The following figure shows the block diagram of the IR components in the LPC47M192:



### IR Transmit Pins

The following description pertains to the TXD2/IRTX and IRTX2 pins of the LPC47M192.

Following a VTR POR, the IRTX and IRTX2 pins will be output and low. They will remain low until one of the following conditions are met:

IRTX2/GP35 Pin. This pin defaults to the IRTX2 function.

1. This pin will remain low following a VCC POR until IRTX2 function is selected for the pin, serial port 2 is enabled by setting the activate bit, at which time the pin will reflect the state of the transmit output of the IR block (if IR is enabled through the IR Option Register for Serial Port 2).
2. This pin will remain low following a VCC POR until the GPIO output function is selected for the pin, at which time the pin will reflect the state of the GPIO data bit if it is configured as an output.

GP53/TXD2(IRTX) Pin. This pin defaults to the GPIO output function.

1. This pin will remain low following a VCC POR until the TXD2 (IRTX) function is selected for the pin AND serial port 2 is enabled by setting the activate bit, at which time the pin will reflect the state of the IR transmit output of the IR block (if IR is enabled through the IR Option Register for Serial Port 2).

2. This pin will remain low following a VCC POR until the TXD2 function is selected for the pin AND serial port 2 is enabled by setting the activate bit, at which time the pin will reflect the state of the transmit output of serial port 2. Following a VCC POR, setting the TXD2\_MODE bit (bit 5 in Serial Port 2 Mode Register, 0xF0 in Logical Device 5 Configuration Registers) to '1' will change the state of the TXD2 pin from low to tristate, regardless of the function selected on the pin (GPIO or TXD2), regardless of the state of the activate bit for serial port 2 and regardless of the state of VCC. When VCC is removed from the part while the TXD2\_MODE bit is set to '1', the TXD2 pin will remain tristate unless a VTR POR occurs, which will reset the TXD2\_MODE bit.
3. This pin will remain low following a VCC POR until the corresponding GPIO data bit (GP5 register bit 3) is set or the polarity bit in the GP53 control register is set.

When Serial Port 2 is subsequently deactivated, the TXD2/IRTX pin will be driven low.

The TXD2\_MODE bit is implemented for modems that do not assert the ring indicator pin when TXD2 is sensed low. If required, this bit should be used as follows:

- When the activate bit for serial port 2 is cleared prior to entering a sleep state, set the TXD2\_MODE bit.
- When the activate bit for serial port 2 is set, upon exiting a sleep state clear the TXD2\_MODE bit.

The IRTX2 pin is not affected by the TXD2\_MODE bit.

## 7.7 MPU-401 MIDI UART

### 7.7.1 OVERVIEW

Serial Port 3 is used exclusively in the LPC47M192 as an MPU-401-compatible MIDI Interface. The LPC47M192 MPU-401 hardware includes a Host Interface, an MPU-401 command controller, configuration registers, and a compatible UART (FIGURE 2).

Each of these components are discussed in detail, below.

Only the MPU-401 UART (pass-through) mode is included in this implementation. MPU-401 UART mode is supported on the Sound Blaster 16 Series-compatible MIDI hardware. The Sound Blaster 16 hardware is supported by Microsoft Windows Operating Systems.

In MPU-401 UART mode, data is transferred without modification between the host and the MIDI device (UART). Once UART mode is entered using the UART MODE command (3Fh), the only MPU-401 command that the interface recognizes is RESET (FFh).

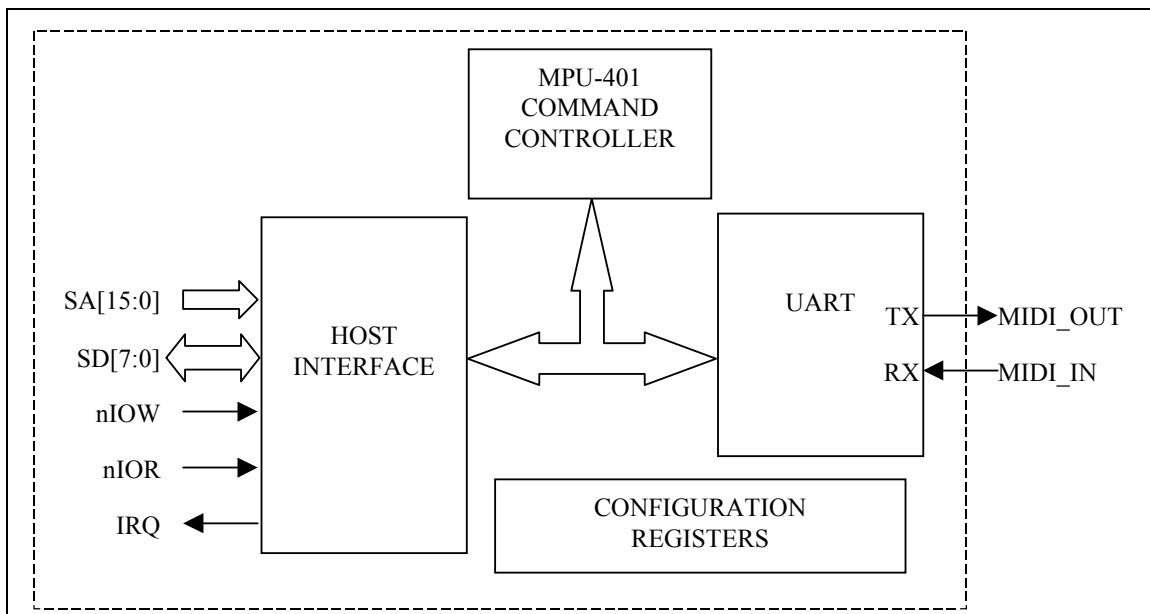


FIGURE 2 - MPU-401 MIDI INTERFACE

**Note:** This figure is for illustration purposes only and is not intended to suggest specific implementation details.

## 7.7.2 HOST INTERFACE

### Overview

The Host Interface includes two contiguous 8-bit run-time registers (the Status/Command Port and the Data Port), and an interrupt. For illustration purposes, the Host Interface block shown in FIGURE 2 uses standard ISA signaling. Address decoding and interrupt selection for the Host Interface are determined by device configuration registers (see Section “MPU-401 Configuration Registers”).

### I/O Addresses

The Sound Blaster 16 MPU-401 UART mode MIDI interface requires two consecutive I/O addresses with possible base I/O addresses of 300h and 330h. The default is 330h. The LPC47M192 MPU-401 I/O base address is programmable on even-byte boundaries throughout the entire I/O address range (see Section “Activate and I/O Base address”).

### Registers (Ports)

The run-time registers in the MPU-401 Host Interface are shown below in Table 33.

**Table 33 – MPU-401 HOST INTERFACE REGISTERS**

REGISTER NAME	ADDRESS	TYPE	DESCRIPTION
MIDI DATA	MPU-401 I/O Base Address	R/W	Used for MIDI transmit data, MIDI receive data, and MPU-401 command acknowledge.
STATUS	MPU-401 I/O Base Address + 1	R	Used to indicate the send/receive status of the MIDI Data port.
COMMAND	MPU-401 I/O Base Address + 1	W	Used for MPU-401 Commands.

### 7.7.3 MIDI DATA PORT

The MIDI Data port exchanges MIDI transmit and MIDI receive data between the MPU-401 UART interface and the host. The MIDI Data port is read/write (Table 34). The MIDI Data port is also used to return the command acknowledge byte ‘FEh’ following host writes to the COMMAND port.

The MIDI Data port is full-duplex; i.e., the transmit and receive buffers can be used simultaneously.

An interrupt is generated when either MIDI receive data or a command acknowledge is available to the host in the MIDI Data register. See Section “Bit 7 – MIDI Receive Buffer Empty” and “Interrupt”

**Table 34 - MIDI Data Port**

		MPU-401 I/O BASE ADDRESS								DEFAULT
		D7	D6	D5	D4	D3	D2	D1	D0	
TYPE		R/W	R/W	R/W	R/W	R/W	R/W	R/W	R/W	n/a
NAME	MIDI DATA/COMMAND-ACKNOWLEDGE REGISTER									

### 7.7.4 STATUS PORT

The Status port is used to indicate the state of the transmit and receive buffers in the MIDI Data port. The Status port is read-only (Table 35). Status port Bit 6 is MIDI Transmit Busy, Bit 7 is MIDI Receive Buffer Empty. The remaining bits in the Status port are RESERVED.

**Table 35 - MPU-401 STATUS PORT**

		MPU-401 I/O BASE ADDRESS+1								DEFAULT
		D7	D6	D5	D4	D3	D2	D1	D0	
TYPE		R	R	R	R	R	R	R	R	0x80
BIT NAME	MIDI RX BUFFER EMPTY	MIDI TX BUSY	0	0	0	0	0	0	0	

#### 7.7.4.1 Bit 7 – MIDI Receive Buffer Empty

Bit 7 MIDI Receive Buffer Empty indicates the read state of the MIDI Data port (Table 36). If the MRBE bit is ‘0’, MIDI Read/Command Acknowledge data is available to the host. If the MRBE bit is ‘1’, MIDI Read/Command Acknowledge data is NOT available to the host.

The MPU-401 Interrupt output is active '1' when the MIDI Receive Buffer Empty bit is '0'. The MPU-401 Interrupt output is inactive '0' when the MIDI Receive Buffer Empty bit is '1'. See Section "Interrupt" for more information.

**Table 36 – MIDI RECEIVE BUFFER EMPTY STATUS BIT**

STATUS PORT	DESCRIPTION
D7	
0	MIDI Read/Command Acknowledge data is available to the host.
1	MIDI Read/Command Acknowledge data is NOT available to the host.

**7.7.4.2 Bit 6 – MIDI Transmit Busy**

Bit 6 MIDI Transmit Busy indicates the send (write) state of the MIDI Data port and Command port (Table 37)

There are no interrupts associated with MIDI transmit (write) data.

**Table 37 - MIDI TRANSMIT BUSY STATUS BIT**

STATUS PORT	DESCRIPTION
D6	
0	The MPU-401 interface is ready to accept a data/command byte from the host.
1	The MPU-401 interface is NOT ready to accept a data/command byte from the host.

Bits[5:0]

RESERVED (Reserved bits cannot be written and return '0' when read).

**Command Port**

The Command port is used to transfer MPU-401 commands to the Command Controller. The Command port is write-only (Table 38). See Section "MPU-401 Command controller" below.

**Table 38 - MPU-401 COMMAND PORT**

		MPU-401 I/O BASE ADDRESS+1								
		D7	D6	D5	D4	D3	D2	D1	D0	DEFAULT
TYPE		W	W	W	W	W	W	W	W	n/a
NAME	COMMAND REGISTER									



## Interrupt

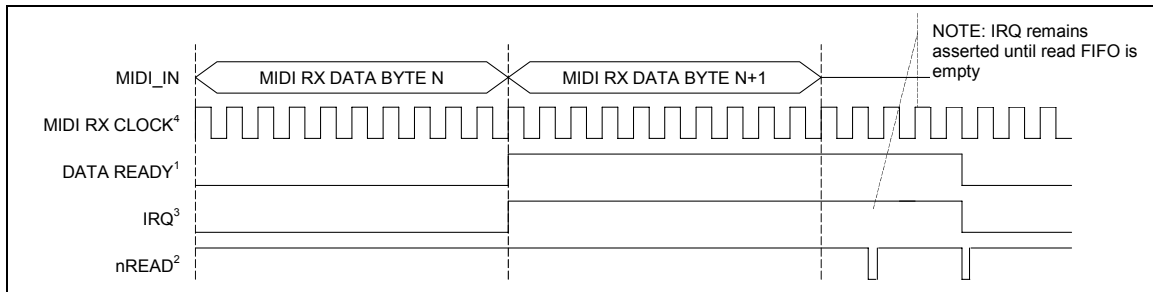
The MPU-401 IRQ is asserted ('1') when either MIDI receive data or a command acknowledge byte is available to the host in the MIDI data register (FIGURE 3). The IRQ is deasserted ('0') when the host reads the MIDI Data port.

**Note:** If, following a host read, data is still available in the 16C550A Receive FIFO, the IRQ will remain asserted ('1').

The IRQ is enabled when the 'Activate' bit in the MPU-401 configuration registers logical device block is asserted '1'. If the Activate bit is deasserted '0', the MPU-401 IRQ cannot be asserted (see Section "MPU-401 Configuration Registers").

The MPU-401 IRQ is not affected by MIDI write data, 16C550A transmit-related functions or Receiver Line Status interrupts.

The factory default Sound Blaster 16 MPU-401 IRQ is 5.



**FIGURE 3 - MPU-401 INTERRUPT**

**NOTE1** DATA READY represents the Data Ready bit B0 in the 16C550A UART Line Status Register.

**NOTE2** nREAD represents host read operations from the MIDI Data register.

**NOTE3** IRQ is the MPU-401 Host Interface IRQ shown in FIGURE 2. The 16C550A UART Receive FIFO Threshold=1.

**NOTE4** MIDI RX CLOCK is the MIDI bit clock. The MIDI bit clock period is 32μs.

## 7.7.5 MPU-401 COMMAND CONTROLLER

### Overview

Commands are written by the host to the MPU-401 MIDI Interface through the Command register (Table 33) and are immediately interpreted by the MPU-401 Command Controller shown in FIGURE 2. The MPU-401 Command Controller in this implementation only responds to the MPU-401 RESET (FFh) and UART MODE (3Fh) commands. All other commands are ignored.

Under certain conditions, the Command Controller acknowledges MPU-401 commands with a command acknowledge byte (FEh).

### RESET Command

The RESET command is FFh. The RESET command resets the MPU-401 MIDI Interface. Reset disables the MPU-401 UART MODE command, disables the 16C550A UART, clears the receive FIFO. The command controller places the command acknowledge byte 'FEh' in the MIDI Data port read buffer if the interface is not in the UART mode.

The RESET command is executed but not acknowledged when the command is received while the interface is in the UART mode.

When the MPU-401 is reset, receive data from the MIDI\_IN port as well as data written by the host to the MIDI Data port is ignored.

The MPU-401 MIDI Interface is reset following the RESET command or POR.

## UART MODE Command

The UART MODE command is 3Fh. The UART MODE command clears the 16C550A transmit and receive FIFOs, places the command acknowledge byte (FEh) in the MIDI Data port receive buffer, and enables the 16C550A UART for transmit and receive operations.

In UART mode, the MPU-401 Interface passes MIDI read and write data directly between the host (using the MIDI Data port) and the 16C550A UART Transmit and Receive buffers.

The MPU-401 Command Controller ignores the UART MODE command when the MPU-401 Interface is already in UART mode.

The MPU-401 RESET command is executed but not acknowledged by the MPU-401 Command Controller in UART MODE (see Section “RESET Command”, above).

### Command Acknowledge Byte

Under certain conditions, the command controller acknowledges the RESET and UART MODE commands with a command acknowledge byte (FEh).

The command acknowledge byte appears as read-data in the MIDI Data port.

**Note:** The command acknowledge byte will appear as the next available data byte in the receive buffer of the MIDI Data port. For example if the receive FIFO is not empty when an MPU-401 RESET command is received, the command acknowledge will appear first, before any unread FIFO data. In the examples above, the receive FIFO is cleared before the command acknowledge byte is placed in the MIDI Data port read buffer.

## 7.7.6 MIDI UART

### Overview

The UART is used to transmit and receive MIDI protocol data from the MIDI Data port in the Host Interface (see Section “Host Interface”).

The MIDI protocol requires 31.25k Baud ( $\pm 1\%$ ) and 10 bits total per frame: 1 start bit, 8 data bits, no parity, and 1 stop bit. For example, there are 320 microseconds per serial MIDI data byte. MIDI data is transferred LSB first (Figure 7).

The UART is configured in full-duplex mode for the MPU-401 MIDI Interface, with 16-byte send/receive FIFOs.

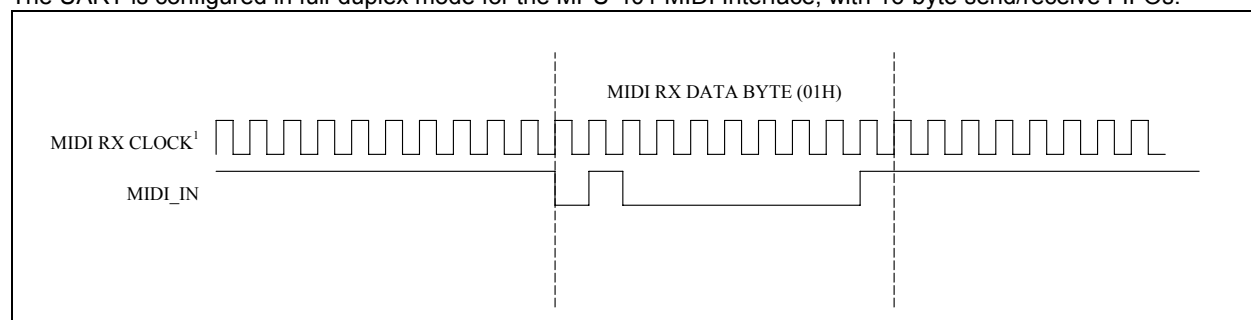


FIGURE 4 - MIDI DATA BYTE EXAMPLE

**Note**<sup>1</sup> MIDI RX CLOCK is the MIDI bit clock. The MIDI bit clock period is 32 $\mu$ s.

## 7.7.7 MPU-401 CONFIGURATION REGISTERS

The LPC47M192 configuration registers are in Logical Device B (see “Configuration” section). The configuration registers contain the MPU-401 Activate, Base Address and Interrupt select. The defaults for the Base Address and Interrupt Select configuration registers match the MPU-401 factory defaults.

### 7.7.7.1 Activate and I/O Base address

When the Activate bit D0 is '0', the MPU-401 I/O base address decoder is disabled, the IRQ is always deasserted, and the MPU-401 hardware is in a minimum power-consumption state. When the Activate bit is '1', the MPU-401 I/O base address decoder and the IRQ are enabled, and the MPU-401 hardware is fully powered.

Register 0x60 is the MPU-401 I/O Base Address High Byte, register 0x61 is the MPU-401 I/O Base Address Low Byte. The MPU-401 I/O base address is programmable on even-byte boundaries. The valid MPU-401 I/O base address range is 0x0100 – 0x0FFE. See Section "Host Interface".

## 7.8 PARALLEL PORT

The LPC47M192 incorporates an IBM XT/AT compatible parallel port. This supports the optional PS/2 type bi-directional parallel port (SPP), the Enhanced Parallel Port (EPP) and the Extended Capabilities Port (ECP) parallel port modes. Refer to the Configuration Registers for information on disabling, power down, changing the base address of the parallel port, and selecting the mode of operation.

The parallel port also incorporates SMSC's ChiProtect circuitry, which prevents possible damage to the parallel port due to printer power-up.

The functionality of the Parallel Port is achieved through the use of eight addressable ports, with their associated registers and control gating. The control and data port are read/write by the CPU, the status port is read/write in the EPP mode. The address map of the Parallel Port is shown below:

DATA PORT	BASE ADDRESS + 00H	EPP DATA PORT 0	BASE ADDRESS + 04H
STATUS PORT	BASE ADDRESS + 01H	EPP DATA PORT 1	BASE ADDRESS + 05H
CONTROL PORT	BASE ADDRESS + 02H	EPP DATA PORT 2	BASE ADDRESS + 06H
EPP ADDR PORT	BASE ADDRESS + 03H	EPP DATA PORT 3	BASE ADDRESS + 07H

The bit map of these registers is:

	D0	D1	D2	D3	D4	D5	D6	D7	Note
DATA PORT	PD0	PD1	PD2	PD3	PD4	PD5	PD6	PD7	1
STATUS PORT	TMOUT	0	0	nERR	SLCT	PE	nACK	nBUSY	1
CONTROL PORT	STROBE	AUTOFD	nINIT	SLC	IRQE	PCD	0	0	1
EPP ADDR PORT	PD0	PD1	PD2	PD3	PD4	PD5	PD6	PD7	2
EPP DATA PORT 0	PD0	PD1	PD2	PD3	PD4	PD5	PD6	PD7	2
EPP DATA PORT 1	PD0	PD1	PD2	PD3	PD4	PD5	PD6	PD7	2
EPP DATA PORT 2	PD0	PD1	PD2	PD3	PD4	PD5	PD6	PD7	2
EPP DATA PORT 3	PD0	PD1	PD2	PD3	PD4	PD5	PD6	PD7	2

**Note 1:** These registers are available in all modes.

**Note 2:** These registers are only available in EPP mode.

**Table 39 - Parallel Port Connector**

HOST CONNECTOR	PIN NUMBER	STANDARD	EPP	ECP
1	83	nSTROBE	nWrite	nStrobe
2-9	68-75	PD<0:7>	PData<0:7>	PData<0:7>
10	80	nACK	Intr	nAck
11	79	BUSY	nWait	Busy, PeriphAck(3)

HOST CONNECTOR	PIN NUMBER	STANDARD	EPP	ECP
12	78	PE	(User Defined)	PError, nAckReverse (3)
13	77	SLCT	(User Defined)	Select
14	82	nALF	nDataStb	nAutoFd, HostAck(3)
15	81	nERROR	(User Defined)	nFault (1) nPeriphRequest (3)
16	66	nINIT	nRESET	nInit(1) nReverseRqst(3)
17	67	nSLCTIN	nAddrstrb	nSelectIn(1,3)

(1) = Compatible Mode  
(3) = High Speed Mode

**Note:** For the cable interconnection required for ECP support and the Slave Connector pin numbers, refer to the IEEE 1284 Extended Capabilities Port Protocol and ISA Standard, Rev. 1.14, July 14, 1993. This document is available from Microsoft.

## 7.8.1 IBM XT/AT COMPATIBLE, BI-DIRECTIONAL AND EPP MODES

### DATA PORT

#### ADDRESS OFFSET = 00H

The Data Port is located at an offset of '00H' from the base address. The data register is cleared at initialization by RESET. During a WRITE operation, the Data Register latches the contents of the internal data bus. The contents of this register are buffered (non inverting) and output onto the PD0 - PD7 ports. During a READ operation in SPP mode, PD0 - PD7 ports are buffered (not latched) and output to the host CPU.

### STATUS PORT

#### ADDRESS OFFSET = 01H

The Status Port is located at an offset of '01H' from the base address. The contents of this register are latched for the duration of a read cycle. The bits of the Status Port are defined as follows:

#### BIT 0 TMOUT - TIME OUT

This bit is valid in EPP mode only and indicates that a 10 usec time out has occurred on the EPP bus. A logic 0 means that no time out error has occurred; a logic 1 means that a time out error has been detected. This bit is cleared by a RESET. If the TIMEOUT\_SELECT bit (bit 4 of the Parallel Port Mode Register 2, 0xF1 in Logical Device 3 Configuration Registers) is '0', writing a one to this bit clears the TMOUT status bit. Writing a zero to this bit has no effect. If the TIMEOUT\_SELECT bit (bit 4 of the Parallel Port Mode Register 2, 0xF1 in Logical Device 3 Configuration Registers) is '1', the TMOUT bit is cleared on the trailing edge of a read of the EPP Status Register.

**BITS 1, 2** - are not implemented as register bits, during a read of the Printer Status Register these bits are a low level.

#### BIT 3 nERR – nERROR

The level on the nERROR input is read by the CPU as bit 3 of the Printer Status Register. A logic 0 means an error has been detected; a logic 1 means no error has been detected.

#### BIT 4 SLT - PRINTER SELECTED STATUS

The level on the SLCT input is read by the CPU as bit 4 of the Printer Status Register. A logic 1 means the printer is on line; a logic 0 means it is not selected.

#### BIT 5 PE - PAPER END

The level on the PE input is read by the CPU as bit 5 of the Printer Status Register. A logic 1 indicates a paper end; a logic 0 indicates the presence of paper.

#### **BIT 6 nACK - ACKNOWLEDGE**

The level on the nACK input is read by the CPU as bit 6 of the Printer Status Register. A logic 0 means that the printer has received a character and can now accept another. A logic 1 means that it is still processing the last character or has not received the data.

#### **BIT 7 nBUSY - nBUSY**

The complement of the level on the BUSY input is read by the CPU as bit 7 of the Printer Status Register. A logic 0 in this bit means that the printer is busy and cannot accept a new character. A logic 1 means that it is ready to accept the next character.

#### **CONTROL PORT**

##### **ADDRESS OFFSET = 02H**

The Control Port is located at an offset of '02H' from the base address. The Control Register is initialized by the RESET input, bits 0 to 5 only being affected; bits 6 and 7 are hard wired low.

#### **BIT 0 STROBE - STROBE**

This bit is inverted and output onto the nSTROBE output.

#### **BIT 1 AUTOFD - AUTOFEED**

This bit is inverted and output onto the nAutoFd output. A logic 1 causes the printer to generate a line feed after each line is printed. A logic 0 means no autofeed.

#### **BIT 2 nINIT - INITIATE OUTPUT**

This bit is output onto the nINIT output without inversion.

#### **BIT 3 SLCTIN - PRINTER SELECT INPUT**

This bit is inverted and output onto the nSLCTIN output. A logic 1 on this bit selects the printer; a logic 0 means the printer is not selected.

#### **BIT 4 IRQE - INTERRUPT REQUEST ENABLE**

The interrupt request enable bit when set to a high level may be used to enable interrupt requests from the Parallel Port to the CPU. An interrupt request is generated on the IRQ port by a positive going nACK input. When the IRQE bit is programmed low the IRQ is disabled.

#### **BIT 5 PCD - PARALLEL CONTROL DIRECTION**

Parallel Control Direction is not valid in printer mode. In printer mode, the direction is always out regardless of the state of this bit. In bi-directional, EPP or ECP mode, a logic 0 means that the printer port is in output mode (write); a logic 1 means that the printer port is in input mode (read).

Bits 6 and 7 during a read are a low level, and cannot be written.

#### **EPP ADDRESS PORT**

##### **ADDRESS OFFSET = 03H**

The EPP Address Port is located at an offset of '03H' from the base address. The address register is cleared at initialization by RESET. During a WRITE operation, the contents of the internal data bus DB0-DB7 are buffered (non inverting) and output onto the PD0 - PD7 ports. An LPC I/O write cycle causes an EPP ADDRESS WRITE cycle to be performed, during which the data is latched for the duration of the EPP write cycle. During a READ operation, PD0 - PD7 ports are read. An LPC I/O read cycle causes an EPP ADDRESS READ cycle to be performed and the data output to the host CPU, the deassertion of ADDRSTB latches the PData for the duration of the read cycle. This register is only available in EPP mode.

#### **EPP DATA PORT 0**

##### **ADDRESS OFFSET = 04H**

The EPP Data Port 0 is located at an offset of '04H' from the base address. The data register is cleared at initialization by RESET. During a WRITE operation, the contents of the internal data bus DB0-DB7 are buffered (non inverting) and output onto the PD0 - PD7 ports. An LPC I/O write cycle causes an EPP DATA WRITE cycle to be performed, during which the data is latched for the duration of the EPP write cycle. During a READ operation, PD0 -

PD7 ports are read. An LPC I/O read cycle causes an EPP READ cycle to be performed and the data output to the host CPU, the deassertion of DATASTB latches the PData for the duration of the read cycle. This register is only available in EPP mode.

#### **EPP DATA PORT 1**

##### **ADDRESS OFFSET = 05H**

The EPP Data Port 1 is located at an offset of '05H' from the base address. Refer to EPP DATA PORT 0 for a description of operation. This register is only available in EPP mode.

#### **EPP DATA PORT 2**

##### **ADDRESS OFFSET = 06H**

The EPP Data Port 2 is located at an offset of '06H' from the base address. Refer to EPP DATA PORT 0 for a description of operation. This register is only available in EPP mode.

#### **EPP DATA PORT 3**

##### **ADDRESS OFFSET = 07H**

The EPP Data Port 3 is located at an offset of '07H' from the base address. Refer to EPP DATA PORT 0 for a description of operation. This register is only available in EPP mode.

### **EPP 1.9 OPERATION**

When the EPP mode is selected in the configuration register, the standard and bi-directional modes are also available. If no EPP Read, Write or Address cycle is currently executing, then the PDx bus is in the standard or bi-directional mode, and all output signals (STROBE, AUTOFD, INIT) are as set by the SPP Control Port and direction is controlled by PCD of the Control port.

In EPP mode, the system timing is closely coupled to the EPP timing. For this reason, a watchdog timer is required to prevent system lockup. The timer indicates if more than 10usec have elapsed from the start of the EPP cycle to nWAIT being deasserted (after command). If a time-out occurs, the current EPP cycle is aborted and the time-out condition is indicated in Status bit 0.

During an EPP cycle, if STROBE is active, it overrides the EPP write signal forcing the PDx bus to always be in a write mode and the nWRITE signal to always be asserted.

#### **Software Constraints**

Before an EPP cycle is executed, the software must ensure that the control register bit PCD is a logic "0" (i.e., a 04H or 05H should be written to the Control port). If the user leaves PCD as a logic "1", and attempts to perform an EPP write, the chip is unable to perform the write (because PCD is a logic "1") and will appear to perform an EPP read on the parallel bus, no error is indicated.

#### **EPP 1.9 Write**

The timing for a write operation (address or data) is shown in timing diagram EPP Write Data or Address cycle. The chip inserts wait states into the LPC I/O write cycle until it has been determined that the write cycle can complete. The write cycle can complete under the following circumstances:

1. If the EPP bus is not ready (nWAIT is active low) when nDATASTB or nADDRSTB goes active then the write can complete when nWAIT goes inactive high.
2. If the EPP bus is ready (nWAIT is inactive high) then the chip must wait for it to go active low before changing the state of nDATASTB, nWRITE or nADDRSTB. The write can complete once nWAIT is determined inactive.

#### *Write Sequence of operation*

1. The host initiates an I/O write cycle to the selected EPP register.
2. If WAIT is not asserted, the chip must wait until WAIT is asserted.
3. The chip places address or data on PData bus, clears PDIR, and asserts nWRITE.
4. Chip asserts nDATASTB or nADDRSTRB indicating that PData bus contains valid information, and the WRITE signal is valid.
5. Peripheral deasserts nWAIT, indicating that any setup requirements have been satisfied and the chip may begin the termination phase of the cycle.

6. a) The chip deasserts nDATASTB or nADDRSTRB, this marks the beginning of the termination phase. If it has not already done so, the peripheral should latch the information byte now.
- b) The chip latches the data from the internal data bus for the PData bus and drives the sync that indicates that no more wait states are required followed by the TAR to complete the write cycle.
7. Peripheral asserts nWAIT, indicating to the host that any hold time requirements have been satisfied and acknowledging the termination of the cycle.
8. Chip may modify nWRITE and nPDATA in preparation for the next cycle.

### **EPP 1.9 Read**

The timing for a read operation (data) is shown in timing diagram EPP Read Data cycle. The chip inserts wait states into the LPC I/O read cycle until it has been determined that the read cycle can complete. The read cycle can complete under the following circumstances:

1. If the EPP bus is not ready (nWAIT is active low) when nDATASTB goes active then the read can complete when nWAIT goes inactive high.
2. If the EPP bus is ready (nWAIT is inactive high) then the chip must wait for it to go active low before changing the state of nWRITE or before nDATASTB goes active. The read can complete once nWAIT is determined inactive.

#### *Read Sequence of Operation*

1. The host initiates an I/O read cycle to the selected EPP register.
2. If WAIT is not asserted, the chip must wait until WAIT is asserted.
3. The chip tri-states the PData bus and deasserts nWRITE.
4. Chip asserts nDATASTB or nADDRSTRB indicating that PData bus is tri-stated, PDIR is set and the nWRITE signal is valid.
5. Peripheral drives PData bus valid.
6. Peripheral deasserts nWAIT, indicating that PData is valid and the chip may begin the termination phase of the cycle.
7. a) The chip latches the data from the PData bus for the internal data bus and deasserts nDATASTB or nADDRSTRB. This marks the beginning of the termination phase.
- b) The chip drives the sync that indicates that no more wait states are required and drives valid data onto the LAD[3:0] signals, followed by the TAR to complete the read cycle.
8. Peripheral tri-states the PData bus and asserts nWAIT, indicating to the host that the PData bus is tri-stated.
9. Chip may modify nWRITE, PDIR and nPDATA in preparation for the next cycle.

### **EPP 1.7 OPERATION**

When the EPP 1.7 mode is selected in the configuration register, the standard and bi-directional modes are also available. If no EPP Read, Write or Address cycle is currently executing, then the PDx bus is in the standard or bi-directional mode, and all output signals (STROBE, AUTOFD, INIT) are as set by the SPP Control Port and direction is controlled by PCD of the Control port.

In EPP mode, the system timing is closely coupled to the EPP timing. For this reason, a watchdog timer is required to prevent system lockup. The timer indicates if more than 10usec have elapsed from the start of the EPP cycle to the end of the cycle. If a time-out occurs, the current EPP cycle is aborted and the time-out condition is indicated in Status bit 0.

#### **Software Constraints**

Before an EPP cycle is executed, the software must ensure that the control register bits D0, D1 and D3 are set to zero. Also, bit D5 (PCD) is a logic "0" for an EPP write or a logic "1" for an EPP read.

### **EPP 1.7 Write**

The timing for a write operation (address or data) is shown in timing diagram EPP 1.7 Write Data or Address cycle. The chip inserts wait states into the I/O write cycle when nWAIT is active low during the EPP cycle. This can be used to extend the cycle time. The write cycle can complete when nWAIT is inactive high.

#### *Write Sequence of Operation*

1. The host sets PDIR bit in the control register to a logic "0". This asserts nWRITE.
2. The host initiates an I/O write cycle to the selected EPP register.
3. The chip places address or data on PData bus.
4. Chip asserts nDATASTB or nADDRSTRB indicating that PData bus contains valid information, and the WRITE signal is valid.

5. If nWAIT is asserted, the chip inserts wait states into I/O write cycle until the peripheral deasserts nWAIT or a time-out occurs.
6. The chip drives the final sync, deasserts nDATASTB or nADDRSTRB and latches the data from the internal data bus for the PData bus.
7. Chip may modify nWRITE, PDIR and nPDATA in preparation of the next cycle.

### EPP 1.7 Read

The timing for a read operation (data) is shown in timing diagram EPP 1.7 Read Data cycle. The chip inserts wait states into the I/O read cycle when nWAIT is active low during the EPP cycle. This can be used to extend the cycle time. The read cycle can complete when nWAIT is inactive high.

#### Read Sequence of Operation

1. The host sets PDIR bit in the control register to a logic "1". This deasserts nWRITE and tri-states the PData bus.
2. The host initiates an I/O read cycle to the selected EPP register.
3. Chip asserts nDATASTB or nADDRSTRB indicating that PData bus is tri-stated, PDIR is set and the nWRITE signal is valid.
4. If nWAIT is asserted, the chip inserts wait states into the I/O read cycle until the peripheral deasserts nWAIT or a time-out occurs.
5. The Peripheral drives PData bus valid.
6. The Peripheral deasserts nWAIT, indicating that PData is valid and the chip may begin the termination phase of the cycle.
7. The chip drives the final sync and deasserts nDATASTB or nADDRSTRB.
8. Peripheral tri-states the PData bus.
9. Chip may modify nWRITE, PDIR and nPDATA in preparation of the next cycle.

**Table 40 - EPP Pin Descriptions**

EPP SIGNAL	EPP NAME	TYPE	EPP DESCRIPTION
nWRITE	nWrite	O	This signal is active low. It denotes a write operation.
PD<0:7>	Address/Data	I/O	Bi-directional EPP byte wide address and data bus.
INTR	Interrupt	I	This signal is active high and positive edge triggered. (Pass through with no inversion, Same as SPP).
nWAIT	nWait	I	This signal is active low. It is driven inactive as a positive acknowledgement from the device that the transfer of data is completed. It is driven active as an indication that the device is ready for the next transfer.
nDATASTB	nData Strobe	O	This signal is active low. It is used to denote data read or write operation.
nRESET	nReset	O	This signal is active low. When driven active, the EPP device is reset to its initial operational mode.
nADDRSTB	Address Strobe	O	This signal is active low. It is used to denote address read or write operation.
PE	Paper End	I	Same as SPP mode.
SLCT	Printer Selected Status	I	Same as SPP mode.
nERR	Error	I	Same as SPP mode.

**Note 1:** SPP and EPP can use 1 common register.

**Note 2:** nWrite is the only EPP output that can be over-riden by SPP control port during an EPP cycle. For correct EPP read cycles, PCD is required to be a low.

### 7.8.2 EXTENDED CAPABILITIES PARALLEL PORT

ECP provides a number of advantages, some of which are listed below. The individual features are explained in greater detail in the remainder of this section.

High performance half-duplex forward and reverse channel Interlocked handshake, for fast reliable transfer  
 Optional single byte RLE compression for improved throughput (64:1)  
 Channel addressing for low-cost peripherals  
 Maintains link and data layer separation  
 Permits the use of active output drivers  
 permits the use of adaptive signal timing  
 Peer-to-peer capability.



## Vocabulary

The following terms are used in this document:

assert: When a signal asserts it transitions to a "true" state, when a signal deasserts it transitions to a "false" state.  
forward: Host to Peripheral communication.  
reverse: Peripheral to Host communication  
Pword: A port word; equal in size to the width of the LPC interface. For this implementation, PWord is always 8 bits.  
1 A high level.  
0 A low level.

These terms may be considered synonymous:

PeriphClk, nAck  
HostAck, nAutoFd  
PeriphAck, Busy  
nPeriphRequest, nFault  
nReverseRequest, nInit  
nAckReverse, PError  
Xflag, Select  
ECPMode, nSelectIn  
HostClk, nStrobe

Reference Document: IEEE 1284 Extended Capabilities Port Protocol and ISA Interface Standard, Rev 1.14, July 14, 1993. This document is available from Microsoft.

The bit map of the Extended Parallel Port registers is:

	D7	D6	D5	D4	D3	D2	D1	D0	Note
data	PD7	PD6	PD5	PD4	PD3	PD2	PD1	PD0	
ecpAFifo	Addr/RLE	Address or RLE field							2
dsr	nBusy	nAck	PError	Select	nFault	0	0	0	1
dcr	0	0	Direction	ackIntEn	SelectIn	nInit	autofd	strobe	1
cFifo	Parallel Port Data FIFO								2
ecpDFifo	ECP Data FIFO								2
tFifo	Test FIFO								2
cnfgA	0	0	0	1	0	0	0	0	
cnfgB	compress	intrValue	Parallel Port IRQ			Parallel Port DMA			
ecr	MODE			nErrIntrEn	dmaEn	serviceIntr	full	empty	

**Note 1:** These registers are available in all modes.

**Note 2:** All FIFOs use one common 16 byte FIFO.

**Note 3:** The ECP Parallel Port Config Reg B reflects the IRQ and DMA channel selected by the Configuration Registers.

## ECP IMPLEMENTATION STANDARD

This specification describes the standard interface to the Extended Capabilities Port (ECP). All LPC devices supporting ECP must meet the requirements contained in this section or the port will not be supported by Microsoft. For a description of the ECP Protocol, please refer to the IEEE 1284 Extended Capabilities Port Protocol and ISA Interface Standard, Rev. 1.14, July 14, 1993. This document is available from Microsoft.

### Description

The port is software and hardware compatible with existing parallel ports so that it may be used as a standard LPT port if ECP is not required. The port is designed to be simple and requires a small number of gates to implement. It does not do any "protocol" negotiation, rather it provides an automatic high burst-bandwidth channel that supports DMA for ECP in both the forward and reverse directions.

Small FIFOs are employed in both forward and reverse directions to smooth data flow and improve the maximum bandwidth requirement. The size of the FIFO is 16 bytes deep. The port supports an automatic handshake for the standard parallel port to improve compatibility mode transfer speed.

The port also supports run length encoded (RLE) decompression (required) in hardware. Compression is accomplished by counting identical bytes and transmitting an RLE byte that indicates how many times the next byte is

to be repeated. Decompression simply intercepts the RLE byte and repeats the following byte the specified number of times. Hardware support for compression is optional.

**Table 41 – ECP Pin Descriptions**

NAME	TYPE	DESCRIPTION
nStrobe	O	During write operations nStrobe registers data or address into the slave on the asserting edge (handshakes with Busy).
PData 7:0	I/O	Contains address or data or RLE data.
nAck	I	Indicates valid data driven by the peripheral when asserted. This signal handshakes with nAutoFd in reverse.
PeriphAck (Busy)	I	This signal deasserts to indicate that the peripheral can accept data. This signal handshakes with nStrobe in the forward direction. In the reverse direction this signal indicates whether the data lines contain ECP command information or data. The peripheral uses this signal to flow control in the forward direction. It is an "interlocked" handshake with nStrobe. PeriphAck also provides command information in the reverse direction.
PErr (nAckReverse)	I	Used to acknowledge a change in the direction the transfer (asserted = forward). The peripheral drives this signal low to acknowledge nReverseRequest. It is an "interlocked" handshake with nReverseRequest. The host relies upon nAckReverse to determine when it is permitted to drive the data bus.
Select	I	Indicates printer on line.
nAutoFd (HostAck)	O	Requests a byte of data from the peripheral when asserted, handshaking with nAck in the reverse direction. In the forward direction this signal indicates whether the data lines contain ECP address or data. The host drives this signal to flow control in the reverse direction. It is an "interlocked" handshake with nAck. HostAck also provides command information in the forward phase.
nFault (nPeriphRequest)	I	Generates an error interrupt when asserted. This signal provides a mechanism for peer-to-peer communication. This signal is valid only in the forward direction. During ECP Mode the peripheral is permitted (but not required) to drive this pin low to request a reverse transfer. The request is merely a "hint" to the host; the host has ultimate control over the transfer direction. This signal would be typically used to generate an interrupt to the host CPU.
nInit	O	Sets the transfer direction (asserted = reverse, deasserted = forward). This pin is driven low to place the channel in the reverse direction. The peripheral is only allowed to drive the bi-directional data bus while in ECP Mode and HostAck is low and nSelectIn is high.
nSelectIn	O	Always deasserted in ECP mode.

### Register Definitions

The register definitions are based on the standard IBM addresses for LPT. All of the standard printer ports are supported. The additional registers attach to an upper bit decode of the standard LPT port definition to avoid conflict with standard ISA devices. The port is equivalent to a generic parallel port interface and may be operated in that mode. The port registers vary depending on the mode field in the ecr. The table below lists these dependencies. Operation of the devices in modes other than those specified is undefined.

**Table 42 - ECP Register Definitions**

NAME	ADDRESS (Note 1)	ECP MODES	FUNCTION
data	+000h R/W	000-001	Data Register
ecpAFifo	+000h R/W	011	ECP FIFO (Address)
dsr	+001h R/W	All	Status Register
dcr	+002h R/W	All	Control Register
cFifo	+400h R/W	010	Parallel Port Data FIFO
ecpDFifo	+400h R/W	011	ECP FIFO (DATA)
tFifo	+400h R/W	110	Test FIFO
cnfgA	+400h R	111	Configuration Register A
cnfgB	+401h R/W	111	Configuration Register B
ecr	+402h R/W	All	Extended Control Register

**Note 1:** These addresses are added to the parallel port base address as selected by configuration register or jumpers.

**Note 2:** All addresses are qualified with AEN. Refer to the AEN pin definition.

**Table 43 - Mode Descriptions**

<b>MODE</b>	<b>DESCRIPTION*</b>
000	SPP mode
001	PS/2 Parallel Port mode
010	Parallel Port Data FIFO mode
011	ECP Parallel Port mode
100	EPP mode (If this option is enabled in the configuration registers)
101	Reserved
110	Test mode
111	Configuration mode

\*Refer to ECR Register Description

### **DATA and ecpAFifo PORT**

#### **ADDRESS OFFSET = 00H**

Modes 000 and 001 (Data Port)

The Data Port is located at an offset of '00H' from the base address. The data register is cleared at initialization by RESET. During a WRITE operation, the Data Register latches the contents of the data bus. The contents of this register are buffered (non inverting) and output onto the PD0 - PD7 ports. During a READ operation, PD0 - PD7 ports are read and output to the host CPU.

Mode 011 (ECP FIFO - Address/RLE)

A data byte written to this address is placed in the FIFO and tagged as an ECP Address/RLE. The hardware at the ECP port transmits this byte to the peripheral automatically. The operation of this register is only defined for the forward direction (direction is 0). Refer to the ECP Parallel Port Forward Timing Diagram, located in the Timing Diagrams section of this data sheet .

### **DEVICE STATUS REGISTER (dsr)**

#### **ADDRESS OFFSET = 01H**

The Status Port is located at an offset of '01H' from the base address. Bits0 - 2 are not implemented as register bits, during a read of the Printer Status Register these bits are a low level. The bits of the Status Port are defined as follows:

#### **BIT 3 nFault**

The level on the nFault input is read by the CPU as bit 3 of the Device Status Register.

#### **BIT 4 Select**

The level on the Select input is read by the CPU as bit 4 of the Device Status Register.

#### **BIT 5 PError**

The level on the PError input is read by the CPU as bit 5 of the Device Status Register. Printer Status Register.

#### **BIT 6 nAck**

The level on the nAck input is read by the CPU as bit 6 of the Device Status Register.

#### **BIT 7 nBusy**

The complement of the level on the BUSY input is read by the CPU as bit 7 of the Device Status Register.

#### **DEVICE CONTROL REGISTER (dcr)**

##### **ADDRESS OFFSET = 02H**

The Control Register is located at an offset of '02H' from the base address. The Control Register is initialized to zero by the RESET input, bits 0 to 5 only being affected; bits 6 and 7 are hard wired low.

#### **BIT 0 STROBE - STROBE**

This bit is inverted and output onto the nSTROBE output.

#### **BIT 1 AUTOFD - AUTOFEED**

This bit is inverted and output onto the nAutoFd output. A logic 1 causes the printer to generate a line feed after each line is printed. A logic 0 means no autofeed.

#### **BIT 2 nINIT - INITIATE OUTPUT**

This bit is output onto the nINIT output without inversion.

#### **BIT 3 SELECTIN**

This bit is inverted and output onto the nSLCTIN output. A logic 1 on this bit selects the printer; a logic 0 means the printer is not selected.

#### **BIT 4 ackIntEn - INTERRUPT REQUEST ENABLE**

The interrupt request enable bit when set to a high level may be used to enable interrupt requests from the Parallel Port to the CPU due to a low to high transition on the nACK input. Refer to the description of the interrupt under Operation, Interrupts.

#### **BIT 5 DIRECTION**

If mode=000 or mode=010, this bit has no effect and the direction is always out regardless of the state of this bit. In all other modes, Direction is valid and a logic 0 means that the printer port is in output mode (write); a logic 1 means that the printer port is in input mode (read).

**BITS 6 and 7 during a read are a low level, and cannot be written.**

#### **cFifo (Parallel Port Data FIFO)**

##### **ADDRESS OFFSET = 400h**

##### *Mode = 010*

Bytes written or DMAed from the system to this FIFO are transmitted by a hardware handshake to the peripheral using the standard parallel port protocol. Transfers to the FIFO are byte aligned. This mode is only defined for the forward direction.

##### **ecpDFifo (ECP Data FIFO)**

##### **ADDRESS OFFSET = 400H**

##### *Mode = 011*

Bytes written or DMAed from the system to this FIFO, when the direction bit is 0, are transmitted by a hardware handshake to the peripheral using the ECP parallel port protocol. Transfers to the FIFO are byte aligned.

Data bytes from the peripheral are read under automatic hardware handshake from ECP into this FIFO when the direction bit is 1. Reads or DMAs from the FIFO will return bytes of ECP data to the system.

**tFifo (Test FIFO Mode)**  
**ADDRESS OFFSET = 400H**

Mode = 110

Data bytes may be read, written or DMAed to or from the system to this FIFO in any direction. Data in the tFIFO will not be transmitted to the parallel port lines using a hardware protocol handshake. However, data in the tFIFO may be displayed on the parallel port data lines.

The tFIFO will not stall when overwritten or underrun. If an attempt is made to write data to a full tFIFO, the new data is not accepted into the tFIFO. If an attempt is made to read data from an empty tFIFO, the last data byte is re-read again. The full and empty bits must always keep track of the correct FIFO state. The tFIFO will transfer data at the maximum ISA rate so that software may generate performance metrics.

The FIFO size and interrupt threshold can be determined by writing bytes to the FIFO and checking the full and serviceIntr bits.

The writeIntrThreshold can be determined by starting with a full tFIFO, setting the direction bit to 0 and emptying it a byte at a time until serviceIntr is set. This may generate a spurious interrupt, but will indicate that the threshold has been reached.

The readIntrThreshold can be determined by setting the direction bit to 1 and filling the empty tFIFO a byte at a time until serviceIntr is set. This may generate a spurious interrupt, but will indicate that the threshold has been reached.

Data bytes are always read from the head of tFIFO regardless of the value of the direction bit. For example if 44h, 33h, 22h is written to the FIFO, then reading the tFIFO will return 44h, 33h, 22h in the same order as was written.

**cnfgA (Configuration Register A)**  
**ADDRESS OFFSET = 400H**

Mode = 111

This register is a read only register. When read, 10H is returned. This indicates to the system that this is an 8-bit implementation. (PWord = 1 byte)

**cnfgB (Configuration Register B)**  
**ADDRESS OFFSET = 401H**

Mode = 111

**BIT 7 compress**

This bit is read only. During a read it is a low level. This means that this chip does not support hardware RLE compression. It does support hardware de-compression.

**BIT 6 intrValue**

Returns the value of the interrupt to determine possible conflicts.

**BIT [5:3] Parallel Port IRQ (read-only)**

to Table 44B

**BITS [2:0] Parallel Port DMA (read-only)**

to Table 44C

**ecr (Extended Control Register)**  
**ADDRESS OFFSET = 402H**

Mode = all

This register controls the extended ECP parallel port functions.

**BITS 7,6,5**

These bits are Read/Write and select the Mode.

#### BIT 4 nErrIntrEn

Read/Write (Valid only in ECP Mode)

- 1: Disables the interrupt generated on the asserting edge of nFault.
- 0: Enables an interrupt pulse on the high to low edge of nFault. Note that an interrupt will be generated if nFault is asserted (interrupting) and this bit is written from a 1 to a 0. This prevents interrupts from being lost in the time between the read of the ecr and the write of the ecr.

#### BIT 3 dmaEn

Read/Write

- 1: Enables DMA (DMA starts when serviceIntr is 0).
- 0: Disables DMA unconditionally.

#### BIT 2 serviceIntr

Read/Write

- 1: Disables DMA and all of the service interrupts.
- 0: Enables one of the following 3 cases of interrupts. Once one of the 3 service interrupts has occurred serviceIntr bit shall be set to a 1 by hardware. It must be reset to 0 to re-enable the interrupts. Writing this bit to a 1 will not cause an interrupt.

case dmaEn=1:

During DMA (this bit is set to a 1 when terminal count is reached).

case dmaEn=0 direction=0:

This bit shall be set to 1 whenever there are writeIntrThreshold or more bytes free in the FIFO.

case dmaEn=0 direction=1:

This bit shall be set to 1 whenever there are readIntrThreshold or more valid bytes to be read from the FIFO.

#### BIT 1 full

Read only

- 1: The FIFO cannot accept another byte or the FIFO is completely full.
- 0: The FIFO has at least 1 free byte.

#### BIT 0 empty

Read only

- 1: The FIFO is completely empty.
- 0: The FIFO contains at least 1 byte of data.

**Table 44a - Extended Control Register**

R/W	MODE
000:	Standard Parallel Port Mode . In this mode the FIFO is reset and common drain drivers are used on the control lines (nStrobe, nAutoFd, nIntr and nSelectIn). Setting the direction bit will not tri-state the output drivers in this mode.
001:	PS/2 Parallel Port Mode. Same as above except that direction may be used to tri-state the data lines and reading the data register returns the value on the data lines and not the value in the data register. All drivers have active pull-ups (push-pull).
010:	Parallel Port FIFO Mode. This is the same as 000 except that bytes are written or DMAed to the FIFO. FIFO data is automatically transmitted using the standard parallel port protocol. Note that this mode is only useful when direction is 0. All drivers have active pull-ups (push-pull).
011:	ECP Parallel Port Mode. In the forward direction (direction is 0) bytes placed into the ecpDFifo and bytes written to the ecpAFifo are placed in a single FIFO and transmitted automatically to the peripheral using ECP Protocol. In the reverse direction (direction is 1) bytes are moved from the ECP parallel port and packed into bytes in the ecpDFifo. All drivers have active pull-ups (push-pull).
100:	Selects EPP Mode: In this mode, EPP is selected if the EPP supported option is selected in configuration register L3-CRF0. All drivers have active pull-ups (push-pull).
101:	Reserved
110:	Test Mode. In this mode the FIFO may be written and read, but the data will not be transmitted on the parallel port. All drivers have active pull-ups (push-pull).
111:	Configuration Mode. In this mode the configA, configB registers are accessible at 0x400 and 0x401. All drivers have active pull-ups (push-pull).

Table 44B

IRQ SELECTED	CONFIG REG B BITS 5:3
15	110
14	101
11	100
10	011
9	010
7	001
5	111
All Others	000

Table 44C

DMA SELECTED	CONFIG REG B BITS 2:0
3	011
2	010
1	001
All Others	000

## OPERATION

### Mode Switching/Software Control

Software will execute P1284 negotiation and all operation prior to a data transfer phase under programmed I/O control (mode 000 or 001). Hardware provides an automatic control line handshake, moving data between the FIFO and the ECP port only in the data transfer phase (modes 011 or 010).

Setting the mode to 011 or 010 will cause the hardware to initiate data transfer.

If the port is in mode 000 or 001 it may switch to any other mode. If the port is not in mode 000 or 001 it can only be switched into mode 000 or 001. The direction can only be changed in mode 001.

Once in an extended forward mode the software should wait for the FIFO to be empty before switching back to mode 000 or 001. In this case all control signals will be deasserted before the mode switch. In an ecp reverse mode the software waits for all the data to be read from the FIFO before changing back to mode 000 or 001. Since the automatic hardware ecp reverse handshake only cares about the state of the FIFO it may have acquired extra data which will be discarded. It may in fact be in the middle of a transfer when the mode is changed back to 000 or 001. In this case the port will deassert nAutoFd independent of the state of the transfer. The design shall not cause glitches on the handshake signals if the software meets the constraints above.

### ECP Operation

Prior to ECP operation the Host must negotiate on the parallel port to determine if the peripheral supports the ECP protocol. This is a somewhat complex negotiation carried out under program control in mode 000.

After negotiation, it is necessary to initialize some of the port bits. The following are required:

Set `Direction = 0`, enabling the drivers.

Set `strobe = 0`, causing the nStrobe signal to default to the deasserted state.

Set `autoFd = 0`, causing the nAutoFd signal to default to the deasserted state.

Set `mode = 011` (ECP Mode)

ECP address/RLE bytes or data bytes may be sent automatically by writing the `ecpAFifo` or `ecpDFifo` respectively.

Note that all FIFO data transfers are byte wide and byte aligned. Address/RLE transfers are byte-wide and only allowed in the forward direction.

The host may switch directions by first switching to mode = 001, negotiating for the forward or reverse channel, setting direction to 1 or 0, then setting mode = 011. When direction is 1 the hardware shall handshake for each ECP read data byte and attempt to fill the FIFO. Bytes may then be read from the `ecpDFifo` as long as it is not empty.

ECP transfers may also be accomplished (albeit slowly) by handshaking individual bytes under program control in mode = 001, or 000.

### Termination from ECP Mode

Termination from ECP Mode is similar to the termination from Nibble/Byte Modes. The host is permitted to terminate from ECP Mode only in specific well-defined states. The termination can only be executed while the bus is in the

forward direction. To terminate while the channel is in the reverse direction, it must first be transitioned into the forward direction.

### Command/Data

ECP Mode supports two advanced features to improve the effectiveness of the protocol for some applications. The features are implemented by allowing the transfer of normal 8 bit data or 8 bit commands.

When in the forward direction, normal data is transferred when HostAck is high and an 8 bit command is transferred when HostAck is low.

The most significant bit of the command indicates whether it is a run-length count (for compression) or a channel address.

When in the reverse direction, normal data is transferred when PeriphAck is high and an 8 bit command is transferred when PeriphAck is low. The most significant bit of the command is always zero. Reverse channel addresses are seldom used and may not be supported in hardware.

**Table 45 - Channel/Data Commands supported in ECP mode**

Forward Channel Commands (HostAck Low)	
Reverse Channel Commands (PeriphAck Low)	
D7	D[6:0]
0	Run-Length Count (0-127) (mode 0011 0X00 only)
1	Channel Address (0-127)

### Data Compression

The ECP port supports run length encoded (RLE) decompression in hardware and can transfer compressed data to a peripheral. Run length encoded (RLE) compression in hardware is not supported. To transfer compressed data in ECP mode, the compression count is written to the ecpAFifo and the data byte is written to the ecpDFifo.

Compression is accomplished by counting identical bytes and transmitting an RLE byte that indicates how many times the next byte is to be repeated. Decompression simply intercepts the RLE byte and repeats the following byte the specified number of times. When a run-length count is received from a peripheral, the subsequent data byte is replicated the specified number of times. A run-length count of zero specifies that only one byte of data is represented by the next data byte, whereas a run-length count of 127 indicates that the next byte should be expanded to 128 bytes. To prevent data expansion, however, run-length counts of zero should be avoided.

### Pin Definition

The drivers for nStrobe, nAutoFd, nIntr and nSelectIn are open-drain in mode 000 and are push-pull in all other modes.

### LPC Connections

The interface can never stall causing the host to hang. The width of data transfers is strictly controlled on an I/O address basis per this specification. All FIFO-DMA transfers are byte wide, byte aligned and end on a byte boundary. (The PWord value can be obtained by reading Configuration Register A, cnfgA, described in the next section). Single byte wide transfers are always possible with standard or PS/2 mode using program control of the control signals.

### Interrupts

The interrupts are enabled by serviceIntr in the ecr register.

serviceIntr = 1 Disables the DMA and all of the service interrupts.

serviceIntr = 0 Enables the selected interrupt condition. If the interrupting condition is valid, then the interrupts generated immediately when this bit is changed from a 1 to a 0. This can occur during Programmed I/O if the number of bytes removed or added from/to the FIFO does not cross the threshold.

An interrupt is generated when:

- 1) For DMA transfers: When serviceIntr is 0, dmaEn is 1 and the DMA TC cycle is received.
- 2) For Programmed I/O:



- a) When serviceIntr is 0, dmaEn is 0, direction is 0 and there are writeIntrThreshold or more free bytes in the FIFO. Also, an interrupt is generated when serviceIntr is cleared to 0 whenever there are writeIntrThreshold or more free bytes in the FIFO.
  - b) When serviceIntr is 0, dmaEn is 0, direction is 1 and there are readIntrThreshold or more bytes in the FIFO. Also, an interrupt is generated when serviceIntr is cleared to 0 whenever there are readIntrThreshold or more bytes in the FIFO.
- 3) When nErrIntrEn is 0 and nFault transitions from high to low or when nErrIntrEn is set from 1 to 0 and nFault is asserted.
  - 4) When ackIntrEn is 1 and the nAck signal transitions from a low to a high.

### FIFO Operation

The FIFO threshold is set in the chip configuration registers. All data transfers to or from the parallel port can proceed in DMA or Programmed I/O (non-DMA) mode as indicated by the selected mode. The FIFO is used by selecting the Parallel Port FIFO mode or ECP Parallel Port Mode. (FIFO test mode will be addressed separately.) After a reset, the FIFO is disabled. Each data byte is transferred by a Programmed I/O cycle or DMA cycle depending on the selection of DMA or Programmed I/O mode.

The following paragraphs detail the operation of the FIFO flow control. In these descriptions, <threshold> ranges from 1 to 16. The parameter FIFOTHR, which the user programs, is one less and ranges from 0 to 15.

A low threshold value (i.e. 2) results in longer periods of time between service requests, but requires faster servicing of the request for both read and write cases. The host must be very responsive to the service request. This is the desired case for use with a “fast” system. A high value of threshold (i.e. 12) is used with a “sluggish” system by affording a long latency period after a service request, but results in more frequent service requests.

### DMA TRANSFERS

DMA transfers are always to or from the ecpDFifo, tFifo or CFifo. DMA utilizes the standard PC DMA services. To use the DMA transfers, the host first sets up the direction and state as in the programmed I/O case. Then it programs the DMA controller in the host with the desired count and memory address. Lastly it sets dmaEn to 1 and serviceIntr to 0. The ECP requests DMA transfers from the host by encoding the LDRQ# pin. The DMA will empty or fill the FIFO using the appropriate direction and mode. When the terminal count in the DMA controller is reached, an interrupt is generated and serviceIntr is asserted, disabling DMA. In order to prevent possible blocking of refresh requests a DMA cycle shall not be requested for more than 32 DMA cycles in a row. The FIFO is enabled directly by the host initiating a DMA cycle for the requested channel, and addresses need not be valid. An interrupt is generated when a TC cycle is received. (Note: The only way to properly terminate DMA transfers is with a TC cycle.)

DMA may be disabled in the middle of a transfer by first disabling the host DMA controller. Then setting serviceIntr to 1, followed by setting dmaEn to 0, and waiting for the FIFO to become empty or full. Restarting the DMA is accomplished by enabling DMA in the host, setting dmaEn to 1, followed by setting serviceIntr to 0.

### DMA Mode - Transfers from the FIFO to the Host

(Note: In the reverse mode, the peripheral may not continue to fill the FIFO if it runs out of data to transfer, even if the chip continues to request more data from the peripheral.)

The ECP requests a DMA cycle whenever there is data in the FIFO. The DMA controller must respond to the request by reading data from the FIFO. The ECP stops requesting DMA cycles when the FIFO becomes empty or when a TC cycle is received, indicating that no more data is required. If the ECP stops requesting DMA cycles due to the FIFO going empty, then a DMA cycle is requested again as soon as there is one byte in the FIFO. If the ECP stops requesting DMA cycles due to the TC cycle, then a DMA cycle is requested again when there is one byte in the FIFO, and serviceIntr has been re-enabled.

### Programmed I/O Mode or Non-DMA Mode

The ECP or parallel port FIFOs may also be operated using interrupt driven programmed I/O. Software can determine the writeIntrThreshold, readIntrThreshold, and FIFO depth by accessing the FIFO in Test Mode.

Programmed I/O transfers are to the ecpDFifo at 400H and ecpAFifo at 000H or from the ecpDFifo located at 400H, or to/from the tFifo at 400H. To use the programmed I/O transfers, the host first sets up the direction and state, sets dmaEn to 0 and serviceIntr to 0.

The ECP requests programmed I/O transfers from the host by activating the interrupt. The programmed I/O will empty or fill the FIFO using the appropriate direction and mode.

**Note:** A threshold of 16 is equivalent to a threshold of 15. These two cases are treated the same.

#### Programmed I/O - Transfers from the FIFO to the Host

In the reverse direction an interrupt occurs when `serviceIntr` is 0 and `readIntrThreshold` bytes are available in the FIFO. If at this time the FIFO is full it can be emptied completely in a single burst, otherwise `readIntrThreshold` bytes may be read from the FIFO in a single burst.

$$\text{readIntrThreshold} = (16 - \langle \text{threshold} \rangle) \text{ data bytes in FIFO}$$

An interrupt is generated when `serviceIntr` is 0 and the number of bytes in the FIFO is greater than or equal to  $(16 - \langle \text{threshold} \rangle)$ . (If the threshold = 12, then the interrupt is set whenever there are 4-16 bytes in the FIFO). The host must respond to the request by reading data from the FIFO. This process is repeated until the last byte is transferred out of the FIFO. If at this time the FIFO is full, it can be completely emptied in a single burst, otherwise a minimum of  $(16 - \langle \text{threshold} \rangle)$  bytes may be read from the FIFO in a single burst.

#### Programmed I/O - Transfers from the Host to the FIFO

In the forward direction an interrupt occurs when `serviceIntr` is 0 and there are `writeIntrThreshold` or more bytes free in the FIFO. At this time if the FIFO is empty it can be filled with a single burst before the empty bit needs to be re-read. Otherwise it may be filled with `writeIntrThreshold` bytes.

$$\text{writeIntrThreshold} = (16 - \langle \text{threshold} \rangle) \text{ free bytes in FIFO}$$

An interrupt is generated when `serviceIntr` is 0 and the number of bytes in the FIFO is less than or equal to  $\langle \text{threshold} \rangle$ . (If the threshold = 12, then the interrupt is set whenever there are 12 or less bytes of data in the FIFO.) The host must respond to the request by writing data to the FIFO. If at this time the FIFO is empty, it can be completely filled in a single burst, otherwise a minimum of  $(16 - \langle \text{threshold} \rangle)$  bytes may be written to the FIFO in a single burst. This process is repeated until the last byte is transferred into the FIFO.

## 7.9 POWER MANAGEMENT

Power management capabilities are provided for the following logical devices: floppy disk, UART 1, UART 2 and the parallel port. For each logical device, two types of power management are provided: direct powerdown and auto powerdown.

#### FDC Power Management

Direct power management is controlled by CR22. Refer to CR22 for more information.

Auto Power Management is enabled by CR23-B0. When set, this bit allows FDC to enter powerdown when all of the following conditions have been met:

1. The motor enable pins of register 3F2H are inactive (zero).
2. The part must be idle; MSR=80H and INT = 0 (INT may be high even if MSR = 80H due to polling interrupts).
3. The head unload timer must have expired.
4. The Auto powerdown timer (10msec) must have timed out.

An internal timer is initiated as soon as the auto powerdown command is enabled. The part is then powered down when all the conditions are met.

Disabling the auto powerdown mode cancels the timer and holds the FDC block out of auto powerdown.

**Note: At least 8 $\mu$ s delay should be added when exiting FDC Auto Powerdown mode. If the operating environment is such that this delay cannot be guaranteed, the auto powerdown mode should not be used and Direct powerdown mode should be used instead. The Direct powerdown mode requires at least 8 $\mu$ s delay at 250K bits/sec configuration and 4 $\mu$ s delay at 500K bits/sec. The delay should be added so that the internal microcontroller can prepare itself to accept commands.**

#### DSR From Powerdown

If DSR powerdown is used when the part is in auto powerdown, the DSR powerdown will override the auto powerdown. However, when the part is awakened from DSR powerdown, the auto powerdown will once again become effective.

## Wake Up From Auto Powerdown

If the part enters the powerdown state through the auto powerdown mode, then the part can be awakened by reset or by appropriate access to certain registers.

If a hardware or software reset is used then the part will go through the normal reset sequence. If the access is through the selected registers, then the FDC resumes operation as though it was never in powerdown. Besides activating the PCI\_RESET# pin or one of the software reset bits in the DOR or DSR, the following register accesses will wake up the part:

1. Enabling any one of the motor enable bits in the DOR register (reading the DOR does not awaken the part).
2. A read from the MSR register.
3. A read or write to the Data register.

Once awake, the FDC will reinitiate the auto powerdown timer for 10 ms. The part will powerdown again when all the powerdown conditions are satisfied.

## Register Behavior

Table 46 illustrates the AT and PS/2 (including Model 30) configuration registers available and the type of access permitted. In order to maintain software transparency, access to all the registers must be maintained. As Table 46 shows, two sets of registers are distinguished based on whether their access results in the part remaining in powerdown state or exiting it.

Access to all other registers is possible without awakening the part. These registers can be accessed during powerdown without changing the status of the part. A read from these registers will reflect the true status as shown in the register description in the FDC description. A write to the part will result in the part retaining the data and subsequently reflecting it when the part awakens. Accessing the part during powerdown may cause an increase in the power consumption by the part. The part will revert back to its low power mode when the access has been completed.

## Pin Behavior

The LPC47M192 is specifically designed for systems in which power conservation is a primary concern. This makes the behavior of the pins during powerdown very important.

The pins of the LPC47M192 can be divided into two major categories: system interface and floppy disk drive interface. The floppy disk drive pins are disabled so that no power will be drawn through the part as a result of any voltage applied to the pin within the part's power supply range. Most of the system interface pins are left active to monitor system accesses that may wake up the part.

**Table 46 - PC/AT and PS/2 Available Registers**

BASE + ADDRESS	AVAILABLE REGISTERS		ACCESS PERMITTED
	PC-AT	PS/2 (MODEL 30)	
Access to these registers DOES NOT wake up the part			
00H	----	SRA	R
01H	----	SRB	R
02H	DOR (1)	DOR (1)	R/W
03H	---	---	---
04H	DSR (1)	DSR (1)	W
06H	---	---	---
07H	DIR	DIR	R
07H	CCR	CCR	W
Access to these registers wakes up the part			
04H	MSR	MSR	R
05H	Data	Data	R/W

**Note 1:** Writing to the DOR or DSR does not wake up the part, however, writing any of the motor enable bits or doing a software reset (via DOR or DSR reset bits) will wake up the part.

## System Interface Pins

Table 47 gives the state of the interface pins in the powerdown state. Pins unaffected by the powerdown are labeled "Unchanged."

**Table 47 - State of System Pins in Auto Powerdown**

SYSTEM PINS	STATE IN AUTO POWERDOWN
LAD[3:0]	Unchanged
LDRQ#	Unchanged
LPCPD#	Unchanged
LFRAME#	Unchanged
PCI_RESET#	Unchanged
PCI_CLK	Unchanged
SER_IRQ	Unchanged

**FDD Interface Pins**

All pins in the FDD interface which can be connected directly to the floppy disk drive itself are either DISABLED or TRISTATED. Pins used for local logic control or part programming are unaffected.

Table 48 depicts the state of the floppy disk drive interface pins in the powerdown state.

**Table 48 - State of Floppy Disk Drive Interface Pins in Powerdown**

FDD PINS	STATE IN AUTO POWERDOWN
<b>INPUT PINS</b>	
nRDATA	Input
nWRTPRT	Input
nTRK0	Input
nINDEX	Input
nDSKCHG	Input
<b>OUTPUT PINS</b>	
nMTR0	Tristated
nDS0	Tristated
nDIR	Active
nSTEP	Active
nWDATA	Tristated
nWGATE	Tristated
nHDSEL	Active
DRV DEN[0:1]	Active

**UART Power Management**

Direct power management is controlled by CR22. Refer to CR22 for more information.

Auto Power Management is enabled by CR23-B4 and B5. When set, these bits allow the following auto power management operations:

1. The transmitter enters auto powerdown when the transmit buffer and shift register are empty.
2. The receiver enters powerdown when the following conditions are all met:
  - A. Receive FIFO is empty
  - B. The receiver is waiting for a start bit.

Note: While in powerdown the Ring Indicator interrupt is still valid and transitions when the RI input changes.

**Exit Auto Powerdown**

The transmitter exits powerdown on a write to the XMIT buffer. The receiver exits auto powerdown when RXDx changes state.

**MPU-401 Power Management**

Direct power management is controlled by CR22. Refer to CR22 for more information.

Auto Power Management is enabled by CR23-B6. When set, this bit allows the following auto power management operations

1. The transmitter enters auto powerdown when the transmit buffer and shift register are empty
2. The receiver enters powerdown when the following conditions are all met:

- A. Receive FIFO is empty
- B. The receiver is waiting for a start bit.

#### **Exit Auto Powerdown**

The transmitter exits powerdown on a write to the XMIT buffer. The receiver exits auto powerdown when MIDI\_IN changes state.

#### **Parallel Port**

Direct power management is controlled by CR22. Refer to CR22 for more information.

Auto Power Management is enabled by CR23-B3. When set, this bit allows the ECP or EPP logical parallel port blocks to be placed into powerdown when not being used.

The EPP logic is in powerdown under any of the following condition

1. EPP is not enabled in the configuration register
2. EPP is not selected through ecr while in ECP mode.

The ECP logic is in powerdown under any of the following condition

1. ECP is not enabled in the configuration register
2. SPP, PS/2 Parallel port or EPP mode is selected through ecr while in ECP mode.

#### **Exit Auto Powerdown**

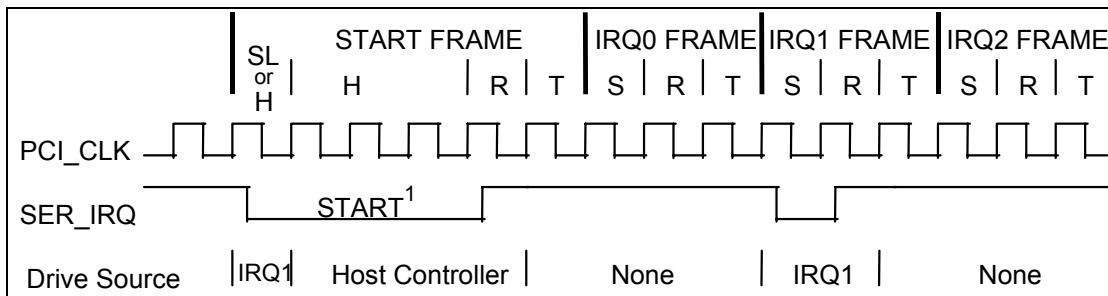
The parallel port logic can change powerdown modes when the ECP mode is changed through the ecr register or when the parallel port mode is changed through the configuration registers.

## 7.10 SERIAL IRQ

The LPC47M192 supports the serial interrupt to transmit interrupt information to the host system. The serial interrupt scheme adheres to the Serial IRQ Specification for PCI Systems, Version 6.0.

### Timing Diagrams For SER\_IRQ Cycle

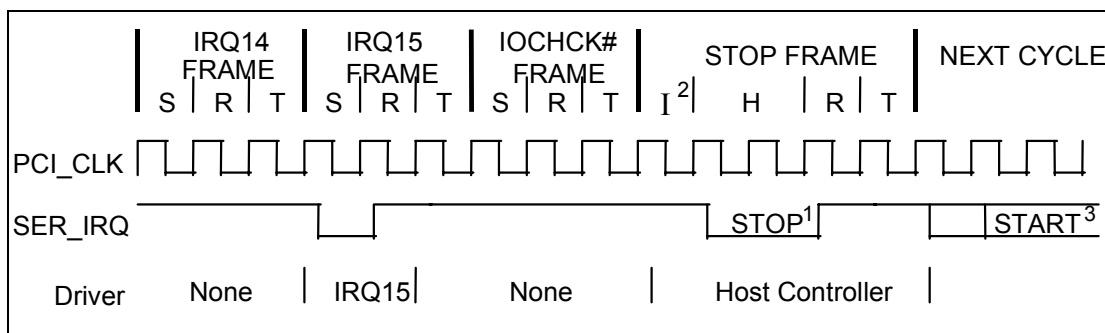
A) Start Frame timing with source sampled a low pulse on IRQ1



**Note:** H=Host Control; R=Recovery; T=Turn-Around; SL=Slave Control; S=Sample

**Note 1:** Start Frame pulse can be 4-8 clocks wide depending on the location of the device in the PCI bridge hierarchy in a synchronous bridge design.

B) Stop Frame Timing with Host using 17 SER\_IRQ sampling period



**Note:** H=Host Control; R=Recovery; T=Turn-Around; S=Sample; I=Idle

**Note 1:** The next SER\_IRQ cycle's Start Frame pulse may or may not start immediately after the turn-around clock of the Stop Frame.

**Note 2:** There may be none, one or more Idle states during the Stop Frame.

**Note 3:** Stop pulse is 2 clocks wide for Quiet mode, 3 clocks wide for Continuous mode.

### SER\_IRQ Cycle Control

There are two modes of operation for the SER\_IRQ Start Frame

1) **Quiet (Active) Mode:** Any device may initiate a Start Frame by driving the SER\_IRQ low for one clock, while the SER\_IRQ is Idle. After driving low for one clock the SER\_IRQ must immediately be tri-stated without at any time driving high. A Start Frame may not be initiated while the SER\_IRQ is Active. The SER\_IRQ is Idle between Stop and Start Frames. The SER\_IRQ is Active between Start and Stop Frames. This mode of operation allows the SER\_IRQ to be Idle when there are no IRQ/Data transitions which should be most of the time.

Once a Start Frame has been initiated the Host Controller will take over driving the SER\_IRQ low in the next clock and will continue driving the SER\_IRQ low for a programmable period of three to seven clocks. This makes a total low pulse width of four to eight clocks. Finally, the Host Controller will drive the SER\_IRQ back high for one clock, then tri-state.

Any SER\_IRQ Device (i.e., The LPC47M192) which detects any transition on an IRQ/Data line for which it is responsible must initiate a Start Frame in order to update the Host Controller unless the SER\_IRQ is already in an SER\_IRQ Cycle and the IRQ/Data transition can be delivered in that SER\_IRQ Cycle

2) **Continuous (Idle) Mode:** Only the Host controller can initiate a Start Frame to update IRQ/Data line information. All other SER\_IRQ agents become passive and may not initiate a Start Frame. SER\_IRQ will be driven low for four to eight clocks by Host Controller. This mode has two functions. It can be used to stop or idle the SER\_IRQ or the Host Controller can operate SER\_IRQ in a continuous mode by initiating a Start Frame at the end of every Stop Frame.

An SER\_IRQ mode transition can only occur during the Stop Frame. Upon reset, SER\_IRQ bus is defaulted to Continuous mode, therefore only the Host controller can initiate the first Start Frame. Slaves must continuously sample the Stop Frames pulse width to determine the next SER\_IRQ Cycle's mode.

### SER\_IRQ Data Frame

Once a Start Frame has been initiated, the LPC47M192 will watch for the rising edge of the Start Pulse and start counting IRQ/Data Frames from there. Each IRQ/Data Frame is three clocks: Sample phase, Recovery phase, and Turn-around phase. During the Sample phase the LPC47M192 must drive the SER\_IRQ low, if and only if, its last detected IRQ/Data value was low. If its detected IRQ/Data value is high, SER\_IRQ must be left tri-stated. During the Recovery phase the LPC47M192 must drive the SER\_IRQ high, if and only if, it had driven the SER\_IRQ low during the previous Sample Phase. During the Turn-around Phase the LPC47M192 must tri-state the SER\_IRQ. The LPC47M192 will drive the SER\_IRQ line low at the appropriate sample point if its associated IRQ/Data line is low, regardless of which device initiated the Start Frame.

The Sample Phase for each IRQ/Data follows the low to high transition of the Start Frame pulse by a number of clocks equal to the IRQ/Data Frame times three, minus one. (e.g. The IRQ5 Sample clock is the sixth IRQ/Data Frame,  $(6 \times 3) - 1 = 17^{\text{th}}$  clock after the rising edge of the Start Pulse).

**SER\_IRQ Sampling Periods**

SER_IRQ PERIOD	SIGNAL SAMPLED	# OF CLOCKS PAST START
1	Not Used	2
2	IRQ1	5
3	nIO_SMI/IRQ2	8
4	IRQ3	11
5	IRQ4	14
6	IRQ5	17
7	IRQ6	20
8	IRQ7	23
9	IRQ8	26
10	IRQ9	29
11	IRQ10	32
12	IRQ11	35
13	IRQ12	38
14	IRQ13	41
15	IRQ14	44
16	IRQ15	47

The SER\_IRQ data frame supports IRQ2 from a logical device on Period 3, which can be used for the System Management Interrupt (nSMI). When using Period 3 for IRQ2 the user should mask off the SMI via the SMI Enable Register. Likewise, when using Period 3 for nSMI the user should not configure any logical devices as using IRQ2.

SER\_IRQ Period 14 is used to transfer IRQ13. Logical devices 0 (FDC), 3 (Par Port), 4 (Ser Port 1), 5 (Ser Port 2), and 7 (KBD) shall have IRQ13 as a choice for their primary interrupt.

The SMI is enabled onto the SMI frame of the Serial IRQ via bit 6 of SMI Enable Register 2 and onto the nIO\_SMI pin via bit 7 of the SMI Enable Register 2.

### Stop Cycle Control

Once all IRQ/Data Frames have completed the Host Controller will terminate SER\_IRQ activity by initiating a Stop Frame. Only the Host Controller can initiate the Stop Frame. A Stop Frame is indicated when the SER\_IRQ is low for two or three clocks. If the Stop Frame's low time is two clocks then the next SER\_IRQ Cycle's sampled mode is the Quiet mode; and any SER\_IRQ device may initiate a Start Frame in the second clock or more after the rising edge of the Stop Frame's pulse. If the Stop Frame's low time is three clocks then the next SER\_IRQ Cycle's sampled mode is the Continuous mode; and only the Host Controller may initiate a Start Frame in the second clock or more after the rising edge of the Stop Frame's pulse.

### Latency

Latency for IRQ/Data updates over the SER\_IRQ bus in bridge-less systems with the minimum Host supported IRQ/Data Frames of seventeen, will range up to 96 clocks (3.84 $\mu$ S with a 25MHz PCI Bus or 2.88 $\mu$ S with a 33MHz PCI Bus). If one or more PCI to PCI Bridge is added to a system, the latency for IRQ/Data updates from the secondary or tertiary buses will be a few clocks longer for synchronous buses, and approximately double for asynchronous buses.

### EOI/ISR Read Latency

Any serialized IRQ scheme has a potential implementation issue related to IRQ latency. IRQ latency could cause an EOI or ISR Read to precede an IRQ transition that it should have followed. This could cause a system fault. The host interrupt controller is responsible for ensuring that these latency issues are mitigated. The recommended solution is to delay EOIs and ISR Reads to the interrupt controller by the same amount as the SER\_IRQ Cycle latency in order to ensure that these events do not occur out of order.

### AC/DC Specification Issue

All SER\_IRQ agents must drive / sample SER\_IRQ synchronously related to the rising edge of PCI bus clock. The SER\_IRQ pin uses the electrical specification of PCI bus. Electrical parameters will follow PCI spec. section 4, sustained tri-state.

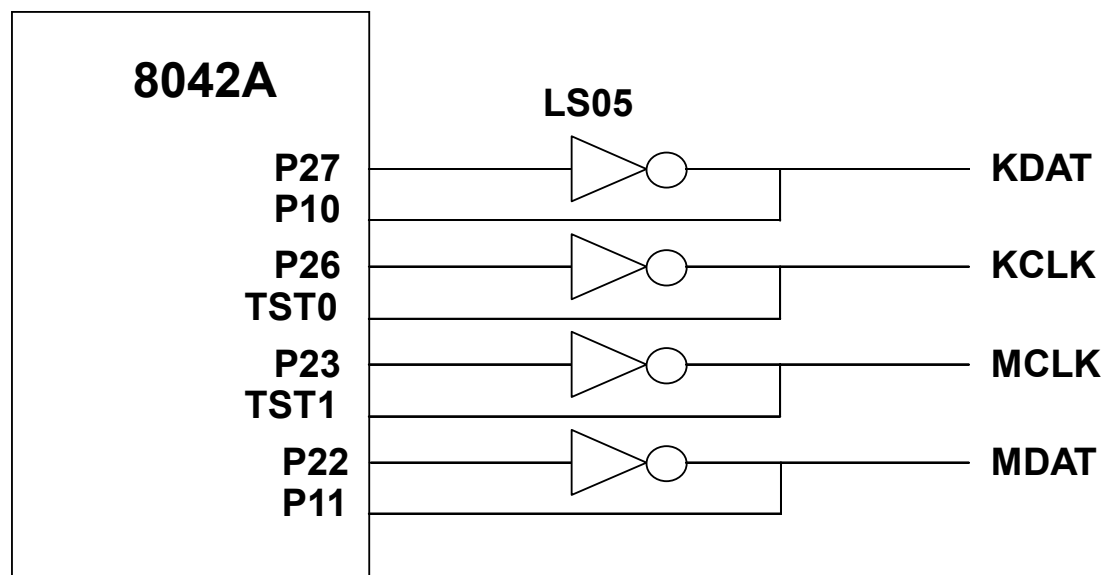
### Reset and Initialization

The SER\_IRQ bus uses nPCI\_RESET as its reset signal. The SER\_IRQ pin is tri-stated by all agents while nPCI\_RESET is active. With reset, SER\_IRQ Slaves are put into the (continuous) IDLE mode. The Host Controller is responsible for starting the initial SER\_IRQ Cycle to collect system's IRQ/Data default values. The system then follows with the Continuous/Quiet mode protocol (Stop Frame pulse width) for subsequent SER\_IRQ Cycles. It is Host Controller's responsibility to provide the default values to 8259's and other system logic before the first SER\_IRQ Cycle is performed. For SER\_IRQ system suspend, insertion, or removal application, the Host controller should be programmed into Continuous (IDLE) mode first. This is to guarantee SER\_IRQ bus is in IDLE state before the system configuration changes.



## 7.11 8042 Keyboard Controller Description

The LPC47M192 is a Super I/O and Universal Keyboard Controller that is designed for intelligent keyboard management in desktop computer applications. The Universal Keyboard Controller uses an 8042 microcontroller CPU core. This section concentrates on the LPC47M192 enhancements to the 8042. For general information about the 8042, refer to the "Hardware Description of the 8042" in the 8-Bit Embedded Controller Handbook.



**Keyboard and Mouse Interface**

KIRQ is the Keyboard IRQ

MIRQ is the Mouse IRQ

Port 21 is used to create a GATEA20 signal from the LPC47M192.

### 7.11.1 KEYBOARD INTERFACE

The LPC47M192 LPC interface is functionally compatible with the 8042 style host interface. It consists of the D0-7 data signals; the read and write signals and the Status register, Input Data register, and Output Data register. Table 49 shows how the interface decodes the control signals. In addition to the above signals, the host interface includes keyboard and mouse IRQs.

**Table 49 - I/O Address Map**

ADDRESS	Command	BLOCK	FUNCTION (NOTE 1)
0x60	Write	KDATA	Keyboard Data Write (C/D=0)
	Read	KDATA	Keyboard Data Read
0x64	Write	KDCTL	Keyboard Command Write (C/D=1)
	Read	KDCTL	Keyboard Status Read

**Note 1:** These registers consist of three separate 8 bit registers. Status, Data/Command Write and Data Read.

#### Keyboard Data Write

This is an 8 bit write only register. When written, the C/D status bit of the status register is cleared to zero and the IBF bit is set.

#### Keyboard Data Read

This is an 8 bit read only register. If enabled by “ENABLE FLAGS”, when read, the KIRQ output is cleared and the OBF flag in the status register is cleared. If not enabled, the KIRQ and/or AUXOBF1 must be cleared in software.

#### Keyboard Command Write

This is an 8 bit write only register. When written, the C/D status bit of the status register is set to one and the IBF bit is set.

#### Keyboard Status Read

This is an 8 bit read only register. Refer to the description of the Status Register for more information.

#### CPU-to-Host Communication

The LPC47M192 CPU can write to the Output Data register via register DBB. A write to this register automatically sets Bit 0 (OBF) in the Status register. See Table 50.

**Table 50 – Host Interface Flags**

8042 INSTRUCTION	FLAG
OUT DBB	Set OBF, and, if enabled, the KIRQ output signal goes high

#### Host-to-CPU Communication

The host system can send both commands and data to the Input Data register. The CPU differentiates between commands and data by reading the value of Bit 3 of the Status register. When bit 3 is “1”, the CPU interprets the register contents as a command. When bit 3 is “0”, the CPU interprets the register contents as data. During a host write operation, bit 3 is set to “1” if SA2 = 1 or reset to “0” if SA2 = 0.

## KIRQ

If “EN FLAGS” has been executed and P24 is set to a one: the OBF flag is gated onto KIRQ. The KIRQ signal can be connected to system interrupt to signify that the LPC47M192 CPU has written to the output data register via “OUT DBB,A”. If P24 is set to a zero, KIRQ is forced low. On power-up, after a valid RST pulse has been delivered to the device, KIRQ is reset to 0. KIRQ will normally reflect the status of writes “DBB”. (KIRQ is normally selected as IRQ1 for keyboard support.)

If “EN FLAGS” has not been executed: KIRQ can be controlled by writing to P24. Writing a zero to P24 forces KIRQ low; a high forces KIRQ high.

## MIRQ

If “EN FLAGS” has been executed and P25 is set to a one; IBF is inverted and gated onto MIRQ. The MIRQ signal can be connected to system interrupt to signify that the LPC47M192 CPU has read the DBB register. If “EN FLAGS” has not been executed, MIRQ is controlled by P25, Writing a zero to P25 forces MIRQ low, a high forces MIRQ high. (MIRQ is normally selected as IRQ12 for mouse support).

## Gate A20

A general purpose P21 is used as a software controlled Gate A20 or user defined output.

## 8042 PINS

The 8042 functions P17, P16 and P12 are implemented as in a true 8042 part. Reference the 8042 spec for all timing. A port signal of 0 drives the output to 0. A port signal of 1 causes the port enable signal to drive the output to 1 within 20-30nsec. After 500nsec (six 8042 clocks) the port enable goes away and the external pull-up maintains the output signal as 1.

In 8042 mode, the pins can be programmed as open drain. When programmed in open drain mode, the port enables do not come into play. If the port signal is 0 the output will be 0. If the port signal is 1, the output tristates: an external pull-up can pull the pin high, and the pin can be shared. In 8042 mode, the pins cannot be programmed as input nor inverted through the GP configuration registers.

## 7.11.2 EXTERNAL KEYBOARD AND MOUSE INTERFACE

Industry-standard PC-AT-compatible keyboards employ a two-wire, bidirectional TTL interface for data transmission. Several sources also supply PS/2 mouse products that employ the same type of interface. To facilitate system expansion, the LPC47M192 provides four signal pins that may be used to implement this interface directly for an external keyboard and mouse.

The LPC47M192 has four high-drive, open-drain output, bidirectional port pins that can be used for external serial interfaces, such as external keyboard and PS/2-type mouse interfaces. They are KCLK, KDAT, MCLK, and MDAT. P26 is inverted and output as KCLK. The KCLK pin is connected to TEST0. P27 is inverted and output as KDAT. The KDAT pin is connected to P10. P23 is inverted and output as MCLK. The MCLK pin is connected to TEST1. P22 is inverted and output as MDAT. The MDAT pin is connected to P11.

**Note:** External pull-ups may be required.

## 7.11.3 KEYBOARD POWER MANAGEMENT

The keyboard provides support for two power-saving modes: soft powerdown mode and hard powerdown mode. In soft powerdown mode, the clock to the ALU is stopped but the timer/counter and interrupts are still active. In hard power down mode the clock to the 8042 is stopped.

### Soft Power Down Mode

This mode is entered by executing a HALT instruction. The execution of program code is halted until either RESET is driven active or a data byte is written to the DBBIN register by a master CPU. If this mode is exited using the interrupt, and the IBF interrupt is enabled, then program execution resumes with a CALL to the interrupt routine, otherwise the next instruction is executed. If it is exited using RESET then a normal reset sequence is initiated and program execution starts from program memory location 0.

### Hard Power Down Mode

This mode is entered by executing a STOP instruction. The oscillator is stopped by disabling the oscillator driver cell. When either RESET is driven active or a data byte is written to the DBBIN register by a master CPU, this mode will be exited (as above). However, as the oscillator cell will require an initialization time, either RESET must be held active for sufficient time to allow the oscillator to stabilize. Program execution will resume as above.

## 7.11.4 INTERRUPTS

The LPC47M192 provides the two 8042 interrupts: IBF and the Timer/Counter Overflow.

## 7.11.5 MEMORY CONFIGURATIONS

The LPC47M192 provides 2K of on-chip ROM and 256 bytes of on-chip RAM.

## 7.11.6 REGISTER DEFINITIONS

### 7.11.6.1 Host I/F Data Register

The Input Data register and Output Data register are each 8 bits wide. A write to this 8 bit register will load the Keyboard Data Read Buffer, set the OBF flag and set the KIRQ output if enabled. A read of this register will read the data from the Keyboard Data or Command Write Buffer and clear the IBF flag. Refer to the KIRQ and Status register descriptions for more information.

### 7.11.6.2 Host I/F Status Register

The Status register is 8 bits wide.

Table 51 shows the contents of the Status register.

**Table 51 - Status Register**

D7	D6	D5	D4	D3	D2	D1	D0
UD	UD	UD	UD	C/D	UD	IBF	OBF

### Status Register

This register is cleared on a reset. This register is read-only for the Host and read/write by the LPC47M192 CPU.

UD Writable by LPC47M192 CPU. These bits are user-definable.

C/D (Command Data)-This bit specifies whether the input data register contains data or a command (0 = data, 1 = command). During a host data/command write operation, this bit is set to "1" if SA2 = 1 or reset to "0" if SA2 = 0.

IBF (Input Buffer Full)- This flag is set to 1 whenever the host system writes data into the input data register. Setting this flag activates the LPC47M192 CPU's nIBF (MIRQ) interrupt if enabled. When the LPC47M192 CPU reads the input data register (DBB), this bit is automatically reset and the interrupt is cleared. There is no output pin associated with this internal signal.

OBF (Output Buffer Full) - This flag is set to whenever the LPC47M192 CPU write to the output data register (DBB). When the host system reads the output data register, this bit is automatically reset.

## 7.11.7 EXTERNAL CLOCK SIGNAL

The LPC47M192 Keyboard Controller clock source is a 12 MHz clock generated from a 14.318 MHz clock. The reset pulse must last for at least 24 16 MHz clock periods. The pulse-width requirement applies to both internally (Vcc POR) and externally generated reset signals. In powerdown mode, the external clock signal is not loaded by the chip.

### 7.11.8 DEFAULT RESET CONDITIONS

The LPC47M192 has one source of hardware reset: an external reset via the PCI\_RESET# pin. Refer to Table 52 for the effect of each type of reset on the internal registers.

**Table 52 - Resets**

DESCRIPTION	HARDWARE RESET (PCI_RESET#)
KCLK	Low
KDAT	Low
MCLK	Low
MDAT	Low
Host I/F Data Reg	N/A
Host I/F Status Reg	00H

N/A: Not Applicable

### GATEA20 AND KEYBOARD RESET

The LPC47M192 provides two options for GateA20 and Keyboard Reset: 8042 Software Generated GateA20 and KRESET and Port 92 Fast GateA20 and KRESET.

### PORT 92 FAST GATEA20 AND KEYBOARD RESET

#### Port 92 Register

This port can only be read or written if Port 92 has been enabled via bit 2 of the KRST\_GA20 Register (Logical Device 7, 0xF0) set to 1.

This register is used to support the alternate reset (nALT\_RST) and alternate A20 (ALT\_A20) functions.

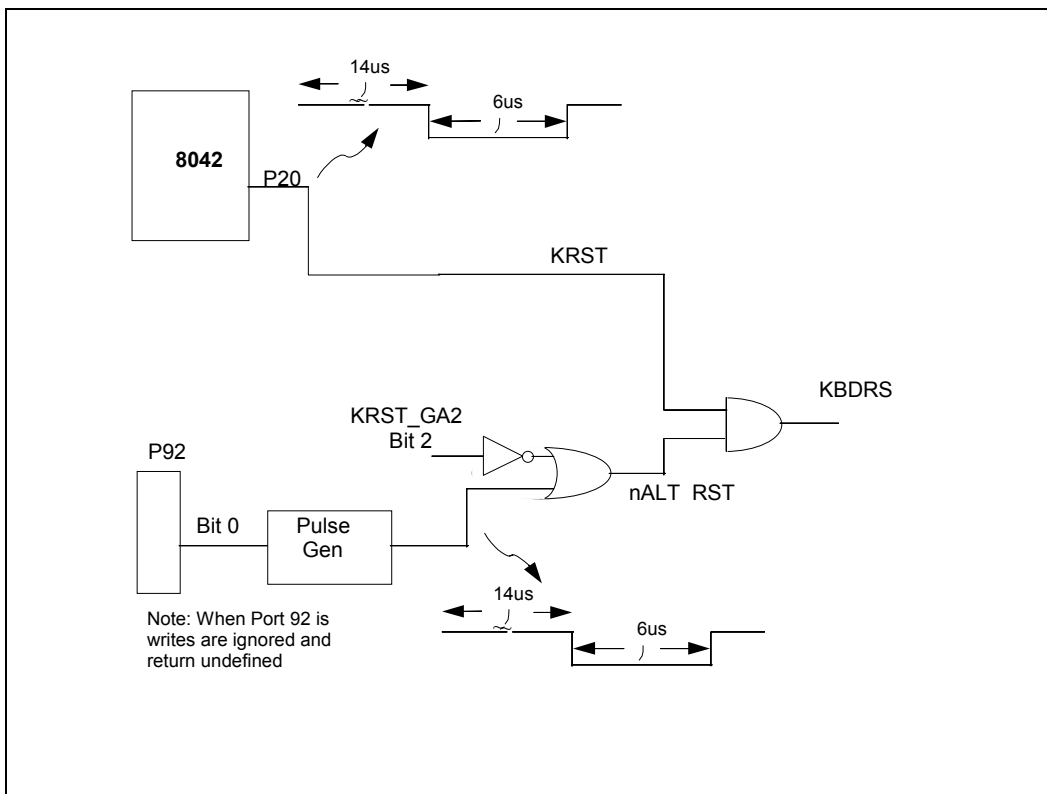
<b>Name</b>	Port 92
<b>Location</b>	92h
<b>Default Value</b>	24h
<b>Attribute</b>	Read/Write
<b>Size</b>	8 bits

PORT 92 REGISTER	
BIT	FUNCTION
7:6	Reserved. Returns 00 when read
5	Reserved. Returns a 1 when read
4	Reserved. Returns a 0 when read
3	Reserved. Returns a 0 when read
2	Reserved. Returns a 1 when read
1	ALT_A20 Signal control. Writing a 0 to this bit causes the ALT_A20 signal to be driven low. Writing a 1 to this bit causes the ALT_A20 signal to be driven high.
0	Alternate System Reset. This read/write bit provides an alternate system reset function. This function provides an alternate means to reset the system CPU to effect a mode switch from Protected Virtual Address Mode to the Real Address Mode. This provides a faster means of reset than is provided by the Keyboard controller. This bit is set to a 0 by a system reset. Writing a 1 to this bit will cause the nALT_RST signal to pulse active (low) for a minimum of 1 $\mu$ s after a delay of 500 ns. Before another nALT_RST pulse can be generated, this bit must be written back to a 0.

nGATEA20		
8042 P21	ALT_A20	System nA20M
0	0	0
0	1	1
1	0	1
1	1	1

Bit 0 of Port 92, which generates the nALT\_RST signal, is used to reset the CPU under program control. This signal is AND'ed together externally with the reset signal (nKBDRST) from the keyboard controller to provide a software means of resetting the CPU. This provides a faster means of reset than is provided by the keyboard controller. Writing a 1 to bit 0 in the Port 92 Register causes this signal to pulse low for a minimum of 6 $\mu$ s, after a delay of a minimum of 14 $\mu$ s. Before another nALT\_RST pulse can be generated, bit 0 must be set to 0 either by a system reset or a write to Port 92. Upon reset, this signal is driven inactive high (bit 0 in the Port 92 Register is set to 0).

If Port 92 is enabled, i.e., bit 2 of KRST\_GA20 is set to 1, then a pulse is generated by writing a 1 to bit 0 of the Port 92 Register and this pulse is AND'ed with the pulse generated from the 8042. This pulse is output on pin KRESET and its polarity is controlled by the GPIO polarity configuration.



Bit 1 of Port 92, the ALT\_A20 signal, is used to force nA20M to the CPU low for support of real mode compatible software. This signal is externally OR'ed with the A20GATE signal from the keyboard controller and CPURST to control the nA20M input of the CPU. Writing a 0 to bit 1 of the Port 92 Register forces ALT\_A20 low. ALT\_A20 low drives nA20M to the CPU low, if A20GATE from the keyboard controller is also low. Writing a 1 to bit 1 of the Port 92 Register forces ALT\_A20 high. ALT\_A20 high drives nA20M to the CPU high, regardless of the state of A20GATE from the keyboard controller. Upon reset, this signal is driven low.

### Latches On Keyboard and Mouse IRQs

The implementation of the latches on the keyboard and mouse interrupts is shown below.

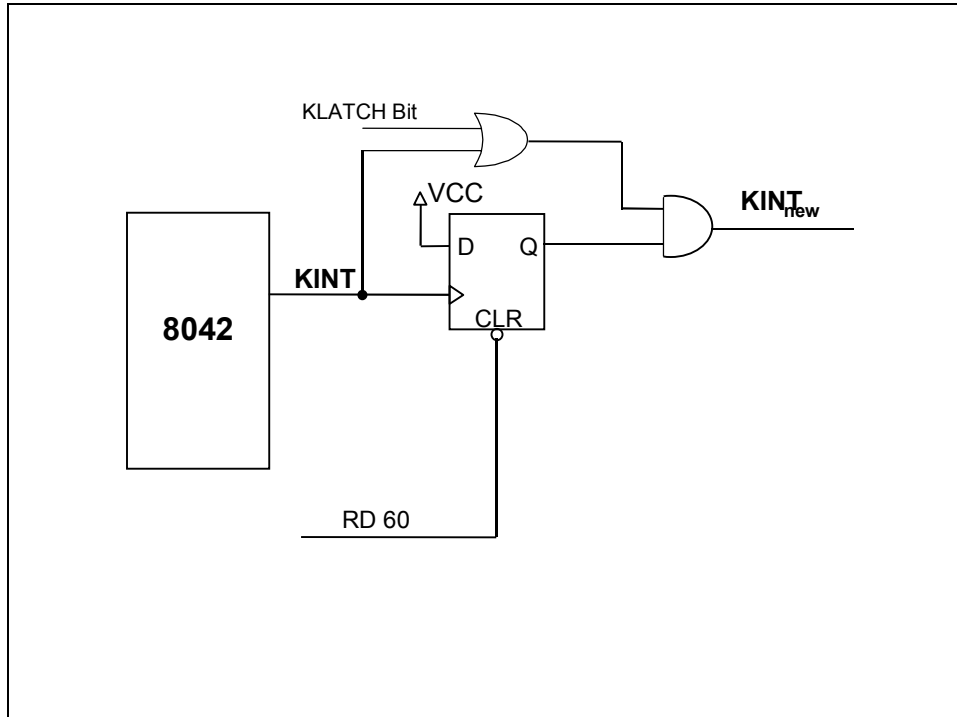


FIGURE 5 - KEYBOARD LATCH

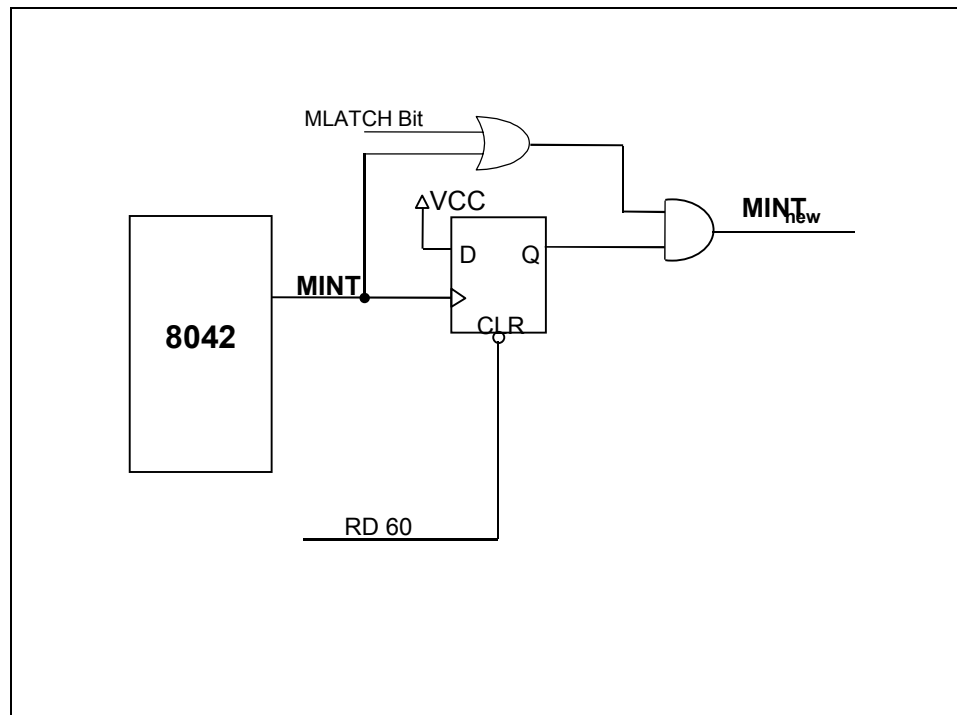


FIGURE 6 - MOUSE LATCH

The KLATCH and MLATCH bits are located in the KRST\_GA20 register, in Logical Device 7 at 0xF0.

These bits are defined as follows:

- Bit[4]: MLATCH – Mouse Interrupt latch control bit. 0=MINT is the 8042 MINT ANDed with Latched MINT (default), 1=MINT is the latched 8042 MINT.
- Bit[3]: KLATCH – Keyboard Interrupt latch control bit. 0=KINT is the 8042 KINT ANDed with Latched KINT (default), 1=KINT is the latched 8042 KINT.

See the “Configuration” section for a description of this register.

### 7.11.9 KEYBOARD AND MOUSE PME GENERATION

The LPC47M192 sets the associated PME Status bits when the following conditions occur:

Keyboard Interrupt

- Mouse Interrupt
- Active Edge on Keyboard Data Signal (KDAT)
- Active Edge on Mouse Data Signal (MDAT)

These events can cause a PME to be generated if the associated PME Wake Enable register bit and the global PME\_EN bit are set. Refer to the PME Support section for more details on the PME interface logic and refer to the “Runtime Registers” section for details on the PME Status and Enable registers.

The keyboard interrupt and mouse interrupt PMEs can be generated when the part is powered by VCC. The keyboard data and mouse data PMEs can be generated both when the part is powered by VCC, and when the part is powered by VTR (VCC=0).

When using the keyboard and mouse data signals for wakeup, it may be necessary to isolate the keyboard signals (KCLK, KDAT, MCLK, MDAT) from the 8042 prior to entering certain system sleep states. This is due to the fact that the normal operation of the 8042 can prevent the system from entering a sleep state or trigger false PME events. The LPC47M192 has “isolation” bits for the keyboard and mouse signals, which allow the keyboard and mouse data signals to go into the wakeup logic but block the clock and data signals from the 8042. These bits may be used anytime it is necessary to isolate the 8042 keyboard and mouse signals from the 8042 before entering a system sleep state.

See the SMSC Application Note titled “Using the Enhanced Keyboard and Mouse Wakeup Feature in SMSC Super I/O Parts” for more information.

The bits used to isolate the keyboard and mouse signals from the 8042 are located in Logical Device 7, Register 0xF0 (KRST\_GA20) and are defined below. These bits reset on VTR POR only:

- Bit[6] M\_ISO. Enables/disables isolation of mouse signals into 8042. Does not affect the MDAT signal to the mouse wakeup (PME) logic.
  - 1=block mouse clock and data signals into 8042
  - 0= do not block mouse clock and data signals into 8042
- Bit[5] K\_ISO. Enables/disables isolation of keyboard signals into 8042. Does not affect the KDAT signal to the keyboard wakeup (PME) logic.
  - 1=block keyboard clock and data signals into 8042
  - 0= do not block keyboard clock and data signals into 8042

When the keyboard and/or mouse isolation bits are used, it may be necessary to reset the 8042 upon exiting the sleep state. If either of the isolation bits is set prior to entering a sleep state where VCC goes inactive (S3-S5), then the 8042 must be reset upon exiting the sleep mode. Write 0x40 to global configuration register 0x2C to reset the 8042. The 8042 must then be taken out of reset by writing 0x00 to register 0x2C since the bit that resets the 8042 is not self-clearing. Caution: Bit 6 of configuration register 0x2C is used to put the 8042 into reset - do not set any of the other bits in register 0x2C, as this may produce undesired results.

It is not necessary to reset the 8042 if the isolation bits are used for a sleep state where VCC does not go inactive (S1, S2).

#### User Note Regarding External Keyboard and Mouse:

This is an application matter resulting from the behavior of the external 8042 in the keyboard.

When the external keyboard and external mouse are powered up, the KDAT and MDAT lines are driven low. This sets the KBD bit (D3) and the MOUSE bit (D4) of the PME Wake Status Register since the KDAT and MDAT signals cannot be isolated internal to the part. This causes an IO\_PME# to be generated if the keyboard and/or mouse PME



events are enabled. Note that the keyboard and mouse isolation bits only prevent the internal 8042 in the part from setting these status bits.

### Case 1: Keyboard and/or Mouse Powered by VTR

The KBD and/or MOUSE status bits will be set upon a VTR POR if the keyboard and/or mouse are powered by VTR. In this case, an IO\_PME# will not be generated, since the keyboard and mouse PME enable bits are reset to zero on a VTR POR. The BIOS software needs to clear these PME status bits after power-up.

### Case 2: Keyboard and/or Mouse Powered by VCC

The KBD and/or MOUSE status bits will be set upon a VCC POR if the keyboard and/or mouse are powered by VCC. In this case, an IO\_PME# will be generated if the enable bits were set for wakeup, since the keyboard and mouse PME enable bits are VTR powered. Therefore, if the keyboard and mouse are powered by VCC, the enable bits for keyboard and mouse events should be cleared prior to entering a sleep state where VCC is removed (i.e., S3) to prevent a false PME from being generated. In this case, the keyboard and mouse should only be used as PME and/or wake events from the S0 and/or S1 states. The BIOS software needs to clear these PME status bits after power-up.

## 7.12 GENERAL PURPOSE I/O

The LPC47M192 provides a set of flexible Input/Output control functions to the system designer through the 37 independently programmable General Purpose I/O pins (GPIO). The GPIO pins can perform basic I/O and many of them can be individually enabled to generate an SMI and a PME.

### 7.12.1 GPIO PINS

The following pins include GPIO functionality. These pins are defined in the table below. All GPIOs default to the GPIO function except for GP34 and GP35 which default to IRRX2 and IRTX2.

GPIO PIN						GPIO REGISTER							
PIN#	PIN NAME (Default Func/ Alternate Funcs)	PWR WELL	PCI RESET	VCC POR	VTR POR	REG OFFS ET (hex)	REG	PCI RESET	VCC POR	VTR POR	SOFT RESET	SMI/PME	NOTES
32	GP10/J1B1	VCC	-	-	In	23	GP10	-	-	0x01	-	PME	1
33	GP11/J1B2	VCC	-	-	In	24	GP11	-	-	0x01	-	PME	1
34	GP12 /J2B1	VCC	-	-	In	25	GP12	-	-	0x01	-	PME	1
35	GP13 /J2B2	VCC	-	-	In	26	GP13	-	-	0x01	-	PME	1
36	GP14 /J1X	VCC	-	-	In	27	GP14	-	-	0x01	-	PME	1
37	GP15 /J1Y	VCC	-	-	In	28	GP15	-	-	0x01	-	PME	1
38	GP16 /J2X	VCC	-	-	In	29	GP16	-	-	0x01	-	PME	1
39	GP17 /J2Y	VCC	-	-	In	2A	GP17	-	-	0x01	-	PME	1
41	GP20/P17	VCC	-	-	In	2B	GP20	-	-	0x01	-	SMI/PME	1
42	GP21/P16/nDS1	VCC	-	-	In	2C	GP21	-	-	0x01	-	SMI/PME	1
43	GP22/P12/nMTR1	VCC	-	-	In	2D	GP22	-	-	0x01	-	SMI/PME	1
45	GP24/SYSOPT	VCC	-	-	In	2F	GP24	-	-	0x01	-	SMI/PME	1
46	GP25/MIDI_IN	VCC	-	-	In	30	GP25	-	-	0x01	-	SMI/PME	1
47	GP26/MIDI_OUT	VCC	-	-	In	31	GP26	-	-	0x01	-	SMI/PME	1
50	GP27/nIO_SMI	VCC	-	-	In	32	GP27	-	-	0x01	-	nIO_SMI/PME	1
51	GP30/FAN_TACH2	VCC	-	-	In	33	GP30	-	-	0x01	-	SMI/PME	1
52	GP31/FAN_TACH1	VCC	-	-	In	34	GP31	-	-	0x01	-	SMI/PME	1
54	GP32/FAN2	VCC	Out – low	Out– low	In	35	GP32	0x00	0x00	0x01	-	SMI/PME	1, 2
55	GP33/FAN1	VCC	Out – low	Out– low	In	36	GP33	0x00	0x00	0x01	-	SMI/PME	1, 2
61	IRRX2/GP34	VCC	-	-	In	37	GP34	-	-	0x05	-	SMI	
62	IRTX2/GP35	VTR	Out – low	Out– low	Out – low	38	GP35	0x04	0x04	0x04	-	-	3, 4
63	GP36/nKBDRST	VCC	-	-	In	39	GP36	-	-	0x01	-	-	
64	GP37/A20M	VCC	-	-	In	3A	GP37	-	-	0x01	-	-	
1	GP40/DRVDE0	VCC	-	-	In	3B	GP40	-	-	0x01	-	-	
2	GP41/DRVDE1	VCC	-	-	In	3C	GP41	-	-	0x01	-	SMI/PME	1
17	GP42/nIO_PME	VTR	-	-	In	3D	GP42	-	-	0x01	-	SMI/nIO_PME	

GPIO PIN						GPIO REGISTER							
PIN#	PIN NAME (Default Func/ Alternate Funcs)	PWR WELL	PCI RESET	VCC POR	VTR POR	REG OFFS ET (hex)	REG	PCI RESET	VCC POR	VTR POR	SOFT RESET	SMI/PME	NOTES
28	GP43/DDRC	VCC	In	In	In	3E	GP43	Note 5	Note 5	0x01	-	SMI/PME	1, 5
92	GP50/nRI2	VCC	-	-	In	3F	GP50	-	-	0x01	-	PME	1
94	GP51/nDCD2	VCC	-	-	In	40	GP51	-	-	0x01	-	PME	1
95	GP52/RXD2(IRRX)	VCC	-	-	In	41	GP52	-	-	0x01	-	PME	1
96	GP53/TXD2 (IRTX)	VTR	Out – low	Out– low	Out– low	42	GP53	0x00	0x00	0x00	-	PME	1, 3
97	GP54/nDSR2	VCC	-	-	In	43	GP54	-	-	0x01	-	SMI/PME	1
98	GP55/nRTS2	VCC	-	-	In	44	GP55	-	-	0x01	-	SMI/PME	1
99	GP56/nCTS2	VCC	-	-	In	45	GP56	-	-	0x01	-	SMI/PME	1
100	GP57/nDTR2	VCC	-	-	In	46	GP57	-	-	0x01	-	SMI/PME	1
48	GP60/LED1	VTR	-	-	In	47	GP60	-	-	0x01	-	SMI/PME	1
49	GP61/LED2	VTR	-	-	In	48	GP61	-	-	0x01	-	SMI/PME	1

**Note 1:** These pins are inputs to VCC and VTR powered logic.

**Note 2:** The fan control pins (FAN1 and FAN2) come up as outputs and low following a VCC POR and PCI Reset.

**Note 3:** The IRTX pins (IRTX2/GP35 and GP53/TXD2(IRTX)) are driven low when the part is powered by VTR (VCC=0V with VTR=3.3V). These pins will remain low following a VCC POR until IRTX function is selected by setting the activate bit, at which time the pin will reflect the state of the transmit output of the IR block. It will remain low following a VCC POR until GPIO input function is selected, at which time the pin will reflect the state of the GPIO data bit. The GP53/TXD2 (IRTX) pin will remain low following a VCC POR (in addition to conditions stated above) until serial port 2 is enabled by setting the activate bit, at which time the pin will reflect the state of the transmit output of the Serial Port 2 block.

**Note 4:** These pins are inputs to VCC powered logic.

**Note 5:** Bits [3:2] (Alternate Function Select bits) of this register are reset (cleared) on VCC POR and PCI Reset (and VTR POR).

## 7.12.2 DESCRIPTION

Each GPIO port has a 1-bit data register and an 8-bit configuration control register. The data register for each GPIO port is represented as a bit in one of the 8-bit GPIO DATA Registers, GP1 to GP6. The bits in these registers reflect the value of the associated GPIO pin as follows. Pin is an input: The bit is the value of the GPIO pin. Pin is an output: The value written to the bit goes to the GPIO pin. Latched on read and write. All of the GPIO registers are located in the PME block see “Run Time Register” section. The GPIO ports with their alternate functions and configuration state register addresses are listed in Table 53.

**Table 53 - General Purpose I/O Port Assignments**

QFP PIN#	DEFAULT FUNCTION	ALT. FUNC. 1	ALT. FUNC. 2	ALT. FUNC. 3	DATA REGISTER <sup>1</sup>	DATA REGISTER BIT NO.	REGISTER OFFSET (HEX)
32	GPIO	Joystick 1 Button 1			GP1	0	4B
33	GPIO	Joystick 1 Button 2				1	
34	GPIO	Joystick 2 Button 1				2	
35	GPIO	Joystick 2 Button 2				3	
36	GPIO	Joystick 1 X-Axis				4	
37	GPIO	Joystick 1 Y-Axis				5	
38	GPIO	Joystick 2 X-Axis				6	
39	GPIO	Joystick 2 Y-Axis				7	
41	GPIO	P17			GP2	0	4C
42	GPIO	P16	EETI			1	
43	GPIO	P12	EETI			2	
N/A	Reserved					3	
45	GPIO (System Option)					4	
46	GPIO	MIDI_IN				5	
47	GPIO	MIDI_OUT				6	

QFP PIN#	DEFAULT FUNCTION	ALT. FUNC. 1	ALT. FUNC. 2	ALT. FUNC. 3	DATA REGISTER <sup>1</sup>	DATA REGISTER BIT NO.	REGISTER OFFSET (HEX)		
50	GPIO	SMI Output				7			
51	GPIO	Fan Tachometer 2			GP3	0	4D		
52	GPIO	Fan Tachometer 1				1			
54	GPIO	Fan Speed Control 2				2			
55	GPIO	Fan Speed Control 1				3			
61	Infrared Rx	GPIO				4			
62	Infrared Tx	GPIO				5			
63	GPIO	Keyboard Reset				6			
64	GPIO	Gate A20				7			
1	GPIO	Drive Density Select 0			GP4	0	4E		
2	GPIO	Drive Density Select 1	EETI			1			
17	GPIO	Power Management Event				2			
28	GPIO	Device Disable Reg. Control		EETI		3			
N/A	Reserved					7:4			
92	GPIO	Ring Indicator 2			GP5	0	4F		
94	GPIO	Data Carrier Detect 2				1			
95	GPIO	Receive Serial Data 2				2			
96	GPIO	Transmit Serial Data 2				3			
97	GPIO	Data Set Ready 2				4			
98	GPIO	Request to Send 2				5			
99	GPIO	Clear to Send 2				6			
100	GPIO	Date Terminal Ready				7			
48	GPIO	LED	EETI			GP6		0	50
49	GPIO	LED	EETI					1	
N/A	Reserved				7:2				

**Note 1:** The GPIO Data and Configuration Registers are located in PME block at the offset shown from the PME\_BLK address.

### 7.12.3 GPIO CONTROL

Each GPIO port has an 8-bit control register that controls the behavior of the pin. These registers are defined in the “Runtime Registers” section of this specification.

Each GPIO port may be configured as either an input or an output. If the pin is configured as an output, it can be programmed as open-drain or push-pull. Inputs and outputs can be configured as non-inverting or inverting. Bit[0] of each GPIO Configuration Register determines the port direction, bit[1] determines the signal polarity, and bit[7] determines the output driver type select. The GPIO configuration register Output Type select bit[7] applies to GPIO functions and the nSMI Alternate functions.

The Polarity Bit (bit 1) of the GPIO control registers control the GPIO pin when the pin is configured for the GPIO function and when the pin is configured for the alternate function for all pins, with the exception of the DDRRC function on GP43, the analog game port pins (J1X, J1Y, J2X, J2Y) and the either edge triggered interrupts. When the alternate function is selected for the analog joystick pins (GP14, GP15, GP16 and GP17), these pins become open drain, non-inverted outputs.

The basic GPIO configuration options are summarized in Table 54.

**Table 54 - GPIO Configuration Summary**

SELECTED FUNCTION	DIRECTION BIT	POLARITY BIT	DESCRIPTION
	B0	B1	
GPIO	0	0	Pin is a non-inverted output.
	0	1	Pin is an inverted output.
	1	0	Pin is a non-inverted input.
	1	1	Pin is an inverted input.



0x61 in Logical Device A. The PME status bits for the GPIOs are cleared on a write of '1'. In addition, the LPC47M192 provides 19 GPIOs that can directly generate an SMI. See the table in the next section.

### 7.12.5 GPIO PME AND SMI FUNCTIONALITY

The following GPIOs are dedicated wakeup GPIOs with a status and enable bit in the PME status and enable registers:

- GP10-GP17
- GP20-GP22, GP24-GP27
- GP30-GP33
- GP41, GP43
- GP50-GP57
- GP60, GP61

The following PME status and enable registers for these GPIOs:

- PME\_STS2 and PME\_EN2 for GP10-GP17
- PME\_STS3 and PME\_EN3 for GP20-GP22, GP24-GP27
- PME\_STS4 and PME\_EN4 for GP30-GP33, GP41, GP43, GP60 and GP61
- PME\_STS5 and PME\_EN5 for GP50-GP57

The following GPIOs can directly generate an SMI and have a status and enable bit in the SMI status and enable registers.

- GP20-GP22, GP24-GP26
- GP30-GP33
- GP41, GP42, GP43
- GP54-GP57
- GP60, GP61

The following SMI status and enable registers for these GPIOs:

- SMI\_STS3 and SMI\_EN3 for GP20-GP22, GP24-GP26 and GP60
- SMI\_STS4 and SMI\_EN4 for GP30-GP33, GP41, GP42, GP43 and GP61
- SMI\_STS5 and SMI\_EN5 for GP54-GP57, FAN\_TACH1 and FAN\_TACH2.

The following GPIOs have “either edge triggered interrupt” (EETI) input capability. These GPIOs can generate a PME and an SMI on both a high-to-low and a low-to-high edge on the GPIO pin. These GPIOs have a status bit in the MSC\_STS status register that is set on both edges. The corresponding bits in the PME and SMI status registers are also set on both edges.

- GP21, GP22
- GP41, GP43
- GP60, GP61

The following table summarizes the PME and SMI functionality for each GPIO. It also shows the Either Edge Triggered Interrupt (EETI) input capability for the GPIOs and the power source for the buffer on the I/O pads.

GPIO	PME	SMI	EETI	Buffer Power	Notes
GP10-GP17	Yes	No	No	VCC	4
GP20-GP22, GP24-GP26	Yes	Yes	GP21, GP22	VCC	4
GP27	Yes	nIO_SMI	No	VCC	4
GP30, GP31	Yes	Yes	No	VCC	4
GP32, GP33	Yes	Yes	No	VCC	5
GP34	No	Yes	No	VCC	
GP35	No	No	No	VTR	1
GP36, GP37	No	No	No	VCC	2
GP40	No	No	No	VCC	2
GP41	Yes	Yes	Yes	VCC	4
GP42	nIO_PME	Yes	No	VTR	
GP43	Yes	Yes	Yes	VCC	4, 6
GP50-GP52	Yes	No	No	VCC	4
GP53	Yes	No	No	VTR	1, 5
GP54-GP57	Yes	Yes	No	VCC	4
GP60, GP61	Yes	Yes	Yes	VTR	3, 4

**Note 1:** GP35 and GP53 have the IRTX function and their output buffers are powered by VTR so that the pins are always forced low when not used.

- Note 2:** GP36-GP37 and GP40 should not be connected to any VTR powered external circuitry. These pins are not used for wakeup.
- Note 3:** GP60 and GP61 have LED functionality which must be active under VTR so its buffer is powered by VTR.
- Note 4:** These pins can be used for wakeup events to generate a PME while the part is under VTR power (VCC=0).
- Note 5:** These pins cannot be used for wakeup events to generate a PME while the part is under VTR power (VCC=0). The GP32, GP33 and GP53 pins come up as output and low on a VCC POR and PCI reset.
- Note 6:** GP43 defaults to the GPIO function on VCC POR and PCI Reset.

### 7.12.6 EITHER EDGE TRIGGERED INTERRUPTS

Six GPIO pins are implemented such that they allow an interrupt (PME or SMI) to be generated on both a high-to-low and a low-to-high edge transition, instead of one or the other as selected by the polarity bit.

The either edge triggered interrupts (EETI) function as follows: If the EETI function is selected for the GPIO pin, then the bits that control input/output, polarity and open drain/push-pull have no effect on the function of the pin. However, the polarity bit does affect the value of the GP bit (i.e., register GP2, bit 2 for GP22).

A PME or SMI interrupt occurs if the PME or SMI enable bit is set for the corresponding GPIO and the EETI function is selected on the GPIO. The PME or SMI status bits are set when the EETI pin transitions (on either edge) and are cleared on a write of '1'. There are also status bits for the EETIs located in the MSC\_STS register, which are also cleared on a write of '1'. The MSC\_STS register provides the status of all of the EETI interrupts within one register. The PME, SMI or MSC status is valid whether or not the interrupt is enabled and whether or not the EETI function is selected for the pin.

Miscellaneous Status Register (MSC\_STS) is for the either edge triggered interrupt status bits. If the EETI function is selected for a GPIO then both a high-to-low and a low-to-high edge will set the corresponding MSC status bits. Status bits are cleared on a write of '1'. See the "Runtime Registers" section for more information.

The configuration register for the either edge triggered interrupt status bits is defined in the "Runtime Registers" section.

### 7.12.7 LED FUNCTIONALITY

The LPC47M192 provides LED functionality on two GPIOs, GP60 and GP61. These pins can be configured to turn the LED on and off and blink independent of each other through the LED1 and LED2 runtime registers at offset 0x5D and 0x5E from the base address located in the primary base I/O address in Logical Device A.

The LED pins (GP60 and GP61) are able to control the LED while the part is under VTR power with VCC removed. In order to control a LED while the part is under VTR power, the GPIO pin must be configured for the LED function and either open drain or push-pull buffer type. In the case of open-drain buffer type, the pin is capable of sinking current to control the LED. In the case of push-pull buffer type, the part will source current. The part is also able to blink the LED under VTR power. The LED will not blink under VTR power (VCC removed) if the external 32kHz clock is not connected.

The LED pins can drive a LED when the buffer type is configured to be push-pull and the part is powered by either VCC or VTR, since the buffers for these pins are powered by VTR. This means they will source their specified current from VTR even when VCC is present.

The LED control registers are defined in the "Runtime Register" section.

## 7.13 SYSTEM MANAGEMENT INTERRUPT (SMI)

The LPC47M192 implements a "group" nIO\_SMI output pin. The System Management Interrupt is a non-maskable interrupt with the highest priority level used for OS transparent power management. The nSMI group interrupt output consists of the enabled interrupts from each of the functional blocks in the chip and many of the GPIOs and the Fan tachometer pins. The GP27/nIO\_SMI pin, when selected for the nIO\_SMI function, can be programmed to be active high or active low via the polarity bit in the GP27 register. The output buffer type of the pin can be programmed to be open-drain or push-pull via bit 7 of the GP27 register. The nIO\_SMI pin function defaults to active low, open-drain output.

The interrupts are enabled onto the group nSMI output via the SMI Enable Registers 1 to 5. The nSMI output is then enabled onto the group nIO\_SMI output pin via bit[7] in the SMI Enable Register 2. The SMI output can also be

enabled onto the serial IRQ stream (IRQ2) via Bit[6] in the SMI Enable Register 2. The internal SMI can also be enabled onto the nIO\_PME pin. Bit[5] of the SMI Enable Register 2 is used to enable the SMI output onto the nIO\_PME pin (GP42). This bit will enable the internal SMI output into the PME logic through the DEVINT\_STS bit in PME\_STS3. See PME section for more details.

An example logic equation for the nSMI output for SMI registers 1 and 2 is as follows:

$$\text{nSMI} = (\text{EN\_PINT and IRQ\_PINT}) \text{ or } (\text{EN\_U2INT and IRQ\_U2INT}) \text{ or } (\text{EN\_U1INT and IRQ\_U1INT}) \text{ or } (\text{EN\_FINT and IRQ\_FINT}) \text{ or } (\text{EN\_MPU401 and IRQ\_MPU401}) \text{ or } (\text{EN\_MINT and IRQ\_MINT}) \text{ or } (\text{EN\_KINT and IRQ\_KINT}) \text{ or } (\text{EN\_IRINT and IRQ\_IRINT}) \text{ or } \text{ENP12 and IRQ\_P12}$$

**Note:** The prefixes EN and IRQ are used above to indicate SMI enable bit and SMI status bit respectively.

### 7.13.1 SMI REGISTERS

The SMI event bits for the GPIOs and the Fan tachometer events are located in the SMI status and Enable registers 3-5. The polarity of the edge used to set the status bit and generate an SMI is controlled by the polarity bit of the control registers. For non-inverted polarity (default) the status bit is set on the low-to-high edge. If the EETI function is selected for a GPIO then both a high-to-low and a low-to-high edge will set the corresponding SMI status bit. Status bits for the GPIOs are cleared on a write of '1'.

The SMI logic for these events is implemented such that the output of the status bit for each event is combined with the corresponding enable bit in order to generate an SMI.

The SMI registers are accessed at an offset from PME\_BLK (see "Runtime Registers" section for more information).

The SMI event bits for the super I/O devices are located in the SMI status and enable register 1 and 2. All of these status bits are cleared at the source except for IRINT, which is cleared by a read of the SMI\_STS2 register; these status bits are not cleared by a write of '1'. The SMI logic for these events is implemented such that each event is directly combined with the corresponding enable bit in order to generate an SMI.

See the "Runtime Registers" section for the definition of these registers.

## 7.14 PME SUPPORT

The LPC47M192 offers support for power management events (PMEs), also referred to as a System Control Interrupt (SCI) events in an ACPI system. A power management event is indicated to the chipset via the assertion of the nIO\_PME signal. In the LPC47M192, the nIO\_PME is asserted by active transitions on the ring indicator inputs nRI1 and nRI2, valid NEC infrared remote control frames, active keyboard-data edges, active mouse-data edges, programmable edges on GPIO pins and fan tachometer event. The GP42/nIO\_PME pin, when selected for the nIO\_PME function, can be programmed to be active high or active low via the polarity bit in the GP42 register. The output buffer type of the pin can be programmed to be open-drain or push-pull via bit 7 of the GP42 register. The nIO\_PME pin function defaults to active low, open-drain output.

**Note:** If the nRI2 pin is used for wakeup, the inactive state of the TXD2 pin may need to be changed. See the IR Transmit Pin section.

The PME functionality is controlled by the PME status and enable registers in the runtime registers block, which is located at the address programmed in configuration registers 0x60 and 0x61 in Logical Device A. The PME Enable bit, PME\_EN, globally controls PME Wake-up events. When PME\_EN is inactive, the nIO\_PME signal can not be asserted. When PME\_EN is asserted, any wake source whose individual PME Wake Enable register bit is asserted can cause nIO\_PME to become asserted.

The PME Status register indicates that an enabled wake source has occurred, and if the PME\_EN bit is set, asserted the nIO\_PME signal. The PME Status bit is asserted by active transitions of PME wake sources. PME\_Status will become asserted independent of the state of the global PME enable bit, PME\_EN.

The following pertains to the PME status bits for each event:

- The output of the status bit for each event is combined with the corresponding enable bit to set the PME status bit.
- The status bit for any pending events must be cleared in order to clear the PME\_STS bit. Status bits are cleared on a write of '1'.

For the GPIO events, the polarity of the edge used to set the status bit and generate a PME is controlled by the polarity bit of the GPIO control register. For non-inverted polarity (default) the status bit is set on the low-to-high edge. If the EETI function is selected for a GPIO then both a high-to-low and a low-to-high edge will set the corresponding PME status bits. Status bits are cleared on a write of '1'.

The PME Wake registers also include status and enable bits for the fan tachometer input.

See the "Keyboard and Mouse PME Generation" section for information about using the keyboard and mouse signals to generate a PME.

In the LPC47M192 the nIO\_PME pin can be programmed to be an open drain, active low, driver. The LPC47M192 nIO\_PME pin is fully isolated from other external devices that might pull the nIO\_PME signal low; i.e., the nIO\_PME signal is capable of being driven high externally by another active device or pullup even when the LPC47M192 VCC is grounded, providing VTR power is active. The LPC47M192 nIO\_PME driver sinks 6mA at .55V max (see section 4.2.1.1 DC Specifications, page 122, in the "PCI Local Bus Specification," revision 2.1).

The PME registers are run-time registers as follows. These registers are located in system I/O space at an offset from PME\_BLK, the address programmed in Logical Device A at registers 0x60 and 0x61.

The following registers are for GPIO wakeup events:

- PME Wake Status 2 (PME\_STS2), PME Wake Enable 2 (PME\_EN2)
- PME Wake Status 3 (PME\_STS3), PME Wake Enable 3 (PME\_EN3)
- PME Wake Status 4 (PME\_STS4), PME Wake Enable 4 (PME\_EN4)
- PME Wake Status 5 (PME\_STS5), PME Wake Enable 5 (PME\_EN5)

See PME register description in the "Runtime Registers" Section.

#### Enabling SMI Events onto the PME Pin

There is a bit in the PME Status Register 3 to show the status of the internal "group" SMI signal in the PME logic (if bit 5 of the SMI\_EN2 register is set). This bit, DEVINT\_STS, is at bit 3 of the PME\_STS3 register. This bit is defined as follows:

- 0=The group SMI output is inactive.
- 1 = The group SMI output is active.

**Note:** Bit 5 of the SMI\_EN2 register must also be set. This bit is cleared on a write of '1'.

There is a bit in the PME Enable Register 3 to enable the SMI onto the nIO\_PME pin (if the nIO\_PME function is selected for GP42). This bit, DEVINT\_EN, is at bit 3 of the PME\_EN3 register. This bit will enable the internal "group" SMI signal (if bit 5 of the SMI\_EN2 register is set) into the PME logic through the DEVINT\_STS bit as follows: If the DEVINT\_EN bit is '1' and the DEVINT\_STS bit is '1' then the nIO\_PME pin will be active. This pin has its polarity controlled by the polarity bit in the GP42 register.

This bit is defined as follows:

- 0 = Disable group SMI output from the nIO\_PME pin.
- 1 = Enable group SMI output onto the nIO\_PME pin. That is, if this bit is set and the DEVINT\_STS bit is set then a nPME is generated.

**Note:** Bit 5 of the SMI\_EN2 register must also be set.

#### 7.14.1 'WAKE ON SPECIFIC KEY' OPTION

The LPC47M192 has logic to detect a single keyboard scan code for wakeup (PME generation). The scan code is programmed onto the Keyboard Scan Code Register, a runtime register at offset 0x5F from the base address located in the primary base I/O address in Logical Device A. This register is powered by VTR and reset on VTR POR.

The PME status bit for this event is located in the PME\_STS1 register at bit 5 and the PME enable bit for this event is located in the PME\_EN1 register at bit 5. See the "Runtime Registers" section for a definition of these registers.

Data transmissions from the keyboard consist of an 11-bit serial data stream. A logic 1 is sent at an active high level. The following table shows the functions of the bits.



Bit	Function
1	Start bit (always 0)
2	Data bit 0 (least significant bit)
3	Data bit 1
4	Data bit 2
5	Data bit 3
6	Data bit 4
7	Data bit 5
8	Data bit 6
9	Data bit 7 (most significant bit)
10	Parity bit (odd parity)
11	Stop Bit (always 1)

The timing for the keyboard clock and data signals are shown in the “Timing Diagrams” section.

The process to find a match for the scan code stored in the Keyboard Scan Code register is as follows: Begin sampling the data at the first falling edge of the keyboard clock following a period where the clock line has been high for 115-145usec. The data at this first clock edge is the start bit. The first data bit follows the start bit (clock 2). Sample the data on each falling edge of the clock. Store the eight bits following the stop bit to compare with the scan code stored in the Keyboard Scan Code register. Sample the comparator within 100usec of the falling edge of clock 9 (for example, at clock 10).

Sample the parity bit and check that the 8 data bits plus the parity bit always have an odd number of 1's (odd parity).

Repeat until a match is found. If the 8 data bits match the scan code stored in the Keyboard Scan Code register and the parity is correct, then it is considered a match. When a match is found and if the stop bit is 1, set the event status bit (bit 5 of the PME\_STS1 register) to '1' within 100usec of the falling edge of clock 10.

The state machine will reset after 11 clocks and the process will restart. The process will continue until it is shut off by setting the SPEKEY\_EN bit (see following sub-section).

The state machine will reset if there is a period where the clock remains high for more than one keyboard clock period (115-145usec) in the middle of the transmission (i.e., before clock 11). This is to prevent the generation of a false PME.

The SPEKEY\_EN bit at bit 1 of the CLOCKI32 register at 0xF0 in Logical Device A is used to control the “wake-on-specific feature. This bit is used to turn the logic for this feature on and off. It will disable the 32kHz clock input to the logic. The logic will draw no power when disabled. The bit is defined as follows:

0= “Wake on specific key” logic is on (default)

1= “Wake on specific key” logic is off

**Note:** The generation of a PME for this event is controlled by the PME enable bit (located in the PME\_EN1 register at bit 5) when the logic for feature is turned on.

## 7.15 FAN SPEED CONTROL AND MONITORING

The LPC47M192 can control the speed of two separate fans as well as monitor them if they are equipped with fan tachometer outputs. The following sections will clarify how this chip controls the speed of a fan and its' monitoring capabilities.

### 7.15.1 FAN SPEED CONTROL

The fan speed control for the LPC47M192 is implemented as pulse width modulators with fan clock speed selection.

There are two pins, FAN1 and FAN2 (pins 55 and 54 respectively), that can control the speed of two separate fans. These signals are controlled by the Runtime registers FANx and Fan Control that are described below (see also section 8 – **RUNTIME REGISTERS**).

**Note:** These fan control pins come up as outputs and are low following a VCC POR and PCI Reset. These pins may not be used for wakeup events under VTR power (VCC=0).

## Fan Speed Control Summary

The following table illustrates the different modes for the fans.

**Table 56 - Different Modes for Fan**

FANx Clock Control Bit (Note 1)	FANx Clock Multiplier Bit (Note 2)	FANx Clock Source Select Bit (Note 3)	FANx Clock Select Bit (Note 4)	F <sub>out</sub>	6-Bit Duty Cycle Control bits[6:1] (DCC)	Duty Cycle (%)
0	X	X	X	0Hz – LOW	0	-
0	0	0	0	15.625kHz	1-63	(DCC/64) x 100
0	0	0	1	23.438kHz		
0	0	1	0	40Hz		
0	0	1	1	60Hz		
0	1	0	0	31.25kHz		
0	1	0	1	46.876kHz		
0	1	1	0	80Hz		
0	1	1	1	120Hz		
1	X	X	X	0Hz – HIGH		

**Note 1:** This is FANx Register Bit 0

**Note 2:** This is Fan Control Register Bit 2 or 3

**Note 3:** This is Fan Control Register Bit 0 or 1

**Note 4:** This is FANx Register Bit 7

## FANx Registers

The FAN1 and FAN2 Registers are located at 0x56 and 0x57 from base I/O in Logical Device A. The bits are defined below. See the register description in the “Runtime Registers” section.

- Fan x Clock Select Bit, D7**  
 The Fan x Clock select bit in the FANx registers is used with the Fan x Clock Source Select and the Fan x Clock Multiplier bits in the Fan Control register to determine the fan speed F<sub>OUT</sub>. See Table 56 above.
- Duty Cycle Control for Fan x, Bits D6 – D1**  
 The Duty Cycle Control (DCC) bits determine the fan duty cycle. The LPC47M192 has ≈1.56% duty cycle resolution. When DCC = “000000” (min. value), F<sub>OUT</sub> is always low. When DCC is “111111” (max. value), F<sub>OUT</sub> is almost always high; i.e., high for 63/64<sup>th</sup> and low for 1/64<sup>th</sup> of the F<sub>OUT</sub> period. Generally, the F<sub>OUT</sub> duty cycle (%) is (DCC/64) x 100.
- Fan x Clock Control, Bit D0**  
 The Fan x Clock Control bit D0 is used to override the Duty Cycle Control for Fan x bits and force F<sub>OUT</sub> always high. When D0 = “0”, the DCC bits determine the F<sub>OUT</sub> duty cycle. When D0 = 1, F<sub>OUT</sub> is always high, regardless of the state of the DCC bits.

## Fan Control Register

The Fan Control Register is located at 0x58 from base I/O in Logical Device A. The bits are defined below. See the register description in the “Runtime Registers” section.

- Fan x Count Divisor, Bits D7-D6 / D5-D4**  
 Fan x Count Divisor bit in Fan Control Register is used to determine fan tachometer count. The choices for the divisor are 1, 2, 4 and 8. See “Fan Tachometer Input” section.
- Fan x Clock Multiplier, Bits D3 / D2**  
 The Fan x Clock Multiplier bit is used with the Fan x Clock Source Select bit in the Fan Control Register and the Fan x Clock Select bit in Fan register to determine the F<sub>OUT</sub>. When the Fan x Clock Multiplier bit = “0”, no clock multiplier is used. When the Fan x Clock Multiplier bit = “1”, the clock speed determined by the Fan x Clock Source Select bit is doubled.
- Fan x Clock Source Select, Bits D1 / D0**  
 The Fan x Clock Source Select and the Fan x Clock Multiplier bits in the Fan Control register is used with the Fan x Clock Select bit in the Fan x registers to determine the fan speed F<sub>OUT</sub>. See Table 56 above.

## 7.15.2 FAN SPEED MONITORING

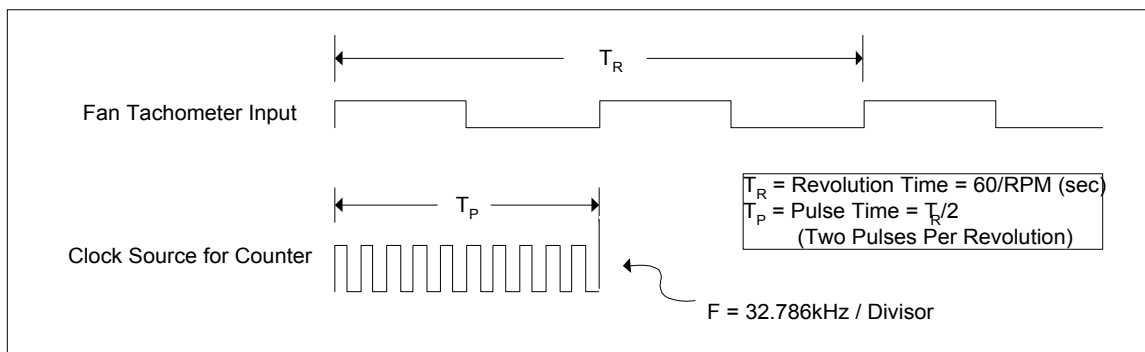
The LPC47M192 monitors the speed of the fans by utilizing fan tachometer input signals from fans equipped with tachometer outputs. There are two pins that can be configured as the fan tachometer inputs (pins 51 and 52) which

are monitored by using the Fan Tachometer registers. These signals, as well as the Fan Tachometer registers, are described below (see also section 8 – **RUNTIME REGISTERS**).

### Fan Tachometer Inputs

A fan tachometer input is used to measure the speed at which a fan is rotating. The fan tachometer input is a train of square pulses with a 50% duty cycle (see FIGURE 8) that are derived from the magnetic fields generated by the rotating rotor of the fan. The speed of the fan can be determined by calculating the period of the Fan Tachometer input pulse.

**Note:** All calculations are based on fans that emit 2 square pulses per revolution.



**FIGURE 8 – FAN TACHOMETER INPUT AND CLOCK SOURCE**

The counter is used to determine the period of the Fan Tachometer input pulse. This counter, if reset on the rising edge of the fan tachometer input pulse, measures the number of clock pulses generated by the clock source for the duration of one fan tachometer input pulse. Since two fan tachometer input pulses are generated per revolution of the fan rotor, the speed of the fan is easily calculated. Everytime the fan tachometer input resets the counter, it also latches the value of the counter into the Fan Tachometer register. This value is used by the operating system to monitor the speed of the fan.

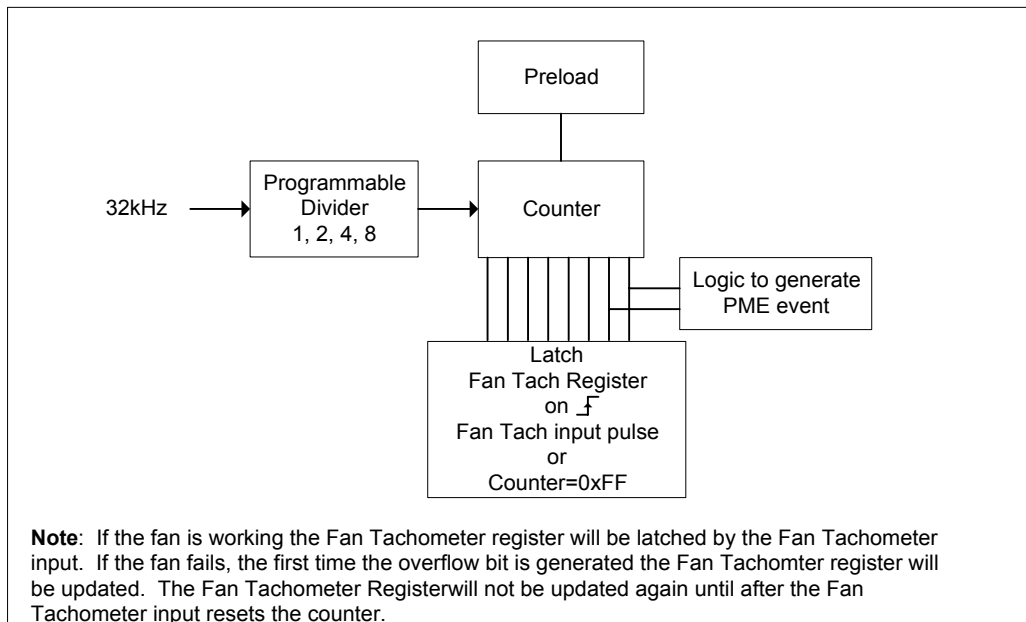
### Fan Monitoring Logic

The clock source for the counter is the output of the programmable divider whose input is the 32.768kHz oscillator (see figure below).

The counter is reset by the rising edge of each fan tachometer input pulse, by itself if it reaches its' maximum count of 0xFF, or by writing to the preload register.

If the fan is functioning, a value is preloaded into the counter on the rising edge of the Fan Tachometer input. The counter counts the number of clock pulses generated for the duration of one Fan Tachometer input pulse. This value (*Count*) is then stored into the Fan Tachometer register. If the fan is operating at 70% (or less) of the maximum capacity, the Count value will be greater than or equal to 192 and thereby generate a PME# signal. To ensure the Fan Tachometer register has been updated if the fan suddenly seizes, a second PME is generated when the counter reaches 0xFF and the Fan Tachometer register is latched again. The Fan Tachometer register will remain at this value until another Fan Tachometer input pulse is received.

A representation of the logic for the fan tachometer implementation is shown below.



**FIGURE 9 – CONCEPTUAL BLOCK DIAGRAM OF FAN MONITORING LOGIC**

### Fan Tachometer Register

The Fan Tachometer registers are used to store the value of the counter that monitors the speed of the associated fan. This value may be used by the operating system to monitor how the fan is functioning.

The ACPI BIOS polls this register periodically to determine the speed at which the fan rotor is revolving. See the *Meatious ACPI/Manageability Specification*, v1.0, dated April 30, 1999. The BIOS looks for particular values in this register to determine the rate at which the fan is functioning. (i.e. Count = FFh; means the fan has stopped). Since the count value must correspond to a particular rate of functioning, the Preload register is used to offset any differences. Therefore, the equation below has been derived to calculate the desired values for Count.

The fan count is determined according to the following equation:

$$\text{Count} = \frac{1}{2} \times \frac{1.966 \times 10^6}{\text{RPM} \times \text{Divisor}} + \text{Preload} \quad (\text{Equation 1})$$

(Term 1)

In addition to the ACPI BIOS polling the register, a PME or SMI is generated at a count of 192, if enabled through the PME or SMI enable register, which corresponds to the “upper limit” for the fan count. This value is made to correspond to the “lower limit” of the RPM for the fan by programming the divisor and preload value accordingly. Typical practice is to consider 70% of normal RPM a fan failure.

### Fan Preload Register

The preload value is programmable via the FAN1 Preload Register and FAN2 Preload Register. The preload is the initial value for the fan count, which is used to adjust the count such that the value of 192 corresponds to the “lower limit” of the RPM. By setting the preload value and divisor properly, a PME or SMI will be generated when the RPM reaches the percentage of the nominal RPM that indicates a fan failure.

Notice in the examples shown below the Preload value was determined to be 32 for a fan that normally operates at 4400 RPMs. This preload value was determined for the case that a PME should be initiated at 70% of normal operation. A PME is generated when the counter reaches 192, but at 70% in this example only 160 counts are generated during one Fan Tachometer input pulse leaving a difference of 32.

### Examples

Term 1 in the equation above is ½ of the value determined by multiplying the clock source of 32.768kHz by 60sec/min and dividing by the product of the revolutions per minute times the divisor. The factor of ½ in Term 1 corresponds to two pulses per revolution. The default divisor, located in the Fan Control Register, is two. This results

in a value for Term 1 in Equation 1 of 111.70 (~112) for a 4400 RPM. The following tables show examples of the desired functionality.

**Note:** All calculations of Count were based on tachometer inputs with two pulses per revolution and on the clock source input divided down by two (default settings).

RPM	Time per Revolution	Term 1 for “Divide by 2” (Default) in Decimal	Preload	Count = (Term 1) + Preload	Comments
4400	13.64 ms	112 counts	32	144	Typical RPM
3080	19.48 ms	160 counts	32	192	70% RPM
2640	22.73 ms	186 counts	32	218	60% RPM
2204	27.22 ms	223 counts	32	255 (maximum count)	50% RPM

The divisor for each fan is programmable via the Fan Control Register, Logical Device A, runtime register 0x58. The choices for the divisor are 1, 2, 4 and 8. The default value is 2.

Mode Select	Nominal RPM	Time per Revolution	Preload	Counts for the Given Speed in Decimal	70% RPM	Time per Revolution for 70% RPM
Divide by 1	8800	6.82 ms	32	144	6160	9.74 ms
Divide by 2	4400	13.64 ms	32	144	3080	19.48 ms
Divide by 4	2200	27.27 ms	32	144	1540	38.96 ms
Divide by 8	1100	54.54 ms	32	144	770	77.92 ms

## 7.16 SECURITY FEATURE

The following register describes the functionality to support security in the LPC47M192.

### 7.16.1 GPIO DEVICE DISABLE REGISTER CONTROL

The GPIO pin GP43 is used for the Device Disable Register Control (DDRC) function. Setting bits[3:2] of the GP43 configuration register to '01', selects the DDRC function for the GP43 pin. When bits[3:2]=01 the GP43 pin is an input, with non-inverted polarity. Bits[3:2] cannot be cleared by writing to these bits; they are cleared by VTR POR, VCC POR and PCI Reset. That is, when the DDRC function is selected for this pin, it cannot be changed, except by a VCC POR, PCI reset or VTR POR.

When the DDRC function is selected for GP43, the Device Disable register is controlled by the value of the GP43 pin as follows:

- If the GP43 pin is high, the Device Disable Register is Read-Only.
- If the GP43 pin is low, the Device Disable Register is Read/Write.

### 7.16.2 DEVICE DISABLE REGISTER

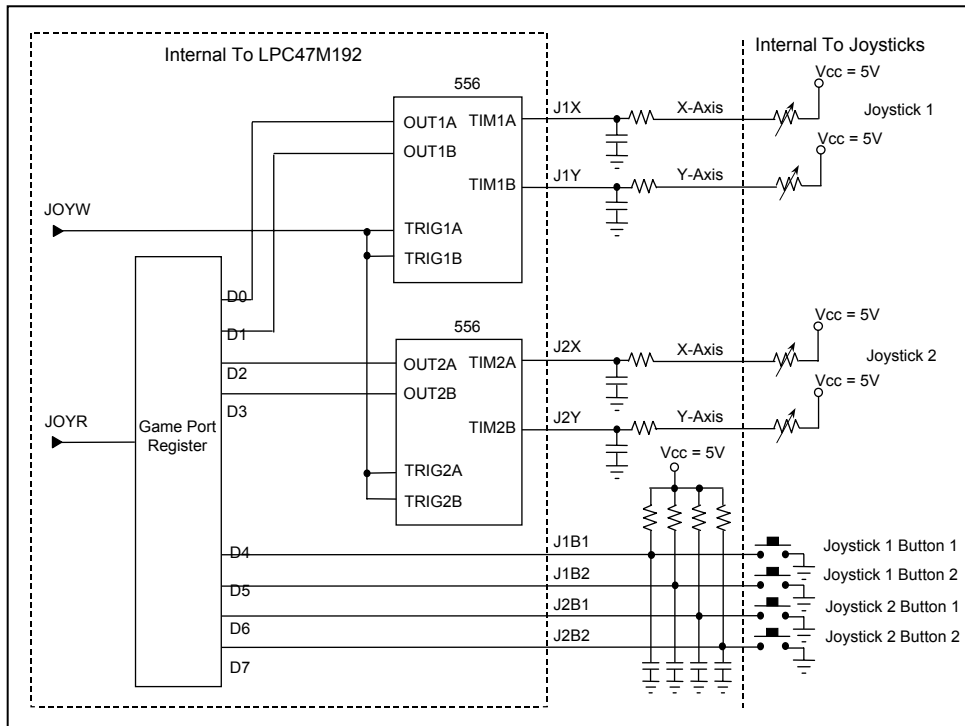
The Device Disable Register is located in the PME register block at offset 0x22 from the PME\_BLK base I/O address in logical device A. Writes to this register are blocked when the GP43 pin is configured for the Device Disable Register Control function (GP43 configuration register bit 2 =1) and the GP43 pin is high.

The configuration register for the device disable register is defined in the “Runtime Registers” section.

## 7.17 GAME PORT LOGIC

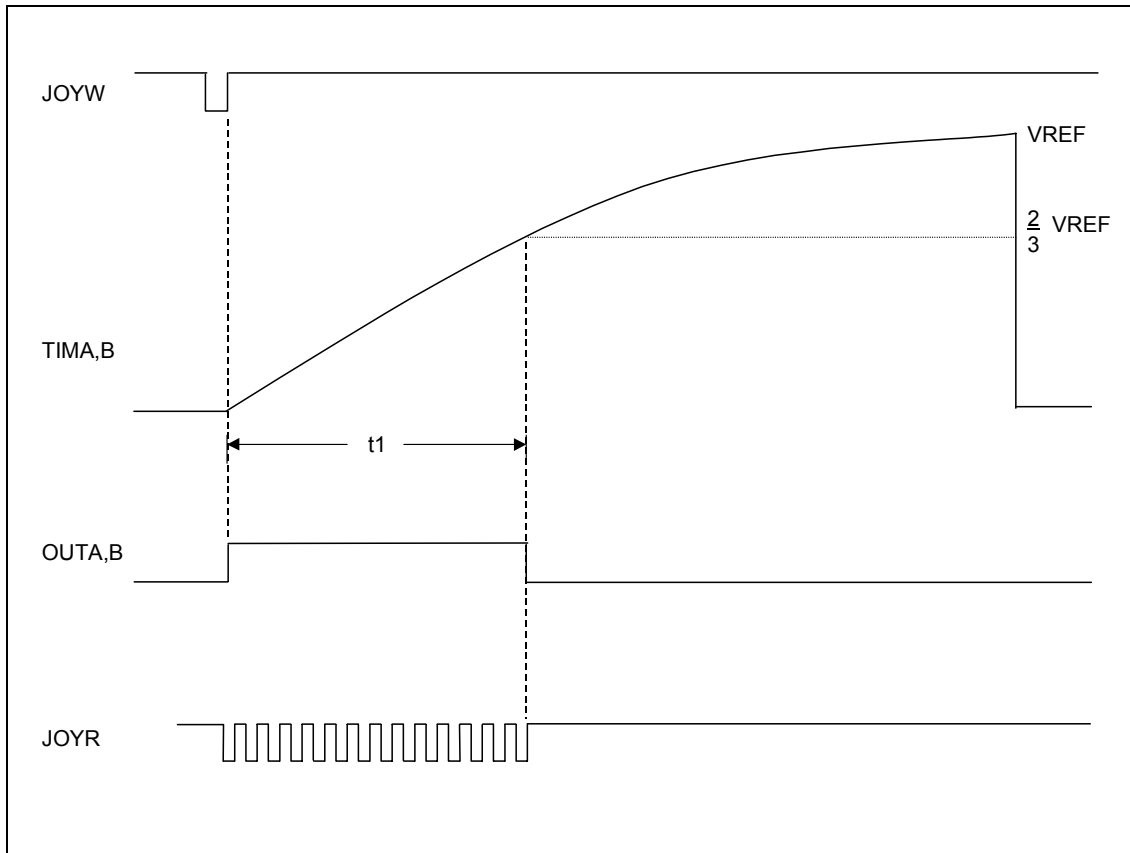
The LPC47M192 implements logic to support a dual game port. This logic includes the following for each game port: two 555 timers, two game port RC constant inputs (x-axis and y-axis), two game port button inputs and game port interface logic. The implementation of the Game Port uses a simple A/D converter constructed from a 555 timer to digitize the analog value of a potentiometer for the x-axis and y-axis of the joystick.

The figure below illustrates the implementation of the game port logic in the LPC47M192.



Game software will write a byte to the game port to reset it, and then poll (read) the port until the x and y-axis RC time constant pins (TIMA,B) time out (return to zero). The elapsed time indicates the resistance value of the potentiometer and in turn, the position of the joystick.

The figure below illustrates the timing of the game port signals. The 556 timers will reset the outputs (OUTA,B) to zero and the RC constant (TIMA,B) pins to zero when the RC constant (TIMA,B) inputs reach 2/3 of VREF as shown. VREF is the voltage on pin 44, which is either 5V or 3.3V. See the "VREF Pin" section.



The game port register is defined below. It is a runtime register located at the address programmed into the base I/O address (GAME\_PORT) in Logical Device 9.

**Note:** Register 0x60 is the high byte; 0x61 is the low byte. For example, to set the primary base address to 1234h, write 12h into 0x60, and 34h into 0x61.

When the activate bit in Logical Device 9 is cleared, it prevents the base I/O address for the game port from being decoded.

## Game Port Register

Register Location: <GAME\_PORT>+0h                      System                      I/O Space  
Default Value: 00h    on    VTR POR  
Attribute: Read-Only  
Size: 8-bits

D7	D6	D5	D4	D3	D2	D1	D0
Button #2 Joystick 2 (J2B2)	Button #1 Joystick 2 (J2B1)	Button #2 Joystick 1 (J1B2)	Button #1 Joystick 1 (J1B1)	Y-Axis Joystick 2 (OUT2B)	X-Axis Joystick 2 (OUT2A)	Y-Axis Joystick 1 (OUT1B)	X-Axis Joystick 1 (OUT1A)

The game port register is a read-only register. However, writing to the game port resets the RC time constant pins (TIMA,B) to zero. The reset of the time constant pins occur on the "back" edge of the write signal (when the write signal goes from its active state to its inactive state).

The game port read (JOYR) will be an IO read to the address programmed into the base IO address in Logical Device 9.

The game port write (JOYW) will be an IO write to the address programmed into the base IO address in Logical Device 9.

### Minimum Rise Time

The fastest rise time on the RC constant pins (minimum RC time constant) for the game port is 20usec.

### 7.17.1 POWER CONTROL REGISTER

Bit 2 in the Power Control Register (CR22) is the power control bit for the game port. This bit has the same function as the activate bit for logical device 9 and shadows the activate bit. The activate bit also shadows the power control bit 2.

### 7.17.2 VREF PIN

The LPC47M192 has a reference voltage pin input on pin 44 of the part. This reference voltage can be connected to either a 5V supply or a 3.3V supply. It is used for the game port.

The reference voltage is used in the game port logic so that the joystick trigger voltage is  $\frac{2}{3}$  VREF where VREF is either 5V or 3.3V. This is to preserve joystick compatibility by maintaining the RC time constant reset trigger voltage of 3.3V (nominal) with VREF=5V (nominal), if required.



## 7.18 Hardware Monitoring Interface

The Hardware Monitoring Block is a standalone block in the 2. It can be accessed using SMBus interface. This block is used to monitor +1.5, +1.8, +2.5V, +3.3V, +5V, +12V and Vccp (core processor) voltages. It can also monitor its own internal HVCC or HVSB. The block can be used to measure internal temperature and two external temperatures and diode faults. It can indicate out-of-limit temperature and voltage conditions. The block has an ability to output 20ms low pulse.

### 7.18.1 HARDWARE MONITORING INTERFACE SIGNAL DEFINITION

The following table shows the pins required for the Hardware Monitoring Block.

PIN NAME	TYPE	DESCRIPTION
SDA	Digital I/O (Open Drain)	System Management Bus bi-directional Data. Open Drain output.
SCLK	Digital Input	System Management Bus Clock.
HVSS	Analog Ground	Internally connected to all of the Hardware Monitoring Block circuitry.
HVCC	Power	+3.3V VCC pin dedicated to the Hardware Monitoring block. Can be powered by +3.3V Standby power if monitoring in low power states is required.
VID0	Digital Input	Voltage supply readout from the processor. This value is read in the VID Register.
VID1	Digital Input	Voltage supply readout from the processor. This value is read in the VID Register.
VID2	Digital Input	Voltage supply readout from the processor. This value is read in the VID Register.
VID3	Digital Input	Voltage supply readout from the processor. This value is read in the VID Register.
D0-/XNOR_IN	Analog Input/ Digital Input	This is the negative input (current sink) from the remote thermal diode. This serves as the negative input into the A/D. If held high at power-up, initiates XNOR chain test mode.
D0+	Analog Input	This is the positive input (current source) from the remote thermal diode. This serves as the positive input into the A/D.
D1-	Analog Input	See D0- pin description.
D1+	Analog Input	See D0+ description.
12V_IN/VID4	Analog Input/ Digital Input	Defaults to Analog Input for +12V. Optionally, can be configured to read the VID4 pin, a voltage supply readout from the processor. This value is read in the VID4 Register.
+5V_IN	Analog Input	Analog input for +5V
+3.3V_IN	Analog Input	Analog input for +3.3V
+2.5V_IN	Analog Input	Analog input for +2.5V
+1.8V_IN	Analog Input	Analog input for +1.8V
+1.5V_IN	Analog Input	Analog input for +1.5V
+Vccp_IN	Analog Input	Analog input for +Vccp (processor voltage: 0 to 3.0V).
A0/RESET#/ THERM#/XNOR_OUT	Digital I/O (Open Drain)	The lowest order programmable bit of the SMBus Address. Can also be configured to be a minimum 20msec low Reset output pulse, or as an interrupt output for temperature and voltage interrupts. This pin functions as an output when the Hardware Monitor Block is in XNOR-Chain test mode.

### 7.18.2 SMBUS INTERFACE

The host processor communicates with the Hardware Monitor Block through a series of read/write registers via the SMBus interface. SMBus is a serial communication protocol between a computer host and its peripheral devices. The SMBus protocol includes a physical layer based on the I<sup>2</sup>C™ serial bus.

The default power on SMBus address is 010110x binary, where x reflects the state defined by the A0 pin. The A0/RESET#/THERM#/XNOR\_OUT pin requires an external pullup resistor if the RESET# or THERM# functions are used. This limits the SMBus address to 0101101 unless external circuitry is used to override the pull-up at power-up.

### 7.18.2.1 SMBus Slave Interface

The Hardware Monitor Block SMBus implementation is a subset of the SMBus interface to the host. The Hardware Monitor Block is a *slave-only* SMBus device. The implementation in the Hardware Monitor Block is a subset of SMBus since it only supports four protocols.

The Read Byte, Receive Byte, Write Byte and Send Byte protocols are the only valid SMBus protocols for the Hardware Monitor Block. The part responds to other protocols as described in the Invalid Protocol Section. Reference the System Management Bus Specification, Rev 1.1.

The SMBus interface is used to read and write the registers in the Hardware Monitor Block. The only valid registers for a read or write protocol are the registers shown in the Registers Section.

#### 7.18.2.1.1 Bus Protocols

Typical Write Byte, Read Byte, Send Byte and Receive Byte protocols are shown below. Register accesses are performed using 7-bit slave addressing, an 8-bit register address field, and an 8-bit data field. The shading indicates the Hardware Monitor Block driving data on the SDA line; otherwise host data is on the SDA line.

The slave address is the unique SMBus Interface Address for the Hardware Monitor Block that identifies it on SMBus. The register address field is the internal address of the register to be accessed. The register data field is the data that the host is attempting to write to the register or the contents of the register that the host is attempting to read.

Data bytes are transferred MSB first.

When using the Hardware Monitor Block SMBus Interface, a write will always consist of the SMBus Interface Address byte, followed by the Internal Address Register byte, then the data byte. There are two cases for a read:

1. The normal read protocol consists of a write to the Hardware Monitor Block with the SMBus Interface Address byte, followed by the Internal Address Register byte. Then restart the Serial Communication with a Read consisting of the SMBus Interface Address byte, followed by the data byte read from the Hardware Monitor Block. This can be accomplished by using the Read Byte protocol or by using the Send Byte protocol followed by the Receive Byte protocol.
2. If the Internal Address Register is known to be at the desired Address, simply read the Hardware Monitor Block with the SMBus Interface Address byte, followed by the data byte read from the Hardware Monitor Block. This corresponds to the Receive Byte protocol.

#### Write Byte

The Write Byte protocol is used to write data to the registers. The data will only be written if the protocol shown in Table 1 is performed correctly. Only one byte is transferred at time for a Write Byte protocol.

Table 57 - SMBus Write Byte Protocol

FIELD:	START	SLAVE ADDR	WR	ACK	REG. ADDR	ACK	REG. DATA	ACK	STOP
Bits:	1	7	1	1	8	1	8	1	1

#### Read Byte

The Read Byte protocol is used to read data from the registers. The data will only be read if the protocol shown in Table 2 is performed correctly. Only one byte is transferred at time for a Read Byte protocol.

**Table 58 - SMBus Read Byte Protocol**

FIELD:	START	SLAVE ADDR	WR	ACK	REG. ADDR	ACK	START	SLAVE ADDR	RD	ACK	REG. DATA	NACK	STOP
<b>Bits:</b>	1	7	1	1	8	1	1	7	1	1	8	1	1

**Send Byte**

The Send Byte protocol is used to set the Internal Address Register to the correct register in the Hardware Monitor Block. No data is transferred for a Send Byte protocol. The Send Byte can be followed by the Receive Byte protocol described below in order to read data from the register. The send byte protocol cannot be used to write data - if data is to be written to a register then the write byte protocol must be used as described in subsection above. The send byte protocol is shown in the table below.

**Table 59 - SMBus Send Byte Protocol**

FIELD:	START	SLAVE ADDR	WR	ACK	REG. ADDR	ACK	STOP
<b>Bits:</b>	1	7	1	1	8	1	1

**Receive Byte**

The Receive Byte protocol is used to read data from the registers when the register address is known to be at the desired address (using the Internal Address Register). This is used when the register address has been written to the desired address using the Send Byte protocol. This can be used for successive reads of the same register. The data will only be read if the protocol shown in Table 4 is performed correctly. Only one byte is transferred at time for a Receive Byte protocol.

**Table 60 - SMBus Receive Byte Protocol**

FIELD:	START	SLAVE ADDR	RD	ACK	REG. DATA	NACK	STOP
<b>Bits:</b>	1	7	1	1	8	1	1

**7.18.2.1.2 Slave Address**

The slave address is the unique address for the Hardware Monitor Block that identifies the device on SMBus.

The Hardware Monitor Block's slave address is determined by the level on the A0 pin. The level on this pin forms the LSB of the 7-bit address 0101\_10x. This pin may be used to support up to 2 Hardware Monitor Blocks in a given system.

The upper 6 bits of the Hardware Monitor Block's slave address are hardwired in the Hardware Monitor Block.

**7.18.2.1.3 Invalid Protocol Response Behavior**

Registers that are accessed with an invalid protocol will not be updated. A register will only be updated following a valid protocol. The only valid protocols are the read byte, receive byte and write byte protocols described above.

The only valid slave address is determined by the level on the A0 pin as the LSB of the address 0101\_10x. The only valid registers for a read or write protocol are the registers shown in the Registers Section. Reserved registers are not considered valid registers.

Attempting to communicate with the Hardware Monitor Block over SMBus with an invalid slave address, invalid register address or invalid protocol will result in no response, and the SMBus Slave Interface will return to the idle state.

**7.18.2.1.4 General Call Address Response**

The Hardware Monitor Block will not respond to a general call address of 0000\_000.

#### 7.18.2.1.5 Slave Device Time-Out

The device will not time-out when SCLK is held low longer than  $T_{\text{TIME-OUT Min}} = 25\text{ms}$ .

#### 7.18.2.1.6 Stretching the SCLK Signal

The Hardware Monitor Block supports stretching of the SCLK by other devices on the SMBus. The Hardware Monitor Block does not stretch the SCLK.

#### 7.18.2.1.7 SMBus Timing

The SMBus Slave Interface complies with the SMBus AC Timing Specification. See the SMBus timing in the "Timing Diagram" section.

#### 7.18.2.1.8 Bus Reset Sequence

The SMBus Slave Interface will reset and return to the idle state upon a START field followed immediately by a STOP field.

#### 7.18.2.1.9 SMBus Alert Response Address

The Hardware Monitor Block implements the SMBALERT# signal. The THERM# interrupt pin can be used as the SMBALERT#. SMBALERT# is used in conjunction with the SMBus General Call Address, 0001 100.

The Hardware Monitor Block device can signal the host that it wants to talk by pulling the SMBALERT# low. The host processes the interrupt and simultaneously accesses all SMBALERT# devices through a modified Receive Byte operation with the Alert Response Address (ARA). The Hardware Monitor Block, which pulled SMBALERT# low, will acknowledge the Alert Response Address and respond with its device address.

The host performs a modified Receive Byte operation with the alert response address. The 7-bit device address provided by the Hardware Monitor Block device is placed in the 7 most significant bits of the byte. The eighth bit can be a zero or one.

**Table 61 - Modified SMBus Receive Byte Protocol Response to ARA**

FIELD:	START	ALERT RESPONSE ADDRESS	RD	ACK	HW MONITOR BLOCK SLAVE ADDRESS	NACK	STOP
Bits:	1	7	1	1	8	1	1

After acknowledging the slave address, the Hardware Monitor Block must disengage its SMBALERT# pulldown. If the condition that caused the interrupt remains, the Hardware Monitor Block will reassert the SMBALERT# on the next monitoring cycle.

### 7.18.3 HARDWARE MONITORING BLOCK

The following sub-sections describe the Hardware Monitoring Block.

#### 7.18.3.1 Input Monitoring

The Hardware Monitor Block's monitoring function is started by writing a '1' to the START bit in the Configuration Register (0x40). Measured values from the analog inputs and temperature sensors are stored in the Value Registers. These values can be compared to the programmed limits in the Limit Register via SMBus interface. The out-of-limit and diode fault conditions are stored in the Interrupt Status Registers.

#### 7.18.3.2 Resetting the Hardware Monitoring Block

##### 7.18.3.2.1 Power On Reset

All the registers in the Hardware Monitor Block reset to a default value when power is applied to the block. The default state of the register is shown in the table in the Register Summary subsection. The default state of Value or Limit Registers are not shown because these registers have indeterminate power on values. Usually the first action after power up is to write limits into the Limit Registers.

### 7.18.3.2.2 Soft Reset

Setting bit 7 of the Configuration Register (0x40) performs a soft reset. This bit is self-clearing. Soft Reset performs reset on all the registers except the Value and Limit Registers.

### 7.18.3.3 Reset Out Pin

The RESET# function is multiplexed on A0/RESET#/THERM#/XNOR\_OUT pin. Upon power up, the Hardware Monitor Block reads this pin as an address pin (low bit of the SMBus address). The Hardware Monitor Block latches the value of this pin as the low order bit of the SMBus address.

A reset pulse output function can be selected by writing a '1' to bit 7 of the VID Register (0x47). If bit 4 (Reset) of Configuration Register (0x40) is set, RESET# pin will output a minimum 20ms low pulse. The Reset bit is self-clearing. The RESET# pin is open-drain and requires an external pullup resistor. If more than one Hardware Monitor Block is used on a system, only one can have this function enabled at one time since this will limit the SMBus address to 0101101, unless external circuitry is provided.

### 7.18.3.4 Monitoring Modes

The Hardware Monitor Block supports two Monitoring modes: Continuous Mode and Cycle Mode. These modes are selected using bit 1 of the Special Function Register (0x4F). The following subsections contain a description of these monitoring modes.

For each mode, there are two options for the number of measurements that are performed on each temperature and voltage reading. These options are selected using bit 5 of the special function register (0x4F). These options are as follows:

1. 128 measurements are averaged for the remote diode temperature reading and 8 measurements are averaged for all voltage and the internal temperature reading. This is the default operation.
2. 16 measurements are averaged for the remote diode temperature reading and a single measurement is taken for all voltage and the internal temperature reading (i.e., no averaging). This is a power saving option.

For option 1, the block performs a total of  $(2 \times 128) + (1 \times 8) + (8 \times 8) = 328$  conversions. (8 less if the 12V input is not selected i.e. 320).

Option 2 reduces the number of conversions to  $(2 \times 16) + (1 \times 1) + (8 \times 1) = 41$  (or 40 if the 12V input is not selected).

Each temperature conversion takes 1.688ms approx. and each voltage conversion takes 1.511ms approx.

The total time for option 1 (328 conversions) is  $(2 \times 128 \times 1.688\text{ms}) + (1 \times 8 \times 1.688\text{ms}) + (8 \times 8 \times 1.511\text{ms}) = 542.336\text{ms}$ .

The total time for option 2 (41 conversions) is  $(2 \times 16 \times 1.688\text{ms}) + (1 \times 1 \times 1.688\text{ms}) + (8 \times 1 \times 1.511\text{ms}) = 67.792\text{ms}$ .

#### 7.18.3.4.1 Continuous Monitoring Mode

In the continuous monitoring mode, the sampling and conversion process is performed continuously for each voltage and temperature reading after the Start bit is set high. The time for each voltage and temperature reading is shown above for each measurement option.

The continuous monitoring function is started by doing a write to the Configuration Register, setting the Start bit (Bit 0) high. The part then performs a "round robin" sampling of the inputs, in the order shown below (corresponding to locations in the Value RAM). Sampling of all values occurs in 542.336 ms (or 67.792ms - see above).

SAMPLING ORDER	REGISTER
1	Remote Diode Temp Reading 1
2	Ambient Temperature reading
3	HVCC/+3.3HVSB reading
4	+12V (If selected) reading
5	+5V reading
6	+3.3V reading
7	+2.5V reading
8	Vccp (processor) reading
9	Remote Diode Temp Reading 2
10	+1.8V reading
11	+1.5V reading

When the continuous monitoring function is started, it cycles through each measurement in sequence, and it continuously loops through the sequence approximately once every 542.336 ms (or 67.792ms – see above). Each measured value is compared to values stored in the Limit registers. When the measured value violates (or is equal to) the programmed limit the Hardware Monitor Block will set a corresponding status bit in the Interrupt Status Registers.

The results of the sampling and conversions can be found in the Value RAM and are available at any time.

#### 7.18.3.4.2 Cycle Monitoring Mode

In cycle monitoring mode, the part completes all sampling and conversions, then waits to repeat the process. It repeats the sampling and conversion process every second (1.4 sec max). The sampling and conversion of each voltage and temperature reading is performed once every monitoring cycle. This is a power saving mode.

The cycle monitoring function is started by doing a write to the Configuration Register, setting the Start bit (Bit 0) high. The part then performs a “round robin” sampling of the inputs, in the order shown above.

When the cycle monitoring function is started, it cycles through each measurement in sequence, and it performs a single conversion for each voltage and temperature approximately once every second. Each measured value is compared to values stored in the Limit registers. When the measured value violates (or is equal to) the programmed limit the Hardware Monitor Block will set a corresponding status bit in the Interrupt Status Registers

The results of each sampling and conversion can be found in the Value RAM and are available at any time, however, they are only updated once every 1-1.4 seconds.

#### 7.18.3.5 Interrupt Status Registers

The Hardware Monitor Block contains a pair of interrupt status registers. These registers are used to reflect the state of all temperature and voltage out-of-limit/equal-limit error conditions and diode fault conditions that the Hardware Monitor Block monitors for. When an error occurs during the conversion cycle, its corresponding bit is set in its respective interrupt status register. The status register bits are updated continuously through each monitoring cycle. If a measurement is within (and not equal to) limits or if there is no diode fault, the corresponding status register bit will be cleared to ‘0’. If the measurement is equal to the limit value or out of limit or if there is a diode fault, the corresponding status register bit will be set to ‘1’. The diode fault conditions are described in the “External Temperature Measurement” section. Reading the status register does NOT clear its contents. These registers default to 0x00 on HVCC POR and Initialization.

#### 7.18.3.6 Low Power Modes

The Hardware Monitor Block can be placed in a low-power mode by writing a ‘0’ to the Configuration Register (0x40). The low power mode that is entered is either sleep mode or shutdown mode as selected using bit 0 of the Special Function Register (4F). These modes do not reset any of the registers of the Hardware Monitor Block.

### 7.18.3.6.1 Sleep Mode

This is a low power mode in which bias currents are 'on' but the Hardware Monitor Block is not operating. In this mode, the A/D converter and monitoring cycle will be turned off. Serial bus communication is still possible with any register in the Hardware Monitor Block while in this low-power mode.

### 7.18.3.6.2 Shutdown Mode

This is a low power mode in which bias currents are 'off' and the Hardware Monitor Block is not operating. In this mode, the A/D converter and monitoring cycle will be turned off. Serial bus communication is still possible with any register in the Hardware Monitor Block while in this low-power mode.

### 7.18.3.7 Analog Voltage Measurement

The Hardware Monitor Block contains inputs for directly monitoring the power supplies (+12 V, +5 V, +3.3V, +2.5V, +1.8V, +1.5V, +V<sub>ccp</sub> and HVCC or HVSB). These inputs are scaled internally to an internal reference source, converted via a 8 bit successive approximation register ADC or a Delta-Sigma ADC (Analog-to-Digital Converter), and scaled such that the correct value refers to 3/4 scale or 192 decimal (except the V<sub>ccp</sub> input). This removes the need for external resistor dividers and allows for a more accurate means of measurement since the voltages are referenced to a known value. The 1.5V input does not have an internal resistor divider. Since these inputs are above V<sub>cc</sub> and below Ground, they are not diode protected to the power rails. The measured values are stored in the Reading registers and compared with the Limit registers. The status bits in the Interrupt Status Register 1 and the Interrupt Status Register 2 are set if the measured values are outside (or equal to) the programmed limits.

The V<sub>ccp</sub> voltage input measures the processor voltage, which will lie in the range of 0V to 3.0V.

The following table shows the values of the analog inputs that correspond to the min and max output codes of the A/D converter. For a complete list of the ADC conversions see Table 78 in Appendix B.

Input Voltage	+12V <sub>IN</sub>	+5V <sub>IN</sub>	V <sub>cc</sub> /3.3V <sub>IN</sub>	+2.5V <sub>IN</sub>	+1.8V <sub>IN</sub>	+1.5V <sub>IN</sub>	+V <sub>CCP</sub>
Min Value (Corresponds to A/D output 00000000)	<0.062	<0.026	<0.017	<0.013	<0.009	<0.008	<0.012
Max Value (Corresponds to A/D output 11111111)	>15.938	>6.640	>4.383	>3.320	>2.391	>1.992	>2.988

### 7.18.3.8 Voltage ID

VID0-VID4 digital inputs are used to store processor Voltage ID codes (for processor operating voltage) in the VID and VID4 registers (0x47 and 0x49). These VID codes can be read out by the management system using the SMBus interface. Bits[3:0] in VID register is used for VID3 to VID0 inputs and Bit[0] of VID4 register is used for VID4 input. VID4 input is multiplexed with +12V\_IN analog input. This pin defaults to the +12V\_IN analog input at power up and bit 0 in VID4 register defaults to 0. This pin can be selected for VID4 by setting bit 5 in the Configuration Register (0x40).

### 7.18.3.9 Temperature Measurement

Temperatures are measured internally by bandgap temperature sensor and externally using two sets of diode sensor pins (for measuring two external temperatures). See subsections below.

#### 7.18.3.9.1 Internal Temperature Measurement

Internal temperature can be measured by bandgap temperature sensor. The measurement is converted into digital format by internal ADC. This data is converted in two's complement format since both negative and positive temperature can be measured. This value is stored in Ambient Temperature Reading register (0x27). If this value out-of-limit (or equal to) the programmed limits in Ambient Temperature High Limit register (0x39) and Ambient Temperature Low Limit register (0x3A), then the corresponding status bits in the Interrupt Status Registers are set.

#### 7.18.3.9.2 External Temperature Measurement

The Hardware Monitor Block also provides a way to measure two external temperatures using diode sensor pins (Dx+ and Dx-). The value is stored in the Remote Diode Temperature Reading 1 register (0x26) for D0+ and D0- pins. The value is stored in the Remote Diode Temperature Reading 2 register (0x52) for D1+ and D1- pins. If this value is out-of-limit (or equal to) the programmed limits (for D0+ and D0- pins, or D1+ and D1- pins) in Remote

Temperature High Limit 1 or 2 register and Remote Temperature Low Limit 1 or 2 register, then the Remote Temp Error 1 or 2 status bit is set in the Interrupt Status Register 1.

There are Remote Diode Fault status 1 and 2 bits in the Status Register 2 (0x42). The LPC47M192 automatically sets the associated diode fault bit to 1 when there is an open circuit fault on the Remote x+ or Remote x- thermal diode input pins. The occurrence of either a short (**D+ and D- shorted together**) or open circuit fault will cause 80h to be loaded into the associated reading register, which will cause the corresponding remote temp error bit to be set. This will cause the THERM# pin to become active if enabled. **This same operation applies (including the diode fault bit getting set) for the following board design error conditions: D+ shorted to VCC, D- shorted to VCC, D+ shorted to ground. The diode fault bit will also be set if D- is shorted to ground, however, the part will give a valid temperature reading (with some error), so the out of limit bit will not be set and therefore the THERM# pin will not go active for this condition..** Before a remote diode conversion is updated, the status of the remote diode is checked.

The temperature change is computed by measuring the change in Vbe at two different operating points of the diode to which the Dx+ and Dx- pins are connected. But accuracy of the measurement also depends on non-ideality factor of the process the diode is manufactured on. See "Appendix A – Thermal Diode Parameters" for relationship between the non-ideality factor and the change in Vbe.

**Note:** Since digital boards can be electrically noisy environments that may interfere when measuring very small voltages from a remote diode sensor, special layout considerations should be made. See "Layout Considerations" below.

#### 7.18.3.9.3 Temperature Data Format

Temperature data can be read from the three temperature registers. One is the Ambient Temperature Reading register (0x27), the second is the Remote Diode Temperature Reading 1 register (0x26), and the third is the Remote Diode Temperature Reading 2 register (0x52).

The following table shows the corresponding format of the temperature digital data, represented by an 8-bit, two's complement word with an LSB equal to 1.0 °C.

Temperature	Digital Output
+125 °C	0111 1101
+25 °C	0001 1001
+1.0 °C	0000 0001
0 °C	0000 0000
-1.0 °C	1111 1111
-25 °C	1110 0111
-40 °C	1101 1000

#### 7.18.3.9.4 Offset Register

Offset Register 1 is used for internal or remote temperature 1 reading. The Offset Register 1 (1Fh) contain a 2's complement value which is added (or subtracted if the number is negative) to the temperature reading. The default value in the offset register is zero, so initially zero is always added to the temperature reading. This offset register is configured for the external temperature channel by default. It may be switched to the internal channel by setting bit 4 of the Special Function Register to 1.

#### 7.18.3.9.5 Second Offset Register

The Offset Register 2 at 1Eh is for second remote diode temperature reading. This register contains a 2's complement value which is added (or subtracted if the number is negative) to the second external temperature reading. Note that the default value in the offset register is zero, so initially zero is always added to the second temperature reading. This offset register only applies to remote diode temperature reading 2. No configuration bit is required.

#### 7.18.3.10 Thermal / Voltage Interrupt Pin

The THERM# function is multiplexed on A0/RESET#/THERM#/XNOR\_OUT pin. This function is used as an interrupt output for out-of-limit temperature events. It can also be enabled for out-of-limit voltage events.



If the internal or remote temperature reading is not within the low or high temperature limits, THERM# will be active low. It will also be low for the diode pin conditions mentioned in the “External Temperature Measurement” section. The THERM# pin will remain low while any of the Ambient Temp Error bit or the Remote Temp Error bit in Interrupt Status 1 Register is set. The THERM# function can be selected by writing a ‘1’ to bit 2 of the Special Function Register (0x4F). This pin is open-drain and requires an external pullup resistor. If more than one Hardware Monitor Block is used on a system, only one can have this function enabled at one time since this will limit the SMBus address to 0101101, unless external circuitry is provided.

The THERM# pin can be enabled to indicate out-of-limit/equal-limit voltages. Bit 3 of the Special Function register (4Fh) is used to enable this option. When this bit is set, if one or more of the voltage readings is not within the low or high limits, THERM# will be active low. This pin will remain low while the associated voltage error bit (+2.5v\_Error, Vccp\_Error, +3.3v\_Error, +5v\_Error, +12v\_Error, HVCC\_Error, +1.5v\_Error or +1.8v\_Error) in the Interrupt Status Register 1 and Interrupt Status Register 2 is set. The THERM# pin defaults to supporting out-of-limit/equal-limit temperature events only.

The THERM# pin will remain low until Interrupt Status Register 1 and 2 are read. If the temperature or voltage remains out of limit or equal to the limit, the THERM# will be re-asserted on the next monitoring cycle. THERM# can also be cleared by issuing an Alert Response Address Call.

The THERM# pin may only become active while the monitor block is operational.

**Implementation Note:**

In designs using the Hardware Monitor Block of the LPC47M192, all the remote thermal diode inputs must be properly terminated, even if one or both of the remote temperature sensor channels will not be used to actively monitor temperatures. These inputs should be terminated with a thermal diode, a transistor or a resistor. If the channel will never be used to monitor temperature, a resistor can be used to allow for proper functioning of the nTHERM pin. See application note “Using the Hardware Monitor Feature in SMSC Super I/O Devices” for more information.

Unused Analog Voltage Channel inputs should not be left unconnected. This is good design practice, and it will guarantee proper functioning of the nTHERM pin, if the nTHERM pin is enabled to indicate voltage events. Any Analog Voltage Measurement Channel that will not be used to actively monitor a power supply must be pulled up to some nominal voltage. If the nTHERM pin is not enabled to indicate voltage events, unused Analog Voltage Channels may be grounded.

**7.18.3.11 Input Safety**

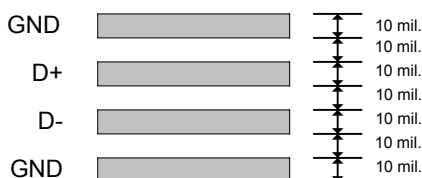
Since the power supply voltages will appear directly at the pins (1.5V – 12V), small external series resistors such as 470 ohm to 1k ohm (see Note) should be put into the lines driving the chip to prevent damaging the traces or power supplies should an accidental short such as a probe connect two power supplies together. This value should be kept as small as possible, since raising this resistor will start affecting the accuracy of the internal dividers. These resistors are recommended, but not necessary.

**Note:** The analog input channels on the LPC47M192 are calibrated for 500 ohm resistors. These optional external resistors should not exceed 1kΩ.

**7.18.3.12 Layout Considerations**

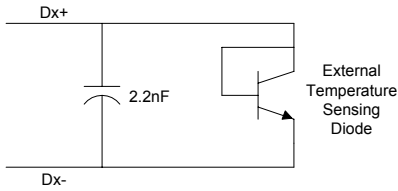
To ensure accuracy when measuring analog signals, whether from a voltage divider or remote diode sensor, the analog components should be located physically as close to the hardware monitoring block as possible. The following is a list of precautions and suggestions to gain optimal performance from the hardware monitoring block.

1. Devices that are sources of noise, such as generators, data/address buses and CRTs should be kept as far away from the hardware monitoring block as possible. (Approximately 4 to 8 inches is adequate).
2. The Dx+ and Dx- tracks should be kept close together, in parallel with grounded guard tracks on each side. Using wide tracks will help to minimize inductance and reduce noise pickup. A 10 mil track minimum width and spacing is recommended. See FIGURE 10.



### FIGURE 10 – SUGGESTED MINIMUM TRACK WIDTH AND SPACING

3. To reduce the effects of noise on the Dx+ and Dx- signals, a 2.2nF capacitor may be placed between these two leads.



### FIGURE 11 – USING A DIODE AS A REMOTE TEMPERATURE SENSING ELEMENT

4. Place 0.1uF (ceramic) bypass and 20uF (electrolytic or tantalum) capacitors in parallel between the power supply (HVCC) and ground. They should be kept as close to the hardware monitoring block as possible.

## 8 RUNTIME REGISTERS

The following registers are runtime registers in the LPC47M192. They are located at the address programmed in the Base I/O Address in Logical Device A (also referred to as the Runtime Register) at the offset shown. These registers are powered by VTR.

**Table 62 - Runtime Register Block Summary**

REGISTER OFFSET (hex)	TYPE	PCI RESET	VCC POR	VTR POR	SOFT RESET	REGISTER
00	R/W	-	-	0x00	-	PME_STS
01	R	-	-	-	-	Reserved – reads return 0
02	R/W	-	-	0x00	-	PME_EN
03	R	-	-	-	-	Reserved – reads return 0
04	R/W	-	-	0x00	-	PME_STS1
05	R/W	-	-	0x00	-	PME_STS2
06	R/W	-	-	0x00	-	PME_STS3
07	R/W	-	-	0x00 <sup>(Note 5)</sup>	-	PME_STS4
08	R/W	-	-	0x00 <sup>(Note 5)</sup>	-	PME_STS5
09	R	-	-	-	-	Reserved – reads return 0
0A	R/W	-	-	0x00	-	PME_EN1
0B	R/W	-	-	0x00	-	PME_EN2
0C	R/W	-	-	0x00	-	PME_EN3
0D	R/W	-	-	0x00	-	PME_EN4
0E	R/W	-	-	0x00	-	PME_EN5
0F	R	-	-	-	-	Reserved – reads return 0
10	R/W	_(Note 4)	_(Note 4)	0x02 <sup>(Note 4)</sup>	_(Note 4)	SMI_STS 1
11	R/W	-	-	0x00	-	SMI_STS 2
12	R/W	-	-	0x00	-	SMI_STS3
13	R/W	-	-	0x00 <sup>(Note 5)</sup>	-	SMI_STS4
14	R/W	-	-	0x00	-	SMI_STS5
15	R	-	-	-	-	Reserved – reads return 0
16	R/W	-	-	0x00	-	SMI_EN1
17	R/W	-	-	0x00	-	SMI_EN2
18	R/W	-	-	0x00	-	SMI_EN3
19	R/W	-	-	0x00	-	SMI_EN4
1A	R/W	-	-	0x00	-	SMI_EN5
1B	R	-	-	-	-	Reserved – reads return 0
1C	R/W	-	-	0x00	-	MSC_STS
1D	R	-	-	-	-	Reserved – reads return 0
1E	R/W	0x03	0x03	0x03	-	Force Disk Change
1F	R	-	-	-	-	Floppy Data Rate Select Shadow
20	R	-	-	-	-	UART1 FIFO Control Shadow
21	R	-	-	-	-	UART2 FIFO Control Shadow
22	R/W <sup>Note 1</sup>	-	-	0x00	-	Device Disable Register
23	R/W	-	-	0x01	-	GP10
24	R/W	-	-	0x01	-	GP11
25	R/W	-	-	0x01	-	GP12
26	R/W	-	-	0x01	-	GP13
27	R/W	-	-	0x01	-	GP14

REGISTER OFFSET (hex)	TYPE	PCI RESET	VCC POR	VTR POR	SOFT RESET	REGISTER
28	R/W	-	-	0x01	-	GP15
29	R/W	-	-	0x01	-	GP16
2A	R/W	-	-	0x01	-	GP17
2B	R/W	-	-	0x01	-	GP20
2C	R/W	-	-	0x01	-	GP21
2D	R/W	-	-	0x01	-	GP22
2E	R	-	-	-	-	Reserved – reads return 0
2F	R/W	-	-	0x01	-	GP24
30	R/W	-	-	0x01	-	GP25
31	R/W	-	-	0x01	-	GP26
32	R/W	-	-	0x01	-	GP27
33	R/W	-	-	0x01	-	GP30
34	R/W	-	-	0x01	-	GP31
35	R/W	0x00	0x00	0x01	-	GP32
36	R/W	0x00	0x00	0x01	-	GP33
37	R/W	-	-	0x05	-	GP34
38	R/W	0x04	0x04	0x04	-	GP35
39	R/W	-	-	0x01	-	GP36
3A	R/W	-	-	0x01	-	GP37
3B	R/W	-	-	0x01	-	GP40
3C	R/W	-	-	0x01	-	GP41
3D	R/W	-	-	0x01	-	GP42
3E	R/W	_Note 2	_Note 2	0x01	-	GP43
3F	R/W	-	-	0x01	-	GP50
40	R/W	-	-	0x01	-	GP51
41	R/W	-	-	0x01	-	GP52
42	R/W	0x00	0x00	0x00	-	GP53
43	R/W	-	-	0x01	-	GP54
44	R/W	-	-	0x01	-	GP55
45	R/W	-	-	0x01	-	GP56
46	R/W	-	-	0x01	-	GP57
47	R/W	-	-	0x01	-	GP60
48	R/W	-	-	0x01	-	GP61
49	R	-	-	-	-	Reserved – reads return 0
4A	R	-	-	-	-	Reserved – reads return 0
4B	R/W	-	-	0x00	-	GP1
4C	R/W	-	-	0x00	-	GP2
4D	R/W	_Note 2	_Note 2	0x00	-	GP3
4E	R/W	-	-	0x00	-	GP4
4F	R/W	_Note 3	_Note 3	0x00	-	GP5
50	R/W	-	-	0x00	-	GP6
51	R	-	-	-	-	Reserved – reads return 0
52	R	-	-	-	-	Reserved – reads return 0
53	R	-	-	-	-	Reserved – reads return 0
54	R	-	-	-	-	Reserved – reads return 0
55	R	-	-	-	-	Reserved – reads return 0

# DATASHEET

REGISTER OFFSET (hex)	TYPE	PCI RESET	VCC POR	VTR POR	SOFT RESET	REGISTER
56	R/W	-	-	0x00	-	FAN1
57	R/W	-	-	0x00	-	FAN2
58	R/W	-	-	0x50	-	Fan Control
59	R	-	-	0x00	-	Fan1 Tachometer Register
5A	R	-	-	0x00	-	Fan2 Tachometer Register
5B	R/W	-	-	0x00	-	Fan1 Preload Register
5C	R/W	-	-	0x00	-	Fan2 Preload Register
5D	R/W	-	-	0x00	-	LED1
5E	R/W	-	-	0x00	-	LED2
5F	R/W	-	-	0x00	-	Keyboard Scan Code
60-7F	R	-	-	-	-	Reserved – reads return 0

**Note 1:** This register is read-only when GP43 register bit [3:2] = 01 and the GP43 pin is high.

**Note 2:** Bits [3:2] of this register are reset (cleared) on VCC POR and PCI Reset (and VTR POR).

**Note 3:** Bit 3 of this register is reset (cleared) on VCC POR and PCI Reset (and VTR POR).

**Note 4:** The parallel port interrupt defaults to 1 when the parallel port activate bit is cleared.

**Note 5:** Bits 2 and 3 of the PME\_STS4 and SMI\_STS4 registers, and bit 3 of the PME\_STS5 register may be set on a VCC POR. If GP32, GP33 and GP53 are configured as input, then their corresponding PME and SMI status bits will be set on a VCC POR. These GPIOs cannot be used for PME wakeup when the part is under VTR power (VCC=0).

The following registers are located at an offset from (PME\_BLK) the address programmed into the base I/O address register for Logical Device A.

**Table 63 - Runtime Register Block Description**

NAME	REG OFFSET (hex)	DESCRIPTION
PME_STS  Default = 0x00 on VTR POR	00  (R/W)	Bit[0] PME_Status = 0 (default) = 1 Set when LPC47M192 would normally assert the nIO_PME signal, independent of the state of the PME_En bit. Bit[7:1] Reserved PME_Status is not affected by Vcc POR, SOFT RESET or PCI RESET. Writing a "1" to PME_Status will clear it and cause the LPC47M192 to stop asserting nIO_PME, in enabled. Writing a "0" to PME_Status has no effect.
N/A	01 (R)	Bits[7:0] Reserved – reads return 0
PME_EN  Default = 0x00 on VTR POR	02  (R/W)	Bit[0] PME_En = 0 nIO_PME signal assertion is disabled (default) = 1 Enables LPC47M192 to assert nIO_PME signal Bit[7:1] Reserved PME_En is not affected by Vcc POR, SOFT RESET or PCI RESET
N/A	03 (R)	Bits[7:0] Reserved – reads return 0
PME_STS1  Default = 0x00 on VTR POR	04  (R/W)	PME Wake Status Register 1 This register indicates the state of the individual PME wake sources, independent of the individual source enables or the PME_En bit. If the wake source has asserted a wake event, the associated PME Wake Status bit will be a "1". Bit[0] Reserved (Note 7) Bit[1] RI2 Bit[2] RI1 Bit[3] KBD Bit[4] MOUSE Bit[5] SPEKEY (Wake on specific key) Bit[6] FAN_TACH1 Bit[7] FAN_TACH2 The PME Wake Status register is not affected by Vcc POR, SOFT RESET or PCI RESET. Writing a "1" to Bit[7:0] will clear it. Writing a "0" to any bit in PME Wake Status Register has no effect.

NAME	REG OFFSET (hex)	DESCRIPTION
PME_STS2  Default = 0x00 on VTR POR	05  (R/W)	PME Wake Status Register 2 This register indicates the state of the individual PME wake sources, independent of the individual source enables or the PME_En bit. If the wake source has asserted a wake event, the associated PME Wake Status bit will be a "1". Bit[0] GP10 Bit[1] GP11 Bit[2] GP12 Bit[3] GP13 Bit[4] GP14 Bit[5] GP15 Bit[6] GP16 Bit[7] GP17 The PME Wake Status register is not affected by Vcc POR, SOFT RESET or PCI RESET. Writing a "1" to Bit[7:0] will clear it. Writing a "0" to any bit in PME Wake Status Register has no effect.
PME_STS3  Default = 0x00 on VTR POR	06  (R/W)	PME Wake Status Register 3 This register indicates the state of the individual PME wake sources, independent of the individual source enables or the PME_En bit. If the wake source has asserted a wake event, the associated PME Wake Status bit will be a "1". Bit[0] GP20 Bit[1] GP21 Bit[2] GP22 Bit[3] DEVINT_STS (status of group SMI signal for PME) Bit[4] GP24 Bit[5] GP25 Bit[6] GP26 Bit[7] GP27 The PME Wake Status register is not affected by Vcc POR, SOFT RESET or PCI RESET. Writing a "1" to Bit[7:0] will clear it. Writing a "0" to any bit in PME Wake Status Register has no effect.

NAME	REG OFFSET (hex)	DESCRIPTION
PME_STS4  Default = 0x00 on VTR POR (Note 6)	07  (R/W)	<p>PME Wake Status Register 4</p> <p>This register indicates the state of the individual PME wake sources, independent of the individual source enables or the PME_En bit.</p> <p>If the wake source has asserted a wake event, the associated PME Wake Status bit will be a “1”.</p> <p>Bit[0] GP30 Bit[1] GP31 Bit[2] GP32 Bit[3] GP33 Bit[4] GP41 Bit[5] GP43 Bit[6] GP60 Bit[7] GP61</p> <p>The PME Wake Status register is not affected by Vcc POR, SOFT RESET or PCI RESET.</p> <p>Writing a “1” to Bit[7:0] will clear it. Writing a “0” to any bit in PME Wake Status Register has no effect.</p>
PME_STS5  Default = 0x00 on VTR POR (Note 6)	08  (R/W)	<p>PME Wake Status Register 5</p> <p>This register indicates the state of the individual PME wake sources, independent of the individual source enables or the PME_En bit.</p> <p>If the wake source has asserted a wake event, the associated PME Wake Status bit will be a “1”.</p> <p>Bit[0] GP50 Bit[1] GP51 Bit[2] GP52 Bit[3] GP53 Bit[4] GP54 Bit[5] GP55 Bit[6] GP56 Bit[7] GP57</p> <p>The PME Wake Status register is not affected by Vcc POR, SOFT RESET or PCI RESET.</p> <p>Writing a “1” to Bit[7:0] will clear it. Writing a “0” to any bit in PME Wake Status Register has no effect.</p>
N/A	09 (R)	Bits[7:0] Reserved – reads return 0



NAME	REG OFFSET (hex)	DESCRIPTION
PME_EN1  Default = 0x00 on VTR POR	0A  (R/W)	PME Wake Enable Register 1 This register is used to enable individual LPC47M192 PME wake sources onto the nIO_PME wake bus. When the PME Wake Enable register bit for a wake source is active ("1"), if the source asserts a wake event so that the associated status bit is "1" and the PME_En bit is "1", the source will assert the nIO_PME signal. When the PME Wake Enable register bit for a wake source is inactive ("0"), the PME Wake Status register will indicate the state of the wake source but will not assert the nIO_PME signal. Bit[0] Reserved (Note 7) Bit[1] RI2 Bit[2] RI1 Bit[3] KBD Bit[4] MOUSE Bit[5] SPEKEY (Wake on specific key) Bit[6] FAN_TACH1 Bit[7] FAN_TACH2 The PME Wake Enable register is not affected by Vcc POR, SOFT RESET or PCI RESET.
PME_EN2  Default = 0x00 on VTR POR	0B  (R/W)	PME Wake Enable Register 2 This register is used to enable individual LPC47M192 PME wake sources onto the nIO_PME wake bus. When the PME Wake Enable register bit for a wake source is active ("1"), if the source asserts a wake event so that the associated status bit is "1" and the PME_En bit is "1", the source will assert the nIO_PME signal. When the PME Wake Enable register bit for a wake source is inactive ("0"), the PME Wake Status register will indicate the state of the wake source but will not assert the nIO_PME signal. Bit[0] GP10 Bit[1] GP11 Bit[2] GP12 Bit[3] GP13 Bit[4] GP14 Bit[5] GP15 Bit[6] GP16 Bit[7] GP17 The PME Wake Enable register is not affected by Vcc POR, SOFT RESET or PCI RESET.

NAME	REG OFFSET (hex)	DESCRIPTION
PME_EN3  Default = 0x00 on VTR POR	0C  (R/W)	PME Wake Status Register 3 This register is used to enable individual LPC47M192 PME wake sources onto the nIO_PME wake bus. When the PME Wake Enable register bit for a wake source is active ("1"), if the source asserts a wake event so that the associated status bit is "1" and the PME_En bit is "1", the source will assert the nIO_PME signal. When the PME Wake Enable register bit for a wake source is inactive ("0"), the PME Wake Status register will indicate the state of the wake source but will not assert the nIO_PME signal. Bit[0] GP20 Bit[1] GP21 Bit[2] GP22 Bit[3] DEVINT_EN (Enable bit for group SMI signal for PME) Bit[4] GP24 Bit[5] GP25 Bit[6] GP26 Bit[7] GP27 The PME Wake Enable register is not affected by Vcc POR, SOFT RESET or PCI RESET.
PME_EN4  Default = 0x00 on VTR POR	0D  (R/W)	PME Wake Enable Register 4 This register is used to enable individual LPC47M192 PME wake sources onto the nIO_PME wake bus. When the PME Wake Enable register bit for a wake source is active ("1"), if the source asserts a wake event so that the associated status bit is "1" and the PME_En bit is "1", the source will assert the nIO_PME signal. When the PME Wake Enable register bit for a wake source is inactive ("0"), the PME Wake Status register will indicate the state of the wake source but will not assert the nIO_PME signal. Bit[0] GP30 Bit[1] GP31 Bit[2] GP32 Bit[3] GP33 Bit[4] GP41 Bit[5] GP43 Bit[6] GP60 Bit[7] GP61 The PME Wake Enable register is not affected by Vcc POR, SOFT RESET or PCI RESET.

NAME	REG OFFSET (hex)	DESCRIPTION
PME_EN5  Default = 0x00 on VTR POR	0E  (R/W)	<p>PME Wake Enable Register 5</p> <p>This register is used to enable individual LPC47M192 PME wake sources onto the nIO_PME wake bus.</p> <p>When the PME Wake Enable register bit for a wake source is active ("1"), if the source asserts a wake event so that the associated status bit is "1" and the PME_En bit is "1", the source will assert the nIO_PME signal.</p> <p>When the PME Wake Enable register bit for a wake source is inactive ("0"), the PME Wake Status register will indicate the state of the wake source but will not assert the nIO_PME signal.</p> <p>Bit[0] GP50 Bit[1] GP51 Bit[2] GP52 Bit[3] GP53 Bit[4] GP54 Bit[5] GP55 Bit[6] GP56 Bit[7] GP57</p> <p>The PME Wake Enable register is not affected by Vcc POR, SOFT RESET or PCI RESET.</p>
N/A	0F (R)	Bits[7:0] Reserved – reads return 0
SMI_STS1  Default = 0x02 on VTR POR  Bit 1 is set to '1' on VCC POR, VTR POR, PCI RESET and SOFT RESET	10  (R/W)	<p>SMI Status Register 1</p> <p>This register is used to read the status of the SMI inputs.</p> <p>The following bits must be cleared at their source.</p> <p>Bit[0] Reserved Bit[1] PINT. The parallel port interrupt defaults to '1' when the parallel port activate bit is cleared. When the parallel port is activated, PINT follows the nACK input. Bit[2] U2INT Bit[3] U1INT Bit[4] FINT Bit[5] MPU-401 INT Bit[6] Reserved Bit[7] Reserved (Note 7)</p>
SMI_STS2  Default = 0x00 on VTR POR	11  (R/W)	<p>SMI Status Register 2</p> <p>This register is used to read the status of the SMI inputs.</p> <p>Bit[0] MINT. Cleared at source. Bit[1] KINT. Cleared at source. Bit[2] IRINT. This bit is set by a transition on the IR pin (IRRX or IRRX2 as selected in CR L5-F1-B6 i.e., after the MUX). Cleared by a read of this register. Bit[3] Reserved Bit[4] P12. Status bit is cleared by a write of '1'. The SMI event is cleared at source. Bit[7:5] Reserved</p>

NAME	REG OFFSET (hex)	DESCRIPTION
SMI_STS3  Default = 0x00 on VTR POR	12  (R/W)	SMI Status Register 3 This register is used to read the status of the SMI inputs. The following bits are cleared on a write of '1'. Bit[0] GP20 Bit[1] GP21 Bit[2] GP22 Bit[3] Reserved Bit[4] GP24 Bit[5] GP25 Bit[6] GP26 Bit[7] GP60
SMI_STS4  Default = 0x00 on VTR POR (Note 6)	13  (R/W)	SMI Status Register 4 This register is used to read the status of the SMI inputs. The following bits are cleared on a write of '1'. Bit[0] GP30 Bit[1] GP31 Bit[2] GP32 Bit[3] GP33 Bit[4] GP41 Bit[5] GP42 Bit[6] GP43 Bit[7] GP61
SMI_STS5  Default = 0x00 on VTR POR	14  (R/W)	SMI Status Register 5 This register is used to read the status of the SMI inputs. The following bits are cleared on a write of '1'. Bit[0] GP54 Bit[1] GP55 Bit[2] GP56 Bit[3] GP57 Bit[4] Reserved Bit[5] Reserved Bit[6] FAN_TACH1 Bit[7] FAN_TACH2
N/A	15  (R)	Bits[7:0] Reserved – reads return 0
SMI_EN1  Default = 0x00 on VTR POR	16  (R/W)	SMI Enable Register 1 This register is used to enable the different interrupt sources onto the group nSMI output. 1=Enable 0=Disable Bit[0] Reserved Bit[1] EN_PINT Bit[2] EN_U2INT Bit[3] EN_U1INT Bit[4] EN_FINT Bit[5] EN_MPU-401 INT Bit[6] Reserved Bit[7] Reserved (Note 7)

NAME	REG OFFSET (hex)	DESCRIPTION
SMI_EN2  Default = 0x00 on VTR POR	17  (R/W)	SMI Enable Register 2 This register is used to enable the different interrupt sources onto the group nSMI output, and the group nSMI output onto the nIO_SMI GPI/O pin, the serial IRQ stream or into the PME Logic.  Unless otherwise noted, 1=Enable 0=Disable  Bit[0] EN_MINT Bit[1] EN_KINT Bit[2] EN_IRINT Bit[3] Reserved Bit[4] EN_P12 Bit[5] EN_SMI_PME (Enable group SMI into PME logic) Bit[6] EN_SMI_S (Enable group SMI onto serial IRQ) Bit[7] EN_SMI (Enable group SMI onto nIO_SMI pin)
SMI_EN3  Default = 0x00 on VTR POR	18  (R/W)	SMI Enable Register 3 This register is used to enable the different interrupt sources onto the group nSMI output. 1=Enable 0=Disable Bit[0] GP20 Bit[1] GP21 Bit[2] GP22 Bit[3] Reserved Bit[4] GP24 Bit[5] GP25 Bit[6] GP26 Bit[7] GP60
SMI_EN4  Default = 0x00 on VTR POR	19  (R/W)	SMI Enable Register 4 This register is used to enable the different interrupt sources onto the group nSMI output. 1=Enable 0=Disable Bit[0] GP30 Bit[1] GP31 Bit[2] GP32 Bit[3] GP33 Bit[4] GP41 Bit[5] GP42 Bit[6] GP43 Bit[7] GP61

NAME	REG OFFSET (hex)	DESCRIPTION
SMI_EN5  Default = 0x00 on VTR POR	1A  (R/W)	SMI Enable Register 5 This register is used to enable the different interrupt sources onto the group nSMI output. 1=Enable 0=Disable Bit[0] GP54 Bit[1] GP55 Bit[2] GP56 Bit[3] GP57 Bit[4] Reserved Bit[5] Reserved Bit[6] FAN_TACH1 Bit[7] FAN_TACH2
N/A	1B (R)	Bits[7:0] Reserved – reads return 0
MSC_STS  Default = 0x00 on VTR POR	1C  (R/W)	Miscellaneous Status Register Bits[5:0] can be cleared by writing a 1 to their position (writing a 0 has no effect). Bit[0] Either Edge Triggered Interrupt Input 0 Status. This bit is set when an edge occurs on the GP21 pin. Bit[1] Either Edge Triggered Interrupt Input 1 Status. This bit is set when an edge occurs on the GP22 pin. Bit[2] Either Edge Triggered Interrupt Input 2 Status. This bit is set when an edge occurs on the GP41 pin. Bit[3] Either Edge Triggered Interrupt Input 3 Status. This bit is set when an edge occurs on the GP43 pin. Bit[4] Either Edge Triggered Interrupt Input 4 Status. This bit is set when an edge occurs on the GP60 pin. Bit[5] Either Edge Triggered Interrupt Input 5 Status. This bit is set when an edge occurs on the GP61 pin. Bit[7:6] Reserved. This bit always returns zero.
N/A	1D (R)	Bits[7:0] Reserved – reads return 0

NAME	REG OFFSET (hex)	DESCRIPTION
Force Disk Change  Default = 0x03 on VCC POR, PCI Reset and VTR POR	1E  (R/W)	Force Disk Change Bit[0] Force Disk Change for FDC0 0=Inactive 1=Active Bit[1] Force Disk Change for FDC1 0=Inactive 1=Active  Force Change 0 and 1 can be written to 1 but are not clearable by software.  Force Change 0 is cleared on nSTEP and nDS0 Force Change 1 is cleared on nSTEP and nDS1  DSKCHG (FDC DIR Register, Bit 7) = (nDS0 AND Force Change 0) OR (nDS1 AND Force Change 1) OR nDSKCHG  Setting either of the Force Disk Change bits active '1' forces the FDD nDSKCHG input active when the appropriate drive has been selected.  Bit[7:2] Reserved
Floppy Data Rate Select Shadow	1F  (R)	Floppy Data Rate Select Shadow Bit[0] Data Rate Select 0 Bit[1] Data Rate Select 1 Bit[2] PRECOMP 0 Bit[3] PRECOMP 1 Bit[4] PRECOMP 2 Bit[5] Reserved Bit[6] Power Down Bit[7] Soft Reset
UART1 FIFO Control Shadow	20  (R)	UART FIFO Control Shadow 1 Bit[0] FIFO Enable Bit[1] RCVR FIFO Reset Bit[2] XMIT FIFO Reset Bit[3] DMA Mode Select Bit[5:4] Reserved Bit[6] RCVR Trigger (LSB) Bit[7] RCVR Trigger (MSB)
UART2 FIFO Control Shadow	21  (R)	UART FIFO Control Shadow 2 Bit[0] FIFO Enable Bit[1] RCVR FIFO Reset Bit[2] XMIT FIFO Reset Bit[3] DMA Mode Select Bit[5:4] Reserved Bit[6] RCVR Trigger (LSB) Bit[7] RCVR Trigger (MSB)

NAME	REG OFFSET (hex)	DESCRIPTION
Device Disable Register  Default = 0x00 VTR POR	22  Read/Write when GP43 register bits[3:2] = 01 AND GP43 pin = 0 OR GP43 register bits[3:2] ≠ 01  READ-ONLY When GP43 register bits[3:2] =01 AND GP43 pin = 1	If "0" (enabled), bits[7:3] have no effect on the devices; devices are controlled by their respective activate bits. If "1" (disabled), bits[7:3] override the activate bits in the configuration registers for each logical block. Bit[0]: Floppy Write Protect. 0= no effect: floppy write protection is controlled by the write protect pin or the forced write protect bit (bit 0 of register 0xF1 in Logical Device 0); 1= Write Protected. If set to 1, this bit overrides the write protect pin on the part and the forced write protect bit.  nWRTPRT (to the FDC Core) = (nDS0 AND Force Write Protect) OR (nDS1 AND Force Write Protect)OR nWRTPRT (from the FDD Interface) OR Floppy Write Protect  <b>Note:</b> The Force Write Protect bit is in the FDD Option configuration register.  Bits[2:1]: Reserved. Return 0 on read. Bit[3]: Floppy Enable. 0=No effect: FDC controlled by its activate bit; 1=Floppy Disabled Bit[4]: MPU-401 Serial Port Enable. 0=No effect: MPU-401 UART controlled by its activate bit; 1=MPU-401 UART Disabled Bit[5]: Serial Port 2 Enable. 0=No effect: UART2 controlled by its activate bit; 1=UART2 Disabled Bit[6]: Serial Port 1 Enable. 0=No effect: UART1 controlled by its activate bit; 1=UART1 Disabled Bit[7]: Parallel Port Enable. 0=No effect: PP controlled by its activate bit; 1=PP Disabled
GP10  Default = 0x01 on VTR POR	23  (R/W)	General Purpose I/O bit 1.0 Bit[0] In/Out : =1 Input, =0 Output Bit[1] Polarity : =1 Invert, =0 No Invert Bit[2] Alternate Function Select 1=J1B1 (Joystick 1, Button 1) 0=GPIO Bits[6:3] Reserved Bit[7] Output Type Select 1=Open Drain 0=Push Pull



NAME	REG OFFSET (hex)	DESCRIPTION
GP11 Default = 0x01 on VTR POR	24  (R/W)	General Purpose I/O bit 1.1 Bit[0] In/Out : =1 Input, =0 Output Bit[1] Polarity : =1 Invert, =0 No Invert Bit[2] Alternate Function Select 1= J1B2 (Joystick 1, Button 2) 0=GPIO Bits[6:3] Reserved Bit[7] Output Type Select 1=Open Drain 0=Push Pull
GP12 Default = 0x01 on VTR POR	25  (R/W)	General Purpose I/O bit 1.2 Bit[0] In/Out : =1 Input, =0 Output Bit[1] Polarity : =1 Invert, =0 No Invert Bit[2] Alternate Function Select 1= J2B1 (Joystick 2, Button 1) 0=GPIO Bits[6:3] Reserved Bit[7] Output Type Select 1=Open Drain 0=Push Pull
GP13 Default = 0x01 on VTR POR	26  (R/W)	General Purpose I/O bit 1.3 Bit[0] In/Out : =1 Input, =0 Output Bit[1] Polarity : =1 Invert, =0 No Invert Bit[2] Alternate Function Select 1= J2B2 (Joystick 2, Button 2) 0=GPIO Bits[6:3] Reserved Bit[7] Output Type Select 1=Open Drain 0=Push Pull
GP14 Default = 0x01 on VTR POR	27  (R/W)	General Purpose I/O bit 1.4 Bit[0] In/Out : =1 Input, =0 Output Bit[1] Polarity : =1 Invert, =0 No Invert Bit[2] Alternate Function Select 1= J1X (Joystick 1, X-Axis RC Constant) 0=GPIO Bits[6:3] Reserved Bit[7] Output Type Select 1=Open Drain 0=Push Pull
GP15 Default = 0x01 on VTR POR	28  (R/W)	General Purpose I/O bit 1.5 Bit[0] In/Out : =1 Input, =0 Output Bit[1] Polarity : =1 Invert, =0 No Invert Bit[2] Alternate Function Select 1= J1Y (Joystick 1, Y-Axis RC Constant) 0=GPIO Bits[6:3] Reserved Bit[7] Output Type Select 1=Open Drain 0=Push Pull

NAME	REG OFFSET (hex)	DESCRIPTION
GP16  Default = 0x01 on VTR POR	29  (R/W)	General Purpose I/O bit 1.6 Bit[0] In/Out : =1 Input, =0 Output Bit[1] Polarity : =1 Invert, =0 No Invert Bit[2] Alternate Function Select 1= J2X (Joystick 2, X-Axis RC Constant) 0=GPIO Bits[6:3] Reserved Bit[7] Output Type Select 1=Open Drain 0=Push Pull
GP17  Default = 0x01 on VTR POR	2A  (R/W)	General Purpose I/O bit 1.7 Bit[0] In/Out : =1 Input, =0 Output Bit[1] Polarity : =1 Invert, =0 No Invert Bit[2] Alternate Function Select 1= J2Y (Joystick 2, Y-Axis RC Constant) 0=GPIO Bits[6:3] Reserved Bit[7] Output Type Select 1=Open Drain 0=Push Pull
GP20  Default = 0x01 on VTR POR	2B  (R/W)	General Purpose I/O bit 2.0 Bit[0] In/Out : =1 Input, =0 Output Bit[1] Polarity : =1 Invert, =0 No Invert Bit[2] Alternate Function Select 1=8042 P17 function 0=Basic GPIO function Bits[6:3] Reserved Bit[7] Output Type Select 1=Open Drain 0=Push Pull
GP21  Default =0x01 on VTR POR	2C  (R/W)	General Purpose I/O bit 2.1 Bit[0] In/Out : =1 Input, =0 Output Bit[1] Polarity : =1 Invert, =0 No Invert Bit[3:2] Alternate Function Select 11= nDS1 – Floppy Drive Select 1 (Note 4) 10=Either Edge Triggered Interrupt Input 0 (Note 1), 01=8042 P16 function (User Note 2) 00=Basic GPIO function Bits[6:4] Reserved Bit[7] Output Type Select 1=Open Drain 0=Push Pull

NAME	REG OFFSET (hex)	DESCRIPTION
GP22  Default =0x01 on VTR POR	2D  (R/W)	General Purpose I/O bit 2.2 Bit[0] In/Out : =1 Input, =0 Output Bit[1] Polarity : =1 Invert, =0 No Invert Bit[3:2] Alternate Function Select 11= nMTR1 – Floppy Motor Select 1 (Note 4) 10=Either Edge Triggered Interrupt Input 1 (Note 1) 01=8042 P12 function (User Note 2) 00=Basic GPIO function Bits[6:4] Reserved Bit[7] Output Type Select 1=Open Drain 0=Push Pull
N/A	2E (R)	Bits[7:0] Reserved – reads return 0
GP24  Default = 0x01 on VTR POR	2F  (R/W)	General Purpose I/O bit 2.4 Bit[0] In/Out : =1 Input, =0 Output Bit[1] Polarity : =1 Invert, =0 No Invert Bit[2] Reserved Bits[6:3] Reserved Bit[7] Output Type Select 1=Open Drain 0=Push Pull
GP25  Default = 0x01 on VTR POR	30 (R/W)	General Purpose I/O bit 2.5 Bit[0] In/Out : =1 Input, =0 Output Bit[1] Polarity : =1 Invert, =0 No Invert Bit[2] Alternate Function Select 1=MIDI_IN 0=GPIO Bits[6:3] Reserved Bit[7] Output Type Select 1=Open Drain 0=Push Pull
GP26  Default = 0x01 on VTR POR	31 (R/W)	General Purpose I/O bit 2.6 Bit[0] In/Out : =1 Input, =0 Output Bit[1] Polarity : =1 Invert, =0 No Invert Bit[2] Alternate Function Select 1=MIDI_OUT 0=GPIO Bits[6:3] Reserved Bit[7] Output Type Select 1=Open Drain 0=Push Pull

NAME	REG OFFSET (hex)	DESCRIPTION
GP27  Default = 0x01 on VTR POR	32  (R/W)	General Purpose I/O bit 2.7 Bit[0] In/Out : =1 Input, =0 Output Bit[1] Polarity : =1 Invert, =0 No Invert Bit[2] Alternate Function Select 1=nIO_SMI (Note 5) 0=GPIO Bits[6:3] Reserved Bit[7] Output Type Select 1=Open Drain 0=Push Pull
GP30  Default = 0x01 on VTR POR	33  (R/W)	General Purpose I/O bit 3.0 Bit[0] In/Out : =1 Input, =0 Output Bit[1] Polarity : =1 Invert, =0 No Invert Bit[2] Alternate Function Select 1=FAN_TACH2 0=GPIO Bits[6:3] Reserved Bit[7] Output Type Select 1=Open Drain 0=Push Pull
GP31  Default = 0x01 on VTR POR	34  (R/W)	General Purpose I/O bit 3.1 Bit[0] In/Out : =1 Input, =0 Output Bit[1] Polarity : =1 Invert, =0 No Invert Bit[2] Alternate Function Select 1=FAN_TACH1 0=GPIO Bits[6:3] Reserved Bit[7] Output Type Select 1=Open Drain 0=Push Pull
GP32  Default = 0x01 on VTR POR Default = 0x00 on VCC POR and PCI Reset (Note 3)	35  (R/W)	General Purpose I/O bit 3.2 Bit[0] In/Out : =1 Input, =0 Output Bit[1] Polarity : =1 Invert, =0 No Invert Bit[2] Alternate Function Select 1=FAN2 0=GPIO Bits[6:3] Reserved Bit[7] Output Type Select 1=Open Drain 0=Push Pull

NAME	REG OFFSET (hex)	DESCRIPTION
GP33  Default = 0x01 on VTR POR Default = 0x00 on VCC POR and PCI Reset (Note 3)	36  (R/W)	General Purpose I/O bit 3.3 Bit[0] In/Out : =1 Input, =0 Output Bit[1] Polarity : =1 Invert, =0 No Invert Bit[2] Alternate Function Select 1=FAN1 0=GPIO Bits[6:3] Reserved Bit[7] Output Type Select 1=Open Drain 0=Push Pull
GP34  Default = 0x05 on VTR POR	37  (R/W)	General Purpose I/O bit 3.4 Bit[0] In/Out : =1 Input, =0 Output Bit[1] Polarity : =1 Invert, =0 No Invert Bit[2] Alternate Function Select 1=IRRX2 0=GPIO Bits[6:3] Reserved Bit[7] Output Type Select 1=Open Drain 0=Push Pull
GP35  Default = 0x04 on VTR POR, VCC POR and PCI Reset  (Note 3)	38  (R/W)	General Purpose I/O bit 3.5 Bit[0] In/Out : =1 Input, =0 Output Bit[1] Polarity : =1 Invert, =0 No Invert Bit[2] Alternate Function Select 1=IRTX2 (Note 2) 0=GPIO Bits[6:3] Reserved Bit[7] Output Type Select 1=Open Drain 0=Push Pull
GP36  Default = 0x01 on VTR POR	39  (R/W)	General Purpose I/O bit 3.6 Bit[0] In/Out : =1 Input, =0 Output Bit[1] Polarity : =1 Invert, =0 No Invert Bit[2] Alternate Function Select 1= nKBDRST 0=Basic GPIO function Bits[6:3] Reserved Bit[7] Output Type Select 1=Open Drain 0=Push Pull
GP37  Default = 0x01 on VTR POR	3A  (R/W)	General Purpose I/O bit 3.7 Bit[0] In/Out : =1 Input, =0 Output Bit[1] Polarity : =1 Invert, =0 No Invert Bit[2] Alternate Function Select 1=A20M 0=Basic GPIO function Bits[6:3] Reserved Bit[7] Output Type Select 1=Open Drain 0=Push Pull

NAME	REG OFFSET (hex)	DESCRIPTION
GP40 Default =0x01 on VTR POR	3B  (R/W)	General Purpose I/O bit 4.0 Bit[0] In/Out : =1 Input, =0 Output Bit[1] Polarity : =1 Invert, =0 No Invert Bit[2] Alternate Function Select 1=DRVDEN0 (Note 4) 0=Basic GPIO function Bits[6:3] Reserved Bit[7] Output Type Select 1=Open Drain 0=Push Pull
GP41 Default =0x01 on VTR POR	3C  (R/W)	General Purpose I/O bit 4.1 Bit[0] In/Out : =1 Input, =0 Output Bit[1] Polarity : =1 Invert, =0 No Invert Bit[3:2] Alternate Function Select 11=Reserved 10=Either Edge Triggered Interrupt Input 2 (Note 1) 01=DRVDEN1 (Note 4) 00=Basic GPIO function Bits[6:4] Reserved Bit[7] Output Type Select 1=Open Drain 0=Push Pull
GP42 Default =0x01 on VTR POR	3D  (R/W)	General Purpose I/O bit 4.2 Bit[0] In/Out : =1 Input, =0 Output Bit[1] Polarity : =1 Invert, =0 No Invert Bit[2] Alternate Function Select 1=nIO_PME Note: configuring this pin function as output with non-inverted polarity will give an active low output signal. The output type can be either open drain or push-pull. 0=Basic GPIO function Bits[6:3] Reserved Bit[7] Output Type Select 1=Open Drain 0=Push Pull

NAME	REG OFFSET (hex)	DESCRIPTION
GP43  Default = 0x01 on VTR POR Bits[3:2] are reset (cleared) on VCC POR, VTR POR and PCI Reset	3E  (R/W)	General Purpose I/O bit 4.3 Bit[0] In/Out : =1 Input, =0 Output Bit[1] Polarity : =1 Invert, =0 No Invert Bit[3:2] Alternate Function Select 11=Either Edge Triggered Interrupt Input 3 (Note 1) 10=Reserved 01=Device Disable Register Control. The GP43 pin is an input, with non-inverted polarity. When bits[3:2]=01, they cannot be changed by writing to these bits; they are cleared by VCC POR, PCI Reset and VTR POR. That is, when the DDRC function is selected for this pin, it cannot be changed, except by a VCC POR, PCI Reset or VTR POR. The Device Disable register is controlled by the value of the GP43 pin as follows: If the GP43 pin is high, the Device Disable Register is Read-Only. If the GP43 pin is low, the Device Disable Register is Read/Write.  00=Basic GPIO function Bits[6:4] Reserved Bit[7] Output Type Select 1=Open Drain 0=Push Pull
GP50  Default = 0x01 on VTR POR	3F  (R/W)	General Purpose I/O bit 5.0 Bit[0] In/Out : =1 Input, =0 Output Bit[1] Polarity : =1 Invert, =0 No Invert Bit[3:2] Alternate Function Select 11=Reserved 10=Reserved 01=nRI2 (User Note 1) 00=GPIO Bits[6:4] Reserved Bit[7] Output Type Select 1=Open Drain 0=Push Pull
GP51  Default = 0x01 on VTR POR	40  (R/W)	General Purpose I/O bit 5.1 Bit[0] In/Out : =1 Input, =0 Output Bit[1] Polarity : =1 Invert, =0 No Invert Bit[3:2] Alternate Function Select 11=Reserved 10=Reserved 01=nDCD2 00=GPIO Bits[6:4] Reserved Bit[7] Output Type Select 1=Open Drain 0=Push Pull

NAME	REG OFFSET (hex)	DESCRIPTION
GP52  Default = 0x01 on VTR POR	41  (R/W)	General Purpose I/O bit 5.2 Bit[0] In/Out : =1 Input, =0 Output Bit[1] Polarity : =1 Invert, =0 No Invert Bit[3:2] Alternate Function Select 11=Reserved 10=Reserved 01=RXD2 00=GPIO Bits[6:4] Reserved Bit[7] Output Type Select 1=Open Drain 0=Push Pull
GP53  Default = 0x00 on VTR POR, VCC POR and PCI Reset (Note 3)	42  (R/W)	General Purpose I/O bit 5.3 Bit[0] In/Out : =1 Input, =0 Output Bit[1] Polarity : =1 Invert, =0 No Invert Bit[3:2] Alternate Function Select 11=Reserved 10=Reserved 01=TXD2 00=GPIO Bits[6:4] Reserved Bit[7] Output Type Select 1=Open Drain 0=Push Pull
GP54  Default = 0x01 on VTR POR	43  (R/W)	General Purpose I/O bit 5.4 Bit[0] In/Out : =1 Input, =0 Output Bit[1] Polarity : =1 Invert, =0 No Invert Bit[3:2] Alternate Function Select 11=Reserved 10=Reserved 01=nDSR2 00=GPIO Bits[6:4] Reserved Bit[7] Output Type Select 1=Open Drain 0=Push Pull
GP55  Default = 0x01 on VTR POR	44  (R/W)	General Purpose I/O bit 5.5 Bit[0] In/Out : =1 Input, =0 Output Bit[1] Polarity : =1 Invert, =0 No Invert Bit[3:2] Alternate Function Select 11=Reserved 10=Reserved 01=nRTS2 00=GPIO Bits[6:4] Reserved Bit[7] Output Type Select 1=Open Drain 0=Push Pull



NAME	REG OFFSET (hex)	DESCRIPTION
GP56  Default = 0x01 on VTR POR	45  (R/W)	General Purpose I/O bit 5.6 Bit[0] In/Out : =1 Input, =0 Output Bit[1] Polarity : =1 Invert, =0 No Invert Bit[3:2] Alternate Function Select 11=Reserved 10=Reserved 01=nCTS2 00=GPIO Bits[6:4] Reserved Bit[7] Output Type Select 1=Open Drain 0=Push Pull
GP57  Default = 0x01 on VTR POR	46  (R/W)	General Purpose I/O bit 5.7 Bit[0] In/Out : =1 Input, =0 Output Bit[1] Polarity : =1 Invert, =0 No Invert Bit[3:2] Alternate Function Select 11=Reserved 10=Reserved 01=nDTR2 00=GPIO Bits[6:4] Reserved Bit[7] Output Type Select 1=Open Drain 0=Push Pull
GP60  Default = 0x01 on VTR POR	47  (R/W)	General Purpose I/O bit 6.0 Bit[0] In/Out : =1 Input, =0 Output Bit[1] Polarity : =1 Invert, =0 No Invert Bit[3:2] Alternate Function Select 11=Reserved 10=Either Edge Triggered Interrupt Input 4 (Note 1) 01=LED1 00=GPIO Bits[6:4] Reserved Bit[7] Output Type Select 1=Open Drain 0=Push Pull
GP61  Default = 0x01 on VTR POR	48  (R/W)	General Purpose I/O bit 6.1 Bit[0] In/Out : =1 Input, =0 Output Bit[1] Polarity : =1 Invert, =0 No Invert Bit[3:2] Alternate Function Select 11=Reserved 10=Either Edge Triggered Interrupt Input 5 (Note 1) 01=LED2 00=GPIO Bits[6:4] Reserved Bit[7] Output Type Select 1=Open Drain 0=Push Pull
N/A	49 – 4A (R)	Bits[7:0] Reserved – reads return 0

NAME	REG OFFSET (hex)	DESCRIPTION
GP1  Default = 0x00 on VTR POR	4B  (R/W)	General Purpose I/O Data Register 1 Bit[0] GP10 Bit[1] GP11 Bit[2] GP12 Bit[3] GP13 Bit[4] GP14 Bit[5] GP15 Bit[6] GP16 Bit[7] GP17
GP2  Default = 0x00 on VTR POR	4C  (R/W)	General Purpose I/O Data Register 2 Bit[0] GP20 Bit[1] GP21 Bit[2] GP22 Bit[3] Reserved Bit[4] GP24 Bit[5] GP25 Bit[6] GP26 Bit[7] GP27
GP3  Default = 0x00 on VTR POR Bits 2 and 3 are reset on VCC POR, PCI Reset and VTR POR	4D  (R/W)	General Purpose I/O Data Register 3 Bit[0] GP30 Bit[1] GP31 Bit[2] GP32 Bit[3] GP33 Bit[4] GP34 Bit[5] GP35 Bit[6] GP36 Bit[7] GP37
GP4  Default = 0x00 on VTR POR	4E  (R/W)	General Purpose I/O Data Register 4 Bit[0] GP40 Bit[1] GP41 Bit[2] GP42 Bit[3] GP43 Bit[7:4] Reserved
GP5  Default = 0x00 on VTR POR Bit 3 is reset on VCC POR, PCI Reset and VTR POR	4F  (R/W)	General Purpose I/O Data Register 5 Bit[0] GP50 Bit[1] GP51 Bit[2] GP52 Bit[3] GP53 Bit[4] GP54 Bit[5] GP55 Bit[6] GP56 Bit[7] GP57
GP6  Default = 0x00 on VTR POR	50  (R/W)	General Purpose I/O Data Register 6 Bit[0] GP60 Bit[1] GP61 Bit[7:2] Reserved
N/A	51 – 55 (R)	Bits[7:0] Reserved – reads return 0

NAME	REG OFFSET (hex)	DESCRIPTION
FAN1  Default=0x00 on VTR POR	56  (R/W)	FAN Register 1 Bit[0] Fan Control 1=FAN1 pin is high 0=bits[6:1] control the duty cycle of the FAN1 pin. Bit[6:1] Duty Cycle Control for FAN1 Control the duty cycle of the FAN1 pin 000000 = pin is low 100000 = 50% duty cycle 111111 = pin is high for 63, low for 1 Bit[7] Fan 1 Clock Select This bit is used with the Fan 1 Clock Source Select and the Fan 1 Clock Multiplier bits in the Fan Control register (0x58) to determine the fan speed $F_{OUT}$ . See Table 56 in "Fan Speed Control and Monitoring" section. The fan speed may be doubled through bit 2 of Fan Control Register at 0x58.
FAN2  Default = 0x00 on VTR POR	57  (R/W)	FAN Register 2 Bit[0] Fan Control 1=FAN2 pin is high 0=bits[6:1] control the duty cycle of the FAN2 pin. Bit[6:1] Duty Cycle Control for FAN2 Control the duty cycle of the FAN2 pin 000000 = pin is low 100000 = 50% duty cycle 111111 = pin is high for 63, low for 1 Bit[7] Fan 2 Clock Select This bit is used with the Fan 2 Clock Source Select and the Fan 2 Clock Multiplier bits in the Fan Control register (0x58) to determine the fan speed $F_{OUT}$ . See Table 56 in "Fan Speed Control and Monitoring" section. The fan speed may be doubled through bit 3 of Fan Control Register at 0x58.

NAME	REG OFFSET (hex)	DESCRIPTION
Fan Control  Default = 0x50 on VTR POR	58  (R/W)	<p>Fan Control Register</p> <p>Bit[0] Fan 1 Clock Source Select This bit and the Fan 1 Clock Multiplier bit is used with The Fan 1 Clock Select bit in the Fan 1 register (0x56) to determine the fan speed <math>F_{OUT}</math>. See Table 56 in “Fan Speed Control and Monitoring” section.</p> <p>Bit[1] Fan 2 Clock Source Select This bit and the Fan 2 Clock Multiplier bit is used with The Fan 2 Clock Select bit in the Fan 2 register (0x57) to determine the fan speed <math>F_{OUT}</math>. See Table 56 in “Fan Speed Control and Monitoring” section.</p> <p>Bit[2] Fan 1 Clock multiplier 0=No multiplier used 1=Double the fan speed selected by bit 0 of this register and bit 7 of the FAN1 register</p> <p>Bit[3] Fan 2 Clock multiplier 0=No multiplier used 1=Double the fan speed selected by bit 1 of this register and bit 7 of the FAN2 register</p> <p>Bit[5:4] The FAN1 count divisor. Clock scalar for adjusting the tachometer count. Default = 2. 00: divisor = 1 01: divisor = 2 10: divisor = 4 11: divisor = 8</p> <p>Bit[7:6] The FAN2 count divisor. Clock scalar for adjusting the tachometer count. Default = 2. 00: divisor = 1 01: divisor = 2 10: divisor = 4 11: divisor = 8</p>
Fan1 Tachometer Register  Default = 0x00 on VTR POR	59  (R)	<p>Fan Tachometer Register 1</p> <p>Bit[7:0] The 8-bit FAN1 tachometer count. The number of counts of the internal clock per pulse of the fan. The count value is computed from Equation 1. This value is the final (maximum) count of the previous pulse (latched). The value in this register may not be valid for up to 2 pulses following a write to the preload register.</p>
Fan2 Tachometer Register  Default = 0x00 on VTR POR	5A  (R)	<p>Fan Tachometer Register 2</p> <p>Bit[7:0] The 8-bit FAN2 tachometer count. The number of counts of the internal clock per pulse of the fan. The count value is computed from Equation 1. This value is the final (maximum) count of the previous pulse (latched). The value in this register may not be valid for up to 2 pulses following a write to the preload register.</p>
Fan1 Preload Register  Default = 0x00 on VTR POR	5B  (R/W)	<p>Fan Preload Register 1</p> <p>Bit[7:0] The FAN1 tachometer preload. This is the initial value used in the computation of the FAN1 count. Writing this register resets the tachometer count.</p>

NAME	REG OFFSET (hex)	DESCRIPTION
Fan2 Preload Register  Default = 0x00 on VTR POR	5C  (R/W)	Fan Preload Register 2 Bit[7:0] The FAN2 tachometer preload. This is the initial value used in the computation of the FAN2 count. Writing this register resets the tachometer count.
LED1  Default = 0x00 on VTR POR	5D  (R/W)	LED1 Bit[1:0] LED1 Control 00=off 01=blink at 1Hz rate with a 50% duty cycle (0.5 sec on, 0.5 sec off) 10=Blink at ½ HZ rate with a 25% duty cycle (0.5 sec on, 1.5 sec off) 11=on Bits[7:2] Reserved
LED2  Default = 0x00 on VTR POR	5E  (R/W)	LED2 Bit[1:0] LED2 Control 00=off 01=blink at 1Hz rate with a 50% duty cycle (0.5 sec on, 0.5 sec off) 10=Blink at ½ HZ rate with a 25% duty cycle (0.5 sec on, 1.5 sec off) 11=on Bits[7:2] Reserved
Keyboard Scan Code  Default = 0x00 on VTR POR	5F  (R/W)	Keyboard Scan Code Bit[0] LSB of Scan Code ... ... ... Bit[7] MSB of Scan Code
N/A	60-7F (R)	Bits[7:0] Reserved – reads return 0

**User Note:** When selecting an alternate function for a GPIO pin, all bits in the GPIO register must be properly programmed, including in/out, polarity and output type. The polarity bit does not affect the DDRC function or the either edge triggered interrupt functions.

**User Note 1:** If this pin is used for Ring Indicator wakeup, either the nRI2 event can be enabled via bit 1 in the PME\_EN1 register or the GP50 PME event can be enabled via bit 0 in the PME\_EN5 register.

**User Note 2:** In order to use the P12, P16 and P17 functions, the corresponding GPIO must be programmed for output, non-invert, and push-pull output type.

**Note 1:** If the EETI function is selected for this GPIO then both a high-to-low and a low-to-high edge will set the PME, SMI and MSC status bits.

**Note 2:** The IRTX2 function can be used on this pin if the IR Location Mux bit in the Serial Port 2 IR Option register is set.

**Note 3:** These pins default to an output and LOW on VCC POR and PCI Reset.

**Note 4:** If the FDC function is selected on this pin (nMTR1, nDS1, DRV DEN0, DRV DEN1) then bit 6 of the FDD Mode Register (Configuration Register 0xF0 in Logical Device 0) will override bit 7 in the GPIO Control Register. Bit 7 of the FDD Mode Register will also affect the pin if the FDC function is selected.

**Note 5:** The nIO\_SMI pin is inactive when the internal group SMI signal is inactive and when the SMI enable bit (EN\_SMI, bit 7 of the SMI\_EN2 register) is '0'. When the output buffer type is OD, nIO\_SMI pin is floating when inactive; when the output buffer type is push-pull, the nIO\_SMI pin is high when inactive.

**Note 6:** Bits 2 and 3 of the PME\_STS4 and SMI\_STS4 registers, and bit 3 of the PME\_STS5 register may be set on a VCC POR. If GP32, GP33 and GP53 are configured as input, then their corresponding PME and SMI status bits will be set on a VCC POR. These GPIOs cannot be used for PME wakeup when the part is under VTR power (VCC=0).

**Note 7:** These bits are R/W but have no effect on circuit operation.

## 9 CONFIGURATION

The Configuration of the LPC47M192 is very flexible and is based on the configuration architecture implemented in typical Plug-and-Play components. The LPC47M192 is designed for motherboard applications in which the resources required by their components are known. With its flexible resource allocation architecture, the LPC47M192 allows the BIOS to assign resources at POST.

### 9.1 System Elements

#### 9.1.1 PRIMARY CONFIGURATION ADDRESS DECODER

After a hard reset (PCI\_RESET# pin asserted) or Vcc Power On Reset the LPC47M192 is in the Run Mode with all logical devices disabled. The logical devices may be configured through two standard Configuration I/O Ports (INDEX and DATA) by placing the LPC47M192 into Configuration Mode.

The BIOS uses these configuration ports to initialize the logical devices at POST. The INDEX and DATA ports are only valid when the LPC47M192 is in Configuration Mode.

The SYSOPT pin is latched on the falling edge of the PCI\_RESET# or on Vcc Power On Reset to determine the configuration register's base address. The SYSOPT pin is used to select the CONFIG PORT's I/O address at power-up. Once powered up the configuration port base address can be changed through configuration registers CR26 and CR27. **The SYSOPT pin is a hardware configuration pin which is shared with the GP24 signal on pin 45.**

**Note:** An external pull-down resistor is required for the base IO address to be 0x02E for configuration. An external pull-up resistor is required to move the base IO address for configuration to 0x04E.

The INDEX and DATA ports are effective only when the chip is in the Configuration State.

PORT NAME	SYSOPT= 0 10k PULL-DOWN RESISTOR	SYSOPT= 1 10K PULL-UP RESISTOR	TYPE
CONFIG PORT (Note)	0x02E	0x04E	Write
INDEX PORT (Note)	0x02E	0x04E	Read/Write
DATA PORT	INDEX PORT + 1		Read/Write

**Note:** The configuration port base address can be relocated through CR26 and CR27.

##### 9.1.1.1 Entering the Configuration State

The device enters the Configuration State when the following Config Key is successfully written to the CONFIG PORT.

**Config Key = <0x55>**

##### 9.1.1.2 Exiting the Configuration State

The device exits the Configuration State when the following Config Key is successfully written to the CONFIG PORT.

**Config Key = <0xAA>**

## 9.2 Configuration Sequence

To program the configuration registers, the following sequence must be followed:

- 1) Enter Configuration Mode
- 2) Configure the Configuration Registers
- 3) Exit Configuration Mode

### 9.2.1 ENTER CONFIGURATION MODE

To place the chip into the Configuration State the Config Key is sent to the chip's CONFIG PORT. The config key consists of 0x55 written to the CONFIG PORT. Once the configuration key is received correctly the chip enters into the Configuration State (The auto Config ports are enabled).

#### 9.2.1.1 Configuration Mode

The system sets the logical device information and activates desired logical devices through the INDEX and DATA ports. In configuration mode, the INDEX PORT is located at the CONFIG PORT address and the DATA PORT is at INDEX PORT address + 1.

The desired configuration registers are accessed in two steps:

- a) Write the index of the Logical Device Number Configuration Register (i.e., 0x07) to the INDEX PORT and then write the number of the desired logical device to the DATA PORT
- b) Write the address of the desired configuration register within the logical device to the INDEX PORT and then write or read the configuration register through the DATA PORT.

**Note:** If accessing the Global Configuration Registers, step (a) is not required.

### 9.2.2 EXIT CONFIGURATION MODE

To exit the Configuration State the system writes 0xAA to the CONFIG PORT. The chip returns to the RUN State.

**Note:** Only two states are defined (Run and Configuration). In the Run State the chip will always be ready to enter the Configuration State.

#### 9.2.2.1 Programming Example

The following is an example of a configuration program in Intel 8086 assembly language.

```
-----  
; ENTER CONFIGURATION MODE |  
-----  
MOV    DX,02EH  
MOV    AX,055H  
OUT    DX,AL  
-----  
; CONFIGURE REGISTER CRE0, |  
; LOGICAL DEVICE 8      |  
-----  
MOV    DX,02EH  
MOV    AL,07H  
OUT    DX,AL ;Point to LD# Config Reg  
MOV    DX,02FH  
MOV    AL, 08H  
OUT    DX,AL;Point to Logical Device 8  
;  
MOV    DX,02EH  
MOV    AL,E0H  
OUT    DX,AL ; Point to CRE0  
MOV    DX,02FH  
MOV    AL,02H  
OUT    DX,AL ; Update CRE0  
-----  
; EXIT CONFIGURATION MODE |  
-----  
MOV    DX,02EH  
MOV    AX,0AAH  
OUT    DX,AL
```

**Notes:**

**HARD RESET:** PCI\_RESET# pin asserted.

**SOFT RESET:** Bit 0 of Configuration Control register set to one. All host accesses are blocked for 500µs after Vcc POR (see Power-up Timing Diagram)

**Table 64 – LPC47M192 Configuration Registers Summary**

INDEX	TYPE	PCI RESET	VCC POR	VTR POR	SOFT RESET	CONFIGURATION REGISTER
<b>GLOBAL CONFIGURATION REGISTERS</b>						
0x02	W	0x00	0x00	0x00	-	Config Control
0x03	R	-	-	-	-	Reserved – reads return 0
0x07	R/W	0x00	0x00	0x00	0x00	Logical Device Number
0x20	R	0x60	0x60	0x60	0x60	Device ID - hard wired
0x21	R	Current Revision				Device Rev - hard wired
0x22	R/W	0x00	0x00	0x00	0x00	Power Control
0x23	R/W	0x00	0x00	0x00	-	Power Mgmt
0x24	R/W	0x44	0x44	0x44	-	OSC
0x26	R/W	Sysopt=0: 0x2E Sysopt=1: 0x4E	Sysopt=0: 0x2E Sysopt=1: 0x4E	-	-	Configuration Port Address Byte 0 (Low Byte)
0x27	R/W	Sysopt=0: 0x00 Sysopt=1: 0x00	Sysopt=0: 0x00 Sysopt=1: 0x00	-	-	Configuration Port Address Byte 1 (High Byte)
0x28	R	-	-	-	-	Reserved
0x2A	R/W	-	0x00	0x00	-	TEST 6
0x2B	R/W	-	0x00	0x00	-	TEST 4
0x2C	R/W	-	0x00	0x00	-	TEST 5
0x2D	R/W	-	0x00	0x00	-	TEST 1
0x2E	R/W	-	0x00	0x00	-	TEST 2
0x2F	R/W	-	0x00	0x00	-	TEST 3
<b>LOGICAL DEVICE 0 CONFIGURATION REGISTERS (FDD)</b>						
0x30	R/W	0x00	0x00	0x00	0x00	Activate
0x60	R/W	0x03	0x03	0x03	0x03	Primary Base I/O Address High Byte
0x61	R/W	0xF0	0xF0	0xF0	0xF0	Primary Base I/O Address Low Byte
0x70	R/W	0x06	0x06	0x06	0x06	Primary Interrupt Select
0x74	R/W	0x02	0x02	0x02	0x02	DMA Channel Select
0xF0	R/W	0x0E	0x0E	0x0E	-	FDD Mode Register
0xF1	R/W	0x00	0x00	0x00	-	FDD Option Register
0xF2	R/W	0xFF	0xFF	0xFF	-	FDD Type Register
0xF4	R/W	0x00	0x00	0x00	-	FDD0
0xF5	R/W	0x00	0x00	0x00	-	FDD1
<b>LOGICAL DEVICE 1 CONFIGURATION REGISTERS (Reserved)</b>						
<b>LOGICAL DEVICE 2 CONFIGURATION REGISTERS (Reserved)</b>						
<b>LOGICAL DEVICE 3 CONFIGURATION REGISTERS (Parallel Port)</b>						
0x30	R/W	0x00	0x00	0x00	0x00	Activate
0x60	R/W	0x00	0x00	0x00	0x00	Primary Base I/O Address High Byte
0x61	R/W	0x00	0x00	0x00	0x00	Primary Base I/O Address Low Byte
0x70	R/W	0x00	0x00	0x00	0x00	Primary Interrupt Select
0x74	R/W	0x04	0x04	0x04	0x04	DMA Channel Select
0xF0	R/W	0x3C	0x3C	0x3C	-	Parallel Port Mode Register
0xF1	R/W	0x00	0x00	0x00	-	Parallel Port Mode Register 2



INDEX	TYPE	PCI RESET	VCC POR	VTR POR	SOFT RESET	CONFIGURATION REGISTER
<b>LOGICAL DEVICE 4 CONFIGURATION REGISTERS (Serial Port 1)</b>						
0x30	R/W	0x00	0x00	0x00	0x00	Activate
0x60	R/W	0x00	0x00	0x00	0x00	Primary Base I/O Address High Byte
0x61	R/W	0x00	0x00	0x00	0x00	Primary Base I/O Address Low Byte
0x70	R/W	0x00	0x00	0x00	0x00	Primary Interrupt Select
0xF0	R/W	0x00	0x00	0x00	-	Serial Port 1 Mode Register
<b>LOGICAL DEVICE 5 CONFIGURATION REGISTERS (Serial Port 2)</b>						
0x30	R/W	-	-	0x00	-	Activate
0x60	R/W	0x00	0x00	0x00	0x00	Primary Base I/O Address High Byte
0x61	R/W	0x00	0x00	0x00	0x00	Primary Base I/O Address Low Byte
0x70	R/W	0x00	0x00	0x00	0x00	Primary Interrupt Select
0xF0	R/W	0x00	0x00	0x00	-	Serial Port 2 Mode Register
0xF1	R/W	0x02	0x02	0x02	-	IR Options Register
0xF2	R/W	0x03	0x03	0x03	-	IR Half Duplex Timeout
<b>LOGICAL DEVICE 6 CONFIGURATION REGISTERS (Reserved)</b>						
<b>LOGICAL DEVICE 7 CONFIGURATION REGISTERS (Keyboard)</b>						
0x30	R/W	0x00	0x00	0x00	0x00	Activate
0x70	R/W	0x00	0x00	0x00	0x00	Primary Interrupt Select (Keyboard)
0x72	R/W	0x00	0x00	0x00	0x00	Secondary Interrupt Select (Mouse)
0xF0	R/W	0x00 (Note 1)	0x00 (Note 1)	0x00	-	KRESET and GateA20 Select
<b>LOGICAL DEVICE 8 CONFIGURATION REGISTERS (Reserved)</b>						
<b>LOGICAL DEVICE 9 CONFIGURATION REGISTERS (Game Port)</b>						
0x30	R/W	0x00	0x00	0x00	0x00	Activate
0x60	R/W	0x00	0x00	0x00	0x00	Primary Base I/O Address High Byte
0x61	R/W	0x00	0x00	0x00	0x00	Primary Base I/O Address Low Byte
<b>LOGICAL DEVICE A CONFIGURATION REGISTERS (Runtime Registers)</b>						
0x30	R/W	0x00	0x00	0x00	0x00	Activate
0x60	R/W	0x00	0x00	0x00	0x00	Primary Base I/O Address High Byte
0x61	R/W	0x00	0x00	0x00	0x00	Primary Base I/O Address Low Byte
0xF0	R/W	-	-	0x00	-	CLOCKI32
<b>LOGICAL DEVICE B CONFIGURATION REGISTERS (MPU-401)</b>						
0x30	R/W	0x00	0x00	0x00	0x00	Activate
0x60,	R/W	0x03	0x03	0x03	0x03	MPU-401 Primary Base I/O Address High Byte
0x61	R/W	0x30	0x30	0x30	0x30	MPU-401 Primary Base I/O Address Low Byte
0x70	R/W	0x05	0x05	0x05	0x05	Primary Interrupt Select

**Note:** Reserved registers are read-only, reads return 0.

Note 1. Bits[6:5] of KRESET and GateA20 Select register reset on VTR POR only.

### 9.3 Chip Level (Global) Control/Configuration Registers [0x00-0x2F]

The chip-level (global) registers lie in the address range [0x00-0x2F]. The design MUST use all 8 bits of the ADDRESS Port for register selection. All unimplemented registers and bits ignore writes and return zero when read. The INDEX PORT is used to select a configuration register in the chip. The DATA PORT is then used to access the selected register. These registers are accessible only in the Configuration Mode.

**Table 65 - Chip Level Registers**

REGISTER	ADDRESS	DESCRIPTION
<b>Chip (Global) Control Registers</b>		
	0x00 - 0x01	Reserved - Writes are ignored, reads return 0.
Config Control  Default = 0x00 on VCC POR, VTR POR and PCI RESET	0x02 W	The hardware automatically clears this bit after the write, there is no need for software to clear the bits. Bit 0 = 1: Soft Reset. Refer to the "Configuration Registers" table for the soft reset value for each register.
	0x03 - 0x06	Reserved - Writes are ignored, reads return 0.
Logical Device #  Default = 0x00 on VCC POR, VTR POR, SOFT RESET and PCI RESET	0x07 R/W	A write to this register selects the current logical device. This allows access to the control and configuration registers for each logical device. Note: The Activate command operates only on the selected logical device.
Card Level Reserved	0x08 - 0x1F	Reserved - Writes are ignored, reads return 0.
<b>Chip Level, SMSC Defined</b>		
Device ID - Hard wired  Default = 0x60 on VCC POR, VTR POR, SOFT RESET and PCI RESET	0x20 R	A read only register which provides device identification. Bits[7:0] = 0x60 when read.
Device Rev  Hard wired = Current Revision	0x21 R	A read only register which provides device revision information. Bits[7:0] = current revision when read.
PowerControl  Default = 0x00 on VCC POR, VTR POR, SOFT RESET and PCI RESET	0x22 R/W	Bit[0] FDC Power Bit[1] Reserved Bit[2] Game Port Power Bit[3] Parallel Port Power Bit[4] Serial Port 1 Power Bit[5] Serial Port 2 Power Bit[6] MPU-401 Power Bit[7] Reserved  0: Power Off or Disabled 1: Power On or Enabled

REGISTER	ADDRESS	DESCRIPTION
Power Mgmt  Default = 0x00 on VCC POR, VTR POR and PCI RESET	0x23 R/W	Bit[0] FDC (See Note in the “FDC Power Management” section) Bit[1] Reserved Bit[2] Reserved Bit[3] Parallel Port Bit[4] Serial Port 1 Bit[5] Serial Port 2 Bit[6] MPU-401 Bit[7] Reserved (read as 0)  For each bit above (except Reserved) = 0 Intelligent Pwr Mgmt off = 1 Intelligent Pwr Mgmt on
OSC  Default = 0x44, on on VCC POR, VTR POR and PCI RESET	0x24 R/W	Bit[0] Reserved Bit [1] PLL Control = 0 PLL is on (backward Compatible) = 1 PLL is off Bits[3:2] OSC = 01Osc is on, BRG clock is on. = 10Same as above (01) case. = 00Osc is on, BRG Clock Enabled. = 11Osc is off, BRG clock is disabled.  Bit [5:4] Reserved, set to zero Bit [6] 16-Bit Address Qualification = 0 12-Bit Address Qualification = 1 16-Bit Address Qualification <i>Note:</i> For normal operation, bit 6 should be set. Bit[7] Reserved
Chip Level Vendor Defined	0x25	Reserved - Writes are ignored, reads return 0.
Configuration Address Byte 0  Default =0x2E (Sysopt=0) =0x4E (Sysopt=1) on VCC POR and PCI RESET	0x26	Bit[7:1] Configuration Address Bits [7:1] Bit[0] = 0 See Note 1
Configuration Address Byte 1  Default = 0x00 on VCC POR and PCI RESET	0x27	Bit[7:0] Configuration Address Bits [15:8] See Note 1
Default = 0x00 on VCC POR, SOFT RESET and PCI RESET	0x28	Bits[7:0] Reserved - Writes are ignored, reads return 0.
Chip Level Vendor Defined	0x29	Reserved - Writes are ignored, reads return 0.

REGISTER	ADDRESS	DESCRIPTION
TEST 6  Default = 0x00, on VCC POR and VTR POR	0x2A R/W	Test Modes: Reserved for SMSC. Users should not write to this register, may produce undesired results.
TEST 4  Default = 0x00, on VCC POR and VTR POR	0x2B R/W	Test Modes: Reserved for SMSC. Users should not write to this register, may produce undesired results.
TEST 5  Default = 0x00, on VCC POR and VTR POR	0x2C R/W	Bit[7] Test Mode: Reserved for SMSC. Users should not write to this bit, may produce undesired results. Bit[6] 8042 Reset: 1 = put the 8042 into reset 0 = take the 8042 out of reset Bits[5:0] Test Mode: Reserved for SMSC. Users should not write to this bit, may produce undesired results.
TEST 1  Default = 0x00, on VCC POR and VTR POR	0x2D R/W	Test Modes: Reserved for SMSC. Users should not write to this register, may produce undesired results.
TEST 2  Default = 0x00, on VCC POR and VTR POR	0x2E R/W	Test Modes: Reserved for SMSC. Users should not write to this register, may produce undesired results.
TEST 3  Default = 0x00, on VCC POR and VTR POR	0x2F R/W	Test Modes: Reserved for SMSC. Users should not write to this register, may produce undesired results.

**Note 1:** To allow the selection of the configuration address to a user defined location, these Configuration Address Bytes are used. There is no restriction on the address chosen, except that A0 is 0, that is, the address must be on an even byte boundary. As soon as both bytes are changed, the configuration space is moved to the specified location with no delay (Write byte 0, then byte 1; writing CR27 changes the base address).

The configuration address is only reset to its default address upon a PCI Reset or Vcc POR.

**Note:** The default configuration address is either 02Eh or 04Eh, as specified by the SYSOPT pin.

## 9.4 Logical Device Configuration/Control Registers [0x30-0xFF]

Used to access the registers that are assigned to each logical unit. This chip supports eight logical units and has eight sets of logical device registers. The eight logical devices are Floppy, Parallel, Serial 1, Serial 2, Keyboard Controller, game port, Runtime Registers and MPU-401. A separate set (bank) of control and configuration registers exists for each logical device and is selected with the Logical Device # Register (0x07).

The INDEX PORT is used to select a specific logical device register. These registers are then accessed through the DATA PORT.

The Logical Device registers are accessible only when the device is in the Configuration State. The logical register addresses are shown in the table below.

**Table 66 - Logical Device Registers**

LOGICAL DEVICE REGISTER	ADDRESS	DESCRIPTION
Activate (Note 1)  Default = 0x00 on VCC POR, VTR POR, PCI RESET and SOFT RESET	(0x30)	Bits[7:1] Reserved, set to zero. Bit[0] = 1 Activates the logical device currently selected through the Logical Device # register. = 0 Logical device currently selected is inactive
Logical Device Control	(0x31-0x37)	Reserved – Writes are ignored, reads return 0.
Logical Device Control	(0x38-0x3F)	Vendor Defined - Reserved - Writes are ignored, reads return 0.
Memory Base Address	(0x40-0x5F)	Reserved – Writes are ignored, reads return 0.
I/O Base Address (Note 2)  (see Device Base I/O Address Table)  Default = 0x00 on VCC POR, VTR POR, PCI RESET and SOFT RESET	(0x60-0x6F)  0x60,2,... = addr[15:8]  0x61,3,... = addr[7:0]	Registers 0x60 and 0x61 set the base address for the device. If more than one base address is required, the second base address is set by registers 0x62 and 0x63. Refer to Table 67 for the number of base address registers used by each device. Unused registers will ignore writes and return zero when read.
Interrupt Select  Defaults : 0x70 = 0x00 or 0x06 (Note 3) on VCC POR, VTR POR, PCI RESET and SOFT RESET  0x72 = 0x00, on VCC POR, VTR POR, PCI RESET and SOFT RESET	(0x70,0x72)	0x70 is implemented for each logical device. Refer to Interrupt Configuration Register description. Only the keyboard controller uses Interrupt Select register 0x72. Unused register (0x72) will ignore writes and return zero when read. Interrupts default to edge high (ISA compatible).
	(0x71,0x73)	Reserved - not implemented. These register locations ignore writes and return zero when read.

LOGICAL DEVICE REGISTER	ADDRESS	DESCRIPTION
DMA Channel Select  Default = 0x02 or 0x04 (Note 4) on VCC POR, VTR POR, PCI RESET and SOFT RESET	(0x74,0x75)	Only 0x74 is implemented for FDC and Parallel port. 0x75 is not implemented and ignores writes and returns zero when read. Refer to DMA Channel Configuration.
32-Bit Memory Space Configuration	(0x76-0xA8)	Reserved - not implemented. These register locations ignore writes and return zero when read.
Logical Device	(0xA9-0xDF)	Reserved - not implemented. These register locations ignore writes and return zero when read.
Logical Device Configuration	(0xE0-0xFE)	Reserved – Vendor Defined (see SMSC defined Logical Device Configuration Registers).
Reserved	0xFF	Reserved

**Note 1:** A logical device will be active and powered up according to the following equation unless otherwise specified:

DEVICE ON (ACTIVE) = (Activate Bit SET or Pwr/Control Bit SET).

The Logical device's Activate Bit and its Pwr/Control Bit are linked such that setting or clearing one sets or clears the other.

**Note 2:** If the I/O Base Addr of the logical device is not within the Base I/O range as shown in the Logical Device I/O map, then read or write is not valid and is ignored.

**Note 3:** The default value of the Primary Interrupt Select register for logical device 0 is 0x06.

**Note 4:** The default value of the DMA Channel Select register for logical device 0 (FDD) is 0x02 and for logical device 3 and 5 is 0x04.

**Table 67 – I/O Base Address Configuration Register Description**

LOGICAL DEVICE NUMBER	LOGICAL DEVICE	REGISTER INDEX	BASE I/O RANGE (Note 1)	FIXED BASE OFFSETS
0x00	FDC	0x60,0x61	[0x0100:0x0FF8]  ON 8 BYTE BOUNDARIES	+0 : SRA +1 : SRB +2 : DOR +3 : TDR +4 : MSR/DSR +5 : FIFO +7 : DIR/CCR
0x01	Reserved	n/a	n/a	n/a
0x02	Reserved	n/a	n/a	n/a
0x03	Parallel Port	0x60,0x61	[0x0100:0x0FFC] ON 4 BYTE BOUNDARIES (EPP Not supported) or [0x0100:0x0FF8] ON 8 BYTE BOUNDARIES	+0 : Data/ecpAfifo +1 : Status +2 : Control +400h : cfifo/ecpDfifo/tfifo/cnfgA +401h : cnfgB +402h : ecr
			(all modes supported, EPP is only available when the base address is on an 8-byte boundary)	+3 : EPP Address +4 : EPP Data 0 +5 : EPP Data 1 +6 : EPP Data 2 +7 : EPP Data 3
0x04	Serial Port 1	0x60,0x61	[0x0100:0x0FF8]  ON 8 BYTE BOUNDARIES	+0 : RB/TB/LSB div +1 : IER/MSB div +2 : IIR/FCR +3 : LCR +4 : MSR +5 : LSR +6 : MSR +7 : SCR
0x05	Serial Port 2	0x60,0x61	[0x0100:0x0FF8]  ON 8 BYTE BOUNDARIES	+0 : RB/TB/LSB div +1 : IER/MSB div +2 : IIR/FCR +3 : LCR +4 : MSR +5 : LSR +6 : MSR +7 : SCR
0x06	Reserved	n/a	n/a	n/a
0x07	KYBD	n/a	Not Relocatable Fixed Base Address: 60,64	+0 : Data Register +4 : Command/Status Reg.
0x08	Reserved	n/a	n/a	n/a
0x09	Game Port	0x60,0x61	[0x0100:0x0FFF] on 1 byte boundaries	+00: Game Port Register

**Table 67 – I/O Base Address Configuration Register Description**

LOGICAL DEVICE NUMBER	LOGICAL DEVICE	REGISTER INDEX	BASE I/O RANGE (Note 1)	FIXED BASE OFFSETS
0x0A	Runtime Register Block	0x60,0x61	[0x0000:0x0F7F] on 128-byte boundaries	+00 : PME Status . . . +5F : Keyboard Scan Code (See Table in “Runtime Registers” section for Full List)
0x0B	MPU-401	0x60,0x61	[0x0100:0x0FFE] on 2-byte boundaries	+0: MIDI DATA +1: STATUS/COMMAND
Config. Port	Config. Port	0x26, 0x27 (Note 2)	0x0100:0x0FFE On 2 byte boundaries	See Configuration Register in Table 64. Accessed through the index and DATA ports located at the Configuration Port address and the Configuration Port address +1 respectively.

**Note 1:** This chip uses address bits [A11:A0] to decode the base address of each of its logical devices. Bit 6 of the OSC Global Configuration Register (CR24) must be set to ‘1’ and Address Bits [A15:A12] must be ‘0’ for 16 bit address qualification.

**Note 2:** The Configuration Port is at either 0x02E or 0x04E (for SYSOPT=0 or SYSOPT=1) at power up and can be relocated via the global configuration registers at 0x26 and 0x27.

**Table 68 - Interrupt Select Configuration Register Description**

NAME	REG INDEX	DEFINITION
Primary Interrupt Select  Default=0x00 or 0x06 (Note 1) on VCC POR, VTR POR, PCI RESET and SOFT RESET	0x70 (R/W)	Bits[3:0] selects which interrupt is used for the primary Interrupt. 0x00= no interrupt selected 0x01= IRQ1 0x02= IRQ2/nSMI 0x03= IRQ3 0x04= IRQ4 0x05= IRQ5 0x06= IRQ6 0x07= IRQ7 0x08= IRQ8 0x09= IRQ9 0x0A= IRQ10 0x0B= IRQ11 0x0C= IRQ12 0x0D= IRQ13 0x0E= IRQ14 0x0F= IRQ15  <b>Notes:</b> All interrupts are edge high (except ECP/EPP) nSMI is active low

**Notes:** An Interrupt is activated by setting the Interrupt Request Level Select 0 register to a non-zero value AND:

- For the FDC logical device by setting DMAEN, bit D3 of the Digital Output Register.
- For the PP logical device by setting IRQE, bit D4 of the Control Port and in addition
- For the PP logical device in ECP mode by clearing serviceIntr, bit D2 of the ecr.
- For the Serial Port logical device by setting any combination of bits D0-D3 in the IER and by setting the OUT2 bit in the UART’s Modem Control (MCR) Register.
- For the KYBD logical device (refer to the KYBD controller section of this spec).
- For MPU-401 logical device (refer to the MPU-401 section of this spec).
- IRQs are disabled if not used/selected by any Logical Device. Refer to Note A.
- nSMI must be disabled to use IRQ2.
- All IRQ’s are available in Serial IRQ mode.

**Note 1:** The default value of the Primary Interrupt Select register for logical device 0 is 0x06.



**Table 69 – DMA Channel Select Configuration Register Description**

NAME	REG INDEX	DEFINITION
DMA Channel Select  Default=0x02 or 0x04 (Note 1) on VCC POR, VTR POR, PCI RESET and SOFT RESET	0x74 (R/W)	Bits[2:0] select the DMA Channel. 0x00= Reserved 0x01= DMA1 0x02= DMA2 0x03= DMA3 0x04-0x07= No DMA active

**Notes:**

- A DMA channel is activated by setting the DMA Channel Select register to [0x01-0x03] AND :
- For the FDC logical device by setting DMAEN, bit D3 of the Digital Output Register.
- For the PP logical device in ECP mode by setting dmaEn, bit D3 of the ecr.
- The DMA channel must be disabled if not used/selected by any Logical Device. Refer to Note A.

**Note 1:** The default value of the DMA Channel Select register for logical device 0 (FDD) is 0x02 and for logical device 3 is 0x04.

**Note A: Logical Device IRQ and DMA Operation**

1. IRQ and DMA Enable and Disable: Any time the IRQ or DMA channel for a logical block is disabled by a register bit in that logical block, the IRQ and/or DMA channel must be disabled. This is in addition to the IRQ and DMA channel disabled by the Configuration Registers (active bit or address not valid).

- a) FDC: For the following cases, the IRQ and DMA channel used by the FDC are disabled. Digital Output Register (Base+2) bit D3 (DMAEN) set to “0”. The FDC is in power down (disabled).
- b) Serial Ports:  
Modem Control Register (MCR) Bit D2 (OUT2) - When OUT2 is a logic “0”, the serial port interrupt is disabled.
- c) Parallel Port:
  - i. SPP and EPP modes: Control Port (Base+2) bit D4 (IRQE) set to “0”, IRQ is disabled.
  - ii. ECP Mode:
    - (1) (DMA) dmaEn from ecr register. See table.
    - (2) IRQ - See table.

MODE (FROM ECR REGISTER)		IRQ CONTROLLED BY	DMA CONTROLLED BY
000	PRINTER	IRQE	dmaEn
001	SPP	IRQE	dmaEn
010	FIFO	(on)	dmaEn
011	ECP	(on)	dmaEn
100	EPP	IRQE	dmaEn
101	RES	IRQE	dmaEn
110	TEST	(on)	dmaEn
111	CONFIG	IRQE	dmaEn

- d) Keyboard Controller: Refer to the KBD section of this spec.
- e) MPU-401: Refer to the MPU-401 section of this spec.

## 9.5 SMSC Defined Logical Device Configuration Registers

The SMSC Specific Logical Device Configuration Registers reset to their default values only on PCI resets generated by Vcc or VTR POR (as shown) or the PCI\_RESET# signal. These registers are not affected by soft resets.

**Table 70 - Floppy Disk Controller, Logical Device 0 [Logical Device Number = 0x00]**

NAME	REG INDEX	DEFINITION
FDD Mode Register  Default = 0x0E on VCC POR, VTR POR and PCI RESET	0xF0 R/W	<p>Bit[0] Floppy Mode = 0 Normal Floppy Mode (default) = 1 Enhanced Floppy Mode 2 (OS2)</p> <p>Bit[1] FDC DMA Mode = 0 Burst Mode is enabled = 1 Non-Burst Mode (default)</p> <p>Bit[3:2] Interface Mode = 11 AT Mode (default) = 10 (Reserved) = 01 PS/2 = 00 Model 30</p> <p>Bit[4] FDC_SWAP 0 = Do Not Swap (default) 1 = Swap Drive 0 (nDS, nMTR pins) with Drive 1 (nDS, nMTR pins)</p> <p>Bit[5] Reserved, set to zero</p> <p>Bit[6] FDC Output Type Control = 0 FDC outputs are OD12 open drain (default) = 1 FDC outputs are O12 push-pull</p> <p>Bit[7] FDC Output Control = 0 FDC outputs active (default) = 1 FDC outputs tri-stated</p>
FDD Option Register  Default = 0x00 on VCC POR, VTR POR and PCI RESET	0xF1 R/W	<p>Bit[0] Forced Write Protect = 0 Inactive (default) = 1 FDD nWRTPRT input is forced active when either of the drives has been selected.</p> <p>nWRTPRT (to the FDC Core) = WP (FDC SRA register, bit 1) = (nDS0 AND Forced Write Protect) OR (nDS1 AND Forced Write Protect) OR nWRTPRT (from the FDD Interface) OR Floppy Write Protect</p> <p><b>Note:</b> The Floppy Write Protect bit is in the Device Disable register.</p> <p><b>Note:</b> Boot floppy is always drive 0.</p> <p>Bit[1] Reserved</p> <p>Bits[3:2] Density Select = 00 Normal (default) = 01 Normal (reserved for users) = 10 1 (forced to logic "1") = 11 0 (forced to logic "0")</p> <p>Bit[7:4] Reserved.</p>

NAME	REG INDEX	DEFINITION
FDD Type Register  Default = 0xFF on VCC POR, VTR POR and PCI RESET	0xF2 R/W	Bits[1:0] Floppy Drive A Type Bits[3:2] Floppy Drive B Type Bits[5:4] Reserved (could be used to store Floppy Drive C type) Bits[7:6] Reserved (could be used to store Floppy Drive D type) <b>Note:</b> The LPC47M192 supports two floppy drives
	0xF3 R	Reserved, Read as 0 (read only)
FDD0  Default = 0x00 on VCC POR, VTR POR and PCI RESET	0xF4 R/W	Bits[1:0] Drive Type Select: DT1, DT0 Bits[2] Read as 0 (read only) Bits[4:3] Data Rate Table Select: DRT1, DRT0 Bits[5] Read as 0 (read only) Bits[6] Precompensation Disable PTS =0 Use Precompensation =1 No Precompensation Bits[7] Read as 0 (read only)
FDD1	0xF5 R/W	Refer to definition and default for 0xF4

**Table 71 - Parallel Port, Logical Device 3 [Logical Device Number = 0x03]**

NAME	REG INDEX	DEFINITION
PP Mode Register  Default = 0x3C on VCC POR, VTR POR and PCI RESET	0xF0 R/W	Bits[2:0] Parallel Port Mode = 100 Printer Mode (default) = 000 Standard and Bi-directional (SPP) Mode = 001 EPP-1.9 and SPP Mode = 101 EPP-1.7 and SPP Mode = 010 ECP Mode = 011 ECP and EPP-1.9 Mode = 111 ECP and EPP-1.7 Mode  Bit[6:3] ECP FIFO Threshold 0111b (default)  Bit[7] PP Interrupt Type <b>Not valid when the parallel port is in the Printer Mode (100) or the Standard &amp; Bi-directional Mode (000).</b> = 1 Pulsed Low, released to high-Z. = 0 IRQ follows nACK when parallel port in EPP Mode or [Printer,SPP, EPP] under ECP.  IRQ level type when the parallel port is in ECP, TEST, or Centronics FIFO Mode.
PP Mode Register 2  Default = 0x00 on VCC POR, VTR POR and PCI RESET	0xF1 R/W	Bits[3:0] Reserved. Set to zero Bit [4] TIMEOUT_SELECT = 0 TMOUT (EPP Status Reg.) cleared on write of '1' to TMOUT. = 1 TMOUT cleared on trailing edge of read of EPP Status Reg. Bits[7:5] Reserved. Set to zero.

**Table 72 - Serial Port 1, Logical Device 4 [Logical Device Number = 0x04]**

NAME	REG INDEX	DEFINITION
Serial Port 1 Mode Register  Default = 0x00 on VCC POR, VTR POR and PCI RESET	0xF0 R/W	Bit[0] MIDI Mode = 0 MIDI support disabled (default) = 1 MIDI support enabled  Bit[1] High Speed = 0 High Speed Disabled(default) = 1 High Speed Enabled  Bit[6:2] Reserved, set to zero  Bit[7]: Share IRQ =0 UARTS use different IRQs =1 UARTS share a common IRQ See Note 1 below.

**Note 1:** To properly share and IRQ,

1. Configure UART1 (or UART2) to use the desired IRQ.
2. Configure UART2 (or UART1) to use No IRQ selected.
3. Set the share IRQ bit.

**Note:** If both UARTs are configured to use different IRQs and the share IRQ bit is set, then both of the UART IRQs will assert when either UART generates an interrupt.

## UART Interrupt Operation Table

**Table 73 - Serial Port 2, Logical Device 5 [Logical Device Number = 0x05]**

NAME	REG INDEX	DEFINITION
Serial Port 2 Mode Register  Default = 0x00 on VCC POR, VTR POR and PCI RESET  Bit[5] reset on VTR POR only	0xF0 R/W	Bit[0] MIDI Mode = 0 MIDI support disabled (default) = 1 MIDI support enabled Bit[1] High Speed = 0 High Speed disabled(default) = 1 High Speed enabled Bit[4:2] Reserved, set to zero Bit[5] TXD2_MODE (Note 1) =0 The inactive state of the TXD2 pin is low. =1 The inactive state of the TXD2 pin is tristate. Bits[7:6] Reserved. Set to zero.
IR Option Register  Default = 0x02 on VCC POR, VTR POR and PCI RESET	0xF1 R/W	Bit[0] Receive Polarity = 0 Active High (Default) = 1 Active Low Bit[1] Transmit Polarity = 0 Active High = 1 Active Low (Default) Bit[2] Duplex Select = 0 Full Duplex (Default) = 1 Half Duplex Bits[5:3] IR Mode = 000 Standard COM Functionality (Default) = 001 IrDA = 010 ASK-IR = 011 Reserved = 1xx Reserved Bit[6] IR Location Mux = 0 Use Serial port TXD2 and RXD2 (Default) = 1 Use alternate IRRX2 (pin 61) and IRTX2 (pin 62). Bit[7] Reserved, write 0.
IR Half Duplex Timeout  Default = 0x03 on VCC POR, VTR POR and PCI RESET	0xF2	Bits [7:0] These bits set the half duplex time-out for the IR port. This value is 0 to 10msec in 100usec increments. 0= blank during transmit/receive 1= blank during transmit/receive + 100usec

**Note 1:** The TXD2\_MODE bit is a VTR powered bit that is reset on VTR POR only.

**Table 74 - KYBD, Logical Device 7 [Logical Device Number = 0x07]**

NAME	REG INDEX	DEFINITION
KRST_GA20  Default = 0x00 on VCC POR, VTR POR and PCI RESET	0xF0 R/W	KRESET and GateA20 Select Bit[7] Polarity Select for P12 = 0 P12 active low (default) = 1 P12 active high Bit[6] M_ISO. Enables/disables isolation of mouse signals into 8042. Does not affect MDAT signal to mouse wakeup (PME) logic.

NAME	REG INDEX	DEFINITION
Bits[6:5] reset on VTR POR only		<p>1=block mouse clock and data signals into 8042  0= do not block mouse clock and data signals into 8042</p> <p>Bit[5] K_ISO. Enables/disables isolation of keyboard signals into 8042. Does not affect KDAT signal to keyboard wakeup (PME) logic.  1=block keyboard clock and data signals into 8042  0= do not block keyboard clock and data signals into 8042</p> <p>Bit[4] MLATCH  = 0 MINT is the 8042 MINT ANDed with Latched MINT (default)  = 1 MINT is the latched 8042 MINT</p> <p>Bit[3] KLATCH  = 0 KINT is the 8042 KINT ANDed with Latched KINT (default)  = 1 KINT is the latched 8042 KINT</p> <p>Bit[2] Port 92 Select  = 0 Port 92 Disabled  = 1 Port 92 Enabled</p> <p>Bit[1] Reserved  Bit[0] Reserved</p>

**Table 75 - PME, Logical Device A [Logical Device Number = 0x0A]**

NAME	REG INDEX	DEFINITION
CLOCKI32  Default = 0x00 on VTR POR	0xF0 (R/W)	Bit[0] (CLK32_PRSN) 0=32kHz clock is connected to the CLKI32 pin (default) 1=32kHz clock is not connected to the CLKI32 pin (pin is grounded)  Bit[1] SPEKEY_EN. This bit is used to turn the logic for the “wake on specific key” feature on and off. It will disable the 32kHz clock input to the logic when turned off. The logic will draw no power when disabled. <ul style="list-style-type: none"> <li>▪ 0= “Wake on specific key” logic is on (default)</li> <li>1= “Wake on specific key” logic is off</li> </ul> Bits[7:2] are reserved

**Note:** The registers located in Logical Device A are runtime registers.

**Table 76 - MPU-401 [Logical Device Number = 0x0B]**

NAME	REG INDEX	DEFINITION
MPU-401 Primary Base I/O Address High Byte  Default = 0x03 on PCI RESET, SOFT RESET, VCC POR and VTR POR	0x60 R/W	Bit[0] A8 Bit[1] A9 Bit[2] A10 Bit[3] A11 Bit[4] “0” Bit[5] “0” Bit[6] “0” Bit[7] “0”
MPU-401 Primary Base I/O Address Low Byte  Default = 0x30 on PCI RESET, SOFT RESET, VCC POR and VTR POR	0x61 R/W	Bit[0] “0” Bit[1] A1 Bit[2] A2 Bit[3] A3 Bit[4] A4 Bit[5] A5 Bit[6] A6 Bit[7] A7 <b>Note:</b> Bit[0] must be “0”.

## 10 REGISTERS FOR HARDWARE MONITORING BLOCK

The registers in the Hardware Monitor Block may be accessed by writing the correct address to the 8-bit Internal Address Register.

### 10.1 Register Summary

REGISTER OFFSET (hex)	TYPE	DEFAULT	REGISTER
-	W	-	Internal Address Register
15-3D	R/W	-	Value or Limit Registers
3E	R	0x55	Company ID
3F	R	0x20	Stepping Number and Version
40	R/W	0x08	Configuration Register
41	R	0x00	Interrupt Status Register 1
42	R	0x00	Interrupt Status Register 2
47	R/W	Note 1	VID Register
49	R	Note 2	VID 4 Register
4A	R/W	0x00	Test Mode Register
4B	R	0x00	Error Debug Register
4C	R/W	0x00	Test Digital Value Register
4F	R/W	0x00	Special Function Register
50-59	R/W	-	Value or Limit Registers

**Note 1:** The default value on Bits[7:4]=0000 and Bits[3:0]=VID3 – VID0

**Note 2:** The default on Bits[7:1]=1000000 and Bit[0]=VID4

### 10.2 Internal Address Register

NAME	TYPE	DESCRIPTION
Internal Address Register	W	This register is used to access the registers (see the following sub-sections). It stores the address of the register being accessed.

### 10.3 Value or Limit Registers (15h-3Dh)

REGISTER OFFSET (hex)	TYPE	DESCRIPTION	DEFAULT
15	Read / Write	Manufacturers Test Register (Not Implemented)	NA
1E	Read/Write	Offset Register 2	00h Note 1
1F	Read/Write	Offset Register 1	00h Note 2
20	Read Only	+2.5V Reading	NA
21	Read Only	Vccp Reading	NA
22	Read Only	+3.3V Reading	NA
23	Read Only	+5V Reading	NA
24	Read Only	+12V Reading	NA
25	Read Only	HVCC Reading	NA
26	Read Only	Remote Diode Temperature Reading 1	NA
27	Read Only	Ambient Temperature Reading	NA
2B	Read / Write	+2.5V High Limit	Note 3
2C	Read / Write	+2.5V Low Limit	Note 3



REGISTER OFFSET (hex)	TYPE	DESCRIPTION	DEFAULT
2D	Read / Write	+Vccp High Limit	Note 3
2E	Read / Write	+Vccp Low Limit	Note 3
2F	Read / Write	+3.3V High Limit	Note 3
30	Read / Write	+3.3V Low Limit	Note 3
31	Read / Write	+5V High Limit	Note 3
32	Read / Write	+5V Low Limit	Note 3
33	Read / Write	+12V High Limit	Note 3
34	Read / Write	+12V Low Limit	Note 3
35	Read / Write	HVCC High Limit	Note 3
36	Read / Write	HVCC Sense Low Limit	Note 3
37	Read / Write	Remote Temperature High Limit 1	Note 3
38	Read / Write	Remote Temperature Low Limit 1	Note 3
39	Read / Write	Ambient Temperature High Limit	Note 3
3A	Read / Write	Ambient Temperature Low Limit	Note 3
3E-4F	Read/Write	See the "Registers 3E-4F" subsection below	-
50	Read Only	+1.5V Reading	NA
51	Read Only	+1.8V Reading	NA
52	Read Only	Remote Diode Temperature Reading 2	NA
53	Read Only	Reserved	0x00
54	Read / Write	+1.5V High Limit	Note 3
55	Read / Write	+1.5V Low Limit	Note 3
56	Read / Write	+1.8V High Limit	Note 3
57	Read / Write	+1.8V Low Limit	Note 3
58	Read / Write	Remote Temperature High Limit 2	Note 3
59	Read / Write	Remote Temperature Low Limit 2	Note 3

**Note 1:** This offset register only applies to the remote diode temperature reading 2. This register contains a 2's complement value which is added (or subtracted if the number is negative) to external temperature reading 2. The default value in the offset register is zero, so initially zero is always added to the temperature reading.

**Note 2:** This offset register only applies to the remote diode temperature reading 1. This register contains a 2's complement value which is added (or subtracted if the number is negative) to either the internal or external temperature reading. The default value in the offset register is zero, so initially zero is always added to the temperature reading. The offset register is configured for the external temperature channel by default. It may be switched to the internal channel by setting bit 4 of the Special Function Register to 1.

**Note 3:** The default values of the High and Low limit registers should be written after power on reset.

### 10.3.1.1 Registers 3Eh-4Fh

NAME/DEFAULT	REGISTER OFFSET (hex)	DESCRIPTION
Company ID  Default=0x55 on HVCC POR and Initialization	3E  (R)	Bits[7:0] This location contains the identification number which will be used by software to determine analog voltage curves.
Stepping Number and Version  Default=0x20 on HVCC POR and Initialization	3F  (R)	Bits[7:0] This location contains the stepping number of the part in the lower four bits of the register [3:0]. The upper four bits reflect the Version Number [7:4]. The Hardware Monitor Block has a version number (Bits[7:4]) of 0010. For the A0 stepping of Hardware Monitor Block, this register will read 0010 0000.
Configuration  Default = 0x08 on HVCC POR and Initialization	40  (R/WC)  Bit[4] is self-clearing	<p>Bit[0] Start Logic 1 enables startup of monitor block, logic 0 places the block in the low power mode selected by bit 0 of the Special Function register at 4Fh. At startup, limit checking functions and scanning begins. Note, all HIGH and LOW LIMITS should be set into the ASIC prior to turning on this bit.</p> <p>Bits[3:1] Reserved</p> <p>Bit[4] Reset Setting this bit generates a minimum 20 ms low pulse on the Reset pin, if the function is enabled. (See VID Register). This bit is self-clearing.</p> <p>Bit[5] +12/VID4 Select Selects whether pin 10 acts as a 12 Volt Analog Input monitoring pin, or as a VID[4] input. This pin defaults to the 12 Volt Analog Input.</p> <p>Bit[6] Reserved</p> <p>Bit[7] Initialization Logic 1 restores powerup default values to the Configuration Register and Interrupt status registers. This bit automatically clears itself since the power on default is zero.</p>

NAME/DEFAULT	REGISTER OFFSET (hex)	DESCRIPTION
<p>Interrupt Status Register 1</p> <p>Default = 0x00 on HVCC POR and Initialization</p>	<p>41</p> <p>(R)</p>	<p>Bit[0] +2.5v_Error A one indicates a High or Low limit has been reached or exceeded.</p> <p>Bit[1] Vccp_Error A one indicates a High or Low limit has been reached or exceeded.</p> <p>Bit[2] +3.3v_Error A one indicates a High or Low limit has been reached or exceeded.</p> <p>Bit[3] +5v_Error A one indicates a High or Low limit has been reached or exceeded.</p> <p>Bit[4] Ambient Temp Error A one indicates that a High or a Low temperature limit has been reached or exceeded.</p> <p>Bit[5] Remote Temp Error 1 A one indicates that a High or a Low temperature limit on the Remote Temperature limit has been reached or exceeded on D0+ and D0- pins.</p> <p>Bit[6] Remote Temp Error 2 A one indicates that a High or a Low temperature limit on the Remote Temperature limit has been reached or exceeded on D1+ and D1- pins.</p> <p>Bit[7] Reserved</p>
<p>Interrupt Status Register 2</p> <p>Default = 0x00 on HVCC POR and Initialization</p>	<p>42</p> <p>(R)</p>	<p>Bit[0] +12v_Error A one indicates a High or Low limit has been reached or exceeded.</p> <p>Bit[1] HVCC_Error A one indicates a High or Low limit has been reached or exceeded.</p> <p>Bit[2] +1.5v Error A one indicates a High or Low limit has been reached or exceeded.</p> <p>Bit[3] +1.8v Error A one indicates a High or Low limit has been reached or exceeded.</p> <p>Bits[5:4] Reserved</p> <p>Bit[6] Remote Diode Fault 1 A one indicates either a short or open circuited fault on the remote thermal diode inputs (D0+ and D0-). The following faults are detected: open D0+, open D0-, short to VCC on D0+, short to VCC on D0-, short to ground on D0+, short to ground on D0-, D0+ and D0- shorted to each other.</p> <p>Bit[7] Remote Diode Fault 2 A one indicates either a short or open circuited fault on the remote thermal diode inputs (D1+ and D1-). The following faults are detected: open D1+, open D1-, short to VCC on D1+, short to VCC on D1-, short to ground on D+, short to ground on D1-, D1+ and D1- shorted to each other.</p>

NAME/DEFAULT	REGISTER OFFSET (hex)	DESCRIPTION
VID Register  Default: Bits[7:4]=0000 Bits[3:0]=VID3-VID0 on HVCC POR and Initialization	47  Bits[6:0] are Read Only; Bit[7] is (R/W)	Bits[3:0] VID[3:0] The VID[3:0] inputs from Pentium/PRO power supplies to indicate the operating voltage (e.g. 1.5V to 2.9V). Bits[6:4] Reserved Bit[7] RESET# Enable 0= Enables A0 pin for lowest order programmable bit of SMBus address (Default) 1= Enables the RESET# pin output function
VID4 Register  Default: Bits[7]=1, Bits[6:1]=0 Bit[0]=VID4 on HVCC POR and Initialization	49  (R)	Bit[0] VID 4 VID 4 Input (If selected). Bits[6:1] Reserved Bit[7] Reserved1
Test Mode Register  Default = 0x00 on HVCC POR and Initialization	4A  (R/W)	Bit[0] selects the ADC test mode. The default for this bit is zero, which deactivates ADC test mode. Bit[1] selects the digital test mode. The default for this bit is zero, which deactivates digital test mode. Bit[2] selects the external clock test mode. The default for this bit is zero, which deactivates external oscillator clock test mode. Bit[3] selects either 8 or 1 averaging for the ADC test mode. The default for this bit is zero, which sets the averaging to 8 for the ADC test mode. A one in this bit selects no averaging. Bit[4] selects the oscillator clock to be muxed out on the VID2 pin. The default for this bit is zero, which deactivates mux oscillator clock test mode. Bits[7:5] are used by the analog block for test purposes. These three bits of register 4Ah are muxed out on pins dig_test_an_pad[2:0]. These bits are also used to mux out either the SDA line or the SCLK line to the VID3 pin. If bits[7:5] are '001', then the SDA line is muxed out onto the VID3 pin. If bits[7:5] are '010', then the SCLK line is muxed out onto the VID3 pin.
Error Debug Register  Default = 0x00 on HVCC POR and Initialization	4B  (R)	Bit[0] indicates that no NACK was generated by the host during either a read byte protocol or a receive byte protocol. Bit[1] indicates a read or a write was attempted to an invalid register location. Bit[2] indicates a write to a read only register was attempted Bit[3] indicates a receive byte protocol was attempted when the address pointer register pointed to the 00h location. This is the default register location on power on reset. As noted in the "Bus Protocols" section of the "Hardware Monitoring Interface" section, the Internal Address register should be set up with a valid address location by either a send byte protocol or a write byte protocol after power-on-reset, before the receive byte protocol. Bit[4] indicates an invalid slave address was detected. Bit[5] indicates a premature stop was detected. Bit[6] indicates an error was detected during the SMBus Receive Byte Protocol Response to an ARA. Bit[7] is reserved.

NAME/DEFAULT	REGISTER OFFSET (hex)	DESCRIPTION
Test Digital Value Register  Default = 0x00 on HVCC POR and Initialization	4C  (R/W)	This register is used for the digital test mode test.
Special Function Register  Default = 0x00 on HVCC POR and Initialization	4F  (R/W)	<p>Bit[0] Low-Power Mode Select 0= Sleep Mode (default) 1= Shutdown Mode</p> <p>Bit[1] Monitoring Mode Select 0= Continuous Monitor Mode (default) 1= Cycle Monitor Mode</p> <p>Bit[2] THERM# Enable 0=A0/RESET function as selected by bit 7 of VID register (default) 1=Enables THERM# pin output function</p> <p>Bit[3] THERM# Voltage Enable 0=Out-of-limit/equal-limit voltages do not affect the state of the THERM# pin (default) 1=Enable out-of-limit/equal-limit voltages to make the THERM# pin active low</p> <p>Bit [4] Offset Register Configure 0= offset register configured to the external temperature channels. (Default) 1= offset register configured to the internal temperature channel.</p> <p>Bit[5] Number of measurements of each temperature and voltage reading made. 0= take 128 separate measurements of the data from the analog block for both remote diode temperature readings before averaging the result and storing it in the value register for remote diode temperature measurements; take 8 separate measurements of all other voltage and internal temperature readings before averaging. (Default) 1 =use 16 averaging for both remote diode temperature readings and no averaging for all other voltage and internal temperature values. Setting this bit to '1' would be used for power saving.</p> <p>Bits[7:6] Reserved</p>

**Note:** Reserved bits are Read-Only and return '0' when read. Reserved1 bits are Read-Only and return a '1' when read.

## 11 OPERATIONAL DESCRIPTION

### 11.1 Maximum Guaranteed Ratings

Operating Temperature Range ..... 0°C to +70°C  
 Storage Temperature Range ..... -55° to +150°C  
 Lead Temperature Range ..... Refer to JEDEC Spec. J-STD-020

**Note:** Stresses above those listed above and below could cause permanent damage to the device. This is a stress rating only and functional operation of the device at any other condition above those indicated in the operation sections of this specification is not implied. When powering this device from laboratory or system power supplies, it is important that the Absolute Maximum Ratings not be exceeded or device failure can result. Some power supplies exhibit voltage spikes on their outputs when the AC power is switched on or off. In addition, voltage transients on the AC power line may appear on the DC output. If this possibility exists, it is suggested that a clamp circuit be used.

#### 11.1.1 SUPER I/O SECTION (PINS 1 TO 100)

Maximum  $V_{cc}$  ..... +5.5V  
 Positive Voltage on any pin, with respect to Ground .....  $V_{cc}+0.3V$   
 Negative Voltage on any pin, with respect to Ground ..... -0.3V

#### 11.1.2 HARDWARE MONITORING BLOCK (PINS 101 TO 128)

Positive Supply Voltage (V+)	+5.5 V (max)
Voltage on Any Input or Output Pin	-0.3V to (HVcc+0.3V) (Except analog inputs)
Voltage on the Voltage Channels	-0.3V to (Channel Voltage + 10%)

### 11.2 Hardware Monitoring Block Specifications

#### 11.2.1 KEY SPECIFICATIONS

Supply Voltage	HVcc-10% < HVcc < HVcc+10%	
Voltage monitoring accuracy	±2% (max)	
Temperature Accuracy	See DC Characteristics	
ADC Resolution	8 Bits	

#### 11.2.2 SUPPLY CURRENT

Monitoring Mode	1.2 mA (typical)	2 mA (max)
Sleep Mode	200 µA (typical)	500 µA (max)
Shutdown Mode	1 µA (typical)	3 µA (max)

#### 11.2.3 OPERATING TEMPERATURE

Operating Temperature Range	0 °C ≤ T <sub>A</sub> ≤ +70 °C
-----------------------------	--------------------------------

#### 11.2.4 OPERATING VOLTAGE RATINGS

	3.3 Volt Supply
Supply Voltage (V+)	+3 V to +3.6 V
VIN Voltage Range (Digital pins)	-0.05 V to 3.6V

## 11.3 DC Electrical Characteristics

SUPER I/O BLOCK						
(T <sub>A</sub> = 0°C – 70°C, V <sub>cc</sub> = +3.3 V ± 10%)						
PARAMETER	SYMBOL	MIN	TYP	MAX	UNITS	COMMENTS
<b>I Type Input Buffer</b>						
Low Input Level	V <sub>ILI</sub>			0.8	V	TTL Levels
High Input Level	V <sub>IHI</sub>	2.0		5.5	V	
<b>IS Type Input Buffer</b>						
Low Input Level	V <sub>ILIS</sub>			0.8	V	Schmitt Trigger
High Input Level	V <sub>IHIS</sub>	2.2		5.5	V	Schmitt Trigger
Schmitt Trigger Hysteresis	V <sub>HYS</sub>		100		mV	
<b>O6 Type Buffer</b>						
Low Output Level	V <sub>OL</sub>			0.4	V	I <sub>OL</sub> = 6mA
High Output Level	V <sub>OH</sub>	2.4			V	I <sub>OH</sub> = -3mA
<b>O8 Type Buffer</b>						
Low Output Level	V <sub>OL</sub>			0.4	V	I <sub>OL</sub> = 8mA
High Output Level	V <sub>OH</sub>	2.4			V	I <sub>OH</sub> = -4mA
<b>OD8 Type Buffer</b>						
Low Output Level	V <sub>OL</sub>			0.4	V	I <sub>OL</sub> = 8mA
High Output Level	V <sub>OH</sub>			V <sub>cc</sub> +0.3	V	Open Drain; V <sub>cc</sub> =3.3V
<b>O12 Type Buffer</b>						
Low Output Level	V <sub>OL</sub>			0.4	V	I <sub>OL</sub> = 12mA
High Output Level	V <sub>OH</sub>	2.4			V	I <sub>OH</sub> = -6mA
<b>OD12 Type Buffer</b>						
Low Output Level	V <sub>OL</sub>			0.4	V	I <sub>OL</sub> = 12mA
High Output Level	V <sub>OH</sub>			V <sub>cc</sub> +0.3	V	Open Drain; V <sub>cc</sub> =3.3V
<b>OD14 Type Buffer</b>						
Low Output Level	V <sub>OL</sub>			0.4	V	I <sub>OL</sub> = 14mA
High Output Level	V <sub>OH</sub>			V <sub>cc</sub> +0.3	V	Open Drain; V <sub>cc</sub> =3.3V
<b>OP14 Type Buffer</b>						
Low Output Level	V <sub>OL</sub>			0.4	V	I <sub>OL</sub> = 14mA
High Output Level	V <sub>OH</sub>	2.4			V	I <sub>OH</sub> = -14mA

**SUPER I/O BLOCK**

( $T_A = 0^{\circ}\text{C} - 70^{\circ}\text{C}$ ,  $V_{CC} = +3.3\text{ V} \pm 10\%$ )

PARAMETER	SYMBOL	MIN	TYP	MAX	UNITS	COMMENTS
<b>IO8 Type Buffer</b>						
Low Input Level	$V_{ILI}$			0.8	V	TTL Levels
High Input Level	$V_{IHI}$	2.0		5.5	V	
Low Output Level	$V_{OL}$			0.4	V	$I_{OL} = 8\text{mA}$
High Output Level	$V_{OH}$	2.4			V	$I_{OH} = -4\text{mA}$
<b>IS/O8 Type Buffer</b>						
Low Input Level	$V_{ILI}$			0.8	V	Schmitt Trigger
High Input Level	$V_{IHI}$	2.2		5.5	V	Schmitt Trigger
Schmitt Trigger Hysteresis	$V_{HYS}$		100		mV	
Low Output Level	$V_{OL}$			0.4	V	$I_{OL} = 8\text{mA}$
High Output Level	$V_{OH}$	2.4			V	$I_{OH} = -4\text{mA}$
<b>IO12 Type Buffer</b>						
Low Input Level	$V_{ILI}$			0.8	V	TTL Levels
High Input Level	$V_{IHI}$	2.0		5.5	V	
Low Output Level	$V_{OL}$			0.4	V	$I_{OL} = 12\text{mA}$
High Output Level	$V_{OH}$	2.4			V	$I_{OH} = -6\text{mA}$
<b>IOP14 Type Buffer</b>						
Low Input Level	$V_{ILI}$			0.8	V	TTL Levels
High Input Level	$V_{IHI}$	2.0		5.5	V	
Low Output Level	$V_{OL}$			0.4	V	$I_{OL} = 14\text{mA}$
High Output Level	$V_{OH}$	2.4			V	$I_{OH} = -14\text{mA}$
<b>IOD16 Type Buffer</b>						
Low Input Level	$V_{ILI}$			0.8	V	TTL Levels
High Input Level	$V_{IHI}$	2.0		5.5	V	
Low Output Level	$V_{OL}$			0.4	V	$I_{OL} = 16\text{mA}$
High Output Level	$V_{OH}$			$V_{CC}+0.3$	V	Open Drain; $V_{CC}=3.3\text{V}$
<b>PCI Type Buffers</b> (PCI_ICLK, PCI_I, PCI_O, PCI_IO)	3.3V PCI 2.1 Compatible.					



**SUPER I/O BLOCK**

( $T_A = 0^{\circ}\text{C} - 70^{\circ}\text{C}$ ,  $V_{CC} = +3.3\text{ V} \pm 10\%$ )

PARAMETER	SYMBOL	MIN	TYP	MAX	UNITS	COMMENTS
<b>Leakage Current (ALL)</b>						(Note 1)
Input High Current	ILEAK <sub>IH</sub>			10	μA	$V_{IN} = V_{CC}$
Input Low Current	ILEAK <sub>IL</sub>			-10	μA	$V_{IN} = 0\text{V}$
<b>Backdrive Protect/ChiProtect</b> (All signal pins excluding LAD[3:0], LDRQ#, LPCPD#, LFRAME#)						
Input High Current	ILEAK <sub>IH</sub>			10	μA	$V_{CC} = 0\text{V}$ $V_{IN} = 5.5\text{V Max}$
Input Low Current	ILEAK <sub>IL</sub>			-10	μA	$V_{IN} = 0\text{V}$
<b>5V Tolerant Pins</b> (All signal pins excluding LAD[3:0], LDRQ#, LPCPD#, LFRAME#) Inputs and Outputs in High Impedance State						
Input High Current	ILEAK <sub>IH</sub>			10	μA	$V_{CC} = 0\text{V}$ $V_{IN} = 5.5\text{V Max}$
Input Low Current	ILEAK <sub>IL</sub>			-10	μA	$V_{IN} = 0\text{V}$
<b>LPC Bus Pins</b> (LAD[3:0], LDRQ#, LPCPD#, LFRAME#)						
Input High Current	ILEAK <sub>IH</sub>			10	μA	$V_{CC} = 0\text{V}$ and $V_{CC} = 3.3\text{V}$ $V_{IN} = 3.6\text{V Max}$
Input Low Current	ILEAK <sub>IL</sub>			-10	μA	$V_{IN} = 0\text{V}$
<b>V<sub>CC</sub> Supply Current Active</b>	I <sub>CC</sub>			15 (Note 2)	mA	All outputs open, all inputs transitioning from/to 0V to/from 3.3V.
<b>Trickle Supply Voltage</b>	V <sub>TR</sub>	V <sub>CC</sub> min -5V (Note 2)		V <sub>CC</sub> max	V	V <sub>CC</sub> must not be greater than .5V above V <sub>TR</sub>
<b>V<sub>TR</sub> Supply Current Active</b>	I <sub>TR</sub>	0.25 (Note 3)		5 (Note 3)	mA	All outputs, all inputs transitioning from/to 0V to/from 3.3V.
<b>Reference Voltage</b>	V <sub>REF</sub>			5.5	V	V <sub>REF</sub> can be either 3.3V (nominal) or 5V (nominal)
<b>V<sub>REF</sub> Supply Current Active</b>	I <sub>REF</sub>			1	mA	

HARDWARE MONITORING BLOCK						
(T <sub>A</sub> = 0°C – 70°C, HV <sub>CC</sub> = +3.3 ± 10%)						
PARAMETER	SYMBOL	MIN	TYP	MAX	UNITS	COMMENTS
<b>Temperature-to-Digital Converter Characteristics</b>						
Internal Temperature Accuracy		-3	±1	+3	°C	0°C ≤ T <sub>A</sub> ≤ 70°C
		-2		+2	°C	
External Diode Sensor Accuracy		-5 -3	±1	+5 +3	°C	-40°C ≤ T <sub>S</sub> ≤ 125°C
					°C	40°C ≤ T <sub>S</sub> ≤ 100°C
					°C	Resolution
Remote Source Current High Level			90	130	μA	
Remote Source Current Low Level			5.5	7.5	μA	
<b>Analog-to-Digital Converter Characteristics</b>						
Total Unadjusted Error	TUE			±2	%	Note 4
Differential Non-Linearity	DNL		±1		LSB	
Power Supply Sensitivity	PSS		±1		%/V	
Total Monitoring Cycle Time (Cycle Mode)	t <sub>C(Cycle)</sub>		1.0	1.4	sec	Note 5
Conversion Time (Continuous Mode) Option 1 Option 2	t <sub>C(Cts)</sub> t <sub>C(Cts)</sub>		542.336 67.792		msec	Note 6
					msec	
Input Resistance			140	200	kΩ	
ADC Resolution						8 bits
<b>I<sub>M</sub> Type Input Buffer (A0, VID0-VID4, XNOR_IN)</b>						
Low Input Level	V <sub>ILI</sub>			0.8	V	
High Input Level	V <sub>IHI</sub>	2.1		HV <sub>CC</sub> +0.3	V	
<b>I<sub>M</sub> Type Input Buffer (SCLK)</b>						
Low Input Level	V <sub>ILI</sub>			0.8	V	
High Input Level	V <sub>IHI</sub>	2.1		HV <sub>CC</sub> +0.3	V	
Hysteresis	V <sub>HYS</sub>		500		mV	

HARDWARE MONITORING BLOCK						
(T <sub>A</sub> = 0°C – 70°C, HV <sub>CC</sub> = +3.3 ± 10%)						
PARAMETER	SYMBOL	MIN	TYP	MAX	UNITS	COMMENTS
<b>Temperature-to-Digital Converter Characteristics</b>						
Internal Temperature Accuracy		-3 -2	±1	+3 +2	°C °C °C	0°C ≤ T <sub>A</sub> ≤ 70°C 40°C ≤ T <sub>A</sub> ≤ 70°C Resolution
External Diode Sensor Accuracy		-5 -3	±1	+5 +3	°C °C °C	-40°C ≤ T <sub>S</sub> ≤ 125°C 40°C ≤ T <sub>S</sub> ≤ 100°C Resolution
Remote Source Current High Level			90	130	μA	
Remote Source Current Low Level			5.5	7.5	μA	
<b>I<sub>M</sub>O3 Type Buffer (A0/RESET#/THERM#/XNOR_OUT)</b>						
Low Input Level	V <sub>ILI</sub>			0.8	V	
High Input Level	V <sub>IHI</sub>	2.1		HV <sub>CC</sub> +0.3	V	
Low Output Level	V <sub>OL</sub>			0.4	V	I <sub>OL</sub> = +3.0 mA
High Output Level	V <sub>OHI</sub>	2.4		HV <sub>CC</sub> +0.3	V	I <sub>OHI</sub> = -3.0 mA HV <sub>CC</sub> = 3.3 V
RESET# Pulse Width	t <sub>Reset_PW</sub>		20	45	msec	
<b>I<sub>M</sub>OD3 Type Buffer (SDA)</b>						
Low Input Level	V <sub>ILI</sub>			0.8	V	
High Input Level	V <sub>IHI</sub>	2.1		HV <sub>CC</sub> +0.3	V	
Hysteresis	V <sub>HYS</sub>		500		mV	
Low Output Level	V <sub>OL</sub>			0.4	V	I <sub>OL</sub> = +3.0 mA
High Output Level	V <sub>OHI</sub>			HV <sub>CC</sub> +0.3	V	Open Drain, HV <sub>CC</sub> = 3.3 V
<b>Leakage Current (ALL - Digital) (Note 1)</b>						
Input High Current	I <sub>LEAK_IH</sub>			10	μA	V <sub>IN</sub> = V <sub>CC</sub>
Input Low Current	I <sub>LEAK_IL</sub>			-10	μA	V <sub>IN</sub> = 0V
Digital Input Capacitance	C <sub>IN</sub>			10	pF	

HARDWARE MONITORING BLOCK						
(T <sub>A</sub> = 0°C – 70°C, HV <sub>CC</sub> = +3.3 ± 10%)						
PARAMETER	SYMBOL	MIN	TYP	MAX	UNITS	COMMENTS
<b>Temperature-to-Digital Converter Characteristics</b>						
Internal Temperature Accuracy		-3		+3	°C	0°C ≤ T <sub>A</sub> ≤ 70°C
		-2		+2	°C	40°C ≤ T <sub>A</sub> ≤ 70°C
			±1		°C	Resolution
External Diode Sensor Accuracy		-5		+5	°C	-40°C ≤ T <sub>S</sub> ≤ 125°C
		-3		+3	°C	40°C ≤ T <sub>S</sub> ≤ 100°C
			±1		°C	Resolution
Remote Source Current						
High Level			90	130	μA	
Low Level			5.5	7.5	μA	
<b>I<sub>ANG</sub> Type Buffer – Analog Inputs</b> (Dx+, Dx-, +2.5V_IN, +3.3V_IN, +5V_IN, +12V_IN)	Refer to “Appendix A – Thermal Diode Parameters” and “Appendix B – ADC Voltage Conversion”.					
<b>V<sub>CC</sub> Supply Current Active</b>	See “Supply Current” subsection in “Hardware Monitoring Block Specifications” section above.					

#### Notes:

- Voltages are measured from the local ground potential, unless otherwise specified.
- Typical values are at T<sub>A</sub>=25°C and represent most likely parametric norm.
- The maximum allowable power dissipation at any temperature is PD = (T<sub>Jmax</sub> - T<sub>A</sub>) / QJA.
- Timing specifications are tested at the TTL logic levels, V<sub>IL</sub>=0.4V for a falling edge and V<sub>IH</sub>=2.4V for a rising edge. TRI-STATE output voltage is forced to 1.4V.

**Note 1:** All leakage currents are measured with all pins in high impedance.

**Note 2:** The minimum value given for V<sub>TR</sub> applies when V<sub>CC</sub> is active. When V<sub>CC</sub> is 0V, the minimum V<sub>TR</sub> is 0V.

**Note 3:** Max I<sub>TRI</sub> with V<sub>CC</sub> = 3.3V (nominal) is 5mA

Max I<sub>TRI</sub> with V<sub>CC</sub> = 0V (nominal) is 250μA

**Note 4:** TUE (Total Unadjusted Error) includes Offset, Gain and Linearity errors of the ADC.

**Note 5:** Total Monitoring Cycle Time includes all temperature conversions, all analog input voltage conversions.

**Note 6:** The cycle time for option 1 is 542.336ms (typical) if 128 measurements are averaged for the remote diode temperature reading and 8 measurements are averaged for all voltage and the internal temperature reading. It is 67.792ms (typical) for option 2 if 16 measurements are averaged for the remote diode temperature reading and a single measurement is taken for all voltage and the internal temperature reading (i.e., no averaging).

**Note 7:** V<sub>OH</sub> min and I<sub>OH</sub> does not apply to the RESET# and THERM# open-drain functions.

### 11.3.1 CAPACITANCE VALUES FOR PINS

The input and output capacitance applies to both the Super I/O Block and the Hardware Monitoring Block digital pins.

CAPACITANCE T<sub>A</sub> = 25°C; f<sub>c</sub> = 1MHz; V<sub>CC</sub> = 3.3V ± 10%

PARAMETER	SYMBOL	LIMITS			UNIT	TEST CONDITION
		MIN	TYP	MAX		
Clock Input Capacitance	C <sub>IN</sub>			20	pF	All pins except pin under test tied to AC ground
Input Capacitance	C <sub>IN</sub>			10	pF	
Output Capacitance	C <sub>OUT</sub>			20	pF	

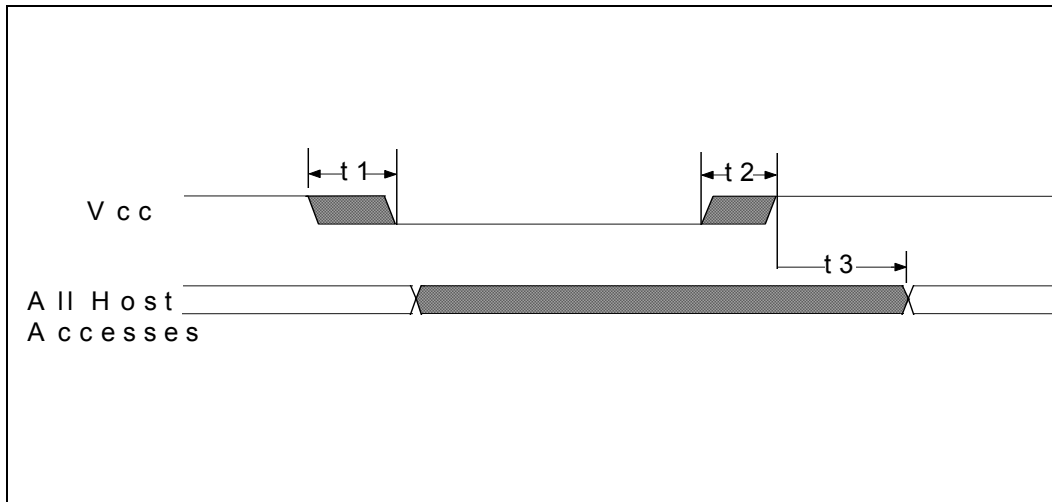
**Note:** The input capacitance of a port is measured at the connector pins.

## 12 TIMING DIAGRAMS

---

For the Timing Diagrams shown, the following capacitive loads are used on outputs.

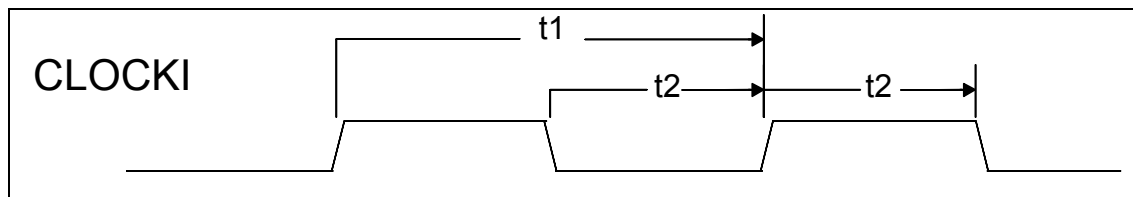
NAME	CAPACITANCE TOTAL (pF)
SER_IRQ	50
LAD# [3:0]	50
LDRQ#	50
nDIR	240
nSTEP	240
nDS0	240
nDS1	240
PD[0:7]	240
nSTROBE	240
nALF	240
J1X-Y	50
J2X-Y	50
KDAT	240
KCLK	240
MDAT	240
MCLK	240
MIDI_Tx	50
FANx	50
LEDx	50
TXD1	50
TXD2	50
SDA	240



**FIGURE 12 - POWER-UP TIMING**

NAME	DESCRIPTION	MIN	TYP	MAX	UNITS
t1	Vcc Slew from 2.7V to 0V	300			us
t2	Vcc Slew from 0V to 2.7V	100			us
t3	All Host Accesses After Powerup (Note 1)	125		500	us

**Note 1:** Internal write-protection period after Vcc passes 2.7 volts on power-up



**FIGURE 13 - INPUT CLOCK TIMING**

NAME	DESCRIPTION	MIN	TYP	MAX	UNITS
t1	Clock Cycle Time for 14.318MHZ		69.84		ns
t2	Clock High Time/Low Time for 14.318MHZ	20	35		ns
t1	Clock Cycle Time for 32KHZ		31.25		μs
t2	Clock High Time/Low Time for 32KHz		15.63		μs
	Clock Rise Time/Fall Time (not shown)			5	ns

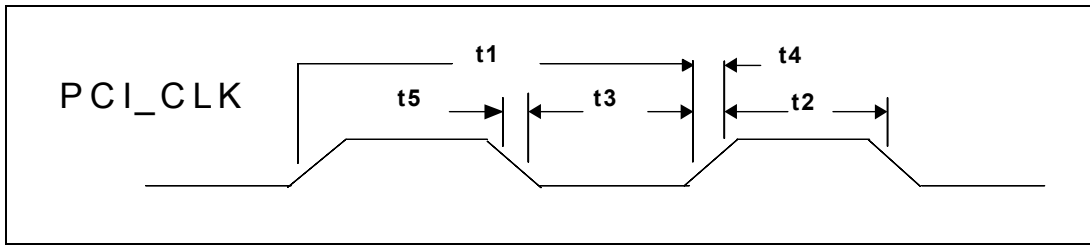


FIGURE 14 - PCI CLOCK TIMING

NAME	DESCRIPTION	MIN	TYP	MAX	UNITS
t1	Period	30		33.3	nsec
t2	High Time	12			nsec
t3	Low Time	12			nsec
t4	Rise Time			3	nsec
t5	Fall Time			3	nsec

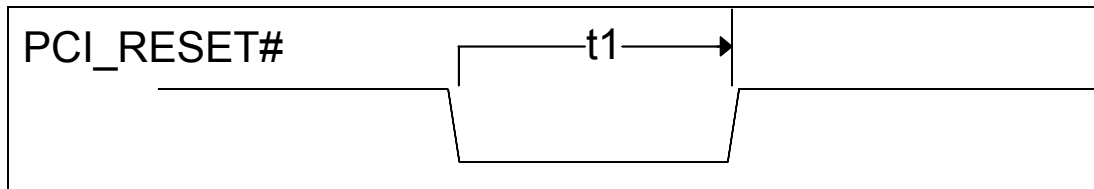
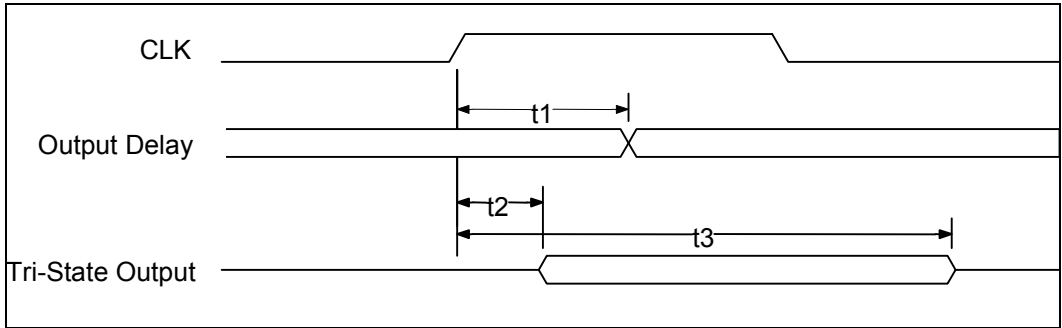


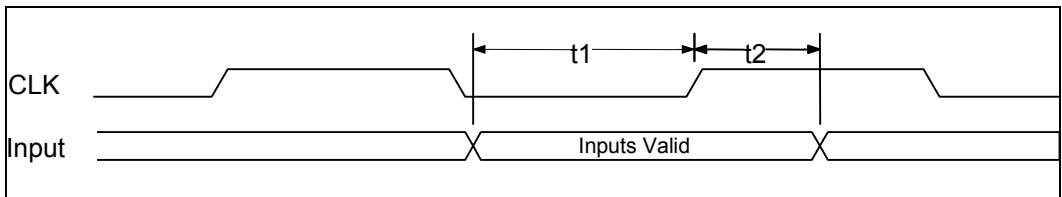
FIGURE 15 - RESET TIMING

NAME	DESCRIPTION	MIN	TYP	MAX	UNITS
t1	PCI_RESET# width	1			ms



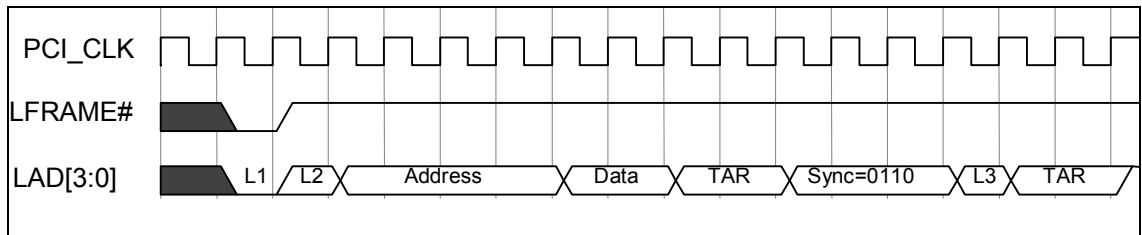
**FIGURE 16 - OUPUT TIMING MEASUREMENT CONDITIONS, LPC SIGNALS**

NAME	DESCRIPTION	MIN	TYP	MAX	UNITS
t1	CLK to Signal Valid Delay – Bused Signals	2		11	ns
t2	Float to Active Delay	2		11	ns
t3	Active to Float Delay			28	ns



**FIGURE 17 - INPUT TIMING MEASUREMENT CONDITIONS, LPC SIGNALS**

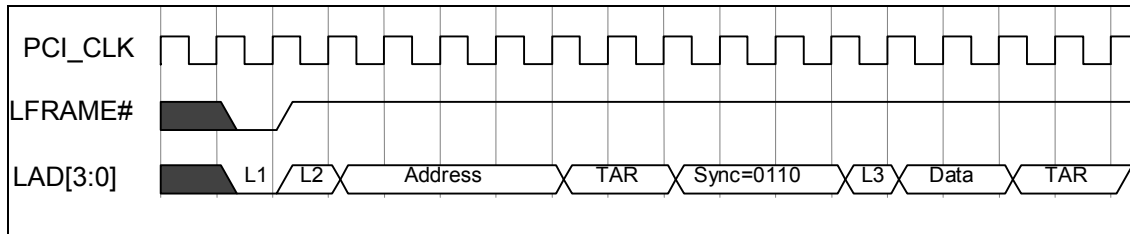
NAME	DESCRIPTION	MIN	TYP	MAX	UNITS
t1	Input Set Up Time to CLK – Bused Signals	7			ns
t2	Input Hold Time from CLK	0			ns



**Note:** L1=Start; L2=CYCTYP+DIR; L3=Sync of 0000

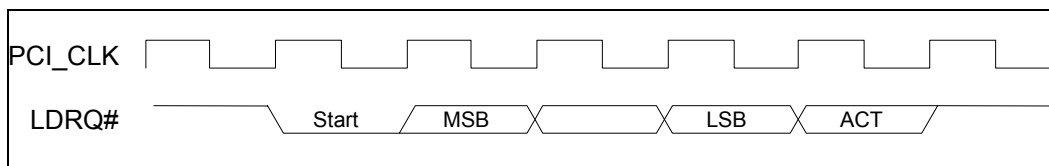
**FIGURE 18 - I/O WRITE**



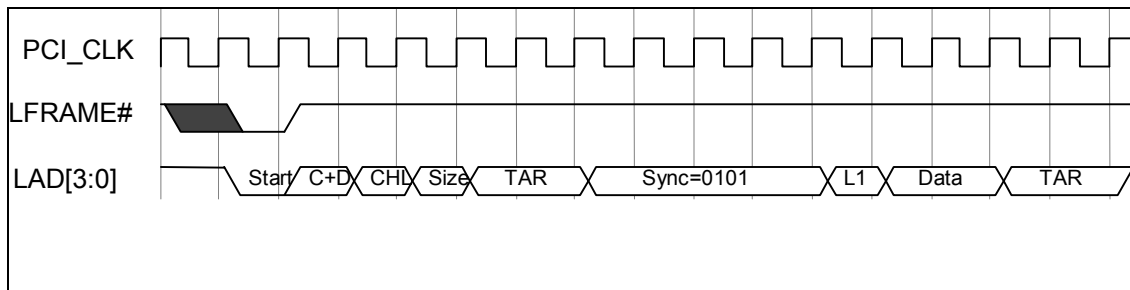


**Note:** L1=Start; L2=CYCTYP+DIR; L3=Sync of 0000

**FIGURE 19 - I/O READ**

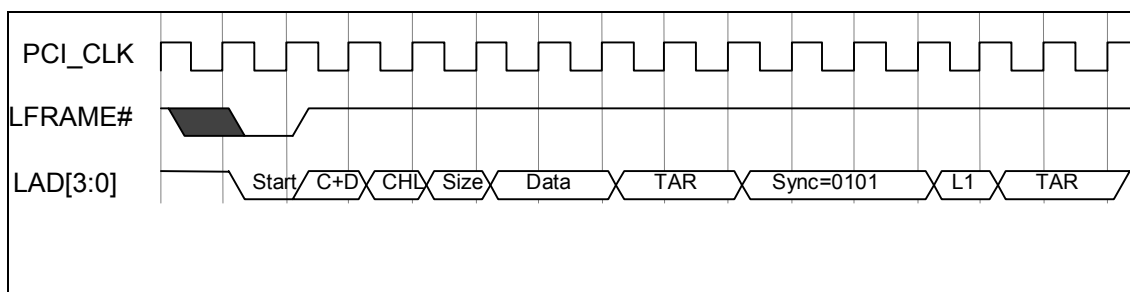


**FIGURE 20 - DMA REQUEST ASSERTION THROUGH LDRQ#**



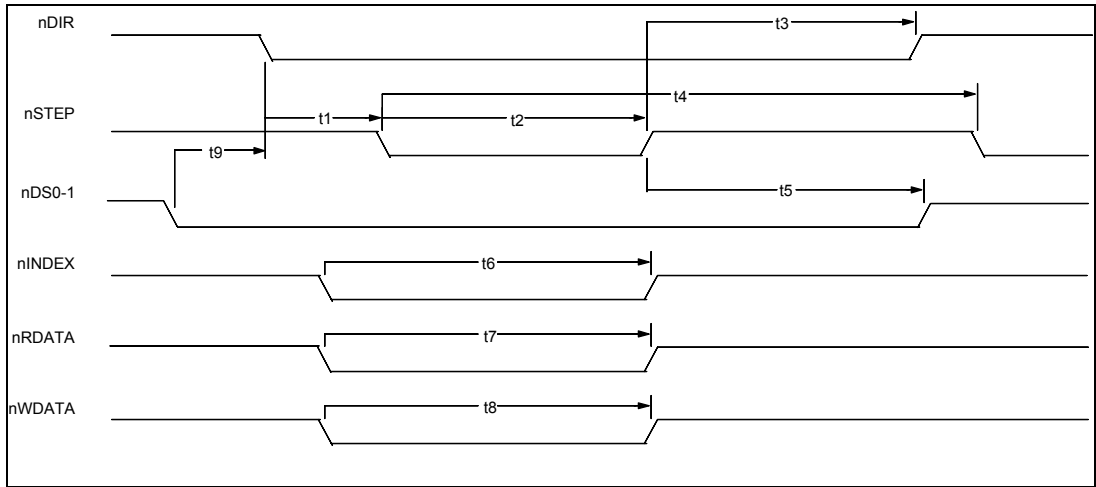
**Note:** L1=Sync of 0000

**FIGURE 21 - DMA WRITE (FIRST BYTE)**



**Note:** L1=Sync of 0000

**FIGURE 22 - DMA READ (FIRST BYTE)**



**FIGURE 23 - FLOPPY DISK DRIVE TIMING (AT MODE ONLY)**

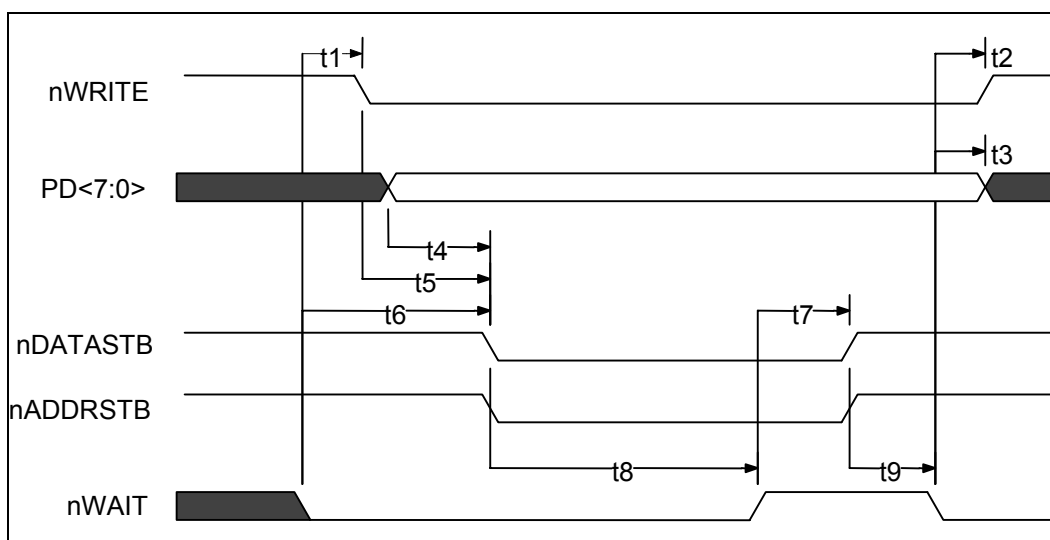
NAME	DESCRIPTION	MIN	TYP	MAX	UNITS
t1	nDIR Set Up to STEP Low		4		X*
t2	nSTEP Active Time Low		24		X*
t3	nDIR Hold Time after STEP#		96		X*
t4	nSTEP Cycle Time		132		X*
t5	nDS0 & nDS1 Hold Time from nSTEP Low (Note)		20		X*
t6	nINDEX Pulse Width		2		X*
t7	nRDATA Active Time Low		40		ns
t8	nWDATA Write Data Width Low		.5		Y*
t9	nDS0 & nDS1, Setup Time nDIR Low (Note)	0			ns

**\*X specifies one MCLK period and Y specifies one WCLK period.**

MCLK = 16 x Data Rate (at 500 kb/s MCLK = 8 MHz)

WCLK = 2 x Data Rate (at 500 kb/s WCLK = 1 MHz)

**Note:** The DS0 & DS1 setup and hold times must be met by software.



**FIGURE 24 - EPP 1.9 DATA OR ADDRESS WRITE CYCLE**

NAME	DESCRIPTION	MIN	TYP	MAX	UNITS
t1	nWAIT Asserted to nWRITE Asserted (Note 1)	60		185	ns
t2	nWAIT Asserted to nWRITE Change (Note 1)	60		185	ns
t3	nWAIT Asserted to PDATA Invalid (Note 1)	0			ns
t4	PDATA Valid to Command Asserted	10			ns
t5	nWRITE to Command Asserted	5		35	ns
t6	nWAIT Asserted to Command Asserted (Note 1)	60		210	ns
t7	nWAIT Deasserted to Command Deasserted (Note 1)	60		190	ns
t8	Command Asserted to nWAIT Deasserted	0		10	us
t9	Command Deasserted to nWAIT Asserted	0			ns

**Note 1:** nWAIT must be filtered to compensate for ringing on the parallel bus cable. nWAIT is considered to have settled after it does not transition for a minimum of 50 nsec.

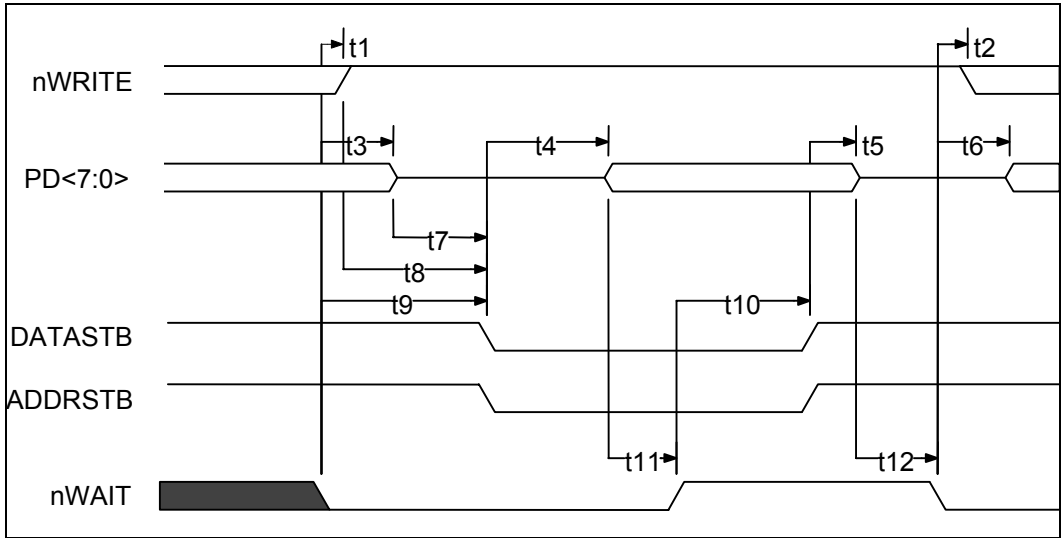
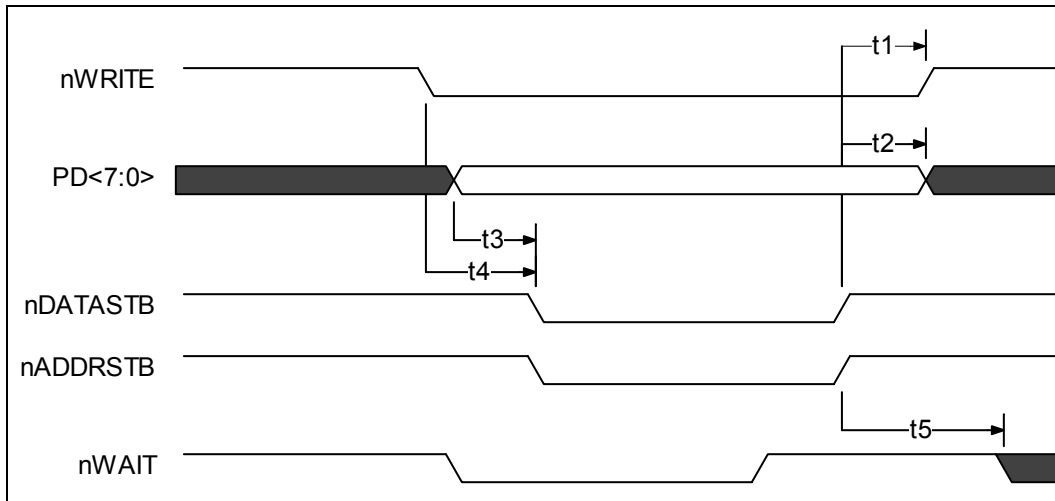


FIGURE 25 - EPP 1.9 DATA OR ADDRESS READ CYCLE

NAME	DESCRIPTION	MIN	TYP	MAX	UNITS
t1	nWAIT Asserted to nWRITE Deasserted	0		185	ns
t2	nWAIT Asserted to nWRITE Modified (Notes 1,2)	60		190	ns
t3	nWAIT Asserted to PDATA Hi-Z (Note 1)	60		180	ns
t4	Command Asserted to PDATA Valid	0			ns
t5	Command Deasserted to PDATA Hi-Z	0			ns
t6	nWAIT Asserted to PDATA Driven (Note 1)	60		190	ns
t7	PDATA Hi-Z to Command Asserted	0		30	ns
t8	nWRITE Deasserted to Command	1			ns
t9	nWAIT Asserted to Command Asserted	0		195	ns
t10	nWAIT Deasserted to Command Deasserted (Note 1)	60		180	ns
t11	PDATA Valid to nWAIT Deasserted	0			ns
t12	PDATA Hi-Z to nWAIT Asserted	0			µs

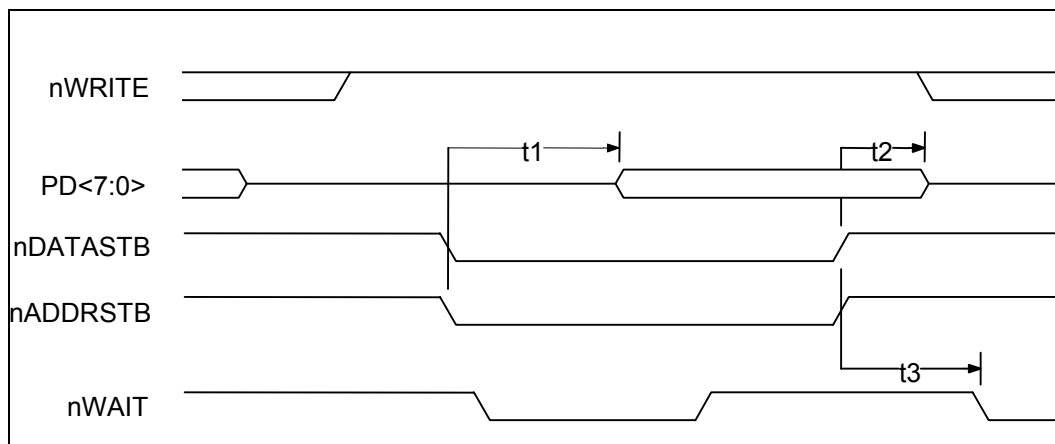
**Note 1:** nWAIT is considered to have settled after it does not transition for a minimum of 50 ns.

**Note 2:** When not executing a write cycle, EPP nWRITE is inactive high.



**FIGURE 26 - EPP 1.7 DATA OR ADDRESS WRITE CYCLE**

NAME	DESCRIPTION	MIN	TYP	MAX	UNITS
t1	Command Deasserted to nWRITE Change	0		40	ns
t2	Command Deasserted to PDATA Invalid	50			ns
t3	PDATA Valid to Command Asserted	10		35	ns
t4	nWRITE to Command	5		35	ns
t5	Command Deasserted to nWAIT Deasserted	0			ns



**FIGURE 27 - EPP 1.7 DATA OR ADDRESS READ CYCLE**

NAME	DESCRIPTION	MIN	TYP	MAX	UNITS
t1	Command Asserted to PDATA Valid	0			ns
t2	Command Deasserted to PDATA Hi-Z	0			ns
t3	Command Deasserted to nWAIT Deasserted	0			ns

## **ECP PARALLEL PORT TIMING**

### **Parallel Port FIFO (Mode 101)**

The standard parallel port is run at or near the peak 500KBytes/sec allowed in the forward direction using DMA. The state machine does not examine nACK and begins the next transfer based on Busy. Refer to FIGURE 28.

### **ECP Parallel Port Timing**

The timing is designed to allow operation at approximately 2.0 Mbytes/sec over a 15ft cable. If a shorter cable is used then the bandwidth will increase.

#### **Forward-Idle**

When the host has no data to send it keeps HostClk (nStrobe) high and the peripheral will leave PeriphClk (Busy) low.

#### **Forward Data Transfer Phase**

The interface transfers data and commands from the host to the peripheral using an interlocked PeriphAck and HostClk. The peripheral may indicate its desire to send data to the host by asserting nPeriphRequest.

The Forward Data Transfer Phase may be entered from the Forward-Idle Phase. While in the Forward Phase the peripheral may asynchronously assert the nPeriphRequest (nFault) to request that the channel be reversed. When the peripheral is not busy it sets PeriphAck (Busy) low. The host then sets HostClk (nStrobe) low when it is prepared to send data. The data must be stable for the specified setup time prior to the falling edge of HostClk. The peripheral then sets PeriphAck (Busy) high to acknowledge the handshake. The host then sets HostClk (nStrobe) high. The peripheral then accepts the data and sets PeriphAck (Busy) low, completing the transfer. This sequence is shown in FIGURE 29.

The timing is designed to provide 3 cable round-trip times for data setup if Data is driven simultaneously with HostClk (nStrobe).

#### **Reverse-Idle Phase**

The peripheral has no data to send and keeps PeriphClk high. The host is idle and keeps HostAck low.

#### **Reverse Data Transfer Phase**

The interface transfers data and commands from the peripheral to the host using an interlocked HostAck and PeriphClk.

The Reverse Data Transfer Phase may be entered from the Reverse-Idle Phase. After the previous byte has been accepted the host sets HostAck (nALF) low. The peripheral then sets PeriphClk (nACK) low when it has data to send. The data must be stable for the specified setup time prior to the falling edge of PeriphClk. When the host is ready to accept a byte it sets HostAck (nALF) high to acknowledge the handshake. The peripheral then sets PeriphClk (nACK) high. After the host has accepted the data it sets HostAck (nALF) low, completing the transfer. This sequence is shown in FIGURE 30.

## Output Drivers

To facilitate higher performance data transfer, the use of balanced CMOS active drivers for critical signals (Data, HostAck, HostClk, PeriphAck, PeriphClk) are used in ECP Mode. Because the use of active drivers can present compatibility problems in Compatible Mode (the control signals, by tradition, are specified as open-drain), the drivers are dynamically changed from open-drain to push-pull. The timing for the dynamic driver change is specified in then IEEE 1284 Extended Capabilities Port Protocol and ISA Interface Standard, Rev. 1.14, July 14, 1993, available from Microsoft. The dynamic driver change must be implemented properly to prevent glitching the outputs.

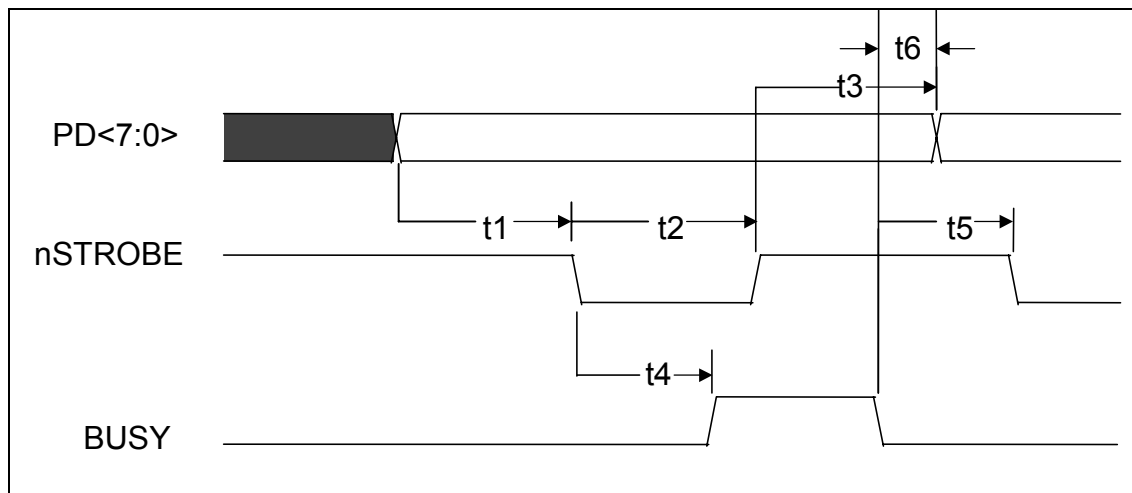
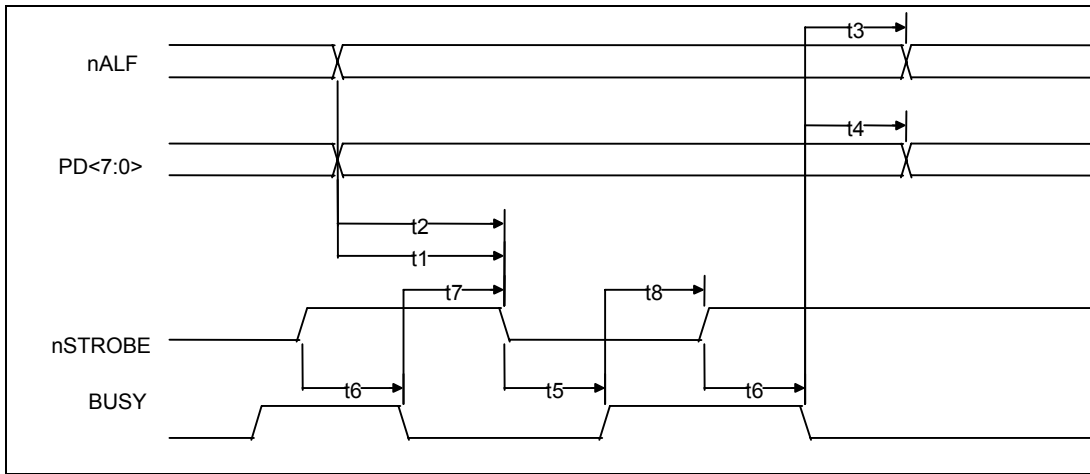


FIGURE 28 - PARALLEL PORT FIFO TIMING

NAME	DESCRIPTION	MIN	TYP	MAX	UNITS
t1	PDATA Valid to nSTROBE Active	600			ns
t2	nSTROBE Active Pulse Width	600			ns
t3	PDATA Hold from nSTROBE Inactive (Note 1)	450			ns
t4	nSTROBE Active to BUSY Active			500	ns
t5	BUSY Inactive to nSTROBE Active	680			ns
t6	BUSY Inactive to PDATA Invalid (Note 1)	80			ns

**Note 1:** The data is held until BUSY goes inactive or for time t3, whichever is longer. This only applies if another data transfer is pending. If no other data transfer is pending, the data is held indefinitely.



**FIGURE 29 - ECP PARALLEL PORT FORWARD TIMING**

NAME	DESCRIPTION	MIN	TYP	MAX	UNITS
t1	nALF Valid to nSTROBE Asserted	0		60	ns
t2	PDATA Valid to nSTROBE Asserted	0		60	ns
t3	BUSY Deasserted to nALF Changed (Notes 1,2)	80		180	ns
t4	BUSY Deasserted to PDATA Changed (Notes 1,2)	80		180	ns
t5	nSTROBE Asserted to Busy Asserted	0			ns
t6	nSTROBE Deasserted to Busy Deasserted	0			ns
t7	BUSY Deasserted to nSTROBE Asserted (Notes 1,2)	80		200	ns
t8	BUSY Asserted to nSTROBE Deasserted (Note 2)	80		180	ns

**Note 1:** Maximum value only applies if there is data in the FIFO waiting to be written out.

**Note 2:** BUSY is not considered asserted or deasserted until it is stable for a minimum of 75 to 130 ns.



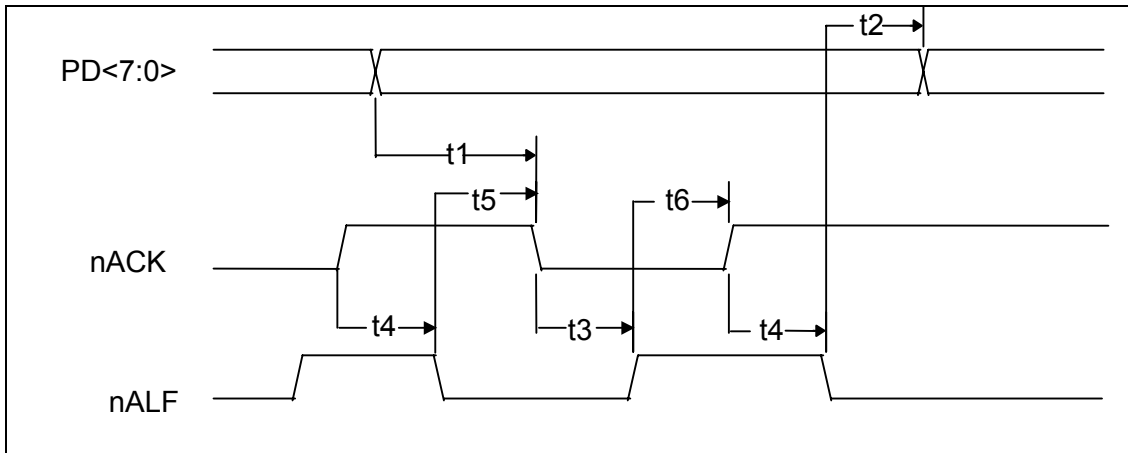
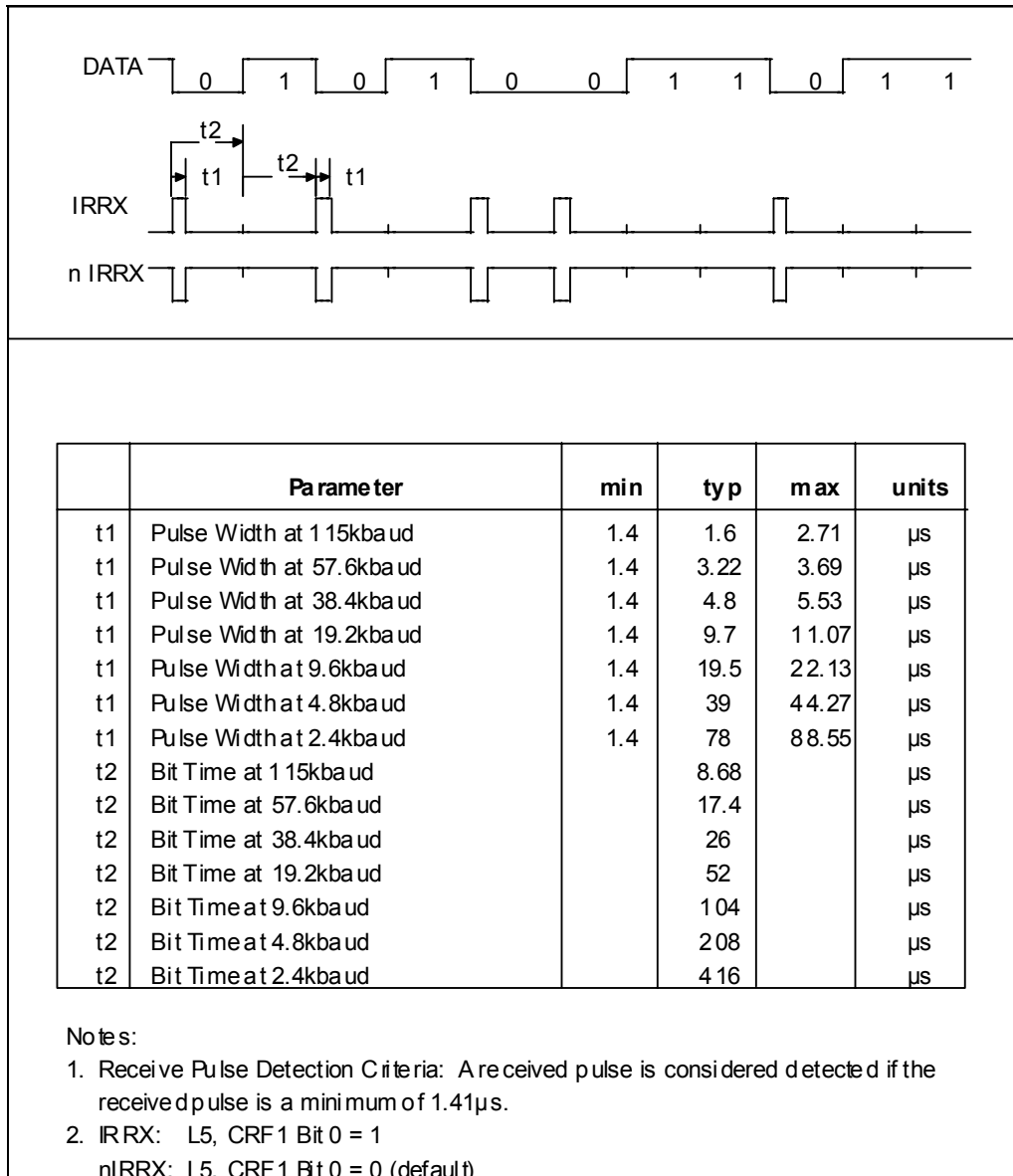


FIGURE 30 - ECP PARALLEL PORT REVERSE TIMING

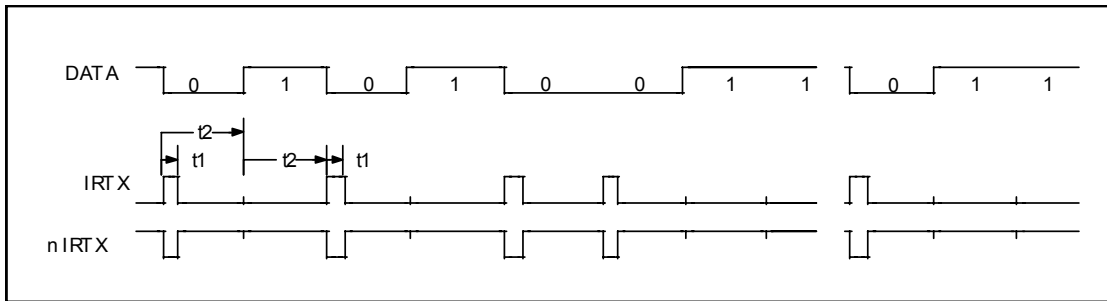
NAME	DESCRIPTION	MIN	TYP	MAX	UNITS
t1	PDATA Valid to nACK Asserted	0			ns
t2	nALF Deasserted to PDATA Changed	0			ns
t3	nACK Asserted to nALF Deasserted (Notes 1,2)	80		200	ns
t4	nACK Deasserted to nALF Asserted (Note 2)	80		200	ns
t5	nALF Asserted to nACK Asserted	0			ns
t6	nALF Deasserted to nACK Deasserted	0			ns

**Note 1:** Maximum value only applies if there is room in the FIFO and terminal count has not been received. ECP can stall by keeping nALF low.

**Note 2:** nACK is not considered asserted or deasserted until it is stable for a minimum of 75 to 130 ns.



**FIGURE 31 - IRDA RECEIVE TIMING**

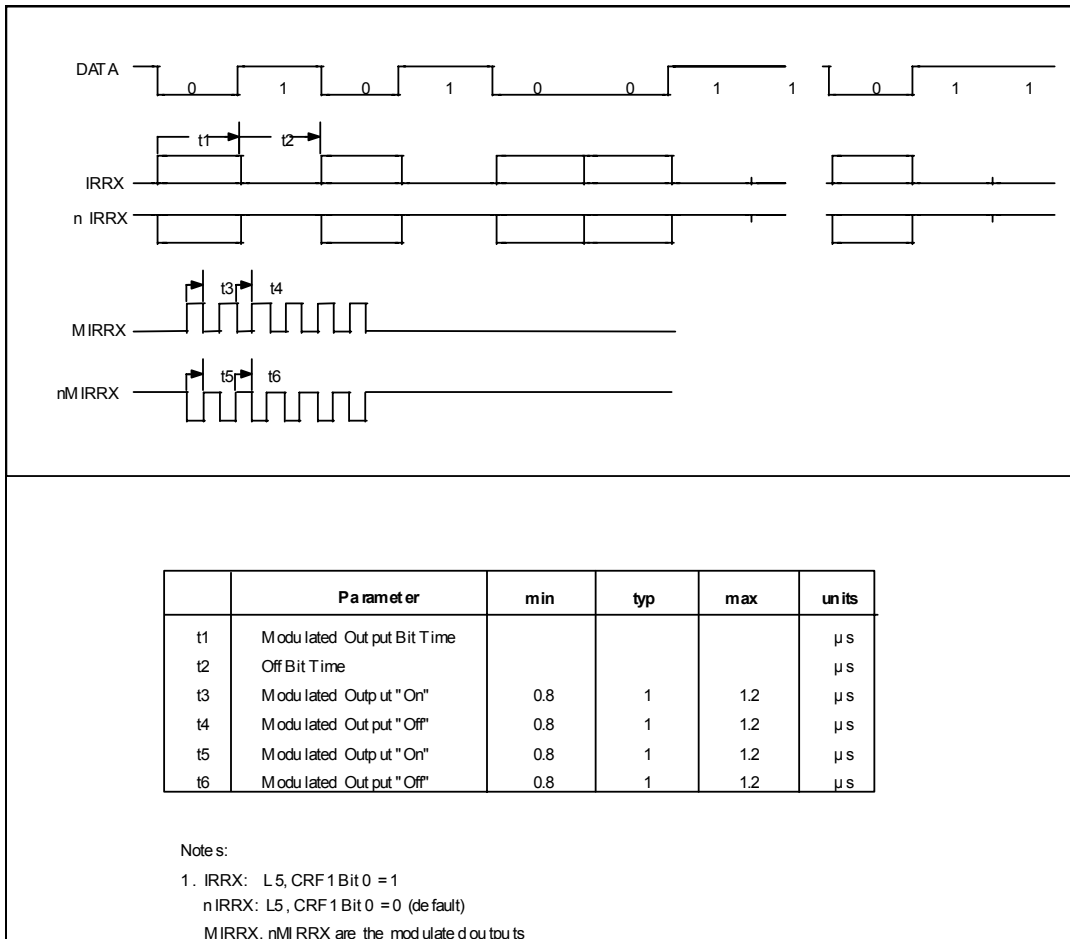


	Parameter	min	typ	max	units
t1	Pulse Width at 115kbaud	1.41	1.6	2.71	µs
t1	Pulse Width at 57.6kbaud	1.41	3.22	3.69	µs
t1	Pulse Width at 38.4kbaud	1.41	4.8	5.53	µs
t1	Pulse Width at 19.2kbaud	1.41	9.7	11.07	µs
t1	Pulse Width at 9.6kbaud	1.41	19.5	22.13	µs
t1	Pulse Width at 4.8kbaud	1.41	39	44.27	µs
t1	Pulse Width at 2.4kbaud	1.41	78	88.55	µs
t2	Bit Time at 115kbaud		8.68		µs
t2	Bit Time at 57.6kbaud		17.4		µs
t2	Bit Time at 38.4kbaud		26		µs
t2	Bit Time at 19.2kbaud		52		µs
t2	Bit Time at 9.6kbaud		104		µs
t2	Bit Time at 4.8kbaud		208		µs
t2	Bit Time at 2.4kbaud		416		µs

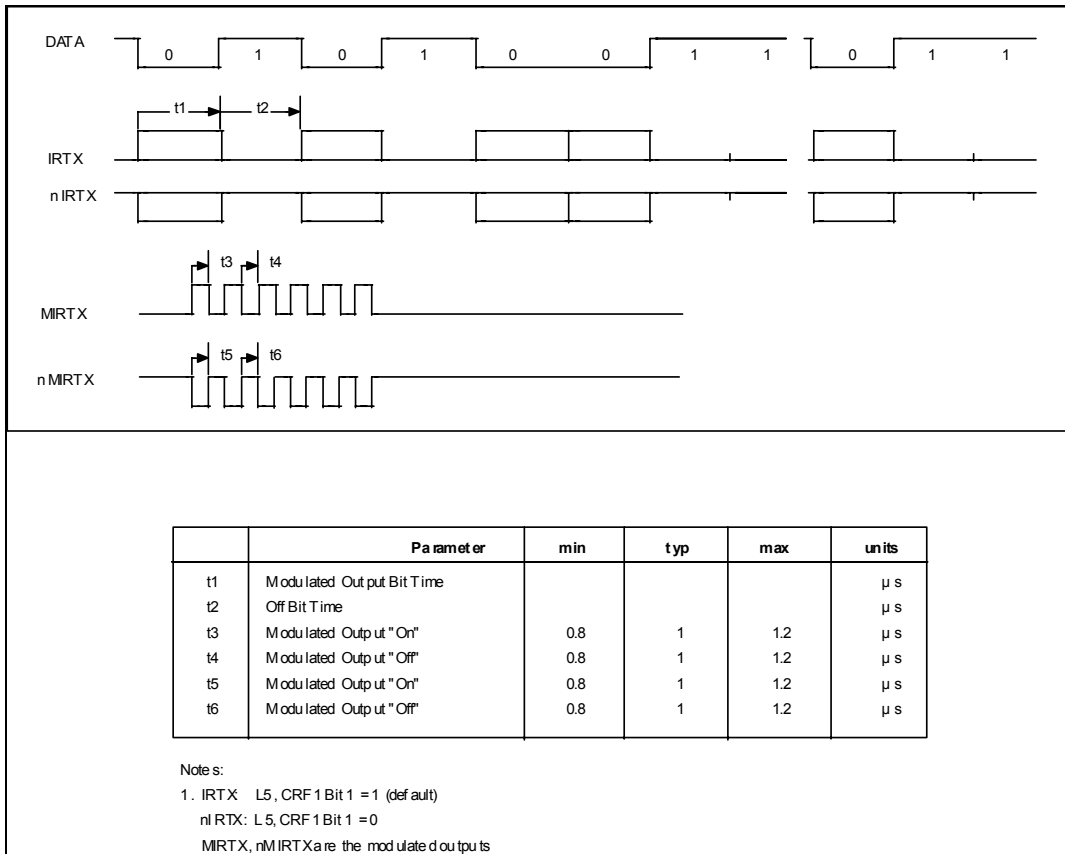
Notes:

1. IrDA @ 115k is HPSIR compatible. IrDA @ 2400 will allow compatibility with HP95LX and 48SX.
2. IRTX: L5, CRF1 Bit 1 = 1 (default)  
nIRTX: L5, CRF1 Bit 1 = 0

**FIGURE 32 - IRDA TRANSMIT TIMING**



**FIGURE 33 - AMPLITUDE SHIFT KEYED IR RECEIVE TIMING**



**FIGURE 34 - AMPLITUDE SHIFT KEYED IR TRANSMIT TIMING**

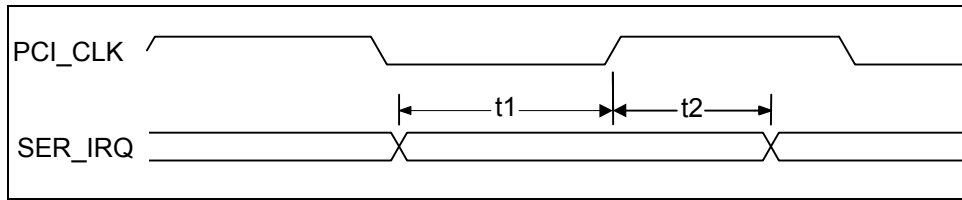


FIGURE 35 - SETUP AND HOLD TIME

NAME	DESCRIPTION	MIN	TYP	MAX	UNITS
t1	SER_IRQ Setup Time to PCI_CLK Rising	7			nsec
t2	SER_IRQ Hold Time to PCI_CLK Rising	0			nsec

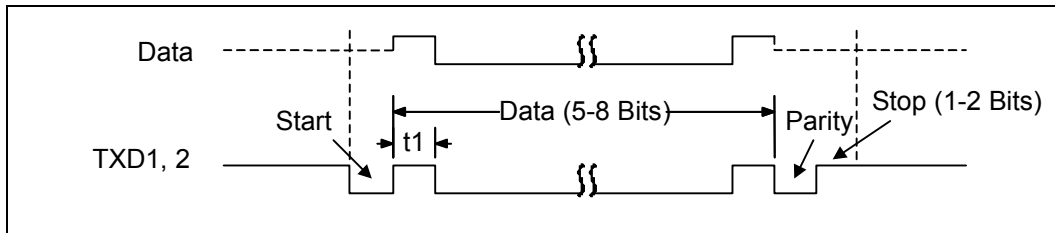
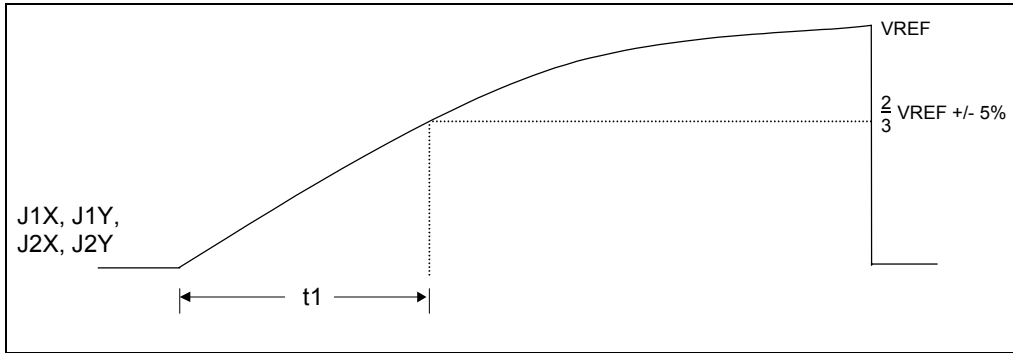


FIGURE 36 - SERIAL PORT DATA

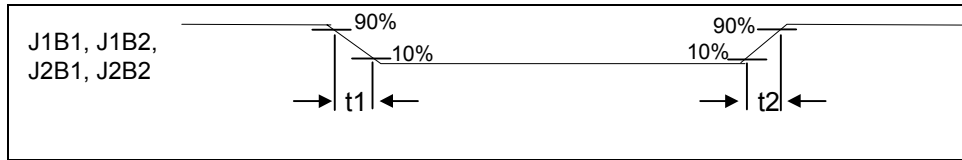
NAME	DESCRIPTION	MIN	TYP	MAX	UNITS
t1	Serial Port Data Bit Time		$t_{BR}^1$		nsec

**Note 1:**  $t_{BR}$  is 1/Baud Rate. The Baud Rate is programmed through the divisor latch registers. Baud Rates have percentage errors indicated in the "Baud Rate" table in the "Serial Port" section.



**FIGURE 37 - JOYSTICK POSITION SIGNAL**

NAME	DESCRIPTION	MIN	TYP	MAX	UNITS
t1	Rise Time to 2/3 VREF	20			$\mu\text{sec}$



**FIGURE 38 - JOYSTICK BUTTON SIGNAL**

NAME	DESCRIPTION	MIN	TYP	MAX	UNITS
t1, t2	Button Fall/Rise Time			10	$\mu\text{sec}$

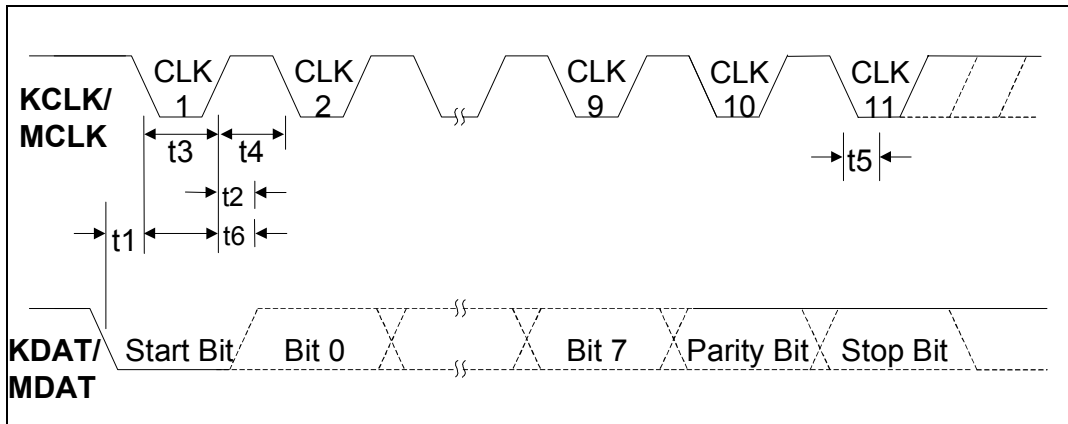


FIGURE 39 - KEYBOARD/MOUSE RECEIVE/SEND DATA TIMING

NAME	DESCRIPTION	MIN	TYP	MAX	UNITS
t1	Time from DATA transition to falling edge of CLOCK (Receive)	5		25	μsec
t2	Time from rising edge of CLOCK to DATA transition (Receive)	5		T4-5	μsec
t3	Duration of CLOCK inactive (Receive/Send)	30		50	μsec
t4	Duration of CLOCK active (Receive/Send)	30		50	μsec
t5	Time to keyboard inhibit after clock 11 to ensure the keyboard does not start another transmission (Receive)	>0		50	μsec
t6	Time from inactive to active CLOCK transition, used to time when the auxiliary device samples DATA (Send)	5		25	μsec



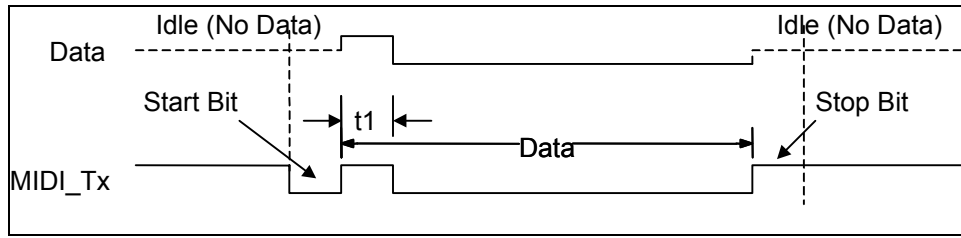


FIGURE 40 - MIDI DATA BYTE

NAME	DESCRIPTION	MIN	TYP	MAX	UNITS
t1	MIDI Data Bit Time	31.7	32	32.3	µsec

Note: The MIDI bit clock is 31.25kHz +/- 1%

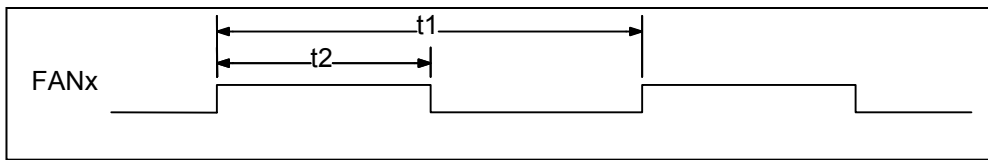


FIGURE 41 - FAN OUTPUT TIMING

NAME	DESCRIPTION	MIN	TYP	MAX	UNITS
t1	PWM Period (Note 1)	0.021		25.5	msec
t2	PWM High Time (Note 2)	0.00033		25.1	msec

**Note 1:** The period is  $1/f_{out}$ , where  $f_{out}$  is programmed through the FANx and Fan Control registers. The tolerance on  $f_{out}$  is +/- 2%.

**Note 2:** When Bit 0 of the FANx registers is 0, then the duty cycle is programmed through Bits[6:1] of these registers. If Bits[6:1] = "000000" then the FANx pin is low. The duty cycle is programmable through Bits[6:1] to be between 1.56% and 98.44%. When Bit 0 is 1, the FANx pin is high.

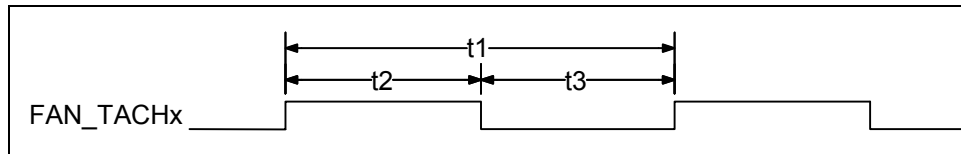
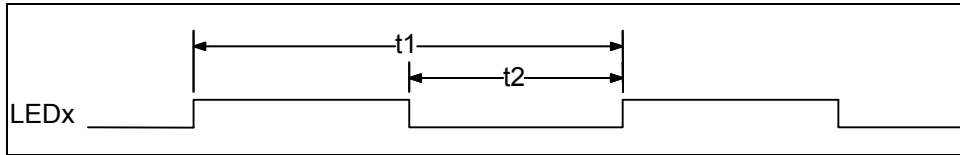


FIGURE 42 - FAN TACHOMETER INPUT TIMING

NAME	DESCRIPTION	MIN	TYP	MAX	UNITS
t1	Pulse Time (1/2 Revolution Time=30/RPM)	$4t_{TACH}$			µsec
t2	Pulse High Time	$3t_{TACH}$			µsec
t3	Pulse Low Time	$t_{TACH}$			µsec

**Note 1:**  $t_{TACH}$  is the clock used for the tachometer counter. It is  $30.52 * DVSR$ , where the divisor (DVSR) is programmed in the Fan Control register.



**FIGURE 43 - LED OUTPUT TIMING**

NAME	DESCRIPTION	MIN	TYP	MAX	UNITS
t1	Period	1		2	sec
t2	Blink ON Time	0		0.5 <sup>1</sup>	sec

**Note 1:** The blink rate is programmed through Bits[1:0] in LEDx register. When Bits[1:0]=00, LED is OFF. Bits[1:0]=01 indicates LED blink at 1Hz rate with a 50% duty cycle (0.5 sec ON, 0.5 sec OFF). Bits[1:0]=10 indicates LED blink at ½ Hz rate with a 25% duty cycle (0.5 sec ON, 1.5 sec OFF). When Bits[1:0]=11, LED is ON.

## SMBus Timing

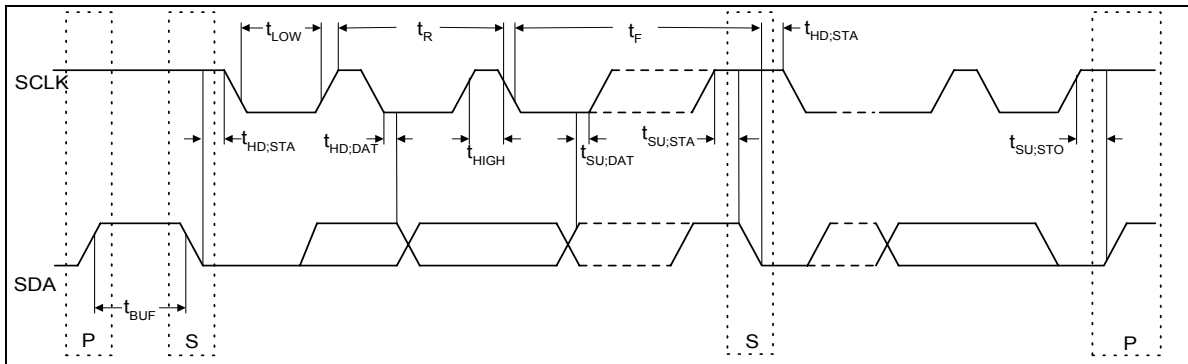


FIGURE 44 – SMBUS TIMING

SYMBOL	PARAMETER	LIMITS		UNITS	COMMENTS
		MIN	MAX		
F <sub>SMB</sub>	SMB Operating Frequency	10	400	kHz	Note 1
T <sub>SP</sub>	Spike Suppression		50	ns	Note 2
T <sub>BUF</sub>	Bus free time between Stop and Start Condition	1.3		μs	
T <sub>HD:STA</sub>	Hold time after (Repeated) Start Condition. After this period, the first clock is generated.	0.6		μs	
T <sub>SU:STA</sub>	Repeated Start Condition setup time	0.6		μs	
T <sub>SU:STO</sub>	Stop Condition setup time	0.6		μs	
T <sub>HD:DAT</sub>	Data hold time	0.3	0.9	μs	
T <sub>SU:DAT</sub>	Data setup time	100		ns	Note 3
T <sub>LOW</sub>	Clock low period	1.3		μs	
T <sub>HIGH</sub>	Clock high period	0.6		μs	
T <sub>F</sub>	Clock/Data Fall Time	20+0.1C <sub>b</sub>	300	ns	
T <sub>R</sub>	Clock/Data Rise Time	20+0.1C <sub>b</sub>	300	ns	
C <sub>b</sub>	Capacitive load for each bus line		400	pF	

**Note 1:** The SMBus timing (e.g., max clock frequency of 400kHz) specified exceeds that specified in the System Management Bus Specification, Rev 1.1. This corresponds to the maximum clock frequency for fast mode devices on the I<sup>2</sup>C bus. See “The I<sup>2</sup>C Bus Specification,” version 2.0, Dec. 1998.

**Note 2:** At 400kHz, spikes of a maximum pulse width of 50ns must be suppressed by the input filter.

**Note 3:** If using 100 kHz clock frequency, the next data bit output to the SDA line will be 1250 ns (1000 ns (T<sub>R</sub> max) + 250 ns (T<sub>SU:DAT</sub> min) @ 100 kHz) before the SCLK line is released.

## 13 PACKAGE OUTLINE

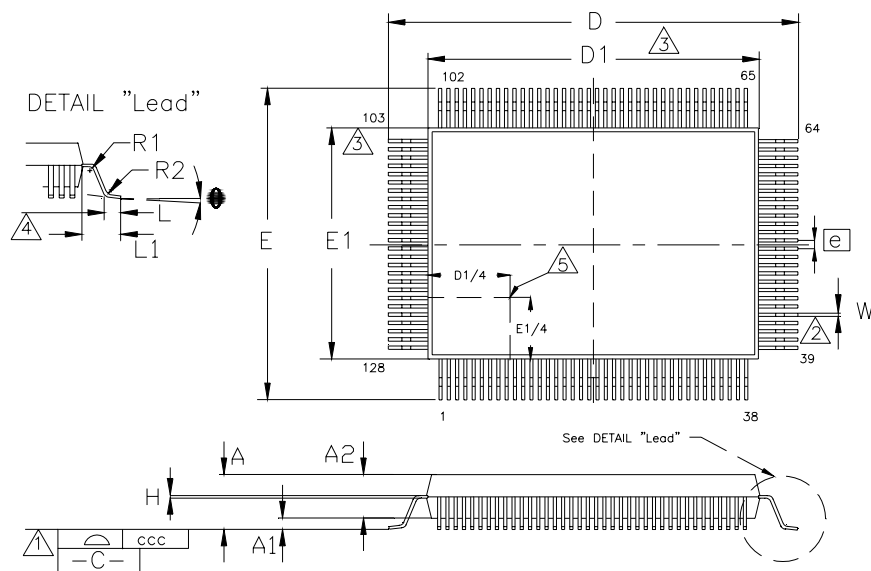


FIGURE 45 – 128 PIN QFP PACKAGE OUTLINE, 14x20x2.7 BODY, 3.2 MM FOOTPRINT

	MIN	NOMINAL	MAX	REMARKS
<b>A</b>	~	~	3.4	Overall Package Height
<b>A1</b>	0.05	~	0.5	Standoff
<b>A2</b>	2.55	~	3.05	Body Thickness
<b>D</b>	23.00	23.20	23.40	X Span
<b>D1</b>	19.90	20.00	20.10	X body Size
<b>E</b>	17.00	17.20	17.40	Y Span
<b>E1</b>	13.90	14.00	14.10	Y body Size
<b>H</b>	0.09	~	0.20	Lead Frame Thickness
<b>L</b>	0.73	0.88	1.03	Lead Foot Length
<b>L1</b>	~	1.60	~	Lead Length
<b>e</b>	0.50 Basic			Lead Pitch
<b>θ</b>	0°	~	7°	Lead Foot Angle
<b>W</b>	0.10	~	0.30	Lead Width
<b>R1</b>	0.08	~	~	Lead Shoulder Radius
<b>R2</b>	0.08	~	0.30	Lead Foot Radius
<b>ccc</b>	~	~	0.08	Coplanarity

**Notes:**

<sup>1</sup> Controlling Unit: millimeter.

<sup>2</sup> Tolerance on the position of the leads is  $\pm 0.04$  mm maximum.

<sup>3</sup> Package body dimensions D1 and E1 do not include the mold protrusion.

Maximum mold protrusion is 0.25 mm.

<sup>4</sup> Dimension for foot length L measured at the gauge plane 0.25 mm above the seating plane.

<sup>5</sup> Details of pin 1 identifier are optional but must be located within the zone indicated.

## 14 APPENDIX A – THERMAL DIODE PARAMETERS

The Pentium II and Pentium III processors incorporate an on-die diode that may be used to monitor the die temperature (junction temperature). The following table provides the diode parameters.

**Table 77 – Thermal Diode Parameters**

SYMBOL	MIN	TYP	MAX	UNIT	NOTES
I <sub>2</sub> forward bias	5		500	uA	1
	5		300	uA	6
n_ideality	1.0000	1.0065	1.0173		2, 3, 4
	1.0057	1.0080	1.0125		2, 3, 5, 6

**Notes:**

1. Intel does not support or recommend operation of the thermal diode under reverse bias.
2. At room temperature with a forward bias of 630 mV.
3. n\_ideality is the diode ideality factor parameter, as represented by the diode equation:  
$$I_2 = I_1 (e^{(V_d * q) / (nkT)} - 1)$$
 where  
I<sub>1</sub> is saturation current  
V<sub>d</sub> is change in V<sub>be</sub>  
q is the electron charge  
K is the Boltzmann's constant  
T is the absolute temperature in °K
4. This specification applies to the Pentium II processor and Pentium III processor (CPUID=067xh) for the SC242 at 450MHz to 1.13GHz.
5. This specification applies to the Pentium III processor (CPUID=068xh) for the SC242 at 450MHz to 1.13GHz.
6. This specification applies to the Pentium III processor for the PGA370 socket at 500MHz to 1GHz.

## 15 APPENDIX B – ADC VOLTAGE CONVERSION

Table 78 – Analog-to-Digital Conversions for Hardware Monitoring Block

Input Voltage							A/D Output	
12 V <sub>IN</sub>	5 V <sub>IN</sub>	V <sub>CC</sub> /3.3 V <sub>IN</sub>	2.5 V <sub>IN</sub>	1.8 V <sub>IN</sub>	1.5 V <sub>IN</sub>	V <sub>CCPIN</sub>	Decimal	Binary
<0.062	<0.026	<0.0172	<0.013	<0.009	<0.008	<0.012	0	0000 0000
0.062–0.125	0.026–0.052	0.017–0.034	0.013–0.026	0.009–0.019	0.008–0.016	0.012–0.023	1	0000 0001
0.125–0.188	0.052–0.078	0.034–0.052	0.026–0.039	0.019–0.028	0.016–0.023	0.023–0.035	2	0000 0010
0.188–0.250	0.078–0.104	0.052–0.069	0.039–0.052	0.028–0.038	0.023–0.031	0.035–0.047	3	0000 0011
0.250–0.313	0.104–0.130	0.069–0.086	0.052–0.065	0.038–0.047	0.031–0.039	0.047–0.058	4	0000 0100
0.313–0.375	0.130–0.156	0.086–0.103	0.065–0.078	0.047–0.056	0.039–0.047	0.058–0.070	5	0000 0101
0.375–0.438	0.156–0.182	0.103–0.120	0.078–0.091	0.056–0.066	0.047–0.055	0.070–0.082	6	0000 0110
0.438–0.500	0.182–0.208	0.120–0.138	0.091–0.104	0.066–0.075	0.055–0.063	0.082–0.093	7	0000 0111
0.500–0.563	0.208–0.234	0.138–0.155	0.104–0.117	0.075–0.084	0.063–0.070	0.093–0.105	8	0000 1000
...	...	...	...	...	...	...	...	...
4.000–4.063	1.666–1.692	1.100–1.117	0.833–0.846	0.600–0.609	0.500–0.508	0.749–0.761	64 (1/4 Scale)	0100 0000
...	...	...	...	...	...	...	...	...
8.000–8.063	3.330–3.560	2.200–2.217	1.667–1.680	1.200–1.209	1.000–1.008	1.499–1.511	128 (1/2 Scale)	1000 0000
...	...	...	...	...	...	...	...	...
12.000–12.063	5.000–5.026	3.300–3.317	2.500–2.513	1.800–1.809	1.500–1.508	2.249–2.261	192 (3/4 Scale)	1100 0000
...	...	...	...	...	...	...	...	...
15.312–15.375	6.380–6.406	4.210–4.230	3.190–3.203	2.297–2.306	1.914–1.922	2.869–2.881	245	1111 0101
15.375–15.437	6.406–6.432	4.230–4.245	3.203–3.216	2.306–2.316	1.922–1.930	2.881–2.893	246	1111 0110
15.437–15.500	6.432–6.458	4.245–4.263	3.216–3.229	2.316–2.325	1.930–1.938	2.893–2.905	247	1111 0111
15.500–15.563	6.458–6.484	4.263–4.280	3.229–3.242	2.325–2.334	1.938–1.945	2.905–2.916	248	1111 1000
15.625–15.625	6.484–6.510	4.280–4.300	3.242–3.255	2.334–2.344	1.945–1.953	2.916–2.928	249	1111 1001
15.625–15.688	6.510–6.536	4.300–4.314	3.255–3.268	2.344–2.353	1.953–1.961	2.928–2.940	250	1111 1010
15.688–15.750	6.536–6.562	4.314–4.330	3.268–3.281	2.353–2.363	1.961–1.969	2.940–2.951	251	1111 1011
15.750–15.812	6.562–6.588	4.331–4.348	3.281–3.294	2.363–2.372	1.969–1.977	2.951–2.964	252	1111 1100
15.812–15.875	6.588–6.615	4.348–4.366	3.294–3.307	2.372–2.381	1.977–1.984	2.964–2.975	253	1111 1101
15.875–15.938	6.615–6.640	4.366–4.383	3.307–3.320	2.381–2.391	1.984–1.992	2.975–2.987	254	1111 1110
>15.938	>6.640	>4.383	>3.320	>2.391	>1.992	>2.988	255	1111 1111

## 16 APPENDIX C - TEST MODE

The LPC47M192 provides board test capability through the implementation of two XNOR chains. One chain is dedicated to the Super I/O portion of the chip (pins 1 – 100) and the second chain is dedicated solely to the Hardware Monitoring Block (pins 101 – 128).

### XNOR-Chain Test Mode

XNOR-Chain test structure allows users to confirm that all pins are in contact with the motherboard during assembly and test operations. See FIGURE 46 below. When the chip is in the XNOR chain test mode, setting the state of any of the input pins to the opposite of its current state will cause the output of the chain to toggle.

The XNOR-Chain test structure must be activated to perform these tests. When the XNOR-Chain is activated, the LPC47M192 pin functions are disconnected from the device pins, which all become input pins except for one output pin at the end of XNOR-Chain.

The tests that are performed when the XNOR-Chain test structure is activated require the board-level test hardware to control the device pins and observe the results at the XNOR-Chain output pin.

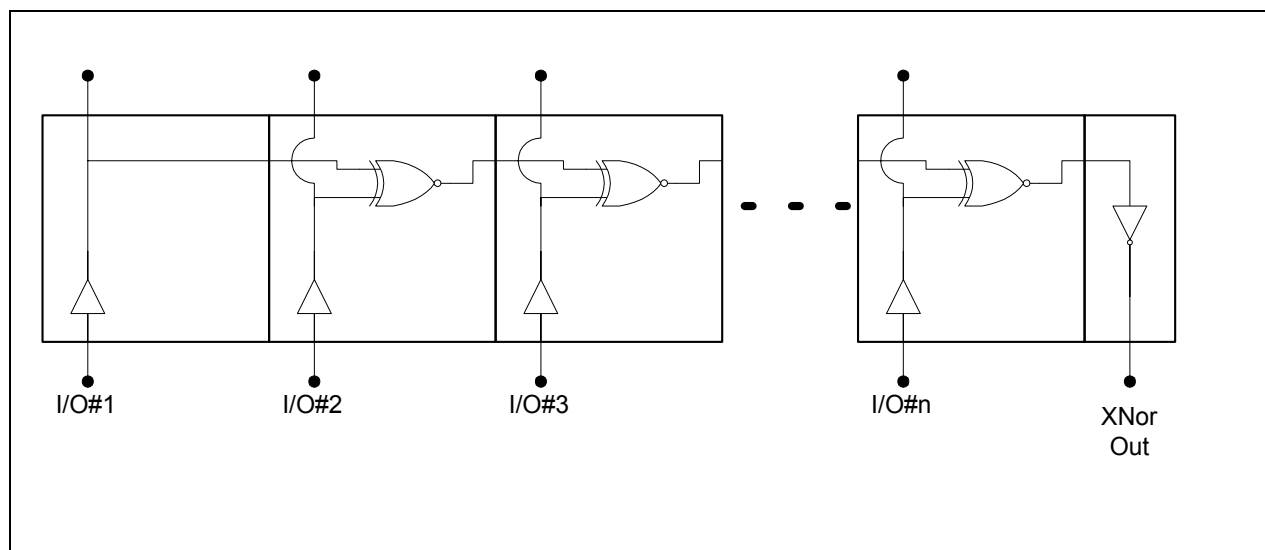


FIGURE 46 - XNOR-CHAIN TEST STRUCTURE

## 16.1 Super I/O Block

### 16.1.1 BOARD TEST MODE

Board test mode can be entered as follows:

On the rising (deasserting) edge of PCI\_RESET#, drive LFRAME# low and drive LAD[0] low.

Exit board test mode as follows:

On the rising (deasserting) edge of PCI\_RESET#, drive either LFRAME# or LAD[0] high.

See the “XNOR-Chain Test Mode” section above for a description of this board test mode.

The PCI\_RESET# pin is not included in the XNOR-Chain. The XNOR-Chain output pin# is 85, TXD1. See the following subsections for more details.

### Pin List of Super I/O XNOR Chain

Pins 1 to 100 on the chip are inputs to the first XNOR chain, with the exception of the following:

1. VCC (pins 53, 65, & 93), VTR (pin 18), and VREF (pin 44).
2. VSS (pins 7, 31, 60, & 76) and AVSS (pin 40).
3. TXD1 (pin 85) This is the chain output.
4. nPCI\_RESET (pin 26).

To put the chip in the first XNOR chain test mode, tie LAD0 (pin 20) and LFRAME# (pin 24) low. Then toggle PCI\_RESET# (pin 26) from a low to a high state. Once the chip is put into XNOR chain test mode, LAD0 (pin 20) and LFRAME# (pin 24) become part of the chain.

To exit the first XNOR chain test mode tie LAD0 (pin 20) or LFRAME# (pin 24) high. Then toggle PCI\_RESET# (pin 26) from a low to a high state. A VCC POR will also cause the XNOR chain test mode to be exited. To verify the test mode has been exited, observe the output at TXD1 (pin 85). Toggling any of the input pins in the chain should not cause its state to change.

### Setup of Super I/O XNOR Chain

**Warning:** Ensure power supply is off during setup.

1. Connect VSS (pins 7, 31, 60, & 76) and AVSS (pin 40) to ground.
2. Connect VCC (pins 53, 65, & 93), VTR (pin 18), and VREF (pin 44) to VCC (3.3V).
3. Connect an oscilloscope or voltmeter to TXD1 (pin 85).
4. All other pins should be tied to ground.

### Testing

1. Turn power on.
2. With LAD0 (pin 20) and LFRAME# (pin 24), low, bring PCI\_RESET# (pin 26) high. The chip is now in XNOR chain test mode. At this point, all inputs to the first XNOR chain are low. The output, on TXD1 (pin 85), should also be low. Refer to INITIAL CONFIG on TRUTH TABLE 1.
3. Bring pin 100 high. The output on TXD1 (pin 85) should go high. Refer to STEP ONE on TRUTH TABLE 1.
4. In descending pin order, bring each input high. The output should switch states each time an input is toggled. Continue until all inputs are high. The output on TXD1 should now be low. Refer to END CONFIG on TRUTH TABLE 1.
5. The current state of the chip is now represented by INITIAL CONFIG in TRUTH TABLE 2.
6. Each input should now be brought low, starting at pin one and continuing in ascending order. Continue until all inputs are low. The output on TXD1 should now be low. Refer to TRUTH TABLE 2.
7. To exit test mode, tie LAD0 (pin 20) OR LFRAME# (pin 24) high, and toggle PCI\_RESET# from a low to a high state.

**TRUTH TABLE 1 - Toggling Inputs in Descending Order**

	PIN 100	PIN 99	PIN 98	PIN 97	PIN 96	PIN ...	PIN 1	OUTPUT PIN 85
INITIAL CONFIG	L	L	L	L	L	L	L	L
STEP 1	H	L	L	L	L	L	L	H
STEP 2	H	H	L	L	L	L	L	L
STEP 3	H	H	H	L	L	L	L	H
STEP 4	H	H	H	H	L	L	L	L
STEP 5	H	H	H	H	H	L	L	H
...	...	...	...	...	...	...	...	...
STEP N	H	H	H	H	H	H	L	H
END CONFIG	H	H	H	H	H	H	H	L



**TRUTH TABLE 2 - Toggling Inputs in Ascending Order**

	PIN 1	PIN 2	PIN 3	PIN 4	PIN 5	PIN ...	PIN 100	OUTPUT PIN 85
INITIAL CONFIG	H	H	H	H	H	H	H	L
STEP 1	L	H	H	H	H	H	H	H
STEP 2	L	L	H	H	H	H	H	L
STEP 3	L	L	L	H	H	H	H	H
STEP 4	L	L	L	L	H	H	H	L
STEP 5	L	L	L	L	L	H	H	H
...	...	...	...	...	...	...	...	...
STEP N	L	L	L	L	L	L	H	H
END CONFIG	L	L	L	L	L	L	L	L

## 16.2 Hardware Monitoring Block

### 16.2.1 BOARD TEST MODE

Board test mode for the Hardware Monitor Block is implemented as an XNOR-chain as described in the subsection below. The XNOR chain for the Hardware Monitor Block is self-contained within the Hardware Monitor Block. The XNOR chain for the rest of the chip is separate from the XNOR chain for the Hardware Monitor Block.

Board test mode for the Hardware Monitoring Block can be entered by programming a '1' to the XNOR\_IN pin at power-up. To exit the test mode, the XNOR\_IN pin should be tied to '0' on the subsequent power up.

### 16.2.2 XNOR-CHAIN TEST MODE

The tests that are performed when the XNOR-Chain test structure is activated require the board-level test hardware to control the device pins and observe the results at the XNOR-Chain output pin. The XNOR-Chain output is on A0/RESET#/THERM#/XNOR\_OUT pin. VCC, GND and all the analog pins are not used as inputs for XNOR-Chain Test.

#### Testing

1. Program a '1' on XNOR\_IN pin. Turn power on. The Hardware Monitor Block is now in XNOR chain test mode. At this point, all inputs to the XNOR chain are low. The output on A0/RESET#/THERM#/XNOR\_OUT will also be high. Refer to INITIAL CONFIG on TRUTH TABLE 3.
2. Bring VID4 pin high. The output on A0/RESET#/THERM#/XNOR\_OUT will go low. Refer to STEP ONE on TRUTH TABLE 3.
3. In descending pin order, bring each input high. The output will switch states each time an input is toggled. Continue until all inputs are high. The output on A0/RESET#/THERM#/XNOR\_OUT will now be low. Refer to END CONFIG on TRUTH TABLE 3.
4. The current state of the Hardware Monitor Block is now represented by INITIAL CONFIG in TRUTH TABLE 4.
5. Each input should now be brought low, starting at pin one and continuing in ascending order. Continue until all inputs are low. The output on A0/RESET#/THERM#/XNOR\_OUT will now be high. Refer to TRUTH TABLE 4.
6. To exit test mode, tie the XNOR\_IN pin low, and power down the Hardware Monitor Block. The Hardware Monitor Block will not be in test mode on the subsequent power-up.

**TRUTH TABLE 3** - Toggling inputs in descending order

	VID4	VID3	VID2	VID1	VID0	SCLK	SDA	XNOR_OUT
INITIAL CONFIG	L	L	L	L	L	L	L	H
STEP 1	H	L	L	L	L	L	L	L
STEP 2	H	H	L	L	L	L	L	H
STEP 3	H	H	H	L	L	L	L	L
STEP 4	H	H	H	H	L	L	L	H
STEP 5	H	H	H	H	H	L	L	L
STEP 6	H	H	H	H	H	H	L	H
END CONFIG	H	H	H	H	H	H	H	L

**TRUTH TABLE 4** - Toggling inputs in ascending order

	SDA	SCLK	VID0	VID1	VID2	VID3	VID4	XNOR_OUT
INITIAL CONFIG	H	H	H	H	H	H	H	L
STEP 1	L	H	H	H	H	H	H	H
STEP 2	L	L	H	H	H	H	H	L
STEP 3	L	L	L	H	H	H	H	H
STEP 4	L	L	L	L	H	H	H	L
STEP 5	L	L	L	L	L	H	H	H
STEP 6	L	L	L	L	L	L	H	L
END CONFIG	L	L	L	L	L	L	L	H

## 17 APPENDIX D - REFERENCE DOCUMENTS

---

1. SMSC Consumer Infrared Communications Controller (CIrCC) V1.X
2. IEEE 1284 Extended Capabilities Port Protocol and ISA Standard, Rev. 1.14, July 14, 1993.
3. Hardware Description of the 8042, Intel 8 bit Embedded Controller Handbook.
4. PCI Bus Power Management Interface Specification, Rev. 1.0, Draft, March 18, 1997.
5. Low Pin Count (LPC) Interface Specification, Revision 1.0, September 29, 1997, Intel Document.
6. Metalious ACPI/Manageability Specification, v1.0, Aril 30, 1999
7. Advanced Configuration and Power Interface Specification, v 1.0
8. SMSC Application Note, AN 8-8: Using the Enhanced Keyboard and Mouse Wakeup Feature in SMSC Super I/O Parts.
9. SMSC Application Note, AN 8-20: Using the Hardware Monitor Feature in SMSC Super I/O Devices.
10. SMSC Application Note, AN 9-3: Application Considerations When Using the Powerdown Feature of SMSC Floppy Disk Controllers.

## 18 LPC47M192 REVISIONS

---

<b>PAGE(S)</b>	<b>SECTION/FIGURE/ENTRY</b>	<b>CORRECTION</b>	<b>DATE REVISED</b>
3	1 - GENERAL DESCRIPTION; Features	Lead-free ordering information added.	03/30/05
220	FIGURE 45 – 128 PIN QFP PACKAGE OUTLINE, 14x20x2.7 BODY, 3.2 MM FOOTPRINT	Updated Package Outline	07/25/02