

E-Series RF 1:1 Transmission Line Transformer 4.5 - 3000 MHz

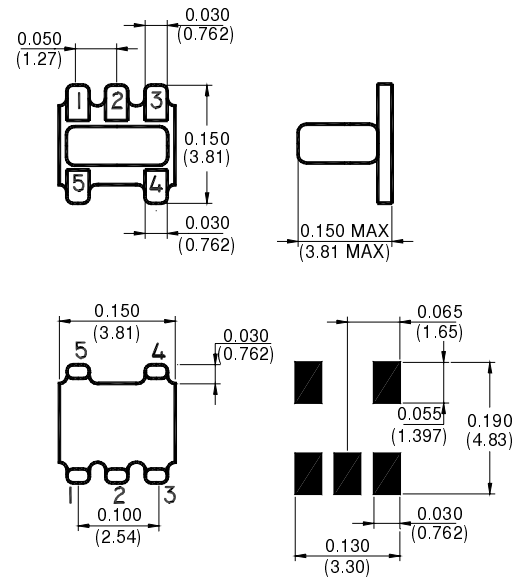


Features

- Surface Mount
- 1:1 Impedance Ratio
- Available on Tape & Reel



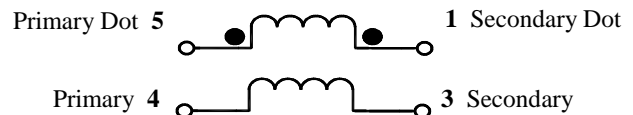
SM-22 Package



Description

M/A-COM's ETC1-1-13 is a 1:1 RF transmission line transformer in a low cost, surface mount package. Ideally suited for high volume cellular and wireless applications.

Schematic



Electrical Specifications @25°C

Parameter	Units	Nominal	Maximum	Mean (x)	Sigma (σ)
Frequency Range 4.5 - 3000	MHz	—	—	—	—
Insertion Loss ($f_L - f_U$)					
4.5 - 1000 MHz	dB	—	1.0	0.32	0.036
1000 - 2000 MHz	dB	—	2.0	—	—
2000 - 3000 MHz	dB	—	3.5	—	—
Amplitude Unbalance					
4.5 - 1000 MHz	dB	—	1.0	—	—
Phase Unbalance					
4.5 - 1000 MHz	Degrees	—	20	—	—

Note: Mean and Sigma calculated from average loss at @ $(f_U - f_L)/2 + f_L$

Please Note that the photograph above indicates typical package only, not actual unit.

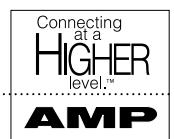
V2.00 S 0831 F



M/A-COM Division of AMP Incorporated ■ North America: Tel. (800) 366-2266, Fax (800) 618-8883 ■ Asia/Pacific: Tel. +85 2 2111 8088, Fax +85 2 2111 8087 ■ Europe: Tel. +44 (1344) 869 595, Fax+44 (1344) 300 020

www.macom.com

AMP and Connecting at a Higher Level are trademarks.
Specifications subject to change without notice.



Absolute Maximum Ratings

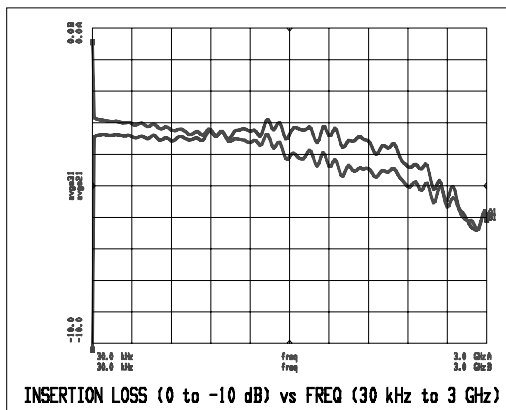
Parameter	Absolute Maximum
RF Power	250 mW
DC Current	30 mA
Operating/Storage Temperature	-40°C to +85°C

Functional Configuration

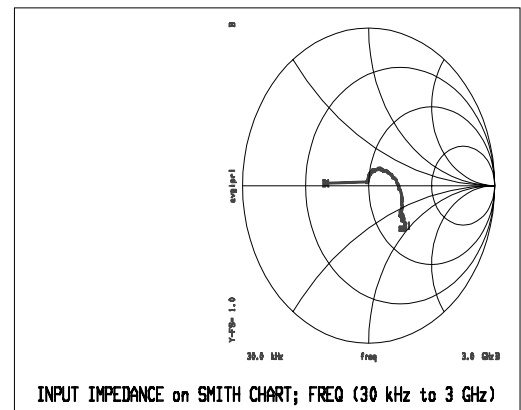
Function	Pin No.
Secondary Dot	1
Not Connected	2
Secondary	3
Primary	4
Primary Dot	5

Typical Performance Over Extended Bandwidth (30kHz - 3.0GHz)

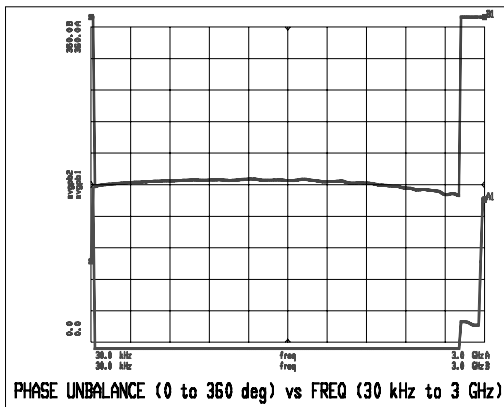
Insertion Loss



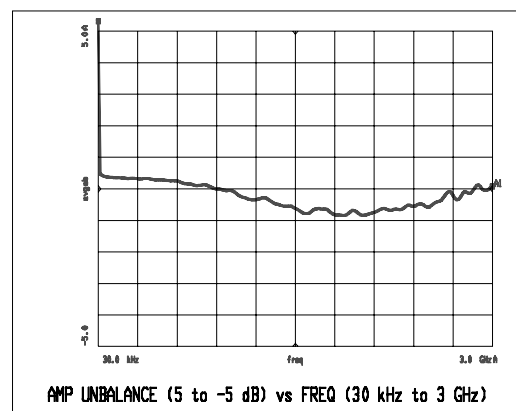
Input Impedance



Phase Unbalance



Amplitude Unbalance



Note: All measurements performed on Hewlett Packard 8753D Network Analyser (201 sample points, linear scale) in a 50 Ohm coplanar waveguide environment. Tables created using MDS software.

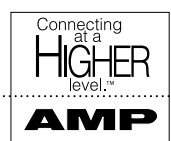
V2.00 S 0831 F



M/A-COM Division of AMP Incorporated ■ North America: Tel. (800) 366-2266, Fax (800) 618-8883 ■ Asia/Pacific: Tel. +85 2 2111 8088, Fax +85 2 2111 8087 ■ Europe: Tel. +44 (1344) 869 595, Fax+44 (1344) 300 020

www.macom.com

AMP and Connecting at a Higher Level are trademarks. Specifications subject to change without notice.



Copyright Each Manufacturing Company.

All Datasheets cannot be modified without permission.

This datasheet has been download from :

www.AllDataSheet.com

100% Free DataSheet Search Site.

Free Download.

No Register.

Fast Search System.

www.AllDataSheet.com