

**PRODUCT SUMMARY**

# CX20536: CDMA and GPS Baseband Analog Processor

## Applications

- Dual-band, dual-mode mobile phones (including E911 capabilities)
- GPS receivers

## Features

- Single supply voltage 2.7 to 3.3 V
- Operational temperature –30 °C to +85 °C
- Low power consumption in all operating modes including sleep operation
- Single mode for CDMA phones, but also with GPS position location capability
- Receive signal path includes:
  - Separate CDMA, GPS filters, and ADCs
  - DC offset correction
- Receive VHF PLL synthesizer:
  - Programmable charge pump current
  - Lock detector output
  - Operate in conjunction with CDMA/GPS mode receive functions
- System clock generation:
  - 19.2, 19.68, and 19.8 MHz system clock support
  - CHIPx8 accepts external CHIPx8 clock (9.8304 MHz or 8.184 MHz)
- Mode control logic for receive/GPS and sleep modes
- Functionality similar to the CX20489 and CX20529, with GPS processing capability
- RFLGA™ (32-pin, 5 x 5 x 1 mm) package

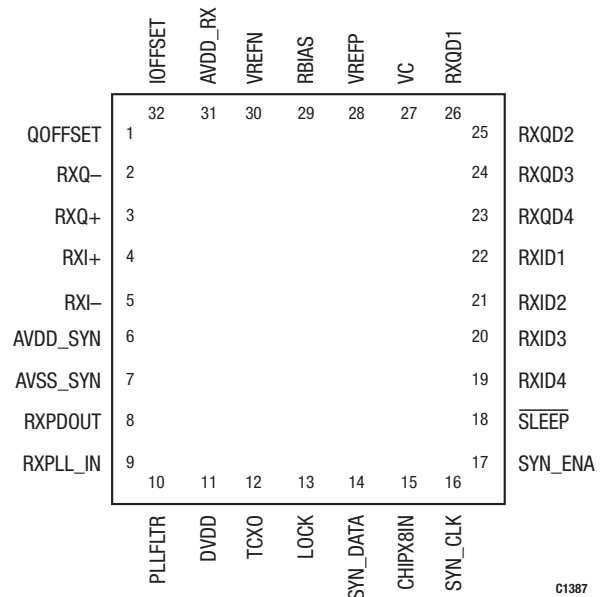
## Description

The CX20536 is a receive-only Code Division Multiple Access (CDMA) and Global Positioning System (GPS) Baseband Analog Processor (BAP) for dual-mode CDMA and GPS-capable portable phones. The device is designed to interface between the receive section and the digital processing circuitry of the telephone.

The CX20536 includes all of the circuitry needed to support receive baseband signal processing and conversions between

analog and digital signals for CDMA and GPS operation. For a given operation, the CX20536 accepts analog In-phase (I) and Quadrature (Q) signals, performs channel selection low-pass filtering, and converts the analog baseband signals into digital signals. For clock generation, the CX20536 includes internal digital and Phase Locked Loop (PLL) clock synthesis for 19.2, 19.68, and 19.8 MHz system clocks. It also provides the capability to accept the CHIPx8 clock from the Mobile Station Modem (MSM) or equivalent baseband device. The CX20536 also integrates a VHF PLL synthesizer to synthesize a receive Intermediate Frequency (IF) Local Oscillator (LO).

The CX20536 operates within a power supply voltage range of 2.7 V to 3.3 V. Power control logic maintains a minimum power consumption. Electrical performance parameters are designed to operate over the –30 °C to +85 °C range. The device is available in a 32-pin, 5 x 5 x 1 mm RF Land Grid Array (RFLGA) package. The device package and pinout are shown in Figure 1. A system block diagram of the CX20536 is shown in Figure 2.



**Figure 1. CX20536 Pinout – 32-Pin RFLGA (Top View)**

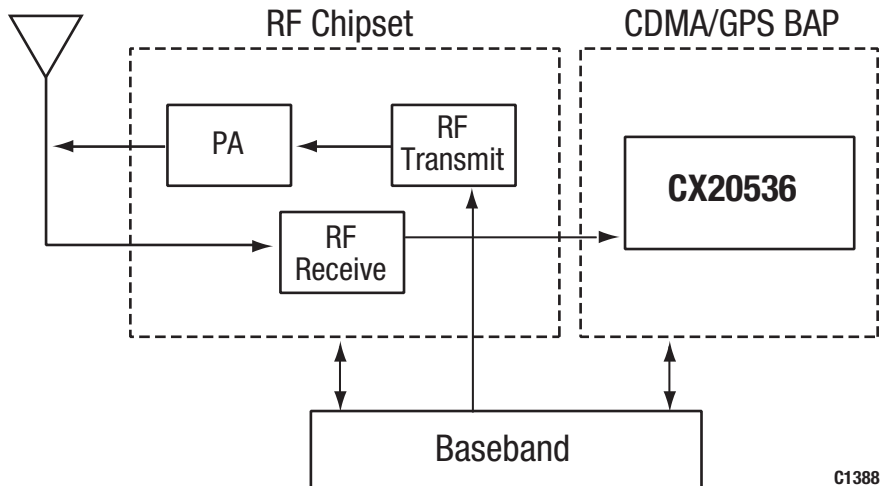


Figure 2. CX20536 System Block Diagram

### Ordering Information

Model Name	Manufacturing Part Number	Product Revision
CX20536 CDMA Baseband Analog Processor	CX20536-12	

Copyright © 2002, 2003, 2005 Skyworks Solutions, Inc. All Rights Reserved.

Information in this document is provided in connection with Skyworks Solutions, Inc. (“Skyworks”) products. These materials are provided by Skyworks as a service to its customers and may be used for informational purposes only by the customer. Skyworks assumes no responsibility for errors or omissions in these materials. Skyworks may make changes to its documentation, products, specifications and product descriptions at any time, without notice. Skyworks makes no commitment to update the information and shall have no responsibility whatsoever for conflicts, incompatibilities, or other difficulties arising from future changes to its documentation, products, specifications and product descriptions.

No license, express or implied, by estoppel or otherwise, to any intellectual property rights is granted by or under this document. Except as may be provided in Skyworks’ Terms and Conditions of Sale for such products, Skyworks assumes no liability whatsoever in association with its documentation, products, specifications and product descriptions.

THESE MATERIALS ARE PROVIDED “AS IS” WITHOUT WARRANTY OF ANY KIND, EITHER EXPRESS OR IMPLIED OR OTHERWISE, RELATING TO SALE AND/OR USE OF SKYWORKS PRODUCTS INCLUDING WARRANTIES RELATING TO FITNESS FOR A PARTICULAR PURPOSE, MERCHANTABILITY, PERFORMANCE, QUALITY OR NON-INFRINGEMENT OF ANY PATENT, COPYRIGHT OR OTHER INTELLECTUAL PROPERTY RIGHT. SKYWORKS FURTHER DOES NOT WARRANT THE ACCURACY OR COMPLETENESS OF THE INFORMATION, TEXT, GRAPHICS OR OTHER ITEMS CONTAINED WITHIN THESE MATERIALS. SKYWORKS SHALL NOT BE LIABLE FOR ANY DAMAGES, INCLUDING SPECIAL, INDIRECT, INCIDENTAL, OR CONSEQUENTIAL DAMAGES, INCLUDING WITHOUT LIMITATION, LOST REVENUES OR LOST PROFITS THAT MAY RESULT FROM THE USE OF THESE MATERIALS WHETHER OR NOT THE RECIPIENT OF MATERIALS HAS BEEN ADVISED OF THE POSSIBILITY OF SUCH DAMAGE.

Skyworks products are not intended for use in medical, lifesaving or life-sustaining applications. Skyworks’ customers using or selling Skyworks products for use in such applications do so at their own risk and agree to fully indemnify Skyworks for any damages resulting from such improper use or sale.

The following are trademarks of Skyworks Solutions, Inc.: Skyworks®, the Skyworks logo, and Breakthrough Simplicity®. Product names or services listed in this publication are for identification purposes only, and may be trademarks of Skyworks or other third parties. Third-party brands and names are the property of their respective owners. Additional information, posted at [www.skyworksinc.com](http://www.skyworksinc.com), is incorporated by reference.