

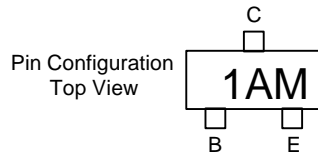


Micro Commercial Components
 21201 Itasca Street Chatsworth
 CA 91311
 Phone: (818) 701-4933
 Fax: (818) 701-4939

MMBT3904

Features

- Surface Mount SOT-23 Package
- Capable of 350mWatts of Power Dissipation



NPN General Purpose Amplifier

Electrical Characteristics @ 25°C Unless Otherwise Specified

| Symbol | Parameter | Min | Max | Units |
|----------------------------|---|-----|-----|-------|
| OFF CHARACTERISTICS | | | | |
| $V_{(BR)CEO}$ | Collector-Emitter Breakdown Voltage* ($I_C=1.0mA$, $I_B=0$) | 40 | | Vdc |
| $V_{(BR)CBO}$ | Collector-Base Breakdown Voltage ($I_C=10\mu A$, $I_E=0$) | 60 | | Vdc |
| $V_{(BR)EBO}$ | Emitter-Base Breakdown Voltage ($I_E=10\mu A$, $I_C=0$) | 5.0 | | Vdc |
| I_{CBO} | Collector Cutoff Current ($V_{CB}=30Vdc$, $V_{BE}=3.0Vdc$) | | 50 | nAdc |
| I_{CEX} | Collector Cutoff Current ($V_{CE}=30Vdc$, $V_{BE}=3.0Vdc$) | | 50 | nAdc |

ON CHARACTERISTICS

| | | | | |
|---------------|---|-----------------------------|--------------|-----|
| h_{FE} | DC Current Gain* ($I_C=0.1mA$, $V_{CE}=1.0Vdc$) ($I_C=1.0mA$, $V_{CE}=1.0Vdc$) ($I_C=10mA$, $V_{CE}=1.0Vdc$) ($I_C=50mA$, $V_{CE}=1.0Vdc$) ($I_C=100mA$, $V_{CE}=1.0Vdc$) | 40 70 100 60 30 | 300 | |
| $V_{CE(sat)}$ | Collector-Emitter Saturation Voltage ($I_C=10mA$, $I_B=1.0mA$) ($I_C=50mA$, $I_B=5.0mA$) | | 0.2 0.3 | Vdc |
| $V_{BE(sat)}$ | Base-Emitter Saturation Voltage ($I_C=10mA$, $I_B=1.0mA$) ($I_C=50mA$, $I_B=5.0mA$) | 0.65 | 0.85 0.95 | Vdc |

SMALL-SIGNAL CHARACTERISTICS

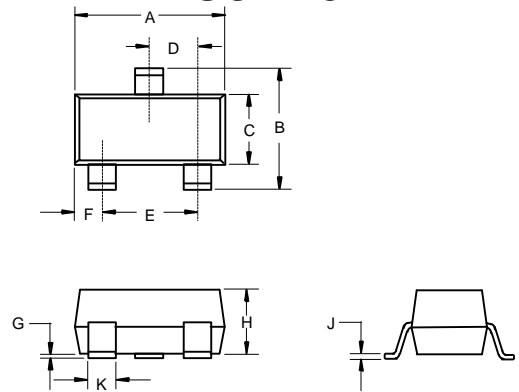
| | | | | |
|-----------|--|-----|-----|-----|
| f_T | Current Gain-Bandwidth Product ($I_C=10mA$, $V_{CE}=20Vdc$, $f=100MHz$) | 300 | | MHz |
| C_{obo} | Output Capacitance ($V_{CB}=5.0Vdc$, $I_E=0$, $f=1.0MHz$) | | 4.0 | pF |
| C_{ibo} | Input Capacitance ($V_{BE}=0.5Vdc$, $I_C=0$, $f=1.0MHz$) | | 8.0 | pF |
| NF | Noise Figure ($I_C=100\mu A$, $V_{CE}=5.0Vdc$, $R_S=1.0k\Omega$, $f=10Hz$ to $15.7kHz$) | | 5.0 | dB |

SWITCHING CHARACTERISTICS

| | | | | |
|-------|--------------|--------------------------------------|-----|----|
| t_d | Delay Time | $(V_{CC}=3.0Vdc$, $V_{BE}=0.5Vdc$) | 35 | ns |
| t_r | Rise Time | $(I_C=10mA$, $I_{B1}=1.0mA$) | 35 | ns |
| t_s | Storage Time | $(V_{CC}=3.0Vdc$, $I_C=10mA$) | 200 | ns |
| t_f | Fall Time | $I_{B1}=I_{B2}=1.0mA$ | 50 | ns |

*Pulse Width $\leq 300\mu s$, Duty Cycle $\leq 2.0\%$

SOT-23



| DIM | INCHES | | MM | | NOTE |
|-----|--------|-------|------|------|------|
| | MIN | MAX | MIN | MAX | |
| A | .110 | .120 | 2.80 | 3.04 | |
| B | .083 | .098 | 2.10 | 2.64 | |
| C | .047 | .055 | 1.20 | 1.40 | |
| D | .035 | .041 | .89 | 1.03 | |
| E | .070 | .081 | 1.78 | 2.05 | |
| F | .018 | .024 | .45 | .60 | |
| G | .0005 | .0039 | .013 | .100 | |
| H | .035 | .044 | .89 | 1.12 | |
| J | .003 | .007 | .085 | .180 | |
| K | .015 | .020 | .37 | .51 | |

Suggested Solder Pad Layout

