

UTCLM79XX LINEAR INTEGRATED CIRCUIT

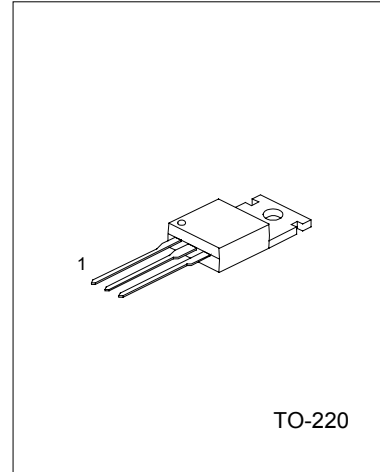
3 TERMINAL 1A NEGATIVE VOLTAGE REGULATOR

DESCRIPTION

The UTC LM79XX series of three-terminal negative regulators are available in TO-220 package and with several fixed output voltage, making them useful in a wide range of application. Each type employs internal current limiting, thermal shut-down and safe area protection, making it essentially indestructible.

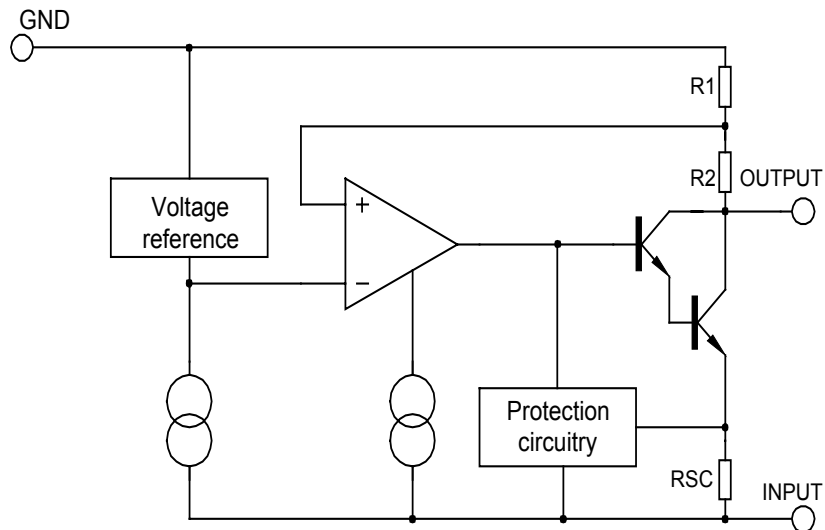
FEATURES

- *Output current up to 1A
- *-5V;-6V;-8V;-12V;-15V;-18V;-24V output voltage available
- *Thermal overload protection
- *Short circuit protection



1:GND 2:Input 3:Output

BLOCK DIAGRAM



UTC LM79XX LINEAR INTEGRATED CIRCUIT

ABSOLUTE MAXIMUM RATINGS(Ta=25°C)

PARAMETER	SYMBOL	VALUE	UNIT
Input voltage	V_i	-35	V
Thermal resistance junction-air	$R_{\theta JA}$	65	°C/W
Thermal resistance junction-cases	$R_{\theta JC}$	5	°C/W
Operating Temperature	T_{opr}	0 ~ +125	°C
Storage Temperature	T_{stg}	-65 ~ +150	°C

UTC7905 ELECTRICAL CHARACTERISTICS

(Refer to test circuits, $0 < T_j < 125^\circ\text{C}$, $I_o = 500\text{mA}$, $V_i = -10\text{V}$, $C_i = 33\mu\text{F}$, $C_o = 1\mu\text{F}$, unless otherwise specified)

PARAMETER	SYMBOL	TEST CONDITIONS	MIN	TYP	MAX	UNIT
Output voltage	V_o	$T_j = 25^\circ\text{C}$	-4.80	-5.0	-5.20	V
		$5.0\text{mA} < I_o < 1.0\text{A}$, $P_o < 15\text{W}$ $V_i = -7\text{V to } -20\text{V}$	-4.75		-5.25	V
Line regulation	ΔV_o	$T_j = 25^\circ\text{C}$, $V_i = -7\text{V to } -25\text{V}$		10	100	mV
		$T_j = 25^\circ\text{C}$, $V_i = -8\text{V to } -12\text{V}$				mV
Load regulation	ΔV_o	$T_j = 25^\circ\text{C}$, $I_o = 5.0\text{mA to } 1.5\text{A}$		10	100	mV
		$T_j = 25^\circ\text{C}$, $I_o = 250\text{mA to } 750\text{mA}$		3	50	mV
Quiescent current	I_q	$T_j = 25^\circ\text{C}$		3	6	mA
Quiescent current change	ΔI_q	$I_o = 5\text{mA to } 1.0\text{A}$		0.05	0.5	mA
		$V_i = -7\text{V to } -25\text{V}$		0.1	1.3	mA
Output voltage drift	$\Delta V_o / \Delta T$	$I_o = 5\text{mA}$		-0.4		mV/°C
Output noise voltage	V_N	$f = 10\text{Hz to } 100\text{kHz}$, $T_a = 25^\circ\text{C}$		100		μV
Ripple rejection	RR	$f = 120\text{Hz}$, $V_i = -8\text{V to } -18\text{V}$	54	60		dB
Dropout voltage	V_o	$I_o = 1.0\text{A}$, $T_j = 25^\circ\text{C}$		2		V
Short circuit current	Isc	$V_i = -35\text{V}$, $T_a = 25^\circ\text{C}$		300		mA
peak current	Ipk	$T_j = 25^\circ\text{C}$		2.2		A

UTC7906 ELECTRICAL CHARACTERISTICS

(Refer to test circuits, $0 < T_j < 125^\circ\text{C}$, $I_o = 500\text{mA}$, $V_i = -11\text{V}$, $C_i = 2.2\mu\text{F}$, $C_o = 1\mu\text{F}$, unless otherwise specified)

PARAMETER	SYMBOL	TEST CONDITIONS	MIN	TYP	MAX	UNIT
Output voltage	V_o	$T_j = 25^\circ\text{C}$	-5.76	-6.00	-6.24	V
		$5.0\text{mA} < I_o < 1.0\text{A}$, $P_o < 15\text{W}$ $V_i = -8\text{V to } -21\text{V}$	-5.70		-6.30	V
Line regulation	ΔV_o	$T_j = 25^\circ\text{C}$, $V_i = -8\text{V to } -25\text{V}$		10	120	mV
		$T_j = 25^\circ\text{C}$, $V_i = -9\text{V to } -13\text{V}$		5	60	mV
Load regulation	ΔV_o	$T_j = 25^\circ\text{C}$, $I_o = 5.0\text{mA to } 1.5\text{A}$		10	120	mV
		$T_j = 25^\circ\text{C}$, $I_o = 250\text{mA to } 750\text{mA}$		3	60	mV
Quiescent current	I_q	$T_j = 25^\circ\text{C}$		3	6	mA
Quiescent current change	ΔI_q	$I_o = 5\text{mA to } 1.0\text{A}$			0.5	mA
		$V_i = -8\text{V to } -25\text{V}$			1.3	mA
Output voltage drift	$\Delta V_o / \Delta T$	$I_o = 5\text{mA}$		-0.5		mV/°C
Output noise voltage	V_N	$f = 10\text{Hz to } 100\text{kHz}$, $T_a = 25^\circ\text{C}$		130		μV
Ripple rejection	RR	$f = 120\text{Hz}$, $V_i = -9\text{V to } -19\text{V}$	54	60		dB
Dropout voltage	V_o	$I_o = 1.0\text{A}$, $T_j = 25^\circ\text{C}$		2		V
Short circuit current	Isc	$V_i = -35\text{V}$, $T_a = 25^\circ\text{C}$		300		mA
peak current	Ipk	$T_j = 25^\circ\text{C}$		2.2		A

UTC LM79XX LINEAR INTEGRATED CIRCUIT

UTC7908 ELECTRICAL CHARACTERISTICS

(Refer to test circuits, $0 < T_j < 125^\circ\text{C}$, $I_o = 500\text{mA}$, $V_i = -14\text{V}$, $C_i = 2.2\mu\text{F}$, $C_o = 1\mu\text{F}$, unless otherwise specified)

PARAMETER	SYMBOL	TEST CONDITIONS	MIN	TYP	MAX	UNIT
Output voltage	V_o	$T_j = 25^\circ\text{C}$	-7.68	-8.0	-8.32	V
		$5.0\text{mA} < I_o < 1.0\text{A}$, $P_o < 15\text{W}$ $V_i = -10.5\text{V}$ to -23V	-7.60		-8.40	V
Line regulation	ΔV_o	$T_j = 25^\circ\text{C}$, $V_i = -10.5\text{V}$ to -25V		10	100	mV
		$T_j = 25^\circ\text{C}$, $V_i = -11.5\text{V}$ to -17V		5	80	mV
Load regulation	ΔV_o	$T_j = 25^\circ\text{C}$, $I_o = 5.0\text{mA}$ to 1.5A		12	160	mV
		$T_j = 25^\circ\text{C}$, $I_o = 250\text{mA}$ to 750mA		4	80	mV
Quiescent current	I_Q	$T_j = 25^\circ\text{C}$		3	6	mA
Quiescent current change	ΔI_Q	$I_o = 5\text{mA}$ to 1.0A		0.05	0.5	mA
		$V_i = -11.5\text{V}$ to -25V		0.1	1.0	mA
Output voltage drift	$\Delta V_o / \Delta T$	$I_o = 5\text{mA}$		-0.6		mV/ $^\circ\text{C}$
Output noise voltage	V_N	$f = 10\text{Hz}$ to 100kHz , $T_a = 25^\circ\text{C}$		175		μV
Ripple rejection	RR	$f = 120\text{Hz}$, $V_i = -11.5\text{V}$ to -21.5V	54	60		dB
Dropout voltage	V_o	$I_o = 1.0\text{A}$, $T_j = 25^\circ\text{C}$		2		V
Short circuit current	I_{sc}	$V_i = -35\text{V}$, $T_a = 25^\circ\text{C}$		300		mA
peak current	I_{pk}	$T_j = 25^\circ\text{C}$		2.2		A

UTC7912 ELECTRICAL CHARACTERISTICS

(Refer to test circuits, $0 < T_j < 125^\circ\text{C}$, $I_o = 500\text{mA}$, $V_i = -18\text{V}$, $C_i = 2.2\mu\text{F}$, $C_o = 1\mu\text{F}$, unless otherwise specified)

PARAMETER	SYMBOL	TEST CONDITIONS	MIN	TYP	MAX	UNIT
Output voltage	V_o	$T_j = 25^\circ\text{C}$	-11.52	-12.0	-12.48	V
		$5.0\text{mA} < I_o < 1.0\text{A}$, $P_o < 15\text{W}$ $V_i = -14.5\text{V}$ to -27V	-11.40		-12.60	V
Line regulation	ΔV_o	$T_j = 25^\circ\text{C}$, $V_i = -14.5\text{V}$ to -30V		12	240	mV
		$T_j = 25^\circ\text{C}$, $V_i = -16\text{V}$ to -22V		6	120	mV
Load regulation	ΔV_o	$T_j = 25^\circ\text{C}$, $I_o = 5.0\text{mA}$ to 1.5A		12	240	mV
		$T_j = 25^\circ\text{C}$, $I_o = 250\text{mA}$ to 750mA		4	120	mV
Quiescent current	I_Q	$T_j = 25^\circ\text{C}$		3	6	mA
Quiescent current change	ΔI_Q	$I_o = 5\text{mA}$ to 1.0A		0.05	0.5	mA
		$V_i = -14.5\text{V}$ to -30V		0.1	1.0	mA
Output voltage drift	$\Delta V_o / \Delta T$	$I_o = 5\text{mA}$		-0.8		mV/ $^\circ\text{C}$
Output noise voltage	V_N	$f = 10\text{Hz}$ to 100kHz , $T_a = 25^\circ\text{C}$		200		μV
Ripple rejection	RR	$f = 120\text{Hz}$, $V_i = -15\text{V}$ to -25V	54	60		dB
Dropout voltage	V_o	$I_o = 1.0\text{A}$, $T_j = 25^\circ\text{C}$		2		V
Short circuit current	I_{sc}	$V_i = -35\text{V}$, $T_a = 25^\circ\text{C}$		300		mA
peak current	I_{pk}	$T_j = 25^\circ\text{C}$		2.2		A

UTC LM79XX LINEAR INTEGRATED CIRCUIT

UTC7915 ELECTRICAL CHARACTERISTICS

(Refer to test circuits, $0 < T_j < 125^\circ\text{C}$, $I_o = 500\text{mA}$, $V_i = -23\text{V}$, $C_i = 2.2\mu\text{F}$, $C_o = 1\mu\text{F}$, unless otherwise specified)

PARAMETER	SYMBOL	TEST CONDITIONS	MIN	TYP	MAX	UNIT
Output voltage	V_o	$T_j = 25^\circ\text{C}$	-14.40	-15.0	-15.60	V
		$5.0\text{mA} < I_o < 1.0\text{A}$, $P_o < 15\text{W}$ $V_i = -17.5\text{V}$ to -30V	-14.25		-15.75	V
Line regulation	ΔV_o	$T_j = 25^\circ\text{C}$, $V_i = -17.5\text{V}$ to -30V		12	300	mV
		$T_j = 25^\circ\text{C}$, $V_i = -20\text{V}$ to -26V		6	150	mV
Load regulation	ΔV_o	$T_j = 25^\circ\text{C}$, $I_o = 5.0\text{mA}$ to 1.5A		12	300	mV
		$T_j = 25^\circ\text{C}$, $I_o = 250\text{mA}$ to 750mA		4	150	mV
Quiescent current	I_Q	$T_j = 25^\circ\text{C}$		3	6	mA
Quiescent current change	ΔI_Q	$I_o = 5\text{mA}$ to 1.0A		0.05	0.5	mA
		$V_i = -17.5\text{V}$ to -30.5V		0.1	1.0	mA
Output voltage drift	$\Delta V_o / \Delta T$	$I_o = 5\text{mA}$		-0.9		mV/ $^\circ\text{C}$
Output noise voltage	V_N	$f = 10\text{Hz}$ to 100kHz , $T_a = 25^\circ\text{C}$		250		μV
Ripple rejection	RR	$f = 120\text{Hz}$, $V_i = -18.5\text{V}$ to -28.5V	54	60		dB
Dropout voltage	V_o	$I_o = 1.0\text{A}$, $T_j = 25^\circ\text{C}$		2		V
Short circuit current	I_{sc}	$V_i = -35\text{V}$, $T_a = 25^\circ\text{C}$		300		mA
peak current	I_{pk}	$T_j = 25^\circ\text{C}$		2.2		A

UTC7918 ELECTRICAL CHARACTERISTICS

(Refer to test circuits, $0 < T_j < 125^\circ\text{C}$, $I_o = 500\text{mA}$, $V_i = -27\text{V}$, $C_i = 2.2\mu\text{F}$, $C_o = 1\mu\text{F}$, unless otherwise specified)

PARAMETER	SYMBOL	TEST CONDITIONS	MIN	TYP	MAX	UNIT
Output voltage	V_o	$T_j = 25^\circ\text{C}$	-17.28	-18.0	-18.72	V
		$5.0\text{mA} < I_o < 1.0\text{A}$, $P_o < 15\text{W}$ $V_i = -21\text{V}$ to -33V	-17.10		-18.90	V
Line regulation	ΔV_o	$T_j = 25^\circ\text{C}$, $V_i = -21\text{V}$ to -33V		15	360	mV
		$T_j = 25^\circ\text{C}$, $V_i = -24\text{V}$ to -30V		8	180	mV
Load regulation	ΔV_o	$T_j = 25^\circ\text{C}$, $I_o = 5.0\text{mA}$ to 1.5A		15	360	mV
		$T_j = 25^\circ\text{C}$, $I_o = 250\text{mA}$ to 750mA		5.0	180	mV
Quiescent current	I_Q	$T_j = 25^\circ\text{C}$		3	6	mA
Quiescent current change	ΔI_Q	$I_o = 5\text{mA}$ to 1.0A			0.5	mA
		$V_i = -21\text{V}$ to -32V			1.0	mA
Output voltage drift	$\Delta V_o / \Delta T$	$I_o = 5\text{mA}$		-1		mV/ $^\circ\text{C}$
Output noise voltage	V_N	$f = 10\text{Hz}$ to 100kHz , $T_a = 25^\circ\text{C}$		300		μV
Ripple rejection	RR	$f = 120\text{Hz}$, $V_i = -22\text{V}$ to -32V	54	60		dB
Dropout voltage	V_o	$I_o = 1.0\text{A}$, $T_j = 25^\circ\text{C}$		2		V
Short circuit current	I_{sc}	$V_i = -35\text{V}$, $T_a = 25^\circ\text{C}$		300		mA
peak current	I_{pk}	$T_j = 25^\circ\text{C}$		2.2		A

UTC LM79XX LINEAR INTEGRATED CIRCUIT

UTC7924 ELECTRICAL CHARACTERISTICS

(Refer to test circuits, $0 < T_j < 125^\circ\text{C}$, $I_o = 500\text{mA}$, $V_i = -33\text{V}$, $C_i = 2.2\mu\text{F}$, $C_o = 1\mu\text{F}$, unless otherwise specified)

PARAMETER	SYMBOL	TEST CONDITIONS	MIN	TYP	MAX	UNIT
Output voltage	V_o	$T_j = 25^\circ\text{C}$	-23.04	-24	-24.96	V
		$5.0\text{mA} < I_o < 1.0\text{A}$, $P_o < 15\text{W}$ $V_i = -27\text{V}$ to -38V	-22.80		-25.20	V
Line regulation	ΔV_o	$T_j = 25^\circ\text{C}$, $V_i = -27\text{V}$ to -38V		15	480	mV
		$T_j = 25^\circ\text{C}$, $V_i = -30\text{V}$ to -36V		8	240	mV
Load regulation	ΔV_o	$T_j = 25^\circ\text{C}$, $I_o = 5.0\text{mA}$ to 1.5A		15	480	mV
		$T_j = 25^\circ\text{C}$, $I_o = 250\text{mA}$ to 750mA		5.0	240	mV
Quiescent current	I_Q	$T_j = 25^\circ\text{C}$		3	6	mA
Quiescent current change	ΔI_Q	$I_o = 5\text{mA}$ to 1.0A			0.5	mA
		$V_i = -27\text{V}$ to -38V			1.0	mA
Output voltage drift	$\Delta V_o / \Delta T$	$I_o = 5\text{mA}$		-1		mV/ $^\circ\text{C}$
Output noise voltage	V_N	$f = 10\text{Hz}$ to 100kHz , $T_a = 25^\circ\text{C}$		400		μV
Ripple rejection	RR	$f = 120\text{Hz}$, $V_i = -28\text{V}$ to -38V	54	60		dB
Dropout voltage	V_o	$I_o = 1.0\text{A}$, $T_j = 25^\circ\text{C}$		2		V
Short circuit current	I_{sc}	$V_i = -35\text{V}$, $T_a = 25^\circ\text{C}$		300		mA
peak current	I_{pk}	$T_j = 25^\circ\text{C}$		2.2		A

APPLICATION CIRCUITS

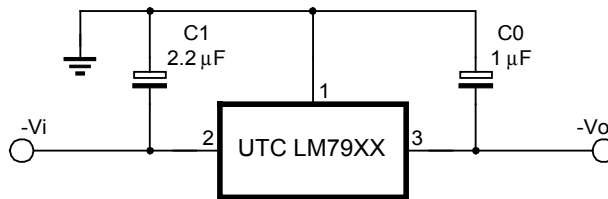


Fig.1 Fixed output regulator

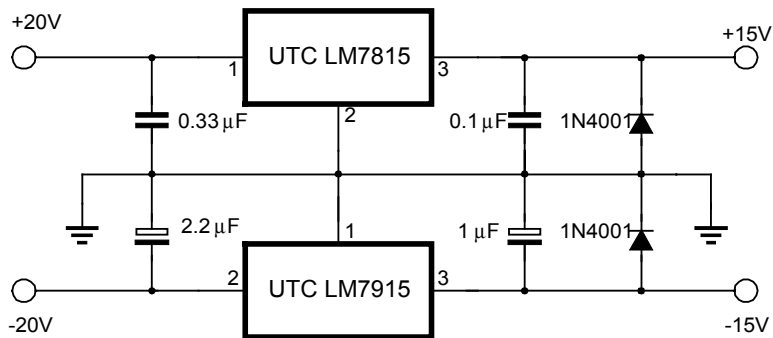


Fig.2 Split power supply(+15V, 1A)

UTC LM79XX LINEAR INTEGRATED CIRCUIT

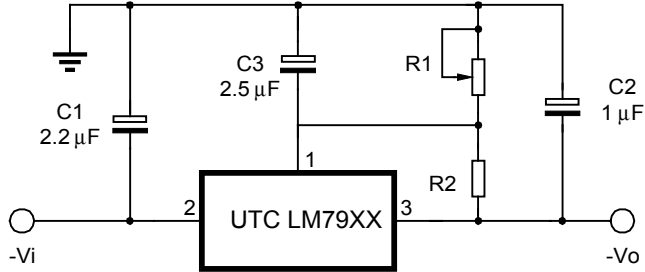


Fig.3 Circuit for increasing output voltage