

The RF Line

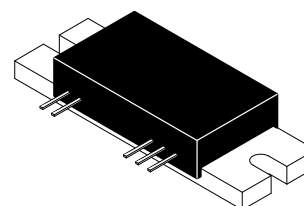
UHF Silicon FET Power Amplifier

Designed specifically for the Pan European Digital Extended EGSM base station applications at 925 – 960 MHz. The MHW930 operates from a 26 volt supply and requires 60 mW of RF input power.

- Specified 26 Volt and 25 °C Characteristics:
 - RF Input Power: 60 mW Max
 - RF Power Gain: 27 dB Min at 30 W Output Power
 - RF Output: 30 Watts Min at 1.0 dB Compression Point
 - Efficiency: 44% Min at 30 Watts Output Power
- 50 Ohm Input/Output Impedances

MHW930

30 W
925–960 MHz
RF POWER AMPLIFIER



CASE 301AB-02, STYLE 1

MAXIMUM RATINGS

Rating	Symbol	Value	Unit
DC Supply Voltage	V_S	28	Vdc
DC Bias Voltage	V_B	28	Vdc
RF Input Power	P_{in}	22	dBm
RF Output Power	P_{out}	50	W
Operating Case Temperature Range	T_C	-10 to +100	°C
Storage Temperature Range	T_{stg}	-30 to +100	°C

ELECTRICAL CHARACTERISTICS ($V_S = 26$ Vdc; $V_{BIAS} = 26$ Vdc; $T_C = +25$ °C; 50 Ω system)

Characteristic	Symbol	Min	Typ	Max	Unit
Frequency Range	BW	925	—	960	MHz
V_{S1} Quiescent Current ($P_{in} = 0$ mW)	I_{qs1}	—	65	—	mA
V_{S2} Quiescent Current ($P_{in} = 0$ mW)	I_{qs2}	—	130	—	mA
Power Gain ($P_{out} = 30$ W) (1)	G_p	27	—	31	dB
Output Power at 1 dB Compression	P_{1dB}	30	35	—	Watts
Efficiency ($P_{out} = 30$ W) (1)	η	44	49	—	%
Input VSWR	$VSWR_{IN}$	—	—	2:1	
Harmonic 2 f_o ($P_{out} = 30$ W) (1)	H_2	—	—	-35	dBc
Harmonic 3 f_o ($P_{out} = 30$ W) (1)	H_3	—	—	-45	dBc
Reverse Intermodulation Distortion ($P_{carrier} = 30$ W; $P_{interferer}$ at -70 dBc; $f_i = f_c \pm 600$ kHz) (1)	IMR	—	—	-80	dBc
Load Mismatch Stress ($P_{out} = 30$ W; Load VSWR = 10:1; All Phase Angles)	ψ	No Degradation in Output Power			
Stability ($P_{out} = 10$ mW – 30 W; Load VSWR = 3:1; All Phase Angles; $T_C = -10$ °C to 85°C)		All Spurious Outputs More than 70 dB Below Desired Signal			

(1) Adjust P_{in} for specified P_{out} .

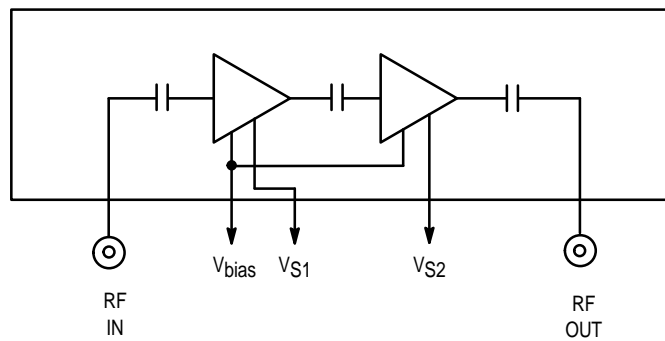
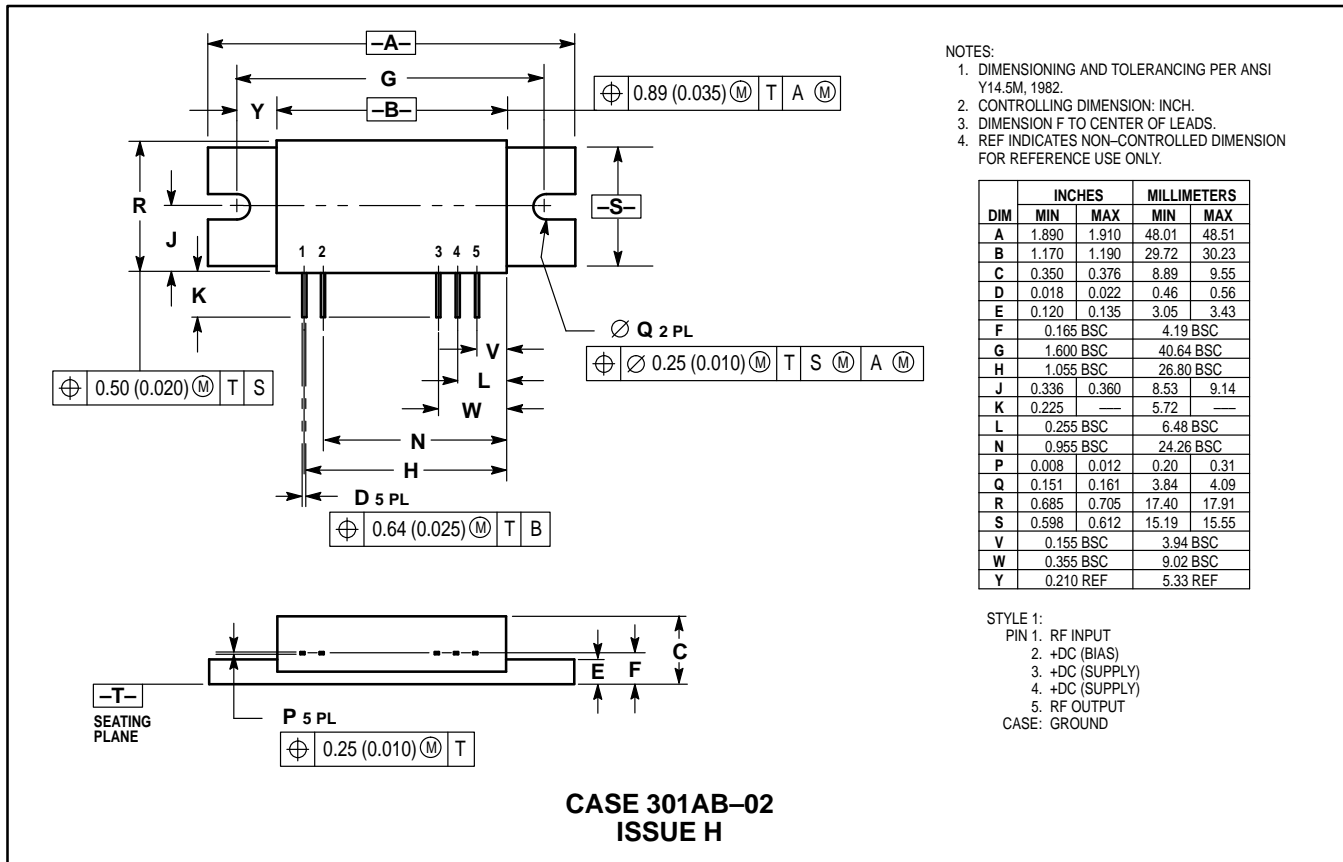


Figure 1. MHW930 Internal Diagram

PACKAGE DIMENSIONS



Motorola reserves the right to make changes without further notice to any products herein. Motorola makes no warranty, representation or guarantee regarding the suitability of its products for any particular purpose, nor does Motorola assume any liability arising out of the application or use of any product or circuit, and specifically disclaims any and all liability, including without limitation consequential or incidental damages. "Typical" parameters which may be provided in Motorola data sheets and/or specifications can and do vary in different applications and actual performance may vary over time. All operating parameters, including "Typicals" must be validated for each customer application by customer's technical experts. Motorola does not convey any license under its patent rights nor the rights of others. Motorola products are not designed, intended, or authorized for use as components in systems intended for surgical implant into the body, or other applications intended to support or sustain life, or for any other application in which the failure of the Motorola product could create a situation where personal injury or death may occur. Should Buyer purchase or use Motorola products for any such unintended or unauthorized application, Buyer shall indemnify and hold Motorola and its officers, employees, subsidiaries, affiliates, and distributors harmless against all claims, costs, damages, and expenses, and reasonable attorney fees arising out of, directly or indirectly, any claim of personal injury or death associated with such unintended or unauthorized use, even if such claim alleges that Motorola was negligent regarding the design or manufacture of the part. Motorola and are registered trademarks of Motorola, Inc. Motorola, Inc. is an Equal Opportunity/Affirmative Action Employer.

Mfax is a trademark of Motorola, Inc.

How to reach us:

USA/EUROPE/Locations Not Listed: Motorola Literature Distribution;
 P.O. Box 5405, Denver, Colorado 80217. 1-303-675-2140 or 1-800-441-2447

JAPAN: Nippon Motorola Ltd.: SPD, Strategic Planning Office, 4-32-1,
 Nishi-Gotanda, Shinagawa-ku, Tokyo 141, Japan. 81-3-5487-8488

Customer Focus Center: 1-800-521-6274

Mfax™: RMFAX0@email.sps.mot.com – TOUCHTONE 1-602-244-6609
 Motorola Fax Back System – US & Canada ONLY 1-800-774-1848
 – http://sps.motorola.com/mfax/

ASIA/PACIFIC: Motorola Semiconductors H.K. Ltd.; 8B Tai Ping Industrial Park,
 51 Ting Kok Road, Tai Po, N.T., Hong Kong. 852-26629298

HOME PAGE: http://motorola.com/sps/

