

Am73/8307 • Am73/8308

Octal Three-State Bidirectional Bus Transceivers

DISTINCTIVE CHARACTERISTICS

- 8-bit bidirectional data flow reduces system package count
- 3-state inputs/outputs for interfacing with bus-oriented systems
- PNP inputs reduce input loading
- $V_{CC} - 1.15V$ V_{OH} interfaces with TTL, MOS, and CMOS
- 48mA, 300pF bus drive capability
- Am73/8307 has inverting transceivers
- Am73/8308 has noninverting transceivers
- Separate $\overline{TRANSMIT}$ and $\overline{RECEIVE}$ Enables
- 20 pin ceramic and molded DIP package
- Low power – 8mA per bidirectional bit
- Advanced Schottky processing
- Bus port stays in hi-impedance state during power up/down
- 100% product assurance screening to MIL-STD-883 requirements

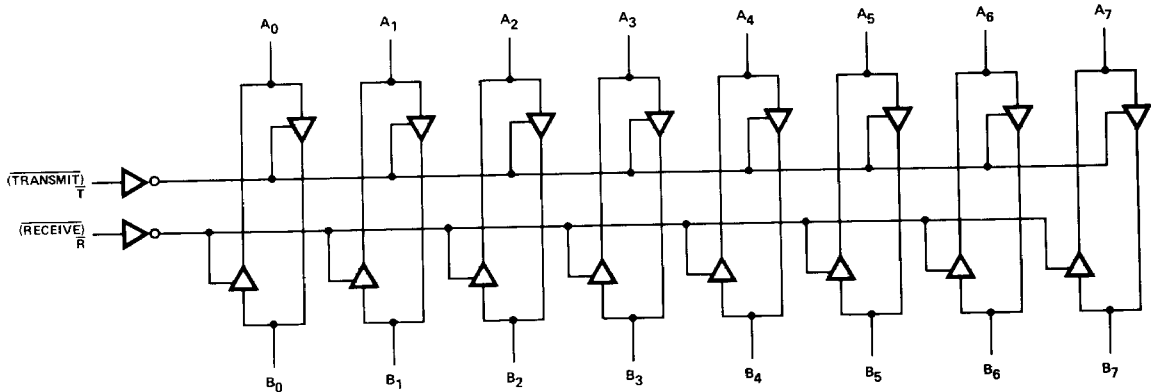
GENERAL DESCRIPTION

The Am73/8307 and Am73/8308 are 8-bit, 3-state Schottky transceivers. They provide bidirectional drive for bus-oriented microprocessor and digital communications systems. Straight through bidirectional transceivers are featured, with 16mA drive capability on the A ports and 48mA bus drive capability on the B ports. PNP inputs are incorporated to reduce input loading.

Separate $\overline{TRANSMIT}$ and $\overline{RECEIVE}$ Enables are provided for microprocessor system with separated read and write control bus lines.

The output high voltage (V_{OH}) is specified at $V_{CC} - 1.15V$ minimum to allow interfacing with MOS, CMOS, TTL, ROM RAM, or microprocessors.

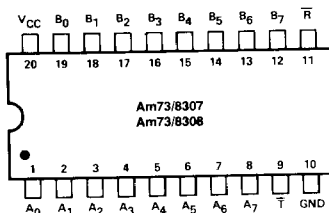
Am73/8308 LOGIC DIAGRAM



Am73/8307 has inverting transceivers

BLI-177

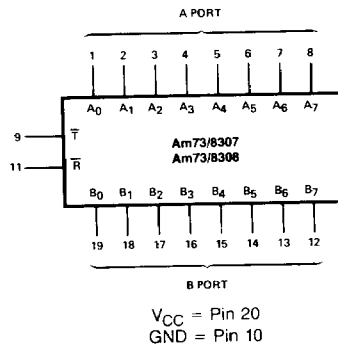
CONNECTION DIAGRAM Top View



Note: Pin 1 is marked for orientation.
Am73/8307 is inverting from A_i to B_i

BLI-178

LOGIC SYMBOL



BLI-179

12

ABSOLUTE MAXIMUM RATINGS (Above which the useful life may be impaired)

Storage Temperature	-65 to +150°C
Supply Voltage	7.0V
Input Voltage	5.5V
Output Voltage	5.5V
Lead Temperature (Soldering, 10 seconds)	300°C

ELECTRICAL CHARACTERISTICS

The Following Conditions Apply Unless Otherwise Noted:

MIL	$T_A = -55$ to $+125^\circ\text{C}$	$V_{CC\text{ MIN}} = 4.5\text{V}$	$V_{CC\text{ MAX}} = 5.5\text{V}$
COM'L	$T_A = 0$ to $+70^\circ\text{C}$	$V_{CC\text{ MIN}} = 4.75\text{V}$	$V_{CC\text{ MAX}} = 5.25\text{V}$

DC ELECTRICAL CHARACTERISTICS over operating temperature range

Parameters	Description	Test Conditions	Min	Typ (Note 1)	Max	Units	
A PORT (A₀-A₇)							
V _{IH}	Logical "1" Input Voltage	$\bar{T} = 0.8\text{V}, \bar{R} = 2.0\text{V}$	2.0			Volts	
V _{IL}	Logical "0" Input Voltage	$\bar{T} = 0.8\text{V}, \bar{R} = 2.0\text{V}$	COM'L		0.8	Volts	
			MIL		0.7		
V _{OH}	Logical "1" Output Voltage	$\bar{T} = 2.0\text{V}, \bar{R} = 0.8\text{V}$	I _{OH} = -0.4mA	V _{CC} -1.15	V _{CC} -0.7	Volts	
			I _{OH} = -3.0mA	2.7	3.95		
V _{OL}	Logical "0" Output Voltage	$\bar{T} = 2.0\text{V}, \bar{R} = 0.8\text{V}$	I _{OL} = 8mA		0.3	0.4	Volts
			COM'L I _{OL} = 16mA		0.35	0.50	
I _{OS}	Output Short Circuit Current	$\bar{T} = 2.0\text{V}, \bar{R} = 0.8\text{V}, V_O = 0\text{V}, V_{CC} = \text{MAX}, \text{Note 2}$	-10	-38	-75	mA	
I _{IH}	Logical "1" Input Current	$\bar{T} = 0.8\text{V}, \bar{R} = 2.0\text{V}, V_I = 2.7\text{V}$		0.1	80	μA	
I _I	Input Current at Maximum Input Voltage	$\bar{T} = \bar{R} = 2.0\text{V}, V_{CC} = \text{MAX}, V_I = V_{CC\text{ MAX}}$			1	mA	
I _{IL}	Logical "0" Input Current	$\bar{T} = 0.8\text{V}, \bar{R} = 2.0\text{V}, V_I = 0.4\text{V}$		-70	-200	μA	
V _C	Input Clamp Voltage	$\bar{T} = \bar{R} = 2.0\text{V}, I_{IN} = -12\text{mA}$		-0.7	-1.5	Volts	
I _{OD}	Output/Input 3-State Current	$\bar{T} = \bar{R} = 2.0\text{V}$	V _O = 0.4V			-200	μA
			V _O = 4.0V			80	
B PORT (B₀-B₇)							
V _{IH}	Logical "1" Input Voltage	$\bar{T} = 2.0\text{V}, \bar{R} = 0.8\text{V}$	2.0			Volts	
V _{IL}	Logical "0" Input Voltage	$\bar{T} = 2.0\text{V}, \bar{R} = 0.8\text{V}$	COM'L		0.8	Volts	
			MIL		0.7		
V _{OH}	Logical "1" Output Voltage	$\bar{T} = 0.8\text{V}, \bar{R} = 2.0\text{V}$	I _{OH} = -0.4mA	V _{CC} -1.15	V _{CC} -0.8	Volts	
			I _{OH} = -5.0mA	2.7	3.9		
			I _{OH} = -10mA	2.4	3.6		
V _{OL}	Logical "0" Output Voltage	$\bar{T} = 0.8\text{V}, \bar{R} = 2.0\text{V}$	I _{OL} = 20mA		0.3	0.4	Volts
			I _{OL} = 48mA		0.4	0.5	
I _{OS}	Output Short Circuit Current	$\bar{T} = 0.8\text{V}, \bar{R} = 2.0\text{V}, V_O = 0\text{V}, V_{CC} = \text{MAX}, \text{Note 2}$	-25	-50	-150	mA	
I _{IH}	Logical "1" Input Current	$\bar{T} = 2.0\text{V}, \bar{R} = 0.8\text{V}, V_I = 2.7\text{V}$		0.1	80	μA	
I _I	Input Current at Maximum Input Voltage	$\bar{T} = \bar{R} = 2.0\text{V}, V_{CC} = \text{MAX}, V_I = V_{CC\text{ MAX}}$			1	mA	
I _{IL}	Logical "0" Input Current	$\bar{T} = 2.0\text{V}, \bar{R} = 0.8\text{V}, V_I = 0.4\text{V}$		-70	-200	μA	
V _C	Input Clamp Voltage	$\bar{T} = \bar{R} = 2.0\text{V}, I_{IN} = -12\text{mA}$		-0.7	-1.5	Volts	
I _{OD}	Output/Input 3-State Current	$\bar{T} = \bar{R} = 2.0\text{V}$	V _O = 0.4V			-200	μA
			V _O = 4.0V			200	
CONTROL INPUTS \bar{T}, \bar{R}							
V _{IH}	Logical "1" Input Voltage		2.0			Volts	
V _{IL}	Logical "0" Input Voltage		COM'L		0.8	Volts	
			MIL		0.7		
I _{IH}	Logical "1" Input Current	V _I = 2.7V		0.5	20	μA	
I _I	Input Current at Maximum Input Voltage	V _{CC} = MAX, V _I = V _{CC} MAX			1.0	mA	
I _{IL}	Logical "0" Input Current	V _I = 0.4V	\bar{R}		-0.1	-0.25	mA
			\bar{T}		-0.25	-0.5	
V _C	Input Clamp Voltage	I _{IN} = -12mA		-0.8	-1.5	Volts	
POWER SUPPLY CURRENT							
I _{CC}	Power Supply Current	Am73/8307	$\bar{T} = \bar{R} = 2.0\text{V}, V_I = 2.0\text{V}, V_{CC} = \text{MAX}$	70	100	mA	
			$\bar{T} = 0.4\text{V}, V_{INA} = \bar{R} = 2.0\text{V}, V_{CC} = \text{MAX}$	100	150		
		Am73/8308	$\bar{T} = \bar{R} = 2.0\text{V}, V_I = 0.4\text{V}, V_{CC} = \text{MAX}$	70	100	mA	
			$\bar{T} = V_{INA} = 0.4\text{V}, \bar{R} = 2.0\text{V}, V_{CC} = \text{MAX}$	90	140		

AC ELECTRICAL CHARACTERISTICS ($V_{CC} = 5.0V$, $T_A = 25^\circ C$)

Parameter	Description	Test Conditions	Typ	Max	Units
A PORT DATA/MODE SPECIFICATIONS					
t_{PDHLA}	Propagation Delay to a Logical "0" from B Port to A Port	$\bar{T} = 2.4V$, $\bar{R} = 0.4V$ (Figure A) $R_1 = 1k$, $R_2 = 5k$, $C_1 = 30pF$	8	12	ns
t_{PDLHA}	Propagation Delay to a Logical "1" from B Port to A Port	$\bar{T} = 2.4V$, $\bar{R} = 0.4V$ (Figure A) $R_1 = 1k$, $R_2 = 5k$, $C_1 = 30pF$	11	16	ns
t_{PLZA}	Propagation Delay from a Logical "0" to 3-State from \bar{R} to A Port	B_0 to $B_7 = 2.4V$, $\bar{T} = 2.4V$ (Figure B) $S_3 = 1$, $R_5 = 1k$, $C_4 = 15pF$	10	15	ns
t_{PHZA}	Propagation Delay from a Logical "1" to 3-State from \bar{R} to A Port	B_0 to $B_7 = 0.4V$, $\bar{T} = 2.4V$ (Figure B) $S_3 = 0$, $R_5 = 1k$, $C_4 = 15pF$	8	15	ns
t_{PZLA}	Propagation Delay from 3-State to a Logical "0" from \bar{R} to A Port	B_0 to $B_7 = 2.4V$, $\bar{T} = 2.4V$ (Figure B) $S_3 = 1$, $R_5 = 1k$, $C_4 = 30pF$	25	35	ns
t_{PZHA}	Propagation Delay from 3-State to a Logical "1" from \bar{R} to A Port	B_0 to $B_7 = 0.4V$, $\bar{T} = 2.4V$ (Figure B) $S_3 = 0$, $R_5 = 5k$, $C_4 = 30pF$	24	35	ns
B PORT DATA/MODE SPECIFICATIONS					
t_{PDHLB}	Propagation Delay to a Logical "0" from A Port to B Port	$\bar{T} = 0.4V$, $\bar{R} = 2.4V$ (Figure A) $R_1 = 100\Omega$, $R_2 = 1k$, $C_1 = 300pF$	12	18	ns
		$R_1 = 667\Omega$, $R_2 = 5k$, $C_1 = 45pF$	8	12	ns
t_{PDLHB}	Propagation Delay to a Logical "1" from A Port to B Port	$\bar{T} = 0.4V$, $\bar{R} = 2.4V$ (Figure A) $R_1 = 100\Omega$, $R_2 = 1k$, $C_1 = 300pF$	15	23	ns
		$R_1 = 667\Omega$, $R_2 = 5k$, $C_1 = 45pF$	9	14	ns
t_{PLZB}	Propagation Delay from a Logical "0" to 3-State from \bar{T} to B Port	A_0 to $A_7 = 2.4V$, $\bar{R} = 2.4V$ (Figure B) $S_3 = 1$, $R_5 = 1k$, $C_4 = 15pF$	13	18	ns
t_{PHZB}	Propagation Delay from a Logical "1" to 3-State from \bar{T} to B Port	A_0 to $A_7 = 0.4V$, $\bar{R} = 2.4V$ (Figure B) $S_3 = 0$, $R_5 = 1k$, $C_4 = 15pF$	8	15	ns
t_{PZLB}	Propagation Delay from 3-State to a Logical "0" from \bar{T} to B Port	A_0 to $A_7 = 2.4V$, $\bar{R} = 2.4V$ (Figure B) $S_3 = 1$, $R_5 = 100\Omega$, $C_4 = 300pF$	32	40	ns
		$S_3 = 1$, $R_5 = 667\Omega$, $C_4 = 45pF$	18	25	ns
t_{PZHB}	Propagation Delay from 3-State to a Logical "1" from \bar{T} to B Port	A_0 to $A_7 = 0.4V$, $\bar{R} = 2.4V$ (Figure B) $S_3 = 0$, $R_5 = 1k$, $C_4 = 300pF$	25	35	ns
		$S_3 = 0$, $R_5 = 5k$, $C_4 = 45pF$	16	25	ns

FUNCTION TABLE

Control Inputs		Resulting Conditions	
\bar{T} Transmit	\bar{R} Receive	A Port	B Port
1	0	Out	In
0	1	In	Out
1	1	3-State	3-State
0	0	Both Active*	

*This is not an intended logic condition and may cause oscillations.

AC ELECTRICAL CHARACTERISTICS ($V_{CC} = 5.0V$, $T_A = 25^{\circ}C$)

Parameter	Description	Test Conditions	Typ	Max	Units
A PORT DATA/MODE SPECIFICATIONS					
t_{PDHLA}	Propagation Delay to a Logical "0" from B Port to A Port	$\bar{T} = 2.4V$, $\bar{R} = 0.4V$ (Figure A) $R_1 = 1k$, $R_2 = 5k$, $C_1 = 30pF$	14	18	ns
t_{PDLHA}	Propagation Delay to a Logical "1" from B Port to A Port	$\bar{T} = 2.4V$, $\bar{R} = 0.4V$ (Figure A) $R_1 = 1k$, $R_2 = 5k$, $C_1 = 30pF$	13	18	ns
t_{PLZA}	Propagation Delay from a Logical "0" to 3-State from \bar{R} to A Port	B_0 to $B_7 = 0.4V$, $\bar{T} = 2.4V$ (Figure B) $S_3 = 1$, $R_5 = 1k$, $C_4 = 15pF$	11	15	ns
t_{PHZA}	Propagation Delay from a Logical "1" to 3-State from \bar{R} to A Port	B_0 to $B_7 = 2.4V$, $\bar{T} = 2.4V$ (Figure B) $S_3 = 0$, $R_5 = 1k$, $C_4 = 15pF$	8	15	ns
t_{PZLA}	Propagation Delay from 3-State to a Logical "0" from \bar{R} to A Port	B_0 to $B_7 = 0.4V$, $\bar{T} = 2.4V$ (Figure B) $S_3 = 1$, $R_5 = 1k$, $C_4 = 30pF$	24	35	ns
t_{PZHA}	Propagation Delay from 3-State to a Logical "1" from \bar{R} to A Port	B_0 to $B_7 = 2.4V$, $\bar{T} = 2.4V$ (Figure B) $S_3 = 0$, $R_5 = 5k$, $C_4 = 30pF$	21	30	ns
B PORT DATA/MODE SPECIFICATIONS					
t_{PDHLB}	Propagation Delay to a Logical "0" from A Port to B Port	$\bar{T} = 0.4V$, $\bar{R} = 2.4V$ (Figure A) $R_1 = 100\Omega$, $R_2 = 1k$, $C_1 = 300pF$	18	23	ns
		$R_1 = 667\Omega$, $R_2 = 5k$, $C_1 = 45pF$	11	18	ns
t_{PDLHB}	Propagation Delay to a Logical "1" from A Port to B Port	$\bar{T} = 0.4V$, $\bar{R} = 2.4V$ (Figure A) $R_1 = 100\Omega$, $R_2 = 1k$, $C_1 = 300pF$	16	23	ns
		$R_1 = 667\Omega$, $R_2 = 5k$, $C_1 = 45pF$	11	18	ns
t_{PLZB}	Propagation Delay from a Logical "0" to 3-State from \bar{T} to B Port	A_0 to $A_7 = 0.4V$, $\bar{R} = 2.4V$ (Figure B) $S_3 = 1$, $R_5 = 1k$, $C_4 = 15pF$	13	18	ns
t_{PHZB}	Propagation Delay from a Logical "1" to 3-State from \bar{T} to B Port	A_0 to $A_7 = 2.4V$, $\bar{R} = 2.4V$ (Figure B) $S_3 = 0$, $R_5 = 1k$, $C_4 = 15pF$	8	15	ns
t_{PZLB}	Propagation Delay from 3-State to a Logical "0" from \bar{T} to B Port	A_0 to $A_7 = 0.4V$, $\bar{R} = 2.4V$ (Figure B) $S_3 = 1$, $R_5 = 100\Omega$, $C_4 = 300pF$	25	35	ns
		$S_3 = 1$, $R_5 = 667\Omega$, $C_4 = 45pF$	17	25	ns
t_{PZHB}	Propagation Delay from 3-State to a Logical "1" from \bar{T} to B Port	A_0 to $A_7 = 2.4V$, $\bar{R} = 2.4V$ (Figure B) $S_3 = 0$, $R_5 = 1k$, $C_4 = 300pF$	24	35	ns
		$S_3 = 0$, $R_5 = 5k$, $C_4 = 45pF$	17	25	ns

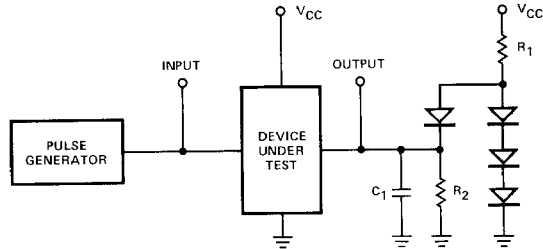
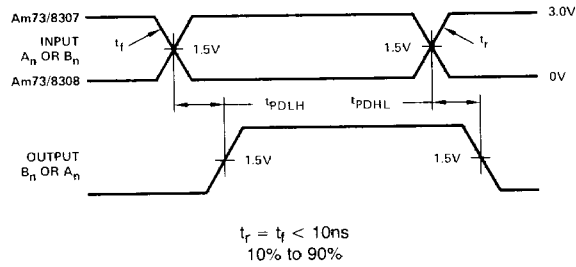
DEFINITION OF FUNCTIONAL TERMS

A₀-A₇ A port inputs/outputs are receiver output drivers when $\bar{Receive}$ is LOW and $\bar{Transmit}$ is HIGH, and are transmit inputs when $\bar{Receive}$ is HIGH and $\bar{Transmit}$ is LOW.

B₀-B₇ B port inputs/outputs are transmit output drivers when $\bar{Transmit}$ is LOW and $\bar{Receive}$ is HIGH, and are receiver inputs when $\bar{Transmit}$ is HIGH and $\bar{Receive}$ is LOW.

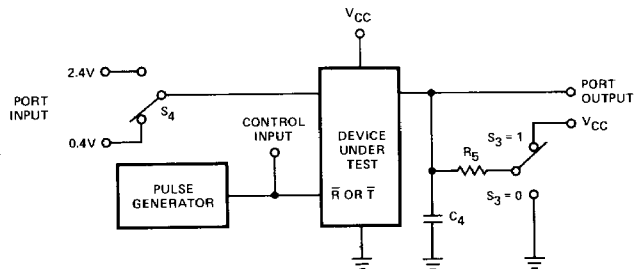
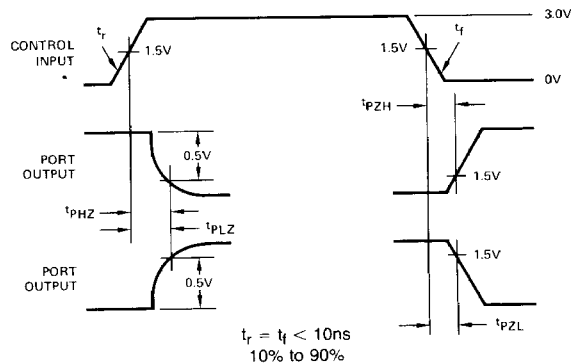
$\bar{Transmit}$, $\bar{Receive}$ These controls determine whether A port and B port drivers are in 3-state. With both $\bar{Transmit}$ and $\bar{Receive}$ HIGH both ports are in 3-state. $\bar{Transmit}$ and $\bar{Receive}$ both LOW activate both drivers and may cause oscillations. This is not an intended logic condition. With $\bar{Transmit}$ HIGH and $\bar{Receive}$ LOW A port is the output and B port is the input. With $\bar{Transmit}$ LOW and $\bar{Receive}$ HIGH B port is the output and A port is the input.

SWITCHING TIME WAVEFORMS AND AC TEST CIRCUITS



Note: C₁ includes test fixture capacitance.

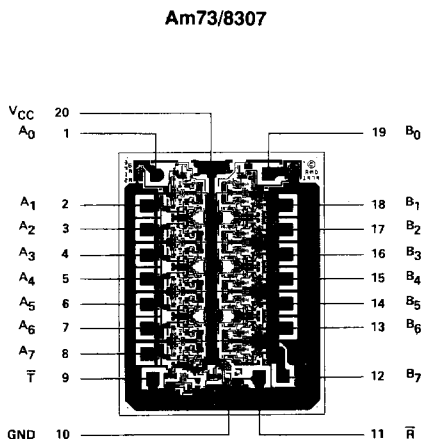
Figure A. Propagation Delay from A Port to B Port or from B Port to A Port



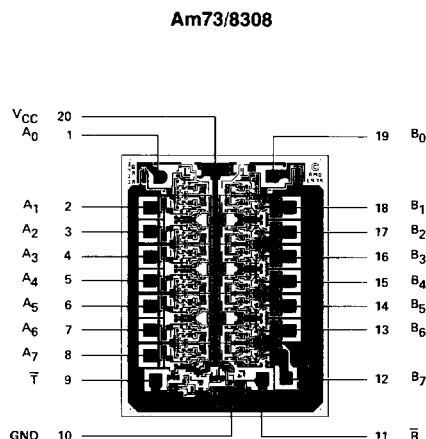
Note: C₄ includes test fixture capacitance. Port input is in a fixed logical condition. See AC table.

Figure B. Propagation Delay to/from Three-State from \bar{R} to A Port and \bar{T} to B Port

Metallization and Pad Layouts



DIE SIZE .069" X .089"



DIE SIZE .069" X .089"

ORDERING INFORMATION

Order the part number according to the table below to obtain the desired package, temperature range and screening level.

Am73/8307 Order Number	Am73/8308 Order Number	Package Type (Note 1)	Operating Range (Note 2)	Screening Level (Note 3)
DP7307J	DP7308J	D-20	M	C-3
DP7307JB	DP7308JB	D-20	M	B-3
DP8307J	DP8308J	D-20	C	C-1
DP8307JB	DP8308JB	D-20	C	B-1
DP8307N	DP8308N	P-20	C	C-1
DP8307NB	DP8308NB	P-20	C	B-1
AM7307X	AM7308X	Dice	M	Visual Inspection to MIL-STD-883 Method 20103
AM8307X	AM8308X	Dice	C	

- Notes: 1. P = Molded DIP, D = Hermetic DIP, F = Flatpack. Number following letter is number of leads.
 2. C = 0 to 70°C, V_{CC} = 4.75 to 5.25V, M = -55 to +125°C, V_{CC} = 4.50 to 5.50V.
 3. Levels C-1 and C-3 conform to MIL-STD-883, Class C. Level B-3 conforms to MIL-STD-883, Class B.