

Single 16-Channel/Differential 8-Channel CMOS Analog Multiplexers

April 1997

Features

- This Circuit is Processed in Accordance to MIL-STD-883 and is Fully Conformant Under the Provisions of Paragraph 1.2.1.
- ON-Resistance 100Ω (Max)
- Low Power Consumption ($P_D < 1.2\text{mW}$)
- Fast Transition Time (300ns Max)
- Low Charge Injection
- TTL, CMOS Compatible
- Single or Split Supply Operation

Applications

- Battery Operated Systems
- Data Acquisition
- Medical Instrumentation
- Hi-Rel Systems
- Communication Systems
- Automatic Test Equipment

Ordering Information

PART NUMBER	TEMP. RANGE (°C)	PACKAGE	PKG. NO.
DG406AK/883	-55 to 125	28 Ld CERDIP	F28.6
DG407AK/883	-55 to 125	28 Ld CERDIP	F28.6

Description

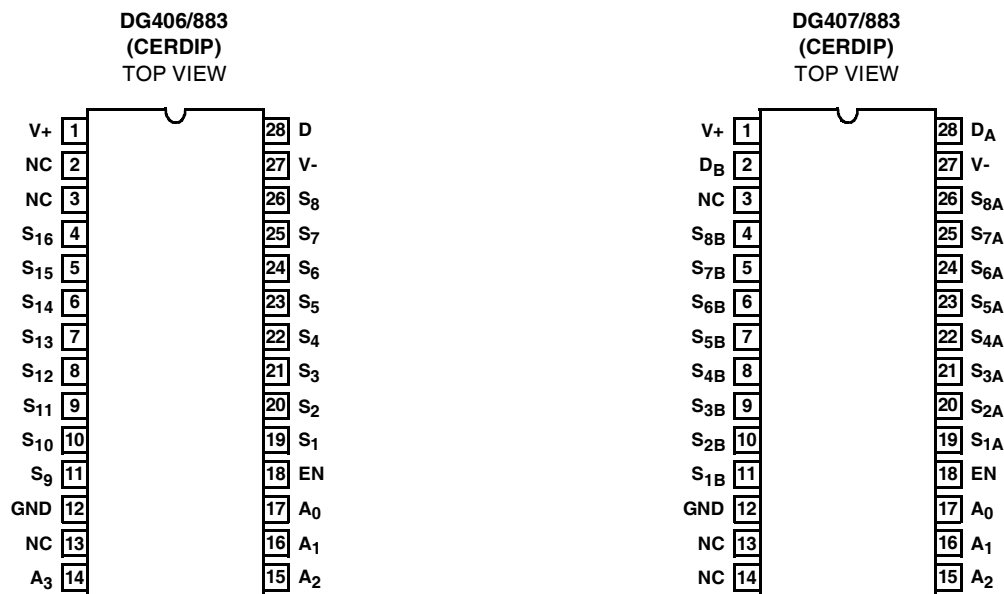
The DG406/883 and DG407/883 monolithic CMOS analog multiplexers are drop-in replacements for the popular DG506A/883 and DG507A/883 series devices. They each include an array of sixteen analog switches, a TTL and CMOS compatible digital decode circuit for channel selection, a voltage reference for logic thresholds, and an ENABLE input for device selection when several multiplexers are present.

These multiplexers feature lower signal ON resistance ($< 100\Omega$) and faster transition time ($t_{\text{TRANS}} < 250\text{ns}$) compared to the DG506A/883 and DG507A/883. Charge injection has been reduced, simplifying sample and hold applications.

The improvements in the DG406 series are made possible by using a high voltage silicon-gate process. An epitaxial layer prevents the latch-up associated with older CMOS technologies. The 44V maximum voltage range permits controlling 30V_{P-P} signals when operating with $\pm 15\text{V}$ power supplies.

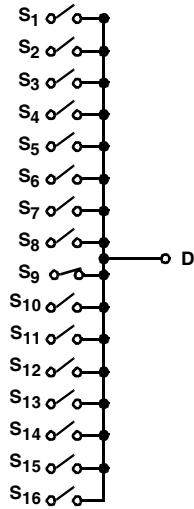
The sixteen switches are bilateral, equally matched for AC or bidirectional signals. The ON resistance variation with analog signals is quite low over a $\pm 5\text{V}$ analog input range.

Pinouts

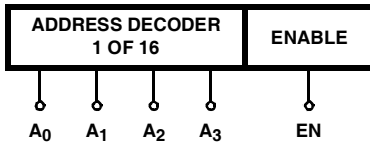


Functional Block Diagrams

DG406



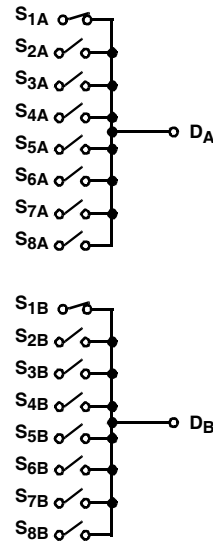
TO DECODER LOGIC
CONTROLLING BOTH
TIERS OF MUXING



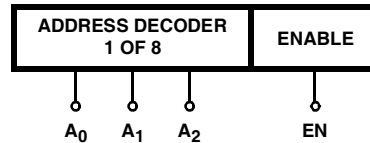
DG406 TRUTH TABLE

A ₃	A ₂	A ₁	A ₀	EN	ON SWITCH
X	X	X	X	0	None
0	0	0	0	1	1
0	0	0	1	1	2
0	0	1	0	1	3
0	0	1	1	1	4
0	1	0	0	1	5
0	1	0	1	1	6
0	1	1	0	1	7
0	1	1	1	1	8
1	0	0	0	1	9
1	0	0	1	1	10
1	0	1	0	1	11
1	0	1	1	1	12
1	1	0	0	1	13
1	1	0	1	1	14
1	1	1	0	1	15
1	1	1	1	1	16

DG407



TO DECODER LOGIC
CONTROLLING BOTH
TIERS OF MUXING



DG407 TRUTH TABLE

A ₂	A ₁	A ₀	EN	ON SWITCH PAIR
X	X	X	0	None
0	0	0	1	1
0	0	1	1	2
0	1	0	1	3
0	1	1	1	4
1	0	0	1	5
1	0	1	1	6
1	1	0	1	7
1	1	1	1	8

Logic "0" = V_{AL} < 0.8V
Logic "1" = V_{AH} > 2.4V
X = Don't Care

DG406/883, DG407/883

TABLE 1. DC ELECTRICAL PERFORMANCE SPECIFICATIONS

Devices tested at +V_{SUPPLY} = +15V, -V_{SUPPLY} = -15V, V_{AL} = 0.8V, V_{AH} = 2.4V, Unless Otherwise Specified **(Continued)**

PARAMETER	SYMBOL	CONDITIONS	GROUP A SUB-GROUP	DEVICE TYPE	(NOTE 3) MIN	(NOTE 3) MAX	UNITS
Positive Standby Current	I _{CC} Standby	V _{EN} = V _A = 0V or 5V	1	All	-	30	μA
			2, 3	All	-	75	μA
Negative Standby Current	I _{EE} Standby		1	All	-1	-	μA
			2, 3	All	-10	-	μA

NOTES:

- The algebraic convention whereby the most negative value is a minimum and the most positive a maximum, is used in this data sheet.
- Room = 25°C, Cold and Hot = as determined by the operating temperature suffix.

TABLE 1A. ELECTRICAL PERFORMANCE SPECIFICATIONS (SINGLE SUPPLY)

Devices tested at +V_{SUPPLY} = +12V, -V_{SUPPLY} = 0V, V_{AL} = 0.8V, V_{AH} = 2.4V, Unless Otherwise Specified

PARAMETER	SYMBOL	CONDITIONS	GROUP A SUB-GROUP	DEVICE TYPE	MIN	MAX	UNITS
Drain-Source ON Resistance	r _{DS(ON)}	V _D = 3V, 10V I _S = -1mA	1	All	-	120	Ω
Positive Current	I _{CC}	V _{EN} = 0V or 5V, V _A = 0V or 5V	1	All	-	30	μA
			2, 3	All	-	75	μA
Negative Current	I _{EE}		1	All	-1	-	μA
			2, 3	All	-5	-	μA
Switching Time of Multiplexer	t _{TRANS}	V _{S1} = 8V, V _{SS} = 0V, V _{IN} = 2.4V	1	All	-	450	ns
Enable Turn-ON Time	t _{ON(EN)}	V _{INH} = 2.4V, V _{INL} = 0V, V _{S1} = 5V	1	All	-	600	ns
Enable Turn-OFF Time	t _{OFF(EN)}		1	All	-	300	ns

TABLE 2. AC ELECTRICAL PERFORMANCE SPECIFICATIONS

Devices tested at +V_{SUPPLY} = +15V, -V_{SUPPLY} = -15V, V_{AL} = 0.8V, V_{AH} = 2.4V, Unless Otherwise Specified

PARAMETER	SYMBOL	CONDITIONS	GROUP A SUB-GROUP	DEVICE TYPE	MIN	MAX	UNITS
Transition Time	t _{TRANS}	C _L = 35pF, R _L = 300Ω, See Figure 1	9	All	-	300	ns
			10, 11	All	-	400	ns
Enable Turn-ON Time	t _{ON(EN)}	C _L = 35pF, R _L = 300Ω, See Figure 2	9	All	-	200	ns
			10, 11	All	-	400	ns
Enable Turn-OFF Time	t _{OFF(EN)}		9	All	-	150	ns
			10, 11	All	-	300	ns
Break Before Leakage Current	t _{OPEN}	C _L = 35pF, R _L = 300Ω, See Figure 3	9	All	25	-	ns
			10, 11	All	10	-	ns

DG406/883, DG407/883

TABLE 3. DC ELECTRICAL PERFORMANCE SPECIFICATIONS

Devices tested at +V_{SUPPLY} = +15V, -V_{SUPPLY} = -15V, V_{AL} = 0.8V, V_{AH} = 2.4V, Unless Otherwise Specified

PARAMETER	SYMBOL	CONDITIONS	NOTE	TEMP (°C)	MIN	TYP	MAX	UNITS
Off Isolation Time	V _{ISO}	V _{EN} = 0V, R _L = 1K, f = 100kHz, GEN = 1V _{P-P} Sine Wave, See Figure 5	5	25	50	-	-	dB
Charge Transfer Error	V _{CTE}	C _L = 10nF, V _S = 0V, R _S = 0Ω, See Figure 4	5	25	-	-	10	mV
Crosstalk	V _{CT}	R _L = 1K, f = 100kHz, GEN = 1V _{P-P} Sine Wave, See Figure 5	5	25	50	-	-	dB
Source OFF Capacitance	C _{S(OFF)}	V _{EN} = 0V, V _S = 0V, f = 1MHz	65	25	-	-	10	pF
Drain OFF Capacitance DG406	C _{D(OFF)}	V _{EN} = 0V, V _D = 0V, f = 1MHz	5	25	-	-	200	pF
DG407			5	25	-	-	100	pF
Drain ON Capacitance DG406	C _{D(ON)}	V _{EN} = 0V, V _D = 0V, f = 1MHz	5	25	-	-	400	pF
DG407			5	25	-	-	200	pF

NOTE:

5. Parameters listed via process parameters and are not directly tested at final production. These parameters are lab characterized upon design release, or upon design changes. These parameters are guaranteed by characterization based upon data from multiple production rich reflect lot to lot and within lot variation.

TABLE 4. ELECTRICAL TEST REQUIREMENTS

MIL-STD-883 TEST REQUIREMENTS	SUBGROUPS (SEE TABLES 1 AND 2)
Interim Electrical Parameters (Pre BurnIn)	1
Final Electrical Test Parameters	1 (Note 6), 2, 3, 9, 10, 11
Group A Test Requirements	1, 2, 3, 9, 10, 11
Group C and D Endpoints	1

NOTE:

6. PDA applied to Subgroup 1 only.

Test Circuits and Waveforms

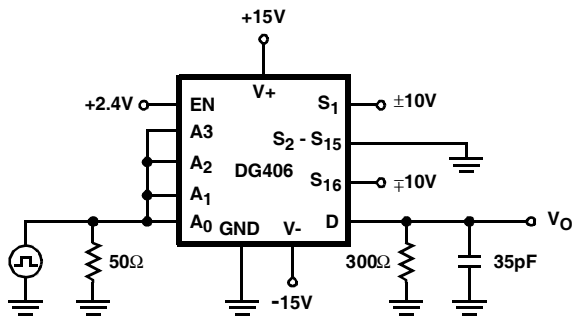


FIGURE 1A.

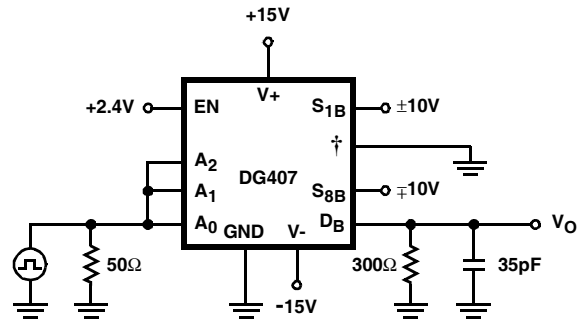


FIGURE 1B.

† = S_{1A} - S_{8A}, S_{2B} - S_{7B}, D_A

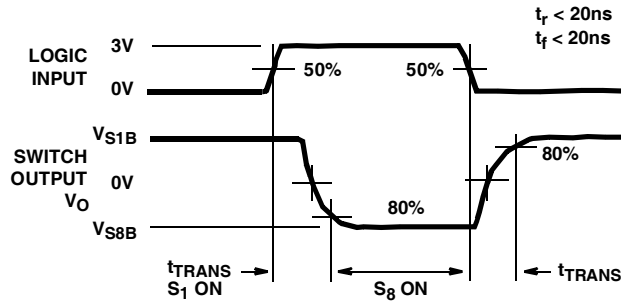


FIGURE 1C.

FIGURE 1. TRANSITION TIME

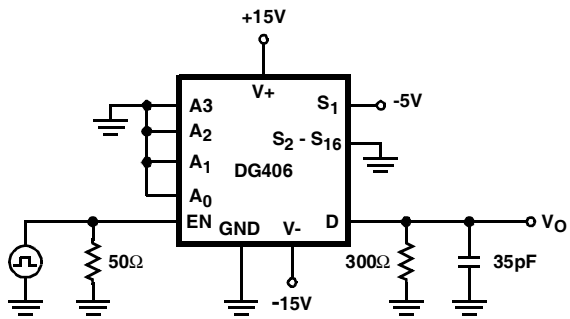


FIGURE 2A.

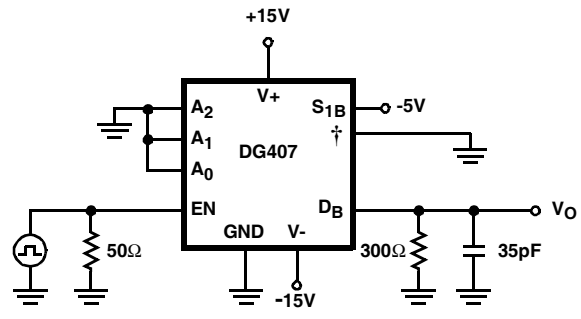


FIGURE 2B.

† = S_{1A} - S_{8A}, S_{2B} - S_{8B}, D_A

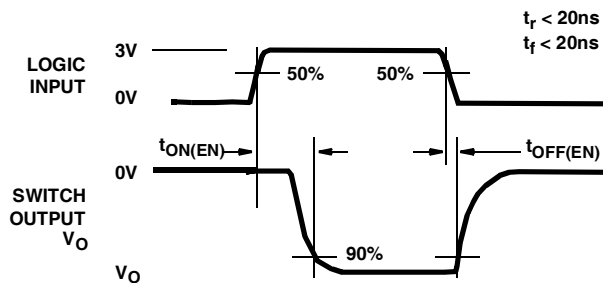


FIGURE 2C.

Test Circuits and Waveforms (Continued)

FIGURE 2. ENABLE SWITCHING TIME

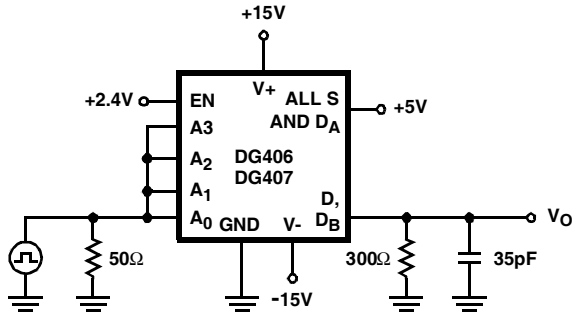


FIGURE 3A.

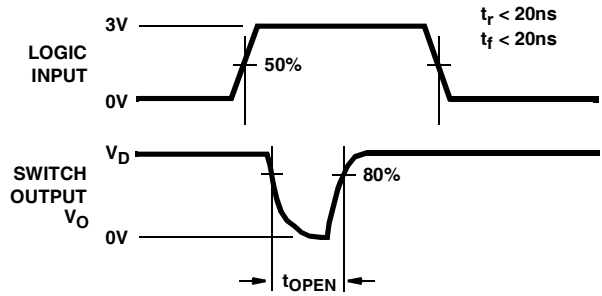


FIGURE 3B.

FIGURE 3. BREAK-BEFORE-MAKE INTERVAL

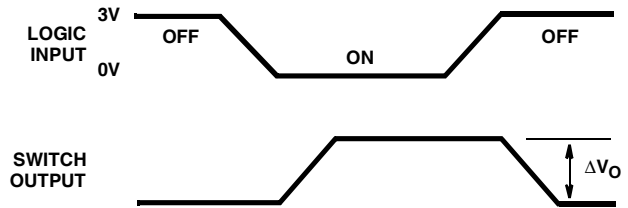
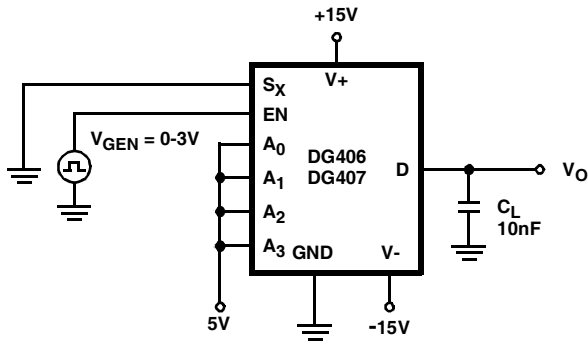


FIGURE 4. CHARGE INJECTION

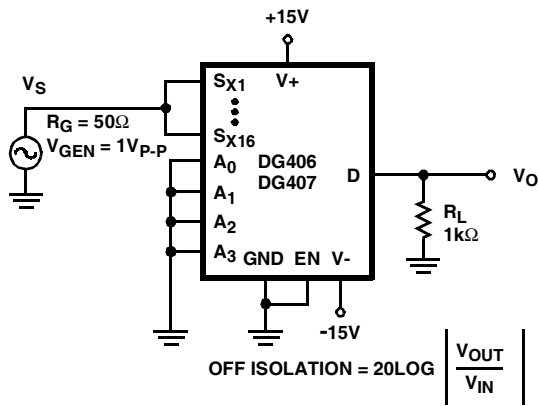


FIGURE 5. OFF ISOLATION

$$\text{OFF ISOLATION} = 20 \log \left| \frac{V_{OUT}}{V_{IN}} \right|$$

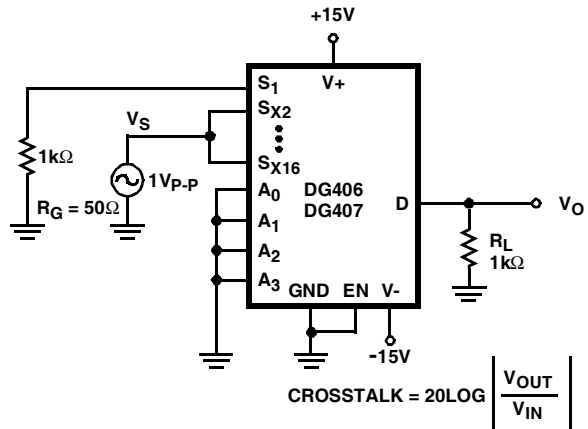
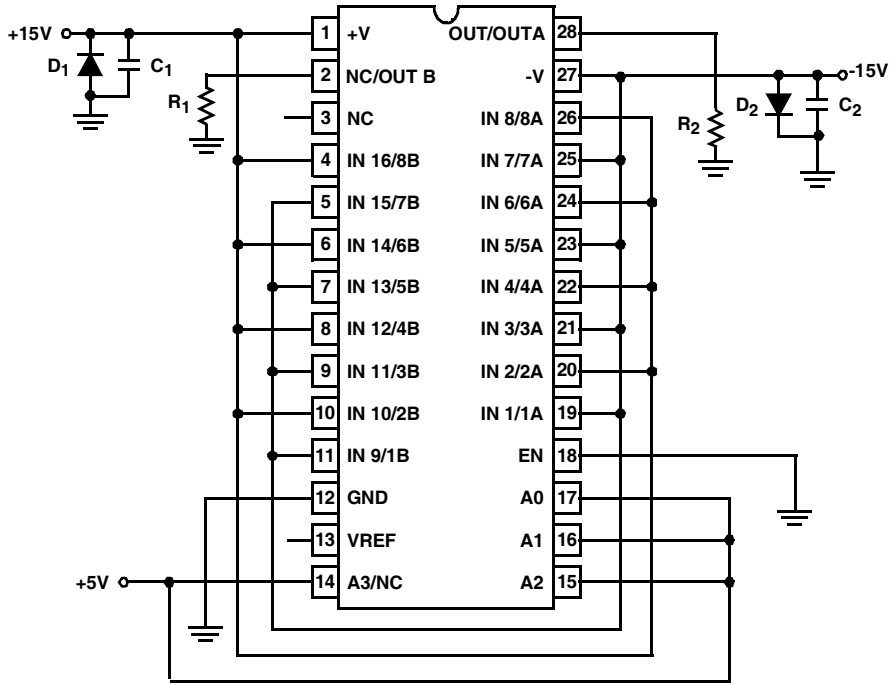


FIGURE 6. CROSSTALK

$$\text{CROSSTALK} = 20 \log \left| \frac{V_{OUT}}{V_{IN}} \right|$$

Burn-In Circuit

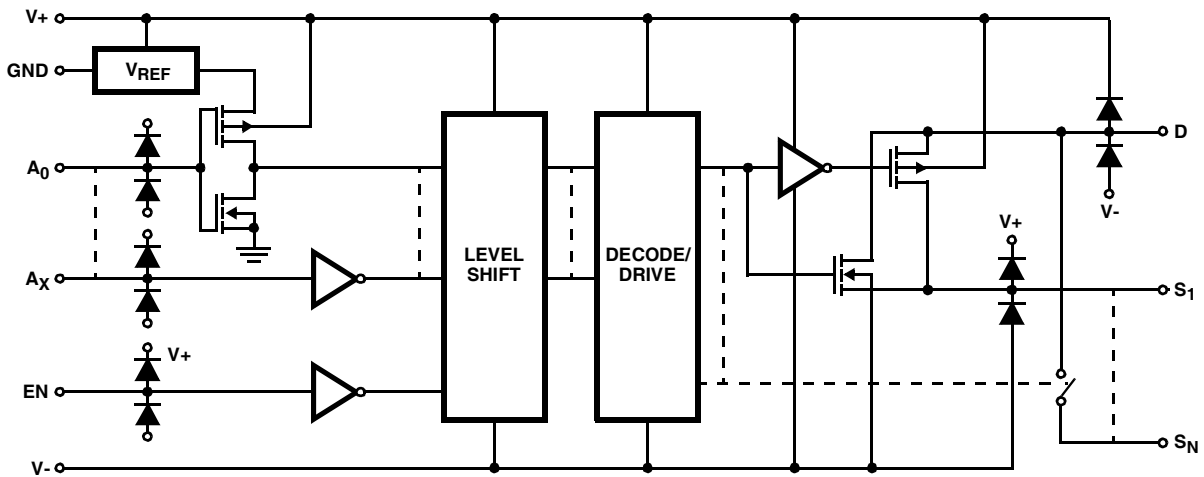
CERDIP BURN-IN SCHEMATIC
DG406/407AK/883



NOTE:

$R_1, R_2 = 10k\Omega \pm 5\%$, 1/2W or 1/4W (Per Socket)
 $C_1, C_2 = 0.01\mu F$ (Min, Per Socket) or $0.1\mu F$ (Min, Per Row)
 $D_1, D_2 = IN402$ (or Equivalent, Per Board)

Schematic Diagram (Typical Channel)



Typical Design Information

The information contained in this section has been developed through characterization by Harris Semiconductor and is for use as application and design information only. No guarantee is implied.

Typical Performance Curves

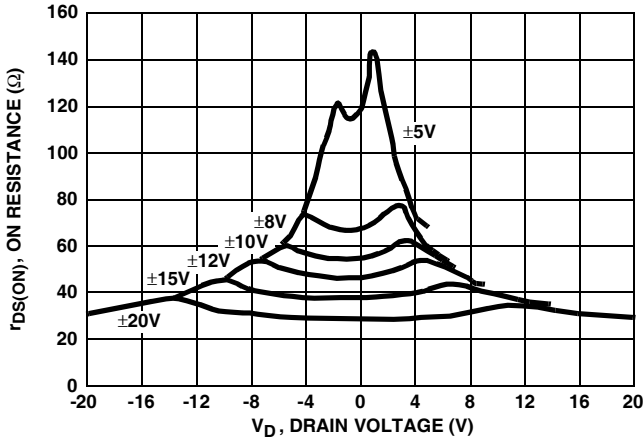


FIGURE 7. $r_{DS(ON)}$ vs V_D AND SUPPLY

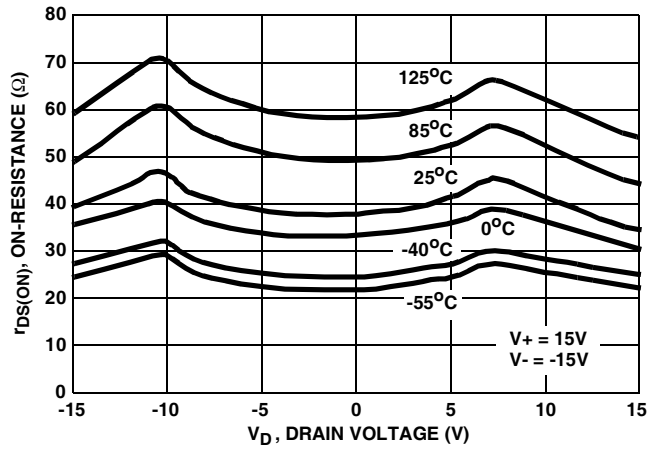


FIGURE 8. $r_{DS(ON)}$ vs V_D AND TEMPERATURE

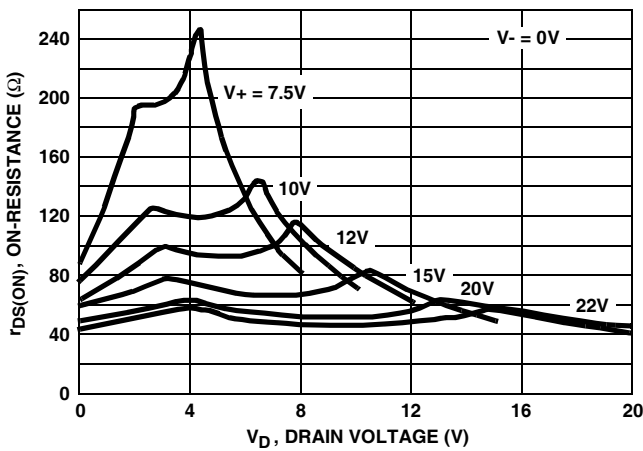


FIGURE 9. $r_{DS(ON)}$ vs V_D AND SUPPLY

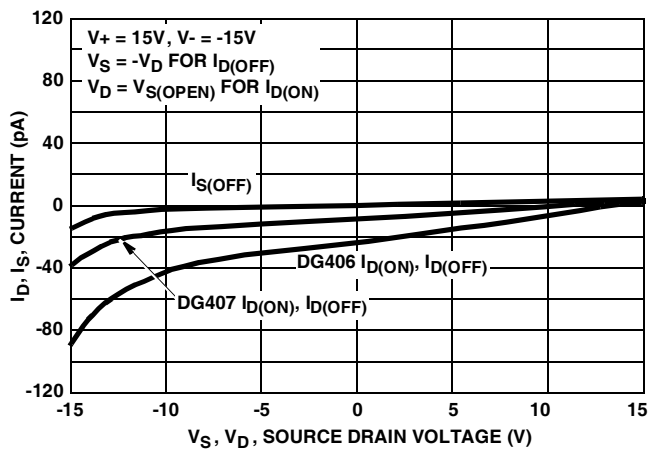


FIGURE 10. I_D , I_S LEAKAGE CURRENTS vs ANALOG VOLTAGE

Typical Performance Curves (Continued)

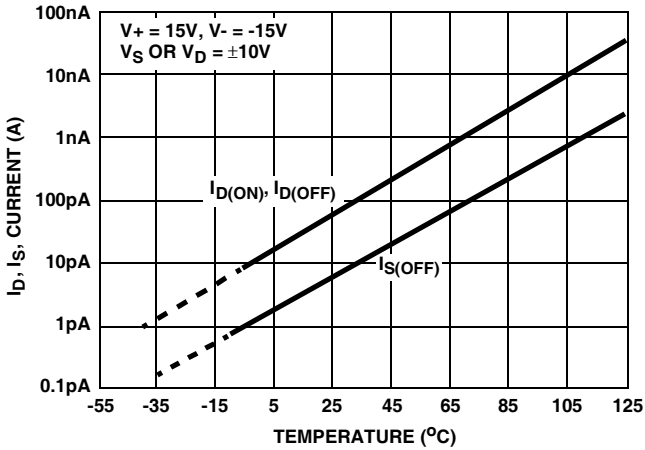


FIGURE 11. I_D, I_S LEAKAGE vs TEMPERATURE

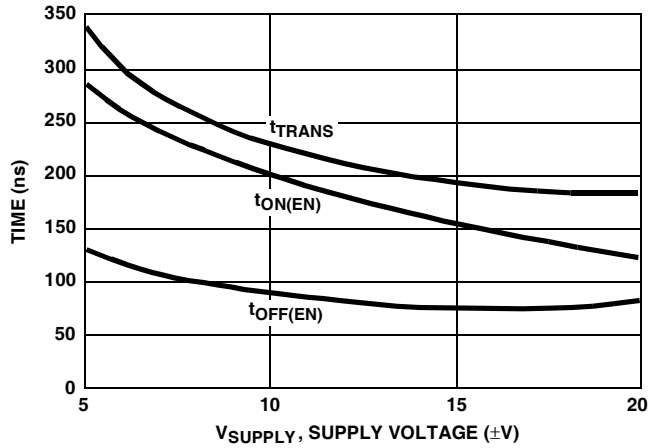


FIGURE 12. SWITCHING TIMES vs BIPOLAR SUPPLIES

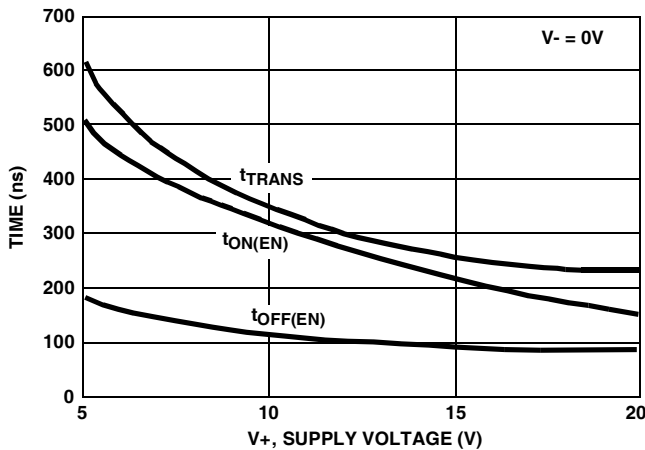


FIGURE 13. SWITCHING TIMES vs SINGLE SUPPLY

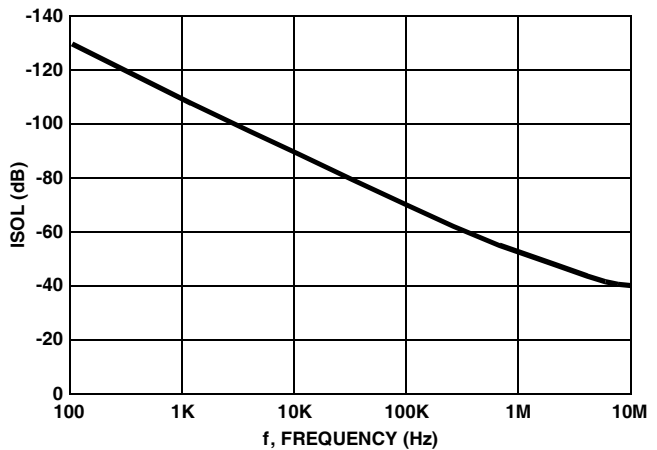


FIGURE 14. OFF-ISOLATION vs FREQUENCY

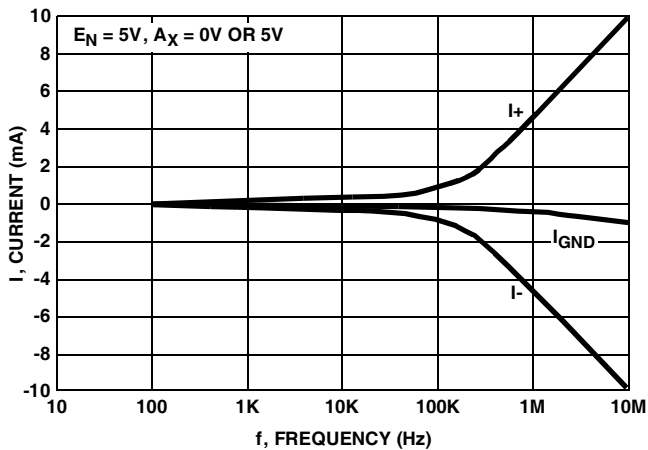


FIGURE 15. SUPPLY CURRENTS vs SWITCHING FREQUENCY

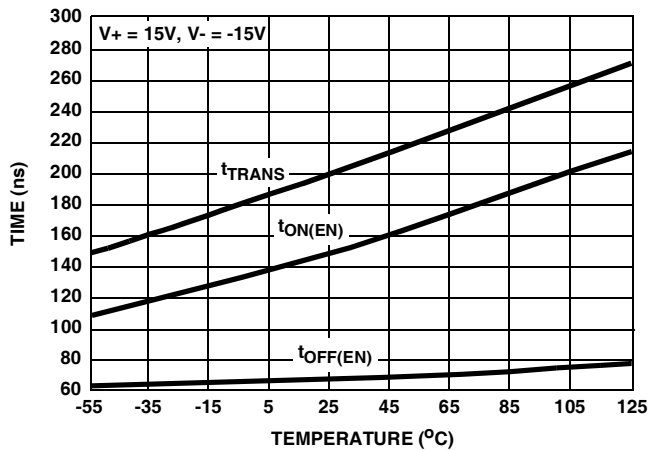


FIGURE 16. t_{ON}/t_{OFF} vs TEMPERATURE

Typical Performance Curves (Continued)

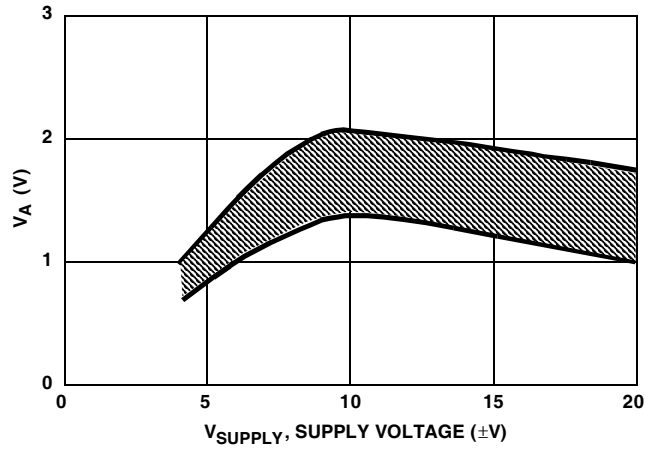


FIGURE 17. SWITCHING THRESHOLD vs SUPPLY VOLTAGE

DG406/883, DG407/883

Die Characteristics

DIE DIMENSIONS:

2490 μ m x 4560 μ m x 485 μ m \pm 25 μ m

METALLIZATION:

Type: SiAl
Thickness: 12k \AA \pm 1k \AA

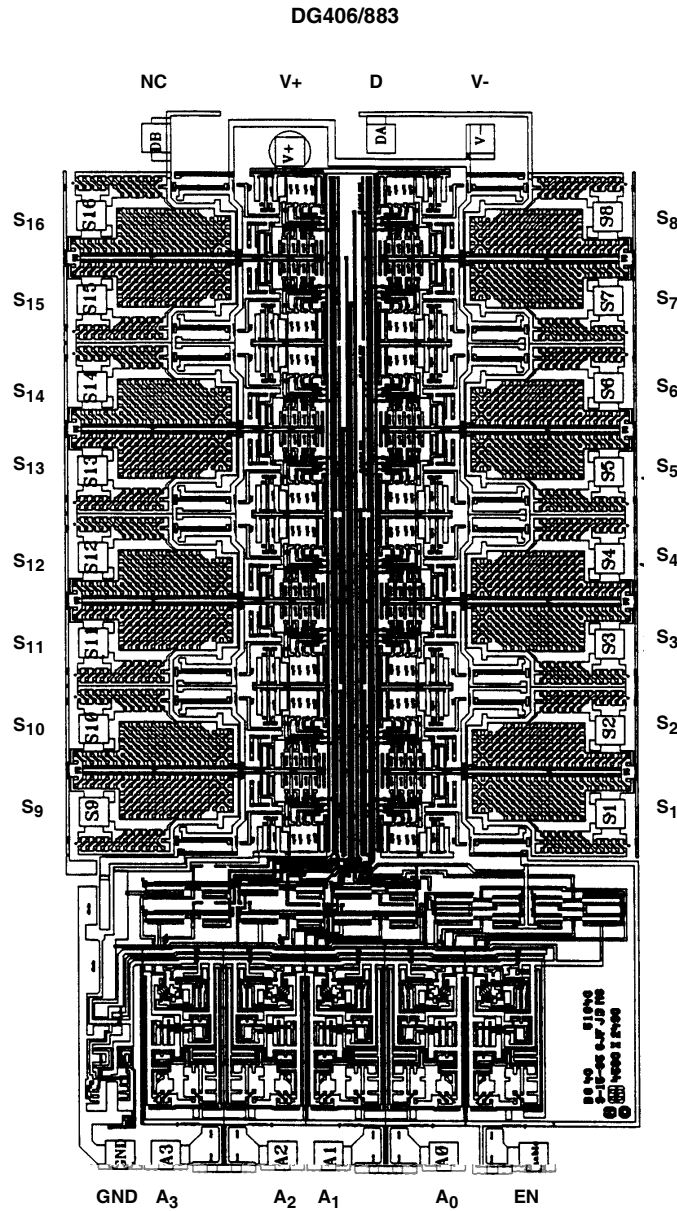
PASSIVATION:

Type: Nitride
Thickness: 8k \AA \pm 1k \AA

WORST CASE CURRENT DENSITY:

9.1 x 10⁴ A/cm²

Metallization Mask Layout



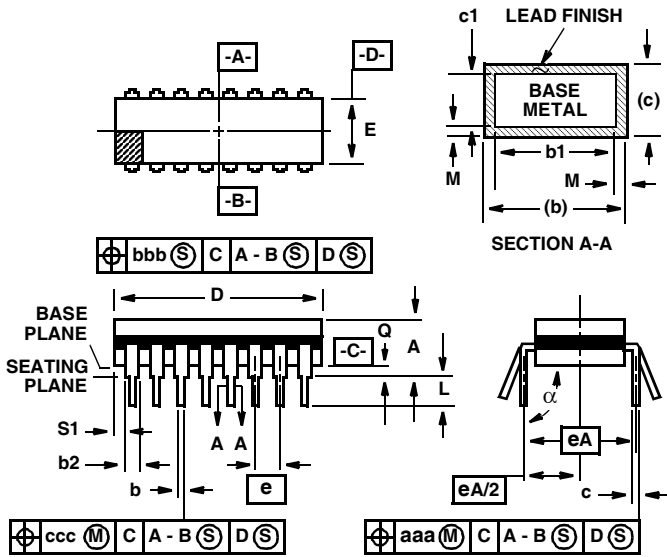
Die Characteristics

DIE DIMENSIONS:

2490 μ m x 4560 μ m x 485 μ m \pm 25 μ m

Ceramic Dual-In-Line Frit Seal Packages (CERDIP)

**F28.6 MIL-STD-1835 GDIP1-T28 (D-10, CONFIGURATION A)
28 LEAD CERAMIC DUAL-IN-LINE FRIT SEAL PACKAGE**



SYMBOL	INCHES		MILLIMETERS		NOTES
	MIN	MAX	MIN	MAX	
A	-	0.232	-	5.92	-
b	0.014	0.026	0.36	0.66	2
b1	0.014	0.023	0.36	0.58	3
b2	0.045	0.065	1.14	1.65	-
b3	0.023	0.045	0.58	1.14	4
c	0.008	0.018	0.20	0.46	2
c1	0.008	0.015	0.20	0.38	3
D	-	1.490	-	37.85	5
E	0.500	0.610	12.70	15.49	5
e	0.100 BSC		2.54 BSC		-
eA	0.600 BSC		15.24 BSC		-
eA/2	0.300 BSC		7.62 BSC		-
L	0.125	0.200	3.18	5.08	-
Q	0.015	0.060	0.38	1.52	6
S1	0.005	-	0.13	-	7
α	90°	105°	90°	105°	-
aaa	-	0.015	-	0.38	-
bbb	-	0.030	-	0.76	-
ccc	-	0.010	-	0.25	-
M	-	0.0015	-	0.038	2, 3
N	28		28		8

NOTES:

1. Index area: A notch or a pin one identification mark shall be located adjacent to pin one and shall be located within the shaded area shown. The manufacturer's identification shall not be used as a pin one identification mark.
2. The maximum limits of lead dimensions b and c or M shall be measured at the centroid of the finished lead surfaces, when solder dip or tin plate lead finish is applied.
3. Dimensions b1 and c1 apply to lead base metal only. Dimension M applies to lead plating and finish thickness.
4. Corner leads (1, N, N/2, and N/2+1) may be configured with a partial lead paddle. For this configuration dimension b3 replaces dimension b2.
5. This dimension allows for off-center lid, meniscus, and glass overrun.
6. Dimension Q shall be measured from the seating plane to the base plane.
7. Measure dimension S1 at all four corners.
8. N is the maximum number of terminal positions.
9. Dimensioning and tolerancing per ANSI Y14.5M - 1982.
10. Controlling dimension: INCH.

Rev. 0 4/94

All Intersil U.S. products are manufactured, assembled and tested utilizing ISO9000 quality systems. Intersil Corporation's quality certifications can be viewed at www.intersil.com/design/quality

Intersil products are sold by description only. Intersil Corporation reserves the right to make changes in circuit design, software and/or specifications at any time without notice. Accordingly, the reader is cautioned to verify that data sheets are current before placing orders. Information furnished by Intersil is believed to be accurate and reliable. However, no responsibility is assumed by Intersil or its subsidiaries for its use; nor for any infringements of patents or other rights of third parties which may result from its use. No license is granted by implication or otherwise under any patent or patent rights of Intersil or its subsidiaries.

For information regarding Intersil Corporation and its products, see www.intersil.com

Sales Office Headquarters

NORTH AMERICA
Intersil Corporation
7585 Irvine Center Drive
Suite 100
Irvine, CA 92618
TEL: (949) 341-7000
FAX: (949) 341-7123

Intersil Corporation
2401 Palm Bay Rd.
Palm Bay, FL 32905
TEL: (321) 724-7000
FAX: (321) 724-7946

EUROPE
Intersil Europe Sarl
Ave. William Grasse, 3
1006 Lausanne
Switzerland
TEL: +41 21 6140560
FAX: +41 21 6140579

ASIA
Intersil Corporation
Unit 1804 18/F Guangdong Water Building
83 Austin Road
TST, Kowloon Hong Kong
TEL: +852 2723 6339
FAX: +852 2730 1433