

SHINDENGEN

Super Fast Recovery Rectifiers

Single

D4L20U

200V 4A

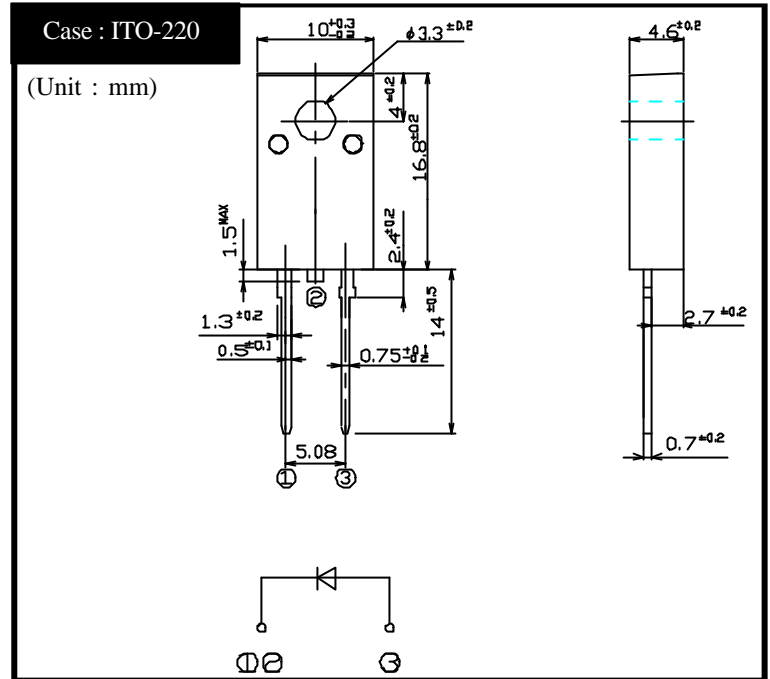
FEATURES

Low noise
trr35ns
Fully Isolated Molding

APPLICATION

Switching power supply
Free Wheel
Home Appliances, Office Equipment
Telecommunication, Factory Automation

OUTLINE DIMENSIONS



RATINGS

Absolute Maximum Ratings (If not specified Tc=25)

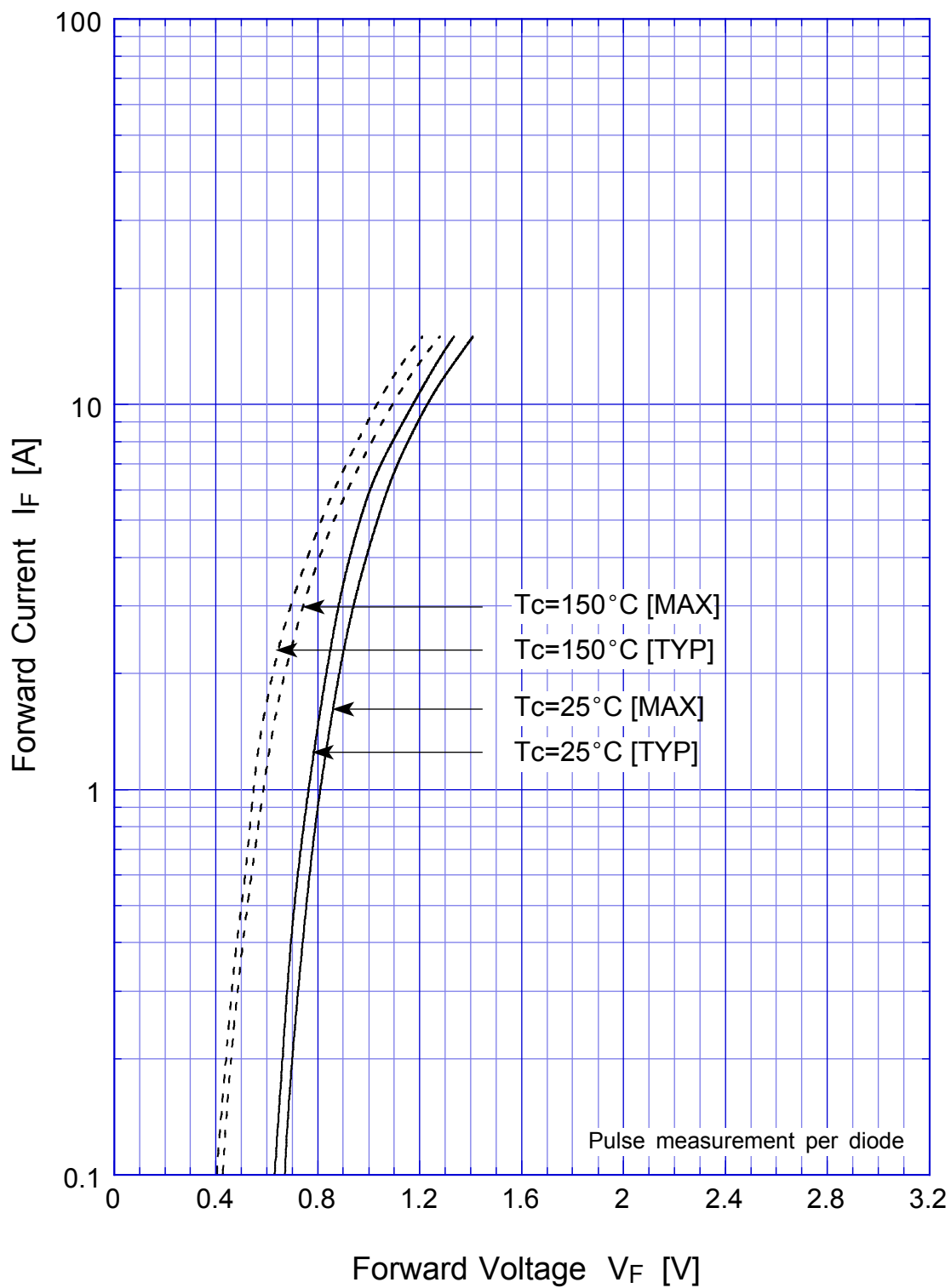
Item	Symbol	Conditions	Ratings	Unit
Storage Temperature	Tstg		-40 ~ 150	
Operating Junction Temperature	Tj		150	
Maximum Reverse Voltage	V _{RM}		200	V
Average Rectified Forward Current	I _O	50Hz sine wave, R-load, Tc=130	4	A
Peak Surge Forward Current	I _{FSM}	50Hz sine wave, Non-repetitive 1 cycle peak value, Tj=25	60	A
Dielectric Strength	V _{dis}	Terminals to case, AC 1 minute	1.5	kV
Mounting Torque	TOR	(Recommended torque :0.3N·m)	0.5	N·m

Electrical Characteristics (If not specified Tc=25)

Item	Symbol	Conditions	Ratings	Unit
Forward Voltage	V _F	I _F =4A, Pulse measurement	Max.0.98	V
Reverse Current	I _R	V _R =V _{RM} , Pulse measurement	Max.10	μA
Reverse Recovery Time	trr	I _F =0.5A, I _R =1A	Max.35	ns
Thermal Resistance	jc	junction to case	Max.4.5	/W

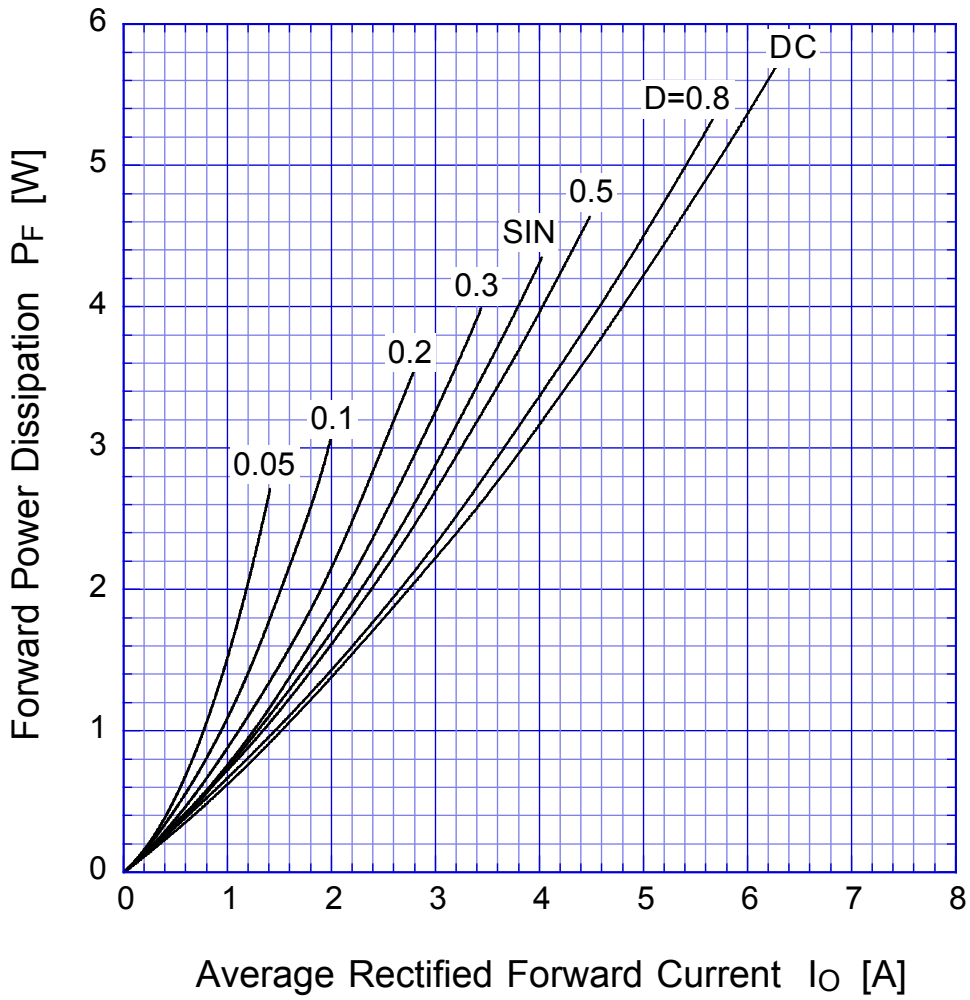
D4L20U

Forward Voltage

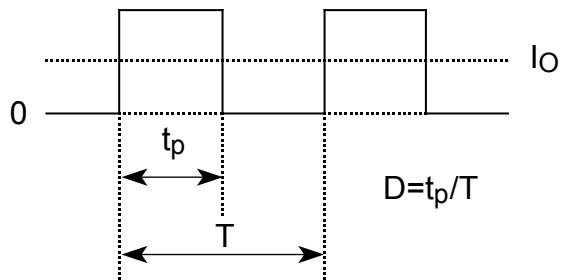


D4L20U

Forward Power Dissipation

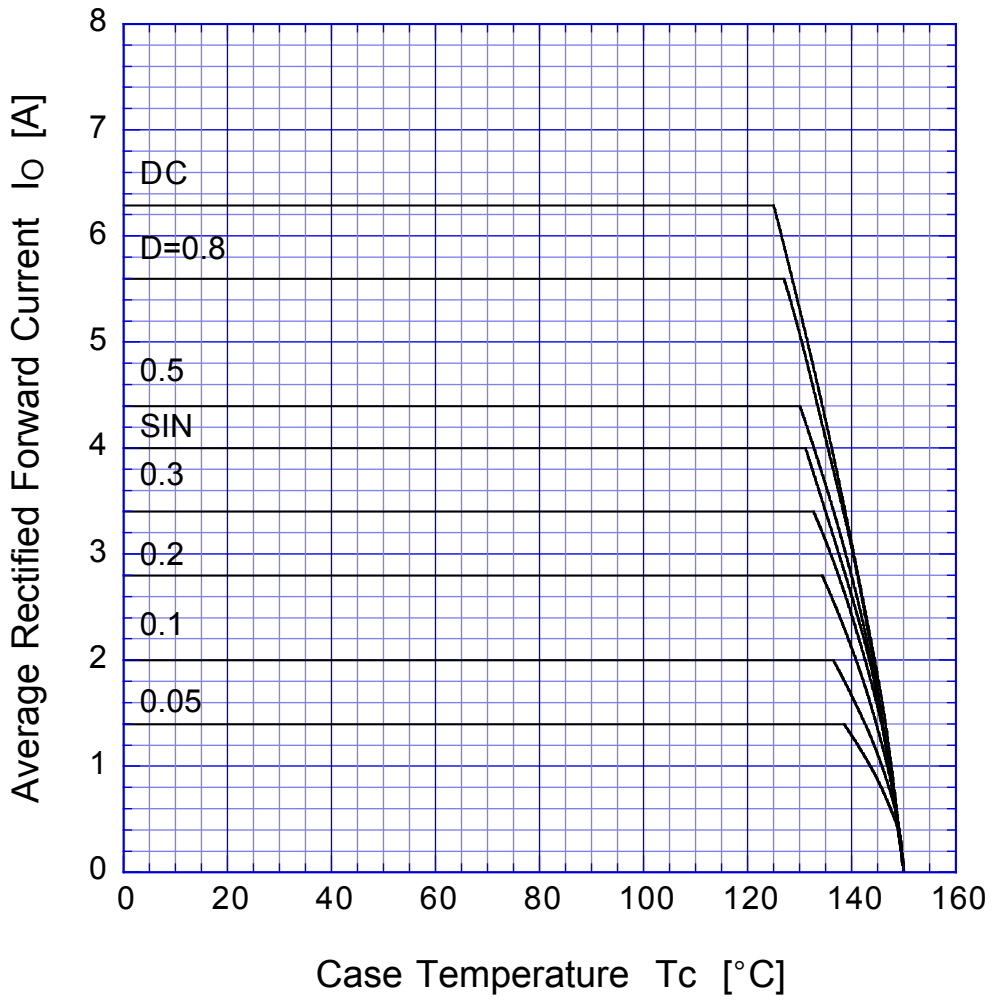


$T_j = T_{jmax}$

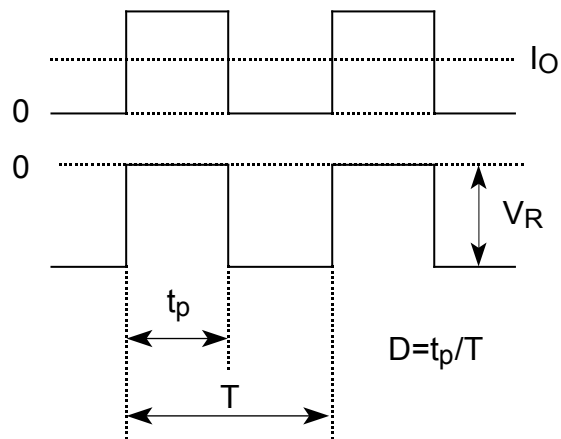


D4L20U

Derating Curve

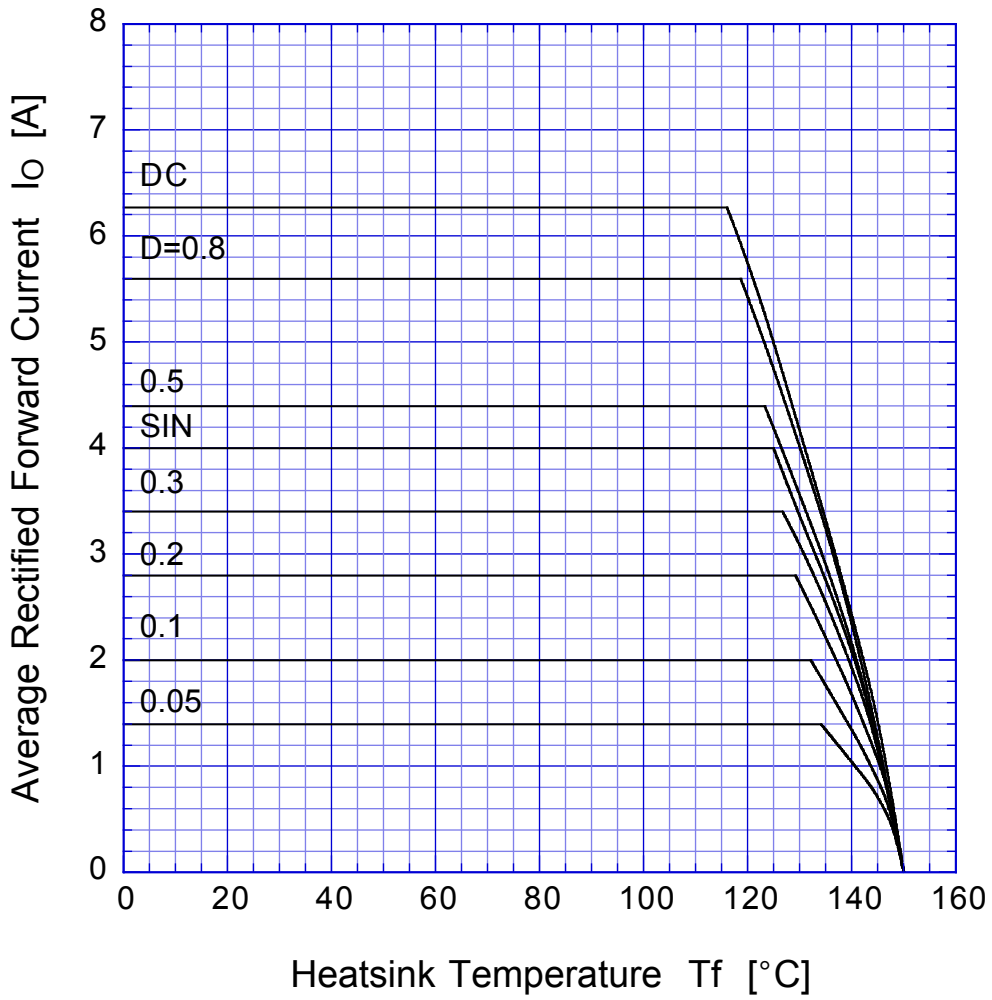


$$V_R = V_{RM}$$

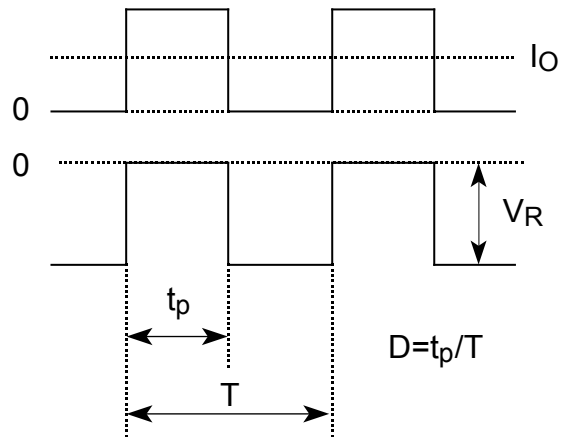


D4L20U

Derating Curve

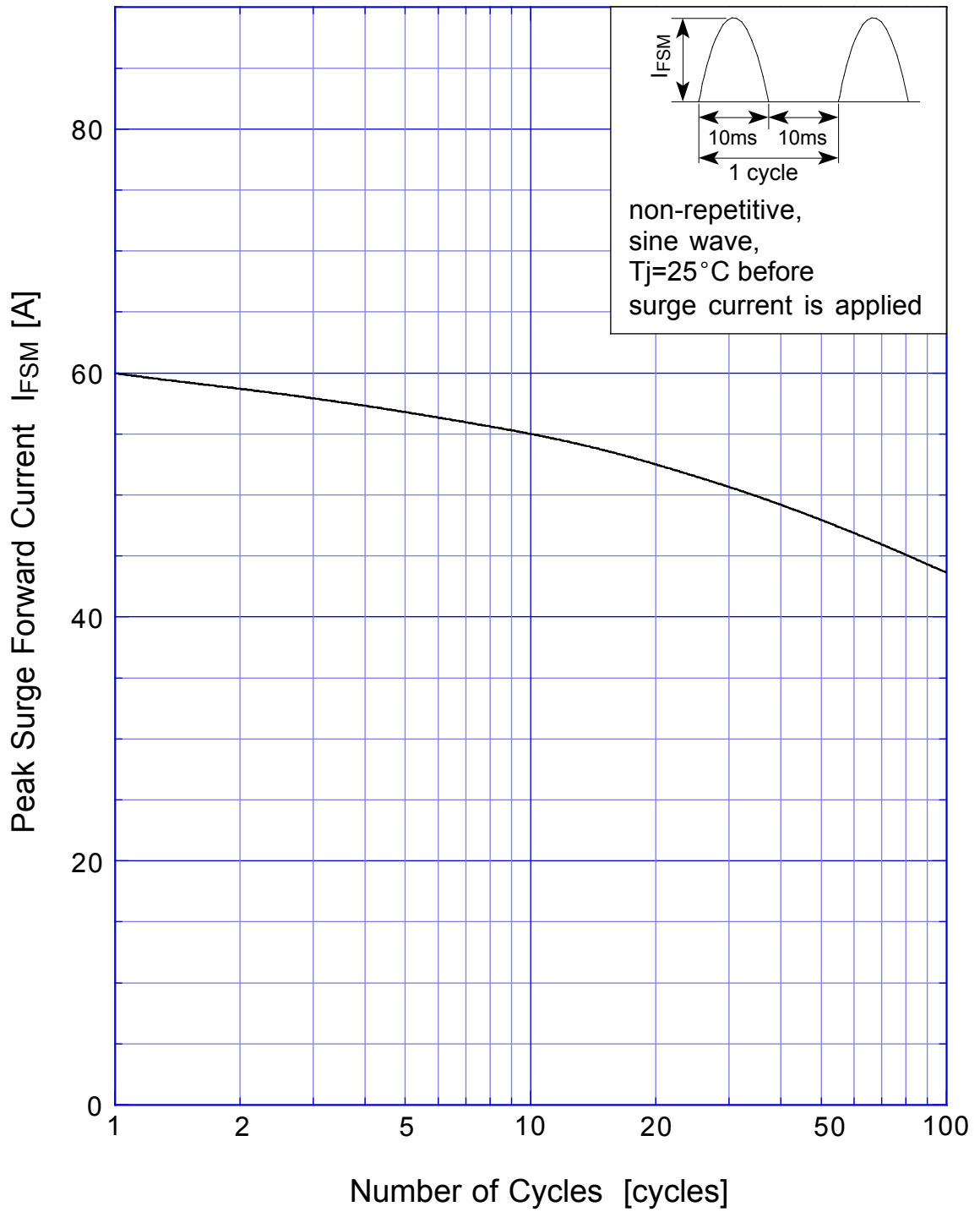


$$V_R = V_{RM}$$



D4L20U

Peak Surge Forward Capability



D4L20U Junction Capacitance

