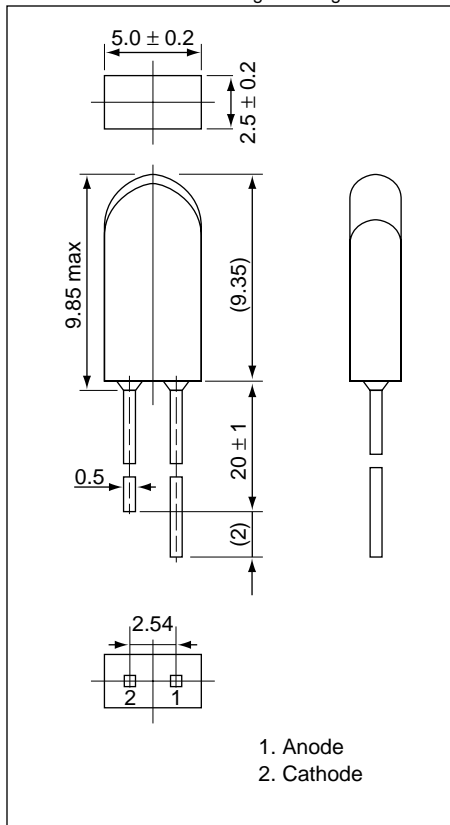




Weight: 0.23 g Unit: mm



AND233GCP

GaP Green Light Emission Special Shape Package

Features

- 2.5 x 5 mm arch lens
- Peak wavelength ($\lambda_p = 567$ nm) high bright emission
- All plastic mold type, clear colorless lens
- Low drive current
- Excellent On-Off contrast ratio
- Fast response time, capable of pulse operation
- Suitable for: level meter, safety equipment, automotive use

Maximum Ratings (T = 25°C)

Characteristics	Symbol	Rating	Unit
Forward Current	I_F	25	mA
Reverse Voltage	V_R	4	V
Power Dissipation	P_D	125	mW
Operating Temperature Range	T_{Opr}	-20 to 75	°C
Storage Temperature Range	T_{Stg}	-30 to 100	°C

Electro-Optical Characteristics (T = 25°C)

Characteristics	Symbol	Test Condition	Minimum	Typical	Maximum	Unit
Forward Voltage	V_F	$I_F = 20$ mA	–	1.85	2.2	V
Reverse Current	I_R	$V_R = 4$ V	–	–	100	μ A
Luminous Intensity	I_V	$I_F = 20$ mA	60	150	–	mcd
Peak Emission Wavelength	I_P	$I_F = 20$ mA	–	567	–	nm
Spectral Line Half Width	$\Delta\lambda$	$I_F = 20$ mA	–	25	–	nm
Dominant Wavelength	λ_d	$I_F = 20$ mA	–	563	–	nm
Full Viewing Angle	θ	$I_V = 1/2$ Peak	–	25	–	degree

Precaution

Please be careful of the following:

1. Soldering temperature: 260°C max
Soldering time: 3 sec. max
Soldering portion of lead: up to 2 mm from the body of the device
2. The lead can be formed up to 5 mm from the body of the device without forming stress.
Soldering should be performed after the lead forming.

