

GD54/74HC266, GD54/74HCT266

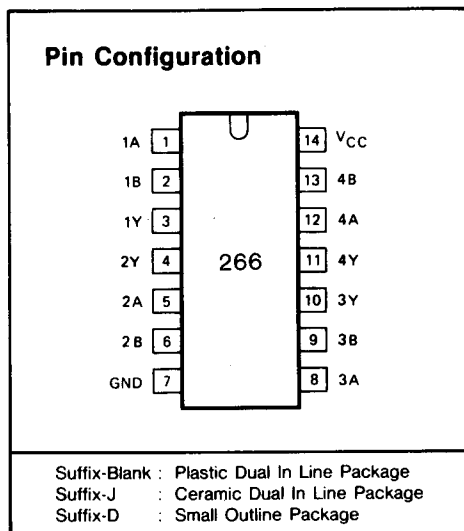
QUAD 2-INPUT EXCLUSIVE NOR GATES

General Description

These devices are identical in pinout to the 54/74LS266. These circuits contain four independent 2-input Exclusive NOR gates. Unlike the 54/74LS266 which is an open collector gate, the HC/HCT 266 has standard CMOS push-pull outputs. These devices are characterized for operation over wide temperature ranges to meet industry and military specifications.

Features

- Low Power consumption characteristic of CMOS devices
- Output drive capability: 10 LS TTL Loads Min.
- Operating speed superior to LS TTL
- Wide operating voltage range: for HC 2 to 6 volts
for HCT 4.5 to 5.5 volts
- Low input current: 1 μ A Max.
- Low quiescent current: 20 μ A Max. (74HC)
- High noise immunity characteristic of CMOS
- Diode protection on all inputs



Logic Symbol and Diagram

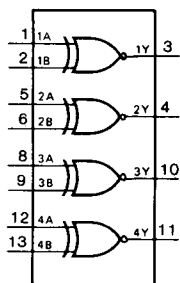


Fig. 1 Logic symbol

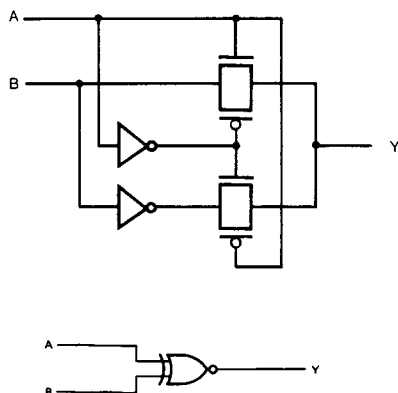


Fig. 2 Logic diagram (one gate)

Function Table

INPUTS		OUTPUT
nA	nB	nY
L	L	H
L	H	L
H	L	L
H	H	H

H=HIGH voltage level
L=LOW voltage level

Absolute Maximum Ratings

SYMBOL	PARAMETER	CONDITIONS	MIN.	MAX.	UNIT
V_{CC}	DC Supply voltage		-0.5	+7	V
I_{IK}, I_{OK}	DC input or output diode current	for $V_I < -0.5$ or $V_I > V_{CC} + 0.5V$		20	mA
I_O	DC output source or sink current	for $-0.5V < V_O < V_{CC} + 0.5V$		25	mA
I_{CC}	DC V_{CC} or GND current			50	mA
T_{stg}	Storage temperature range		-65	150	°C
P_D	Power dissipation per package	above +70°C: derate linearly with 8mW/K		500	mW
T_L	Lead temperature	At distance 1/16 ± 1/32 in. from case for 60 sec(CERAMIC) 10 sec(PLASTIC)		300 260	°C

Recommended Operating Conditions

CHARACTERISTIC	LIMITS		UNITS
	MIN.	MAX.	
Supply-Voltage Range V_{CC} : GD54/74HC Types GD54/74HCT Types	2 4.5	6 5.5	V
DC Input or Output Voltage V_I, V_O	0	V_{CC}	V
Operating Temperature T_A : GD74 Types GD54 Types	-40 -55	+85 +125	°C
Input Rise and Fall times t_r, t_f : GD54/74HC Types at 2V at 4.5V at 6V GD54/74HCT Types at 4.5V		1000 500 400 500	ns

Logic Diagram

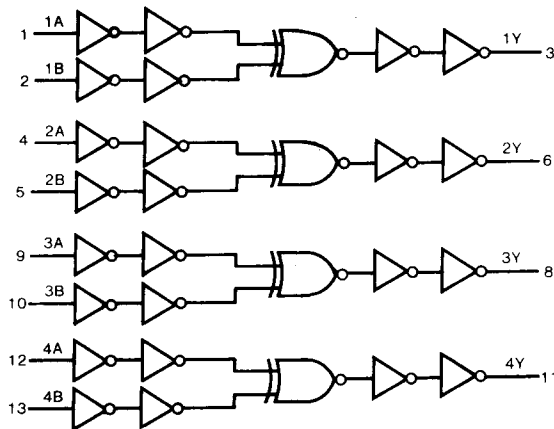


Fig. 3 Circuit diagram

DC Electrical Characteristics for HC

SYMBOL	PARAMETER	TEST CONDITION	V _{CC} (V)	T _A =25°C			GD74HC266		GD54HC266		UNIT
				MIN.	TYP.	MAX.	MIN.	MAX.	MIN.	MAX.	
V _{IH}	HIGH level input Voltage		2.0 4.5 6.0	1.5 3.15 4.2			1.5 3.15 4.2		1.5 3.15 4.2		V
V _{IL}	LOW level input voltage		2.0 4.5 6.0			0.3 0.9 1.2		0.3 0.9 1.2		0.3 0.9 1.2	V
V _{OH}	HIGH level output voltage	V _{IN} =V _{IH}	2.0 4.5 6.0	1.9 4.4 5.9	2.0 4.5 6.0		1.9 4.4 5.9		1.9 4.4 5.9		V
		or V _{IL}	4.5 6.0	3.98 5.48	4.3 5.2		3.84 5.34		3.7 5.2		
V _{OL}	LOW level output voltage	V _{IN} =V _{IH}	2.0 4.5 6.0			0.1 0.1 0.1		0.1 0.1 0.1		0.1 0.1 0.1	V
		or V _{IL}	4.5 6.0		0.17 0.15	0.26 0.26		0.33 0.33		0.4 0.4	
I _{IN}	Input leakage Current	V _{IN} =V _{CC} or GND	6.0			0.1		1.0		1.0	μA
I _{CC}	Quiescent Supply Current	V _{IN} =V _{CC} or GND I _{out} =0μA	6.0			2		20		40	μA

DC Electrical Characteristics for HCT

SYMBOL	PARAMETER	TEST CONDITION	V _{CC} (V)	T _A =25°C			GD74HCT266		GD54HCT266		UNIT
				MIN.	TYP.	MAX.	MIN.	MAX.	MIN.	MAX.	
V _{IH}	HIGH level input Voltage		4.5 to 5.5	2.0			2.0		2.0		V
V _{IL}	LOW level input voltage		4.5 to 5.5			0.8		0.8		0.8	V
V _{OH}	HIGH level output voltage	V _{IN} =V _{IH}	4.5	4.4	4.5		4.4		4.4		V
		or V _{IL}	4.5	3.98	4.3		3.84		3.7		
V _{OL}	LOW level output voltage	V _{IN} =V _{IH}	4.5			0.1		0.1		0.1	V
		or V _{IL}	4.5		0.17	0.26		0.33		0.4	
I _{IN}	Input leakage Current	V _{IN} =V _{CC} or GND	5.5			0.1		1.0		1.0	μA
I _{CC}	Quiescent Supply Current	V _{IN} =V _{CC} or GND I _{out} =0μA	5.5			2		20		40	μA

AC Characteristics for HC: $t_r=t_f=6\text{ns}$ $C_L=50\text{ pF}$

SYMBOL	PARAMETER	V _{CC} (V)	T _A =25°C			GD74HC266		GD54HC266		UNIT
			MIN.	TYP.	MAX.	MIN.	MAX.	MIN.	MAX.	
t _{PLH} / t _{PHL}	Propagation Delay Time nA, nB to nY	2.0		39	120		150		180	ns
		4.5		14	24		30		36	
		6.0		11	20		26		31	
t _{TLH} / t _{THL}	Output Transition Time	2.0		19	75		95		110	ns
		4.5		7	15		19		22	
		6.0		6	13		16		19	

AC Characteristics for HCT: $t_r=t_f=6\text{ns}$ $C_L=50\text{ pF}$

SYMBOL	PARAMETER	V _{CC} (V)	T _A =25°C			GD74HCT266		GD54HCT266		UNIT
			MIN.	TYP.	MAX.	MIN.	MAX.	MIN.	MAX.	
t _{PLH} / t _{PHL}	Propagation Delay Time nA, nB to nY	4.5		16	26		32		38	ns
t _{TLH} / t _{THL}	Output Transition Time	4.5		7	15		19		22	ns

AC Waveform

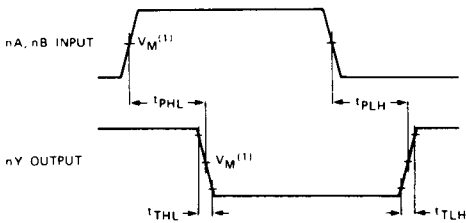


Fig. 4 Waveforms showing the input (nA, nB) to output (nY) propagation delays and the output transition times.

Note to AC waveform

- (1) HC : V_M=50%, V_I=GND to V_{CC}
HCT: V_M=1.3V, V_I=GND to 3V.