
LOW VOLTAGE DETECTOR
R×5VT SERIES

APPLICATION MANUAL

RICOH

ELECTRONIC DEVICES DIVISION

NOTICE

1. The products and the product specifications described in this application manual are subject to change or discontinuation of production without notice for reasons such as improvement. Therefore, before deciding to use the products, please refer to Ricoh sales representatives for the latest information thereon.
2. This application manual may not be copied or otherwise reproduced in whole or in part without prior written consent of Ricoh.
3. Please be sure to take any necessary formalities under relevant laws or regulations before exporting or otherwise taking out of your country the products or the technical information described herein.
4. The technical information described in this application manual shows typical characteristics of and example application circuits for the products. The release of such information is not to be construed as a warranty of or a grant of license under Ricoh's or any third party's intellectual property rights or any other rights.
5. The products listed in this document are intended and designed for use as general electronic components in standard applications (office equipment, computer equipment, measuring instruments, consumer electronic products, amusement equipment etc.). Those customers intending to use a product in an application requiring extreme quality and reliability, for example, in a highly specific application where the failure or misoperation of the product could result in human injury or death (aircraft, spacevehicle, nuclear reactor control system, traffic control system, automotive and transportation equipment, combustion equipment, safety devices, life support system etc.) should first contact us.
6. We are making our continuous effort to improve the quality and reliability of our products, but semiconductor products are likely to fail with certain probability. In order prevent any injury to persons or damages to property resulting from such failure, customers should be careful enough to incorporate safety measures in their design, such as redundancy feature, fire-containment feature and fail-safe feature. We do not assume any liability or responsibility for any loss or damage arising from misuse or inappropriate use of the products.
7. Anti-radiation design is not implemented in the products described in this application manual.
8. Please contact Ricoh sales representatives should you have any questions or comments concerning the products or the technical information.

June 1995

R5VT SERIES

APPLICATION MANUAL CONTENTS

OUTLINE	1
FEATURES	1
APPLICATIONS	1
BLOCK DIAGRAMS	2
TIME CHART	2
DEFINITION OF OUTPUT DELAY TIME t_{PLH}	2
SELECTION GUIDE	4
PIN CONFIGURATION	5
PIN DESCRIPTION	5
ABSOLUTE MAXIMUM RATINGS	6
ELECTRICAL CHARACTERISTICS	7
ELECTRICAL CHARACTERISTICS BY DETECTOR THRESHOLD	10
OPERATION	14
TEST CIRCUITS	15
TYPICAL CHARACTERISTICS	16
1) Supply Current vs. Input Voltage	16
2) Detector Threshold vs. Temperature	16
3) Output Voltage vs. Input Voltage	17
4) Nch Driver Output Current vs. V_{DS}	18
5) Nch Driver Output Current vs. Input Voltage	19
6) Pch Driver Output Current vs. Input Voltage	20
7) Output Delay Time vs. Load Capacitance	20
8) Output Delay Time vs. Input Pin Capacitance	21
TYPICAL APPLICATIONS	22
• R5VTXA CPU Reset Circuit(Nch Open Drain Output)	22
• R5VTXC CPU Reset Circuit(CMOS Output)	22
• R5VTXA Output delay Time Circuit 1	22
• R5VTXA Output delay Time Circuit 2	22
• Memory Back-up Circuit	22
• Voltage Level Indicator Circuit (lighted when the power runs out)	23
• Detector Threshold Changing Circuit	23
• Window Comparator Circuit	23
• Excessive Charge Preventing Circuit	23



PACKAGE DIMENSIONS	25
TAPING SPECIFICATIONS	26

R \times 5VT SERIES

OUTLINE

The R \times 5VT Series are voltage detector ICs with high detector threshold accuracy and ultra-low supply current by CMOS process, which can be operated at an extremely low voltage and is used, for instance, for system reset.

Each of these ICs consists of a voltage reference unit, a comparator, resistors for voltage detection, an output driver and a hysteresis circuit. The detector threshold is fixed with high accuracy.

The R \times 5VT Series are operable by a lower voltage than that for the R \times 5VL Series, and can be driven by a single battery.

Two output types, Nch open drain type and CMOS type, are available. Three types of packages, TO-92, SOT-89 (Mini-power Mold), SOT-23-5 (Mini-mold), are available.

FEATURES

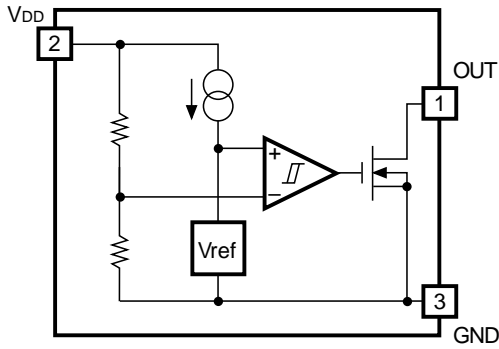
- Ultra-low Supply CurrentTYP. 0.8 μ A (V_{DD}=1.5V)
- Broad Operating Voltage Range 0.7V to 10.0V (T_{opt} =25°C)
- Detector Threshold.....Stepwise setting with a step of 0.1V in the range of 0.9V to 6.0V is possible (refer to Selection Guide).
- High Accuracy Detector Threshold..... \pm 2.5%
- Low Temperature-Drift Coefficient of Detector Threshold.....TYP. \pm 100ppm/°C
- Two Output Types.....Nch Open Drain and CMOS
- Three Types of PackagesTO-92, SOT-89 (Mini-power Mold), SOT-23-5 (Mini-mold)

APPLICATIONS

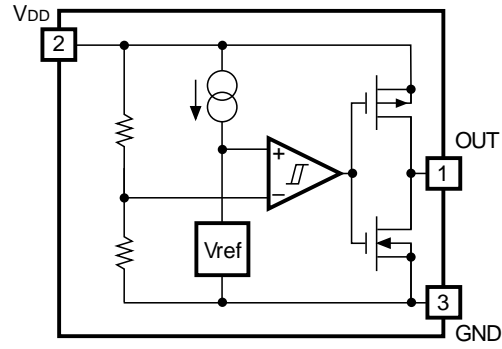
- CPU & Logic Circuit Reset
- Battery Checker
- Window Comparator
- Wave Shaping Circuit
- Battery Back-Up Circuit
- Power Failure Detector

BLOCK DIAGRAMS

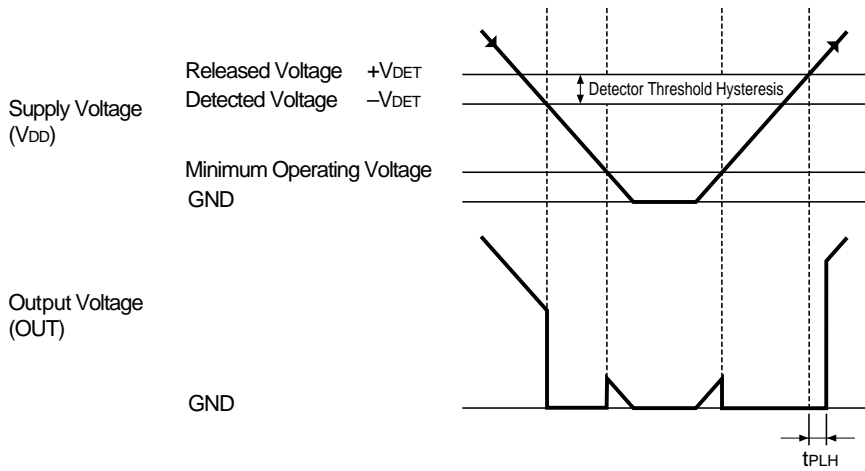
• Nch Open Drain Output (R5VTxA)



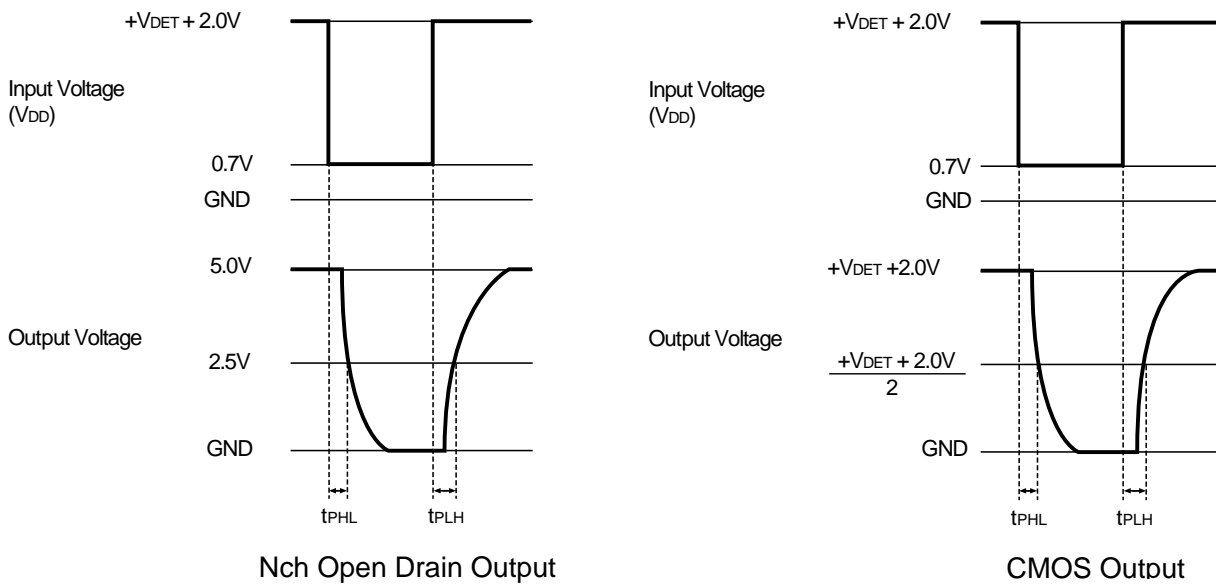
• CMOS Output (R5VTC)



TIME CHART



DEFINITION OF OUTPUT DELAY TIME tPLH



Output Delay Time t_{PLH} is defined as follows:

1. In the case of Nch Open Drain Output:

When the time at which a pulse voltage which increases from 0.7V to $+V_{DET}+2.0V$ is applied to V_{DD} is Time A, and the time at which the output voltage reaches 2.5V under the conditions that the output pin (OUT) is pulled up to 5V by a resistor of 470k Ω is Time B, the time period from Time A through Time B.

2. In the case of CMOS Output:

When the time at which a pulse voltage which increases from 0.7V to $+V_{DET}+2.0V$ is applied to V_{DD} is Time A, and the time at which the output voltage reaches the voltage of $(+V_{DET}+2.0V)/2$ is Time B, the time period from Time A through Time B.

SELECTION GUIDE

The package type, the detector threshold, the output type, the packing type, and the taping type of R5VT series can be designating at the user's request by specifying the part number as follows:

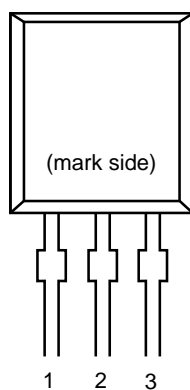
R5VT XXXX - XX ← Part Number
 ↑ ↑ ↑ ↑ ↑
 a b c d e

Code	Contents
a	Designation of Package Type: E: TO-92 H: SOT-89 (Mini-power Mold) N: SOT-23-5 (Mini-mold)
b	Setting Detector Threshold ($-V_{DET}$): Stepwise setting with a step of 0.1V in the range of 0.9V to 6.0V is possible.
c	Designation of Output Type: A: Nch Open Drain C: CMOS
d	Designation of Packing Type: A: Taping C: Antistatic bag for TO-92 and samples
e	Designation of Taping Type: Ex. TO-92: RF, RR, TZ SOT-89: T1, T2 SOT-23-5: TR, TL (refer to Taping Specifications) "TZ", "T1" and "TR" are prescribed as a standard

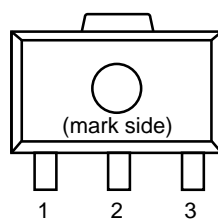
For example, the product with Package Type SOT-89, Detector Threshold 3.5V, Output Type Nch Open Drain and Taping Type T1, is designated by Part Number RH5VT35AA-T1.

PIN CONFIGURATION

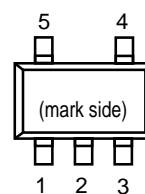
• TO-92



• SOT-89



• SOT-23-5



PIN DESCRIPTION

• TO-92

Pin No.	Symbol
1	OUT
2	V _{DD}
3	GND

• SOT-89

Pin No.	Symbol
1	OUT
2	V _{DD}
3	GND

• SOT-23-5

Pin No.	Symbol
1	OUT
2	V _{DD}
3	GND
4	NC
5	NC

ABSOLUTE MAXIMUM RATINGS

$T_{opt}=25^{\circ}\text{C}$

Symbol	Item	Rating		Unit
V _{DD}	Supply Voltage	12		V
V _{OUT}	Output Voltage	CMOS	V _{SS} -0.3 to V _{DD} +0.3	V
		Nch	V _{SS} -0.3 to 12	
I _{OUT}	Output Current	70		mA
PD1	Power Dissipation 1 (NOTE1)	300		mW
PD2	Power Dissipation 2 (NOTE2)	150		mW
T _{opt}	Operating Temperature Range	-30 to +80		°C
T _{stg}	Storage Temperature Range	-55 to +125		°C
T _{solder}	Lead Temperature (Soldering)	260°C,10s		

(NOTE 1) applied to SOT-89 and TO-92

(NOTE 2) applied to SOT-23-5

ABSOLUTE MAXIMUM RATINGS

Absolute Maximum ratings are threshold limit values that must not be exceeded even for an instant under any conditions. Moreover, such values for any two items must not be reached simultaneously. Operation above these absolute maximum ratings may cause degradation or permanent damage to the device. These are stress ratings only and do not necessarily imply functional operation below these limits.

ELECTRICAL CHARACTERISTICS

• R5VT09A/C

T_{opt}=25°C

Symbol	Item	Conditions	MIN.	TYP.	MAX.	Unit	Note
-V _{DET}	Detector Threshold		0.878	0.900	0.922	V	
V _{HYS}	Detector Threshold Hysteresis		0.027	0.045	0.063	V	
I _{SS}	Supply Current	V _{DD} =0.80V		0.8	2.4	μA	
		V _{DD} =2.90V		0.9	2.7		
V _{DDH}	Maximum Operating Voltage				10	V	
V _{DDL}	Minimum Operating Voltage	T _{opt} =25°C		0.55	0.70	V	Note 1
		-30°C≤T _{opt} ≤80°C		0.65	0.80		
I _{OUT}	Output Current	Nch	V _{DS} =0.05V, V _{DD} =0.70V	0.01	0.05	mA	
			V _{DS} =0.50V, V _{DD} =0.85V	0.05	0.50		
		Pch	V _{DS} =-2.1V, V _{DD} =4.5V	1.0	2.0	mA	
t _{PLH}	Output Delay Time				100	μs	Note 2
$\frac{\Delta-V_{DET}}{\Delta T_{opt}}$	Detector Threshold Temperature Coefficient	-30°C≤T _{opt} ≤80°C		±100		ppm/°C	

• R5VT18A/C

T_{opt}=25°C

Symbol	Item	Conditions	MIN.	TYP.	MAX.	Unit	Note
-V _{DET}	Detector Threshold		1.755	1.800	1.845	V	
V _{HYS}	Detector Threshold Hysteresis		0.054	0.090	0.126	V	
I _{SS}	Supply Current	V _{DD} =1.70V		0.8	2.4	μA	
		V _{DD} =3.80V		1.0	3.0		
V _{DDH}	Maximum Operating Voltage				10	V	
V _{DDL}	Minimum Operating Voltage	T _{opt} =25°C		0.55	0.70	V	Note 1
		-30°C≤T _{opt} ≤80°C		0.65	0.80		
I _{OUT}	Output Current	Nch	V _{DS} =0.05V, V _{DD} =0.70V	0.01	0.05	mA	
			V _{DS} =0.50V, V _{DD} =1.50V	1.00	2.00		
		Pch	V _{DS} =-2.1V, V _{DD} =4.5V	1.0	2.0	mA	
t _{PLH}	Output Delay Time				100	μs	Note 2
$\frac{\Delta-V_{DET}}{\Delta T_{opt}}$	Detector Threshold Temperature Coefficient	-30°C≤T _{opt} ≤80°C		±100		ppm/°C	

• R5VT27A/C

T_{opt}=25°C

Symbol	Item	Conditions	MIN.	TYP.	MAX.	Unit	Note
-V _{DET}	Detector Threshold		2.633	2.700	2.767	V	
V _{HYS}	Detector Threshold Hysteresis		0.081	0.135	0.189	V	
I _{SS}	Supply Current	V _{DD} =2.60V		0.9	2.7	μA	
		V _{DD} =4.70V		1.1	3.3		
V _{DDH}	Maximum Operating Voltage				10	V	
V _{DDL}	Minimum Operating Voltage	T _{opt} =25°C		0.55	0.70	V	Note 1
		-30°C≤T _{opt} ≤80°C		0.65	0.80		
I _{OUT}	Output Current	Nch	V _{DS} =0.05V, V _{DD} =0.70V	0.01	0.05	mA	
			V _{DS} =0.50V, V _{DD} =1.50V	1.00	2.00		
		Pch	V _{DS} =-2.1V, V _{DD} =4.5V	1.0	2.0	mA	
t _{PLH}	Output Delay Time				100	μs	Note 2
$\frac{\Delta-V_{DET}}{\Delta T_{opt}}$	Detector Threshold Temperature Coefficient	-30°C≤T _{opt} ≤80°C		±100		ppm/°C	

T_{opt}=25°C

Symbol	Item	Conditions	MIN.	TYP.	MAX.	Unit	Note
-V _{DET}	Detector Threshold		3.510	3.600	3.690	V	
V _{HYS}	Detector Threshold Hysteresis		0.108	0.180	0.252	V	
I _{SS}	Supply Current	V _{DD} =3.47V		1.0	3.0	μA	
		V _{DD} =5.60V		1.2	3.6		
V _{DDH}	Maximum Operating Voltage				10	V	
V _{DDL}	Minimum Operating Voltage	T _{opt} =25°C		0.55	0.70	V	Note 1
		-30°C≤T _{opt} ≤80°C		0.65	0.80		
I _{OUT}	Output Current	Nch	V _{DS} =0.05V, V _{DD} =0.70V	0.01	0.05	mA	
			V _{DS} =0.50V, V _{DD} =1.50V	1.00	2.00		
		Pch	V _{DS} =-2.1V, V _{DD} =4.5V	1.0	2.0	mA	
t _{PLH}	Output Delay Time				100	μs	Note 2
$\frac{\Delta-V_{DET}}{\Delta T_{opt}}$	Detector Threshold Temperature Coefficient	-30°C≤T _{opt} ≤80°C		±100		ppm/°C	

• R5VT45A/C

T_{opt}=25°C

Symbol	Item	Conditions	MIN.	TYP.	MAX.	Unit	Note
-V _{DET}	Detector Threshold		4.388	4.500	4.612	V	
V _{HYS}	Detector Threshold Hysteresis		0.135	0.225	0.315	V	
I _{SS}	Supply Current	V _{DD} =4.34V		1.1	3.3	μA	
		V _{DD} =6.50V		1.3	3.9		
V _{DDH}	Maximum Operating Voltage				10	V	
V _{DDL}	Minimum Operating Voltage	T _{opt} =25°C		0.55	0.70	V	Note 1
		-30°C≤T _{opt} ≤80°C		0.65	0.80		
I _{OUT}	Output Current	Nch	V _{DS} =0.05V, V _{DD} =0.70V	0.01	0.05	mA	
			V _{DS} =0.50V, V _{DD} =1.50V	1.00	2.00		
		Pch	V _{DS} =-2.1V, V _{DD} =8.0V	1.5	3.0	mA	
t _{PLH}	Output Delay Time				100	μs	Note 2
$\frac{\Delta-V_{DET}}{\Delta T_{opt}}$	Detector Threshold Temperature Coefficient	-30°C≤T _{opt} ≤80°C		±100		ppm/°C	

• R5VT54A/C

T_{opt}=25°C

Symbol	Item	Conditions	MIN.	TYP.	MAX.	Unit	Note
-V _{DET}	Detector Threshold		5.265	5.400	5.535	V	
V _{HYS}	Detector Threshold Hysteresis		0.162	0.270	0.378	V	
I _{SS}	Supply Current	V _{DD} =5.20V		1.2	3.6	μA	
		V _{DD} =7.40V		1.4	4.2		
V _{DDH}	Maximum Operating Voltage				10	V	
V _{DDL}	Minimum Operating Voltage	T _{opt} =25°C		0.55	0.70	V	Note 1
		-30°C≤T _{opt} ≤80°C		0.65	0.80		
I _{OUT}	Output Current	Nch	V _{DS} =0.05V, V _{DD} =0.70V	0.01	0.05	mA	
			V _{DS} =0.50V, V _{DD} =1.50V	1.00	2.00		
		Pch	V _{DS} =-2.1V, V _{DD} =8.0V	1.5	3.0	mA	
t _{PLH}	Output Delay Time				100	μs	Note 2
$\frac{\Delta-V_{DET}}{\Delta T_{opt}}$	Detector Threshold Temperature Coefficient	-30°C≤T _{opt} ≤80°C		±100		ppm/°C	

(Note 1) Minimum Operating Voltage means the value of input voltage when output voltage maintains 0.1V or less, provided that in the case of Nch Open Drain Type Products, the pull-up resistance is set at 470kΩ, and the pull-up voltage is set at 5.0V.

(Note 2) Refer to the previously defined "Output Delay Time t_{PLH}".

ELECTRICAL CHARACTERISTICS BY DETECTOR THRESHOLD

• R5VT09A/C to R5VT39A/C

Part Number	Detector Threshold			Detector Threshold Hysteresis			Supply Current 1			Supply Current 2																																	
	-V _{DET} (V)			V _{HYS} (V)			I _{SS} (μ A)			I _{SS} (μ A)																																	
	MIN.	TYP.	MAX.	MIN.	TYP.	MAX.	Conditions	TYP.	MAX.	Conditions	TYP.	MAX.																															
R5VT09A/C	0.878	0.900	0.922	0.027	0.045	0.063	V _{DD} = (-V _{DET}) -0.10V	0.8	2.4	V _{DD} = (-V _{DET}) +2.0V	0.9	2.7																															
R5VT10A/C	0.975	1.000	1.025	0.030	0.050	0.070					0.9	2.7	1.1	3.3																													
R5VT11A/C	1.073	1.100	1.127	0.033	0.055	0.077									1.0	3.0	1.2	3.6																									
R5VT12A/C	1.170	1.200	1.230	0.036	0.060	0.084													1.0	3.0	1.2	3.6																					
R5VT13A/C	1.268	1.300	1.332	0.039	0.065	0.091																	1.0	3.0	1.2	3.6																	
R5VT14A/C	1.365	1.400	1.435	0.042	0.070	0.098																					1.0	3.0	1.2	3.6													
R5VT15A/C	1.463	1.500	1.537	0.045	0.075	0.105																									1.0	3.0	1.2	3.6									
R5VT16A/C	1.560	1.600	1.640	0.048	0.080	0.112																													1.0	3.0	1.2	3.6					
R5VT17A/C	1.658	1.700	1.742	0.051	0.085	0.119																																	1.0	3.0	1.2	3.6	
R5VT18A/C	1.755	1.800	1.845	0.054	0.090	0.126																																					1.0
R5VT19A/C	1.853	1.900	1.947	0.057	0.095	0.133		1.0	3.0	1.2																																	
R5VT20A/C	1.950	2.000	2.050	0.060	0.100	0.140					1.0	3.0	1.2	3.6																													
R5VT21A/C	2.048	2.100	2.152	0.063	0.105	0.147									1.0	3.0	1.2	3.6																									
R5VT22A/C	2.145	2.200	2.255	0.066	0.110	0.154													1.0	3.0	1.2	3.6																					
R5VT23A/C	2.243	2.300	2.357	0.069	0.115	0.161																	1.0	3.0	1.2	3.6																	
R5VT24A/C	2.340	2.400	2.460	0.072	0.120	0.168																					1.0	3.0	1.2	3.6													
R5VT25A/C	2.438	2.500	2.562	0.075	0.125	0.175																									1.0	3.0	1.2	3.6									
R5VT26A/C	2.535	2.600	2.665	0.078	0.130	0.182																													1.0	3.0	1.2	3.6					
R5VT27A/C	2.633	2.700	2.767	0.081	0.135	0.189																																	1.0	3.0	1.2	3.6	
R5VT28A/C	2.730	2.800	2.870	0.084	0.140	0.196																																					1.0
R5VT29A/C	2.828	2.900	2.972	0.087	0.145	0.203	1.0	3.0	1.2	3.6																																	
R5VT30A/C	2.925	3.000	3.075	0.090	0.150	0.210					1.0	3.0	1.2	3.6																													
R5VT31A/C	3.023	3.100	3.177	0.093	0.155	0.217									1.0	3.0	1.2	3.6																									
R5VT32A/C	3.120	3.200	3.280	0.096	0.160	0.224													1.0	3.0	1.2	3.6																					
R5VT33A/C	3.218	3.300	3.382	0.099	0.165	0.231																	1.0	3.0	1.2	3.6																	
R5VT34A/C	3.315	3.400	3.485	0.102	0.170	0.238																					1.0	3.0	1.2	3.6													
R5VT35A/C	3.413	3.500	3.587	0.105	0.175	0.245																									1.0	3.0	1.2	3.6									
R5VT36A/C	3.510	3.600	3.690	0.108	0.180	0.252																													1.0	3.0	1.2	3.6					
R5VT37A/C	3.608	3.700	3.792	0.111	0.185	0.259																																	1.0	3.0	1.2	3.6	
R5VT38A/C	3.705	3.800	3.895	0.114	0.190	0.266																																					1.0

(Note 1) Refer to the previously defined "Output Delay Time t_{PLH} ".

(Note 2) Refer to the previously defined "Minimum Operating Voltage".

Condition 1: $T_{opt} = 25^{\circ}\text{C}$ Condition 2: $-30^{\circ}\text{C} \leq T_{opt} \leq 80^{\circ}\text{C}$

T_{opt}=25°C

Output Current 1			Output Current 2			Output Current 3			Output Delay Time	Minimum Operating Voltage		Detector Threshold Tempco.		
I _{OUT} (mA)			I _{OUT} (mA)			I _{OUT} (mA)			t _{PLH} (μs)	V _{DDL} (V)		Δ-V _{DET} /ΔT _{opt} (ppm/°C)		
Conditions	MIN.	TYP.	Conditions	MIN.	TYP.	Conditions	MIN.	TYP.	MAX.	TYP.	MAX.	Conditions	TYP.	
Nch	0.01	0.05	V _{DS} = 0.05V	V _{DD} = 0.85V	0.05	0.50	Pch	1.0	2.0	Note 1 100	Note 2	Note 2	-30°C ≤ T _{opt} ≤ 80°C	±100
				V _{DD} = 1.0V	0.2	1.0								
			V _{DD} = 1.5V	1.0	2.0	V _{DS} = -2.1V								
V _{DD} = 0.7V						V _{DD} = 4.5V				Condition 2 0.65	Condition 2 0.80			

• R5VT40A/C to R5VT60A/C

Part Number	Detector Threshold			Detector Threshold Hysteresis			Supply Current 1			Supply Current 2		
	-V _{DET} (V)			V _{HYS} (V)			I _{SS} (μA)			I _{SS} (μA)		
	MIN.	TYP.	MAX.	MIN.	TYP.	MAX.	Conditions	TYP.	MAX.	Conditions	TYP.	MAX.
R5VT40A/C	3.900	4.000	4.100	0.120	0.200	0.280	V _{DD} = (-V _{DET}) -0.16V	1.1	3.3	V _{DD} = (-V _{DET}) +2.0V	1.3	3.9
R5VT41A/C	3.998	4.100	4.202	0.123	0.205	0.287						
R5VT42A/C	4.095	4.200	4.305	0.126	0.210	0.294						
R5VT43A/C	4.193	4.300	4.407	0.129	0.215	0.301						
R5VT44A/C	4.290	4.400	4.510	0.132	0.220	0.308						
R5VT45A/C	4.388	4.500	4.612	0.135	0.225	0.315						
R5VT46A/C	4.485	4.600	4.715	0.138	0.230	0.322						
R5VT47A/C	4.583	4.700	4.817	0.141	0.235	0.329						
R5VT48A/C	4.680	4.800	4.920	0.144	0.240	0.336						
R5VT49A/C	4.778	4.900	5.022	0.147	0.245	0.343						
R5VT50A/C	4.875	5.000	5.125	0.150	0.250	0.350	V _{DD} = (-V _{DET}) -0.20V	1.2	3.6	1.4	4.2	
R5VT51A/C	4.973	5.100	5.277	0.153	0.255	0.357						
R5VT52A/C	5.070	5.200	5.330	0.156	0.260	0.364						
R5VT53A/C	5.168	5.300	5.432	0.159	0.265	0.371						
R5VT54A/C	5.265	5.400	5.535	0.162	0.270	0.378						
R5VT55A/C	5.363	5.500	5.637	0.165	0.275	0.385						
R5VT56A/C	5.460	5.600	5.740	0.168	0.280	0.392						
R5VT57A/C	5.558	5.700	5.842	0.171	0.285	0.399						
R5VT58A/C	5.655	5.800	5.945	0.174	0.290	0.406						
R5VT59A/C	5.753	5.900	6.047	0.177	0.295	0.413						

(Note 1) Refer to the previously defined "Output Delay Time t_{PLH}".
 (Note 2) Refer to the previously defined "Minimum Operating Voltage".
 Condition 1: T_{opt} = 25°C
 Condition 2: -30°C ≤ T_{opt} ≤ 80°C

T_{opt}=25°C

Output Current 1			Output Current 2				Output Current 3			Output Delay Time	Minimum Operating Voltage		Detector Threshold Tempco.	
I _{OUT} (mA)			I _{OUT} (mA)				I _{OUT} (mA)			t _{PLH} (μs)	V _{DOL} (V)		Δ-V _{DET} /ΔT _{opt} (ppm/°C)	
Conditions	MIN.	TYP.	Conditions		MIN.	TYP.	Conditions	MIN.	TYP.	MAX.	TYP.	MAX.	Conditions	TYP.
Nch							Pch				Note 2	Note 2		
V _{DS} = 0.05V	0.01	0.05	V _{DS} = 0.50V	V _{DOL} = 1.5V	1.0	2.0	V _{DS} = -2.1V	1.5	3.0	Note 1 100	Condition 1 0.55	Condition 1 0.70	-30°C ≤ T _{opt} ≤80°C	±100
V _{DOL} = 0.7V							V _{DOL} = 8.0V				Condition 2 0.65	Condition 2 0.80		

OPERATION

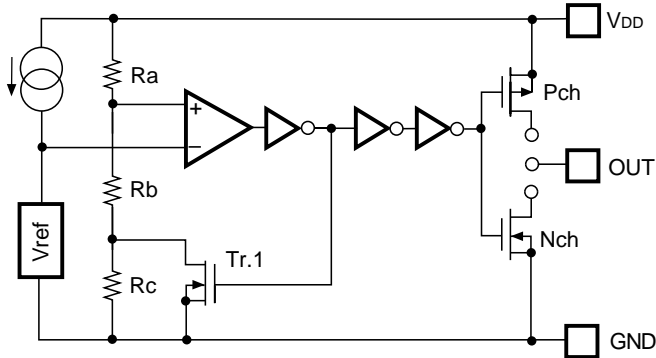


FIG. 1 Block Diagram

- In R5VTXA, Nch Tr. drain is connected to OUT pin.
- In R5VTC, Nch Tr. drain and Pch Tr. drain are connected to OUT pin.

Operation Diagram

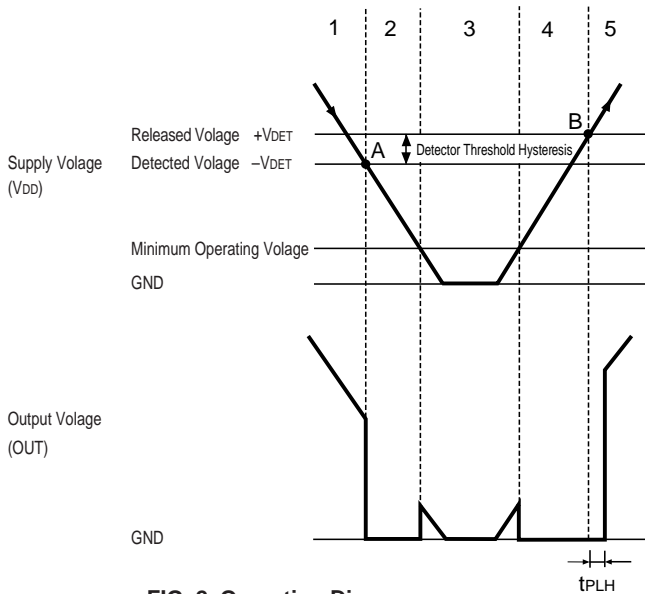


FIG. 2 Operation Diagram

Step	Step 1	Step 2	Step 3	Step 4	Step 5
Comparator(+) Pin Input Voltage	I	II	II	II	I
Comparator Output	H	L	Indefinite	L	H
Tr. 1	OFF	ON	Indefinite	ON	OFF
Output Tr.	Pch	ON	OFF	Indefinite	OFF
	Nch	OFF	ON	Indefinite	ON

$$I. \frac{R_b + R_c}{R_a + R_b + R_c} \cdot V_{DD}$$

$$II. \frac{R_b}{R_a + R_b} \cdot V_{DD}$$

Step 1. Output Voltage is equal to Power Source Voltage (V_{DD}).

Step 2. When Input Voltage to Comparator reaches the state of $V_{ref} \geq V_{DD} \cdot (R_b + R_c) / (R_a + R_b + R_c)$ at Point A (Detected Voltage $-V_{DET}$), the output of Comparator is reserved, so that Output Voltage becomes GND.

Step 3. In the case of CMOS Output, Output Voltage becomes unstable when Supply Voltage (V_{DD}) is smaller than Minimum Operating Voltage. In the case of Nch Open Drain Output, a pulled-up voltage is output.

Step 4. Output Voltage becomes equal to GND.

Step 5. When Input Voltage to Comparator reaches the state of $V_{ref} \leq V_{DD} \cdot (R_b) / (R_a + R_b)$ at Point B (Released Voltage $+V_{DET}$), the output of Comparator is reversed, so that Output Voltage becomes equal to Supply Voltage (V_{DD}).

TEST CIRCUITS

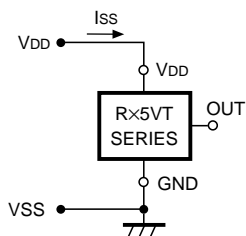


FIG. 3 Supply Current Test Circuit

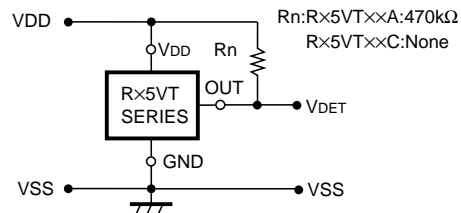


FIG. 4 Detector Threshold Test Circuit

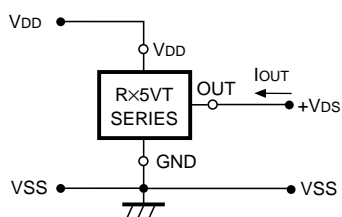


FIG. 5 Nch Driver Output Current Test Circuit

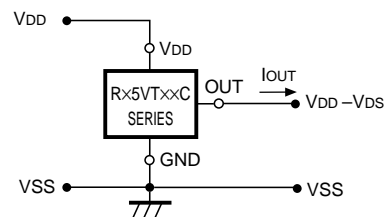


FIG. 6 Pch Driver Output Current Test Circuit

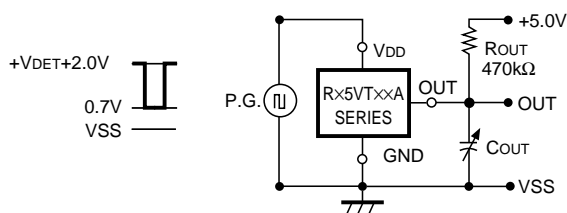


FIG. 7 Output Delay Time Test Circuit (1)

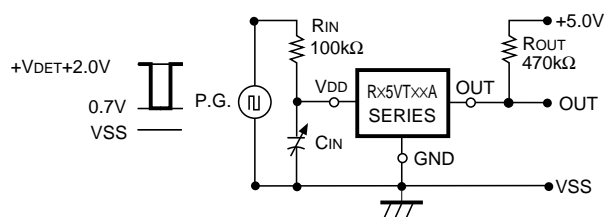
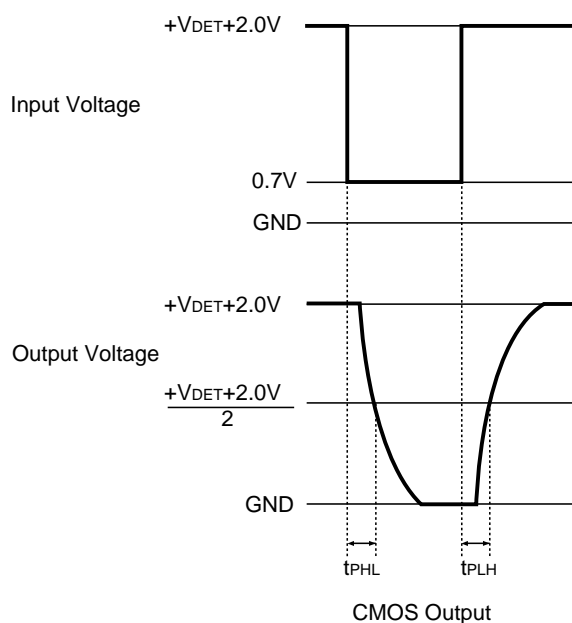
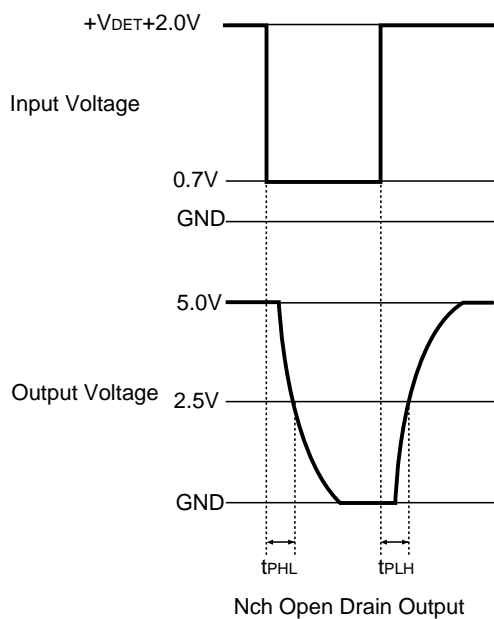


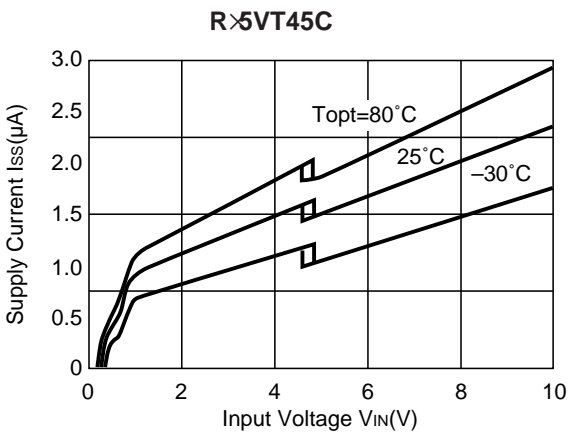
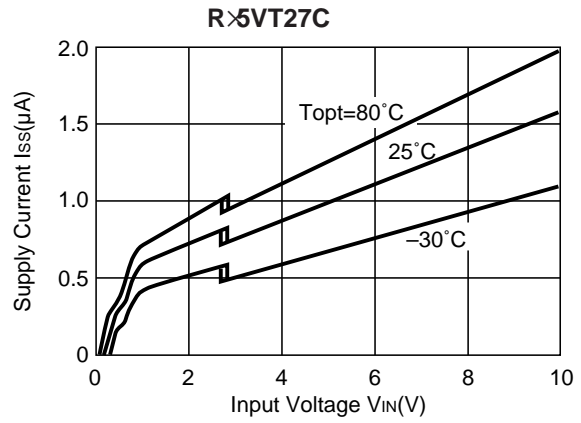
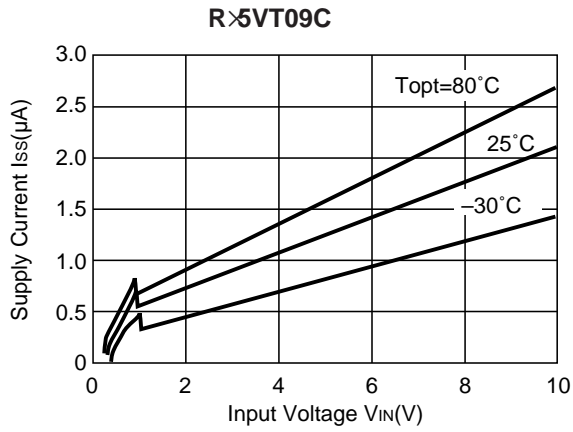
FIG. 8 Output Delay Time Test Circuit (2)

In Output Delay Time Test Circuits (1) and (2) in FIG. 7 and FIG. 8, their respective Output Voltage Fall Times (t_{PHL}) and Rise Times (t_{PLH}) are defined as shown below.

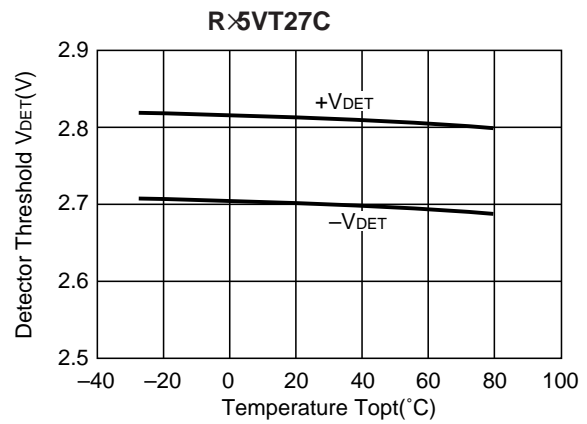
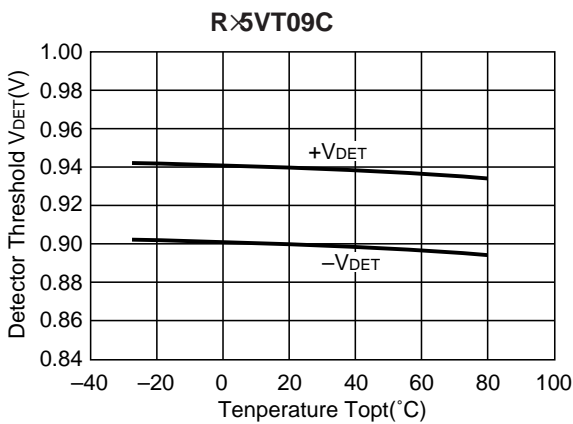


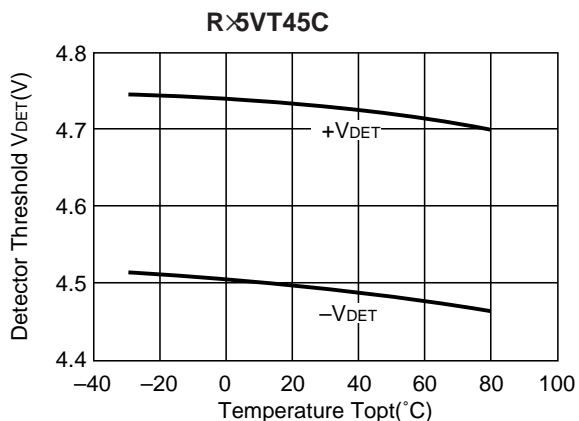
TYPICAL CHARACTERISTICS

1) Supply Current vs. Input Voltage

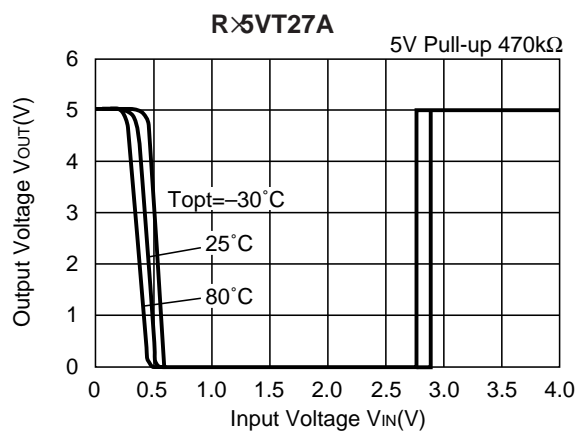
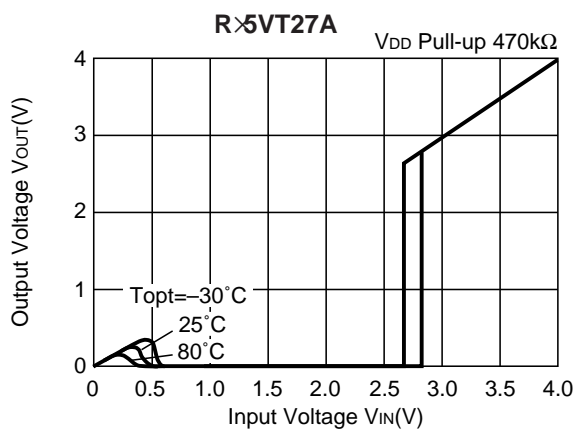
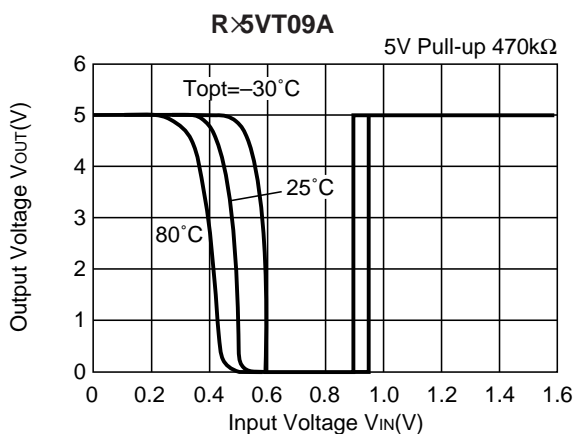
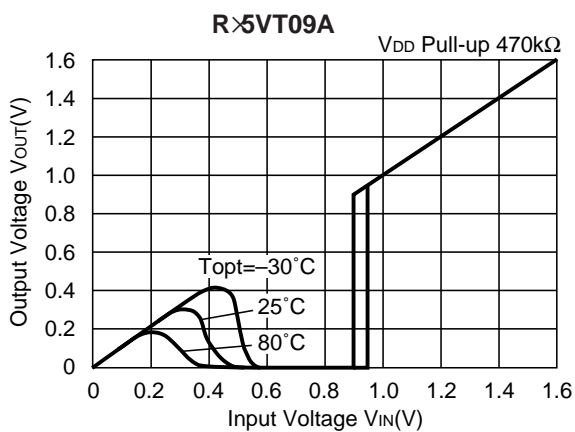


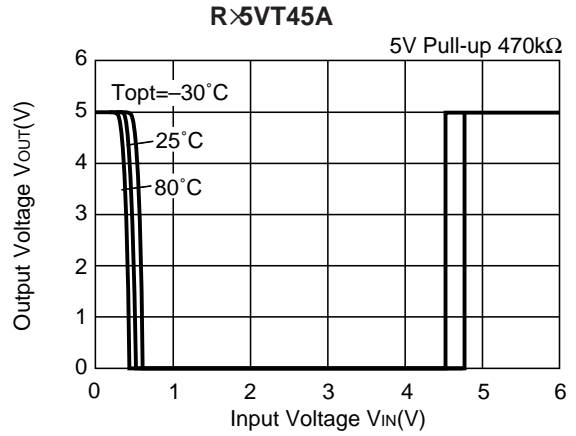
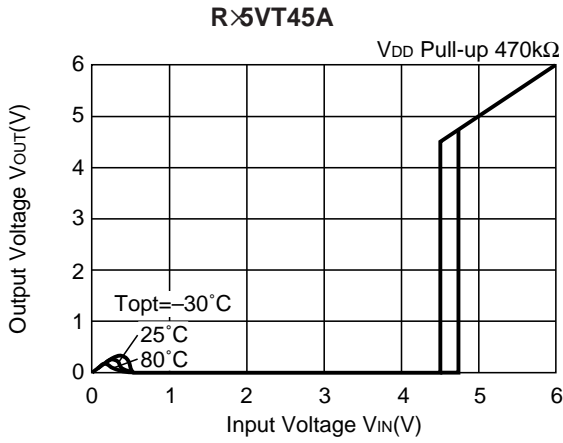
2) Detector Threshold vs. Temperature



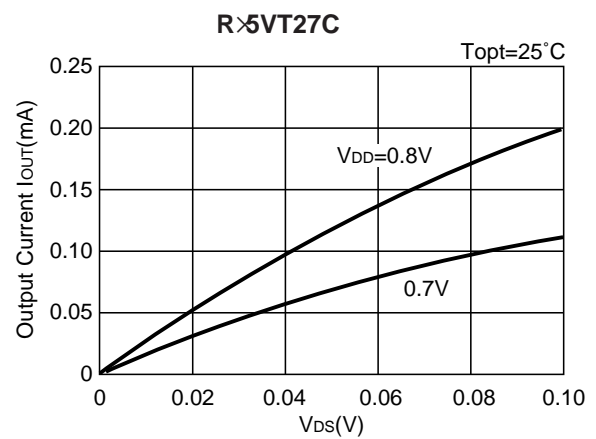
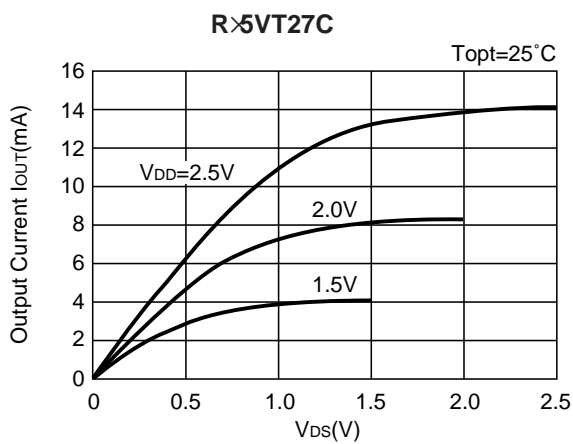
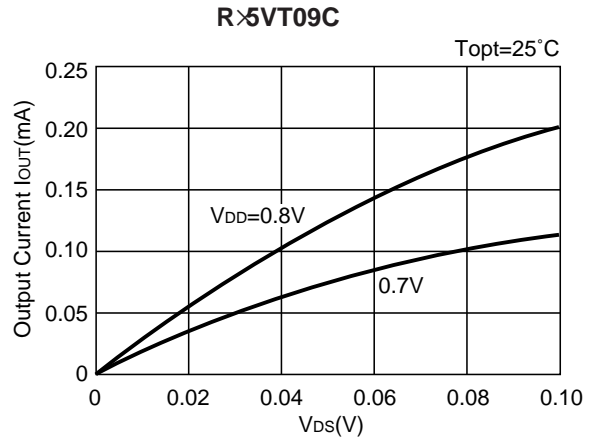
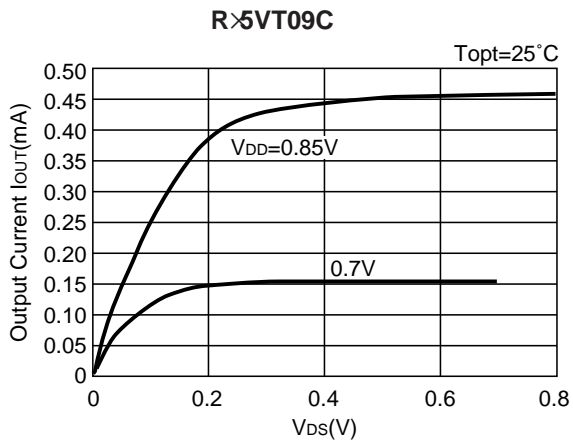


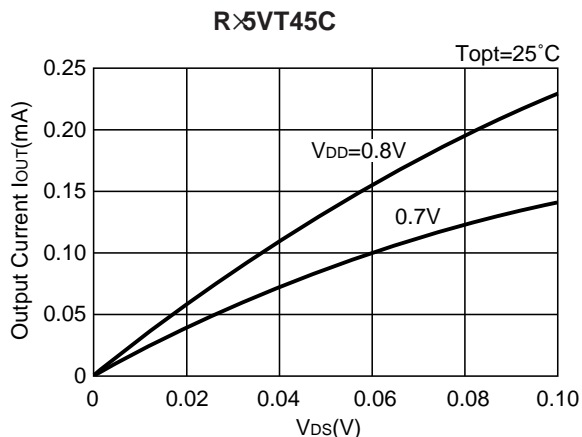
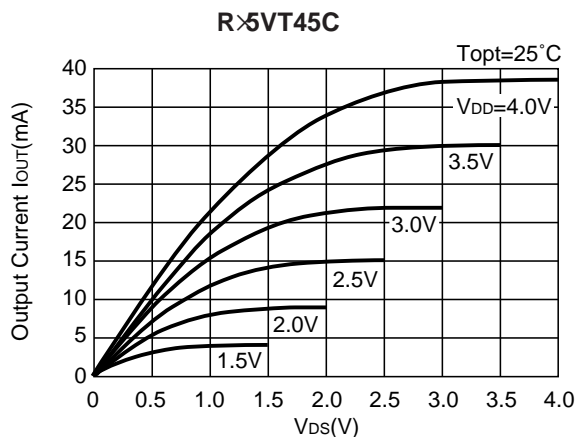
3) Output Voltage vs. Input Voltage



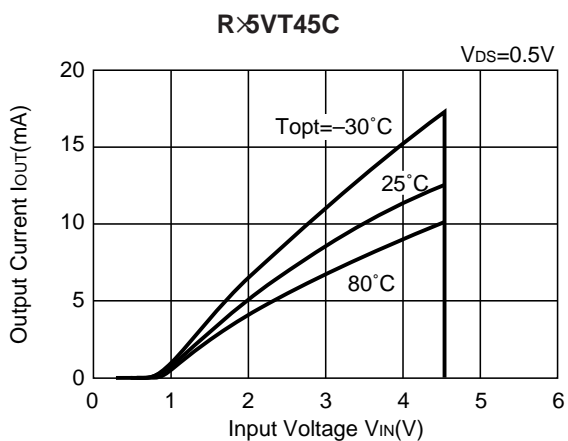
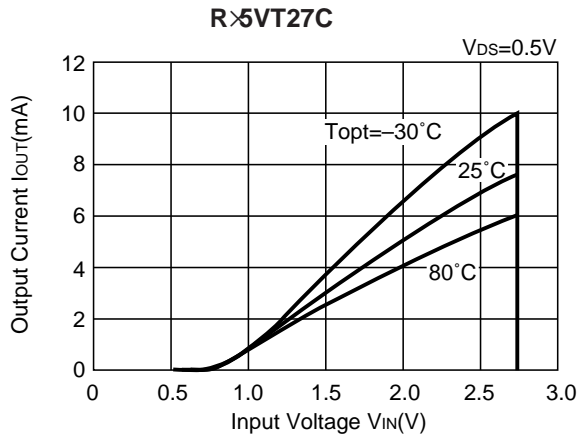
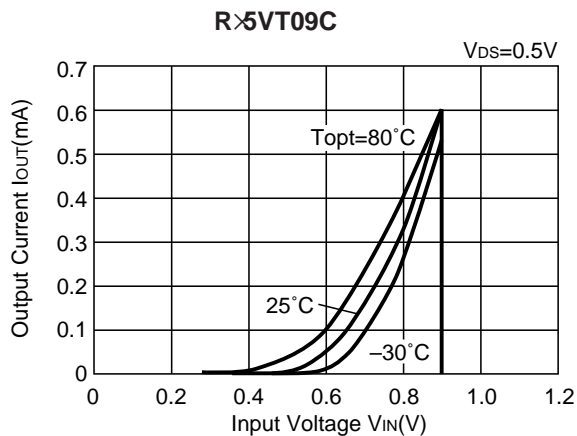


4) Nch Driver Output Current vs. V_{DS}

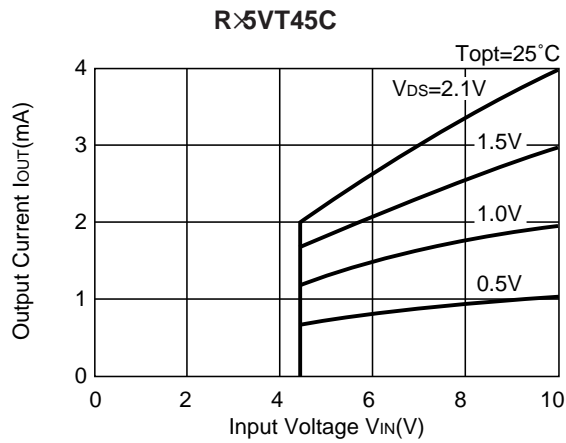
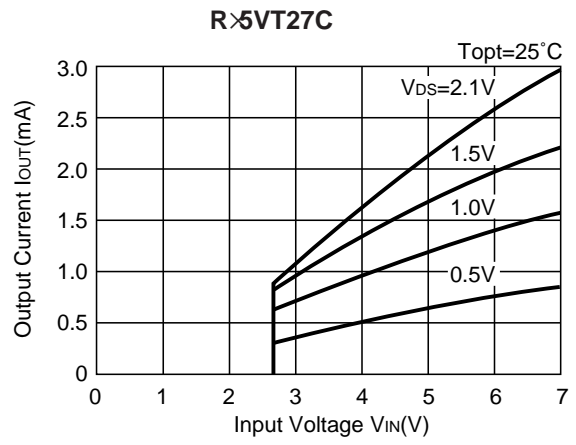
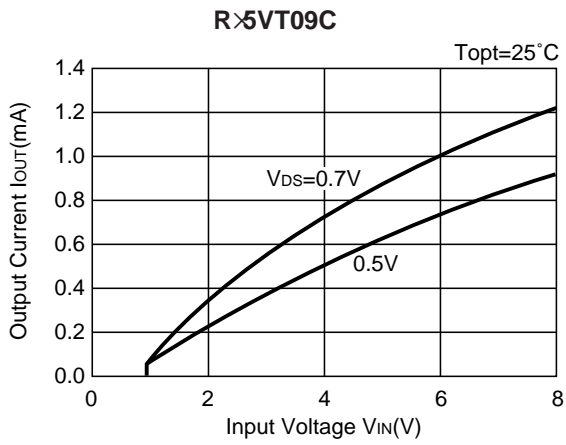




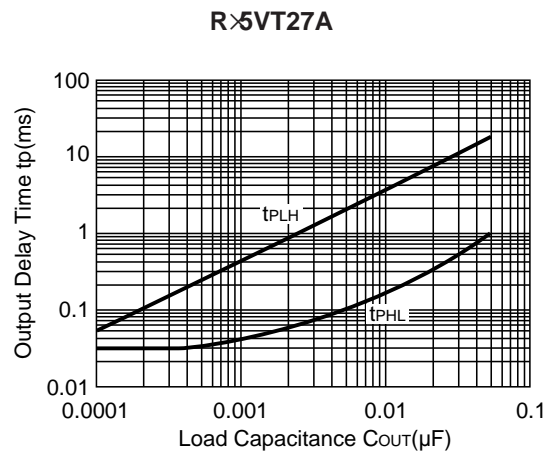
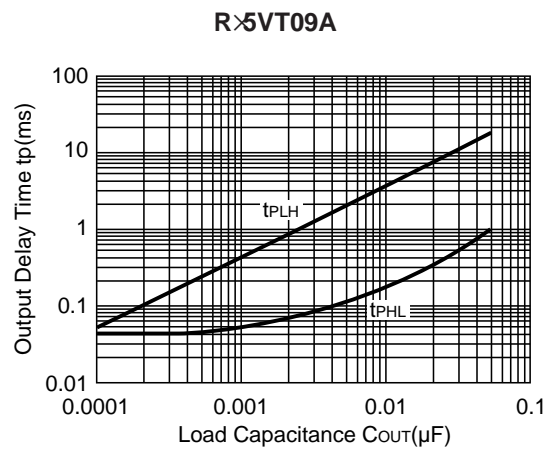
5) Nch Driver Output Current vs. Input Voltage



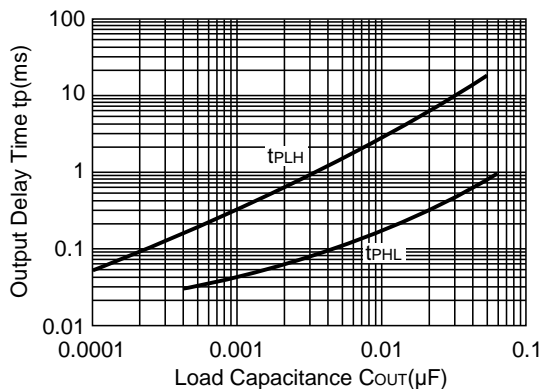
6) Pch Driver Output Current vs. Input Voltage



7) Output Delay Time vs. Load Capacitance

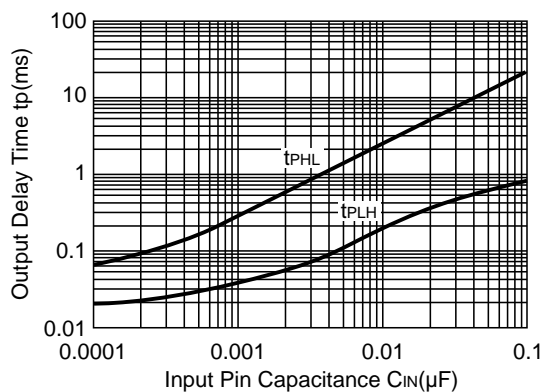


R5VT45A

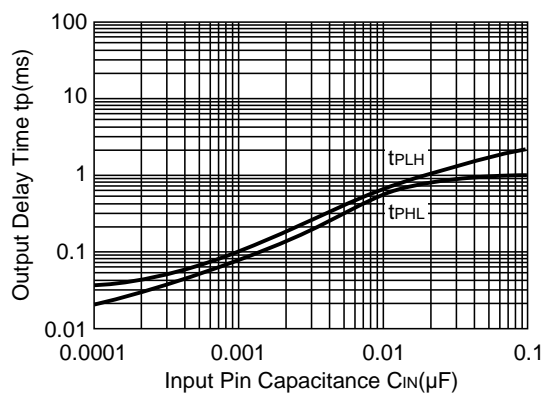


8) Output Delay Time vs. Input Pin Capacitance

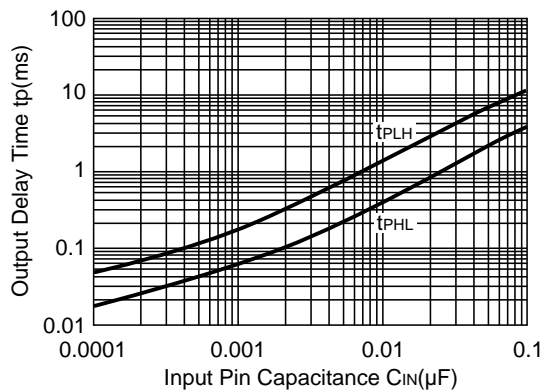
R5VT09A



R5VT27A



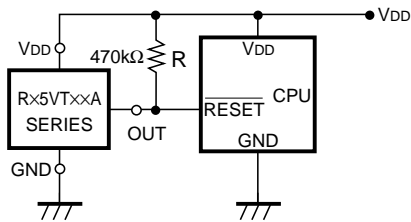
R5VT45A



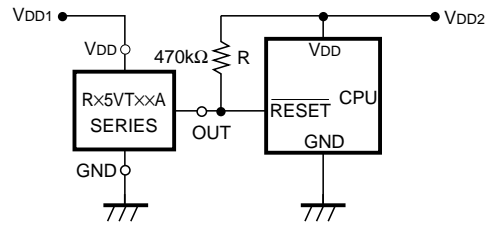
TYPICAL APPLICATIONS

• R5VTxA CPU Reset Circuit (Nch Open Drain Output)

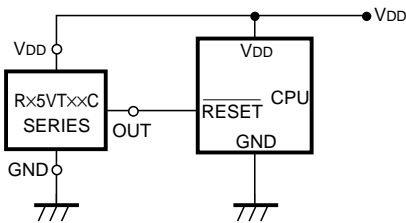
(1) Input Voltage to R5VTxA is the same as the input voltage to CPU.



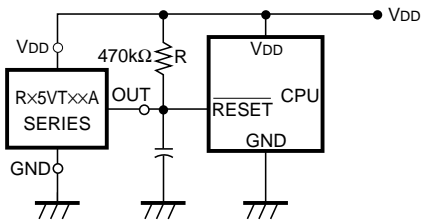
(2) Input Voltage to R5VTxA is different from the input voltage to CPU.



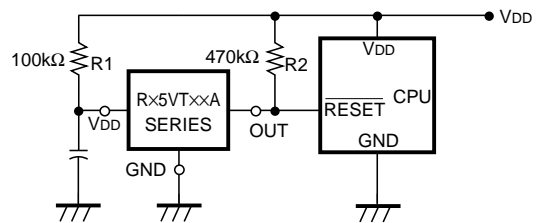
• R5VTxC CPU Reset Circuit (CMOS Output)



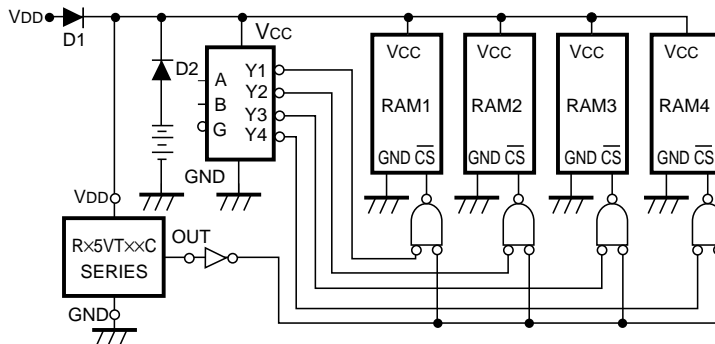
• R5VTxA Output delay Time Circuit 1



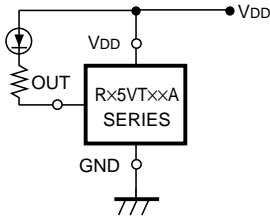
• R5VTxA Output delay Time Circuit 2



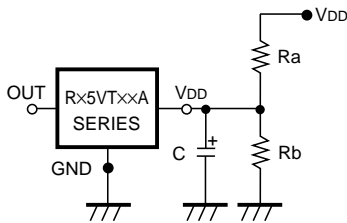
• Memory Back-up Circuit



• Voltage Level Indicator Circuit (lighted when the power runs out)
(Nch Open Drain Output)



• Detector Threshold Changing Circuit
(Nch Open Drain Output)

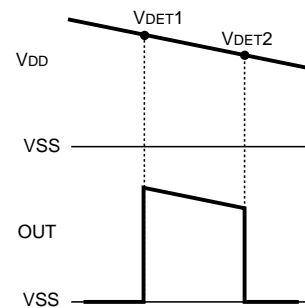
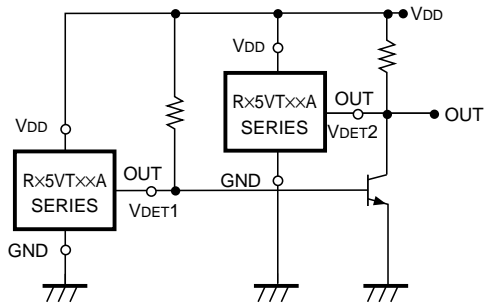


$$\text{Changed Detector Threshold} = \frac{R_a + R_b}{R_b} \cdot (-V_{DET})$$

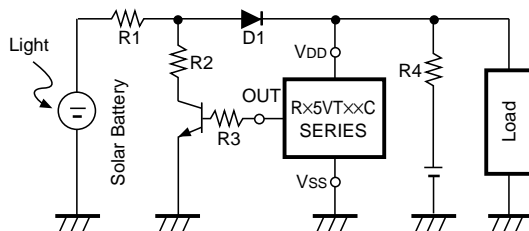
$$\text{Hysteresis Voltage} = \frac{R_a + R_b}{R_b} \cdot V_{HYS}$$

(Note) Please note that when the value of Ra becomes excessively large, the detector threshold detected may differ from the value calculated by use of the above formula.

• Window Comparator Circuit
(Nch Open Drain Output)



• Excessive Charge Preventing Circuit



APPLICATION HINTS

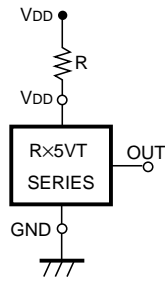


FIG.9

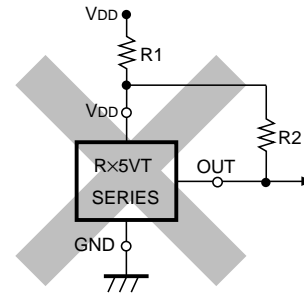
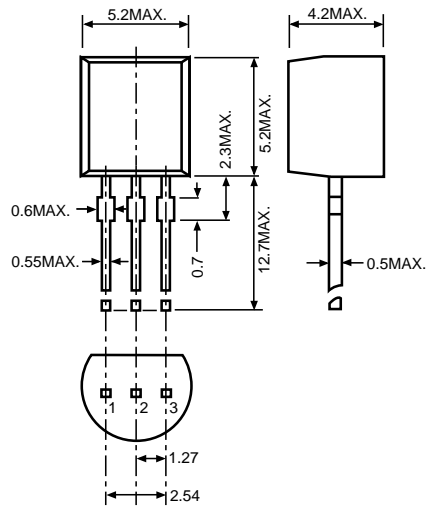


FIG.10

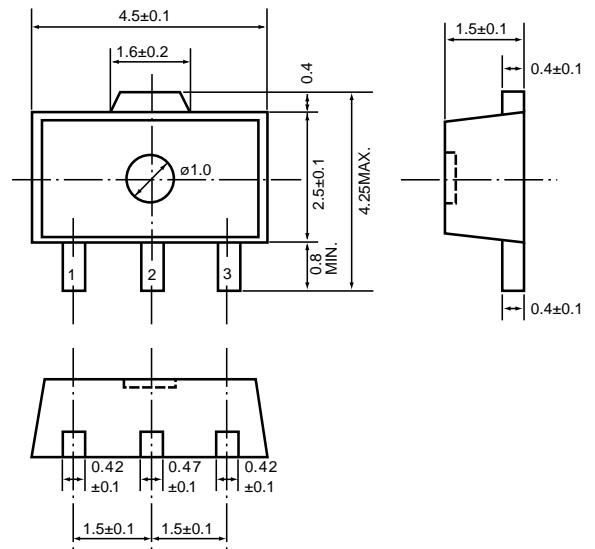
1. When R5VT×C (CMOS Output) is used in FIG. 9, this IC may oscillate by the through-type current at the detection when impedance is connected between Power Source VDD and R5VT VDD Pin. When R5VT×A (Nch Open Drain Output) is used in FIG. 9, and R becomes excessively large, Detector Threshold may be varied because of the voltage drop of the supply current in the IC itself.
2. The connection as shown in FIG. 10 may cause the oscillation in both R5VT×C (CMOS Output) and R5VT×A (Nch Open Drain Output).

PACKAGE DIMENSIONS (Unit: mm)

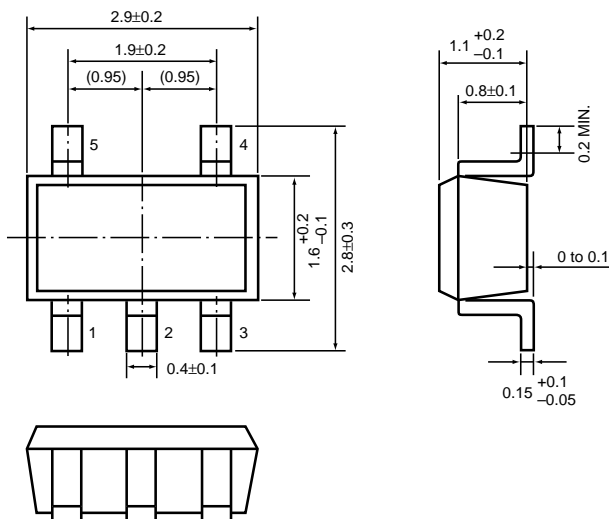
• TO-92



• SOT-89

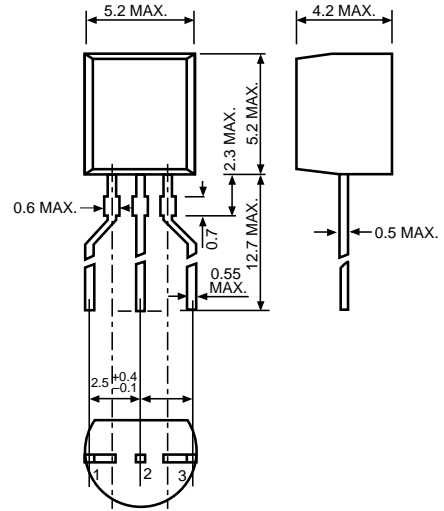
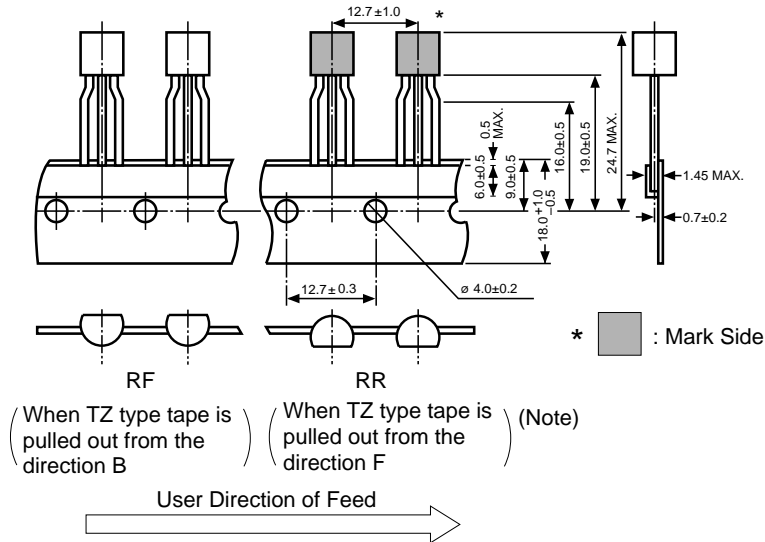


• SOT-23-5

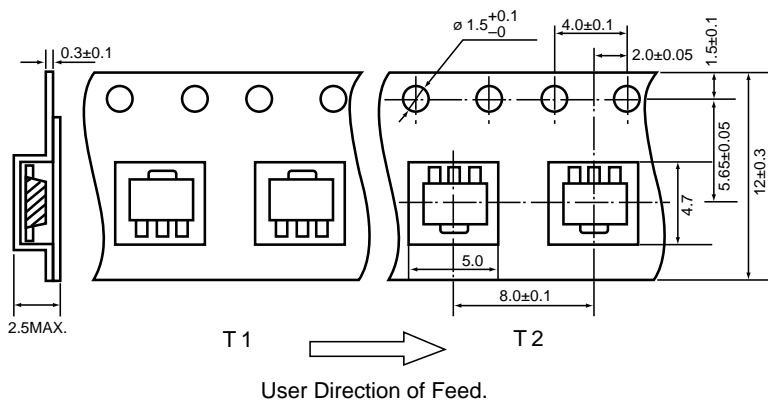


TAPING SPECIFICATIONS (Unit: mm)

• TO-92



• SOT-89



(Note) When taping is conducted, the pins of TO-92 are subjected to a particular forming.

(Note) TZ type tape is not in the form of a reel, but is packed in a zigzag state in a box. Therefore, the tape can be used as either an RF type tape or an RR type tape, depending upon the pulling out direction (B or F).

• SOT-23-5

