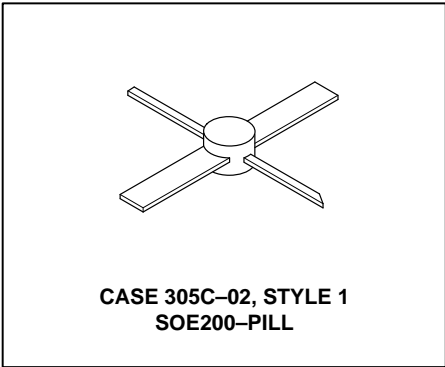
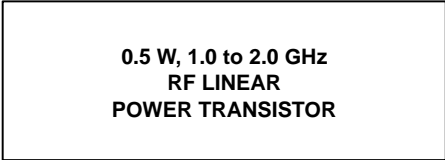


# The RF Line NPN Silicon RF Power Transistor

The MRF6401 is designed for Class A common emitter, linear power amplifiers in the 1.0–2.0 GHz frequency range. It has been specifically designed for use in Personal Communications Network (PCN) base station and INMARSAT Standard M applications.

- Specified 20 Volts, 1.66 GHz Characteristics:
  - Output Power — 0.5 Watts
  - Gain — 10 dB Min
  - Class A Operation
- Specified 20 Volts, 1.88 GHz Characteristics:
  - Output Power — 0.5 Watts
  - Gain — 9.0 dB Min
  - Class A Operation
- Circuit Board Photomaster Available by Ordering Document MRF6401PHT/D from Motorola Literature Distribution.



## MAXIMUM RATINGS

Rating	Symbol	Value	Unit
Collector–Emitter Voltage	$V_{CEO}$	22	Vdc
Collector–Base Voltage	$V_{CB0}$	45	Vdc
Emitter–Base Voltage	$V_{EBO}$	3.5	Vdc
Operating Junction Temperature	$T_J$	200	°C
Total Device Dissipation @ $T_C = 25^\circ\text{C}$ Derate above $25^\circ\text{C}$	$P_D$	5.8 0.033	Watts W/°C
Storage Temperature Range	$T_{stg}$	–65 to +150	°C

## THERMAL CHARACTERISTICS

Characteristic	Symbol	Max	Unit
Thermal Resistance, Junction to Case (1)	$R_{\theta JC}$	30	°C/W

## ELECTRICAL CHARACTERISTICS ( $T_C = 25^\circ\text{C}$ unless otherwise noted)

Characteristic	Symbol	Min	Typ	Max	Unit
----------------	--------	-----	-----	-----	------

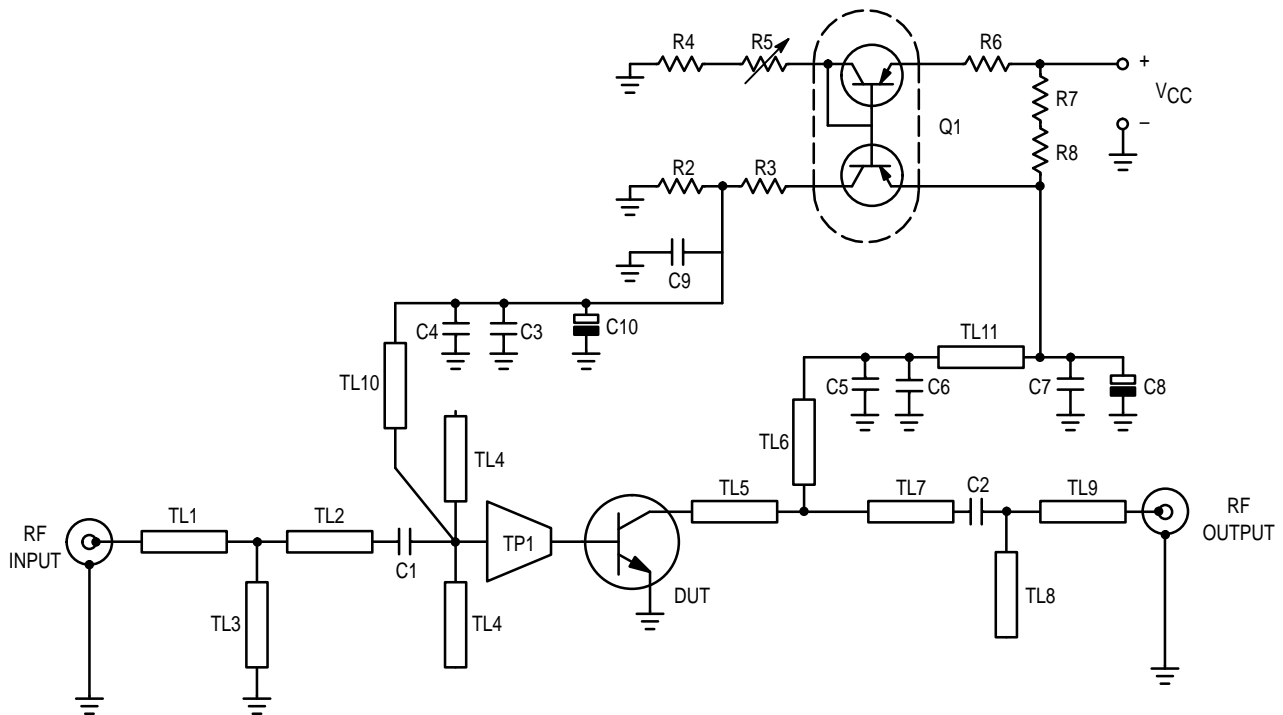
## OFF CHARACTERISTICS

Collector–Emitter Breakdown Voltage ( $I_C = 10 \text{ mAdc}$ , $R_B = 75 \Omega$ )	$V_{(BR)CER}$	28	—	—	Vdc
Emitter–Base Breakdown Voltage ( $I_E = 0.25 \text{ mAdc}$ )	$V_{(BR)EBO}$	3.5	—	—	Vdc
Collector–Base Breakdown Voltage ( $I_C = 1 \text{ mAdc}$ )	$V_{(BR)CBO}$	45	—	—	Vdc

(1) Thermal resistance is determined under specified RF operating condition.

**ELECTRICAL CHARACTERISTICS — continued** ( $T_C = 25^\circ\text{C}$  unless otherwise noted)

Characteristic	Symbol	Min	Typ	Max	Unit
<b>ON CHARACTERISTICS</b>					
DC Current Gain ( $I_C = 0.1 \text{ Adc}$ , $V_{CE} = 5 \text{ Vdc}$ )	$h_{FE}$	20	—	120	—
<b>DYNAMIC CHARACTERISTICS</b>					
Output Capacitance ( $V_{CB} = 26 \text{ V}$ , $I_E = 0$ , $f = 1 \text{ MHz}$ )	$C_{ob}$	—	1.4	—	pF
<b>FUNCTIONAL TESTS</b> ( $V_{CC} = 20 \text{ V}$ , $I_{CQ} = 80 \text{ mA}$ )					
Common-Emitter Amplifier Power Gain ( $f = 1660 \text{ MHz}$ , $P_{out} = 0.5 \text{ W}$ ) ( $f = 1880 \text{ MHz}$ , $P_{out} = 0.5 \text{ W}$ )	$G_p$	10 9	11 10	— —	dB
Load Mismatch ( $f = 1660 \text{ MHz}$ , $f = 1880 \text{ MHz}$ , $P_{out} = 0.5 \text{ W}$ , Load VSWR = 20:1, all phase angles at frequency of test)	$\psi$	No Degradation in Output Power			
Intermodulation Distortion ( $P_{out} = 0.5 \text{ W PEP}$ , $f_1 = 1659.2 \text{ MHz}$ , $f_2 = 1660 \text{ MHz}$ ) ( $P_{out} = 0.5 \text{ W PEP}$ , $f_1 = 1879.2 \text{ MHz}$ , $f_2 = 1880 \text{ MHz}$ )	IMD	-30 -30	-35 -35	— —	dBc



C1	1.5 pF, ATC Chip Capacitor 100A	R2	470 $\Omega$ , Chip Resistor 0805
C2	3.9 pF, ATC Chip Capacitor 100A	R3	4.7 k $\Omega$ , Chip Resistor 0805
C3	56 pF, ATC Chip Capacitor 100A	R4	8.2 k $\Omega$ , Chip Resistor 0805
C4, C6, C7, C9	15 nF, Chip Capacitor 0805	R5	5 k $\Omega$ , SMD Potentiometer
C5	47 pF, ATC Chip Capacitor 100A	R6	680 $\Omega$ , Chip Resistor 0805
C8	4.7 $\mu\text{F}$ , 35 V, Capacitor	R7, R8	7.5 $\Omega$ , Chip Resistor 0805
C10	10 $\mu\text{F}$ , 16 V, Capacitor	TL1 to TL11	$\mu\text{Strip Lines}$ ; See Photomaster Document, MRF6401PHT/D
C11	100 pF, ATC Chip Capacitor 100A	TP1	$\mu\text{Strip Taper}$ ; See Photomaster Document, MRF6401PHT/D
Q1	Transistor, BCV62		

**Figure 1. 1600–2000 MHz Broadband Application Amplifier Schematic**

## TYPICAL CHARACTERISTICS

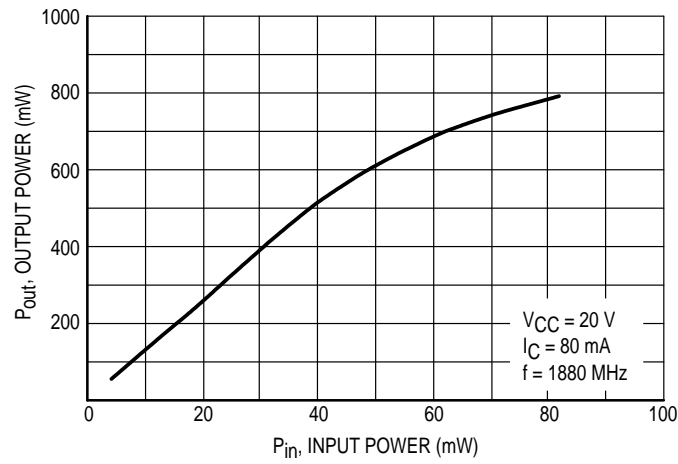


Figure 2. Output Power versus Input Power

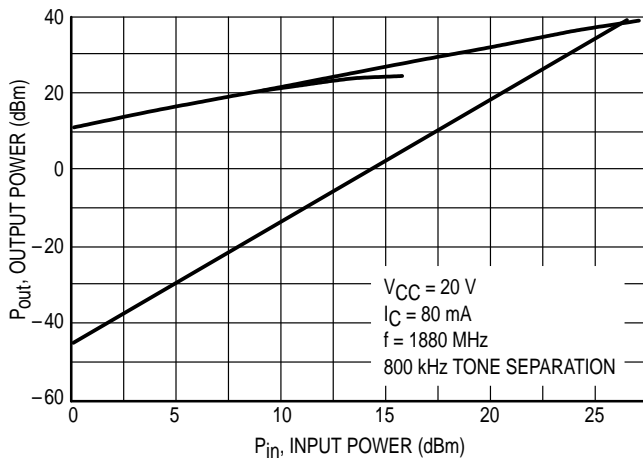


Figure 3. Third Order Intercept

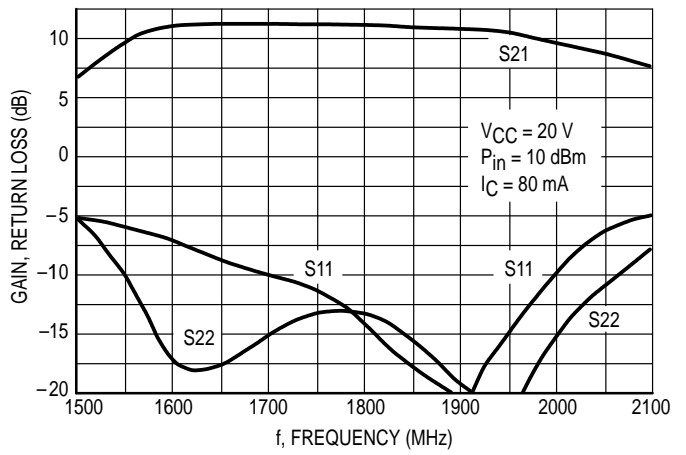


Figure 4. Performance in Broadband Test Fixture

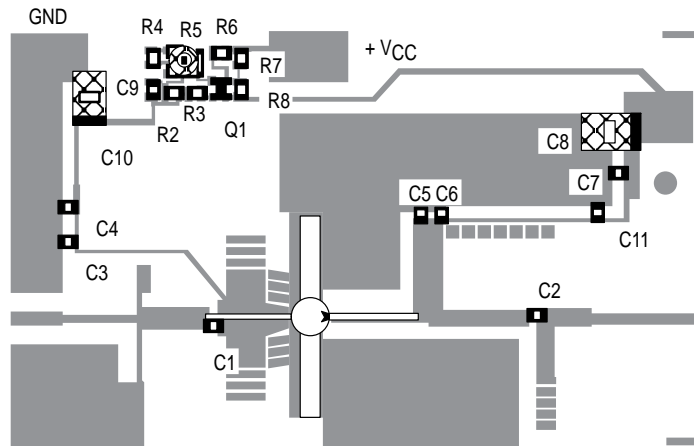
**Table 1. Common Emitter S-Parameters**

$V_{CC} = 20\text{ V}$ ,  $I_C = 80\text{ mA}$

POLAR S-PARAMETERS IN 50 Ω SYSTEM								
f MHz	S <sub>11</sub>		S <sub>21</sub>		S <sub>12</sub>		S <sub>22</sub>	
	S <sub>11</sub>	∠ φ	S <sub>21</sub>	∠ φ	S <sub>12</sub>	∠ φ	S <sub>22</sub>	∠ φ
100	0.626	-118	28.4	127	0.0186	45	0.649	-40
200	0.718	-149	17.1	106	0.0230	35	0.434	-49
400	0.754	-171	9.10	88	0.0271	35	0.303	-53
600	0.761	179	6.15	77	0.0312	38	0.272	-56
800	0.762	171	4.65	68	0.0359	42	0.266	-62
1000	0.763	165	3.73	60	0.0409	44	0.271	-68
1200	0.758	159	3.13	52	0.0469	44	0.286	-75
1400	0.753	155	2.60	44	0.0490	46	0.291	-87
1600	0.765	150	2.30	39	0.0574	50	0.288	-93
1800	0.769	144	2.06	32	0.0665	49	0.303	-97
1900	0.768	142	1.98	29	0.0714	48	0.312	-100
2000	0.767	139	1.88	25	0.0756	48	0.322	-103

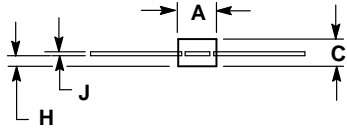
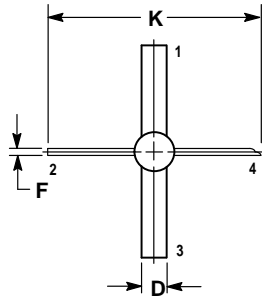
$V_{CC} = 20\text{ V}$ ,  $I_C = 50\text{ mA}$

POLAR S-PARAMETERS IN 50 Ω SYSTEM								
f MHz	S <sub>11</sub>		S <sub>21</sub>		S <sub>12</sub>		S <sub>22</sub>	
	S <sub>11</sub>	∠ φ	S <sub>21</sub>	∠ φ	S <sub>12</sub>	∠ φ	S <sub>22</sub>	∠ φ
100	0.618	-113	26.2	130	0.0195	45	0.678	-36
200	0.713	-145	16.2	108	0.0251	34	0.465	-47
400	0.758	-168	8.78	89.2	0.0288	32	0.331	-51
600	0.763	180	5.94	78	0.0323	35	0.297	-55
800	0.761	169	4.49	68	0.0363	39	0.290	-61
1000	0.764	166	3.61	60	0.0415	41	0.294	-68
1200	0.758	160	3.02	52	0.0467	42	0.310	-75
1400	0.757	155	2.52	44.5	0.0486	45	0.313	-87
1600	0.768	150	2.22	39	0.0566	48	0.311	-92
1800	0.772	145	2	32	0.0655	48	0.328	-97
1900	0.770	142	1.91	28	0.0705	47	0.335	-101
2000	0.772	140	1.81	25	0.0745	47	0.345	-104



**Figure 5. Test Circuit Components Layout**

## PACKAGE DIMENSIONS

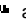


- NOTES:  
 1. DIMENSIONING AND TOLERANCING PER ANSI Y14.5M, 1982.  
 2. CONTROLLING DIMENSION: INCH.

DIM	INCHES		MILLIMETERS	
	MIN	MAX	MIN	MAX
A	0.200	0.210	5.08	5.33
C	—	0.125	—	3.17
D	0.120	0.130	3.05	3.30
F	0.025	0.035	0.64	0.88
H	0.035	0.045	0.88	1.14
J	0.004	0.006	0.11	0.15
K	0.970	1.030	24.64	26.16

- STYLE 1:  
 PIN 1. EMITTER  
 2. BASE  
 3. EMITTER  
 4. COLLECTOR

**CASE 305C-02  
 ISSUE A**

Motorola reserves the right to make changes without further notice to any products herein. Motorola makes no warranty, representation or guarantee regarding the suitability of its products for any particular purpose, nor does Motorola assume any liability arising out of the application or use of any product or circuit, and specifically disclaims any and all liability, including without limitation consequential or incidental damages. "Typical" parameters can and do vary in different applications. All operating parameters, including "Typicals" must be validated for each customer application by customer's technical experts. Motorola does not convey any license under its patent rights nor the rights of others. Motorola products are not designed, intended, or authorized for use as components in systems intended for surgical implant into the body, or other applications intended to support or sustain life, or for any other application in which the failure of the Motorola product could create a situation where personal injury or death may occur. Should Buyer purchase or use Motorola products for any such unintended or unauthorized application, Buyer shall indemnify and hold Motorola and its officers, employees, subsidiaries, affiliates, and distributors harmless against all claims, costs, damages, and expenses, and reasonable attorney fees arising out of, directly or indirectly, any claim of personal injury or death associated with such unintended or unauthorized use, even if such claim alleges that Motorola was negligent regarding the design or manufacture of the part. Motorola and  are registered trademarks of Motorola, Inc. Motorola, Inc. is an Equal Opportunity/Affirmative Action Employer.

**How to reach us:**

**USA / EUROPE:** Motorola Literature Distribution;  
P.O. Box 20912; Phoenix, Arizona 85036. 1-800-441-2447

**JAPAN:** Nippon Motorola Ltd.; Tatsumi-SPD-JLDC, Toshikatsu Otsuki,  
6F Seibu-Butsuryu-Center, 3-14-2 Tatsumi Koto-Ku, Tokyo 135, Japan. 03-3521-8315

**MFAX:** RMFAX0@email.sps.mot.com – TOUCHTONE (602) 244-6609  
**INTERNET:** <http://Design-NET.com>

**HONG KONG:** Motorola Semiconductors H.K. Ltd.; 8B Tai Ping Industrial Park,  
51 Ting Kok Road, Tai Po, N.T., Hong Kong. 852-26629298



MRF6401/D

