



# Low-Cost 64-bit RISController w/DSP Capability

IDT79RC4650™

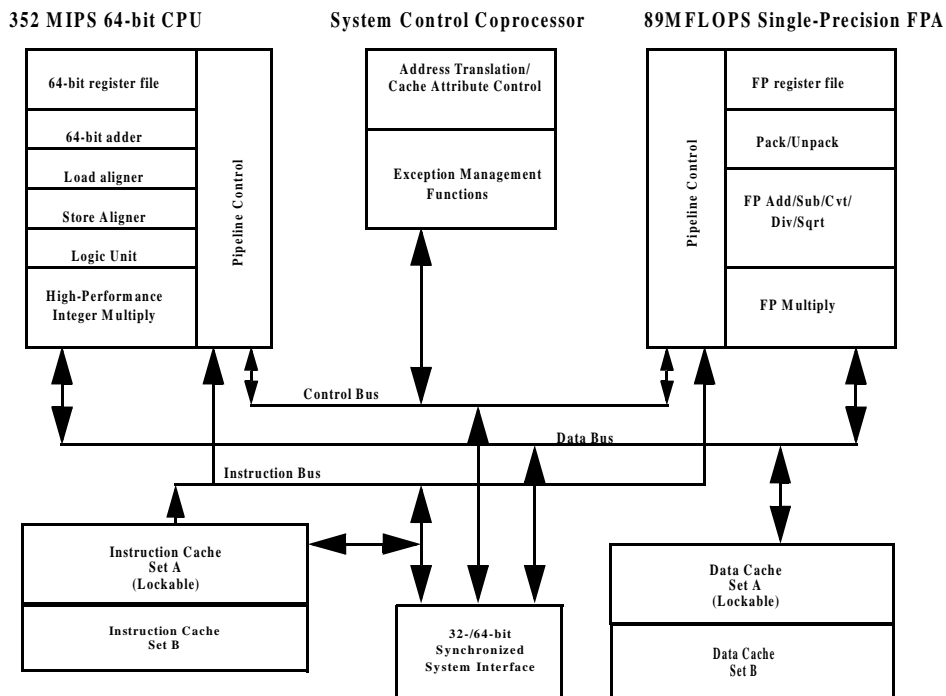
RISController

## Features

- ◆ **High-performance embedded 64-bit microprocessor**
  - 64-bit integer operations
  - 64-bit registers
  - 100MHz, 133MHz, 150 MHz, 180MHz, 200MHz and 267MHz operation frequencies
- ◆ **High-performance DSP capability**
  - 133.5 Million Integer Multiply-Accumulate Operations/sec @ 267 MHz
- ◆ **High-performance microprocessor**
  - 133.5 M Mul-Add/second at 267MHz
  - 89 MFLOP/s at 250MHz
  - >640,000 dhrystone (2.1)/sec capability at 267MHz (352 dhrystone MIPS)
- ◆ **High level of integration**
  - 64-bit, 267 MHz integer CPU
  - 8KB instruction cache; 8KB data cache
  - Integer multiply unit with 133.5M Mul-Add/sec
- ◆ **Low-power operation**
  - Active power management powers-down inactive units
  - Standby mode
- ◆ **Upwardly software compatible with IDT RISController Family**

- ◆ **Large, efficient on-chip caches**
  - Separate 8kB Instruction and 8kB Data caches
  - Over 3200MB/sec bandwidth from internal caches
  - 2-set associative
  - Write-back and write-through support
  - Cache locking to facilitate deterministic response
- ◆ **Bus compatible with RC4000 family**
  - System interface provides bandwidth up to 1000 MB/S
  - Direct interface to 32-bit wide or 64-bit wide systems
  - Synchronized to external reference clock for multi-master operation
  - Socket compatible with IDT RC64475 and RC64575
- ◆ **Improved real-time support**
  - Fast interrupt decode
  - Optional cache locking
- ◆ **Note: "R" refers to 5V parts; "RV" refers to 3.3V parts; "RC" refers to both**

## Block Diagram



The IDT logo is a registered trademark and ORION, RC4600, RC4650, RV4650, RC4700, RC3081, RC3052, RC3051, RC3041, RISController, and RISCore are trademarks of Integrated Device Technology, Inc.

## Description

The IDT79RC4650 is a low-cost member of the IDT Microprocessor family, targeted to a variety of performance-hungry embedded applications. The RC4650 continues the IDT tradition of high-performance through high-speed pipelines, high-bandwidth caches and bus interface, 64-bit architecture, and careful attention to efficient control. The RC4650 reduces the cost of this performance relative to the RC4700 by removing functional units that are frequently unneeded for many embedded applications, such as double-precision floating point arithmetic and a TLB.

The RC4650 adds features relative to the RC4700, reflective of its target applications. These features enable system cost reduction (e.g., optional 32-bit system interface) as well as higher performance for certain types of systems (e.g., cache locking, improved real-time support, integer DSP capability).

The RC4650 supports a wide variety of embedded processor-based applications, such as consumer game systems, multi-media functions, internetworking equipment, switching equipment, and printing systems. Upwardly software-compatible with the RC3000 family, and bus- and upwardly software-compatible with the IDT RC4000/RC5000 family, the RC4650 will serve in many of the same applications, but, in addition supports other applications such as those requiring integer DSP functions.

The RC64475 and RC64575 processors offer a direct migration path for designs based on IDT's RC4650 processors, through full pin and socket compatibility.

The RC4650 brings 64-bit performance levels to lower cost systems. High performance is preserved by retaining large on-chip caches that are two-way set associative, a streamlined high-speed pipeline, high-bandwidth, 64-bit execution, and facilities such as early restart for data cache misses. These techniques combine to allow the system designer 3.2GB/sec aggregate bandwidth, 1000 MB/sec bus bandwidth, 352 Dhrystone MIPS, 89 MFlops, and 133.5 M Multiply-add/second.

The RC4650 provides complete upward application-software compatibility with the IDT79RC32300™ and IDT79RC64xxx™ families of microprocessors. An array of development tools facilitates the rapid development of RC4650-based systems, enabling a wide variety of customers to take advantage of the high-performance capabilities of the processor while maintaining short time to market goals.

The 64-bit computing capability of the RC4650 enables a wide variety of capabilities previously limited by the lower bandwidth and bit-manipulation rates inherent in 32-bit architectures. For example, the RC4650 can perform loads and stores from cached memory at the rate of 8-bytes every clock cycle, doubling the bandwidth of an equivalent 32-bit processor. This capability, coupled with the high clock rate for the RC4650 pipeline, enables new levels of performance to be obtained from embedded systems.

This data sheet provides an overview of the features and architecture of the RC4650 CPU. A more detailed description of the processor is available in the *IDT79RC4650 Processor Hardware User's Manual*, available from IDT. Further information on development support, applications notes, and complementary products are also available from your local IDT sales representative.

## Hardware Overview

The RC4650 family brings a high-level of integration designed for high-performance computing. The key elements of the RC4650 are briefly described below. A more detailed description of each of these subsystems is available in the User's Manual.

### Pipeline

The RC4650 uses a 5-stage pipeline similar to the IDT79RC3000 and the IDT79RC4700. The simplicity of this pipeline allows the RC4650 to be lower cost and lower power than super-scalar or super-pipelined processors. Unlike superscalar processors, applications that have large data dependencies or that require a great deal of load/stores can still achieve performance close to the peak performance of the processor.

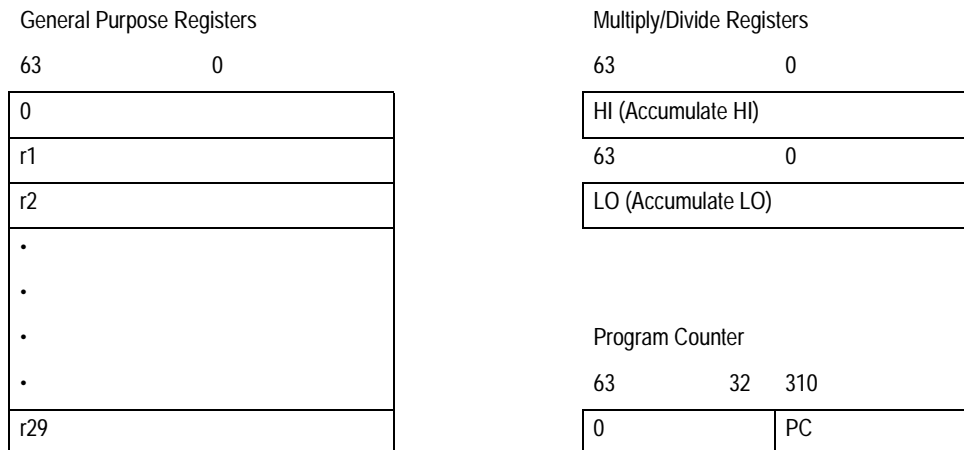


Figure 1 CPU Registers

## Integer Execution Engine

The RC4650 implements the MIPS-III Instruction Set Architecture and is upwardly compatible with applications that run on the earlier generation parts. The RC4650 includes the same additions to the instruction set found in the RC4700 family of microprocessors, targeted at improving performance and capability while maintaining binary compatibility with earlier RC3000 processors.

The extensions result in better code density, greater multi-processing support, improved performance for commonly used code sequences in operating system kernels, and faster execution of floating-point intensive applications. All resource dependencies are made transparent to the programmer, insuring transportability among implementations of the MIPS instruction set architecture. In addition, MIPS-III specifies new instructions defined to take advantage of the 64-bit architecture of the processor.

Finally, the RC4650 also implements additional instructions, which are considered extensions to the MIPS-III architecture. These instructions improve the multiply and multiply-add throughput of the CPU, making it well suited to a wide variety of imaging and DSP applications. These extensions, which use opcodes allocated by MIPS Technologies for this purpose, are supported by a wide variety of development tools.

The MIPS integer unit implements a load/store architecture with single cycle ALU operations (logical, shift, add, sub) and autonomous multiply/divide unit. The 64-bit register resources include: 32 general-purpose orthogonal integer registers, the HI/LO result registers for the integer multiply/divide unit, and the program counter. In addition, the on-chip floating-point co-processor adds 32 floating-point registers, and a floating-point control/status register.

### Register File

The RC4650 has thirty-two general-purpose 64-bit registers. These registers are used for scalar integer operations and address calculation. The register file consists of two read ports and one write port and is fully bypassed to minimize operation latency in the pipeline. Figure 1 illustrates the RC4650 Register File.

### ALU

The RC4650 ALU consists of the integer adder and logic unit. The adder performs address calculations in addition to arithmetic operations, and the logic unit performs all logical and shift operations. Each of these units is highly optimized and can perform an operation in a single pipeline cycle.

### Integer Multiply/Divide

The RC4650 uses a dedicated integer multiply/divide unit, optimized for high-speed multiply and multiply-accumulate operation. Table 1 shows the performance, expressed in terms of pipeline clocks, achieved by the RC4650 integer multiply unit.

Opcode	Operand Size	Latency	Repeat	Stall
MULT/U, MAD/U	16 bit	3	2	0
	32 bit	4	3	0
MUL	16 bit	3	2	1
	32 bit	4	3	2
DMULT, DMULTU	any	6	5	0
DIV, DIVU	any	36	36	0
DDIV, DDIVU	any	68	68	0

Table 1 RC4650 Integer Multiply Operation

The MIPS-III architecture defines that the results of a multiply or divide operation are placed in the HI and LO registers. The values can then be transferred to the general purpose register file using the MFHI/MFLO instructions.

The RC4650 adds a new multiply instruction, "MUL", which can specify that the multiply results bypass the "Lo" register and are placed immediately in the primary register file. By avoiding the explicit "Move-from-Lo" instruction required when using "Lo", throughput of multiply-intensive operations is increased.

An additional enhancement offered by the RC4650 is an atomic "multiply-add" operation, MAD, used to perform multiply-accumulate operations. This instruction multiplies two numbers and adds the product to the current contents of the HI and LO registers. This operation is used in numerous DSP algorithms, and allows the RC4650 to cost reduce systems requiring a mix of DSP and control functions.

Finally, aggressive implementation techniques feature low latency for these operations along with pipelining to allow new operations to be issued before a previous one has fully completed. Table 1 also shows the repeat rate (peak issue rate), latency, and number of processor stalls required for the various operations. The RC4650 performs automatic operand size detection to determine the size of the operand, and implements hardware interlocks to prevent overrun, allowing this high-performance to be achieved with simple programming.

### Floating-Point Co-Processor

The RC4650 incorporates an entire single-precision floating-point co-processor on chip, including a floating-point register file and execution units. The floating-point co-processor forms a "seamless" interface with the integer unit, decoding and executing instructions in parallel with the integer unit.

The RC4650's floating-point unit directly implements single-precision floating-point operations. This enables the RC4650 to perform functions such as graphics rendering, without requiring extensive die area or power consumption.

The RC4650 does not directly implement the double-precision operations found in the RC64475. However, to maintain software compatibility,

the RC4650 will signal a trap when a double-precision operation is initiated, allowing the requested function to be emulated in software. Alternatively, the system architect could use a software library emulation of double-precision functions, selected at compile time, to eliminate the overhead associated with trap and emulation.

**Floating-Point Units**

The RC4650 floating-point execution units perform single precision arithmetic, as specified in the IEEE Standard 754. The execution unit is broken into a separate multiply unit and a combined add/convert/divide/square root unit. Overlap of multiplies and add/subtract is supported. The multiplier is partially pipelined, allowing a new multiply to begin every 6 cycles.

As in the IDT79RC64475, the RC4650 maintains fully precise floating-point exceptions while allowing both overlapped and pipelined operations. Precise exceptions are extremely important in mission-critical environments, such as ADA, and highly desirable for debugging in any environment.

The floating-point unit's operation set includes floating-point add, subtract, multiply, divide, square root, conversion between fixed-point and floating-point format, conversion among floating-point formats, and floating-point compare. These operations comply with IEEE Standard 754. Double precision operations are not directly supported; attempts to execute double-precision floating point operations, or refer directly to double-precision registers, result in the RC4650 signalling a "trap" to the CPU, enabling emulation of the requested function. Table 2 gives the latencies of some of the floating-point instructions in internal processor cycles.

Operation	Instruction Latency
ADD	4
SUB	4
MUL	8
DIV	32
SQRT	31
CMP	3
FIX	4
FLOAT	6
ABS	1
MOV	1
NEG	1
LWC1	2
SWC1	1

Table 2 Floating-Point Operation

**Floating-Point General Register File**

The floating-point register file is made up of thirty-two 32-bit registers. These registers are used as source or target registers for the single-precision operations. References to these registers as 64-bit registers (as supported in the RC64475) will cause a trap to be signalled.

The floating-point control register space contains two registers; one for determining configuration and revision information for the coprocessor and one for control and status information. These are primarily involved with diagnostic software, exception handling, state saving and restoring, and control of rounding modes.

**System Control Co-Processor (CP0)**

The system control co-processor in the MIPS architecture is responsible for the virtual to physical address translation and cache protocols, the exception control system, and the diagnostics capability of the processor. In the MIPS architecture, the system control co-processor (and thus the kernel software) is implementation dependent.

In the RC4650, significant changes in CP0—relative to the RC4700—have been implemented. These changes are designed to simplify memory management, facilitate debug, and speed real-time processing.

**System Control Co-Processor Registers**

The RC4650 incorporates all system control co-processor (CP0) registers on-chip. These registers provide the path through which the virtual memory system's address translation is controlled, exceptions are handled, and operating modes are controlled (kernel vs. user mode, interrupts enabled or disabled, cache features). In addition, the RC4650 includes registers to implement a real-time cycle counting facility, which aids in cache diagnostic testing, assists in data error detection, and facilitates software debug. Alternatively, this timer can be used as the operating system reference timer, and can signal a periodic interrupt. Table 3 shows the CP0 registers of the RC4650.

Number	Name	Function
0	IBase	Instruction address space base
1	IBound	Instruction address space bound
2	DBase	Data address space base
3	DBound	Data address space bound
4-7, 10, 20-25, 29, 31	—	Not used
8	BadVAddr	Virtual address on address exceptions
9	Count	Counts every other cycle
11	Compare	Generate interrupt when Count = Compare
12	Status	Miscellaneous control/status
13	Cause	Exception/Interrupt information

Table 3 RC4650 CPO Registers (Page 1 of 2)

Number	Name	Function
14	EPC	Exception PC
15	PRId	Processor ID
16	Config	Cache and system attributes
17	CAIg	Cache attributes for the eight 512MB regions of the virtual address space
18	IWatch	Instruction breakpoint virtual address
19	DWatch	Data breakpoint virtual address
26	ECC	Used in cache diagnostics
27	CacheErr	Cache diagnostics
28	TagLo	Cache index
30	ErrorEPC	CacheError exception PC

Table 3 RC4650 CPO Registers (Page 2 of 2)

### Operation Modes

The RC4650 supports two modes of operation: user mode and kernel mode. Kernel mode operation is typically used for exception handling and operating system kernel functions, including CPO management and access to IO devices. In kernel mode, software has access to the entire address space and all of the co-processor 0 registers, and can select whether to enable co-processor 1 accesses. The processor enters kernel mode at reset, and whenever an exception is recognized.

User mode is typically used for applications programs. User mode accesses are limited to a subset of the virtual address space and can be inhibited from accessing CPO functions

### Virtual-to-Physical Address Mapping

The 4GB virtual address space of the RC4650 is shown in Figure 2. The 4 GB address space is divided into addresses accessible in either kernel or user mode (kuseg), and addresses only accessible in kernel mode (kseg2:0).

The RC4650 supports the use of multiple user tasks sharing common virtual addresses, but mapped to separate physical addresses. This facility is implemented via the “base-bounds” registers contained in CPO.

When a user virtual address is asserted (load, store, or instruction fetch), the RC4650 compares the virtual address with the contents of the appropriate “bounds” register (instruction or data). If the virtual address is “in bounds”, the value of the corresponding “base” register is added to the virtual address to form the physical address for that reference. If the address is not within bounds, an exception is signalled.

This facility enables multiple user processes in a single physical memory without the use of a TLB. This type of operation is further supported by a number of development tools for the RC4650, including real-time operating systems and “position independent code.”

Kernel mode addresses do not use the base-bounds registers, but rather undergo a fixed virtual-to-physical address translation.

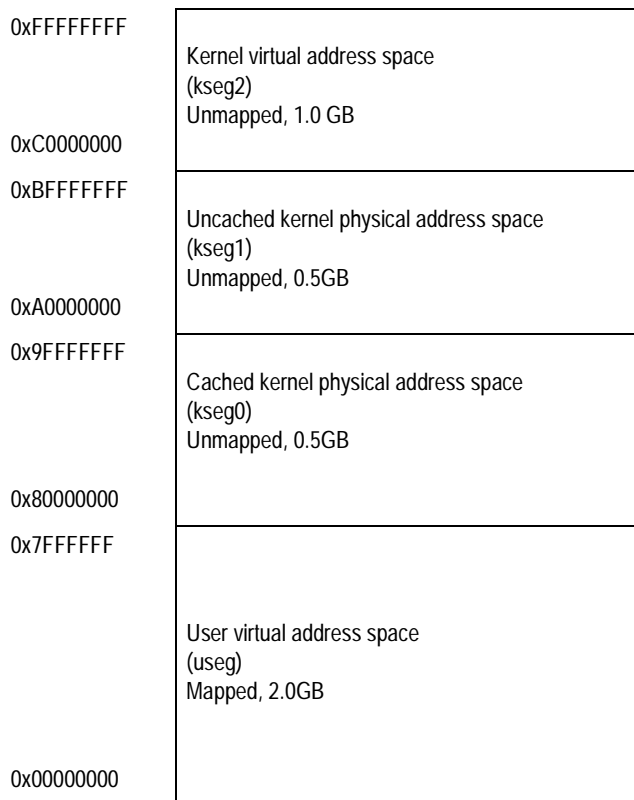


Figure 2 Kernel/User Mode Virtual Addressing (32-bit mode)

### Debug Support

To facilitate software debug, the RC4650 adds a pair of “watch” registers to CPO. When enabled, these registers will cause the CPU to take an exception when a “watched” address is appropriately accessed.

### Interrupt Vector

The RC4650 also adds the capability to speed interrupt exception decoding. Unlike the RC4700, which utilizes a single common exception vector for all exception types (including interrupts), the RC4650 allows kernel software to enable a separate interrupt exception vector. When enabled, this vector location speeds interrupt processing by allowing software to avoid decoding interrupts from general purpose exceptions.

### Cache Memory

To keep the RC4650's high-performance pipeline full and operating efficiently, the RC4650 incorporates on-chip instruction and data caches that can each be accessed in a single processor cycle. Each cache has its own 64-bit data path and can be accessed in parallel. The cache subsystem provides the integer and floating-point units with an aggregate bandwidth of over 3200 MB per second at a pipeline clock frequency of 267MHz. The cache subsystem is similar in construction to that found in the RC4700, although some changes have been implemented. Table 4 is an overview of the caches found on the RC4650.

## Instruction Cache

The RC4650 incorporates a two-way set associative on-chip instruction cache. This virtually indexed, physically tagged cache is 8KB in size and is parity protected.

Because the cache is virtually indexed, the virtual-to-physical address translation occurs in parallel with the cache access, thus further increasing performance by allowing these two operations to occur simultaneously. The tag holds a 20-bit physical address and valid bit, and is parity protected.

The instruction cache is 64-bits wide, and can be refilled or accessed in a single processor cycle. Instruction fetches require only 32 bits per cycle, for a peak instruction bandwidth of 1068MB/sec at 267MHz. Sequential accesses take advantage of the 64-bit fetch to reduce power dissipation, and cache miss refill, can write 64 bits-per-cycle to minimize the cache miss penalty. The line size is eight instructions (32 bytes) to maximize performance.

In addition, the contents of one set of the instruction cache (set "A") can be "locked" by setting a bit in a CP0 register. Locking the set prevents its contents from being overwritten by a subsequent cache miss; refill occurs then only into "set B".

This operation effectively "locks" time-critical code into one 4kB set, while allowing the other set to service other instruction streams in a normal fashion. Thus, the benefits of cached performance are achieved, while deterministic real-time response is preserved.

## Data Cache

For fast, single cycle data access, the RC4650 includes an 8KB on-chip data cache that is two-way set associative with a fixed 32-byte (eight words) line size. Table 4 lists the RC4650 cache attributes.

Characteristics	Instruction	Data
Size	8KB	8KB
Organization	2-way set associative	2-way set associative
Line size	32B	32B
Index	vAddr <sub>11..0</sub>	vAddr <sub>11..0</sub>
Tag	pAddr <sub>31..12</sub>	pAddr <sub>31..12</sub>
Write policy	n.a.	writeback /writethru
Line transfer order	read sub-block order	read sub-block order
	write sequential	write sequential
Miss restart after transfer of	entire line	first word
Parity	per-word	per-byte
Cache locking	set A	set A

Table 4 RC4650 Cache Attributes

The data cache is protected with byte parity and its tag is protected with a single parity bit. It is virtually indexed and physically tagged to allow simultaneous address translation and data cache access.

The normal write policy is writeback, which means that a store to a cache line does not immediately cause memory to be updated. This increases system performance by reducing bus traffic and eliminating the bottleneck of waiting for each store operation to finish before issuing a subsequent memory operation. Software can however select write-through for certain address ranges, using the CAI<sub>g</sub> register in CP0. Cache protocols supported for the data cache are:

**Uncached.** Addresses in a memory area indicated as uncached will not be read from the cache. Stores to such addresses will be written directly to main memory, without changing cache contents.

- ◆ **Writeback.** Loads and instruction fetches will first search the cache, reading main memory only if the desired data is not cache resident. On data store operations, the cache is first searched to see if the target address is cache resident. If it is resident, the cache contents will be updated, and the cache line marked for later writeback. If the cache lookup misses, the target line is first brought into the cache before the cache is updated.
- ◆ **Write-through with write allocate.** Loads and instruction fetches will first search the cache, reading main memory only if the desired data is not cache resident. On data store operations, the cache is first searched to see if the target address is cache resident. If it is resident, the cache contents will be updated and main memory will also be written; the state of the "writeback" bit of the cache line will be unchanged. If the cache lookup misses, the target line is first brought into the cache before the cache is updated.
- ◆ **Write-through without write-allocate.** Loads and instruction fetches will first search the cache, reading main memory only if the desired data is not cache resident. On data store operations, the cache is first searched to see if the target address is cache resident. If it is resident, the cache contents will be updated, and the cache line marked for later writeback. If the cache lookup misses, then only main memory is written.

Associated with the Data Cache is the store buffer. When the RC4650 executes a Store instruction, this single-entry buffer gets written with the store data while the tag comparison is performed. If the tag matches, then the data is written into the Data Cache in the next cycle that the Data Cache is not accessed (the next non-load cycle). The store buffer allows the RC4650 to execute a store every processor cycle and to perform back-to-back stores without penalty.

## Write Buffer

Writes to external memory, whether cache miss writebacks or stores to uncached or write-through addresses, use the on-chip write buffer. The write buffer holds up to four address and data pairs. The entire buffer is used for a data cache writeback and allows the processor to proceed in parallel with memory update.

## System Interface

The RC4650 supports a 64-bit system interface that is bus compatible with the RC4700 system interface. In addition, the RC4650 supports a 32-bit system interface mode, allowing the CPU to interface directly with a lower cost memory system.

The RC64475 supports a 64-bit system interface that is bus compatible with the RC4650 system interface.

The interface consists of a 64-bit Address/Data bus with 8 check bits and a 9-bit command bus protected with parity. In addition, there are 8 handshake signals and 6 interrupt inputs. The interface has a simple timing specification and is capable of transferring data between the processor and memory at a peak rate of 1000MB/sec.

Figure 3 shows a typical system using the RC4650. In this example two banks of DRAMs are used to supply and accept data with a DDxxDD data pattern.

The RC4650 clocking interface allows the CPU to be easily mated with external reference clocks. The CPU input clock is the bus reference clock, and can be between 50 and 125MHz (somewhat dependent on maximum pipeline speed for the CPU).

An on-chip phase-locked-loop generates the pipeline clock from the system interface clock by multiplying it up an amount selected at system reset. Supported multipliers are values 2 through 8 inclusive, allowing systems to implement pipeline clocks at significantly higher frequency than the system interface clock.

## System Address/Data Bus

The 64-bit System Address Data (SysAD) bus is used to transfer addresses and data between the RC4650 and the rest of the system. It is protected with an 8-bit parity check bus, SysADC. When initialized for 32-bit operation, SysAD can be viewed as a 32-bit multiplexed bus, with 4 parity check bits.

The system interface is configurable to allow easier interfacing to memory and I/O systems of varying frequencies. The bus frequency and reference timing of the RC4650 are taken from the input clock. The rate at which the CPU transmits data to the system interface is programmable via boot time mode control bits. The rate at which the processor receives data is fully controlled by the external device. Therefore, either a low cost interface requiring no read or write buffering or a faster, high performance interface can be designed to communicate with the RC4650. Again, the system designer has the flexibility to make these price/performance trade-offs.

## System Command Bus

The RC4650 interface has a 9-bit System Command (SysCmd) bus. The command bus indicates whether the SysAD bus carries an address or data. If the SysAD carries an address, then the SysCmd bus also indicates what type of transaction is to take place (for example, a read or write). If the SysAD carries data, then the SysCmd bus also gives information about the data (for example, this is the last data word transmitted, or the cache state of this data line is clean exclusive). The SysCmd bus is bidirectional to support both processor requests and external requests to the RC4650. Processor requests are initiated by the RC4650 and responded to by an external device. External requests are issued by an external device and require the RC4650 to respond.

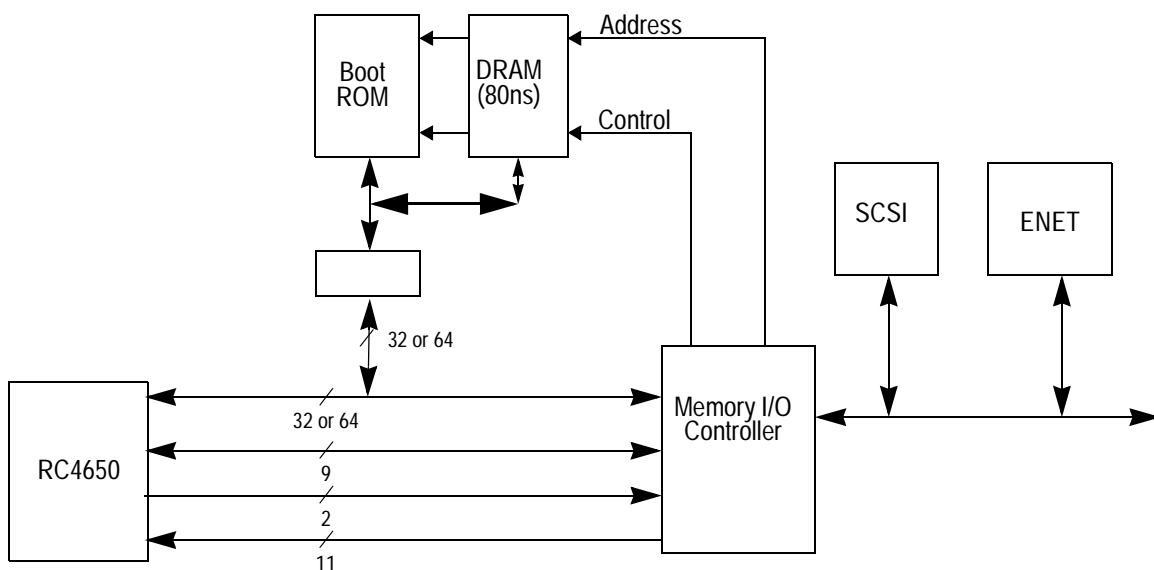


Figure 3 Typical RC4650 System Architecture

The RC4650 supports single datum (one to eight byte) and 8-word block transfers on the SysAD bus. In the case of a single-datum transfer, the low-order 3 address bits gives the byte address of the transfer, and the SysCmd bus indicates the number of bytes being transferred. The choice of 32- or 64-bit wide system interface dictates whether a cache line block transaction requires 4 double word data cycles or 8 single word cycles, and whether a single datum transfer larger than 4 bytes needs to be broken into two smaller transfers.

**Handshake Signals**

There are six handshake signals on the system interface. Two of these signals, RdRdy\* and WrRdy\*, are used by an external device to indicate to the RC4650 whether it can accept a new read or write transaction. The RC4650 samples these signals before deasserting the address on read and write requests.

ExtRqst\* and Release\* are used to transfer control of the SysAD and SysCmd buses between the processor and an external device. When an external device needs to control the interface, it asserts ExtRqst\*. The RC4650 responds by asserting Release\* to release the system interface to slave state.

ValidOut\* and ValidIn\* are used by the RC4650 and the external device respectively to indicate that there is a valid command or data on the SysAD and SysCmd buses. The RC4650 asserts ValidOut\* when it is driving these buses with a valid command or data, and the external device drives ValidIn\* when it has control of the buses and is driving a valid command or data.

**Non-Overlapping System Interface**

The RC4650 requires a non-overlapping system interface, compatible with the RC4700. This means that only one processor request may

be outstanding at a time and that the request must be serviced by an external device before the RC4650 issues another request. The RC4650 can issue read and write requests to an external device, and an external device can issue read and write requests to the RC4650.

The RC4650 asserts ValidOut\* and simultaneously drives the address and read command on the SysAD and SysCmd buses. If the system interface has RdRdy\* or Read transactions asserted, then the processor tristates its drivers and releases the system interface to slave state by asserting Release\*. The external device can then begin sending the data to the RC4650.

Figure 4 shows a processor block read request and the external agent read response. The read latency is 4 cycles (ValidOut\* to ValidIn\*), and the response data pattern is DDxxDD. Figure 5 shows a processor block write.

**Write Reissue and Pipeline Write**

The RC4700 and the RC4650 implement additional write protocols designed to improve performance. This implementation doubles the effective write bandwidth. The write re-issue has a high repeat rate of 2 cycles per write. A write issues if WrRdy is asserted 2 cycles earlier and is still asserted at the issue cycle. If it is not still asserted, the last write re-issues again. Pipelined writes have the same 2-cycle per write repeat rate, but can issue one more write after WrRdy de-asserts. They still follow the issue rule as R4x00 mode for other writes.

**External Requests**

The RC4650 responds to requests issued by an external device. The requests can take several forms. An external device may need to supply data in response to an RC4650 read request or it may need to gain control over the system interface bus to access other resources which may be on that bus.

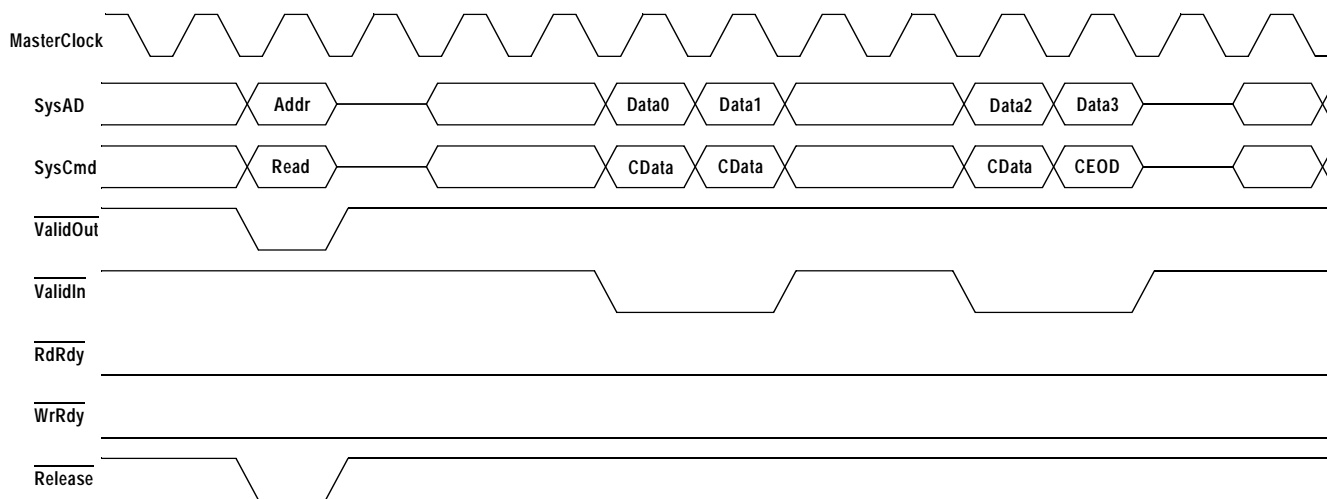


Figure 4 RC4650 Block Read Request (64-bit interface option)



The following is a list of the supported external requests:

- ◆ Read Response
- ◆ Null

### Boot-Time Options

Fundamental operational modes for the processor are initialized by the boot-time mode control interface. The boot-time mode control interface is a serial interface operating at a very low frequency (MasterClock divided by 256). The low-frequency operation allows the initialization information to be kept in a low-cost EPROM; alternatively the twenty-or-so bits could be generated by the system interface ASIC or a simple PAL.

To initialize all fundamental, operational modes, immediately after the V<sub>CCOK</sub> signal is asserted, the processor reads a serial bit stream of 256 bits. After initialization is complete, the processor continues to drive the serial clock output, but no further initialization bits are read.

### Boot-Time Modes

The boot-time serial mode stream is defined in Table 5. Bit 0 is the bit presented to the processor when V<sub>CCOK</sub> is asserted; bit 255 is the last.

### Power Management

CP0 is also used to control the power management for the RC4650. This is the standby mode and it can be used to reduce the power consumption of the internal core of the CPU. The standby mode is entered by executing the WAIT instruction with the SysAD bus idle and is exited by any interrupt.

### Standby Mode Operation

The RC4650 provides a means to reduce the amount of power consumed by the internal core when the CPU would otherwise not be performing any useful operations. This is known as "Standby Mode."

### Entering Standby Mode

Executing the WAIT instruction enables interrupts and enters Standby mode. When the WAIT instruction finishes the W pipe-stage, if the SysAd bus is currently idle, the internal clocks will shut down, thus freezing the pipeline. The PLL, internal timer, and some of the input pins (Int[5:0]\*, NMI\*, ExtReq\*, Reset\*, and ColdReset\*) will continue to run. If the conditions are not correct when the WAIT instruction finishes the W pipe-stage (i.e. the SysAd bus is not idle), the WAIT is treated as a NOP.

Once the CPU is in Standby Mode, any interrupt, including the internally generated timer interrupt, will cause the CPU to exit Standby Mode.

Mode bit	Description
255..15	Must be zero
14..13	Output driver strength: 10 → 100% strength (fastest) 11 → 83% strength 00 → 67% strength 01 → 50% strength (slowest)
11	Disable the timer interrupt on Int[5]
12	0 → 64-bit system interface 1 → 32-bit system interface
10..9	00 → RC4000 compatible 01 → reserved 10 → pipelined writes 11 → write re-issue
8	0 → Little endian 1 → Big endian
7..5	Clock multiplier: 0 → 2 1 → 3 2 → 4 3 → 5 4 → 6 5 → 7 6 → 8 7 reserved
4..1	Writeback data rate: 64-bit                      32-bit 0 → Δ                      0 → Ω 1 → DDx                    1 → WWx 2 → DDxx                  2 → WWxx 3 → Dx Dx                 3 → Wx Wx 4 → DDxxx                 4 → WWxxx 5 → DDxxxx                5 → WWxxxx 6 → DxxDxx                6 → WxxWxx 7 → DDxxxxxx              7 → WWxxxxxx 8 → DxxxDxxx              8 → WxxxWxxx 9-15 reserved              9-15 reserved
0	Reserved (must be zero)

Table 5 Boot-time mode stream

## Thermal Considerations

The RC4650 utilizes special packaging techniques to improve the thermal properties of high-speed processors. The RC4650 is packaged using cavity down packaging in a 208-pin QFP (DP). The QFP package allows for an efficient thermal transfer between the die and the case.

The R4650 and the RV4650 are guaranteed in a case temperature range of 0°C to +85°C for commercial temperature parts and in a case temperature range of -40°C to +85°C for industrial temperature parts. The type of package, speed (power) of the device, and airflow conditions affect the equivalent ambient temperature conditions that will meet this specification. The equivalent allowable ambient temperature, T<sub>A</sub>, can be

calculated using the thermal resistance from case to ambient ( $\Theta_{CA}$ ) of the given package. The following equation relates ambient and case temperatures:

$$T_A = T_C - P * \Theta_{CA}$$

where P is the maximum power consumption at hot temperature, calculated by using the maximum I<sub>CC</sub> specification for the device. Typical values for  $\Theta_{CA}$  at various airflows are shown in Table 6.

Airflow (ft/min)	$\Theta_{CA}$					
	0	200	400	600	800	1000
208 QFP (DP)	21	13	10	9	8	7

Table 6 Thermal Resistance ( $\Theta_{CA}$ ) at Various Airflows

Note that the RC4650 implements advanced power management to substantially reduce the average power dissipation of the device. This operation is described in the *IDT79RC4640 and IDT79RC4650 RISC Processor Hardware User's Manual*.

## Data Sheet Revision History

### Changes to version dated September 1995:

- AC Electrical Characteristics:
  - In System Interface Parameters tables (RC4650 and RV4650), Data Setup and Data Hold minimums changed.

### Changes to version dated March 1997:

- Features:
  - Added 150 MHz operation frequency.
  - Upgraded spec to "final."

### Changes to version dated March 1998:

- Added 200 MHz operation frequency.

### Changes to version dated April 1998

- Features:
  - Changed dhrystone/sec reference
- Power Consumption (RV4650):
  - Upgraded System Condition I<sub>CC</sub> active parameters
- Clock Parameters:
  - Changed MasterClock period to 200MHz

### Changes to version dated February 1999

- Packaging:
  - MQUAD packaging changed to PQUAD (DP)

### Changes to version dated June 1999

- Added 267 MHz speed to the RV4650, removed 100MHz from the RV4650

### Changes to version dated July 1999

- Corrected several incorrect references to figures and tables.

### Changes to version dated March 2000

- Replaced existing figure in Mode Configuration Interface Reset Sequence section with 3 reset figures.
- Revised values in System Interface Parameters table.

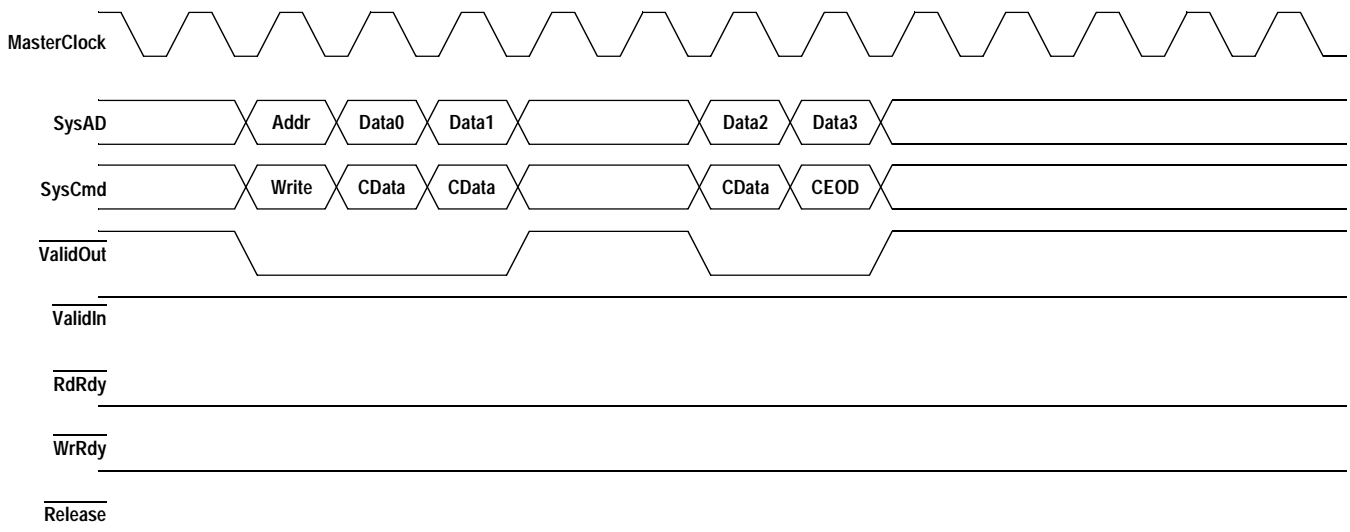


Figure 5 RC4650 Block Write Request (64-bit system interface)

## Pin Descriptions

The following is a list of interface, interrupt, and miscellaneous pins available on the RC4650. Pins marked with one asterisk are active when low.

Pin Name	Type	Description
<b>System interface:</b>		
ExtRqst*	Input	<b>External request</b> Signals that the system interface needs to submit an external request.
Release*	Output	<b>Release interface</b> Signals that the processor is releasing the system interface to slave state
RdRdy*	Input	<b>Read Ready</b> Signals that an external agent can now accept a processor read.
WrRdy*	Input	<b>Write Ready</b> Signals that an external agent can now accept a processor write request.
ValidIn*	Input	<b>Valid Input</b> Signals that an external agent is now driving a valid address or data on the SysAD bus and a valid command or data identifier on the SysCmd bus.
ValidOut*	Output	<b>Valid output</b> Signals that the processor is now driving a valid address or data on the SysAD bus and a valid command or data identifier on the SysCmd bus.
SysAD(63:0)	Input/Output	<b>System address/data bus</b> A 64-bit address and data bus for communication between the processor and an external agent.
SysADC(7:0)	Input/Output	<b>System address/data check bus</b> An 8-bit bus containing parity check bits for the SysAD bus during data bus cycles.
SysCmd(8:0)	Input/Output	<b>System command/data identifier bus</b> A 9-bit bus for command and data identifier transmission between the processor and an external agent.
SysCmdP	Input/Output	Reserved system command/data identifier bus parity For the RC4650 this signal is unused on input and zero on output.
<b>Clock/control interface:</b>		
MasterClock	Input	<b>Master clock</b> Master clock input used as the system interface reference clock. All output timings are relative to this input clock. Pipeline operation frequency is derived by multiplying this clock up by the factor selected during boot initialization.
VccP	Input	<b>Quiet VCC for PLL</b> Quiet Vcc for the internal phase locked loop.
VssP	Input	<b>Quiet VSS for PLL</b> Quiet Vss for the internal phase locked loop.
<b>Interrupt interface:</b>		
Int*(5:0)	Input	<b>Interrupt</b> Six general processor interrupts, bit-wise ORed with bits 5:0 of the interrupt register.
NMI*	Input	<b>Non-maskable interrupt</b> Non-maskable interrupt, ORed with bit 6 of the interrupt register.

Pin Name	Type	Description
Initialization interface:		
Vccok	Input	<b>VCC is OK</b> When asserted, this signal indicates to the RC4650 that the power supply has been above Vcc minimum for more than 100 milliseconds and will remain stable. The assertion of Vccok initiates the reading of the boot-time mode control serial stream.
ColdReset*	Input	<b>Cold reset</b> This signal must be asserted for a power on reset or a cold reset. ColdReset must be de-asserted synchronously with MasterClock.
Reset*	Input	<b>Reset</b> This signal must be asserted for any reset sequence. It may be asserted synchronously or asynchronously for a cold reset, or synchronously to initiate a warm reset. Reset must be de-asserted synchronously with MasterClock.
ModeClock	Output	<b>Boot mode clock</b> Serial boot-mode data clock output at the system clock frequency divided by two hundred and fifty six.
ModeIn	Input	<b>Boot mode data in</b> Serial boot-mode data input.

## Absolute Maximum Ratings

**Note:** Stresses greater than those listed under ABSOLUTE MAXIMUM RATINGS may cause permanent damage to the device. This is a stress rating only and functional operation of the device at these or any other conditions above those indicated in the operational sections of this specification is not implied. Exposure to absolute maximum rating conditions for extended periods may affect reliability.

Symbol	Rating	R4650 5.0V±5%	RV4650 3.3V±5%	RV4650 3.3V±5%	Unit
		Commercial	Commercial	Industrial	
V <sub>TERM</sub>	Terminal Voltage with respect to GND	-0.5 <sup>1</sup> to +7.0	-0.5 <sup>1</sup> to +4.6	-0.5 <sup>1</sup> to +4.6	V
T <sub>C</sub>	Operating Temperature(case)	0 to +85	0 to +85	-40 to +85	°C
T <sub>BIAS</sub>	Case Temperature Under Bias	-55 to +125	-55 to +125	-55 to +125	°C
T <sub>STG</sub>	Storage Temperature	-55 to +125	-55 to +125	-55 to +125	°C
I <sub>IN</sub>	DC Input Current	20 <sup>2</sup>	20 <sup>2</sup>	20 <sup>2</sup>	mA
I <sub>OUT</sub>	DC Output Current	50 <sup>3</sup>	50 <sup>3</sup>	50 <sup>3</sup>	mA

<sup>1</sup> VIN minimum = -2.0V for pulse width less than 15ns. VIN should not exceed VCC +0.5 Volts.

<sup>2</sup> When VIN < 0V or VIN > VCC

<sup>3</sup> Not more than one output should be shorted at a time. Duration of the short should not exceed 30 seconds.

## Recommended Operation Temperature and Supply Voltage

Grade	Temperature	R4650	RV4650
		V <sub>CC</sub>	V <sub>CC</sub>
Commercial	0°C to +85°C (Case)	5.0V±5%	3.3V±5%
Industrial	-40°C + 85°C (Case)	N/A	3.3V±5%

**DC Electrical Characteristics — Commercial Temperature range—R4650** $(V_{CC} = 5.0 \pm 5\%, T_{CASE} = 0^{\circ}\text{C to } +85^{\circ}\text{C})$ 

Parameter	R4650 100MHz		R4650 133MHz		Conditions
	Minimum	Maximum	Minimum	Maximum	
$V_{OL}$	—	0.1V	—	0.1V	$ I_{OUT}  = 20\mu\text{A}$
$V_{OH}$	$V_{CC} - 0.1\text{V}$	—	$V_{CC} - 0.1\text{V}$	—	
$V_{OL}$	—	0.4V	—	0.4V	$ I_{OUT}  = 4\text{mA}$
$V_{OH}$	2.4V	—	2.4V	—	
$V_{IL}$	-0.5V	$0.2V_{CC}$	-0.5V	$0.2V_{CC}$	—
$V_{IH}$	2.0V	$V_{CC} + 0.5\text{V}$	2.0V	$V_{CC} + 0.5\text{V}$	—
$I_{IN}$	—	$\pm 10\mu\text{A}$	—	$\pm 10\mu\text{A}$	$0 \leq V_{IN} \leq V_{CC}$
$C_{IN}$	—	10pF	—	10pF	—
$C_{OUT}$	—	10pF	—	10pF	—
$I/O_{LEAK}$	—	20 $\mu\text{A}$	—	20 $\mu\text{A}$	Input/Output Leakage

**Power Consumption—R4650**

Parameter	R4650 100MHz		R4650 133MHz		Conditions	
	Typical <sup>1</sup>	Max	Typical <sup>1</sup>	Max		
System Condition:	100/50MHz		133/67MHz		—	
$I_{CC}$	standby	—	75 mA <sup>2</sup>	—	100 mA <sup>2</sup>	$C_L = 0\text{pF}^3$
		—	150 mA <sup>2</sup>	—	200 mA <sup>2</sup>	$C_L = 50\text{pF}$
	active, 64-bit bus option	700 mA <sup>2</sup>	900 mA <sup>2</sup>	900 mA <sup>2</sup>	950 mA <sup>2</sup>	$C_L = 0\text{pF}$ No SysAd activity <sup>3</sup>
		800 mA <sup>2</sup>	1000 mA <sup>2</sup>	1000 mA <sup>2</sup>	1100 mA <sup>2</sup>	$C_L = 50\text{pF}$ R4x00 compatible writes, $T_C = 25^{\circ}\text{C}$
		800 mA <sup>2</sup>	1200 mA <sup>4</sup>	1000 mA <sup>2</sup>	1350 mA <sup>4</sup>	$C_L = 50\text{pF}$ Pipelined writes or write re- issue, $T_C = 25^{\circ}\text{C}$

<sup>1</sup>. Typical integer instruction mix and cache miss rates,  $V_{CC} 3.3\text{V}$ ,  $T_A = 25^{\circ}\text{C}$ .<sup>2</sup>. These are not tested. They are the results of engineering analysis and are provided for reference only.<sup>3</sup>. Guaranteed by design.<sup>4</sup>. These are the specifications IDT tests to insure compliance.

**AC electrical Characteristics — Commercial Temperature Range—R4650** $(V_{CC}=5.0V \pm 5\%; T_{CASE} = -0^{\circ}C \text{ to } +85^{\circ}C)$ **Clock Parameters—R4650**

Parameter	Symbol	Test Conditions	R4650 100MHz		R4650 133MHz		Units
			Min	Max	Min	Max	
Pipeline clock frequency	PClk	—	50	100	50	133	MHz
MasterClock HIGH	$t_{MCHIGH}$	Transition $\leq t_{MCRise/Fall}$	4	—	3	—	ns
MasterClock LOW	$t_{MCLow}$	Transition $\leq t_{MCRise/Fall}$	4	—	3	—	ns
MasterClock Frequency <sup>1</sup>	—	—	25	50	25	67	MHz
MasterClock Period	$t_{MCP}$	—	20	40	15	40	ns
Clock Jitter for MasterClock	$t_{JitterIn}^2$	—	—	$\pm 250$	—	$\pm 250$	ps
MasterClock Rise Time	$t_{MCRise}^2$	—	—	5	—	4	ns
MasterClock Fall Time	$t_{MCFall}^2$	—	—	5	—	4	ns
ModeClock Period	$t_{ModeCKP}^2$	—	—	256* $t_{MCP}$	—	256* $t_{MCP}$	ns

<sup>1</sup> Operation of the RC4650 is only guaranteed with the Phase Lock Loop enabled.<sup>2</sup> Guaranteed by design.**System Interface Parameters—R4650** $(V_{CC}=5.0V \pm 5\%; T_{CASE} = 0^{\circ}C \text{ to } +85^{\circ}C)$ 

Note: Timings are measured from 1.5V of the clock to 1.5V of the signal.

Parameter	Symbol	Test Conditions	R4650 100MHz		R4650 133MHz		Units
			Min	Max	Min	Max	
Data Output <sup>1</sup>	$t_{DO} = \text{Max}$	mode <sub>14..13</sub> = 10 (fastest)	1.0 <sup>2</sup>	9	1.0 <sup>2</sup>	9	ns
		mode <sub>14..13</sub> = 11 (85%)					
		mode <sub>14..13</sub> = 00 (66%)					
		mode <sub>14..13</sub> = 01 (slowest)	2.0 <sup>2</sup>	12	2.0	12	ns
Data Output Hold	$t_{DOH}^3$	mode <sub>14..13</sub> = 10	1.0	—	1.0	—	ns
		mode <sub>14..13</sub> = 11					
		mode <sub>14..13</sub> = 00					
		mode <sub>14..13</sub> = 01					
Data Setup	$t_{DS}$	$t_{rise} = 5\text{ns}$	5.5	—	4.5	—	ns
Data Hold	$t_{DH}$	$t_{fall} = 5\text{ns}$	2	—	1.5	—	ns

<sup>1</sup> Capacitive load for all output timings is 50pF.<sup>2</sup> Guaranteed by design.<sup>3</sup> 50pf loading on external output signals, fastest settings

**Boot-time Interface Parameters—R4650** $(V_{CC}=5.0V \pm 5\%; T_{CASE} = 0^{\circ}C \text{ to } +85^{\circ}C)$ 

Parameter	Symbol	Test Conditions	R4650 100MHz		R4650 133MHz		Units
			Min	Max	Min	Max	
Mode Data Setup	$t_{DS}$	—	3	—	3	—	Master Clock Cycle
Mode Data Hold	$t_{DH}$	—	0	—	0	—	Master Clock Cycle

**Capacitive Load Deration—R4650**

Parameter	Symbol	Test Conditions	100MHz		133MHz		Units
			Min	Max	Min	Max	
Load Derate	$C_{LD}$	—	—	2	—	2	ns/25pF

**DC Electrical Characteristics — Commercial / Industrial Temperature Range—RV4650** $(V_{CC} = 3.3 \pm 5\%, \text{ Commercial } T_{CASE} = 0^{\circ}C \text{ to } +85^{\circ}C, \text{ Industrial } T_{CASE} = -40^{\circ}C \text{ to } +85^{\circ}C)$ 

Parameter	RV4650 133MHz		RV4650 150MHz		Conditions
	Minimum	Maximum	Minimum	Maximum	
$V_{OL}$	—	0.1V	—	0.1V	$ I_{OUT}  = 20\mu A$
$V_{OH}$	$V_{CC} - 0.1V$	—	$V_{CC} - 0.1V$	—	
$V_{OL}$	—	0.4V	—	0.4V	$ I_{OUT}  = 4mA$
$V_{OH}$	2.4V	—	2.4V	—	
$V_{IL}$	-0.5V	$0.2V_{CC}$	-0.5V	$0.2V_{CC}$	—
$V_{IH}$	$0.7V_{CC}$	$V_{CC} + 0.5V$	$0.7V_{CC}$	$V_{CC} + 0.5V$	—
$I_{IN}$	—	$\pm 10\mu A$	—	$\pm 10\mu A$	$0 \leq V_{IN} \leq V_{CC}$
$C_{IN}$	—	10pF	—	10pF	—
$C_{OUT}$	—	10pF	—	10pF	—
$I/O_{LEAK}$	—	20 $\mu A$	—	20 $\mu A$	Input/Output Leakage

Parameter	RV4650 180MHz		RV4650 200MHz		RV4650 267MHz <sup>1</sup>		Conditions
	Minimum	Maximum	Minimum	Maximum	Minimum	Maximum	
$V_{OL}$	—	0.1V	—	0.1V	—	0.1V	$ I_{OUT}  = 20\mu A$
$V_{OH}$	$V_{CC} - 0.1V$	—	$V_{CC} - 0.1V$	—	$V_{CC} - 0.1V$	—	
$V_{OL}$	—	0.4V	—	0.4V	—	0.4V	$ I_{OUT}  = 4mA$
$V_{OH}$	2.4V	—	2.4V	—	2.4V	—	
$V_{IL}$	-0.5V	$0.2V_{CC}$	-0.5V	$0.2V_{CC}$	-0.5V	$0.2V_{CC}$	—

Parameter	RV4650 180MHz		RV4650 200MHz		RV4650 267MHz <sup>1</sup>		Conditions
	Minimum	Maximum	Minimum	Maximum	Minimum	Maximum	
V <sub>IH</sub>	0.7V <sub>CC</sub>	V <sub>CC</sub> + 0.5V	0.7V <sub>CC</sub>	V <sub>CC</sub> + 0.5V	0.7V <sub>CC</sub>	V <sub>CC</sub> + 0.5V	—
I <sub>IN</sub>	—	±10uA	—	±10uA	—	±10uA	0 ≤ V <sub>IN</sub> ≤ V <sub>CC</sub>
C <sub>IN</sub>	—	10pF	—	10pF	—	10pF	—
C <sub>OUT</sub>	—	10pF	—	10pF	—	10pF	—
I/O <sub>LEAK</sub>	—	20uA	—	20uA	—	20uA	Input/Output Leakage

<sup>1</sup> Industrial temperature range is not available at 267MHz

## Power Consumption—RV4650

Parameter	RV4650 133MHz		RV4650 150 MHz		Conditions	
	Typical <sup>1</sup>	Max	Typical <sup>1</sup>	Max		
System Condition	133/67MHz		150/75MHz		—	
I <sub>CC</sub>	standby	—	60 mA <sup>2</sup>	—	60mA <sup>2</sup>	C <sub>L</sub> = 0pF <sup>3</sup>
		—	110 mA <sup>2</sup>	—	110mA <sup>2</sup>	C <sub>L</sub> = 50pF
	active, 64-bit bus option	625 mA <sup>2</sup>	700 mA <sup>2</sup>	700 mA <sup>2</sup>	800mA <sup>2</sup>	C <sub>L</sub> = 0pF, No SysAd activity <sup>3</sup>
		700 mA <sup>2</sup>	800 mA <sup>2</sup>	850mA <sup>2</sup>	900mA <sup>2</sup>	C <sub>L</sub> = 50pF R4x00  compatible writes T <sub>C</sub> = 25°C
	700 mA <sup>2</sup>	900 mA <sup>4</sup>	850mA <sup>2</sup>	1000mA <sup>4</sup>	C <sub>L</sub> = 50pF Pipelined writes or Write re-issue, T <sub>C</sub> = 25°C	

<sup>1</sup> Typical integer instruction mix and cache miss rates, V<sub>CC</sub> 3.3V, TA=25°.

<sup>2</sup> These are not tested. They are the result of engineering analysis and are provided for reference only.

<sup>3</sup> Guaranteed by design.

<sup>4</sup> These are the specifications IDT tests to insure compliance.

Parameter	RV4650 180 MHz		RV4650 200 MHz		RV4650 267 MHz		Conditions	
	Typical <sup>1</sup>	Max	Typical <sup>1</sup>	Max	Typical <sup>1</sup>	Max		
System Condition	180/90MHz		200/100MHz		267/89MHz		—	
I <sub>CC</sub>	standby	—	60mA <sup>2</sup>	—	60mA <sup>2</sup>	—	60mA <sup>2</sup>	C <sub>L</sub> = 0pF <sup>3</sup>
		—	110mA <sup>2</sup>	—	110mA <sup>2</sup>	—	110mA <sup>2</sup>	C <sub>L</sub> = 50pF
	active, 64-bit bus option	855 mA <sup>2</sup>	900mA <sup>2</sup>	925mA <sup>2</sup>	1000mA <sup>2</sup>	925mA <sup>2</sup>	1100mA <sup>2</sup>	C <sub>L</sub> = 0pF, No SysAd activity <sup>3</sup>
		930mA <sup>2</sup>	1000mA <sup>2</sup>	1000mA <sup>2</sup>	1100mA <sup>2</sup>	1000mA <sup>2</sup>	1300mA <sup>b</sup>	C <sub>L</sub> = 50pF R4xxx compatible writes T <sub>C</sub> = 25°C
	930mA <sup>2</sup>	1200mA <sup>4</sup>	1000mA <sup>2</sup>	1300mA <sup>4</sup>	1000mA <sup>2</sup>	1500mA <sup>a</sup>	C <sub>L</sub> = 50pF Pipelined writes or Write re-issue, T <sub>C</sub> = 25°C	

<sup>1</sup> Typical integer instruction mix and cache miss rates, V<sub>CC</sub> 3.3V, TA=25°.

<sup>2</sup> These are not tested. They are the result of engineering analysis and are provided for reference only.

<sup>3</sup> Guaranteed by design.

<sup>4</sup> These are the specifications IDT tests to insure compliance.



## AC Electrical Characteristics — Commercial/Industrial Temperature Range—RV4650

( $V_{CC}=3.3V \pm 5\%$ ; Commercial  $T_{CASE} = 0^{\circ}C$  to  $+85^{\circ}C$ , Industrial  $T_{CASE} = -40^{\circ}C$  to  $+85^{\circ}C$ )

### Clock Parameters—RV4650

Note: Operation of the RC4650 is only guaranteed with the Phase Lock Loop enabled.

Parameter	Symbol	Test Conditions	RV4650 133MHz		Units
			Min	Max	
Pipeline clock Frequency	PClk		50	133	MHz
MasterClock HIGH	$t_{MCHIGH}$	Transition $\leq t_{MCRise/Fall}$	3	—	ns
MasterClock LOW	$t_{MLOW}$	Transition $\leq t_{MCRise/Fall}$	3	—	ns
MasterClock Frequency <sup>1</sup>	—	—	25	67	MHz
MasterClock Period	$t_{MCP}$	—	15	40	ns
Clock Jitter for MasterClock	$t_{JitterIn}^2$	—	—	$\pm 250$	ps
MasterClock Rise Time	$t_{MCRise}^2$	—	—	4	ns
MasterClock Fall Time	$t_{MCFall}^2$	—	—	4	ns
ModeClock Period	$t_{ModeCKP}^2$	—	—	256* $t_{MCP}$	ns

<sup>1</sup>. Operation of the RC4650 is only guaranteed with the Phase Lock Loop enabled.

<sup>2</sup>. Stresses greater than those listed under ABSOLUTE MAXIMUM RATINGS may cause permanent damage to the device. This is a stress rating only and functional operation of the device at these or any other conditions above those indicated in the operational sections of this specification is not implied. Exposure to absolute maximum rating conditions for extended periods may affect reliability

Parameter	RV4650 150MHz		RV4650 180MHz		RV4650 200MHz		RV4650 267MHz		Units
	Min	Max	Min	Max	Min	Max	Min	Max	
Pipeline clock Frequency	50	150	50	180	50	200	100	267	MHz
MasterClock HIGH	3	—	3	—	3	—	3	—	ns
MasterClock LOW	3	—	3	—	3	—	3	—	ns
MasterClock Frequency <sup>(5)</sup>	25	75	25	90	25	100	50	125	MHz
MasterClock Period	13.3	40	11.1	40	10	40	8	20	ns
Clock Jitter for MasterClock	—	$\pm 250$	—	$\pm 250$	—	$\pm 250$	—	$\pm 250$	ps
MasterClock Rise Time	—	3	—	2.5	—	2	—	2	ns
MasterClock Fall Time	—	3	—	2.5	—	2	—	2	ns
ModeClock Period	—	256* $t_{MCP}$	—	256* $t_{MCP}$	—	256* $t_{MCP}$	—	256* $t_{MCP}$	ns

## System Interface Parameters—RV4650

( $V_{CC}=3.3V \pm 5\%$ ; Commercial  $T_{CASE} = 0^{\circ}C$  to  $+85^{\circ}C$ , Industrial  $T_{CASE} = -40^{\circ}C$  to  $+85^{\circ}C$ )

Note: Timings are measured from 1.5V of the clock to 1.5V of the signal.

Parameter	Symbol	Test Conditions	RV4650 133/67MHz		RV4650 150/75MHz		Units
			Min	Max	Min	Max	
Data Output <sup>1</sup>	$t_{DM} = \text{Min}$ $t_{DO} = \text{Max}$	mode <sub>14..13</sub> = 10 (fastest)	1.0	9	1.0	9	ns
		mode <sub>14..13</sub> = 01 (slowest)	2.0	12	2.0	12	ns
Data Output Hold	$t_{DOH}^2$	mode <sub>14..13</sub> = 10 (fastest)	1.0	—	1.0	—	ns
Input Data Setup	$t_{DS}$	$t_{rise} = 5\text{ns}$	4.5	—	4.5	—	ns
Input Data Hold	$t_{DH}$	$t_{fall} = 5\text{ns}$	1.5	—	1.5	—	ns

<sup>1</sup> Capacitive load for all output timings is 50pF.

<sup>2</sup> 50pf loading on external output signals, fastest settings

Parameter	Symbol	Test Conditions	RV4650 180/ 90MHz		RV4650 200/ 100MHz		RV4650 267/89MHz		Units
			Min	Max	Min	Max	Min	Max	
Data Output	$t_{DM} = \text{Min}$ $t_{DO} = \text{Max}$	mode <sub>14..13</sub> = 10 (fastest)	1.0	9	1.0	4.5	1.0	4.5	ns
		mode <sub>14..13</sub> = 01 (slowest)	2.0	10	2.0	5.0	—	5.0	ns
Data Output Hold	$t_{DOH}^*$	mode <sub>14..13</sub> = 10 (fastest)	1.0	—	1.0	—	1.0	—	ns
Data Input	$t_{DS}$	$t_{rise} = 3\text{ns}$	4.5	—	4.5	—	2.5	—	ns
	$t_{DH}$	$t_{fall} = 3\text{ns}$	1.5	—	1.5	—	1.0	—	ns

50pf loading on external output signals, fastest settings

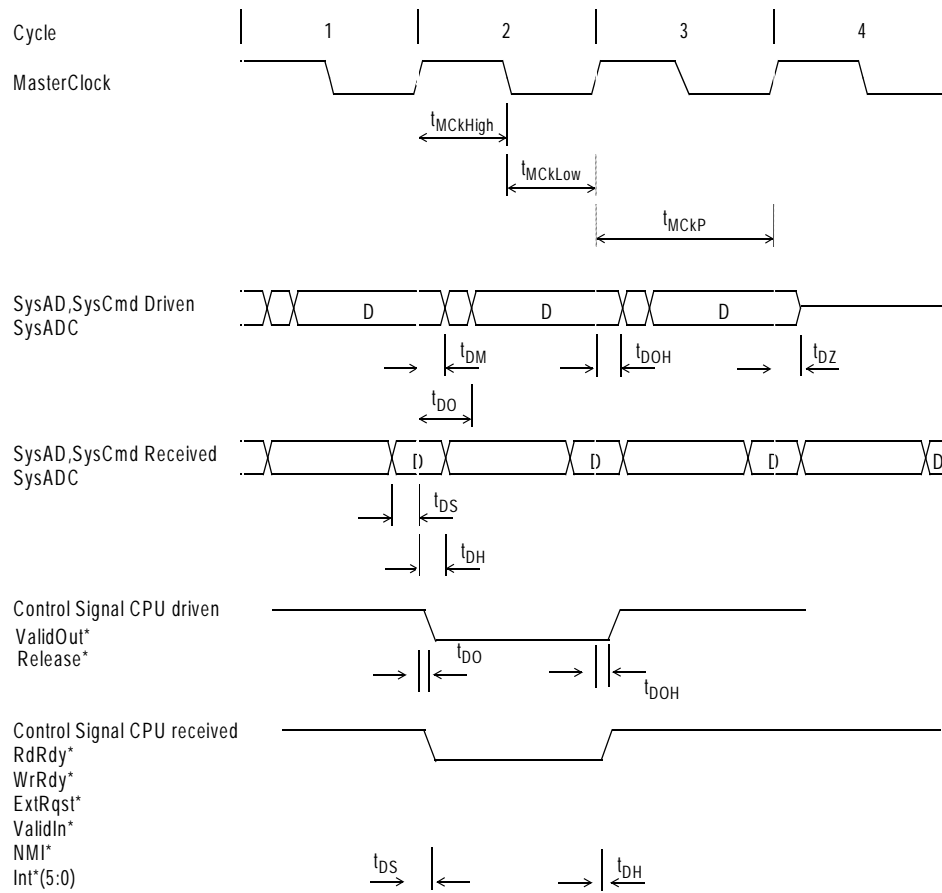
## Boot Time Interface Parameters—RV4650

Parameter	Symbol	Test Conditions	133MHz		150MHz		180MHz		200MHz		267MHz		Units	Conditions
			Min	Max	Min	Max	Min	Max	Min	Max				
Mode Data Setup	$t_{DS}$	—	3	—	3	—	3	—	3	—	3	—	ns	Master Clock Cycle
Mode Data Hold	$t_{DH}$	—	0	—	0	—	0	—	0	—	0	—	ns	Master Clock Cycle

## Capacitive Load Deration—RV4650

Parameter	Symbol	Test Conditions	133MHz		150MHz		180MHz		200MHz		267MHz		Units
			Min	Max	Min	Max	Min	Max	Min	Max	Min	Max	
Load Derate	$C_{LD}$	—	—	2	—	2	—	2	—	2	—	1	ns/25pF

# Timing Characteristics—RV4650



\* = active low signal

Figure 6 System Clocks Data Setup, Output, and Hold timing

**Mode Configuration Interface Reset Sequence**

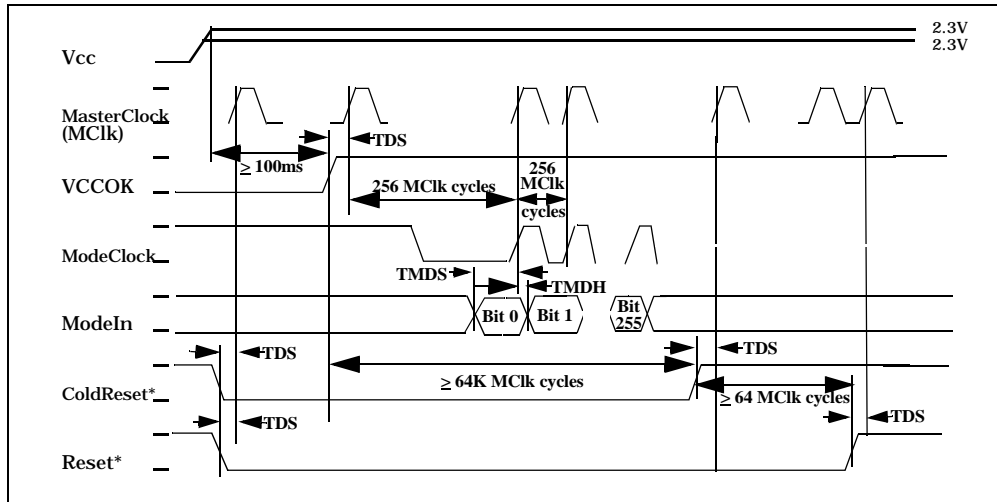


Figure 7 Power-on Reset

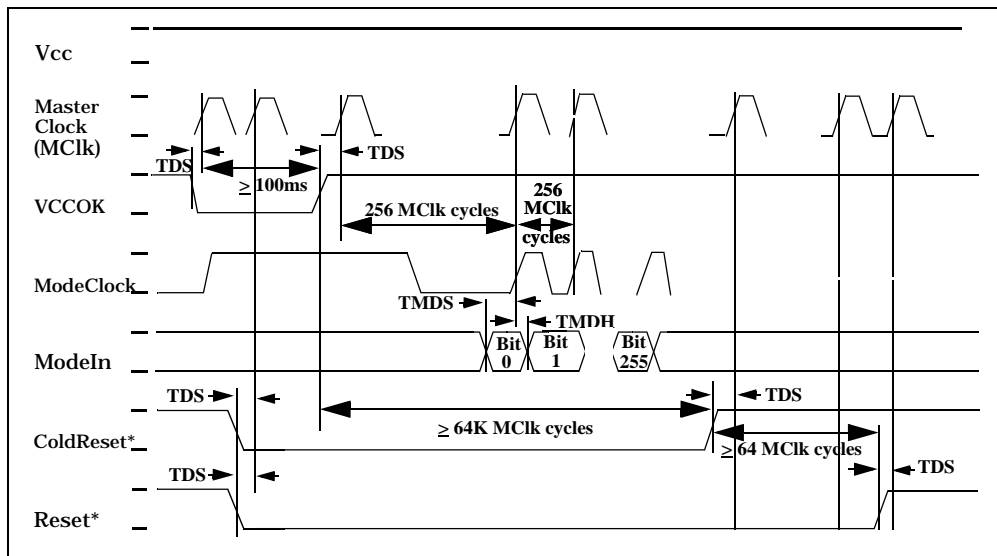


Figure 8 Cold Reset

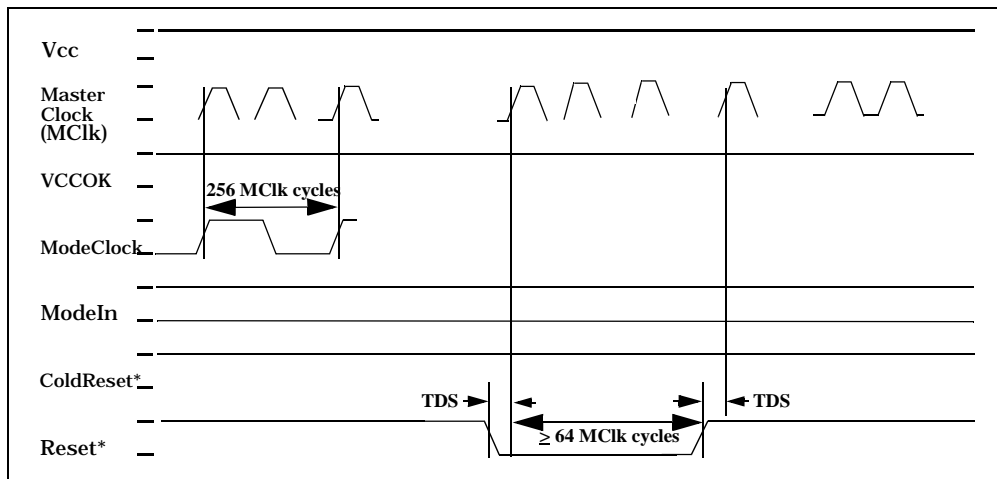
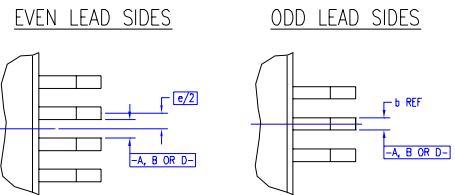
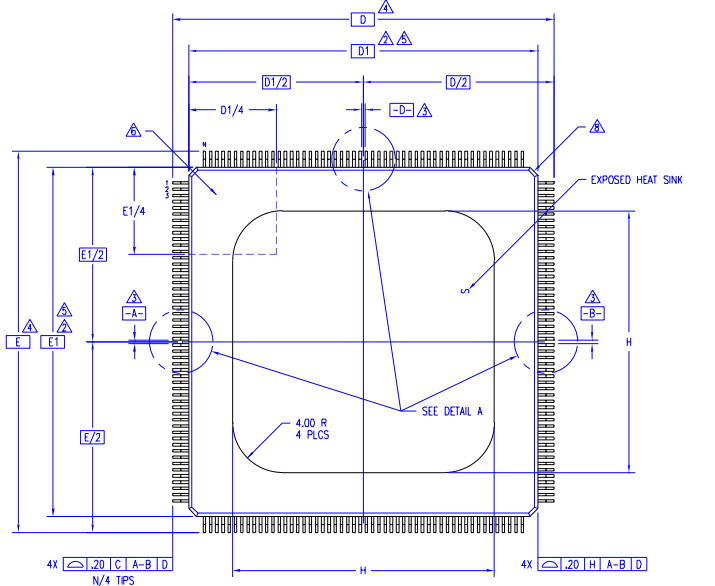


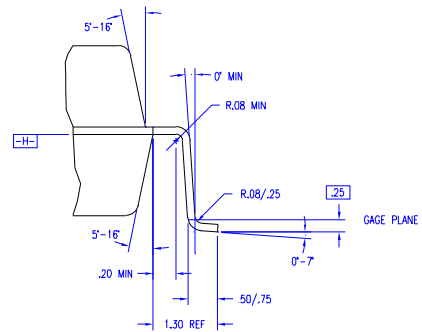
Figure 9 Warm Reset

# Physical Specifications — 208-Pin QFP

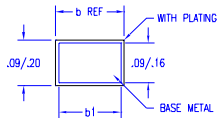
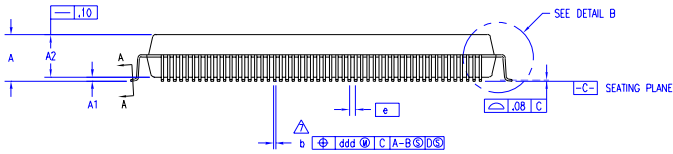
REVISIONS				
DCN	REV	DESCRIPTION	DATE	APPROVED
61478	00	INITIAL RELEASE	09/20/98	




DETAIL A



DETAIL B



SECTION A-A

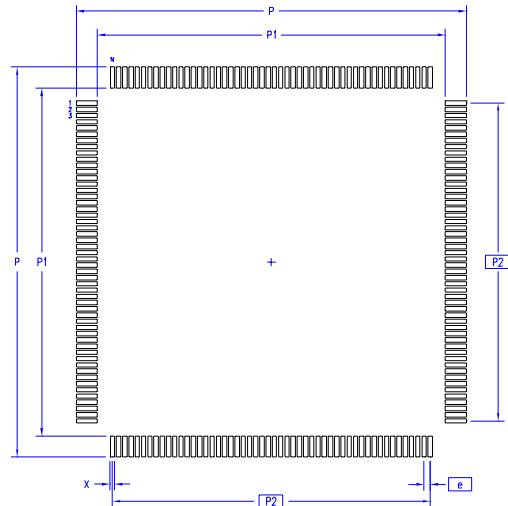
TOLERANCES UNLESS SPECIFIED		DECIMAL		ANGULAR	 Integrated Device Technology, Inc. 2975 Slender Way, Santa Clara, CA 95054 PHONE: (408) 727-6116 FAX: (408) 492-8674 Tlx: 910-338-2070
XXX	±				
XXXX					
XXXXX					
APPROVALS	DATE	TITLE			
DRAWN <i>zfp</i>	09/20/98	DP PACKAGE OUTLINE			
CHECKED		28.0 X 28.0 X 3.4 mm PQFP			
		1.30/.25 MIN FORM			
		SIZE	DRAWING No.	REV	
		C	PSC-4069	00	
DO NOT SCALE DRAWING					SHEET 1 OF 2

Physical Specifications - Page 2

REVISIONS				
DCN	REV	DESCRIPTION	DATE	APPROVED
61478	00	INITIAL RELEASE	09/20/98	

SYMBOL	JEDEC VARIATION			TOLERANCE
	FA-1			
	MIN	NOM	MAX	
A	-	-	4.10	
A1	.25	-	-	
A2	3.20	3.40	3.60	
D	30.60 BSC			4
D1	28.00 BSC			5,2
E	30.60 BSC			4
E1	28.00 BSC			5,2
H	21.00 REF			
N	208			
e	.50 BSC			
b	.17	-	.27	7
b1	.17	.20	.23	
ddd	-	-	.08	


LAND PATTERN DIMENSIONS



	MIN	MAX
P	31.20	31.40
P1	27.80	28.00
P2	25.50 BSC	
X	.30	.40
e	.50 BSC	
N	208	

NOTES:

- 1 ALL DIMENSIONING AND TOLERANCING CONFORM TO ASME Y14.5M-1994
- △ TOP PACKAGE MAY BE SMALLER THAN BOTTOM PACKAGE BY .15 mm
- △ DATUMS [A-B] AND [-D-] TO BE DETERMINED AT DATUM PLANE [-H-]
- △ DIMENSIONS D AND E ARE TO BE DETERMINED AT SEATING PLANE [-C-]
- △ DIMENSIONS D1 AND E1 DO NOT INCLUDE MOLD PROTRUSION. ALLOWABLE MOLD PROTRUSION IS .25 mm PER SIDE. D1 AND E1 ARE BODY SIZE DIMENSIONS INCLUDING MOLD MISMATCH
- △ DETAIL OF PIN 1 IDENTIFIER IS OPTIONAL BUT MUST BE LOCATED WITHIN THE ZONE INDICATED
- △ DIMENSION b DOES NOT INCLUDE DAMBAR PROTRUSION. ALLOWABLE DAMBAR PROTRUSION IS .08 mm IN EXCESS OF THE b DIMENSION AT MAXIMUM MATERIAL CONDITION. DAMBAR CANNOT BE LOCATED ON THE LOWER RADIUS OR THE FOOT.
- △ EXACT SHAPE OF EACH CORNER IS OPTIONAL
- △ THESE DIMENSIONS APPLY TO THE FLAT SECTION OF THE LEAD BETWEEN .10 AND .25 mm FROM THE LEAD TIP
- 10 ALL DIMENSIONS ARE IN MILLIMETERS
- 11 THIS OUTLINE CONFORMS TO JEDEC PUBLICATION 95 REGISTRATION MO-143, VARIATION FA-1

TOLERANCES UNLESS SPECIFIED		 Integrated Device Technology, Inc. 2975 Slender Way, Santa Clara, CA 95054 PHONE: (408) 727-6116 FAX: (408) 492-8674 Tlx: 910-338-2070
DECIMAL	ANGULAR	
xxx ±	±	
xxxx		
xxxxx		
APPROVALS	DATE	TITLE
DRAWN <i>JY</i>	09/20/98	DP PACKAGE OUTLINE
CHECKED		28.0 X 28.0 X 3.4 mm PQFP
		1.30/.25 MIN FORM
	SIZE	DRAWING No.
	C	PSC-4069
		REV
		00
DO NOT SCALE DRAWING		SHEET 2 OF 2

## RC4650 QFP Package Pin-Out

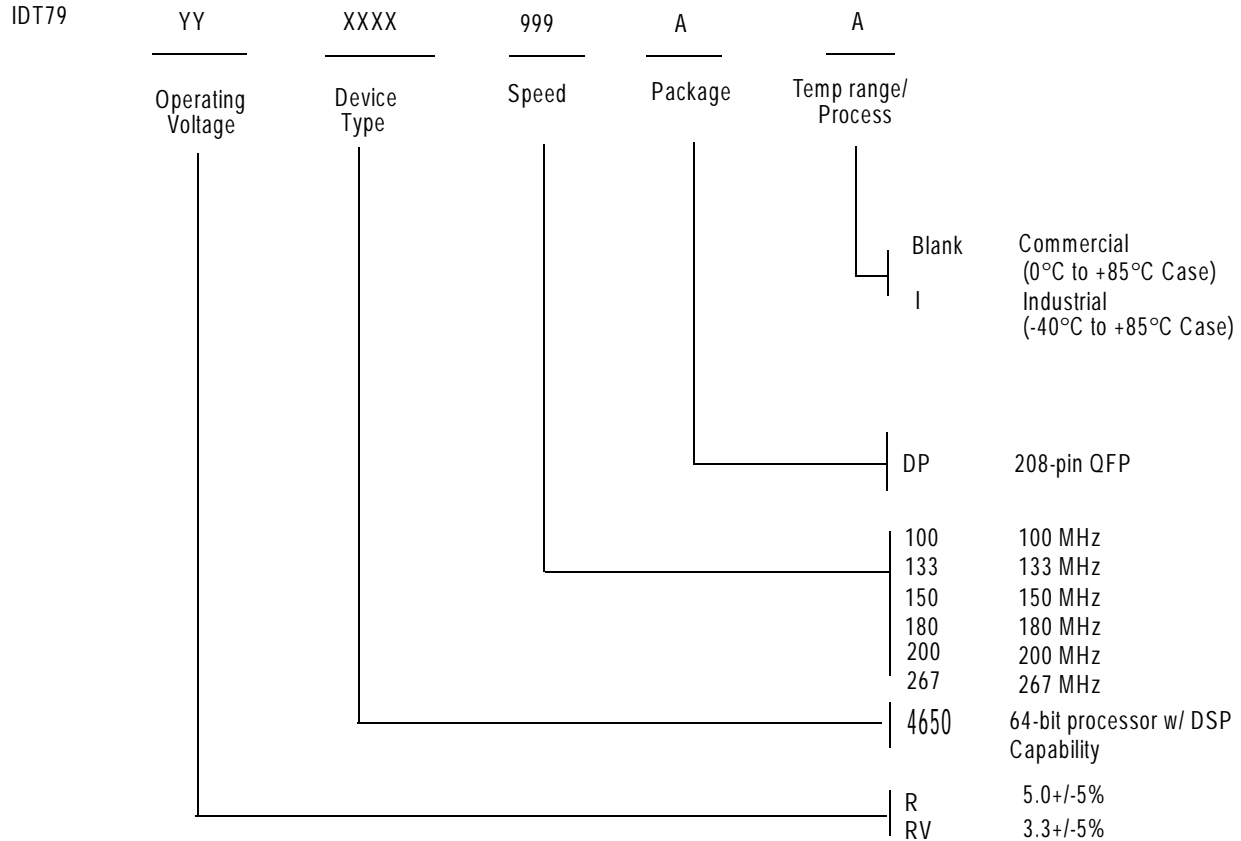
Note: N.C. pins should be left floating for maximum flexibility and compatibility with future designs.

Pin	Function	Pin	Function	Pin	Function	Pin	Function
1	N.C.	53	N.C.	105	N.C.	157	N.C.
2	N.C.	54	N.C.	106	N.C.	158	N.C.
3	N.C.	55	N.C.	107	N.C.	159	SysAD59
4	N.C.	56	N.C.	108	N.C.	160	ColdReset <sup>1</sup>
5	N.C.	57	SysCmd2	109	N.C.	161	SysAD28
6	N.C.	58	SysAD36	110	N.C.	162	Vcc
7	N.C.	59	SysAD4	111	N.C.	163	Vss
8	N.C.	60	SysCmd1	112	N.C.	164	SysAD60
9	N.C.	61	Vss	113	N.C.	165	Reset <sup>1</sup>
10	SysAD11	62	Vcc	114	SysAD52	166	SysAD29
11	Vss	63	SysAD35	115	ExtRqst <sup>1</sup>	167	SysAD61
12	Vcc	64	SysAD3	116	Vcc	168	SysAD30
13	SysCmd8	65	SysCmd0	117	Vss	169	Vcc
14	SysAD42	66	SysAD34	118	SysAD21	170	Vss
15	SysAD10	67	Vss	119	SysAD53	171	SysAD62
16	SysCmd7	68	Vcc	120	RdRdy <sup>1</sup>	172	SysAD31
17	Vss	69	SysAD2	121	Modein	173	SysAD63
18	Vcc	70	Int5 <sup>1</sup>	122	SysAD22	174	Vcc
19	SysAD41	71	SysAD33	123	SysAD54	175	Vss
20	SysAD9	72	SysAD1	124	Vcc	176	VccOK
21	SysCmd6	73	Vss	125	Vss	177	SysADC3
22	SysAD40	74	Vcc	126	Release <sup>1</sup>	178	SysADC7
23	Vss	75	Int4 <sup>1</sup>	127	SysAD23	179	N.C.
24	Vcc	76	SysAD32	128	SysAD55	180	N.C.
25	SysAD8	77	SysAD0	129	NMI <sup>1</sup>	181	N.C.
26	SysCmd5	78	Int3 <sup>1</sup>	130	Vcc	182	N.C.
27	SysADC4	79	Vss	131	Vss	183	N.C.
28	SysADC0	80	Vcc	132	SysADC2	184	N.C.
29	Vss	81	Int2 <sup>1</sup>	133	SysADC6	185	VccP
30	Vcc	82	SysAD16	134	SysAD24	186	VssP
31	SysCmd4	83	SysAD48	135	Vcc	187	MasterClock
32	SysAD39	84	Int1 <sup>1</sup>	136	Vss	188	Vcc
33	SysAD7	85	Vss	137	SysAD56	189	Vss
34	SysCmd3	86	Vcc	138	SysAD25	190	SysADC5
35	Vss	87	SysAD17	139	SysAD57	191	SysADC1

Pin	Function	Pin	Function	Pin	Function	Pin	Function
36	Vcc	88	SysAD49	140	Vcc	192	Vcc
37	SysAD38	89	Int0 <sup>1</sup>	141	Vss	193	Vss
38	SysAD6	90	SysAD18	142	N.C.	194	SysAD47
39	ModeClock	91	Vss	143	SysAD26	195	SysAD15
40	WrRdy <sup>1</sup>	92	Vcc	144	SysAD58	196	SysAD46
41	SysAD37	93	SysAD50	145	N.C.	197	Vcc
42	SysAD5	94	ValidIn <sup>1</sup>	146	Vcc	198	Vss
43	Vss	95	SysAD19	147	Vss	199	SysAD14
44	Vcc	96	SysAD51	148	SysAD27	200	SysAD45
45	N.C.	97	Vss	149	N.C.	201	SysAD13
46	N.C.	98	Vcc	150	N.C.	202	SysAD44
47	N.C.	99	ValidOut <sup>1</sup>	151	N.C.	203	V <sub>ss</sub>
48	N.C.	100	SysAD20	152	N.C.	204	V <sub>cc</sub>
49	N.C.	101	N.C.	153	N.C.	205	SysAD12
50	N.C.	102	N.C.	154	N.C.	206	SysCmdP
51	N.C.	103	N.C.	155	N.C.	207	SysAD43
52	N.C.	104	N.C.	156	N.C.	208	N.C.

<sup>1</sup> N.C. pins should be left floating for maximum flexibility and compatibility with future designs.





**Valid Combinations**

- IDT79R4650 - 100, 133MHz DP QFP package, Commercial Temperature
- IDT79RV4650 - 133, 150, 180, 200, 267MHz DP QFP package, Commercial Temperature
- IDT79RV4650 - 133, 150, 180, 200MHz DPI QFP package, Industrial Temperature



**CORPORATE HEADQUARTERS**  
 2975 Stender Way  
 Santa Clara, CA 95054

**for SALES:**  
 800-345-7015 or 408-727-6116  
 fax: 408-492-8674  
 www.idt.com

**for Tech Support:**  
 email: rischelp@idt.com  
 phone: 408-492-8208

The IDT logo is a registered trademark of Integrated Device Technology, Inc.