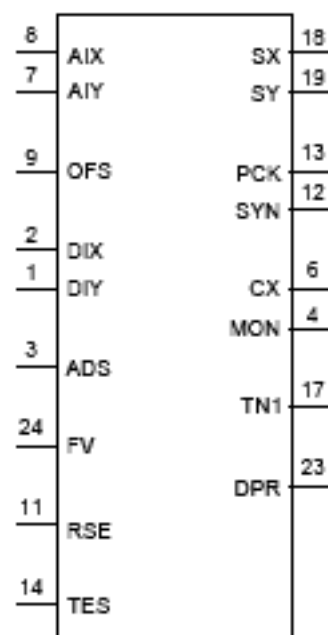
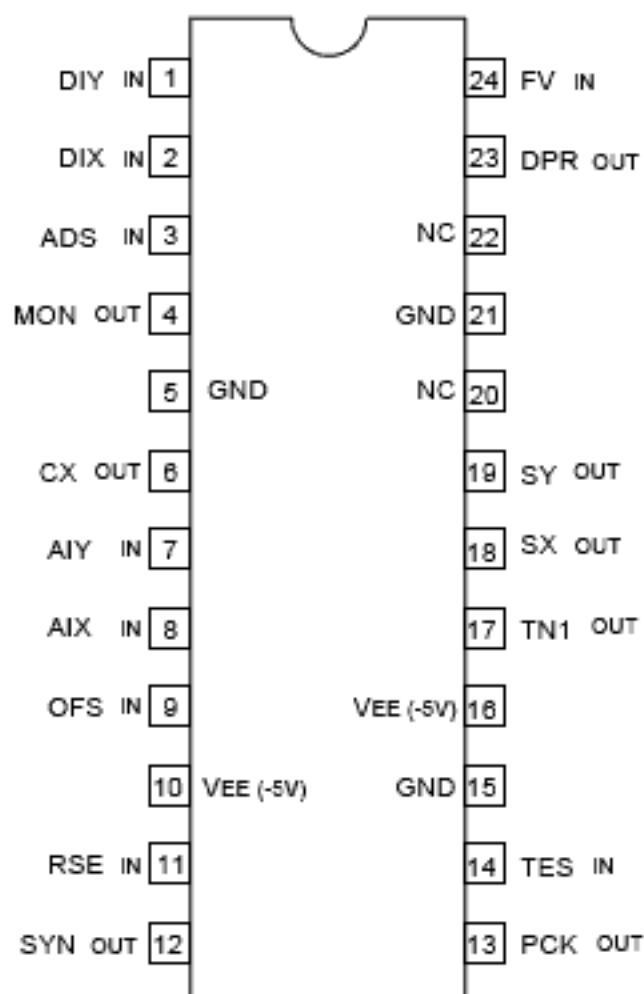


# SERIAL DATA TRANSMISSION EQUALIZER AND RE-GENERATOR

—TOP VIEW—

**INPUT**

- ADS ; AERIAL DATA SELECT  
(H: DIGITAL, L: ANALOG)
- AIX, AIY ; EQUALIZER
- DIX, DIY ; SERIAL DATA
- FV ; VCO FREQ. ADJ.
- OFS ; AGC OFFSET ADJ.
- RSE ; VCO RANGE SELECT  
(H: HIGH RANGE)
- TES ; TEST TERMINAL

**OUTPUT**

- CX ; EQUALIZER DETECT (L: NO INPUT)
- DPR ; SERIAL DATA DETECT (L: NO INPUT)
- MON ; EQUALIZER MONITOR
- PCK ; PARALLEL CLOCK
- SX, SY ; SERIAL DATA
- SYN ; TRS DETECT
- TN1 ; TEST TERMINAL

