

$I_{F(AV)} = 1 \text{ Amp}$
 $V_R = 40V$

Major Ratings and Characteristics

Characteristics	Value	Units
I_{FAV} Rect. Waveform	1.0	A
V_{RRM}	40	V
I_{FSM} @tp = 5 μ s sine	120	A
V_F @1.0Apk, $T_J=125^\circ\text{C}$	0.49	V
T_J range	- 55 to 150	$^\circ\text{C}$

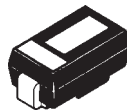
Description/ Features

The MBRA140TR surface mount Schottky rectifier has been designed for applications requiring low forward drop and very small foot prints on PC boards. Typical applications are in disk drives, switching power supplies, converters, free-wheeling diodes, battery charging, and reverse battery protection.

- Small foot print, surface mountable
- Low forward voltage drop
- High frequency operation
- Guard ring for enhanced ruggedness and long term reliability

Case Styles

MBRA140TR



SMA

Voltage Ratings

Part number	MBRA140TR
V_R Max. DC Reverse Voltage (V)	40
V_{RWM} Max. Working Peak Reverse Voltage (V)	

Absolute Maximum Ratings

Parameters	Value	Units	Conditions
$I_{F(AV)}$ Max. Average Forward Current * See Fig. 4	1.0	A	50% duty cycle @ $T_L = 118^\circ\text{C}$, rectangular wave form. On PC board 9mm ² island (.013mm thick copper pad area)
I_{FSM} Max. Peak One Cycle Non-Repetitive Surge Current * See Fig. 6	120	A	5 μs Sine or 3 μs Rect. pulse
	30		10ms Sine or 6ms Rect. pulse
E_{AS} Non-Repetitive Avalanche Energy	3.0	mJ	$T_J = 25^\circ\text{C}$, $I_{AS} = 1\text{A}$, $L = 6\text{mH}$
I_{AR} Repetitive Avalanche Current	1.0	A	

Electrical Specifications

Parameters	Value	Units	Conditions	
V_{FM} Max. Forward Voltage Drop (1) * See Fig. 1	0.55	V	@ 1A	
	0.71	V	@ 2A	
				$T_J = 25^\circ\text{C}$
	0.5	V	@ 1A	$T_J = 100^\circ\text{C}$
	0.65	V	@ 2A	
				$T_J = 125^\circ\text{C}$
I_{RM} Max. Reverse Leakage Current (1) * See Fig. 2	0.5	mA	$T_J = 25^\circ\text{C}$	
	10	mA	$T_J = 100^\circ\text{C}$	
	26	mA	$T_J = 125^\circ\text{C}$	
			$V_R = \text{rated } V_R$	
$V_{F(TO)}$ Threshold Voltage	0.36	V	$T_J = T_J \text{ max.}$	
r_t Forward Slope Resistance	104	m Ω		
C_T Typical Junction Capacitance	38	pF	$V_R = 10V_{DC}$, $T_J = 25^\circ\text{C}$, test signal = 1Mhz	
L_S Typical Series Inductance	2.0	nH	Measured lead to lead 5mm from package body	
dv/dt Max. Voltage Rate of Change	10000	V/ μs	(Rated V_R)	

(1) Pulse Width < 300 μs , Duty Cycle < 2%

Thermal-Mechanical Specifications

Parameters	Value	Units	Conditions
T _J Max. Junction Temperature Range (*)	-55 to 150	°C	
T _{stg} Max. Storage Temperature Range	-55 to 150	°C	
R _{thJL} Max. Thermal Resistance Junction to Lead (**)	35	°C/W	DC operation (* See Fig. 4)
R _{thJA} Max. Thermal Resistance Junction to Ambient	80	°C/W	DC operation
wt Approximate Weight	0.07(0.002)	g (oz.)	
Case Style	SMA		Similar D-64
Device Marking	IR14		

(*) $\frac{dP_{tot}}{dT_j} < \frac{1}{R_{th(j-a)}}$ thermal runaway condition for a diode on its own heatsink

(**) Mounted 1 inch square PCB, Thermal Probe connected to lead 2mm from Package

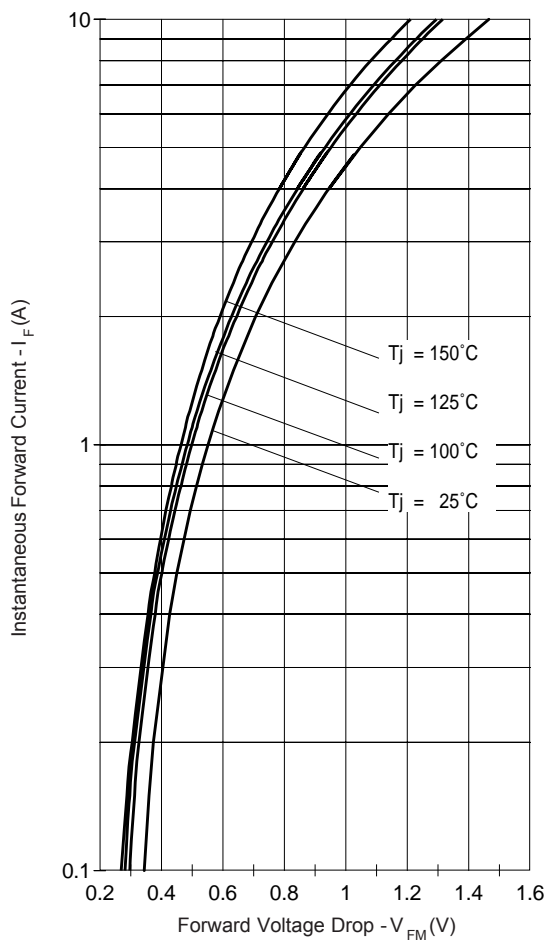


Fig. 1 - Maximum Forward Voltage Drop Characteristics

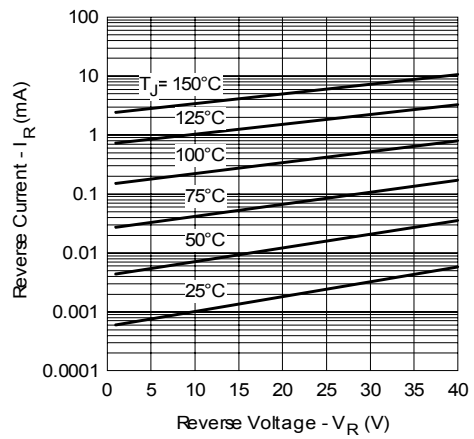


Fig. 2 - Typical Peak Reverse Current Vs. Reverse Voltage

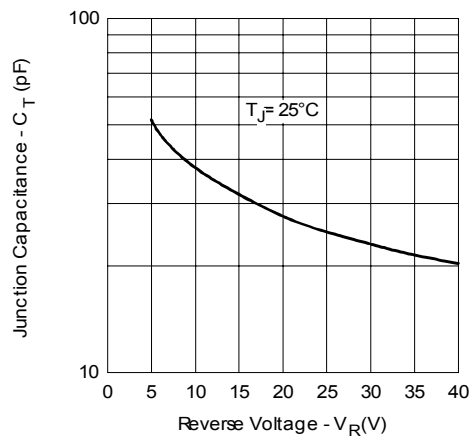


Fig. 3 - Typical Junction Capacitance Vs. Reverse Voltage

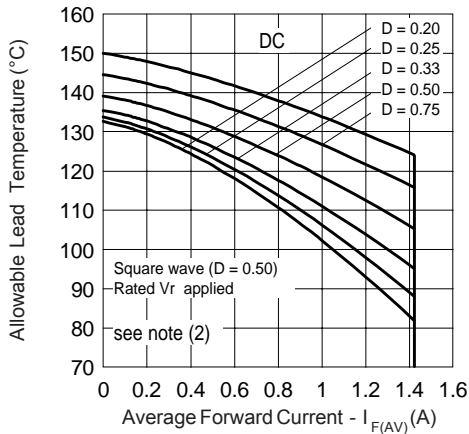


Fig. 4 - Maximum Average Forward Current Vs. Allowable Lead Temperature

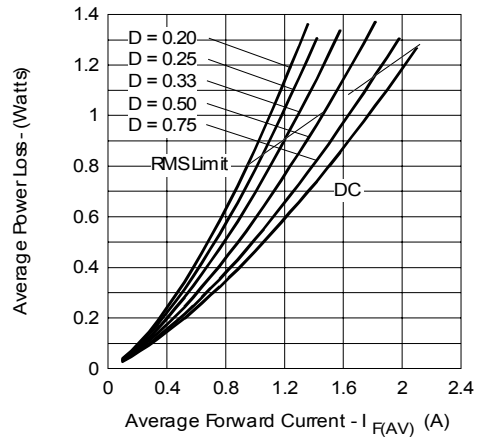


Fig. 5 - Maximum Average Forward Dissipation Vs. Average Forward Current

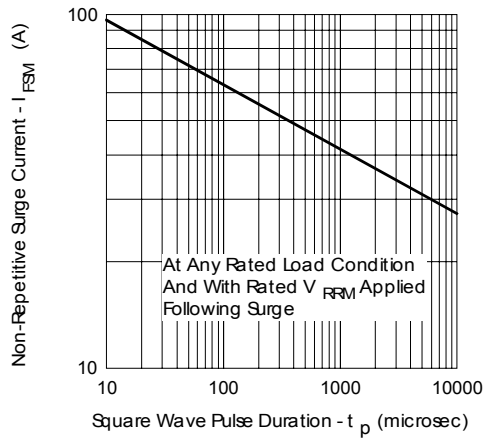


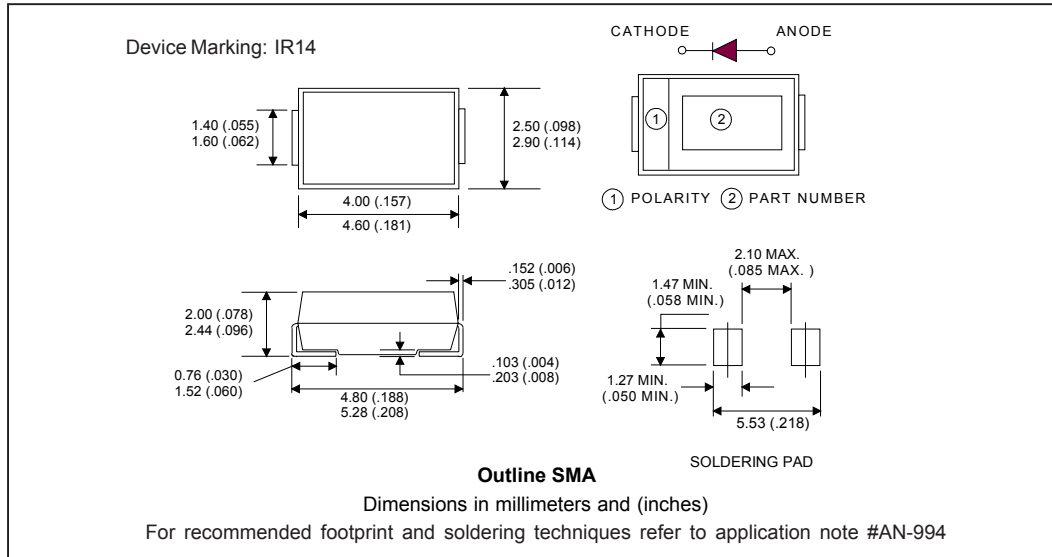
Fig. 6 - Maximum Peak Surge Forward Current Vs. Pulse Duration

(2) Formula used: $T_c = T_j - (Pd + Pd_{REV}) \times R_{thJC}$;

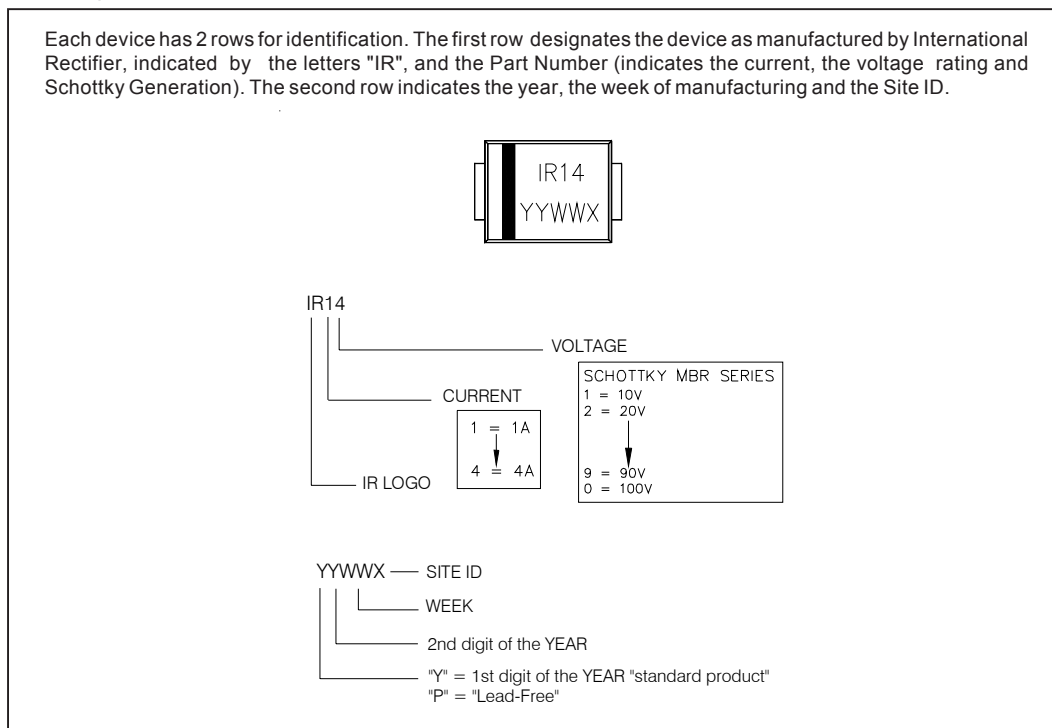
$Pd = \text{Forward Power Loss} = I_{F(AV)} \times V_{FM} @ (I_{F(AV)} / D)$ (see Fig. 6);

$Pd_{REV} = \text{Inverse Power Loss} = V_{R1} \times I_R (1 - D)$; $I_R @ V_{R1} = 80\% \text{ rated } V_R$

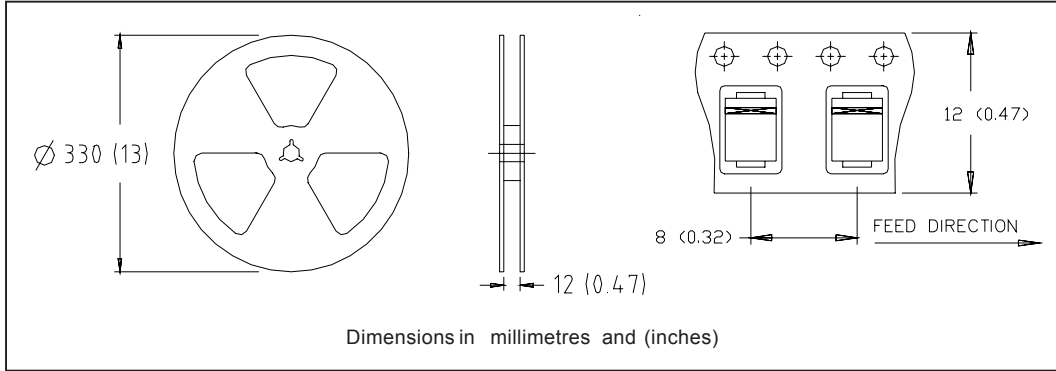
Outline Table



Marking & Identification



Tape & Reel Information



Ordering Information Table

Device Code					
MBR	A	1	40	TR	-
①	②	③	④	⑤	⑥
1	- Schottky MBR Series				
2	- A = SMA				
3	- Current Rating (1 = 1 A)				
4	- Voltage Rating (40 = 40V)				
5	- TR = Tape & Reel (7500 pieces)				
6	<ul style="list-style-type: none"> • none = Standard Production • PbF = Lead-Free 				

Data and specifications subject to change without notice.
 This product has been designed and qualified for Industrial Level.
 Qualification Standards can be found on IR's Web site.