

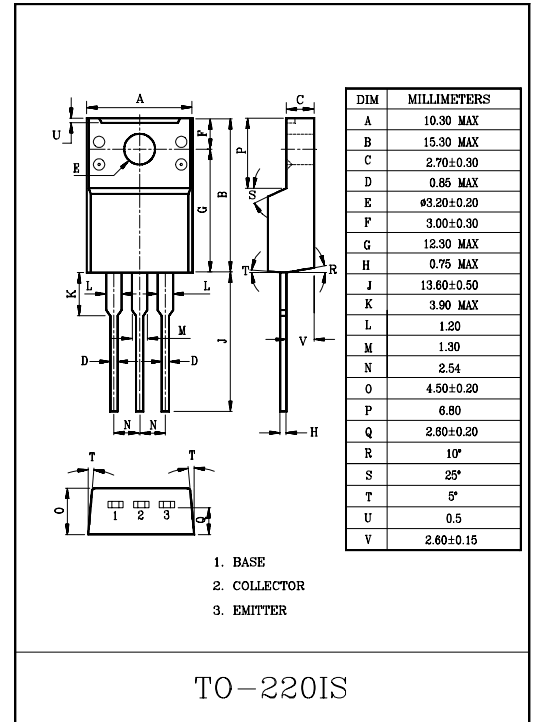
B/W TV HORIZONTAL DEFLECTION  
OUTPUT APPLICATION.

### FEATURES

- Large Collector Current Capability.
- Large Collector Power Dissipation Capability.

### MAXIMUM RATINGS (Ta=25°C)

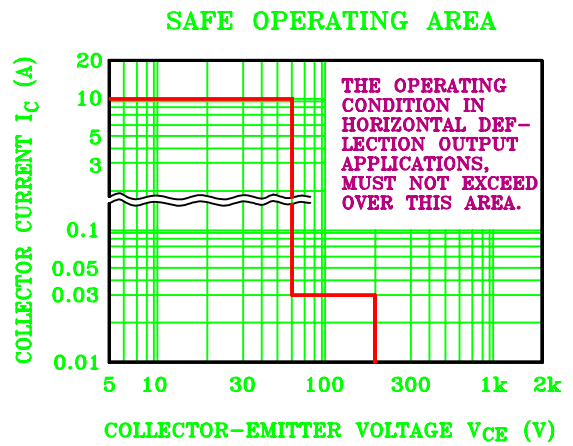
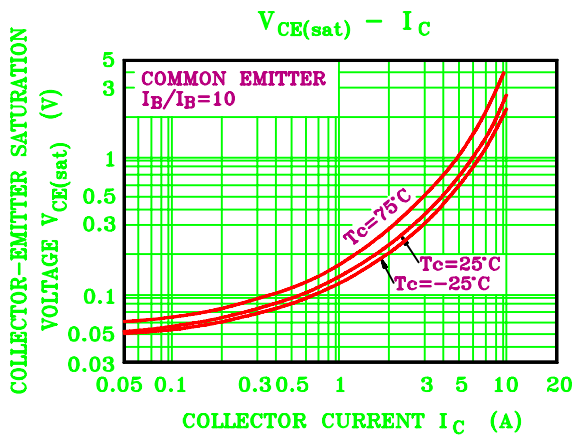
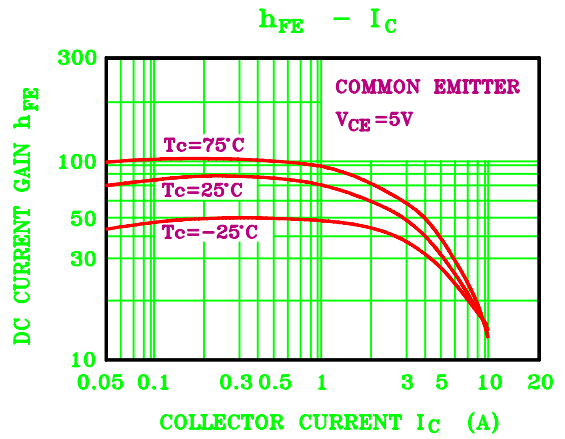
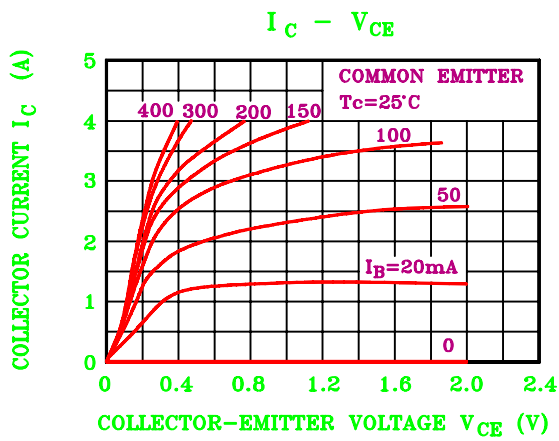
CHARACTERISTIC	SYMBOL	RATING	UNIT
Collector-Base Voltage	$V_{CBO}$	200	V
Collector-Emitter Voltage	$V_{CEO}$	60	V
Emitter-Base Voltage	$V_{EBO}$	5	V
Collector Current	$I_C$	4	A
	$I_{CP}$	10	
Base Current	$I_B$	1	A
Collector Power Dissipation (Tc=25°C)	$P_C$	30	W
Junction Temperature	$T_j$	150	°C
Storage Temperature Range	$T_{stg}$	-55 ~ 150	°C



### ELECTRICAL CHARACTERISTICS (Ta=25°C)

CHARACTERISTIC	SYMBOL	TEST CONDITION	MIN.	TYP.	MAX.	UNIT
Collector Cut-off Current	$I_{CBO}$	$V_{CB}=170V, I_B=0$	-	-	10	$\mu A$
Emitter Cut-off Current	$I_{EBO}$	$V_{EB}=5V, I_C=0$	-	-	10	$\mu A$
DC Current Gain	$h_{FE} (1)$	$V_{CE}=5V, I_C=1A$	30	-	150	
	$h_{FE} (2)$	$V_{CE}=5V, I_C=4A$	20	40	-	
Collector-Emitter Saturation Voltage	$V_{CE(sat)}$	$I_C=4A, I_B=0.4A$	-	-	1.0	V
Base-Emitter Saturation Voltage	$V_{BE(sat)}$	$I_C=4A, I_B=0.4A$	-	-	1.5	V
Transition Frequency	$f_T$	$V_{CE}=5V, I_C=0.5A$	-	8.0	-	MHz

# KTC1003



## TEST CIRCUIT

