

# HMC284MS8G

## SPDT NON-REFLECTIVE SWITCH, DC - 3.5 GHz

### Typical Applications

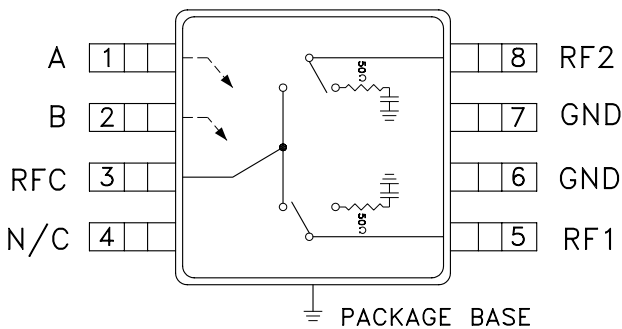
The HMC284MS8G is ideal for:

- Cellular/PCS Base Stations
- 2.4 GHz ISM
- 3.5 GHz Wireless Local Loop

### Features

- High Isolation: >45 dB
- Positive control: 0/+5V
- Non-Reflective Design
- Ultra Small Package: MSOP8G

### Functional Diagram



### General Description

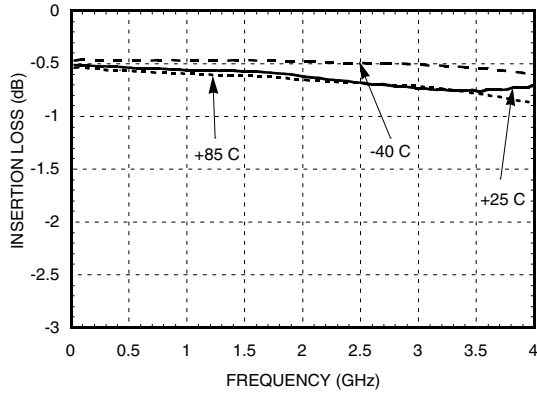
The HMC284MS8G is a low-cost SPDT switch in an 8-lead grounded base MSOP package. The design has been optimized to provide high isolation with minimal insertion loss for medium and low power applications. On-chip circuitry allows positive voltage control operation at very low DC currents with control inputs compatible with CMOS and most TTL logic families. In the "OFF" state, RF1 and RF2 are non-reflective. See reflective high isolation SPDT version, HMC194MS8.

### Electrical Specifications, $T_A = +25^\circ\text{C}$ , $V_{ctl} = 0/+5\text{Vdc}$ , 50 Ohm System

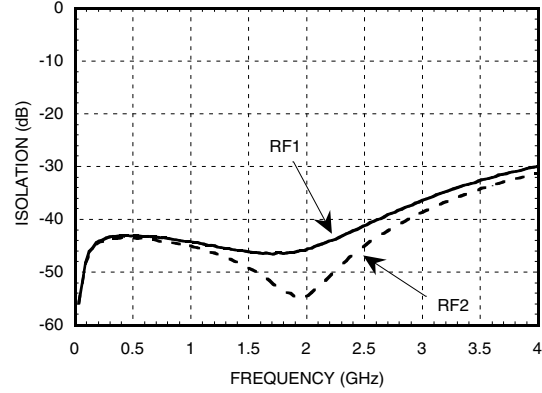
Parameter	Frequency	Min.	Typ.	Max.	Units
Insertion Loss	DC - 2.0 GHz		0.5	0.8	dB
	DC - 3.0 GHz		0.6	0.9	dB
	DC - 3.5 GHz		0.7	1.1	dB
Isolation	RF1 & RF2	41	45		dB
	RF1 / RF2	38/41	41/45		dB
	RF1 / RF2	34/36	37/39		dB
	RF1 & RF2	30	33		dB
Return Loss (On State)	DC - 2.0 GHz	21	25		dB
	DC - 2.5 GHz	13	17		dB
	DC - 3.5 GHz	10	12		dB
Return Loss (Off State)	0.5 - 3.5 GHz	10	13		dB
Input Power for 1 dB Compression	0.5 - 1.0 GHz	20	25		dBm
	0.5 - 3.5 GHz	18	24		dBm
Input Third Order Intercept (Two-Tone Input Power = 0 dBm Each Tone)	0.5 - 3.5 GHz	43	48		dBm
Switching Speed	DC - 3.5 GHz		40		ns
		tRISE, tFALL (10/90% RF) tON, tOFF (50% CTL to 10/90% RF)	60		ns

**SPDT NON-REFLECTIVE  
SWITCH, DC - 3.5 GHz**

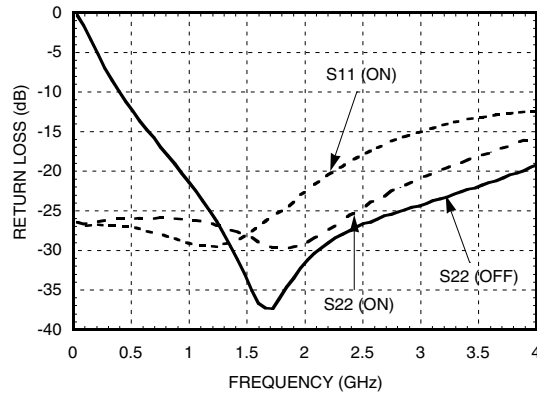
**Insertion Loss**



**Isolation**



**Return Loss**



## SPDT NON-REFLECTIVE SWITCH, DC - 3.5 GHz

### Compression vs Frequency

CTL Input	Carrier at 900 MHz		Carrier at 1900 MHz	
	Input Power for 0.1 dB Compression	Input Power for 1.0 dB Compression	Input Power for 0.1 dB Compression	Input Power for 1.0 dB Compression
	(dBm)	(dBm)	(dBm)	(dBm)
+5	23	25	22	24

**Caution:**

Do not operate continuously at RF power input greater than 1 dB compression and do not "hot switch" power levels greater than +18 dBm (Control = 0/+5 Vdc).

### Distortion vs Frequency

Control Input	Third Order Intercept (dBm) 0 dBm Each Tone	
	900 MHz	1900 MHz
+5	48	50

### Truth Table

\*Control Input Tolerances are +/-0.2 Vdc

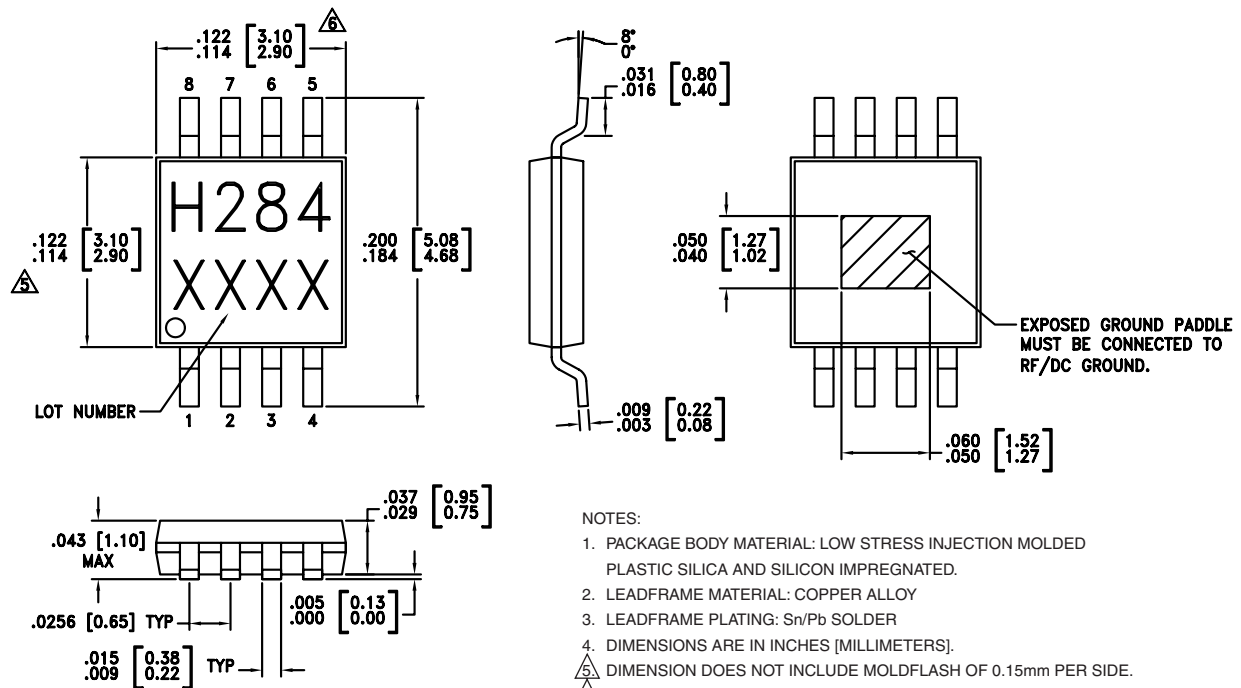
Control Input*		Control Current		Signal Path State	
A (Vdc)	B (Vdc)	Ia (uA)	Ib (uA)	RFC to RF1	RFC to RF2
0	+5	-25	25	ON	OFF
+5	0	25	-25	OFF	ON

DC blocks are required at ports RFC, RF1, RF2.

### Absolute Maximum Ratings

Control Voltage Range	-0.2 to +7.5 Vdc
Channel Temperature	150 °C
Thermal Resistance (Insertion Loss Path)	140 °C/W
Thermal Resistance (Terminated Path)	190 °C/W
Storage Temperature	-65 to +150 °C
Operating Temperature	-40 to +85 °C
RF Input Power Vctl = 0/+5V	+26 dBm

### Outline Drawing

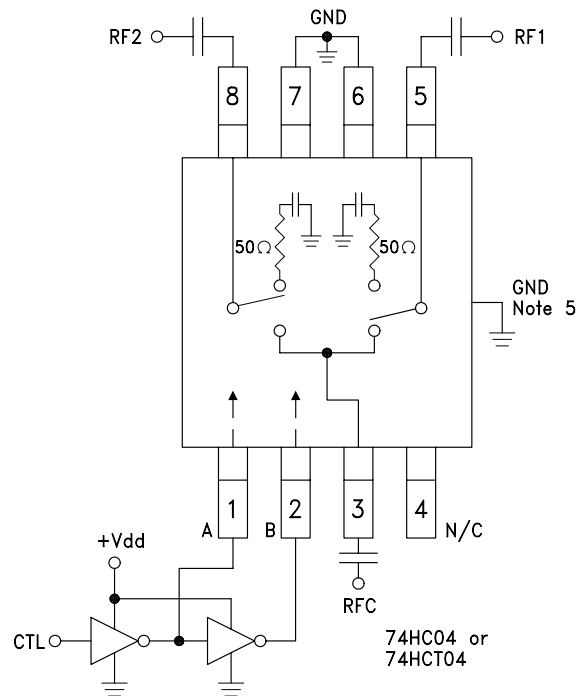


NOTES:

1. PACKAGE BODY MATERIAL: LOW STRESS INJECTION MOLDED PLASTIC SILICA AND SILICON IMPREGNATED.
2. LEADFRAME MATERIAL: COPPER ALLOY
3. LEADFRAME PLATING: Sn/Pb SOLDER
4. DIMENSIONS ARE IN INCHES [MILLIMETERS].
5. DIMENSION DOES NOT INCLUDE MOLDFLASH OF 0.15mm PER SIDE.
6. DIMENSION DOES NOT INCLUDE MOLDFLASH OF 0.25mm PER SIDE.
7. ALL GROUND LEADS AND GROUND PADDLE MUST BE SOLDERED TO PCB RF GROUND.

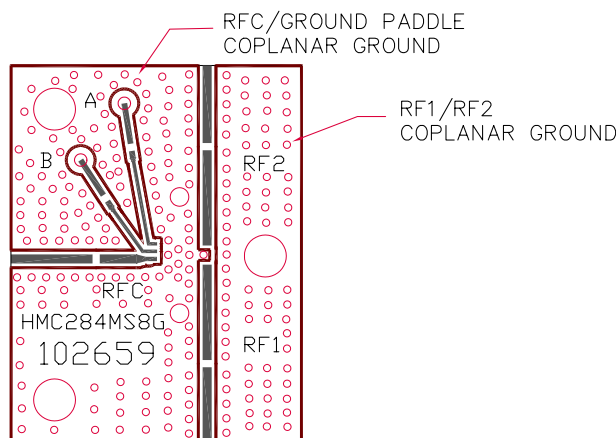
## SPDT NON-REFLECTIVE SWITCH, DC - 3.5 GHz

### Typical Application Circuit

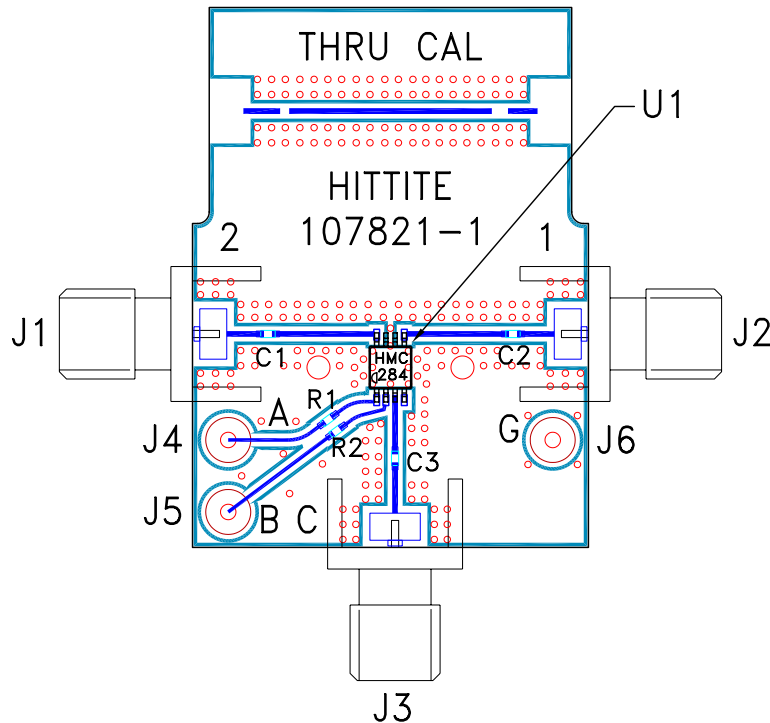


Notes:

1. Set A/B control to 0/+5V, Vdd = +5V and use HCT series logic to provide a TTL driver interface.
2. Control inputs A/B can be driven directly with CMOS logic (HC) with Vdd = +5 Volts applied to the CMOS logic gates.
3. DC blocking capacitors are required for each RF port as shown. Capacitor value determines lowest frequency of operation.
4. Highest RF signal power capability is achieved with Vdd = +7V and A/B set to 0/+7V.
5. Back side paddle must be connected to RF ground.
6. A grounded coplanar waveguide PCB layout technique is recommended to achieve high isolation. The component side ground plane between RFC/grounded paddle and RF1/RF2 should be continuous, see below. There should be a continuous ground plane under component side layout.



### Evaluation PCB



### List of Material

Item	Description
J1 - J3	PC Mount SMA RF Connector
J4 - J6	DC Pin
C1 - C3	100 pF capacitor, 0402 Pkg.
R1, R2	100 $\Omega$ resistor, 0402 Pkg.
U1	HMC284MS8 SPDT Switch
PCB*	107821 Evaluation PCB
* Circuit Board Material: Rogers 4350	

The circuit board used in the final application should be generated with proper RF circuit design techniques. Signal lines at the RF port should have 50 ohm impedance and the package ground leads and package bottom should be connected directly to the ground plane similar to that shown above. The evaluation circuit board shown above is available from Hittite Microwave Corporation upon request.