

Features

- QPSK tuner for quadrature down conversion from L-band to Zero IF
- Compatible with DSS and DVB formats (QPSK)
- Symbol rate range 1 to 45 MSps
- *Power & forget*, fully integrated, alignment free, local oscillator
- Integrated baseband filters with bandwidth adjust from 4 to 40 MHz
- Good immunity to strong adjacent undesired channels
- Selectable RF bypass
- I²C bus interface with 3V3 compatible logic levels
- Integrated RF loop through for cascaded tuner applications
- Power saving mode/hardware power down
- Optimized front end solution when partnered with Zarlink ZL10312 demodulator

Applications

- Satellite receiver systems

Ordering Information

ZL10036LDG	40-pin QFN	(trays)
ZL10036LDF	40-pin QFN	(tape and reel)
ZL10036LDG1	40-pin QFN*	(trays)
ZL10036LDF1	40-pin QFN*	(tape and reel)

*Pb free

-10°C to +85°C

Description

The ZL10036 is a single chip wideband direct conversion tuner, with integral RF bypass, optimized for application in digital satellite receiver systems.

The device offers a highly integrated solution to a satellite tuner function, incorporating an I²C bus interface controller, a low phase noise PLL frequency synthesizer, a quadrature phase split tuner, a fully integrated local oscillator which requires no production set up, and adjustable baseband channel filters.

The I²C bus interface controls all of the tuner functionality including the PLL frequency synthesizer, the bypass disable and the baseband gain and bandwidth adjust.

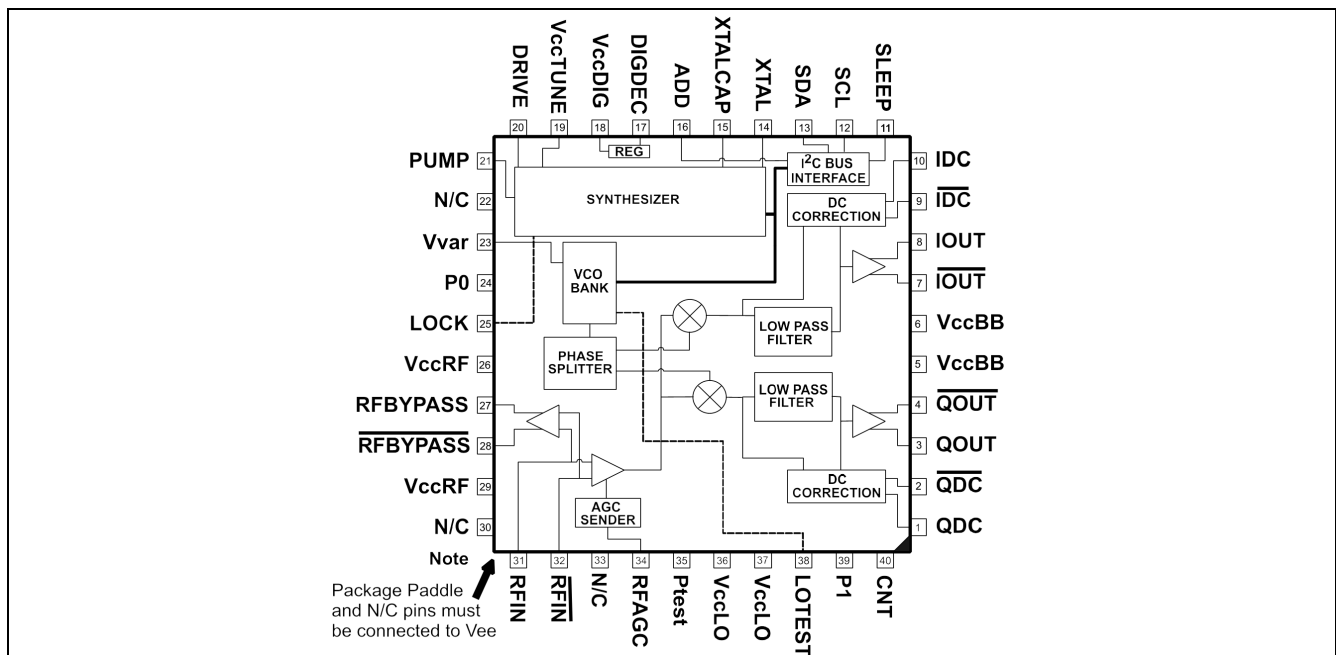


Figure 1 - Basic Block Diagram

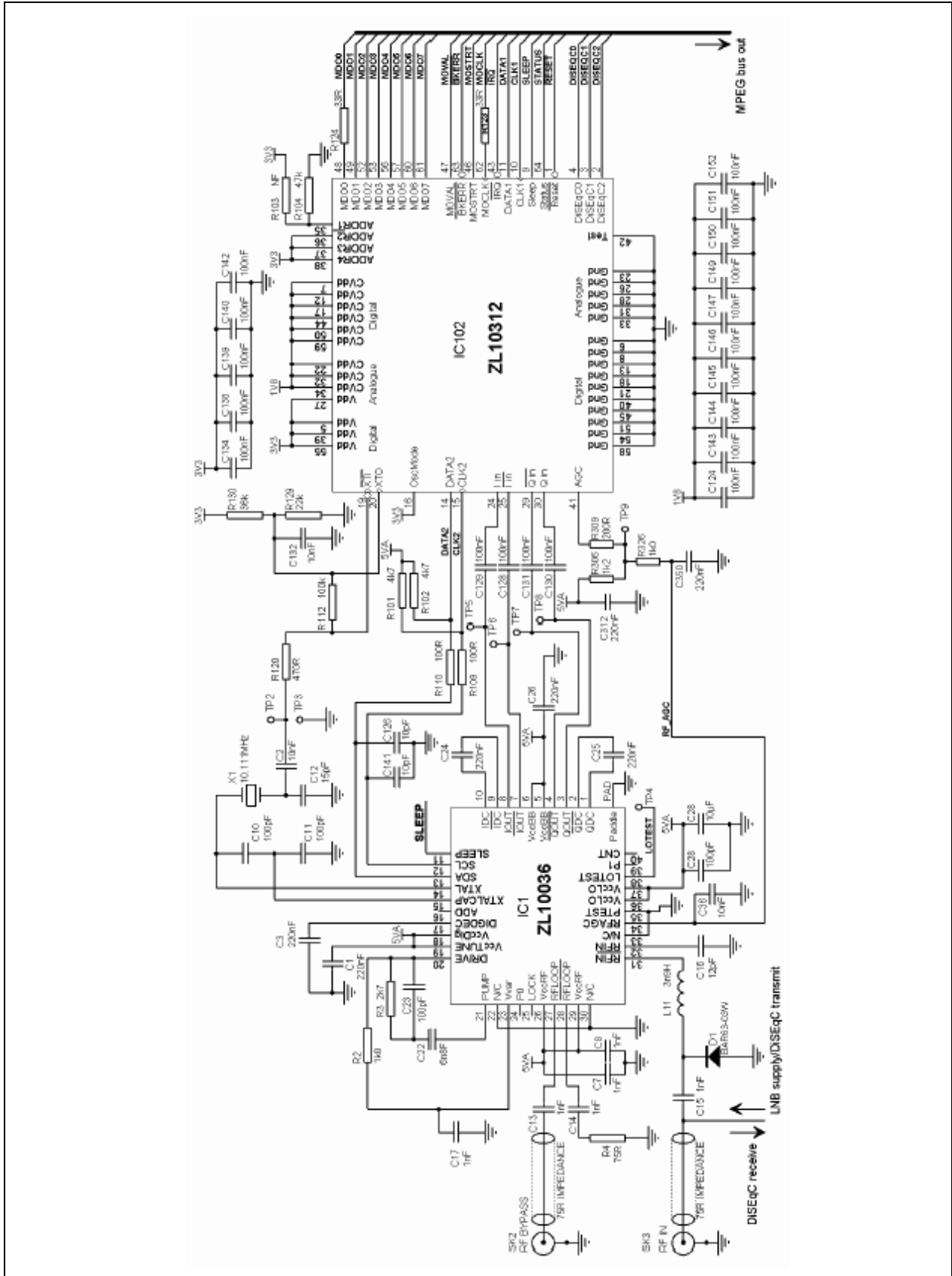


Figure 2 - Typical Application Circuit ZLE10532 (SNIM-9r2) using ZL10312 Demodulator

Table of Contents

1.0 Overview	11
1.1 Conventions in this Manual	11
2.0 Functional Description	12
2.1 Quadrature Down-Converter	12
2.2 AGC Functions	12
2.2.1 RF	13
2.2.2 Baseband	15
2.3 RF bypass	16
2.4 Baseband Filter	17
2.5 Local Oscillator	18
2.6 PLL Frequency Synthesizer	18
2.7 Control Logic	19
3.0 User Control	19
3.1 I/O Pins	19
3.1.1 LOCK - Pin 25	19
3.1.2 SLEEP - Pin 11	19
3.1.3 Output Ports, P1 & P0 - Pins 39 & 24	19
3.2 Device Address Selection	20
3.3 Read Register	20
3.3.1 Power-On Reset Indicator (POR bit)	20
3.3.2 Frequency & Phase Lock (FL bit)	20
3.3.3 Internal Operation Indicators (X Bits)	21
3.4 Write Registers	21
3.4.1 Register Sub-Addressing	21
3.4.2 Register Mapping	22
3.4.3 Synthesizer Division Ratio ($2^{14}:2^0$ Bits)	23
3.4.4 RF Gain (RFG Bit)	23
3.4.5 Baseband Pre-Filter Gain Adjust (BA1:0 Bits)	23
3.4.6 Baseband Post-Filter Gain (BG1:0 Bits)	23
3.4.7 RF Bypass Disable (LEN Bit)	24
3.4.8 Output Port Controls (P1 & P0 Bits)	24
3.4.9 Power Down (PD Bit)	24
3.4.10 Logic Reset (CLR Bit)	24
3.4.11 Charge Pump Current (C1 & C0 Bits)	24
3.4.12 Reference Division Ratios (R4:0 Bits)	25
3.4.13 Baseband Filter Resistor Switching (RSD)	25
3.4.14 Baseband Filter Bandwidth (BF6:1 & BR4:0 Bits)	25
3.4.15 LO Test (TL Bit)	25
4.0 Software	26
4.1 Power-on Software Initialization	26
4.2 Changing Channel	26
4.3 Symbol Rate and Filter Calculations	26
4.3.1 Determining the Filter Bandwidth from the Symbol Rate	26
4.3.2 Calculating the Filter Bandwidth	27
4.3.3 Determining the Values of BF and BR	27
4.3.3.1 Calculating the Value of BR	27
4.3.3.2 Calculating the Value of BF	27
4.3.4 Filter Bandwidth Programming Examples	28
4.4 Programming Sequence for Filter Bandwidth Changes	28
5.0 Application Notes	29
5.1 Thermal Considerations	29
5.2 Crystal Oscillator Notes	30

Table of Contents

6.0 Electrical characteristics	31
6.1 Test Conditions	31
6.2 Absolute Maximum Ratings	31
6.3 Recommended Operating Conditions	32
6.4 DC Characteristics	32
6.5 AC Characteristics	33

List of Figures

Figure 1 - Basic Block Diagram	1
Figure 2 - Typical Application Circuit ZLE10532 (SNIM-9r2) using ZL10312 Demodulator	2
Figure 3 - Functional Block Diagram	12
Figure 4 - AGC Control Structure	13
Figure 5 - Typical First Stage RF AGC Response	13
Figure 6 - Variation in IIP2 with AGC setting	14
Figure 7 - Variation in IIP3 with AGC setting	14
Figure 8 - Variation in NF with Input Amplitude (typical)	15
Figure 9 - RF input and Output (bypass) Return Losses	16
Figure 10 - Normalized Filter Transfer Characteristic (Setting 20 MHz)	17
Figure 11 - LO Phase Noise Performance	18
Figure 12 - Copper Dimensions for Optimum Heat Transfer	29
Figure 13 - Paste Mask for Reduced Paste Coverage	29
Figure 14 - Typical Oscillator Arrangement with Optional Output	30
Figure 15 - Typical Arrangement for External Oscillator	30

List of Tables

Table 1 - Pins by Number Order	7
Table 2 - Pins by Name Order	7
Table 3 - Address Selection	20
Table 4 - Read Data Bit Format (MSB is Transmitted First)	20
Table 5 - Byte Address Allocation in Write Mode	21
Table 6 - Bit Allocations in the Write Registers	22
Table 7 - Key to Table 6	22
Table 8 - RFG Register Bit Function	23
Table 9 - BA1/0 Register Bits Function	23
Table 10 - BG1/0 Register Bits Function	23
Table 11 - Port Control Bits	24
Table 12 - Charge Pump Currents	24
Table 13 - Division Ratios Set with Bits R4 - R0	25
Table 14 - Crystal Capacitor Values for 4 MHz and 10.111 MHz Operation	30

Pin Listings

No.	Name	No.	Name	No.	Name	No.	Name
1	QDC	11	SLEEP	21	PUMP	31	RFIN
2	$\overline{\text{QDC}}$	12	SCL	22	N/C	32	$\overline{\text{RFIN}}$
3	QOUT	13	SDA	23	Vvar	33	N/C
4	$\overline{\text{QOUT}}$	14	XTAL	24	P0	34	RFAGC
5	VccBB	15	XTALCAP	25	LOCK	35	PTEST
6	VccBB	16	ADD	26	VccRF	36	VccLO
7	$\overline{\text{IOUT}}$	17	DIGDEC	27	RFBYPASS	37	VccLO
8	IOUT	18	VccDIG	28	$\overline{\text{RFBYPASS}}$	38	LOTEST
9	$\overline{\text{IDC}}$	19	VccTUNE	29	VccRF	39	P1
10	IDC	20	DRIVE	30	N/C	40	CNT

Table 1 - Pins by Number Order

Name	No.	Name	No.	Name	No.	Name	No.
ADD	16	N/C	22	$\overline{\text{QOUT}}$	4	VccBB	6
CNT	40	N/C	30	RFAGC	34	VccDIG	18
DIGDEC	17	N/C	33	RFIN	31	VccLO	36
DRIVE	20	P0	24	$\overline{\text{RFIN}}$	32	VccLO	37
$\overline{\text{IDC}}$	9	P1	39	RFBYPASS	27	VccRF	26
IDC	10	PTEST	35	$\overline{\text{RFBYPASS}}$	28	VccRF	29
IOUT	7	PUMP	21	SCL	12	VccTUNE	19
IOUT	8	QDC	1	SDA	13	Vvar	23
LOCK	25	$\overline{\text{QDC}}$	2	SLEEP	11	XTAL	14
LOTEST	38	QOUT	3	VccBB	5	XTALCAP	15

Table 2 - Pins by Name Order

Pin Description

Pin	Symbol	Direction	Function	Schematics
1	QDC	NA	Q Channel DC offset correction capacitor. Configuration and value as per application diagram (see Figure 2)	
2	$\overline{\text{QDC}}$	NA		
3	QOUT	Out	Q Channel baseband differential outputs. AC couple outputs as per applications diagram (see Figure 2)	
4	$\overline{\text{QOUT}}$	Out		
5	VccBB		+5 V voltage supply for Baseband	
6	VccBB		+5 V voltage supply for Baseband	
7	$\overline{\text{IOUT}}$	Out	I Channel baseband differential outputs AC couple outputs as per applications diagram (Figure 2)	Same configuration as pins 3 & 4
8	IOUT	Out		
9	$\overline{\text{IDC}}$	NA	I Channel DC offset correction capacitor. Configuration and value as per application diagram (Figure 2)	Same configuration as pins 1 & 2
10	IDC	NA		
11	SLEEP	In	Hardware power down input. Logic '0' – normal mode. Logic '1' - analogue sections are powered down. This function is OR'ed with the PD control function, see section 3.1.2	<p>CMOS Digital Input</p>
12	SCL	In	I ² C serial clock input	
13	SDA	Out	I ² C serial data input/output	

Pin	Symbol	Direction	Function	Schematics
14	XTAL	In	Reference oscillator crystal inputs. Selected crystal frequency must be programmed in BR4 to BR0 for correct baseband filter bandwidth operation.	
15	XTALCAP	Out	XTAL pin is used for external reference input via 10 nF capacitor.	
16	ADD	In	Variable I ² C address selection allowing the use of more than one device per I ² C bus system by the voltage on this pin. See Table 3 for programming details.	
17	DIGDEC	Out	Decouple pin for internal digital 3.3 V regulator	
18	VccDIG		+5 V voltage supply for digital logic	
19	VccTune		Varactor tuning +5 V supply	
20	DRIVE	IO	Loop amplifier output and input pins	
21	PUMP	IO		
22	N/C		Not connected. Ground externally.	
23	Vvar	In	LO tuning voltage input	

Pin	Symbol	Direction	Function	Schematics
24	P0	Out	Switching port P0. '0' = disabled (high impedance). '1' = enabled.	
25	LOCK	Out	Output which indicates that phase comparator phase and frequency lock has been obtained and that the varactor voltage is within 'tune unlock' window. This powers up in logic '0' state.	
26	VccRF		+5 V voltage supply for RF	
27	RFBYPASS	Out	RF Bypass differential outputs. AC couple outputs. Matching circuitry as per applications diagram (Figure 2).	
28	$\overline{\text{RFBYPASS}}$	Out	In applications where RF Bypass is not required, pins should not be connected.	
29	VccRF		+5 V voltage supply for RF	
30	N/C		Not connected. Ground externally.	
31	RFIN	In	RF differential inputs. AC couple input.	
32	$\overline{\text{RFIN}}$	In	Matching circuitry as per applications diagram.	
33	N/C		Not connected. Ground externally.	
34	RFAGC	In	RF analogue gain control input	

Pin	Symbol	Direction	Function	Schematics
35	PTEST	In	Connected to internal circuit for monitoring die temperature	
36	VccLO		+5 V voltage supply for LO	
37	VccLO		+5 V voltage supply for LO	
38	LOTEST	IO	Bi-directional test port for accessing internal LO AC couple input.	
39	P1	Out	Switching port P1 '0' = disabled (high impedance) '1' = enabled	Same configuration as pin 24, P0
40	CNT		Bonded to paddle. Production continuity test for paddle soldering	

Note: Exposed paddle on rear of package must be connected to GND

1.0 Overview

1.1 Conventions in this Manual

Hexadecimal values are typically shown as 0xABCDEF. Binary values (usually of register bits) are shown as 01100₂. All other numbers should be considered to be decimal values unless specified otherwise.

2.0 Functional Description

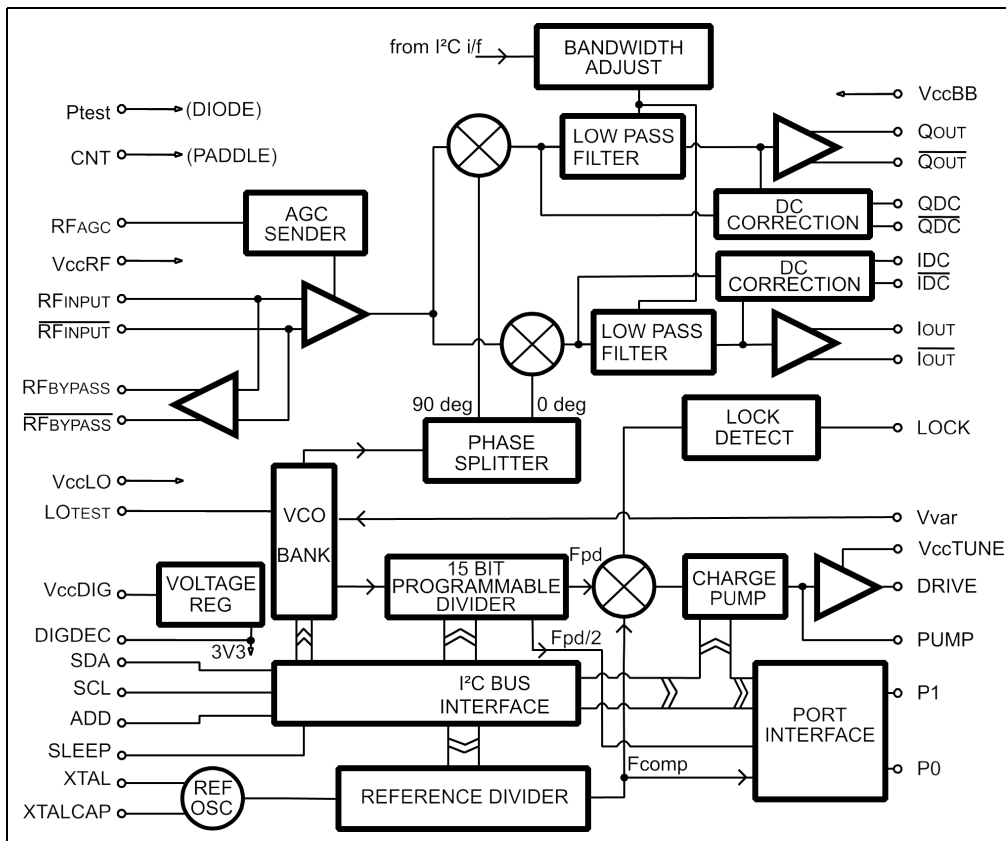


Figure 3 - Functional Block Diagram

2.1 Quadrature Down-Converter

In normal applications the tuner RF input frequency of 950 - 2150 MHz is fed directly to the ZL10036 RF input preamplifier stage, through an appropriate impedance match. The input preamplifier is optimized for NF, S11 and signal handling.

The signal handling of the front end is designed such that no tracking filter is required to offer immunity to input composite overload.

2.2 AGC Functions

The ZL10036 contains an analogue RF AGC combined with digitally controlled gain for RF, baseband pre-filter and post-filter, as described in Figure 4. The baseband AGC is controlled by the I²C bus and is divided into pre- and post-baseband filter stages, each of which have 12.6 dB of gain adjust in 4.2 dB steps.

The RF AGC is provided as the dynamic system gain adjust under control of the baseband analogue AGC output function whereas the digitally controlled gains are provided to maximize performance under different signal conditions. The total AGC gain range will guarantee an operating dynamic range of -92 to -10 dBm.

The digitally controlled RF gain adjust and the baseband pre-filter stage can be adjusted in sympathy to maintain a fixed overall conversion gain. The lower RF gain setting would be used in situations where for example there is a high degree of cable tilt or high desired to undesired ratio, whereas the higher RF gain setting would be used in situations where for example it is desirable to minimize NF.

The baseband post-filter gain stage can be used to provide additional gain to maintain desired output amplitude with lower symbol rate applications.

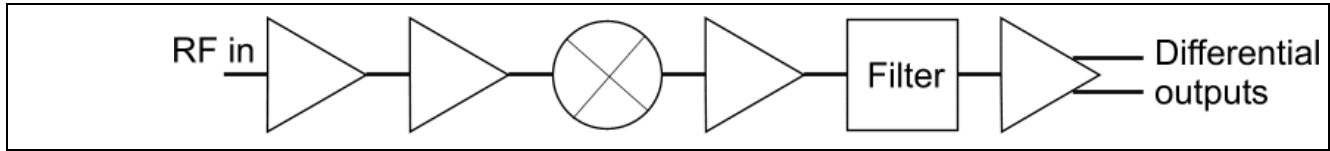


Figure 4 - AGC Control Structure

Normalized gain range in dB:	0 - 72	0 or +4	0 to 12.6 in 4.2 dB steps	0 to 12.6 in 4.2 dB steps
Gain function:	RF AGC	Stepped	Stepped	Stepped
Control function:	Analogue voltage	I ² C bus	I ² C bus	I ² C bus

2.2.1 RF

The RF input amplifier feeds an AGC stage, which provides for RF gain control.

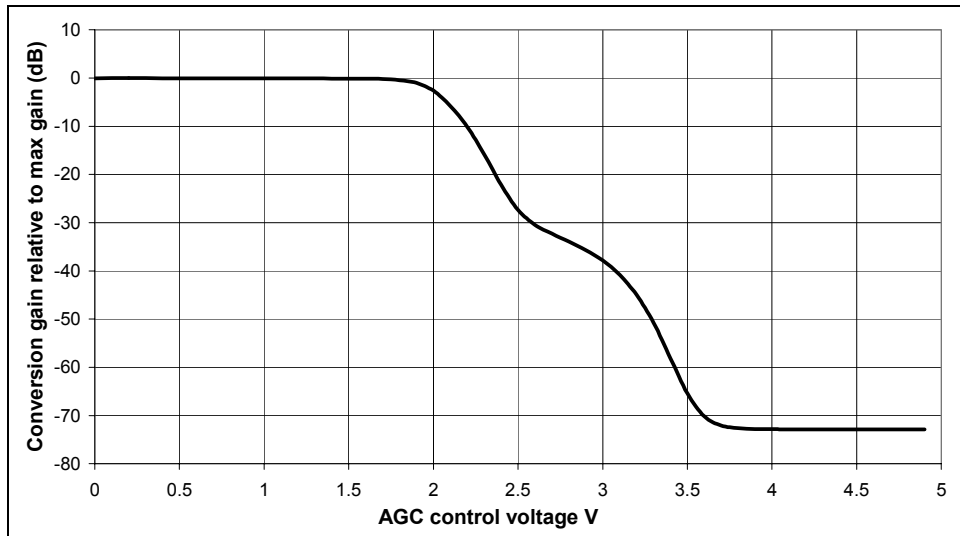


Figure 5 - Typical First Stage RF AGC Response

The RF AGC is divided into two stages. The first stage is a continually variable gain control stage, which is controlled by the AGC sender and provides the main system AGC set under control of the analogue AGC signal generated by the demodulator section. The second stage is a bus programmable, two position gain set previous to the quadrature mixer and provides for 4 dB of gain adjust under software control.

The analogue RF AGC is optimized for S/N and S/I performance across the full dynamic range. The RF AGC characteristic, variation of IIP2, IIP3 and NF are contained in Figure 6, Figure 7 & Figure 8 respectively.

The RF preamplifier is also coupled to the selectable RF bypass, which is described in “RF bypass” on page 16. The specified electrical parameters of the RF input are unaffected by the RF bypass state.

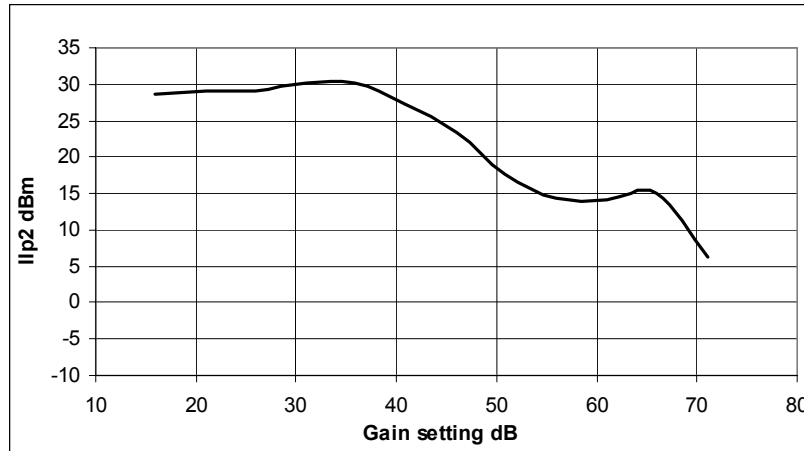


Figure 6 - Variation in IIP2 with AGC setting

(RF gain adjust = +0 dB, prefilter = +4.2 dB and postfilter = 4.2 dB, baseband filter bandwidth = 22 MHz)

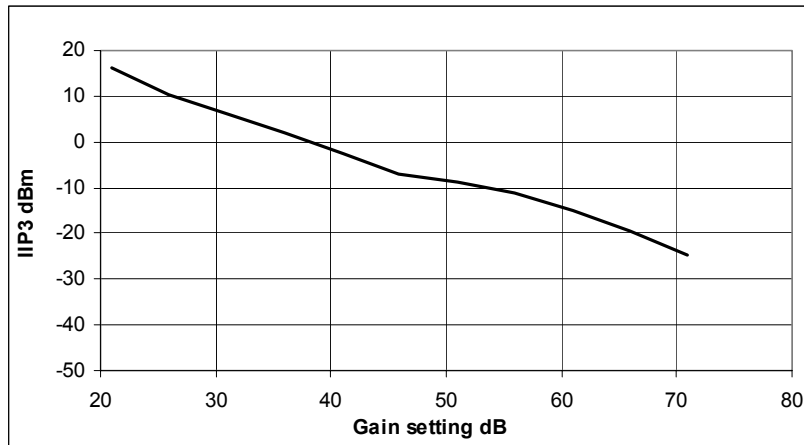


Figure 7 - Variation in IIP3 with AGC setting

(RF gain adjust = +0 dB, prefilter = +4.2 dB and postfilter = 4.2 dB, baseband filter bandwidth = 22 MHz)

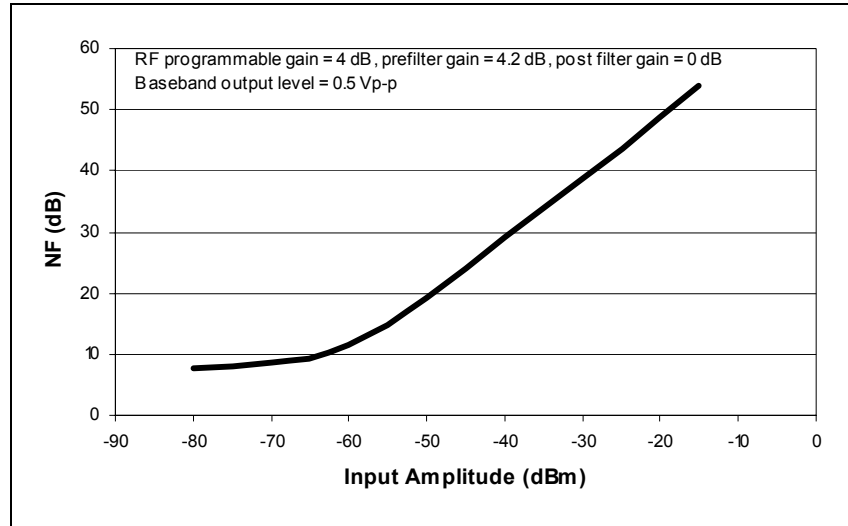


Figure 8 - Variation in NF with Input Amplitude (typical)

The output of the RF AGC stage is coupled to the quadrature mixer where the RF input is mixed with quadrature LO (local oscillator) signals generated by the on-board LO.

2.2.2 Baseband

The mixer outputs are coupled to the baseband quadrature channel amplifier and filter stage, which is of 7th order topology. Operation and control of the baseband filter is contained in “Baseband Filter” on page 17.

The baseband paths are DC coupled, and include a DC correction loop. The high pass characteristic for the DC correction loop is defined by the off chip capacitor connected to pins ‘IDC/IDC’ and ‘QDC/QDC’. The output of each channel stage is designed for low impedance drive capability and low intermodulation and can be loaded either differentially or single-ended; in the case of single-ended load the unused output should be unloaded. The maximum output load is defined in the electrical characteristics table.

2.3 RF bypass

The ZL10036 provides an independent bypass function, which can be used for driving a second receiver module. The electrical characteristics of the RF input are unchanged by the state of the RF bypass.

The bypass provides a differential buffered output from the input signal with a nominal 3.5 dB gain. The unused output should be terminated as in Figure 2 on page 2.

The bypass function is enabled by a single register bit and is not disabled by either the **PD** bit or the SLEEP pin. When disabled the bypass function is in a 'power-down' state. On power up the bypass function is enabled.

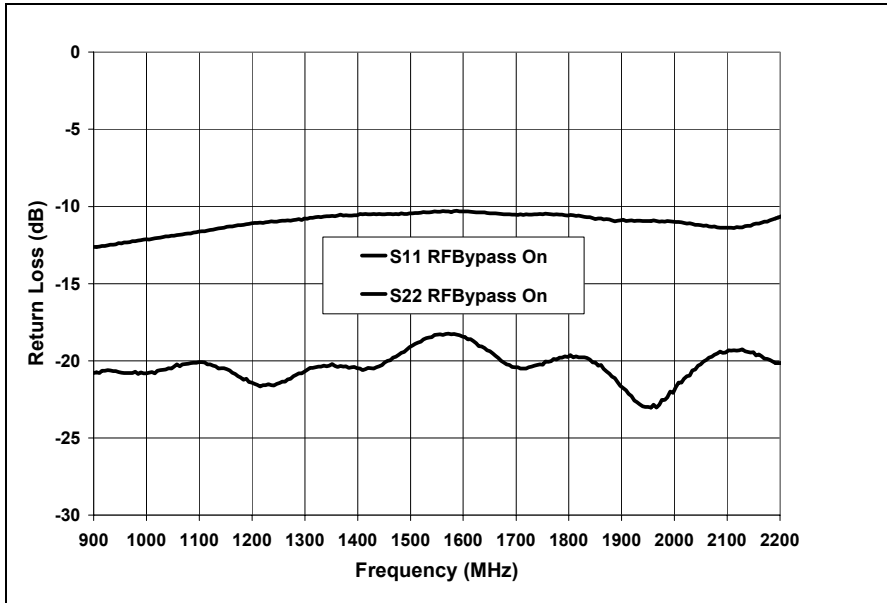


Figure 9 - RF input and Output (bypass) Return Losses

2.4 Baseband Filter

The filter bandwidth is controlled by a Frequency Locked Loop (FLL) the timing of which is derived from the reference crystal source by a reference divider. Five control bits set the system reference division ratio and the baseband filter bandwidth can be programmed with a further six control bits for a nominal range of 4 - 40MHz¹.

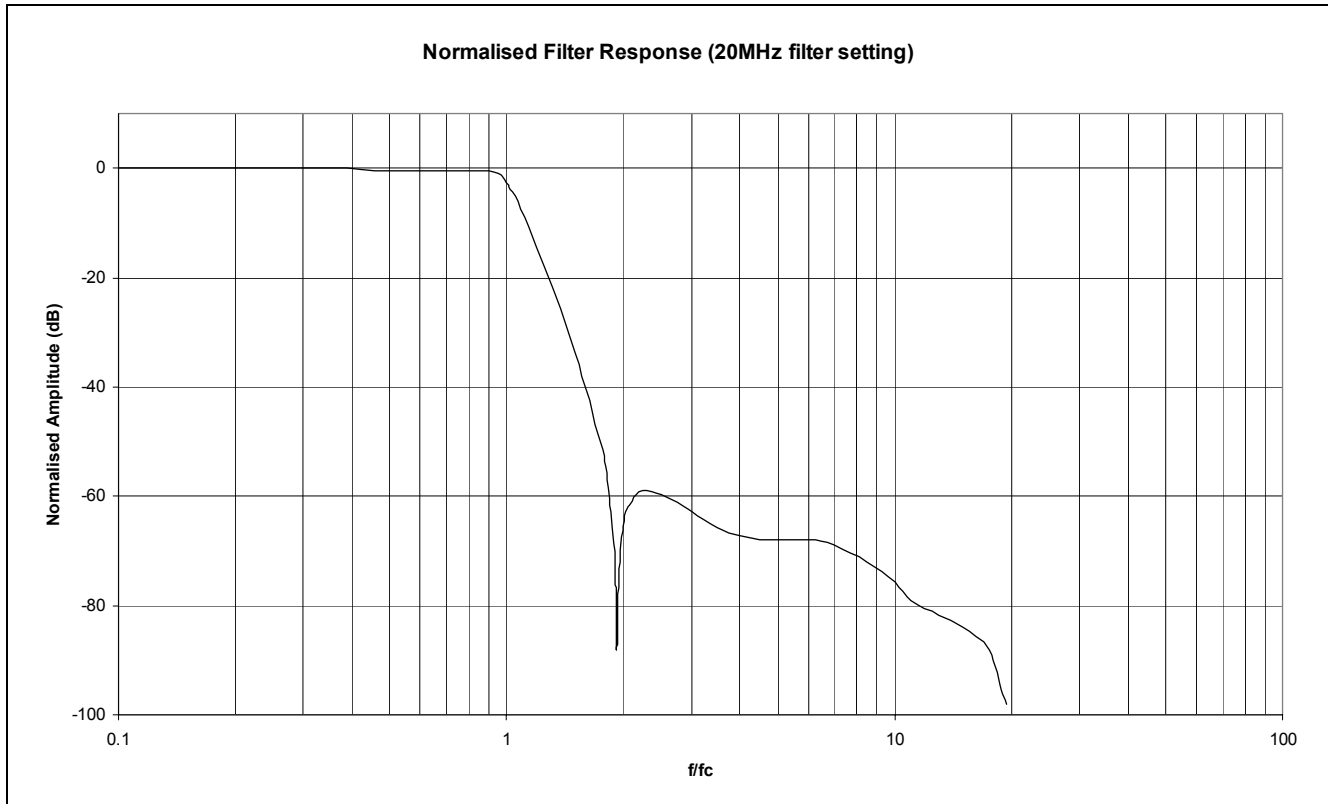


Figure 10 - Normalized Filter Transfer Characteristic (Setting 20 MHz)

The -3 dB bandwidth of the filter (Hz) is given by the following expression: $f_{-3dB} = \frac{f_{xtal}}{BR} \times (BF + 1) \times \frac{1}{K}$

Where:

f_{-3dB} = Baseband filter -3 dB bandwidth (Hz) which should be within the range $8\text{MHz} \leq f_{-3dB} \leq 35\text{MHz}$.

f_{xtal} = Crystal oscillator reference frequency (Hz).

$K = 1.257$ (constant).

BF = Decimal value of the register bits BF6:BF1, range 0 - 62.

BR = Decimal value of the bits BR4:BR0 (baseband filter reference divider ratio), range 4 - 27.

$\frac{f_{xtal}}{BR} = 575 \text{ kHz to } 2.5 \text{ MHz}$.

Methods for determining the values of BR and BF are given in the section on software, please see 4.3, "Symbol Rate and Filter Calculations" on page 26.

1. specification compliant over the range 8 - 35 MHz.

2.5 Local Oscillator

The LO on the ZL10036 is fully integrated and consists of three oscillator stages. These are arranged such that the regions of operation for optimum phase noise are contiguous over the required tuning range of 950 to 2150 MHz and over the specified operating ambient conditions and process spread.

The local oscillators operate at a harmonic of the required frequency and are divided down to the required LO conversion frequency. The required divider ratio is automatically selected by the LO control logic, hence programming of the required conversion frequency across the oscillator bands is automatic and requires no intervention by the user.

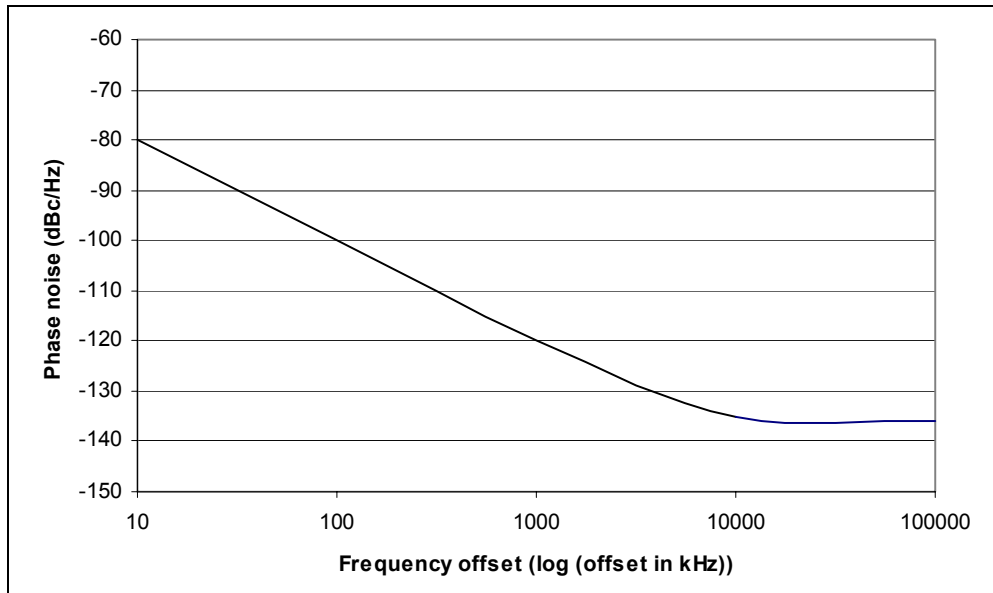


Figure 11 - LO Phase Noise Performance

The oscillators are designed to deliver good free running phase noise at 10 kHz offset, therefore the required integrated phase jitter from the LO can be achieved without the requirement for running with a high comparison frequency and hence large tuning increment and wide loop bandwidth.

2.6 PLL Frequency Synthesizer

The PLL frequency synthesizer section contains all the elements necessary, with the exception of a frequency reference and loop filter to control a varicap tuned LO, so forming a complete PLL frequency synthesized source. The device allows for operation with a high comparison frequency and is fabricated in high speed logic, which enables the generation of a loop with good phase noise performance. The loop can also be operated up to comparison frequencies of 2 MHz enabling application of a wide loop bandwidth for maximizing the close in phase noise performance. The LO conversion frequency is coupled to the 15-bit divider in the PLL frequency synthesizer.

The output of the programmable divider is fed to the phase comparator where it is compared with the comparison frequency. This frequency is derived either from the on-board crystal controlled oscillator or from an external reference source. In both cases the reference frequency is divided down to the comparison frequency by the reference divider, which is programmable into one of 29 ratios as detailed in Table 13 on page 25.

The typical application for the crystal oscillator is contained in Figure 2 on page 2. The output of the phase detector feeds a charge pump and loop amplifier section. This combined with an external loop filter integrates the current pulses into the varactor line voltage with an output range of V_{ee} to V_{ccTUNE}. The varactor line voltage is externally coupled to the oscillator section through the input V_{var}, enabling application of a third order loop.

Control of the charge pump current can be made as described in Table 12 on page 24.

2.7 Control Logic

The ZL10036 is controlled by an I²C data bus and can function as a slave receiver or slave transmitter compatible with 3V3 or 5 V levels.

Data and Clock are input on the SDA and SCL lines respectively as defined by I²C bus standard. The device can either accept data (slave receiver, write mode), or send data (slave transmitter, read mode). The LSB of the address byte (R/W) sets the device into write mode if it is logic '0', and read mode if it is logic '1'. Table 4 and Table 6 illustrate the format of the read and write data respectively. The device can be programmed to respond to one of four addresses, which enables the use of more than one device in an I²C bus system if required for use in PVR¹ systems, for example. Table 3 shows how the address is selected by applying a voltage to the address, 'ADD', input. When the device receives a valid address byte, it pulls the SDA line low during the acknowledge period, and during following acknowledge periods after further data bytes are received. When the device is programmed into read mode, the controller accepting the data must pull the SDA line low during all status byte acknowledge periods to read another status byte. If the controller fails to pull the SDA line low during this period, the device generates an internal STOP condition, which inhibits further reading.

All the ZL10036 functions are controlled by register bits written through the I²C bus interface. The **SLEEP** pin can be used to power-down the device, but it can also be put into the power-down mode with the **PD** register bit, the two functions being logically OR'ed.

Feedback on the status of the ZL10036 is provided through eight bits in the status byte register, and the phase lock state is also available on the **LOCK** output pin (as well as the **FL** register bit).

3.0 User Control

3.1 I/O Pins

The I²C interface controls all the major functions in the ZL10036. Apart from the various analogue functions, the only pins that either control the ZL10036, or are controlled by the internal logic, are the **LOCK**, **SLEEP**, **P1**, **P0** and **ADD** pins. Details follow:

3.1.1 LOCK - Pin 25

This is an output which indicates phase frequency lock for optimum phase noise. The CMOS output can directly drive a low power LED if required.

3.1.2 SLEEP - Pin 11

The **SLEEP** pin shuts down the analogue sections of the device to give a considerable power saving, typically reducing the power to about one third of its normal level. The RF-bypass function is entirely separate and is unaffected by the state of this pin. The **SLEEP** pin's function is OR'ed with the **PD** register bit see 3.4.9, "Power Down (PD Bit)" on page 24, so that if either is a logic one, the ZL10036 will be powered down, or alternatively, both must be at logic zero for normal operation.

3.1.3 Output Ports, P1 & P0 - Pins 39 & 24

Two open-collector ports are provided for general purpose use, under control of register bits **P1** and **P0**. The default at power-up is for the **P1** & **P0** register bits to be low, hence the outputs will be off, i.e., in their high-impedance states. If connected to a pull-up resistor this will therefore result in a logic high. Setting a register bit high will turn the corresponding output on and therefore pull the logic level to near 0 V giving a logic low.

1. PVR - Personal Video Recorder where dual tuners allow the viewer to watch one channel and record another simultaneously, usually to a hard-disk recording system.

3.2 Device Address Selection

Two internal logic levels, **MA1** and **MA0**, can be set to one of four possible logic states by the voltage applied to the **ADD** pin (#16). These four states in turn define four different read and write addresses on the I²C bus, so that as many as four separate devices can be individually addressed on one bus. This is of particular use in a multi-tuner environment as required by PVR applications.

ADD Pin Voltage	MA1	MA0	Write Address		Read Address	
			Hex.	Dec.	Hex.	Dec.
Vee (0 V or Gnd)	0	0	0xC0	192	0xC1	193
Open circuit	0	1	0xC2	194	0xC3	195
0.5 * DIGDEC ($\pm 20\%$) ¹	1	0	0xC4	196	0xC5	197
DIGDEC	1	1	0xC6	198	0xC7	199

Table 3 - Address Selection

1. can be programmed with a single 30 k Ω resistor to DIGDEC

3.3 Read Register

The ZL10036 status can be read by addressing the device in its slave transmitter mode by setting the LSB of the address byte (the R/W bit) to a one. After the master transmits the correct address byte, the ZL10036 will acknowledge its address, and transmit data in response to further clocks on the SCL input. If the master responds with an acknowledge and further clocks, the status byte will be retransmitted until such time as the master fails to send an acknowledge, when the ZL10036 will release the data bus, allowing the master to generate a stop condition.

Bit No.	7 (MSB)	6	5	4	3	2	1	0 (LSB)
Address	1	1	0	0	0	MA1	MA0	1
Status	POR	FL	X	X	X	X	X	X

Table 4 - Read Data Bit Format (MSB is Transmitted First)

The individual bits in the status register have the following meanings:

3.3.1 Power-On Reset Indicator (POR bit)

This bit is set to a logic '1' if the VccDIG supply to the PLL section has dropped below typically 3.6 V, e.g., when the device is initially turned on. The bit is reset to '0' when the read sequence is terminated by a STOP command. When the POR bit is high, this indicates that the programmed information may have been corrupted and the device reset to power up condition.

3.3.2 Frequency & Phase Lock (FL bit)

Bit 6 (FL) indicates whether the synthesizer is phase locked, a logic '1' is present if the device is locked, and a logic '0' if the device is unlocked.

3.3.3 Internal Operation Indicators (X Bits)

These bits indicate internal logic states and are not required for normal use of the ZL10036.

3.4 Write Registers

The ZL10036 has twelve registers which can be programmed by addressing the device in its slave receiver mode, setting the LSB of the address byte (the R/W bit) to a zero. After the master transmits the correct address byte, the ZL10036 will acknowledge its address, and accept data in response to further clocks on the SCL line. At the end of each byte, the ZL10036 will generate the acknowledge bit. The master can at this point, generate a stop condition, or further clocks on the SCL line if further registers are to be programmed. If data is written after the twelfth register (byte-13), it will be ignored.

3.4.1 Register Sub-Addressing

If some register bits require changing, but not all, it is not necessary to write to all the registers. The registers can be addressed in pairs starting with the even numbered bytes, i.e., 2 & 3, 4 & 5, etc. Table 5 below shows the protocol required to address any of the even numbered register bytes. It therefore follows that to write to register byte-7 for instance, byte-6 must also be written first. Register pairs may be written in any order, as required by the software, e.g., 10/11 may be followed by 4/5.

Data Bits				Byte Selected
7 (MSB)	6	5	4	
0	X	X	X	2
1	0	X	X	4
1	1	0	0	6
1	1	0	1	8
1	1	1	0	10
1	1	1	1	12

'X' = Don't care (content defines a register bit).

Table 5 - Byte Address Allocation in Write Mode

3.4.2 Register Mapping

Byte	Bit No. Function	7 (MSB)	6	5	4	3	2	1	0 (LSB)	Reset state (hex.) ¹	Further information
1	Device address	1	1	0	0	0	MA1	MA0	0		Table 3 on page 20
2	Programmable Divider	0	2 ¹⁴	2 ¹³	2 ¹²	2 ¹¹	2 ¹⁰	2 ⁹	2 ⁸	0x00	See 3.4.3 on page 23
3		2 ⁷	2 ⁶	2 ⁵	2 ⁴	2 ³	2 ²	2 ¹	2 ⁰	0x00	
4	Control Data	1	0	RFG	BA1	BA0	BG1	BG0	LEN	0x80	“3.4.4” to “3.4.7” on p. 24
5		P0	C1	C0	R4	R3	R2	R1	R0	0x00	pp. 24, 24 & 25
6		1	1	0	0	RSD	0	0	0	0xC0	see “3.4.13” on page 25
7		P1	BF6	BF5	BF4	BF3	BF2	BF1	0	0x20	pp. 24 & 25
8		1	1	0	1	0	0	1	1	0xDB	page 26
9		0	0	1	1	0	0	0	0	0x30	page 26
10		1	1	1	0	0	0	0	1	0xE1	page 26
11		U ²	1	1	1	0	1	0	1	0x75/F5	page 26
12		1	1	1	1	0	0	0	0	0xF0	test function only
13		PD	BR4	BR3	BR2	BR1	BR0	CLR	TL	0x28	pp. 24, 25 & 25

Table 6 - Bit Allocations in the Write Registers

1. This is the power-on default register value - recommended operating values may be different, see “4.1” on page 26.
2. This bit is undefined at power up as its level determines different functions for the other bits in this register.

Symbol	Definition	Symbol	Definition
2 ¹⁴ -2 ⁰	Programmable division ratio control bits	MA1,MA0	Variable address bits
BA1-0	Baseband prefilter gain adjust	P0, P1	External switching ports
BF6-1	Baseband bandwidth adjust	PD	Power down
BG1-0	Baseband postfilter gain adjust	R4-R0	Reference division ratio select
BR4-0	Baseband filter FLL reference frequency select	RFG	RF programmable gain adjust
C1,C0	Charge pump current select	RSD	Resistor switch disable
CLR	Control logic reset	TL	Buffered LO output select
LEN	RF bypass enable		

Table 7 - Key to Table 6

3.4.3 Synthesizer Division Ratio ($2^{14}:2^0$ Bits)

The PLL synthesizer interfaces with the LO multiplex output and runs at the desired frequency for down-conversion. The step size at the desired conversion frequency, is equal to the loop comparison frequency.

The programmable division ratio, 2^{14} to 2^0 , required for a desired conversion frequency, can be calculated from the following formula:

$$\text{Desired conversion frequency} = \Delta f_{\text{step}} \times (2^{14} + 2^{13} + 2^{12} \rightarrow 2^2 + 2^1 + 2^0)$$

where: $\Delta f_{\text{step}} = F_{\text{comp}}$

3.4.4 RF Gain (RFG Bit)

The RF gain is programmed by setting the **RFG** bit, bit-5 of register byte-4 as required. See also Figure 4, "AGC Control Structure" on page 13.

RFG	Gain Adjust (dB)
0	0
1	+4

(reset state)

Table 8 - RFG Register Bit Function

3.4.5 Baseband Pre-Filter Gain Adjust (BA1:0 Bits)

The baseband pre-filter gain is programmed by setting **BA1:0**, bits-4 & 3 of register byte-4 as required. See also Figure 4, "AGC Control Structure" on page 13.

BA1	BA0	Pre-Filter Gain Adjust (dB)
0	0	0.0
0	1	+4.2
1	0	+8.4
1	1	+12.6

(reset state)

Table 9 - BA1/0 Register Bits Function

3.4.6 Baseband Post-Filter Gain (BG1:0 Bits)

The baseband post-filter gain is programmed by setting **BG1:0**, bits-2 & 1 of register byte-4 as required. See also Figure 4, "AGC Control Structure" on page 13.

BG1	BG0	Post-Filter Gain Adjust (dB)
0	0	0.0
0	1	+4.2
1	0	+8.4
1	1	+12.6

(reset state)

Table 10 - BG1/0 Register Bits Function

3.4.7 RF Bypass Disable (LEN Bit)

The RF bypass function is disabled by setting **LEN**, bit-0 of register byte-4 to a logic '1'. By default, this bit is at a logic '0' at power-up, and therefore the function is enabled. If the function is not required, a power saving of approximately 15% can be made by setting this bit. See also section 2.3 on page 16.

3.4.8 Output Port Controls (P1 & P0 Bits)

Register bits **P1** and **P0**, bit-7 in register bytes-7 & 5 respectively, control the output port pins, P1 & P0, pin numbers 39 & 24 respectively.

Bit P1 or P0	Port State	Logic State (if connected to a pull-up)
0	High impedance	1
1	Low impedance to Vee (Gnd)	0

(reset state)

Table 11 - Port Control Bits

3.4.9 Power Down (PD Bit)

Bit-7 of byte-13 controls the **PD** register bit which is an alternative to the SLEEP pin (see "SLEEP - Pin 11" on page 19). Setting the **PD** bit to a logic '1' shuts down the analogue sections of the ZL10036 effecting a saving of about two thirds of the power required for normal operation. A logic '0' restores normal operation. With either hardware or software power-down, all register settings are unaffected.

3.4.10 Logic Reset (CLR Bit)

Bit-1 of byte-13 controls the **CLR** register bit. When set to a logic '1', this self-clearing bit resets the ZL10036 control logic. Writing a logic '0' has no effect. The following register numbers are reset to their power-on state: 7, 9, 10, 11, 12 & 13. All other register's contents are unaffected.

3.4.11 Charge Pump Current (C1 & C0 Bits)

Register bits **C1** and **C0** are programmed by setting bits-6 & 5 of register byte-5. These bits determine the charge pump current that is used on the output of the frequency synthesizer phase detector.

C1	C0	Current in μA		
		Min.	Typ.	Max.
0	0	± 160	± 210	± 290
0	1	± 280	± 365	± 510
1	0	± 470	± 625	± 860
1	1	Not allowed		

(reset state)

Table 12 - Charge Pump Currents

3.4.12 Reference Division Ratios (R4:0 Bits)

Register bits **R4:0** control the reference divider ratios as shown in Table 13. They are programmed through bit-4 to bit-0 respectively, in byte-5.

			R4	0	0	1	1
			R3	0	1	0	1
R2	R1	R0	Division Ratios				
0	0	0	2	<i>Illegal states</i>			
0	0	1	4	5	6	7	
0	1	0	8	10	12	14	
0	1	1	16	20	24	28	
1	0	0	32	40	48	56	
1	0	1	64	80	96	112	
1	1	0	128	160	192	224	
1	1	1	256	320	384	448	

Table 13 - Division Ratios Set with Bits R4 - R0

3.4.13 Baseband Filter Resistor Switching (RSD)

The baseband filters use a resistor switching technique that improves bandwidth and phase matching between the I and Q channels. The bandwidth range is effectively separated into 3 sub-ranges with different resistor values being used in each sub-range. It is possible for the filter bandwidth accuracy to be degraded if the bandwidth setting happens to coincide with one of the two transition points between these regions. This can be overcome by disabling the resistor switching using the **RSD** bit. For optimum filter performance the **RSD** bit should first be enabled so that the correct resistor value is automatically set for the selected bandwidth.

The **RSD** bit (bit-3 of byte-6) controls the resistor switching. With the default setting of logic '0' it is enabled and the correct resistor value automatically chosen. With the **RSD** bit set to a logic '1' then the switching is disabled and this freezes the resistors at their chosen value. The procedure when selecting a new bandwidth setting is to enable then disable the switching; set **RSD** to logic '0' then to logic '1'.

3.4.14 Baseband Filter Bandwidth (BF6:1 & BR4:0 Bits)

Bits 6 to 1 of byte-7 configure bits **BF6** to **BF1** respectively. These bits set a decimal number in the range 0 to 62 (63 is not allowed) to determine the baseband filter bandwidth in conjunction with other values.

Bits 6 to 2 of byte-13 configure bits **BR4** to **BR0** respectively. These bits set the reference divider ratio for the baseband filter. A number in the range 4 to 27 inclusive (values outside this range are not allowed) can be set, with the proviso that the value of $f_{xtal}/BR4:0$ must also be in the range 575 kHz to 2,500 kHz.

For further details, please also see 2.4, "Baseband Filter" on page 17 and "Symbol Rate and Filter Calculations" (sect. 4.3) on page 26.

3.4.15 LO Test (TL Bit)

For test purposes, the LO clock divided by the prescaler ratio can be output on the LOTEST pin by setting bit **TL** (byte-13 bit-0) to a logic '1'. By default this output is off, i.e., the **TL** bit is at logic '0'.

4.0 Software

In normal operation, only initialization, channel (frequency) changes and symbol rates require programming intervention. Note that the PLL comparison frequency is set by the crystal frequency divided by the PLL reference divide ratio. In the following examples of register settings, binary values are frequently used, indicated as e.g., 0110_2 .

4.1 Power-on Software Initialization

- a. **Bytes 2 + 3:** $2^{14} - 2^0 =$ desired channel frequency/PLL comparison frequency.
- b. **Byte 4:** BA1:0 = 01_2 for initial baseband filter input level.
- c. **Byte 4:** BG1:0 = 01_2 for target baseband filter output level.
- d. **Byte 4:** LEN = 1 if the RF loop through is to be disabled.
- e. **Byte 5:** R4:0 = PLL reference divider for desired comparison frequency.
- f. **Bytes 8 - 10:** should be set to the following values: 0xD3, 0x40 & 0xE3 respectively.
- g. **Byte 11:** this should be written twice with the following values: 0x5B & 0xF9. The order in which these values are written is not important.
- h. **Byte 13:** BR4:0 = Crystal frequency in use (see also 4.3.3.1 on page 27).

4.2 Changing Channel

Bytes 2 + 3: $2^{14} - 2^0 =$ Channel frequency/PLL comparison frequency.

4.3 Symbol Rate and Filter Calculations

4.3.1 Determining the Filter Bandwidth from the Symbol Rate

$$f_{bw} = (\alpha * \text{symbol rate}) / (2.0 * 0.8) + f_{offs}$$

where:

$\alpha = 1.35$ for DVB or 1.20 for DSS, and is the roll-off of the raised-root cosine filter in the transmitter,

f_{offs} is the total offset of the received signal due to all causes (LNB drift, synthesizer step size, etc) and is read back from the demodulator (ZL10036),

and f_{bw} is the -3 dB roll-off of the filter for: $8 \text{ MHz} \leq f_{bw} \leq 35 \text{ MHz}$.

For low symbol rates, the energy content within the bandwidth of the filters reduces significantly so incrementing the baseband post-filter gain helps recover the signal level for the demodulator.

N.B. During channel acquisition or re-acquisition, the filter must be set to its maximum value.

4.3.2 Calculating the Filter Bandwidth

The -3 dB bandwidth of the filter (Hz) is given by the following expression:

$$\text{Equation 1 - } f_{bw} = \frac{f_{xtal}}{BR} \times (BF + 1) \times \frac{1}{K}$$

Where:

f_{bw} = Baseband filter –3 dB bandwidth (Hz) which should be within the range $8\text{MHz} \leq f_{bw} \leq 35\text{MHz}$.

f_{xtal} = Crystal oscillator reference frequency (Hz).

$K = 1.257$ (constant).

BF = Decimal value of the register bits BF6:BF1, range 0 - 62.

BR = Decimal value of the bits BR4:BR0 (baseband filter reference divider ratio), range 4 - 27.

where: $575\text{ kHz} \leq \frac{f_{xtal}}{BR} \leq 2.5\text{ MHz}$.

The digital nature of the control loop means that the filter bandwidth setting is quantized: the difference between the desired filter bandwidth and the actual filter bandwidth possible due to discrete settings causes a bandwidth error. In order to minimize this bandwidth error, the maximum filter bandwidth setting resolution is needed. From the limits given above, the best resolution possible is $575\text{ kHz}/1.257 = 457.4\text{ kHz}$. However if this resolution is used, the maximum bandwidth with $BF = 62$ is only 28.82 MHz, below the maximum of 35 MHz. Therefore for filter bandwidths greater than 28.82 MHz the resolution must be decreased. For filter bandwidths around 35 MHz the resolution is typically reduced to $698\text{ kHz}/1.257 = 555.3\text{ kHz}$.

4.3.3 Determining the Values of BF and BR

4.3.3.1 Calculating the Value of BR

The above description can be described mathematically as:

For $f_{bw} \leq 28.82\text{MHz}$,

$$\text{Equation 2 - } BR = \frac{f_{xtal}}{575\text{kHz}} .$$

For $f_{bw} > 28.82\text{MHz}$,

$$\text{Equation 3 - } BR = \frac{f_{xtal}}{f_{bw}} \times (62 + 1) \times \frac{1}{K} .$$

These equations can give non-integer results so rounding must be performed. The values for BR should be rounded DOWN to the nearest integer this ensures that $\frac{f_{xtal}}{BR}$ will not be below 575 kHz and that the maximum programmable bandwidth will not be below the desired bandwidth due to rounding.

4.3.3.2 Calculating the Value of BF

$$\text{Equation 4 - } BF = \left(\frac{f_{bw}}{f_{xtal}} \times BR \times K \right) - 1 :$$

For non-integer values of BF, the result should be simply rounded to the nearest integer to give the value for BF6:1.

4.3.4 Filter Bandwidth Programming Examples

Example 1, conditions: $f_{xtal} = 10.111\text{MHz}$, $f_{bw} = 9\text{MHz}$

Because f_{bw} is below 28.2MHz, the value of BR can be evaluated with equation 2:

$$BR = \frac{f_{xtal}}{575\text{kHz}} = \frac{10.111\text{MHz}}{575\text{kHz}} = 17.583$$

This result should be rounded down to 17 to ensure that the result is not below the 575 kHz limit. Using this value for BR, equation 4 can be evaluated:

$$BF = \left(\frac{f_{bw}}{f_{xtal}} \times BR \times K \right) - 1 = \left(\frac{9\text{MHz}}{10.111\text{MHz}} \times 17 \times 1.257 \right) - 1 = 18.02285$$

The result can be rounded to the nearest value, i.e., $BF = 18$.

Example 2, conditions: $f_{xtal} = 10.111\text{MHz}$, $f_{bw} = 34.6\text{MHz}$

In this case, f_{bw} is above 28.2MHz so using equation 3 to solve for BR:

$$BR = \frac{f_{xtal}}{f_{bw}} \times (63) \times \frac{1}{K} = \frac{10.111\text{MHz}}{34.6\text{MHz}} \times (63) \times \frac{1}{1.257} = 14.647$$

Using equation 4, this time with the rounded-down value of 14 for BR:

$$BF = \left(\frac{f_{bw}}{f_{xtal}} \times BR \times K \right) - 1 = \left(\frac{34.6\text{MHz}}{10.111\text{MHz}} \times 14 \times 1.257 \right) - 1 = 59.227$$

Rounding to the nearest integer thus gives a value of 59 for BF.

4.4 Programming Sequence for Filter Bandwidth Changes

- a. **Byte 6:** Set RSD = 0 to re-enable baseband filter resistor switching.
- b. **Byte 7:** Set BF6:1 to the value derived in 4.3.3.2, "Calculating the Value of BF" on page 27.
- c. **Byte 6:** Set RSD = 1 to disable baseband filter resistor switching. This must happen no sooner than a certain time after (b.). This minimum time equals $BR/(32 * f_{xtal})$ seconds, where BR is the decimal value of byte BR and f_{xtal} is the reference crystal frequency.

5.0 Application Notes

5.1 Thermal Considerations

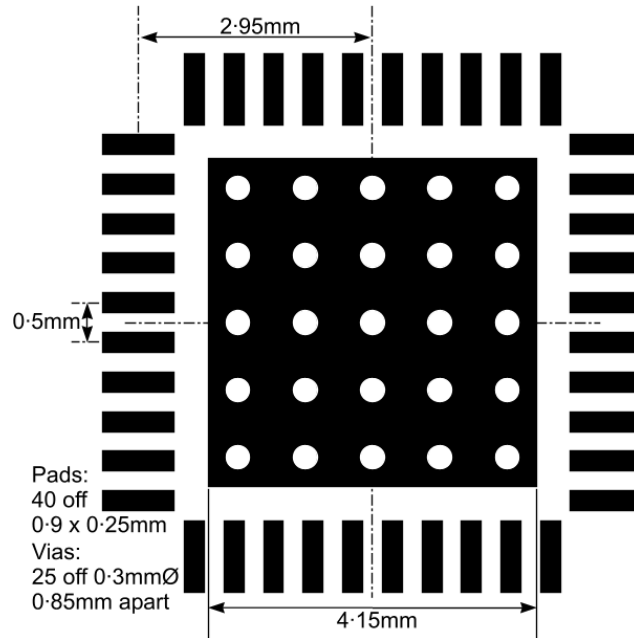


Figure 12 - Copper Dimensions for Optimum Heat Transfer

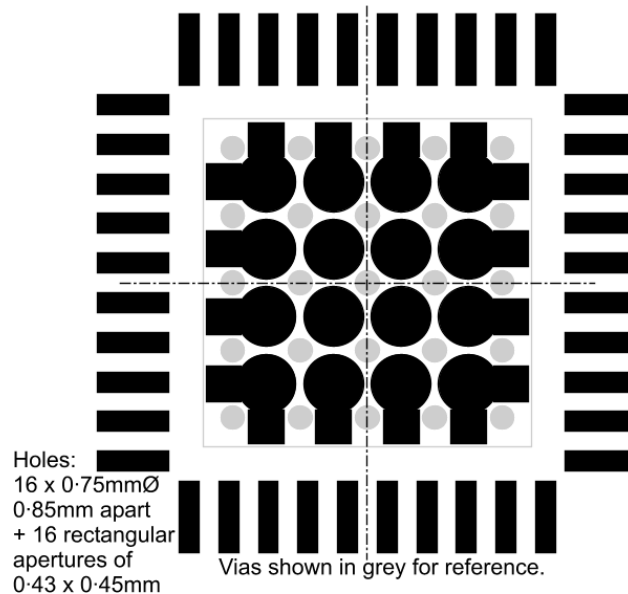


Figure 13 - Paste Mask for Reduced Paste Coverage

The ZL10036 uses the 40-pin QFN package with a thermal ‘paddle’ in the base, which has a very high thermal conductivity to the die, as well as low electrical resistance to the Vee connections. The ZL10036 has a fairly high power density, and if the excess heat is not efficiently removed, it will rapidly overheat beyond the 125°C limit, and affect the performance or could even cause permanent damage to the device.

The paddle is designed to be soldered to a size-matched pad on the PCB (see Figure 13 on page 29) which is thermally connected to an efficient heat sink. The heat sink can be as simple as an area of copper ground plane on

the underside of the board, thereby reducing the system cost. To transfer the heat from the paddle to the underside of the board, an array of 25 x 0.3 mmØ vias are used between the topside pad, which will be soldered to the paddle, and the ground plane on the underside of the board. It is also possible to use a smaller number of larger vias, e.g. 16 x 0.5 mmØ, but this arrangement is marginally less efficient.

The area of copper in the ground plane must be at least 2,000 mm² for 1 oz copper. If 2 oz copper board is used or if multiple ground planes are available, as with a four-layer board, the area could be reduced somewhat, but in general it is better to have the maximum cooling possible, as reliability will always be enhanced if lower temperatures are maintained.

While it is possible to use a paste mask that simply duplicates the aperture for the 4.15 mm sq. paddle, the quantity of solder paste under the device can cause problems and it is preferable to reduce the coverage to a level between 50% and 80% of the area. The pattern shown in Figure 14 on page 30 reduces the coverage to approximately 60%, which should reduce out-gassing from under the device and improve the stand-off height of the package from the board.

A very useful publication giving further details is: "Application Notes for Surface Mount Assembly of Amkorps MicroLeadFrame (MLF) Packages" which can be found on: www.amkor.com

5.2 Crystal Oscillator Notes

Component	4 MHz	10.111 MHz
C10	47 pF	100 pF
C11	47 pF	100 pF
C12*	10 pF	15 pF

* C12 may be replaced by a link to GND if crystal output is not required.

Table 14 - Crystal Capacitor Values for 4 MHz and 10.111 MHz Operation

(component numbering refers to the example schematic, Figure 2 on page 2)

The 10.111 MHz frequency recommended for the crystal, is chosen such that when used with the Zarlink ZL10312 demodulator, the system frequency is 91 MHz = 9 * 10.111 MHz (91 MHz > 2 * 45 Ms/s).

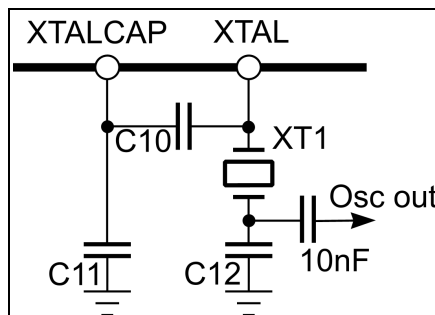


Figure 14 - Typical Oscillator Arrangement with Optional Output

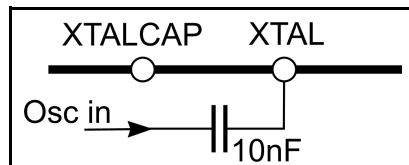


Figure 15 - Typical Arrangement for External Oscillator

6.0 Electrical characteristics

6.1 Test Conditions

The following conditions apply to all figures in this chapter, except where notes indicate other settings.

Tamb = -10° to 85°C, Vee= 0 V, All Vcc supplies = 5 V±5%

RF gain adjust = +0 dB, prefilter = +4.2 dB and postfilter = 4.2 dB. RFG=0, BA1=0, BA0=1, BG1=0, BG0=1

These characteristics are guaranteed by either production test or design. They apply within the specified ambient temperature and supply voltage unless otherwise stated.

6.2 Absolute Maximum Ratings

Parameter	Symbol	Min.	Max.	Unit	Notes
Supply voltage	VccBB, VccDIG, VccLO, VccRF, VccTUNE	-0.3	5.5	V	w.r.t. Vee
Storage temperature	T _{STG}	-55	150	°C	
Junction temperature	T _j		125	°C	
Voltage on SDA & SCL		-0.3	6	V	Vcc = Vee to 5.25 V
Voltage on DRIVE		-0.3	VccTUNE+0.3	V	
Voltage on RFIN, RFBYPASS and inverted equivalents		-0.3	VccRF+0.3	V	
Voltage on RFAGC					
Voltage on Vvar		-0.3	VccLO+0.3	V	
Voltage on LOTEST					
Voltage on IOOUT, QOUT, IDC, QDC and inverted equivalents		-0.3	VccBB+0.3	V	
Voltage on P1					
Voltage at DIGDEC		-0.3	3.6	V	
Voltage on PUMP					
Voltage on SLEEP and P0		-0.3	VccDIG+0.3	V	
Voltage on ADD, XTAL, XTALCAP and LOCK		-0.3	DIGDEC+0.3	V	
Sink current, P0 or P1			20	mA	Each output
ESD protection, pins 31 & 32 ¹		0.5		kV	To Mil-std 883B method 3015 cat1
pins 1-30, 33-40		2.0		kV	

1. ESD protection can be increased by adding a protection diode (D1) to the input circuit as shown in the application circuit (Figure 2).

6.3 Recommended Operating Conditions

Parameter	Symbol	Min.	Max.	Unit	Notes
Supply voltage	V _{CCBB} , V _{CCDIG} , V _{CCLO} , V _{CCRF} , V _{CCTUNE}	4.75	5.25	V	w.r.t. V _{ee}
Operating temperature	T _{OP}	-10	85	°C	

6.4 DC Characteristics

Pins	Characteristic	Min.	Typ.	Max.	Units	Conditions	
Normal operating conditions							
All V _{CC} pins: 5, 6, 18, 19, 26, 29, 36, 37	Supply current					RF bypass	filter b.w.
			210	259	mA	disabled	minimum
			228	281	mA		maximum
			243	300	mA	enabled	minimum
			261	322	mA		maximum
			82	107	mA	disabled	sleep mode
			115		mA	enabled	
Q _{OUT} , Q _{OUT} , I _{OUT} , I _{OUT} : 3, 4, 7, 8	Output impedance		25		Ω	Single-ended	
	Output load	1		15	kΩ pF	Maximum load, which can be applied to output, single-ended. If operated single ended unused output should be unloaded	
Q _{DC} , Q _{DC} , I _{DC} , I _{DC} : 1, 2, 9, 10	Bias voltage		3.8		V		
	Output impedance		11		kΩ		
SCL, SDA: 12, 13	Input high voltage	2.3		5.5	V		
	Input low voltage	0		1	V		
	Input current	-10		10	μA	Input voltage = V _{ee} to V _{CCDIG}	
	Leakage current			10	μA	Input voltage = V _{ee} to 5.5 V, V _{CCDIG} =V _{ee}	
	Hysteresis		0.4		V		
SDA: 13	Output voltage			0.4	V	I _{sink} = 3 mA	
				0.6	V	I _{sink} = 6 mA	
PUMP: 21	Charge pump leakage		+3	+20	nA	V _{pin} = 1.8 V	
	Charge pump current					V _{pin} = 1.8 V. See Table 12 on page 24	

Pins	Characteristic	Min.	Typ.	Max.	Units	Conditions	
DRIVE: 20	Max. voltage	VccTUNE-0.2			V	On-chip 3 kohm load resistor to VccTUNE	
	Min. voltage			0.3	V		
XTAL, XTALCAP: 14, 15	Recommended crystal E.S.R.	10		200	Ω	Parallel resonant crystal	
Vvar: 23	Input current	-1		1	mA	Vee <= Vvar <= 1.7 V (on-chip varactors forward biased)	
		-25		25	μ A	1.7 V <= Vvar <= Vcc	
P0, P1: 24, 39	Sink current	10			mA	At Vport = 0.7 V	
	Leakage current			10	μ A	Vport = Vcc	
LOCK: 25	Low output voltage			0.5	V	Out of lock	at 1 mA
	High output voltage	DigDec-0.5			V	In lock	
	Load current			1	mA		
ADD: 16	Input high current			1	mA	Vin = DIGDEC	
	Input low current			-0.5	mA	Vin = Vee	
SLEEP: 11	Input high voltage	2		3.6	V	Sleep enabled	
	Input low voltage	Vee		0.5	V	Normal mode	
	Input DC current			10	μ A	Vin = Vee to DIGDEC	
RFAGC: 34	Leakage current	-150		150	μ A	Vee <= Vagc <= Vcc	
LOTEST: 38	Output impedance		100		Ω		
	Bias voltage		3.3		V		

6.5 AC Characteristics

Characteristic	Min.	Typ.	Max.	Units	Conditions
System (See ¹)					
Noise figure, DSB		9		dB	At -70 dBm operating level ²
		12		dB	At -60 dBm operating level ²
		10		dB	At -70 dBm operating level
		13		dB	At -60 dBm operating level
Variation in NF with RF gain adjust			-1	dB/dB	Above -60 dBm operating level ² See Figure 8 on page 15
Conversion gain					
Maximum	72	78		dB	Vagc = 0.75 V
Minimum		6	10	dB	Vagc = 4.25 V
AGC control range	68	72		dB	AGC monotonic, Vagc from Vee to Vcc

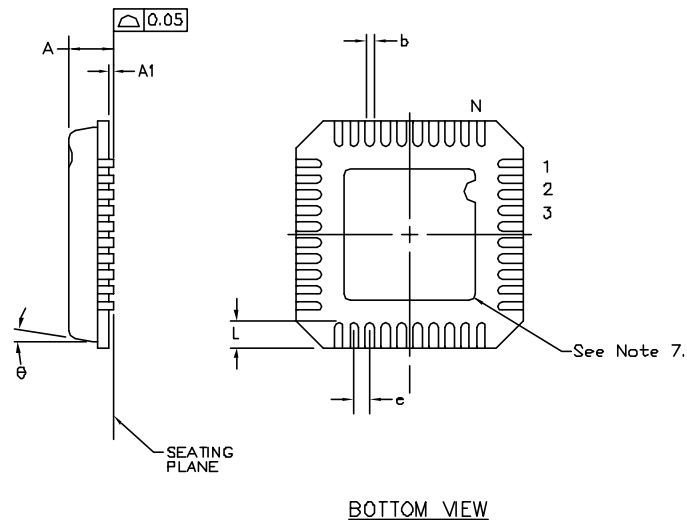
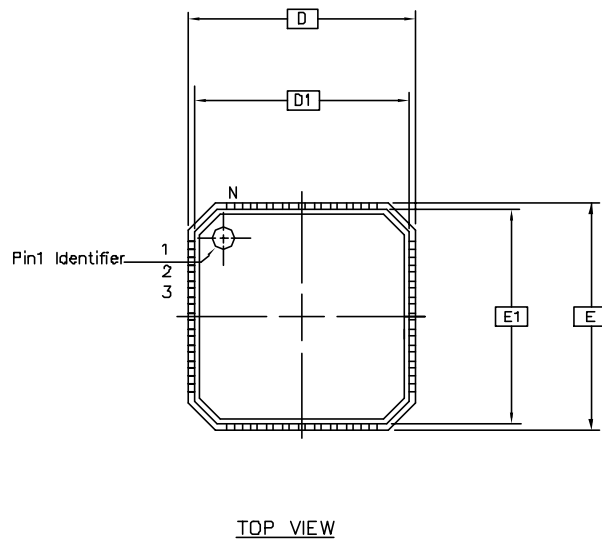
Characteristic	Min.	Typ.	Max.	Units	Conditions
System IM2			-35 -40	dBc dBc	See ³ See ⁴
System IM3			-15	dBc	See ⁵
Variation in system second order intermodulation intercept			-1	dB/dB	See Figure on page 14 and ⁶
Variation in system third order intermodulation intercept			-1	dB/dB	See Figure 7 on page 14 and ⁷
Input compression	-10	-6		dBm	See ⁸
LO second harmonic interference level		-50	-35	dBc	See ⁹ , all gain settings
LNA second harmonic interference level		-35	-20	dBc	See ¹⁰
Quadrature gain match	-1		1	dB	Filter bandwidth settings 8-35 MHz, up to 0.8 x filter -3 dB bandwidth
Quadrature phase match		±3		deg	
I & Q channel in band ripple			1	dB	
Synthesizer and other spurious on I & Q outputs			-30	dBc	All gain settings below 68 dB
			-25	dBc	At maximum gain. Linearly interpolated between max. and 68 dB gain, see ¹¹
LO reference sideband spur level on I & Q outputs			-40	dBc	Synthesizer phase detector comparison frequency 500-2000 kHz
In band LO leakage to RF input			-65	dBm	Within RF band 950-2150 MHz
			-55	dBm	Within RF band 30-950 MHz
RF bypass					
Gain	1.5		5.5	dB	
NF		10	13	dB	
OPIP3		9		dBm	See ¹²
OPIP2	26			dBm	See ¹³
Output return loss	9			dB	$Z_0 = 75 \Omega$. See Figure 9 on page 16, with output matching as in Figure 2 on page 2. Bypass enabled or disabled.
Forward isolation		25		dB	950-2150 MHz Single-ended to single-ended, bypass disabled
Reverse isolation		25		dB	
In band LO leakage			-65	dBm	
Converter					
Converter Input return loss (pins RFIN & RFIN)	8	10		dB	$Z_0 = 75 \Omega$. See Figure 9 on page 16. With input matching as in Figure 2 on page 2. Bypass enabled or disabled.

Characteristic	Min.	Typ.	Max.	Units	Conditions	
LO SSB phase noise			-76 -96	dBc/Hz dBc/Hz	@ 10 kHz offset @ 100 kHz offset	Measured either, at baseband output of 10 MHz, PLL loop bandwidth circa 100 Hz, or at LOTEST output. $V_{var} > 3 V$
			-110 -132	dBc/Hz dBc/Hz	@ 1 MHz offset Noise floor. ¹⁴	Measured at LOTEST output.
LO integrated phase jitter			3	deg	See Figure 11 on page 18 and ¹⁵	
LOTEST output amplitude		200		mVp-p	Test output enabled into 50 Ω	
Baseband Filters (specifications apply with both single-ended and differential load unless otherwise stated)						
Bandwidth	4		40	MHz	See 2.4, "Baseband Filter" on page 17. Maximum load as specified	
Bandwidth absolute tolerance	-5		+5	%	Filter bandwidth setting, fset, 8-35 MHz. Slave oscillator enabled, see ¹⁶	
Channel bandwidth match	-1		+1	%	Filter bandwidth settings 8-35 MHz	
Characteristic response					All bandwidth settings, see Figure 10 on page 17.	
Channel gain match					Included in system gain match	
Channel phase match						
Output total harmonic distortion			-26	dBc	At 0.8 V p-p, single-ended. Maximum load as specified	
Output limiting	1.0			Vp-p	Level at hard clipping, single-ended. Maximum load as specified	
Synthesizer						
Crystal frequency	4		20	MHz	See Table 14 on page 30.	
External reference input frequency	4		20	MHz	Sinewave coupled through 10nF blocking capacitor to pin XTAL. XTALCAP is left open.	
External reference drive level	0.2		0.5	Vp-p		
Phase detector comparison frequency	31.25		2000	kHz		
Equivalent phase noise at phase detector		-148		dBc/Hz	SSB, within loop bandwidth. Phase detector comparison frequency = 1 MHz	
LO division ratio	240		32767			
Maximum SCL clock rate	100			kHz		

1. All power levels are referred to 75 Ω and assume an ideal impedance match: 0 dBm = 109 dBmV. System specifications refer to total cascaded system of converter/AGC stage and baseband amplifier/filter stage with maximum terminating load as specified in "DC Characteristics" on page 32, with output amplitude of 0.5 Vp-p differential.

2. See Figure 8, RF gain adjust = +4 dB, prefilter = +4.2 dB and postfilter = 0 dB, RFG = 1, BA1 = 0, BA0 = 1, BG1 = 0, BG0 = 0

3. 'Baseband defined IM2'. AGC set to deliver an output of 0.5 Vp-p with an input CW @ frequency f_c of -25 dBm. Two undesired tones at f_c+146 and f_c+155 MHz @ -11 dBm generating output intermodulation spur at 9 MHz. Baseband filter at 22 MHz bandwidth setting.
4. 'Front end defined IM2'. LO set to 2145 MHz and AGC set to deliver a 5 MHz output of 0.5 Vp-p with a desired input CW @ frequency 2150 MHz of -45 dBm. Sum IM2 product from two undesired tones at 1.05 and 1.1 GHz at -25 dBm converted to 5 MHz baseband with desired input removed. Baseband filter at 22 MHz bandwidth setting.
5. 'IM3'. AGC set to deliver an output of 0.5 Vp-p with an input CW @ frequency f_c of -30 dBm. Two undesired tones at f_c+55 and f_c+105 MHz at -11 dBm generating output intermodulation spur at 5 MHz. Baseband filter at 22 MHz bandwidth setting.
6. 'Front end defined' variation in IP2 from two undesired tones at 1.05 and 1.1 GHz at 20 dBc relative to desired at 2.15 GHz converted to 5 MHz baseband with LO tuned to 2.145 GHz with AGC set to deliver 0.5 Vp-p differential on desired, as desired amplitude is varied from -45 dBm to -75 dBm.
7. Variation in IP3 product from two undesired tones at f_c+55 and f_c+105 MHz at 19 dBc relative to desired at f_c converted to 5 MHz baseband with LO tuned to desired at f_c GHz with AGC set to deliver 0.5 Vp-p differential on desired, as desired amplitude is varied from -30 dBm to -75 dBm.
8. AGC set to deliver an output of 0.5 Vp-p with an input CW @ frequency f_c of -35 dBm. Input compression defined as the level of interferer at 100 MHz offset, which leads to a 1 dB compression in gain.
9. The level of 2.01 GHz down converted to baseband relative to 1.01 GHz with the oscillator tuned to 1 GHz, measured with no input pre-filtering.
10. The level of second harmonic of 1.01 GHz input at -20 dBm down converted to baseband relative to 2.01 GHz at -35 dBm with the oscillator tuned to 2 GHz, measured with no input pre-filtering gain set to deliver 0.5 Vp-p on 2.01 GHz CW signal. RF gain adjust = +4 dB, prefilter = +4.2 dB and postfilter = 0dB RFG = 1, BA1 = 0, BA0 = 1, BG1 = 0, BG0 = 0
11. Within 0-100 MHz band, RF input set to deliver 0.5 Vp-p on output. RF gain adjust = +4 dB, prefilter = +4.2 dB and postfilter = 0 dB RFG = 1, BA1 = 0, BA0 = 1, BG1 = 0, BG0 = 0
12. Two input tones at f_c+50 and f_c+100 MHz at -9 dBm generating output intermodulation spur at f_c .
13. Sum IM2 product from two input tones at 1.05 and 1.1 GHz at -9 dBm converted to 2150 MHz.
14. Measured at baseband output frequency of 10 MHz, PLL loop bandwidth circa 100 Hz. See also Figure 11 on page 18.
15. Integrated rms LO jitter measured from 10 kHz to 15 MHz, PLL loop bandwidth circa 2 kHz.
16. RSD = 0 for 8 MHz \leq fset \leq 20 MHz, RSD = 1 for 20 MHz \leq fset \leq 35 MHz



SYMBOL	COMMON DIMENSIONS	
	MIN.	MAX.
A	-	0.90
A1	0.00	0.05
b	0.18	0.30
D	6.00 BSC	
D1	5.75 BSC	
E	6.00 BSC	
E1	5.75 BSC	
N	40	
Nd	10	
Ne	10	
$\text{\textcircled{e}}$	0.50 BSC	
L	0.30	0.50
θ	0°	12°

- NOTES:
1. DIMENSIONING & TOLERANCES CONFORM TO ASME Y14.5M. - 1994.
 2. N IS THE NUMBER OF TERMINALS.
Nd & Ne ARE THE NUMBER OF TERMINALS IN X & Y DIRECTION RESPECTIVELY.
 3. DIMENSION b APPLIES TO PLATED TERMINAL AND IS MEASURED BETWEEN 0.20 AND 0.25mm FROM TERMINAL.
 4. ALL DIMENSIONS ARE IN MILLIMETERS.
 5. PACKAGE WARPAGE MAX 0.05mm.
 6. NOT TO SCALE.
 7. DIMENSION OF THE EXPOSED METAL PAD MAY BE UPTO 0.20MM SMALLER THAN THE NOMINAL DIE PAD DIMENSION
- SEE LEADFRAME DRAWING FOR SPECIFIC PADDLE DIMENSION.

© Zarlink Semiconductor 2004 All rights reserved.

ISSUE	1	2		
ACN				
DATE	17Feb04	20Feb04		
APPRD.				



Previous package codes

LH

Package Code LD

Package Outline for Stamped
40 Lead QFN (6x6mm)

103564



**For more information about all Zarlink products
visit our Web Site at
www.zarlink.com**

Information relating to products and services furnished herein by Zarlink Semiconductor Inc. or its subsidiaries (collectively "Zarlink") is believed to be reliable. However, Zarlink assumes no liability for errors that may appear in this publication, or for liability otherwise arising from the application or use of any such information, product or service or for any infringement of patents or other intellectual property rights owned by third parties which may result from such application or use. Neither the supply of such information or purchase of product or service conveys any license, either express or implied, under patents or other intellectual property rights owned by Zarlink or licensed from third parties by Zarlink, whatsoever. Purchasers of products are also hereby notified that the use of product in certain ways or in combination with Zarlink, or non-Zarlink furnished goods or services may infringe patents or other intellectual property rights owned by Zarlink.

This publication is issued to provide information only and (unless agreed by Zarlink in writing) may not be used, applied or reproduced for any purpose nor form part of any order or contract nor to be regarded as a representation relating to the products or services concerned. The products, their specifications, services and other information appearing in this publication are subject to change by Zarlink without notice. No warranty or guarantee express or implied is made regarding the capability, performance or suitability of any product or service. Information concerning possible methods of use is provided as a guide only and does not constitute any guarantee that such methods of use will be satisfactory in a specific piece of equipment. It is the user's responsibility to fully determine the performance and suitability of any equipment using such information and to ensure that any publication or data used is up to date and has not been superseded. Manufacturing does not necessarily include testing of all functions or parameters. These products are not suitable for use in any medical products whose failure to perform may result in significant injury or death to the user. All products and materials are sold and services provided subject to Zarlink's conditions of sale which are available on request.

Purchase of Zarlink's I²C components conveys a licence under the Philips I²C Patent rights to use these components in and I²C System, provided that the system conforms to the I²C Standard Specification as defined by Philips.

Zarlink, ZL and the Zarlink Semiconductor logo are trademarks of Zarlink Semiconductor Inc.

Copyright Zarlink Semiconductor Inc. All Rights Reserved.

TECHNICAL DOCUMENTATION - NOT FOR RESALE
