

E-Series 2-Way 0° Power Divider

5 - 500 MHz

ESML-2-1

V3.00

Features

- 2 Way
- 0°
- Surface Mount

Specifications @ 25°C

Frequency Range	5 - 500 MHz		
Insertion Loss	Typical	Maximum	
	5 - 500 MHz	0.25 dB	0.5 dB
	50 - 250 MHz	0.3 dB	0.6 dB
	250 - 500 MHz	0.5 dB	1.0 dB
Isolation	Typical	Minimum	
	5 - 500 MHz	50 dB	25 dB
	50 - 250 MHz	33 dB	24 dB
	250 - 500 MHz	30 dB	23 dB
Amplitude Unbalance	Maximum		
	5 - 500 MHz	0.15 dB	
	50 - 250 MHz	0.3 dB	
	250 - 500 MHz	0.6 dB	
Phase Unbalance	Maximum		
	5 - 500 MHz	1°	
	50 - 250 MHz	2°	
	250 - 500 MHz	5°	

Operating Characteristics

Impedance	50 Ohms Nominal
-----------	-----------------

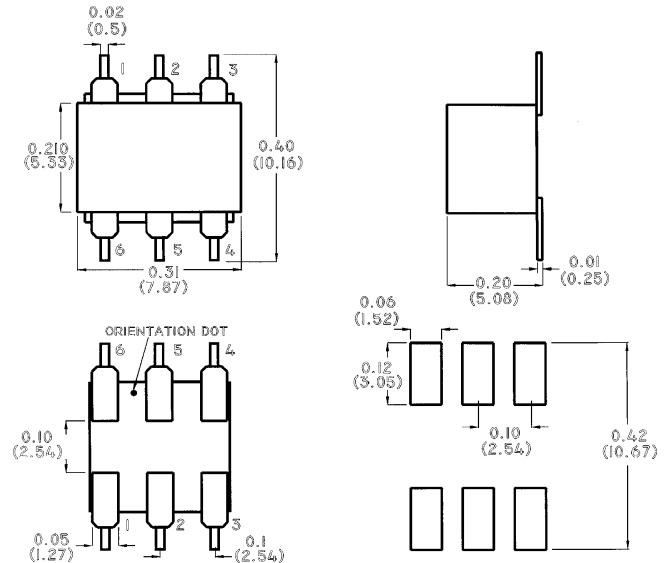
Ordering Information

Part No.	Packaging
ESML-2-1	Tube
ESML-2-1TR	Forward Tape & Reel

Absolute Maximum Ratings

Parameter	Absolute Maximum
Maximum Power Rating	1 Watt
Internal Load Dissipation	0.125 Watt
Storage Temperature	260°C
Pin Temperature (10 seconds)	-55°C to 100°C

SM-24



Dimensions in () are in mm.
 Unless Otherwise Noted: .x = ±0.04 (1.00)
 .xx = ±0.02 (0.50)
 .xxx = ±0.010 (0.250)

Pin Configuration

Function	Pin No.
Not Connected	2,5
Ground	1
Input	6
Port 1	4
Port 2	3

S 0554 C

Specifications Subject to Change Without Notice.

M/A-COM, Inc.

North America: Tel. (800) 366-2266 ■ Asia/Pacific: Tel. +81 (03) 3226-1671 ■ Europe: Tel. +44 (1344) 869 595
 Fax (800) 618-8883 Fax +81 (03) 3226-1451 Fax +44 (1344) 300 020