

NOV 26 1990

Philips Components

Data sheet	
status	Preliminary specification
date of issue	November 1990

# TDA8715

## 8-bit high-speed analog-to-digital converter

### FEATURES

- 8-bit resolution
- Sampling rate up to 50 MHz
- High signal-to-noise ratio over a large analog input frequency range (7.5 effective bits at 4.43 MHz full-scale input at a 40 MHz clock frequency)
- ECL (10KH family) compatible digital inputs and outputs
- Overflow/underflow ECL output
- Low-level AC clock input signal allowed
- Power dissipation only 325 mW (typical)
- Low analog input capacitance, no buffer amplifier required
- No sample and hold circuit required

### APPLICATIONS

- High-speed analog-to-digital conversion for:
  - video data digitizing
  - radar pulse analysis
  - transient signal analysis
  - high energy physics research
  - $\Sigma\Delta$  modulators
  - medical imaging

### DESCRIPTION

The TDA8715 is a monolithic bipolar 8-bit high-speed analog-to-digital converter (ADC) for professional video and other applications. It converts the analog input signal into 8-bit binary-coded digital words at a maximum sampling rate of 50 MHz. All digital inputs and outputs are 10KH ECL compatible.

### ORDERING INFORMATION

EXTENDED TYPE NUMBER	PACKAGE			
	PINS	PIN POSITION	MATERIAL	CODE
TDA8715	18	DIL	plastic	SOT102
TDA8715T	20	SO20	plastic	SOT163A

Philips Components



# PHILIPS

**8-bit high-speed analog-to-digital converter****TDA8715****QUICK REFERENCE DATA**

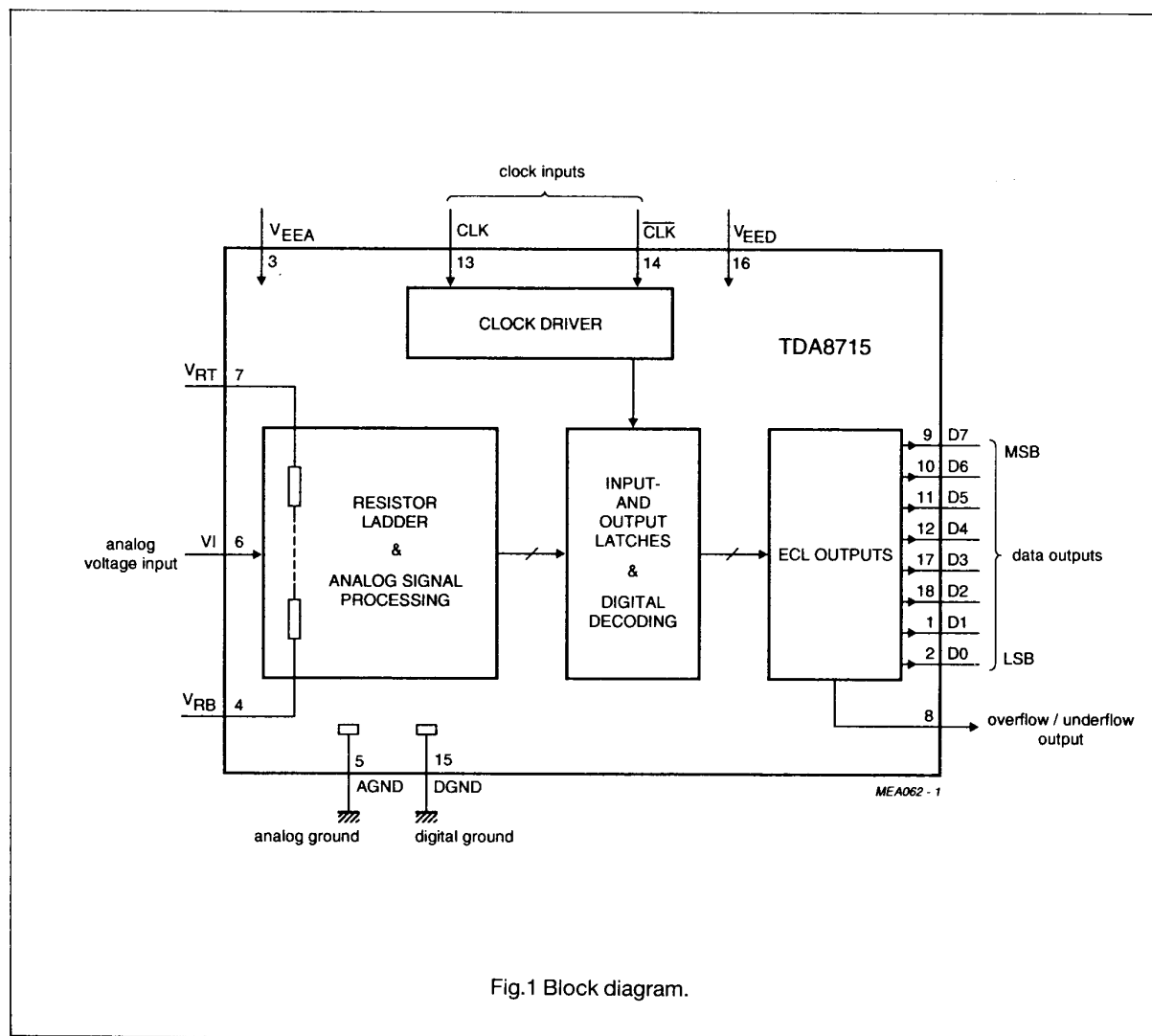
SYMBOL	PARAMETER	CONDITIONS	MIN.	TYP.	MAX.	UNIT
$V_{EEA}$	analog supply voltage		-4.7	-5.2	-5.7	V
$V_{EED}$	digital supply voltage		-4.7	-5.2	-5.7	V
$I_{EEA}$	analog supply current		-	20	25	mA
$I_{EED}$	digital supply current	see note	-	52	60	mA
ILE	DC integral linearity error		-	$\pm 0.4$	$\pm 0.75$	LSB
DLE	DC differential linearity error		-	$\pm 0.25$	$\pm 0.5$	LSB
EB	effective bits ( $f_i = 4.43$ MHz)	$f_{CLK} = 50$ MHz	-	7.2	-	bits
$f_{CLK}/\overline{f_{CLK}}$	maximum clock frequency		50	-	-	MHz
$T_{amb}$	operating ambient temperature range		0	-	+125	$^{\circ}\text{C}$
$P_{tot}$	total power dissipation	see note	-	325	425	mW

**Note to the Quick Reference Data**

All digital outputs connected to  $V_{EED}$  via 2.2 k $\Omega$  resistors.

# 8-bit high-speed analog-to-digital converter

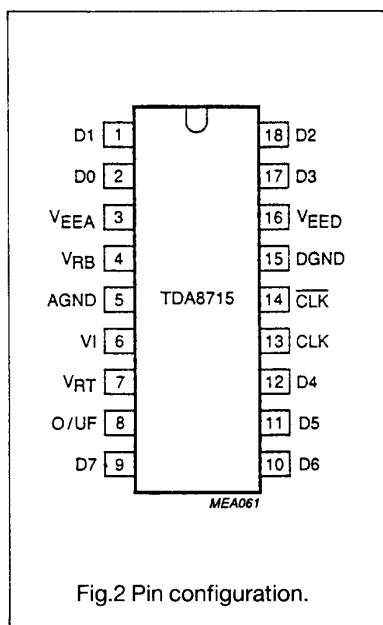
# TDA8715



## 8-bit high-speed analog-to-digital converter

TDA8715

## PIN CONFIGURATION



## PINNING

SYMBOL	PIN	DESCRIPTION
D1	1	data output, bit 1
D0	2	data output, bit 0 (LSB)
VEEA	3	analog negative supply voltage (-5.2 V)
VRB	4	reference voltage bottom input
AGND	5	analog ground
VI	6	analog voltage input
VRT	7	reference voltage top input
O/UF	8	overflow/underflow data output
D7	9	data output, bit 7(MSB)
D6	10	data output, bit 6
D5	11	data output, bit 5
D4	12	data output, bit 4
CLK	13	clock input
CLK	14	complementary clock input
DGND	15	digital ground
VEED	16	digital negative supply voltage (-5.2 V)
D3	17	data output, bit 3
D2	18	data output, bit 2

**8-bit high-speed analog-to-digital converter****TDA8715****LIMITING VALUES**

Limiting values in accordance with the Absolute Maximum System (IEC 134)

SYMBOL	PARAMETER	CONDITIONS	MIN.	MAX.	UNIT
$V_{EEA}$	analog supply voltage range		-7	0.3	V
$V_{EED}$	digital supply voltage range		-7	0.3	V
$V_{VI}$	input voltage range		-7	0.3	V
$V_{CLK}/$ $V_{\overline{CLK}}$	AC input voltage for switching (peak-to-peak value)	see note	-	2.0	V
$I_O$	output current		-15	+10	mA
$T_{stg}$	storage temperature range		-55	+150	°C
$T_{amb}$	operating ambient temperature range		0	70	°C
$T_j$	junction temperature		-	+175	°C

**Note to the Ratings**

The circuit has two clock inputs CLK and  $\overline{CLK}$ . There are two modes of operation:

- Differential drive modes; When driving the CLK input and the  $\overline{CLK}$  input directly with two complementary ECL signals or with two complementary sinewave signals, imposed on a DC level of -1.3 V, sampling takes place on the LOW-to-HIGH transition of the clock signal.
- Asymmetrical drive modes; When driving the CLK input directly with a ECL signal or a sinewave signal imposed on a DC level of -1.3 V, sampling takes place on the LOW-to-HIGH transition of the clock signal.
- When driving the CLK input with a ECL signal only (Asymmetrical drive modes), it is recommended to decouple the  $\overline{CLK}$  input to DGND with a capacitor and connected to  $V_{EED}$  by a 150 k $\Omega$  resistor.

**THERMAL RESISTANCE**

SYMBOL	PACKAGE	TYP.	UNIT
$R_{th\ j-a}$	SOT102	+65	K/W
$R_{th\ j-a}$	SOT163A	0	K/W

**HANDLING**

Inputs and outputs are protected against electrostatic discharges in normal handling. However, to be totally safe, it is desirable to take normal precautions appropriate to handling integrated circuits.

## 8-bit high-speed analog-to-digital converter

TDA8715

## CHARACTERISTICS (see Tables 1 and 2)

$V_{EEA} = V_3 - V_5 = -4.7 \text{ V to } -5.7 \text{ V}$ ;  $V_{EED} = V_{16} - V_{15} = -4.7 \text{ V to } -5.7 \text{ V}$ ; AGND and DGND shorted together;  $T_{\text{amb}} = 0 \text{ }^\circ\text{C}$  to  $70 \text{ }^\circ\text{C}$ ; unless otherwise specified (typical values measured at  $V_{EEA} = -5.2\text{V}$ ;  $V_{EED} = -5.2 \text{ V}$  and  $T_{\text{amb}} = 25 \text{ }^\circ\text{C}$ )

SYMBOL	PARAMETER	CONDITIONS	MIN.	TYP.	MAX.	UNIT
<b>Supplies</b>						
$V_{EEA}$	analog supply voltage		-4.7	-5.2	-5.7	V
$V_{EED}$	digital supply voltage		-4.7	-5.2	-5.7	V
$I_{EEA}$	analog supply current		-	20	25	mA
$I_{EED}$	digital supply current	note 5	-	52	60	mA
$\Delta V_{EE}$	supply voltage difference $V_{EEA} - V_{EED}$		-0.5	0	+0.5	V
<b>Reference voltages for the resistor ladder</b>						
$V_{RB}$	reference voltage LOW		-3.2	-3.0	-2.7	V
$V_{RT}$	reference voltage HIGH		-0.9	-0.6	-0.4	V
$V_{\text{ref}}$	differential reference voltage $V_{RT} - V_{RB}$		2.3	2.4	-	V
$I_{\text{ref}}$	reference current		-	12.6	-	mA
$R_{\text{LAD}}$	resistor ladder		-	200	-	$\Omega$
$R_{\text{TLC}}$	temperature coefficient of the ladder		-	0.24	-	$\Omega/^\circ\text{C}$
$V_{\text{OB}}$	voltage offset bottom	note 6	-	317	-	mV
$V_{\text{OBTC}}$	voltage offset bottom temperature coefficient	note 6	-	0.1	-	mV/ $^\circ\text{C}$
$V_{\text{OT}}$	voltage offset top	note 6	-	174	-	mV
$V_{\text{OTTC}}$	voltage offset top temperature coefficient	note 6	-	-0.3	-	mV/ $^\circ\text{C}$
<b>Inputs</b>						
CLOCK INPUT CLK (note 1)						
$V_{\text{IL}}$	input voltage LOW		-1.85	-1.77	-1.65	V
$V_{\text{IH}}$	input voltage HIGH		-0.96	-0.88	-0.81	V
$I_{\text{IL}}$	input current LOW	$V_{\text{CLK}} = -1.77 \text{ V}$	-	-240	-	$\mu\text{A}$
$I_{\text{IH}}$	input current HIGH	$V_{\text{CLK}} = -0.88 \text{ V}$	-	-14	-	$\mu\text{A}$
$R_i$	input resistance	$f_{\text{CLK}} = 10 \text{ MHz}$	-	7.0	-	k $\Omega$
		$f_{\text{CLK}} = 50 \text{ MHz}$	-	3.5	-	k $\Omega$
$C_i$	input capacitance	$f_{\text{CLK}} = 10 \text{ MHz}$	-	1.8	-	pF
		$f_{\text{CLK}} = 50 \text{ MHz}$	-	1.55	-	pF
CLOCK INPUT $\overline{\text{CLK}}$ (note 1)						
$V_{\text{IL}}$	input voltage LOW		-1.85	-1.77	-1.65	V
$V_{\text{IH}}$	input voltage HIGH		-0.96	-0.88	-0.81	V
$I_{\text{IL}}$	input current LOW	$V_{\text{CLK}} = -1.77 \text{ V}$	-	-140	-	$\mu\text{A}$
$I_{\text{IH}}$	input current HIGH	$V_{\text{CLK}} = -0.88 \text{ V}$	-	75	-	$\mu\text{A}$
$R_i$	input resistance	$f_{\text{CLK}} = 10 \text{ MHz}$	-	9.3	-	k $\Omega$
		$f_{\text{CLK}} = 50 \text{ MHz}$	-	4.5	-	k $\Omega$
$C_i$	input capacitance	$f_{\text{CLK}} = 10 \text{ MHz}$	-	2.6	-	pF
		$f_{\text{CLK}} = 50 \text{ MHz}$	-	2.4	-	pF
$V_{\text{CLK(p-p)}} - V_{\text{CLK(p-p)}}$	AC input voltage for switching (peak-to-peak value)		0.5	0.9	1.1	V

## 8-bit high-speed analog-to-digital converter

TDA8715

SYMBOL	PARAMETER	CONDITIONS	MIN.	TYP.	MAX.	UNIT
VI (analog input with $V_{RB} = -3.1$ V and $V_{RT} = -0.6$ V)						
$I_{IL}$	input current LOW	data output 00	-	0	-	$\mu$ A
$I_{IH}$	input current HIGH	data output FF	-	120	-	$\mu$ A
$R_i$	input resistance	$f_i = 1$ MHz	-	9.4	-	k $\Omega$
$C_i$	input capacitance	$f_i = 1$ MHz	-	13.7	20	pF
<b>Outputs</b>						
DIGITAL OUTPUTS (D7 - D0 and 0/UF) (Digital 10KH ECL outputs)						
$V_{OL}$	output voltage LOW	$T_{amb} = 25$ °C	-1.95	-1.77	-1.65	V
$V_{OH}$	output voltage HIGH	$T_{amb} = 25$ °C	-0.96	-0.88	-0.81	V
$I_{OL}$	output current LOW		-	1.8	4	mA
$I_{OH}$	output current HIGH		-	1.8	4	mA
<b>Switching characteristics</b>						
$f_{CLK}/\overline{f_{CLK}}$	maximum clock frequency		50	-	-	MHz
<b>Analog signal processing (<math>f_{CLK} = 50</math> MHz)</b>						
B	-3 dB bandwidth	note 2	-	20.5	-	MHz
$G_d$	differential gain	note 3	-	0.3	2.0	%
$\phi_d$	differential phase	note 3	-	0.4	1.5	deg
$f_1$	fundamental harmonics (full-scale)	$f_i = 4.43$ MHz	0	0	0	dB
$F_{even}$	even harmonics (full-scale)	$f_i = 4.43$ MHz	-	-60	-	dB
$F_{odd}$	odd harmonics (full scale)	$f_i = 4.43$ MHz	-	-50	-	dB
<b>Transfer function (<math>f_{CLK} = 50</math> MHz)</b>						
ILE	DC integral linearity error		-	-	$\pm 0.75$	LSB
DLE	DC differential linearity error		-	-	$\pm 0.5$	LSB
AILE	AC integral linearity error	note 4	-	$\pm 0.75$	-	LSB
EB	effective bits $f_i = 600$ kHz	$f_{CLK} = 20$ MHz	-	7.8	-	bits
EB	effective bits $f_i = 4.43$ MHz	$f_{CLK} = 50$ MHz	-	7.2	-	bits
EB	effective bits $f_i = 7$ MHz	$f_{CLK} = 50$ MHz	-	6.9	-	bits
<b>Timing (note 7; see Fig. 3)</b>						
$t_{dS}$	sampling delay		-	1	3	ns
$t_{HD}$	output hold time		3	4	-	ns
$t_{dLH}$	output delay time	LOW-to-HIGH transition	4	5	8	ns
$t_{dHL}$	output delay time	HIGH-to-LOW transition	6	7	10	ns

## 8-bit high-speed analog-to-digital converter

**TDA8715**

### Notes to the characteristics

1. The circuit has two clock inputs CLK and  $\overline{\text{CLK}}$ . There are two modes of operation:
  - Differential drive modes; When driving the CLK input and the  $\overline{\text{CLK}}$  input directly with two complementary ECL signals or with two complementary sinewave signals, imposed on a DC level of  $-1.3\text{ V}$ , sampling takes place on the LOW-to-HIGH transition of the clock signal.
  - Asymmetrical drive modes; When driving the CLK input directly with a ECL signal or a sinewave signal imposed on a DC level of  $-1.3\text{ V}$ , sampling takes place on the LOW-to-HIGH transition of the clock signal.
  - When driving the CLK input with a ECL signal only (Asymmetrical drive modes), it is recommended to decouple the  $\overline{\text{CLK}}$  input to DGND with a capacitor and connected to  $V_{\text{EED}}$  by a  $150\text{ k}\Omega$  resistor.
2. The  $-3\text{ dB}$  bandwidth is determined by the  $3\text{ dB}$  reduction in the reconstructed output (full-scale signal at the input).
3. Low frequency ramp signal ( $V_{\text{I(p-p)}} = 1.8\text{ V}$  and  $f_i = 15\text{ kHz}$ ) combined with a sinewave input voltage ( $V_{\text{I(p-p)}} = 0.5\text{ V}$ ,  $f_i = 4.43\text{ MHz}$ ) at the input.
4. Full-scale sinewave ( $f_i = 4.43\text{ MHz}$ ;  $f_{\text{CLK}}/f_{\overline{\text{CLK}}} = 50\text{ MHz}$ ).
5. All digital outputs connected to  $V_{\text{EED}}$  via  $2.2\text{ k}\Omega$  resistors.
6. Analog input voltages producing code 00 up to and including FF
  - $V_{\text{OB}}$  (voltage offset bottom) is the difference between the analog input which produces data equal to 00 and the reference voltage bottom ( $V_{\text{RB}}$ ) at  $T_{\text{amb}} = 25\text{ }^\circ\text{C}$ .
  - $V_{\text{OBTC}}$  (voltage offset bottom temperature coefficient) is the dependence of  $V_{\text{OB}}$  with temperature.
  - $V_{\text{OT}}$  (voltage offset top) is the difference between  $V_{\text{RT}}$  (reference voltage top) and the analog input which produces data outputs equal to FF, at  $T_{\text{amb}} = 25\text{ }^\circ\text{C}$ .
  - $V_{\text{OTTC}}$  (voltage offset top temperature coefficient) is the dependence of  $V_{\text{OT}}$  with temperature.
7. Output data acquisition
  - Output data is available after the maximum delay of  $t_{\text{dHL}}$  and  $t_{\text{dLH}}$ .
  - Output data is fully stable during the low level of the clock. Thus it is recommended that acquisition of this data is made after the falling edge of the clock, instead of after the maximum ( $t_{\text{dHL}}$ ,  $t_{\text{dLH}}$ ).



**8-bit high-speed analog-to-digital converter**

**TDA8715**

**Table 1** Output coding and input voltage (typical values;  $V_{RB} = -3.0\text{ V}$ ;  $V_{RT} = -0.6\text{ V}$  and  $V_{VI}$  referenced to AGND)

STEP	$V_{VI}$	O/UF	BINARY OUTPUT BITS							
			D7	D6	D5	D4	D3	D2	D1	D0
underflow	$< -2.789$	1	0	0	0	0	0	0	0	0
0	$-2.783$	0	0	0	0	0	0	0	0	0
1	$-2.775$	0	0	0	0	0	0	0	0	1
.	.	.	.	.	.	.	.	.	.	.
.	.	.	.	.	.	.	.	.	.	.
254	.	0	1	1	1	1	1	1	1	0
255	$-0.774$	0	1	1	1	1	1	1	1	1
overflow	$> -0.770$	1	1	1	1	1	1	1	1	1

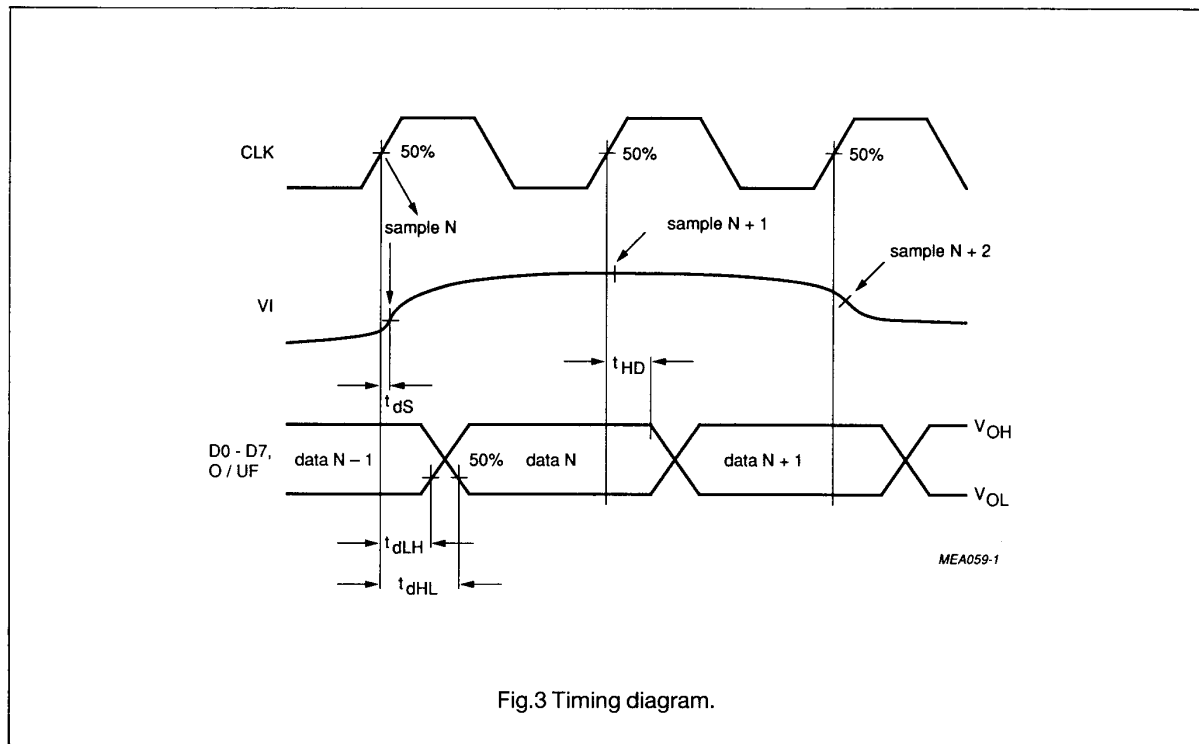
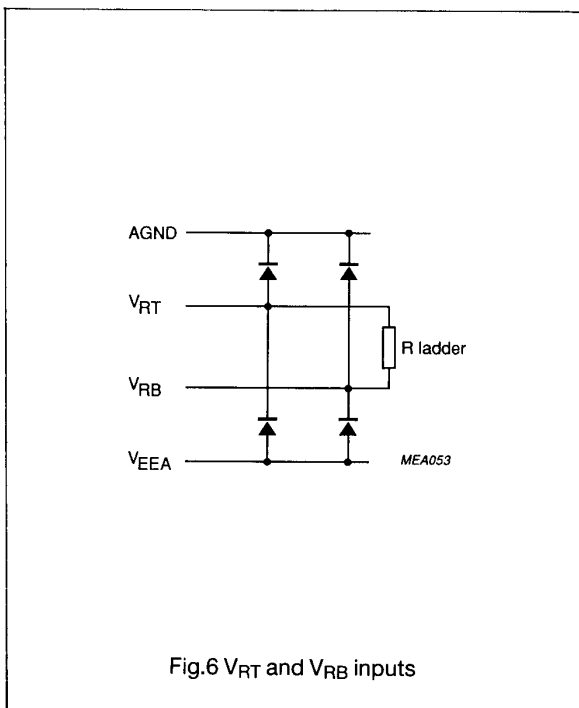
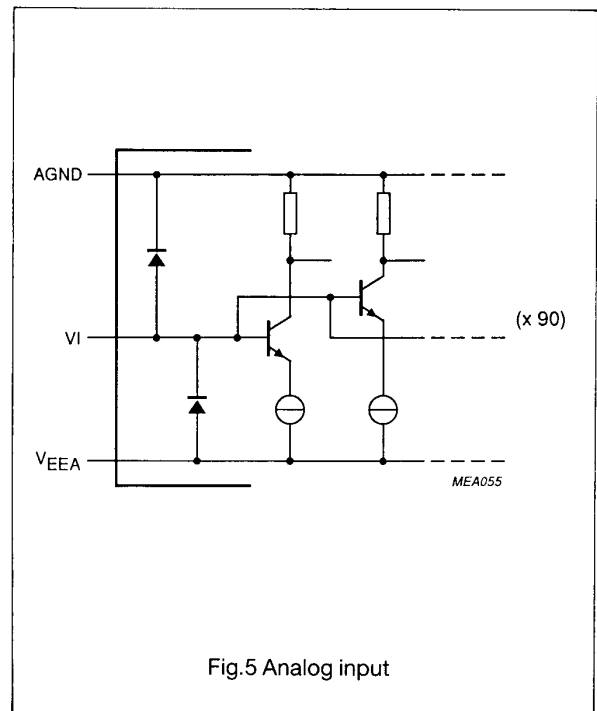
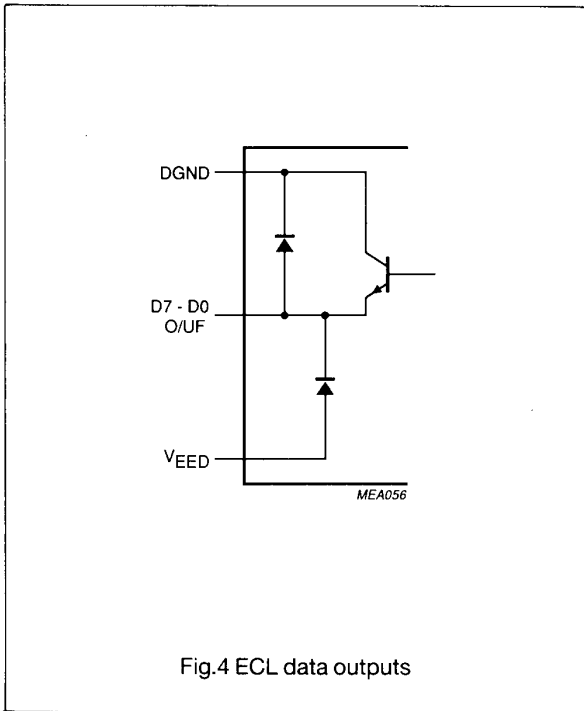


Fig.3 Timing diagram.

**8-bit high-speed analog-to-digital converter**

**TDA8715**

**INTERNAL PIN CONFIGURATIONS**



# 8-bit high-speed analog-to-digital converter

# TDA8715

## APPLICATION INFORMATION

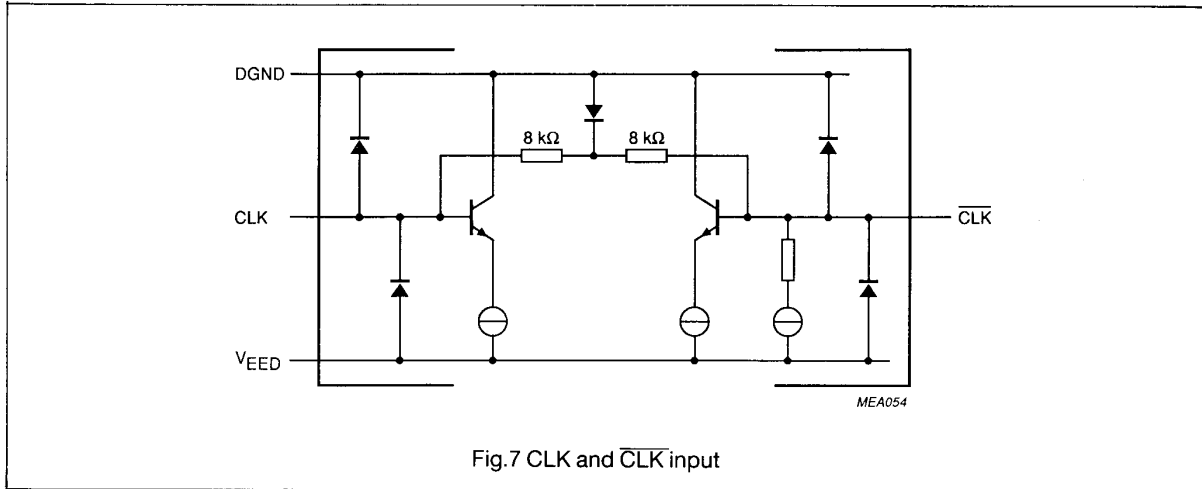


Fig.7 CLK and  $\overline{\text{CLK}}$  input

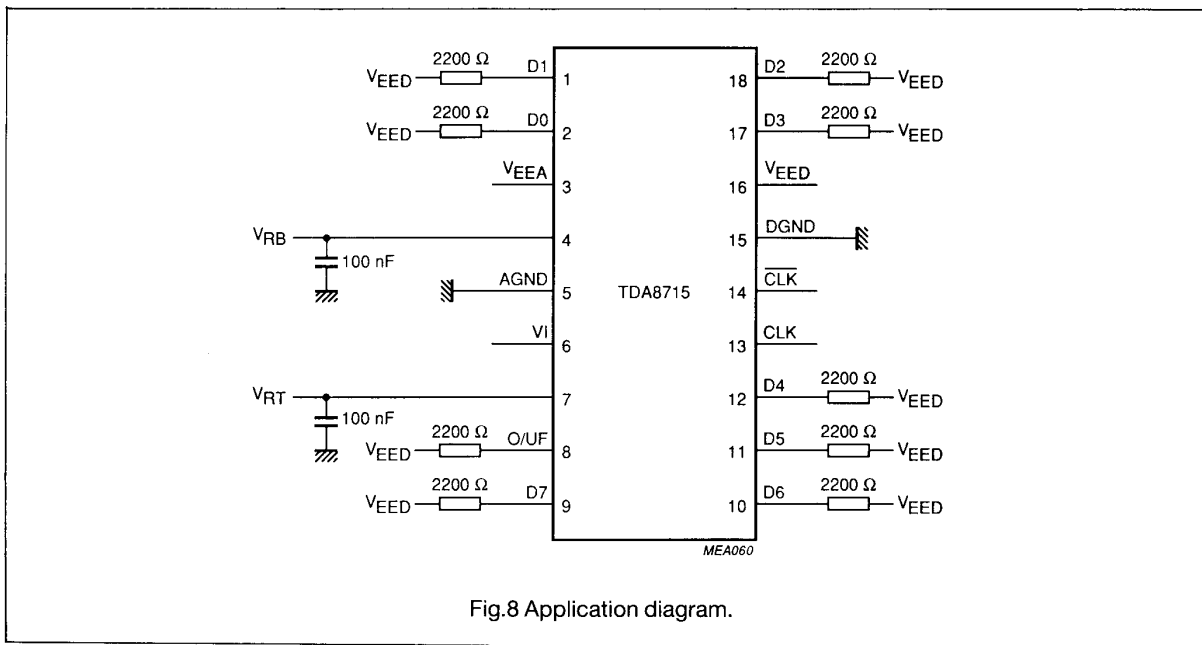


Fig.8 Application diagram.

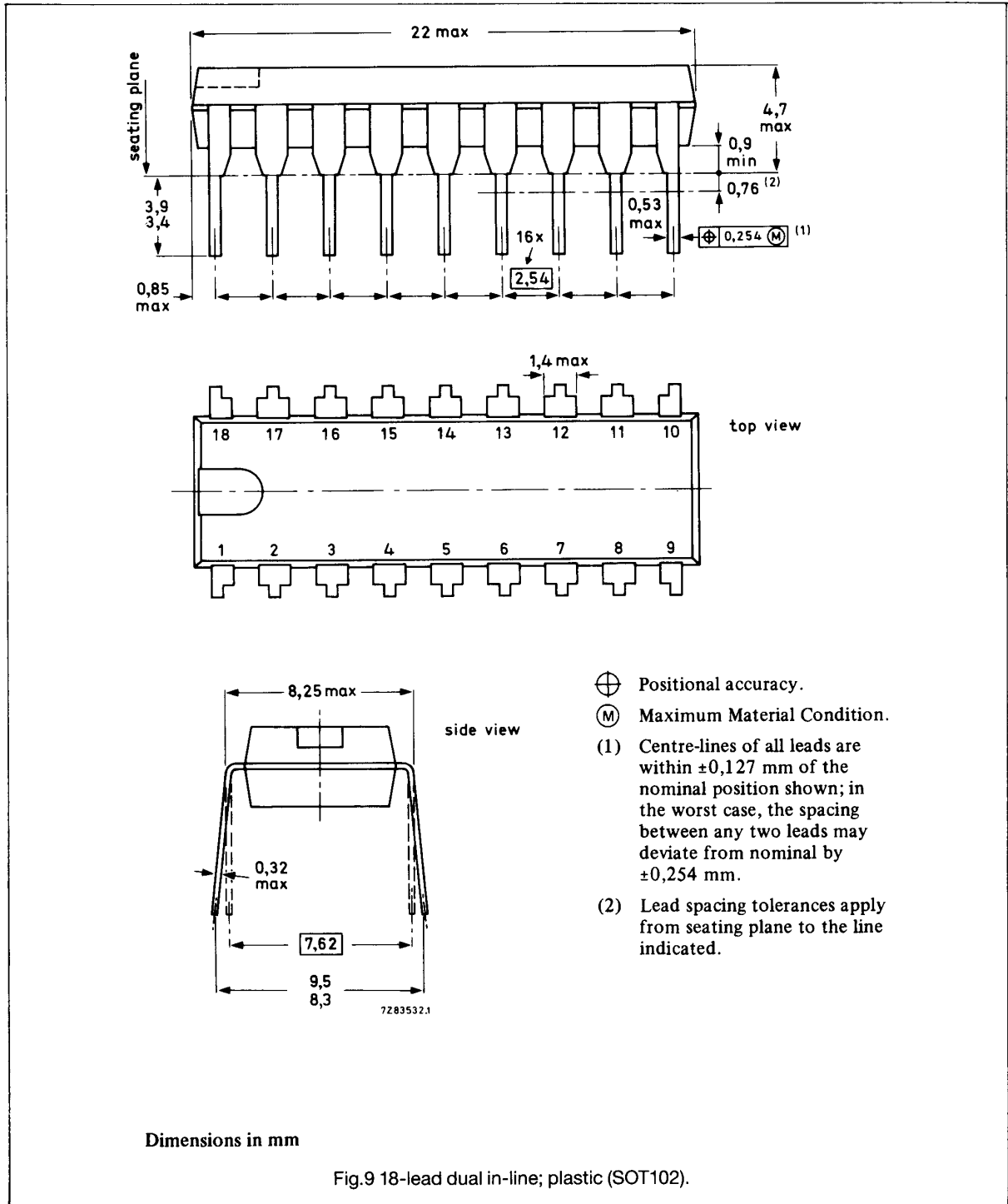
### Notes to Fig.8

- All resistors have a value of 2.2 kΩ; all capacitors have a value of 100 nF
- Analog and digital supplies should be separated and decoupled.
- The external voltage regulator must be built in such a way that a good supply voltage ripple rejection is achieved with respect to the LSB value.
- $V_{EEA} = V_{EED} = -5.2 \text{ V}$ ;  $V_{RB} = -3.0 \text{ V}$ ;  $V_{RT} = -0.6 \text{ V}$ .

8-bit high-speed analog-to-digital converter

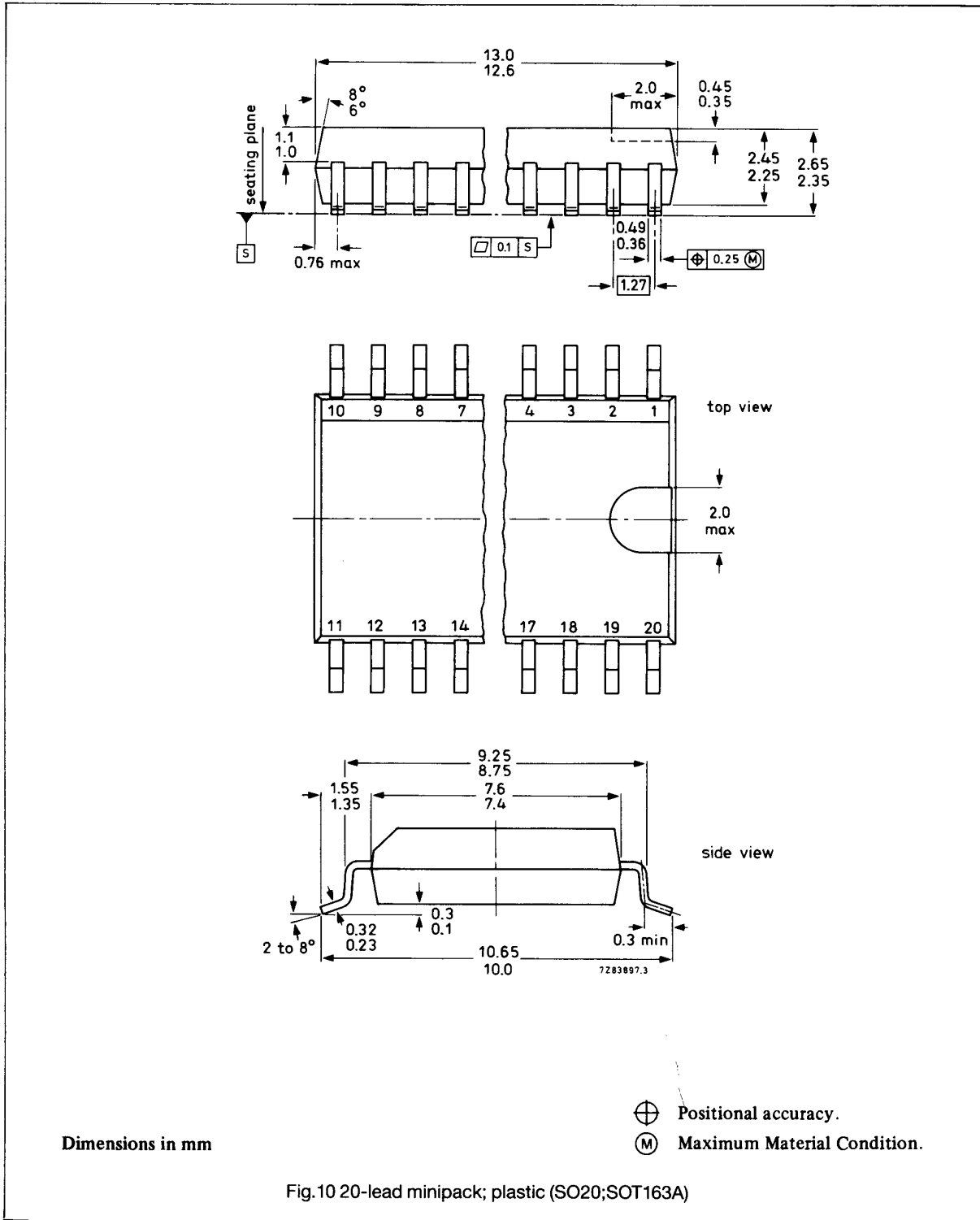
TDA8715

PACKAGE OUTLINES



8-bit high-speed analog-to-digital converter

TDA8715



## 8-bit high-speed analog-to-digital converter

**TDA8715**

### SOLDERING

#### Plastic mini-packs

##### BY WAVE

During placement and before soldering, the component must be fixed with a droplet of adhesive. After curing the adhesive, the component can be soldered. The adhesive can be applied by screen printing, pin transfer or syringe dispensing.

Maximum permissible solder temperature is 260 °C, and maximum duration of package immersion in solder bath is 10 s, if allowed to cool to less than 150 °C within 6 s. Typical dwell time is 4 s at 250 °C.

A modified wave soldering technique is recommended using two solder waves (dual-wave) in which a turbulent wave with high upward pressure is followed by a smooth laminar wave. Using a mildly-activated flux eliminates the need for removal of corrosive residues in most applications.

##### BY SOLDER PASTE REFLOW

Reflow soldering requires the solder paste (a suspension of fine solder

particles, flux and binding agent) to be applied to the substrate by screen printing, stencilling or pressure-syringe dispensing before device placement.

Several techniques exist for reflowing; for example, thermal conduction by heated belt, infrared, and vapour-phase reflow. Dwell times vary between 50 and 300 s according to method. Typical reflow temperatures range from 215 to 250 °C.

Preheating is necessary to dry the paste and evaporate the binding agent. Preheating duration: 45 min at 45 °C.

##### REPAIRING SOLDERED JOINTS (BY HAND-HELD SOLDERING IRON OR PULSE-HEATED SOLDER TOOL)

Fix the component by first soldering two, diagonally opposite, end pins. Apply the heating tool to the flat part of the pin only. Contact time must be limited to 10 s at up to 300 °C. When using proper tools, all other pins can be soldered in one operation within 2 to 5 s at between 270 and 320 °C. (Pulse-heated soldering is not recommended for SO packages).

For pulse-heated solder tool (resistance) soldering of VSO packages, solder is applied to the substrate by dipping or by an extra thick tin/lead plating before package placement.

#### Plastic dual in-line packages

##### BY DIP OR WAVE

The maximum permissible temperature of the solder is 260 °C; this temperature must not be in contact with the joint for more than 5 s. The total contact time of successive solder waves must not exceed 5 s.

The device may be mounted up to the seating plane, but the temperature of the plastic body must not exceed the specified storage maximum. If the printed-circuit board has been preheated, forced cooling may be necessary immediately after soldering to keep the temperature within the permissible limit.

##### REPAIRING SOLDERED JOINTS (BY HAND)

Apply the soldering iron below the seating plane (or not more than 2 mm above it). If its temperature is below 300 °C it must not be in contact for more than 10 s; if between 300 and 400 °C, for not more than 5 s.

**8-bit high-speed analog-to-digital converter****TDA8715****DEFINITIONS**

<b>Data sheet status</b>	
Objective specification	This data sheet contains target or goal specifications for product development.
Preliminary specification	This data sheet contains preliminary data; supplementary data may be published later.
Product specification	This data sheet contains final product specifications.
<b>Limiting values</b>	
Limiting values given are in accordance with the Absolute Maximum Rating System (IEC 134). Stress above one or more of the limiting values may cause permanent damage to the device. These are stress ratings only and operation of the device at these or at any other conditions above those given in the Characteristics sections of this specification is not implied. Exposure to limiting values for extended periods may affect device reliability.	
<b>© Philips Export B.V. 1990</b>	
All rights are reserved. Reproduction in whole or in part is prohibited without the prior written consent of the copyright owner.	
The information presented in this document does not form part of any quotation or contract, is believed to be accurate and reliable and may be changed without notice. No liability will be accepted by the publisher for any consequence of its use. Publication thereof does not convey nor imply any license under patent- or other industrial or intellectual property rights.	

Printed in The Netherlands

9397 290 40011