

## Tri-mode CMOS digital camera co-processor

### Description

The STV0674 is a flexible, scalable digital camera co-processor for use with the range of CMOS imaging sensor products from STMicroelectronics.

The same chipset can be used for a wide range of digital imaging products with unique features and price/performance points.

The STV0674 is designed for use with CIF (352x288) or VGA (640x480) ST CMOS image sensors and provides full exposure control, color processing and mode control for these sensors.

The STV0674 can be used to implement any of the following products:

**Low cost USB Webcam Camera** - a two-chip solution providing up to 30 frames per second VGA simultaneous video and audio capture.

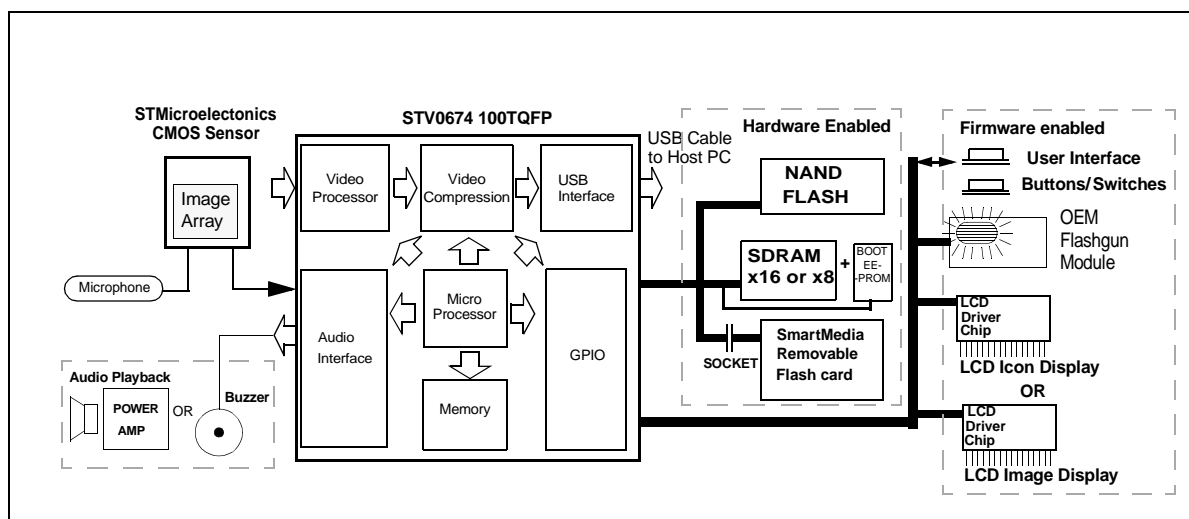
**Dual-Mode Camera** - USB webcam and CIF or VGA digital still camera in a single product.

**Tri-Mode Camera** - USB webcam and digital still camera with the addition of a 'camcorder' mode to allow simultaneous video and audio capture directly to external memory for later upload to the PC.

### Features

- **VGA or CIF CMOS sensor support**
- **Hardware color processing and JPEG compression of image data**
- **Still image capture**
- **Tethered video operation over USB**
  - Simultaneous video and audio capture
- **USB**
  - USB for PC and MacOS (in development)
- **Flexible external memory options**
  - SDRAM for lower cost, (8 or 16 bit)
  - FLASH for non volatile storage (Data + Code)
  - Smartmedia Card for removable data storage
  - EEPROM for code storage
- **Record simultaneous video and audio direct to memory while untethered**
- **Drivers for PC operating systems Win98, WinME, Win2K and Win XP.**

### Application Block Diagram



## Table of Contents

|                  |   |           |
|------------------|---|-----------|
| <b>Chapter 1</b> | <b>Overview</b> .....   | <b>5</b>  |
| 1.1              | Webcam Mode .....   | 5         |
| 1.2              | Dual-Mode (Webcam plus Digital Still Camera) .....                                  | 5         |
| 1.3              | Tri-Mode (Webcam plus Digital Still Camera plus Digital Movie/Audio Recorder) ..... | 5         |
| <b>Chapter 2</b> | <b>STV0674 Functional Description</b> .....   | <b>6</b>  |
| 2.1              | Sensor interface .....  | 6         |
| 2.2              | Video processor .....   | 6         |
| 2.3              | Video compressor .....  | 6         |
| 2.4              | Microcontroller .....   | 7         |
| 2.5              | Memory interfaces .....   | 7         |
| 2.6              | Audio record .....  | 8         |
| 2.7              | Audio playback .....  | 8         |
| 2.8              | USB PC interface .....  | 8         |
| 2.9              | Power requirements .....  | 8         |
| <b>Chapter 3</b> | <b>STV0674 Application Examples</b> .....   | <b>9</b>  |
| 3.1              | Webcam with audio .....   | 9         |
| 3.2              | Tri-mode camera .....   | 10        |
| <b>Chapter 4</b> | <b>Detailed Specifications</b> .....  | <b>11</b> |
| 4.1              | Absolute maximum ratings .....  | 11        |
| 4.2              | DC characteristics .....  | 11        |
| 4.3              | SDRAM interface .....   | 13        |
| 4.4              | NAND flash interface .....  | 15        |
| 4.5              | USB interface .....   | 20        |
| 4.6              | Audio .....   | 21        |
| 4.7              | SFP AC parameters .....   | 22        |
| 4.8              | Sensor interface .....  | 22        |
| 4.9              | Device current consumption in run and suspend modes .....                           | 23        |
| <b>Chapter 5</b> | <b>Pinout and Pin Description</b> .....   | <b>24</b> |
| 5.1              | Device pinout .....   | 24        |

**STV0674**

---

|                  |  |           |
|------------------|--|-----------|
| 5.2              | Pin description .....                                    | 26        |
| 5.3              | Package outline and mechanical data .....                | 31        |
| 5.4              | External circuits .....                                  | 32        |
| <b>Chapter 6</b> | <b>Evaluation Kit and Reference Design Manuals .....</b> | <b>33</b> |
| 6.1              | Evaluation kit .....                                     | 33        |
| 6.2              | Reference design manuals .....                           | 33        |
| <b>Chapter 7</b> | <b>Ordering Details .....</b>                            | <b>34</b> |

## Revision History

| Revision | Date       | Changes   |
|----------|------------|---|
| A        | 03/10/2001 | Initial release   |
| B        | 16/08/2002 | Expansion of AC /DC specifications section 7<br>Added Figures 11 and 14, "Signals identified by functional group"<br>Detail added to <a href="#">Table 10</a> , pull down on SFP 19 required<br>Detail added to <a href="#">Table 10</a> , pull down on SFP 14 required |
| C        | 17/04/2003 | Deletion of any reference to 64TQFP package.  |
|          | 26/05/2003 | DC characteristics - Changed value for I/O high power current: 2 mA instead of 5.7 mA previously.   |

# 1 Overview

The STV0674 can be used to implement 3 different low-cost CMOS camera products as detailed here below.

## 1.1 Webcam Mode

STV0674 allows a two-chip solution to provide a USB webcam, which can acquire and display images on the host system at frame rates of up to 30fps VGA. The addition of an external microphone allows simultaneous audio acquisition. Custom drivers require an additional low cost EEPROM which allows USB parameters such as Vendor ID /Product ID to be customised.

## 1.2 Dual-Mode (Webcam plus Digital Still Camera)

While retaining all the features of the webcam, the addition of external storage memory allows the functionality of a digital still camera. On-chip JPEG compression permits high-density picture storage.

16Mbit to 128Mbit of SDRAM (8 or 16 bit) and/or 32Mbit to 1Gbit NAND flash memory are supported by the device. Also supported are the popular Smart Media Cards (SMC) to extend non-volatile storage capability. The wide range of memory support allows the camera builder to tailor the system cost to suit their target market.

A continuous image acquisition mode allows untethered (no host connection) video clips to be taken. As an example, with 15:1 compression ratio and 128Mbit memory over two minutes (QVGA @10fps) worth of video can be stored and up-loaded for display on the host.

Full Direct Show driver support for Windows 98SE, ME, Windows 2000, Win XP is available. MacOS is currently in development.

## 1.3 Tri-Mode (Webcam plus Digital Still Camera plus Digital Movie/Audio Recorder)

Again, retaining the features of the dual mode camera, the inclusion of audio record and playback circuitry adds another dimension to the product. An in-system microphone allows audio to be recorded and played back either via a speaker on the camera or via the host sound system. Audio can either be recorded simultaneously with video (camcorder) or independently of image acquisition (dictaphone). Audio data can also be downloaded from the host and played back on the camera when events take place. This allows any sampled soundbites to be played back on cameras, as opposed to the normal beeps from traditional cameras, which offers many possibilities for language customisation or licensed "character" cameras.

As well as the memory and audio options already described, the GPIO and firmware emulation make it possible to support other custom peripherals such as icon or area displays.

Other custom peripherals such as icon or area displays can be support via uncommitted general purpose I/O under firmware control.

ST Microelectronics provides a software development kit (SDK) allowing OEMs to create custom PC applications, and an OEM pack to modify drivers to their specific requirements.

## 2 STV0674 Functional Description

The STV0674 uses a combination of hardware functions and firmware to implement the required features. While the following features are selected and controlled via firmware their operation is carried out by dedicated hardware core. All dedicated hardware functions use fixed pin numbers which are detailed in [Section 5.2](#).

### 2.1 Sensor interface

The sensor interface is compatible with ST Microelectronics CIF and VGA sensors. This interface consists of a 5-wire sensor data output with additional sync signals, clocking, and I<sup>2</sup>C interface for configuration. All sensor communications, exposure/gain control, color processing, white balance control, and clocking are handled automatically by STV0674.

### 2.2 Video processor

The video processor (VP) provides formatted YCbCr 4:2:2-sampled digital video at frame rates up to 30 frames per second to the video compressor (VC) module or internal video FIFO. The VP also interfaces directly to the image sensors. The interface to the sensor incorporates:

- a 5-wire data bus SDATA[4:0] that receives both video data and embedded timing references.
- a 2-wire serial interface SSDA,SSCL that controls the sensor and the sensor register configuration.
- the sensor clock SCLK.

The video processing engine performs the following functions on incoming data

- full colour restoration at each pixel site from Bayer-patterned input data
- defect correction
- matrixing/gain on each colour channel for colour purity
- auto white balance, exposure and gain control
- peaking for image clarity
- gamma correction
- colour space conversion (including hue and saturation control) from raw RGB to YCbCr[4:2:2].

### 2.3 Video compressor

The video compression engine performs 3 main functions:

- Up scaling of input YCbCr 4:2:2 video stream from the VP (typically to scale from QVGA to CIF image formats),
- Compression and encoding of YCbCr stream into Motion-JPEG (M-JPEG) format,
- FIFO monitoring.

The data stream from the VP can be up to VGA size. The scaler in VC can downsize this image. Once scaled, the video stream is then converted into M-JPEG format. M-JPEG treats video as a series of JPEG still images. The conversion is released via a sequential DCT (Discrete Cosine Transform) with Huffman encoding. After transfer through the digiport or over USB, the M-JPEG stream can be decoded in the host.

The VC module varies the compression ratio to match the scene and selected frame rate, to the FIFO fill state. The VC module is capable of compression ratios of up to 100:1.

Thumbnails can also be generated within the VC for potential display on an image LCD.

The final stage of the VC block manages the data transfer rate from the local VC FIFO store to the memory or USB core. The VC can perform this management automatically, by employing long-term (frame-level) and short-term (block-level) compression management.

## 2.4 Microcontroller

The STV0674 has an embedded high-performance 8052 8-bit microcontroller with 32 Kbytes of ROM and 32 Kbytes of SRAM available for program memory.

The device functionality provided by default program ROM is generally sufficient to address all needs of a USB-tethered camera.

In STV0674, code can be executed from the local SRAM as well as default ROM. The default ROM provides basic functions such as USB control, memory control, VP setup, systems installation, and the transfer of application specific code into the local SRAM.

In non-tethered applications, the SRAM can be loaded from off-chip EEPROM via I<sup>2</sup>C or from an external flash device. If required in tethered applications, the SRAM can be loaded from the host PC via the USB.

The ROM bootloader will load the application specific firmware code from one of the following sources, in order of priority:

- 1 EEPROM.
- 2 NAND FLASH.
- 3 PC host (in the case of a webcam).

## 2.5 Memory interfaces

### 2.5.1 NAND FLASH memory/SmartMedia card interface

The NAND FLASH module for the STV0674 provides a dedicated interface to an external 32 Mbit to 1 Gbit NAND FLASH chip, and/or 4 Mbyte to 128 Mbyte SmartMedia card.

NAND flash devices can contain a number of bit errors, and the core may deteriorate over time. Both occurrences are handled automatically by STV0674.

A camera using NAND flash for image storage has the advantage that it can be powered off (e.g. auto power off, or for changing batteries) without losing images. No serial EEPROM is required as the application specific programme code can be stored in NAND flash memory.

*Note: 1 Support for SMC is for 3V3 cards. 5V cards are not supported.*

*2 Standard digital camera file formats (e.g. DOS file format, SSFDC) are not supported on SMC cards at this time.*

### 2.5.2 SDRAM interface

The STV0674 can use SDRAM for image storage and is designed to operate with PC66 or better compliant devices and supports 16Mbit, 64Mbit and 128Mbit parts in both the x16 SDRAM or x8 DRAM word widths.

It is recommended that any SDRAM used have low self refresh I<sub>dd</sub>.

### 2.5.3 EEPROM interface

The STV0674 supports up to 512Kbit EEPROM to hold application specific firmware code. Also, in the case of a tethered only web cam, lower density EEPROMs (down to 1Kbit) can be used to store information regarding custom USB Product ID, Vendor ID and power consumption.

## 2.6 Audio record

The audio record block consists of a 16bit delta-sigma ADC using sampling frequencies of 8 kHz, 11.025 kHz, 16 kHz, 22.05 kHz, 32 kHz, 44.1 kHz and 48 kHz, with either differential or single ended inputs. The sampled output can be 8 or 16 bit.

## 2.7 Audio playback

Audio playback is achieved by an internal Pulse Width Modulator with sample rates of 8kHz, 11.025kHz, 16kHz, 22.05kHz, 32kHz or 44.1kHz, connected to either an external amplifier chip and loudspeaker/ headphone socket or to a simple piezo buzzer.

## 2.8 USB PC interface

The STV0674 includes a USB version 1.1 compliant Universal Serial Bus interface which requires the minimum of additional hardware. The interface key features are listed here below.

- Compliant with USB protocol revision 1.1
- USB audio class compliant
- USB protocol handling
- USB device state handling
- Clock and data recovery from USB
- Bit stripping and bit stuffing functions
- CRC5 checking, CRC16 generation and checking
- Serial to parallel conversion
- Twin bulk end points (in/out)

USB drivers are supplied by ST. For USB timing information, please refer to the USB specification version 1.1.

## 2.9 Power requirements

STV0674 requires a 3V3 supply for I/O and a 1V8 supply for the core.



## 3 STV0674 Application Examples

The initial STV0674 released by ST Microelectronics is supplied with generic firmware application code to realise one of the following camera types.

### 3.1 Webcam with audio

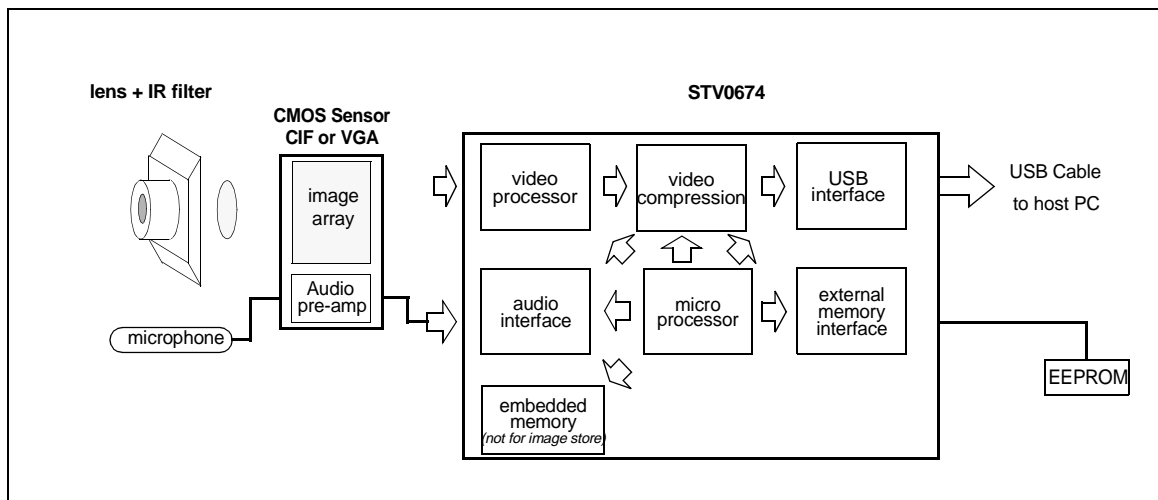
#### 3.1.1 Overview

This camera uses the minimum of external components and has no user interface, batteries or memory for image storage. It is used as a tethered video capture camera over USB, with simultaneous audio and video. It is controlled entirely through PC drivers. The application specific firmware is downloaded from the PC.

*Note: A custom USB PID/VID can be configured by the use of an EEPROM, if required.*

#### 3.1.2 Application diagram

Figure 1: Application diagram when using STV0674 as webcam with audio



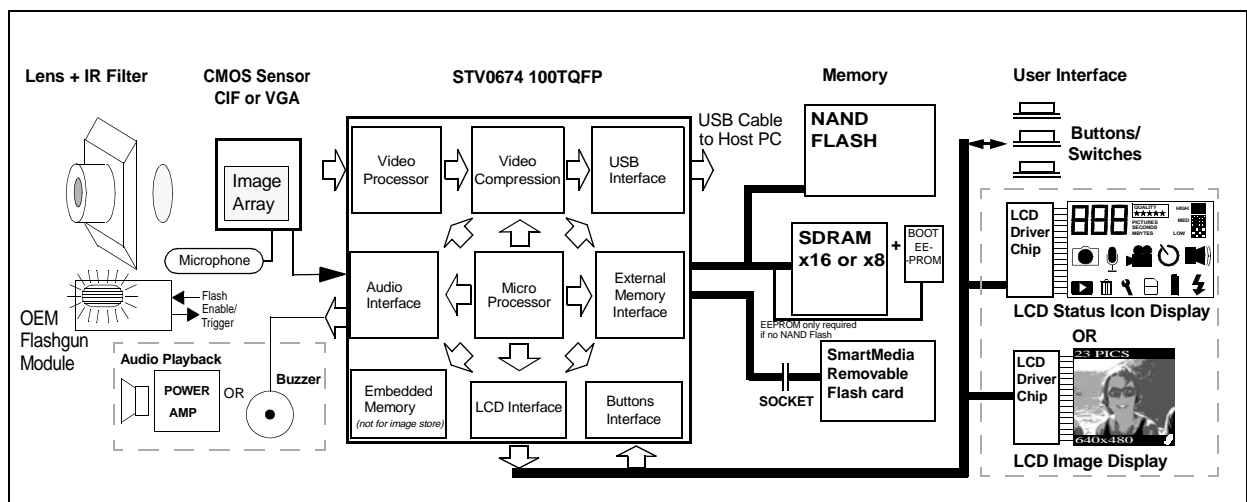
## 3.2 Tri-mode camera

### 3.2.1 Overview

Applications with the tri-mode camera based on STV0674 range from low-cost cameras containing an icon LCD status display, microphone/speaker and small SDRAM chip (for example 16Mbit), to an enhanced feature set camera containing a graphical image LCD display for image review, flashgun, audio record/playback, NAND flash on the PCB and a SmartMedia flash memory socket.

### 3.2.2 Application diagram

Figure 2: Application diagram when using STV0674 as tri-mode camera



## 4 Detailed Specifications

### 4.1 Absolute maximum ratings

| Description           | Range                | Unit |
|-----------------------|----------------------|------|
| Operating Temperature | 0 to 70 <sup>a</sup> | °C   |
| Storage Temperature   | -50 to 150           | °C   |

- a. Refer to the sensor datasheet to determine operating temperature range of complete application

### 4.2 DC characteristics

Table 1: DC characteristics

| Parameter              | Description  | Min  | Typ. | Max  | Units | Notes  |
|------------------------|--|------|------|------|-------|--------|
| VDDC                   | Primary power supply (core)                          | 1.55 | 1.8  | 1.95 | V     | Note 4 |
| VDDI                   | 3.3V power supply for on-chip USB transceiver and IO | 3.0  | 3.3  | 3.6  | V     |        |
| VDDP                   | Analog supply to the PLL                             | 1.60 | 1.8  | 2.0  | V     |        |
| VDDA                   | Analog supply to the audio front end                 | 3.0  | 3.3  | 3.6  | V     |        |
| I <sub>suspend</sub>   | core suspend current                                 |      | 6    |      | μA    |        |
|                        | I/O suspend current                                  |      | 31.5 |      | μA    |        |
|                        | PLL suspend current                                  |      | 0    |      | μA    | Note 5 |
|                        | Audio suspend current                                |      | 1.5  |      | μA    |        |
| I <sub>lowpower</sub>  | Core low power current                               |      | 12.5 |      | mA    | Note 6 |
|                        | I/O low power current                                |      | 0.9  |      | mA    | Note 6 |
|                        | PLL low power current                                |      | 0.5  |      | mA    | Note 6 |
|                        | Audio low power current                              |      | 1.5  |      | μA    | Note 6 |
| I <sub>highpower</sub> | Core high power current                              |      | 50.4 |      | mA    | Note 6 |
|                        | I/O high power current                               |      | 2    |      | mA    | Note 6 |
|                        | PLL high power current                               |      | 0.5  |      | mA    | Note 6 |
|                        | Audio high power current                             |      | 5.1  |      | mA    | Note 6 |
| V <sub>ILU</sub>       | USB differential pad D+/D- input low                 |      |      | 0.8  | V     |        |
| V <sub>IHU</sub>       | USB differential pad D+/D- input high (driven)       | 2.0  |      |      | V     |        |
| V <sub>IHUZ</sub>      | USB differential pad D+/D- input high (floating)     | 2.7  |      | 3.6  | V     |        |
| V <sub>DI</sub>        | USB differential pad D+/D- input sensitivity         | 0.2  |      |      | V     | Note 1 |

Table 1: DC characteristics

| Parameter         | Description   | Min                | Typ.  | Max                 | Units | Notes  |
|-------------------|---|--------------------|-------|---------------------|-------|--------|
| V <sub>CM</sub>   | USB differential pad D+/D- common mode voltage              | 0.8                |       | 2.5                 | V     | Note 2 |
| V <sub>OLU</sub>  | USB differential pad D+/D- output low voltage               | 0.0                |       | 0.3                 | V     |        |
| V <sub>OHU</sub>  | USB differential pad D+/D- output high voltage              | 2.8                |       | 3.6                 | V     |        |
| V <sub>OHU</sub>  | USB differential pad D+/D- output high voltage              | 2.8                |       | 3.6                 | V     |        |
| V <sub>CRS</sub>  | USB differential pad D+/D- output signal cross over voltage | 1.3                |       | 2.0                 | V     |        |
| Z <sub>drv</sub>  | Driver output resistance                                    | 28                 |       | 44                  | Ω     |        |
| V <sub>IL</sub>   | CMOS input low voltage (XTAL_IN)                            |                    |       | 0.631               | V     |        |
| V <sub>IH</sub>   | CMOS input high voltage (XTAL_IN)                           | 1.123              |       |                     | V     |        |
| V <sub>HYS</sub>  | Hysteresis (XTAL_IN)  |                    | 0.492 |                     | V     |        |
| V <sub>IL</sub>   | CMOS input low voltage (TC pad)                             |                    |       | 0.35V <sub>DD</sub> | V     | Note 3 |
| V <sub>IH</sub>   | CMOS input high voltage (TC pad)                            | 0.65V <sub>D</sub> |       |                     | V     | Note 3 |
| V <sub>hyst</sub> | Schmitt trigger hysteresis                                  | 0.4                |       |                     | V     | Note 3 |
| V <sub>T+</sub>   | CMOS schmitt input low to high threshold voltage (TC pad)   |                    | 2.15  |                     | V     | Note 3 |
| V <sub>T-</sub>   | CMOS schmitt input high to low threshold voltage (TC pad)   |                    | 1.05  |                     | V     | Note 3 |
| V <sub>T</sub>    | Threshold point (TC pad)                                    |                    | 1.65  |                     | V     | Note 3 |
| V <sub>OH</sub>   | Output high voltage (TC pad)                                | 2.4                |       |                     | V     |        |
| V <sub>OL</sub>   | Output low voltage (TC pad)                                 |                    |       | 0.4                 | V     |        |

Note: 1  $V_{DI} = |(D+) - (D-)|$

2  $V_{CM}$  includes  $V_{DI}$  range.

3 These figures apply to *sfp*, *sensor\_clk*, *sensor\_scl*, *sensor\_sda*, *test\_mode* and *sensor\_db*. They do not apply to the *XTAL\_IN* pad, these are specified separately.

4 In normal operation the actual device operating voltage is the worst case figure of the PLL and Core supplies, or 1.60V to 1.95V.

5 Below measurable limits.

6 See [Section 4.9](#)

### 4.3 SDRAM interface

#### Read/write timing diagrams for external synchronous DRAM

Figure 3: SDRAM read timing

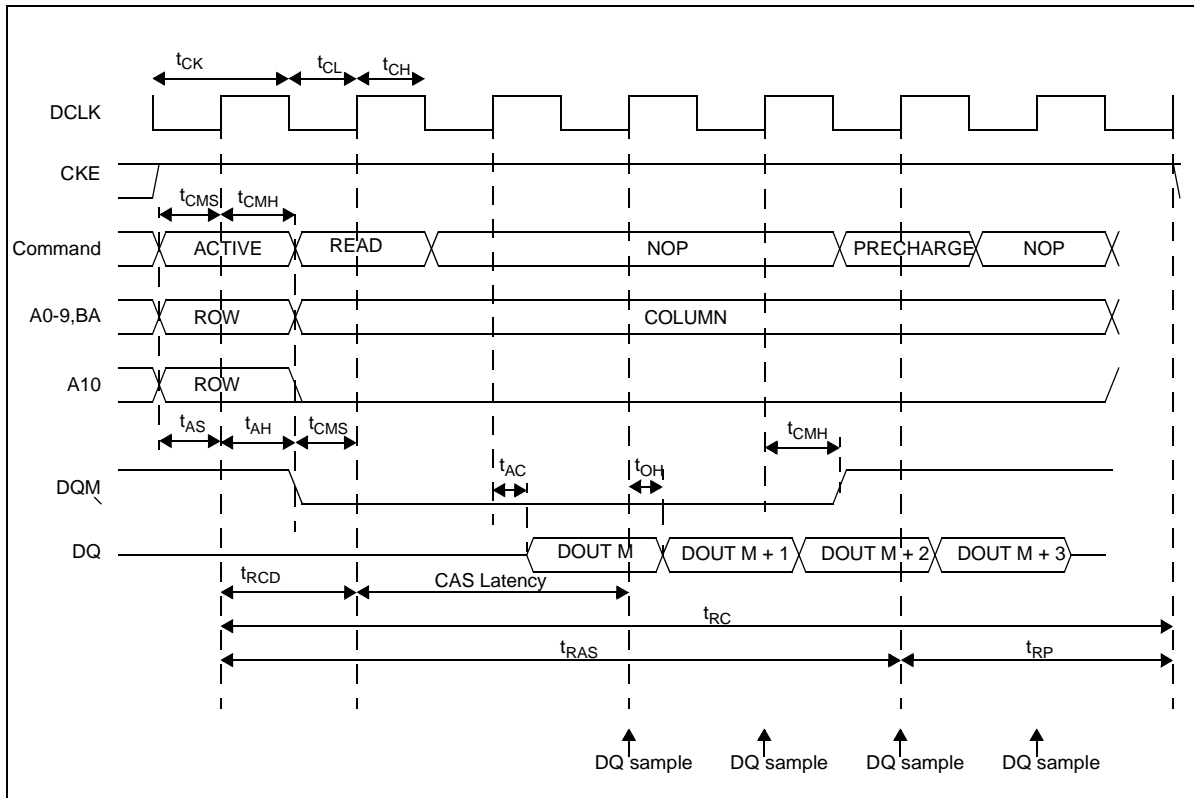


Figure 4: SDRAM write timing

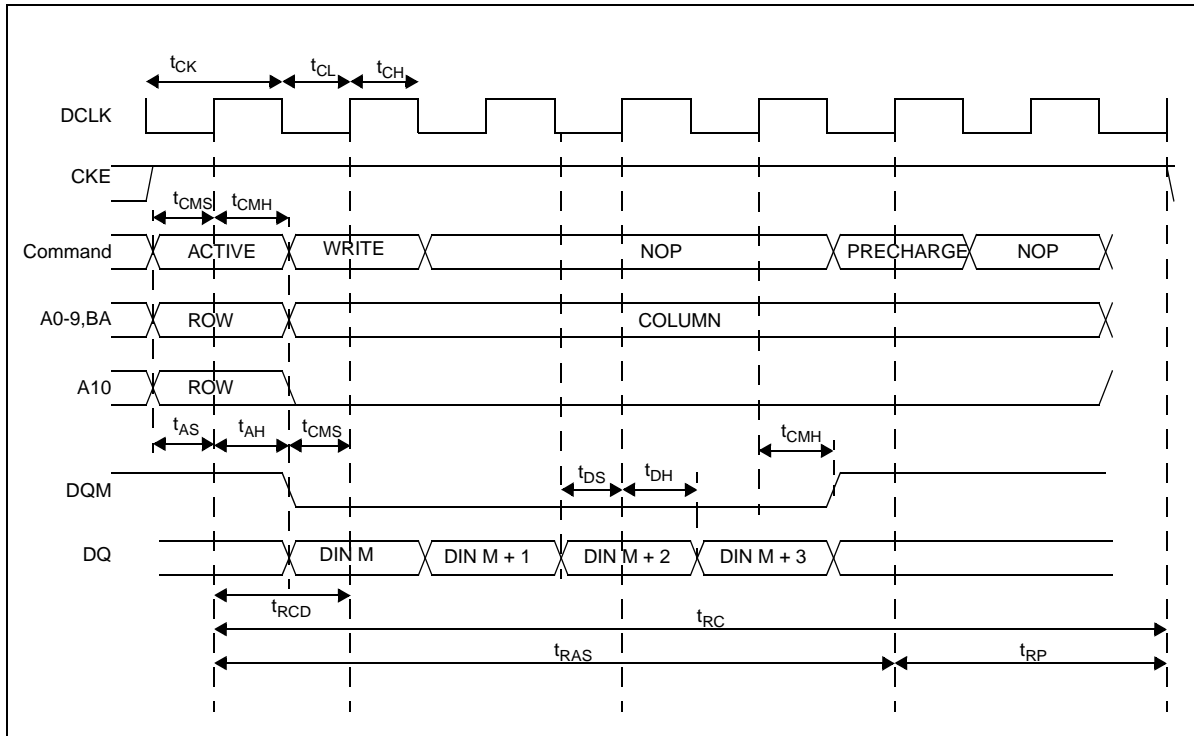


Table 2: SDRAM timing

| Symbol    | Min   | Typ.  | Max   | Units    |
|-----------|-------|-------|-------|----------|
| $t_{CK}$  |       | 41.67 |       | ns       |
| $t_{CH}$  | 20.11 | 20.83 | 21.55 | $t_{CK}$ |
| $t_{CL}$  | 20.11 | 20.83 | 21.55 | $t_{CK}$ |
| $t_{AC}$  |       |       | 24.76 | ns       |
| $t_{OH}$  | 0     |       |       | ns       |
| $t_{CMS}$ | 20.27 |       |       | ns       |
| $t_{CMH}$ | 20.02 |       |       | ns       |
| $t_{AS}$  | 20.67 |       |       | ns       |

| Symbol    | Min   | Typ. | Max | Units    |
|-----------|-------|------|-----|----------|
| $t_{DS}$  | 20.12 |      |     | ns       |
| $t_{DH}$  | 21.82 |      |     | ns       |
| $t_{RCD}$ | 1     |      |     | $t_{CK}$ |
| $t_{RAS}$ | 2     |      |     | $t_{CK}$ |
| $t_{RC}$  | 4     |      |     | $t_{CK}$ |
| $t_{RP}$  | 2     |      |     | $t_{CK}$ |
| $t_{RRD}$ | 2     |      |     | $t_{CK}$ |
| $t_{AH}$  | 19.79 |      |     | ns       |

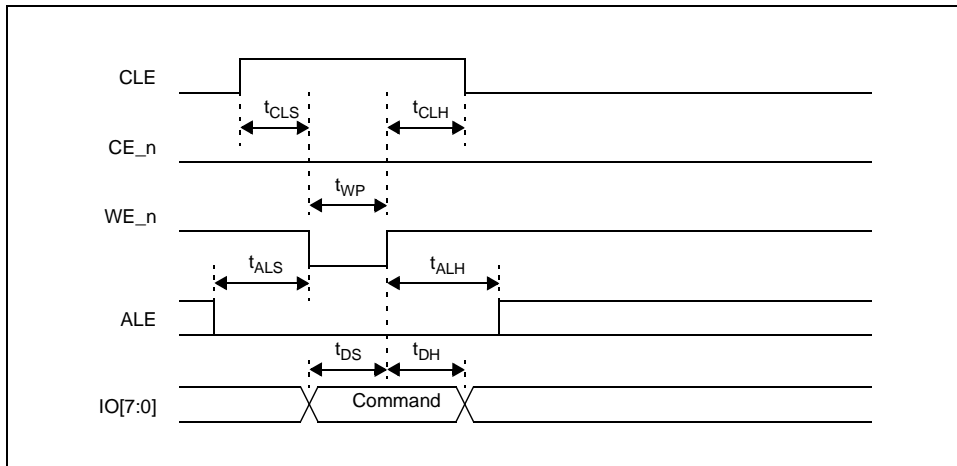
Note: 1 The SDRAM interface is designed to operate with SDRAM devices which are compliant with the Intel SDRAM Specification Revision 1.7 November 1999. Speed grades 66, 100 and 133MHz are compatible.

2 Above timing assumes 20pF load per pad.

## 4.4 NAND flash interface

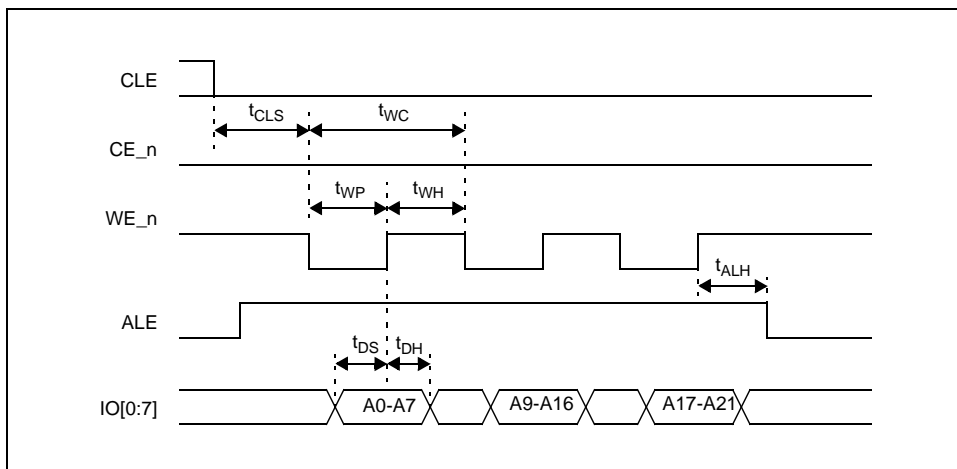
### 4.4.1 Command latch cycle for NAND flash interface

Figure 5: Command latch cycle



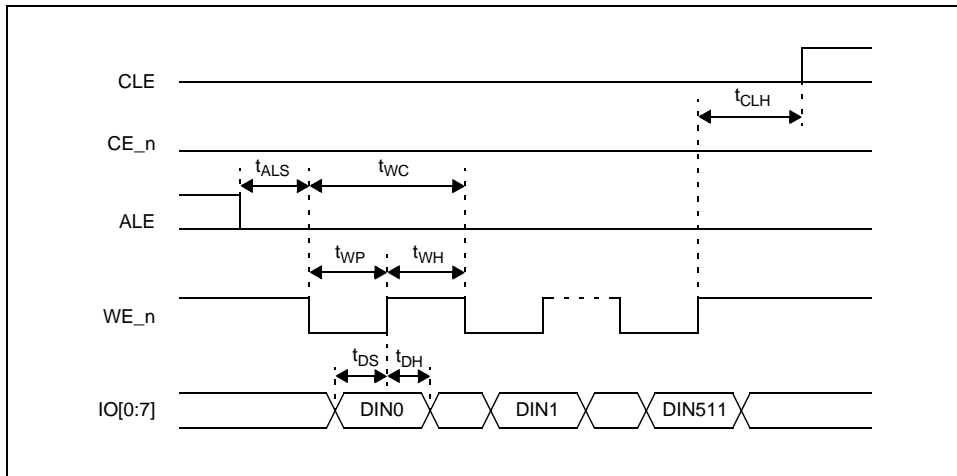
### 4.4.2 Address Latch Cycle for NAND Flash Interface

Figure 6: Address latch cycle



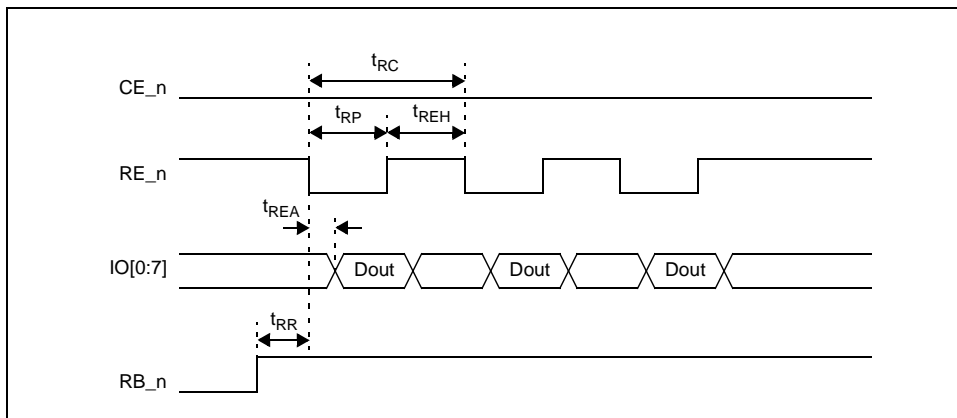
4.4.3 Input data latch cycles for NAND Flash interface

Figure 7: Input data latch cycle



4.4.4 Sequential output cycle after read for NAND Flash interface

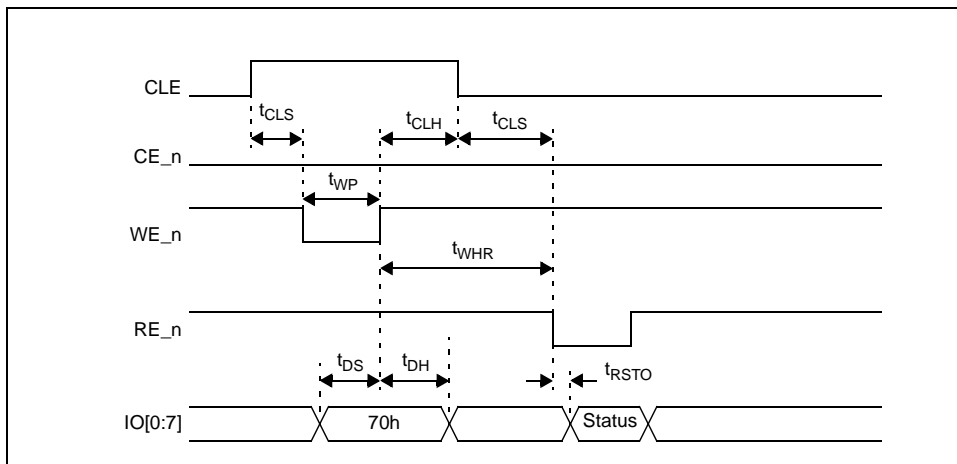
Figure 8: Sequential output cycle after read





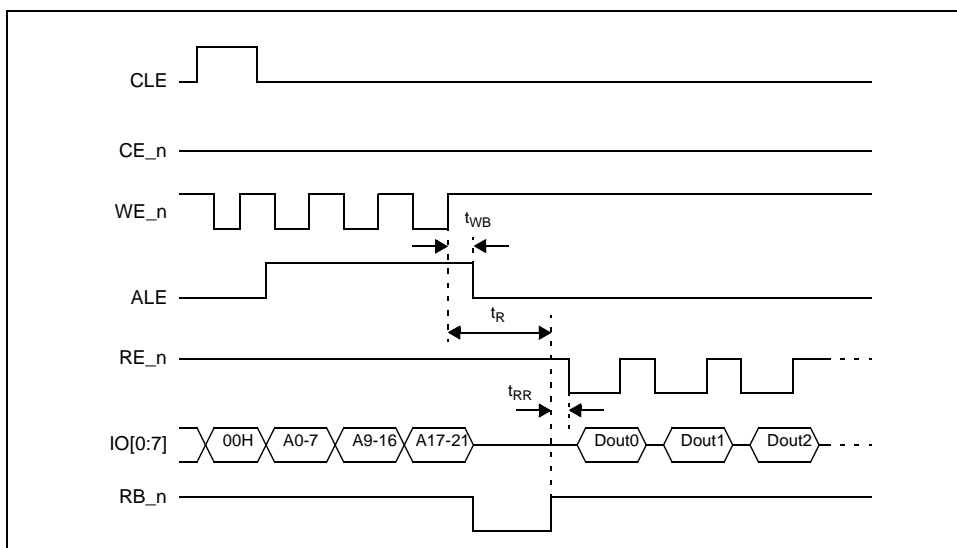
4.4.5 Status read cycle for NAND flash interface

Figure 9: Status read cycle



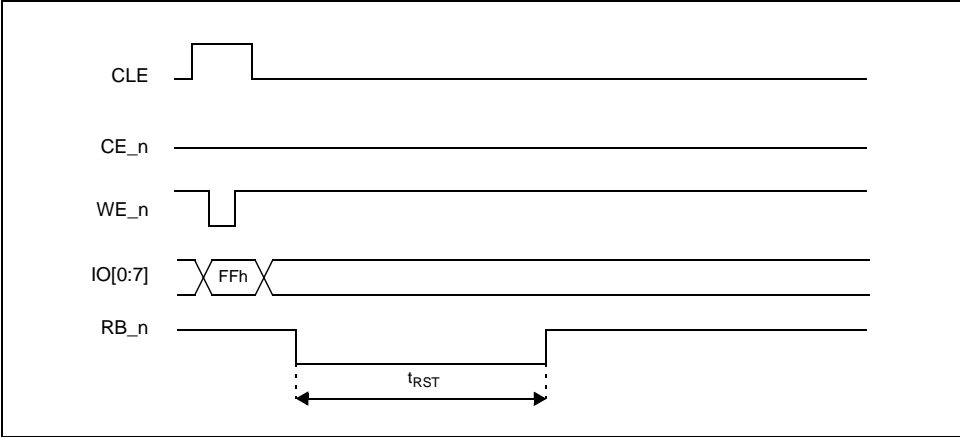
4.4.6 Read operation for NAND flash interface

Figure 10: Read operation



4.4.7 Reset operation for NAND flash interface

Figure 11: Reset operation



## 4.4.8 AC characteristics for operation

Table 3: AC characteristics

| Symbol           | Parameter                           | Min    | Typical | Max    | Unit |
|------------------|-------------------------------------|--------|---------|--------|------|
| t <sub>CLS</sub> | CLE set-up time                     | 61.36  | 62.4    |        | ns   |
| t <sub>CLH</sub> | CLE hold time                       | 83.2   |         |        | ns   |
| t <sub>WP</sub>  | WE-n pulse width                    | 83.2   |         |        | ns   |
| t <sub>ALS</sub> | ALE set-up time                     | 82.64  | 83.2    |        | ns   |
| t <sub>ALH</sub> | ALE hold time                       | 82.44  | 83.2    |        | ns   |
| t <sub>DS</sub>  | Data set-up time                    | 82.65  | 83.2    |        | ns   |
| t <sub>DH</sub>  | Data hold time                      | 61.85  | 62.4    |        | ns   |
| t <sub>WC</sub>  | Write cycle time                    | 145.09 | 145.6   |        | ns   |
| t <sub>WH</sub>  | WE_n high hold time                 | 61.89  | 62.4    |        | ns   |
| t <sub>RR</sub>  | Ready to RE_n low                   | 80.99  | 83.2    |        | ns   |
| t <sub>RP</sub>  | RE_n pulse width                    | 83.2   |         |        | ns   |
| t <sub>RC</sub>  | Read cycle time                     | 187.2  |         |        | ns   |
| t <sub>REA</sub> | RE_n access time                    |        | 35      | 43.2   | ns   |
| t <sub>REH</sub> | RE_n high hold time                 | 103.47 | 104     |        | ns   |
| t <sub>WHR</sub> | WE_n high to RE_n low               | 124.22 | 124.8   |        | ns   |
| t <sub>R</sub>   | Data transfer from cell to register |        |         | 25.015 | μs   |
| t <sub>WB</sub>  | WE_n high to busy                   |        | 41.6    | 215.28 | ns   |
| t <sub>RST</sub> | Device resetting (Read)             |        |         | 5.015  | μs   |

Note: 1 All parameters relating to the CE\_n signal are omitted as it is not enabled/disabled during execution of any NAND flash operation.

2 All timings are worst case.

3 Conforms to both Samsung and Toshiba specifications as outlined in datasheets

## 4.5 USB interface

### 4.5.1 AC electrical characteristics of USB transceiver

All measurements are fully electrically compliant to Chapter 7 (Electrical requirements) of revision 2 of the USB specification for full-speed devices (V1.1). The transceiver has been tested with external impedance-matching series resistors ( $27\ \Omega \pm 5\%$ ) between the pads and the USB cable.

Table 4: AC characteristics of USB transceiver

| Parameter                     | Description   | Min   | Typ. | Max   | Units      |
|-------------------------------|---|-------|------|-------|------------|
| <b>TRANSMIT /OUTPUT STAGE</b> |   |       |      |       |            |
| t <sub>lr</sub>               | fall time   | 4.45  | 5.82 | 7.31  | ns         |
| t <sub>lf</sub>               | rise time   | 4.55  | 5.77 | 6.81  | ns         |
| t <sub>lrfm</sub>             | rise and fall time matching   | 90    |      | 111   | %          |
| <b>SYSTEM</b>                 |   |       |      |       |            |
| R <sub>pu</sub>               | USB differential pad D <sub>p</sub> ,<br>D <sub>n</sub> pullup Resistor   | 1.425 |      | 1.575 | k $\Omega$ |
| R <sub>pd</sub>               | USB differential pad D <sub>p</sub> ,<br>D <sub>n</sub> pulldown Resistor | 14.25 |      | 15.75 | k $\Omega$ |

## 4.6 Audio

### 4.6.1 Audio ADC electrical parameters

Table 5: Audio/ADC electrical characteristics

| Symbol            | Parameter                | Test conditions  | Min. | Typ. | Max. | Unit       |
|-------------------|--------------------------|--|------|------|------|------------|
| Fclk              | Clock frequency          |  |      | 12   |      | MHz        |
| Dutymclk          | Clk duty cycle           |  | 40   |      | 60   | %          |
| Fs                | Sample frequency         |  | 8    |      | 48   | kHz        |
| Vbias             | Bias reference voltage   | Vbias / Vcc = 3V   |      | 1.5  |      | V          |
| Rbias             | Vbias impedance          | Vbias  |      | 5    |      | k $\Omega$ |
| RIN               | Input impedance          | IN+ / IN-  |      | 50   |      | k $\Omega$ |
| Cin               | Input capacitance        | IN+ / IN-  |      | 10   |      | pF         |
| Dyn In            | Input dynamic range      | ADC Out Full scale IN+ / IN- Gain 0dB (AGC off)                              |      | 1.5  |      | Vpp        |
| SNR*              | Signal / Noise ratio     | Sinewave @FS - 3dB<br>Gain 0dB   |      | 82   |      | dB         |
| Offset            | Offset error             | After automatic calibration  |      |      | 100  | LSB        |
| Harm <sup>a</sup> | Signal to peak harmonics | Sinewave @FS - 3dB<br>Gain 0dB   | 75   |      |      | dB         |
|                   |                          | Sinewave @FS - 3dB<br>Gain 24dB  | 50   |      |      | dB         |
| PSRR              | Power supply rejection   | Measured on ADC output with a 1kHz 100mVpp sinewave added to the 3.3V supply |      | 40   |      | LSBpp      |
| LFc               | Low cut-off frequency    | Gain 0dB   |      |      | 15   | Hz         |
| HFc               | High cut-off frequency   | ADC out  | 0.45 |      |      | Fs         |

a. Input sine wave 1kHz, Fmclk 11.289 MHz, BW = 10Hz-20 kHz, A-weighting filters, output 16 bits RAW PCM

### 4.6.2 Audio anti-aliasing filter characteristics

Table 6: Audio anti-aliasing filter characteristics

| Symbol     | Parameter                     | Test conditions          | Min.  | Typ. | Max. | Unit |
|------------|-------------------------------|--------------------------|-------|------|------|------|
| Fpassband  | Passband frequency            | Fs is sampling frequency | 0.45  |      |      | Fs   |
| Ripplepass | Passband ripple<br>0->0.376Fs |                          | -0.25 |      | 0.25 | dB   |
| Fstopband  | Stopband frequency            | Fs is sampling frequency |       |      | 0.6  | Fs   |

## 4.7 SFP AC parameters

Each SFP is a TTL schmitt trigger bidirectional pad Buffer, 3v3 capable with 2mA drive capability and Slew-rate Control. The 3.3V IOs comply to the EIA/JEDEC standard JESD8-B. For sake of convenience the most important parameters for measurement have been extracted and presented below.

Table 7: SFP AC parameters

| Symbol    | Description  | Min. | Typ. | Max. | Unit |
|-----------|--|------|------|------|------|
| Slew_rise | 0.3Vcc to 0.6Vcc, CL = 10pF, balanced RL = 1KR to Vdd with RL = 1KR to Vss | 1.63 | 1.83 | 1.97 | V/ns |
| Slew_fall | 0.3Vcc to 0.6Vcc, CL = 10pF, balanced RL = 1KR to Vdd with RL = 1KR to Vss | 2.05 | 2.32 | 2.62 | V/ns |

## 4.8 Sensor interface

Figure 12: Sensor interface timing

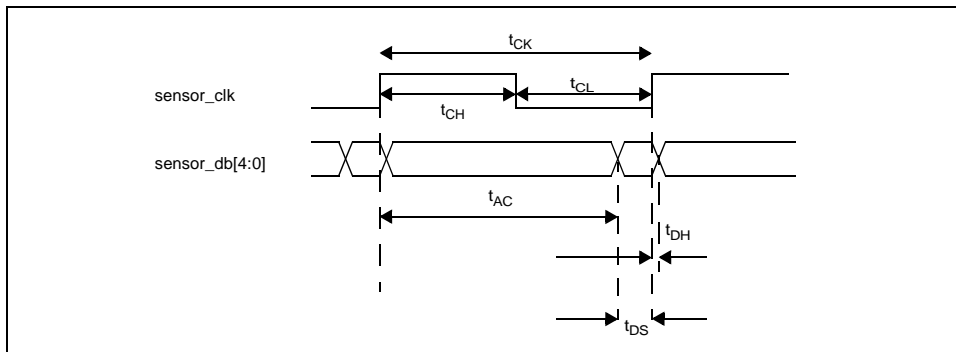


Table 8: Sensor interface timing

| Symbol   | Min.   | Typ. | Max.  | Unit     |
|----------|--------|------|-------|----------|
| $t_{CK}$ | 0.1875 |      | 24    | MHz      |
| $t_{CH}$ | 40.02  |      |       | $t_{CK}$ |
| $t_{CL}$ | 40.02  |      |       | $t_{CK}$ |
| $t_{DS}$ | 7.71   |      |       | ns       |
| $t_{DH}$ | 0      |      |       | ns       |
| $t_{AC}$ |        |      | 32.39 | ns       |

Note: 1 The above timings assume that the sensor\_clk load is 20pF.

2 The sensor data setup and hold times are requirements of the STV0674.

3  $t_{AC}$  represents the maximum allowed clock to data delay from STV0674 sensor\_clk pad to the STV0674 sensor data pads. (i.e. STV0674 pad to sensor PCB delay + sensor clock to data delay + sensor data pad to STV0674 pad PCB delay).

## 4.9 Device current consumption in run and suspend modes

The STV0674 power consumption has been estimated based on a webcam configuration. In this way, the analysis can specifically consider the device's intrinsic power consumption rather than that associated with other system-level components. As STV0674 typically ends up in very low USB or battery powered applications, it is important device power consumption is measured in three different operating modes representing typical operating conditions in the real application.

These three modes shall be referred to as low power mode, high power mode and suspend mode.

Suspend mode is the lowest power mode of the device. For the core current, it can be effectively equated to 'static' power consumption. In this mode, all embedded clocks are stopped and all embedded logic blocks, macros, IP, etc. are reset into their low power modes. The XTAL oscillator pads (providing main clock source to entire STV0674) are also stopped. The name 'Suspend' mode historically comes from the device's requirement to comply with USB 'suspend' mode where the total current drawn from the host PC by the USB peripheral is not allowed to exceed 500  $\mu$ A.

In low power mode, the embedded VP and VC module clocks are disabled and held in reset. The VP and VC are the two most power-hungry modules in the STV0674. A limited number of modules are enabled in this mode to allow USB enumeration, system-level self-configuration or camera user-interface functions. Such modules include the embedded microcontroller, USB core, memory sub-systems and SFP core.

In high power mode, the VP and VC module clocks is enabled and are brought out of reset. This is more typical of the real device application in that video data is being generated and processed. In measured cases the VP and VC are set up to their fastest (worst-case power) modes of operation processing VGA source data from the sensor at full 30 frames-per-second.

*Note: The baseline device power model presented here can be extended to cover other system-level configurations. In such cases the core  $I_{DD}$  will remain as measured here (30fps/VGA) but the i/o  $I_{DD}$  is more likely to vary depending for example on which memory type (sdram/nand) is being used. The power associated with each pin can be calculated based on its frequency (MHz), capacitive (C) and resistive (R) loading.*

## 5 Pinout and Pin Description

### 5.1 Device pinout

Figure 13: STV0674 pinout in 100TQFP

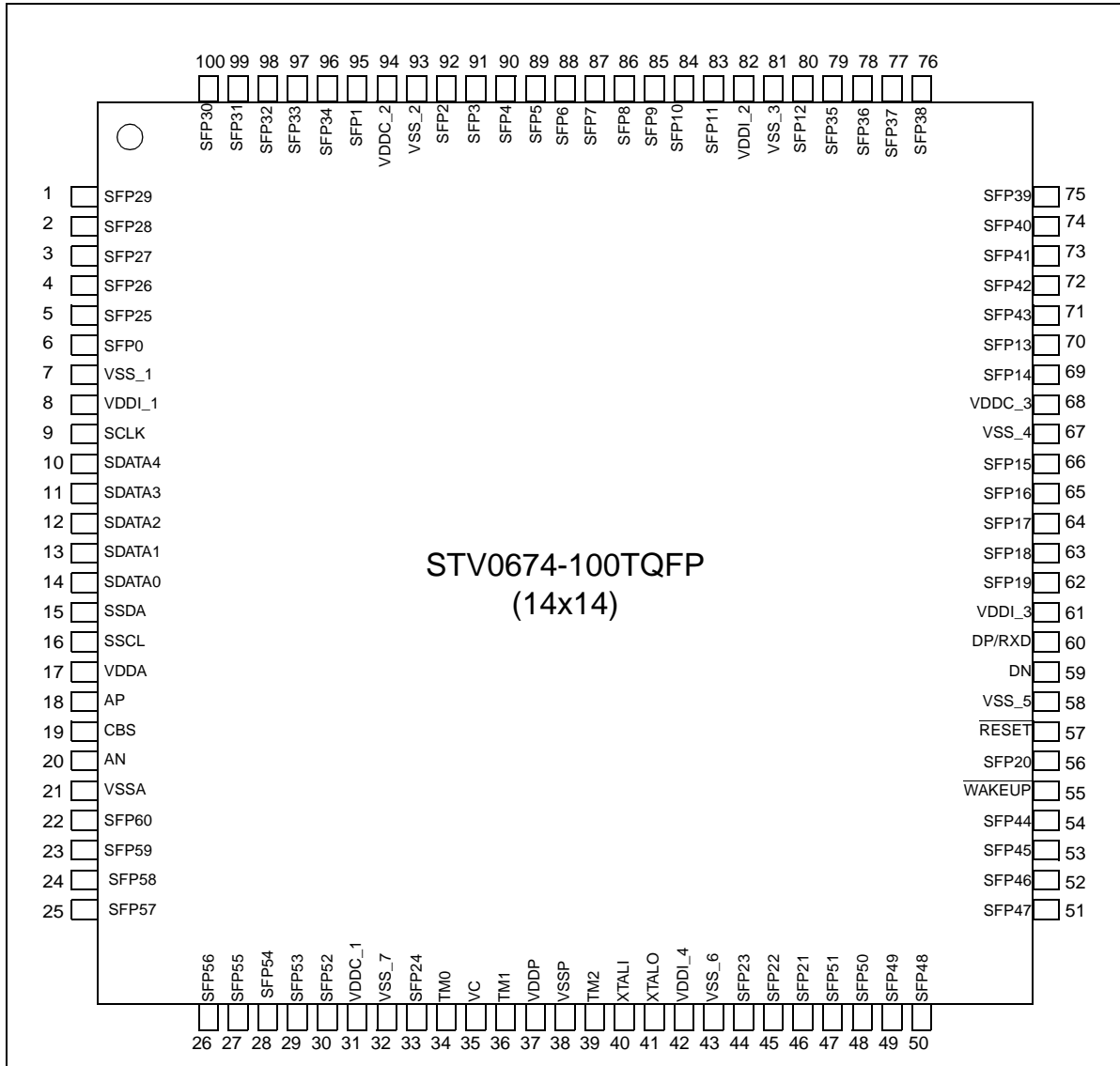
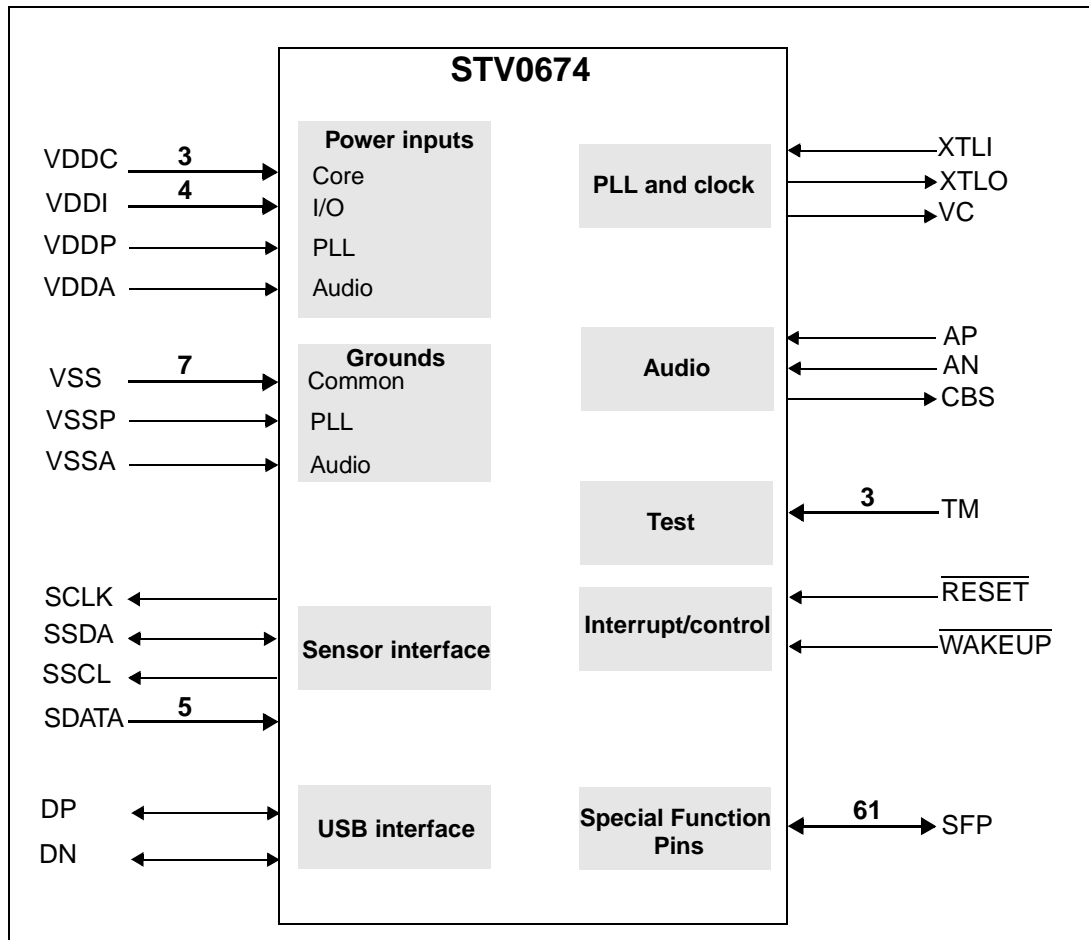




Figure 14: Signals identified by functional group



## 5.2 Pin description

Table 9: 100TQFP pin description

| Pin                                | Pin name  | Type | Description   |
|------------------------------------|---|------|---|
| <b>CLOCKS AND RESETS</b>           |   |      |   |
| 40, 41                             | XTLI, XTLO                                      | OSC  | Crystal oscillator pad pair, see <a href="#">Figure 16</a>          |
| 57                                 | RESET   | I S  | Reset input (Schmitt input level, active low)                       |
| <b>POWER SUPPLIES</b>              |   |      |   |
| 31, 94, 68                         | VDDC_1, VDDC_2, VDDC_3                          | PWR  | Core power supply - 1V8   |
| 8, 82, 61, 42                      | VDDI_1, VDDI_2, VDDI_3, VDDI4                   | PWR  | I/O power supply - 3v3  |
| 7, 93, 81, 67, 58, 43, 32          | VSS_1, VSS_2, VSS_3, VSS_4, VSS_5, VSS_6, VSS_7 | GND  | Common ground.  |
| <b>PLL POWER AND FILTER PINS</b>   |   |      |   |
| 37                                 | VDDP  | PWR  | Master and audio PLL supplies - 1V8                                 |
| 38                                 | VSSP  | GND  | Master and audio PLL supplies - 0V                                  |
| 35                                 | VC  | ANA  | Audio PLL filter, see <a href="#">Figure 17</a>                     |
| <b>AUDIO FRONT-END (ADC) POWER</b> |   |      |   |
| 17                                 | VDDA  | PWR  | Audio front end supply - 3v3  |
| 21                                 | VSSA  | GND  | Audio front-end supply - 0v   |
| <b>SENSOR INTERFACE</b>            |   |      |   |
| 9                                  | SCLK  | O    | Camera clock (2mA CMOS)   |
| 10, 11, 12, 13, 14                 | SDATA[4:0]                                      | I    | 5-bit sensor video data   |
| 15                                 | SSDA  | I/O  | Sensor I <sup>2</sup> C data (Schmitt input level)                  |
| 16                                 | SSCL  | O    | Sensor I <sup>2</sup> C clock                                       |
| <b>USB INTERFACES</b>              |   |      |   |
| 60                                 | DP  | I/O  | USB differential D+   |
| 59                                 | DN  | I/O  | USB differential D-   |
| <b>TEST PINS</b>                   |   |      |   |
| 39, 36, 34                         | TM[2:0]   | I    | Test mode pins - Must be pulled high                                |
| <b>USER BUTTON INPUTS/WAKEUP</b>   |   |      |   |
| 55                                 | WAKEUP  | I    | Could be used as “wake-up” button on SDRAM camera while untethered. |

Table 9: 100TQFP pin description

| Pin   | Pin name   | Type | Description  |
|---|------------|------|--|
| <b>AUDIO FRONT-END INPUT, AND BIAS PINS</b> |            |      |  |
| 18  | AP         | ANA  | VIN+   |
| 20  | AN         | ANA  | VIN-   |
| 19  | CBS        | ANA  | VBIAS, see <a href="#">Figure 17</a>                 |
| <b>SPECIAL FUNCTION PINS</b>                |            |      |  |
| 87, 88, 89,<br>90, 91, 92,<br>95,6          | SFP[7:0]   | SFP  | Special function pin operation is firmware specific. |
| 66, 69, 70,<br>80, 83, 84,<br>85,86         | SFP[15:8]  | SFP  | Special function pin operation is firmware specific. |
| 44, 45, 46,<br>56, 62, 63,<br>64, 65        | SFP[23:16] | SFP  | Special function pin operation is firmware specific. |
| 99, 100, 1, 2,<br>3, 4, 5, 33               | SFP[31:24] | SFP  | Special function pin operation is firmware specific. |
| 75, 76, 77,<br>78,79, 96,<br>97, 98         | SFP[39:32] | SFP  | Special function pin operation is firmware specific. |
| 51, 52, 53,<br>54, 71, 72,<br>73, 74        | SFP[47:40] | SFP  | Special function pin operation is firmware specific. |
| 27, 28, 29,<br>30, 47, 48,<br>49, 50        | SFP[55:48] | SFP  | Special function pin operation is firmware specific  |
| 22, 23, 24,<br>25, 26,                      | SFP[60:56] | SFP  | Special function pin operation is firmware specific. |

Table 10: Hardware specific - Special function pins

| SPECIAL FUNCTION PINS <sup>a</sup> |          |          |           |       |                              |   |
|------------------------------------|----------|----------|-----------|-------|------------------------------|---|
| Pin                                | Pin Name | SDRAM x8 | SDRAM x16 | FLASH | Other                        | Description                                     |
| 6                                  | SFP[0]   |          |           |       | PWM0/<br>TQFP_SEL            | Audio Playback output <sup>b</sup>              |
| 95                                 | SFP[1]   |          |           |       |                              | GPIO  |
| 92                                 | SFP[2]   |          |           |       |                              | GPIO  |
| 91                                 | SFP[3]   |          |           |       | $\overline{\text{CS\_NAND}}$ | NAND/SMC detect <sup>c</sup>                    |
| 90                                 | SFP[4]   |          |           |       |                              | GPIO  |
| 89                                 | SFP[5]   |          |           |       |                              | GPIO  |
| 88                                 | SFP[6]   |          |           |       |                              | GPIO  |
| 87                                 | SFP[7]   |          |           |       |                              | GPIO  |
| 86                                 | SFP[8]   |          |           |       |                              | GPIO  |
| 85                                 | SFP[9]   |          |           |       | SHUTTER                      | GPIO <sup>d</sup>                               |
| 84                                 | SFP[10]  |          |           |       |                              | GPIO  |
| 83                                 | SFP[11]  |          |           |       |                              | GPIO  |
| 80                                 | SFP[12]  |          |           |       |                              | GPIO  |
| 70                                 | SFP[13]  |          |           |       |                              | GPIO  |
| 69                                 | SFP[14]  |          |           |       | POWER_ON                     | Output reserved for power latching <sup>e</sup> |
| 66                                 | SFP[15]  |          |           |       |                              | GPIO  |
| 65                                 | SFP[16]  |          |           |       | $\overline{\text{CS\_SMC}}$  | Chip select for SMC <sup>f</sup>                |
| 64                                 | SFP[17]  |          |           |       |                              | GPIO  |
| 63                                 | SFP[18]  |          |           |       |                              | GPIO  |
| 62                                 | SFP[19]  |          |           |       |                              | GPIO  |
| 56                                 | SFP[20]  |          |           |       |                              | GPIO  |
| 46                                 | SFP[21]  |          |           |       |                              | GPIO  |
| 45                                 | SFP[22]  |          |           |       |                              |   |
| 44                                 | SFP[23]  |          | DQ1       |       |                              | GPIO /SDRAMx16                                  |
| 33                                 | SFP[24]  |          | DQ3       |       |                              | GPIO /SDRAMx16                                  |
| 5                                  | SFP[25]  |          | DQ5       | IO0   |                              | GPIO /NAND FLASH /SDRAMx16                      |
| 4                                  | SFP[26]  |          | DQ7       | IO1   |                              | GPIO /NAND FLASH /SDRAMx16                      |
| 3                                  | SFP[27]  |          | DQ8       | IO2   |                              | GPIO /NAND FLASH /SDRAMx16                      |
| 2                                  | SFP[28]  |          | DQ10      | IO3   |                              | GPIO /NAND FLASH /SDRAMx16                      |
| 1                                  | SFP[29]  |          | DQ12      | IO4   |                              | GPIO /NAND FLASH /SDRAMx16                      |
| 100                                | SFP[30]  |          | DQ14      | IO5   |                              | GPIO /NAND FLASH /SDRAMx16                      |
| 99                                 | SFP[31]  |          | DQML      | IO6   |                              | GPIO /NAND FLASH /SDRAMx16                      |

Table 10: Hardware specific - Special function pins

| SPECIAL FUNCTION PINS <sup>a</sup> |          |                  |                  |                 |       |  |
|------------------------------------|----------|------------------|------------------|-----------------|-------|--|
| Pin                                | Pin Name | SDRAM x8         | SDRAM x16        | FLASH           | Other | Description  |
| 98                                 | SFP[32]  | DQ0              | DQ0              | IO7             |       | GPIO /NAND FLASH /SDRAMx16 / SDRAMx8                           |
| 97                                 | SFP[33]  | DQ1              | DQ2              |                 |       | GPIO /SDRAMx16 /SDRAMx8  |
| 96                                 | SFP[34]  | DQ2              | DQ4              |                 |       | GPIO /SDRAMx16 /SDRAMx8  |
| 79                                 | SFP[35]  | DQ3              | DQ6              | $\overline{WE}$ |       | GPIO /NAND FLASH /SDRAMx16 / SDRAMx8                           |
| 78                                 | SFP[36]  | DQ4              | DQ9              | ALE             |       | GPIO /NAND FLASH /SDRAMx16 / SDRAMx8                           |
| 77                                 | SFP[37]  | DQ5              | DQ11             | CLE             |       | GPIO /NAND FLASH /SDRAMx16 / SDRAMx8                           |
| 76                                 | SFP[38]  | DQ6              | DQ13             | $\overline{RB}$ |       | GPIO /NAND FLASH /SDRAMx16 / SDRAMx8 (open drain) <sup>g</sup> |
| 75                                 | SFP[39]  | DQ7              | DQ15             | $\overline{RE}$ |       | GPIO /NAND FLASH /SDRAMx16 / SDRAMx8                           |
| 74                                 | SFP[40]  | A0               | A0               |                 |       | GPIO /SDRAMx16 /SDRAMx8  |
| 73                                 | SFP[41]  | A1               | A1               |                 |       | GPIO /SDRAMx16 /SDRAMx8  |
| 72                                 | SFP[42]  | A2               | A2               |                 |       | GPIO /SDRAMx16 /SDRAMx8  |
| 71                                 | SFP[43]  | A3               | A3               |                 |       | GPIO /SDRAMx16 /SDRAMx8  |
| 54                                 | SFP[44]  | A4               | A4               |                 |       | GPIO /SDRAMx16 /SDRAMx8  |
| 53                                 | SFP[45]  | A5               | A5               |                 |       | GPIO /SDRAMx16 /SDRAMx8  |
| 52                                 | SFP[46]  | A6               | A6               |                 |       | GPIO /SDRAMx16 /SDRAMx8  |
| 51                                 | SFP[47]  | A7               | A7               |                 |       | GPIO /SDRAMx16 /SDRAMx8  |
| 50                                 | SFP[48]  | A8               | A8               |                 |       | GPIO /SDRAMx16 /SDRAMx8  |
| 49                                 | SFP[49]  | A9               | A9               |                 |       | GPIO /SDRAMx16 /SDRAMx8  |
| 48                                 | SFP[50]  | A10              | A10              |                 |       | GPIO /SDRAMx16 /SDRAMx8  |
| 47                                 | SFP[51]  | A11              | A11              |                 |       | GPIO /SDRAMx16 /SDRAMx8  |
| 30                                 | SFP[52]  | A12              | A12              |                 |       | GPIO /SDRAMx16 /SDRAMx8  |
| 29                                 | SFP[53]  | A13              | A13              |                 |       | GPIO /SDRAMx16 /SDRAMx8  |
| 28                                 | SFP[54]  | CLK              | CLK              |                 |       | GPIO /SDRAMx16 /SDRAMx8  |
| 27                                 | SFP[55]  | CKE              | CKE              |                 |       | GPIO /SDRAMx16 /SDRAMx8  |
| 26                                 | SFP[56]  | DQM              | DQMH             |                 |       | GPIO /SDRAMx16 /SDRAMx8  |
| 25                                 | SFP[57]  | $\overline{RAS}$ | $\overline{RAS}$ |                 |       | GPIO /SDRAMx16 /SDRAMx8  |
| 24                                 | SFP[58]  | $\overline{CAS}$ | $\overline{CAS}$ |                 |       | GPIO /SDRAMx16 /SDRAMx8  |
| 23                                 | SFP[59]  | $\overline{WE}$  | $\overline{WE}$  |                 |       | GPIO /SDRAMx16 /SDRAMx8  |
| 22                                 | SFP[60]  | $\overline{CS}$  | $\overline{CS}$  |                 |       | SDRAM detect and Chip Select for SDRAM <sup>h</sup>            |

- a. SFP 0-22 default to inputs on reset and in low power states. SFP 0-22 should therefore not be left floating and must be configured by external circuit. See [Section 5.2.1](#) for state of SFP 23-60
- b. Pull Up required. See [Section 5.2.1](#).
- c. SFP 3> Pull Up if NAND or SMC present /Down if not, See [Section 5.2.1](#).
- d. SFP 9> Pull down required if pin not used, must be held low at power on.
- e. SFP 14> Pull down required for power latching otherwise pull up required.
- f. SFP 16> Pull Up required, if SMC present. (SFP 3 must also be pulled up)
- g. SFP 38> Pull resistor required if NAND present, value 10kΩ.
- h. SFP 60> Pull Up if SDRAM present /Down if not, See [Section 5.2.1](#)

### 5.2.1 Power on/ low power default pin states

The initial state of SFP pins varies depending on the power on state of the NAND flash / SMC detect pin, SDRAM detect pin and package detect pin. The default pin states are detailed in [Table 11](#).

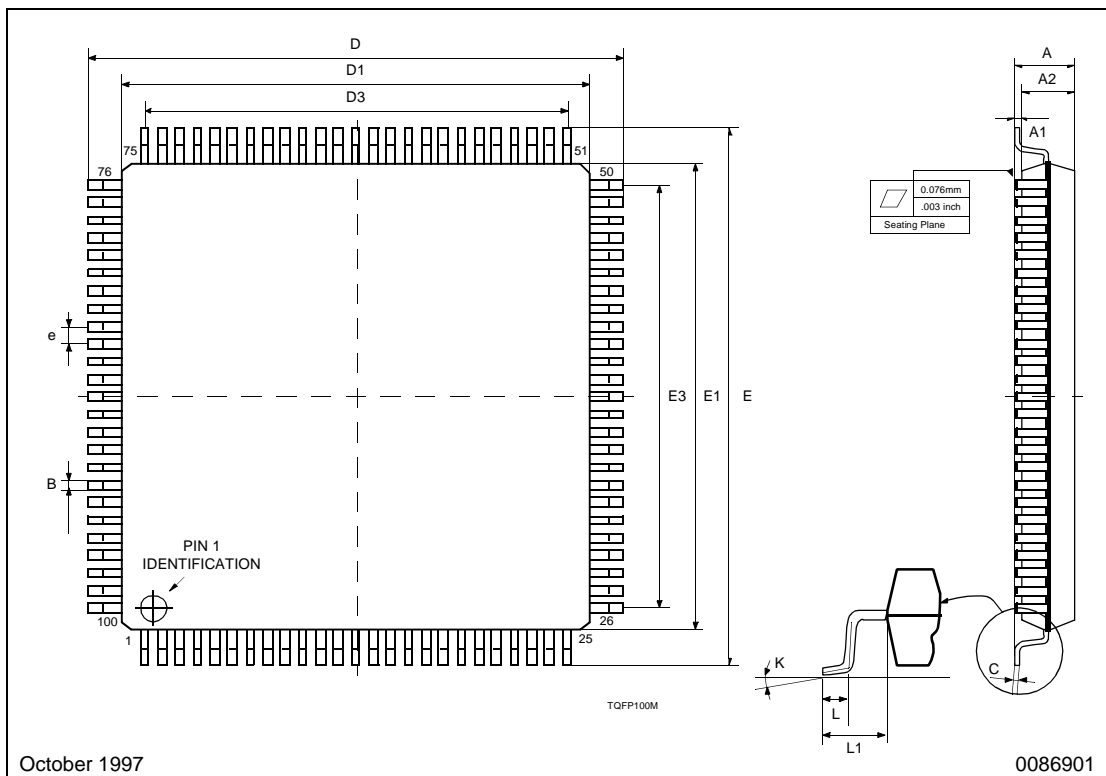
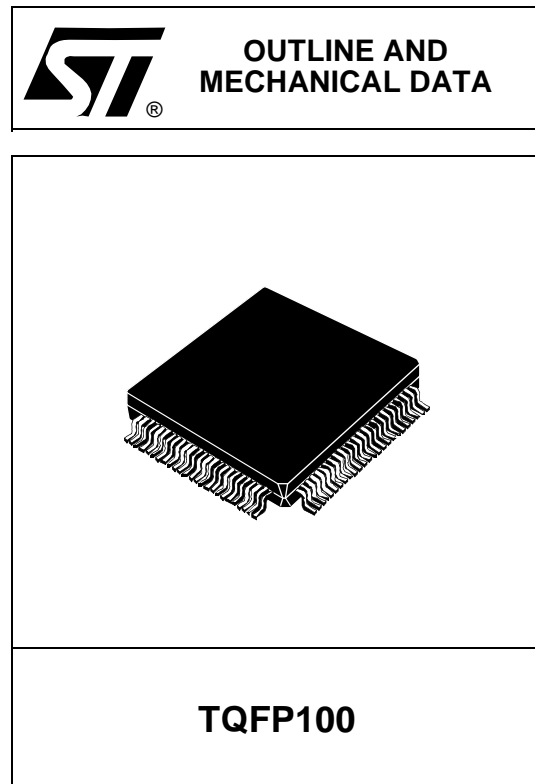
**Table 11: Power-on/low-power default pin states**

| Pin state at power on |         |          | Initial state       |                              |         |
|-----------------------|---------|----------|---------------------|------------------------------|---------|
| TQFP_SEL              | CS_NAND | CS_SDRAM | Flash Port          | Non-Flash SDRAM              | GPIO    |
| SFP0                  | SFP3    | SFP60    | SFP 25-32,<br>35-39 | SFP 23, 24, 33,<br>34, 40-60 | SFP0-22 |
| 0                     | X       | X        | Reserved            |                              |         |
| 1                     | 1       | 0        | Ouput               | Input                        | Input   |
| 1                     | X       | 1        | Output              | Output                       | Input   |
| 1                     | 0       | 0        | Input               | Input                        | Input   |

### 5.3 Package outline and mechanical data

Figure 15: 100TQFP package outline and mechanical data

| DIM. | mm                   |       |      | inch  |        |       |
|------|----------------------|-------|------|-------|--------|-------|
|      | MIN.                 | TYP.  | MAX. | MIN.  | TYP.   | MAX.  |
| A    |                      |       | 1.60 |       |        | 0.063 |
| A1   | 0.05                 |       | 0.15 | 0.002 |        | 0.006 |
| A2   | 1.35                 | 1.40  | 1.45 | 0.053 | 0.055  | 0.057 |
| B    | 0.17                 | 0.22  | 0.27 | 0.007 | 0.009  | 0.011 |
| C    | 0.09                 |       | 0.20 | 0.003 |        | 0.008 |
| D    |                      | 16.00 |      |       | 0.630  |       |
| D1   |                      | 14.00 |      |       | 0.551  |       |
| D3   |                      | 12.00 |      |       | 0.472  |       |
| e    |                      | 0.50  |      |       | 0.019  |       |
| E    |                      | 16.00 |      |       | 0.630  |       |
| E1   |                      | 14.00 |      |       | 0.551  |       |
| E3   |                      | 12.00 |      |       | 0.472  |       |
| L    | 0.45                 | 0.60  | 0.75 | 0.018 | 0.024  | 0.030 |
| L1   |                      | 1.00  |      |       | 0.0393 |       |
| K    | 3.5°(min.), 7°(max.) |       |      |       |        |       |



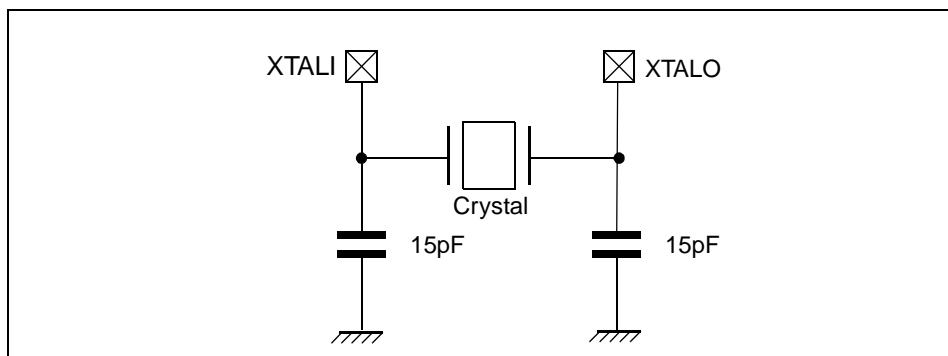
## 5.4 External circuits

### 5.4.1 Crystal oscillator

There are 2 crystal oscillator pins XTAL\_IN, XTAL\_OUT, as shown in [Figure 16](#). The oscillator cell architecture is a single stage oscillator with an inverter working as an amplifier. The oscillator stage is biased by an internal resistor ( $>1\text{M}\Omega$ ). It also requires an external PI network consisting of a crystal and two capacitors.

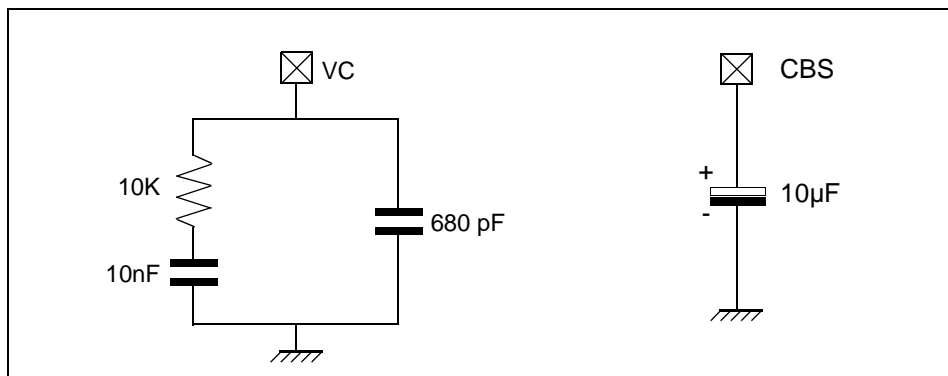
*Note:* The clock accuracy of the oscillator circuit must be within the USB compliance data signaling rate tolerance of  $12.000\text{Mb/s} \pm 0.25\%$ .

Figure 16: Oscillator support circuit



### 5.4.2 Audio

Figure 17: Audio PLL filter and CBS



If the record audio section of the STV0674 is not required, AP, CBS, VC and AN can be left unconnected. VDDA must however be connected to a 3V3 supply.

### 5.4.3 Recommended power supply decoupling

A  $0.1\mu\text{F}$  bypass capacitor located as close as possible to the chip package connecting between all VDD pins and GND and at least one bulk decoupling capacitor on each of the supply rails VDDA, VDDC, VDDI and VDDP.



## 6 Evaluation Kit and Reference Design Manuals

### 6.1 Evaluation kit

STMicroelectronics recommends the use of their evaluation kit (EVK) for initial evaluation and design-in. The kit contains all the hardware functionality required to implement a webcam, dual mode and tri mode camera and is populated with SDRAM, NAND FLASH as well as a Smartmedia connector.

The EVK content is the following:

- STV0674 Evaluation board with both CIF and VGA sensor plug-in
- USB cable
- PC software
- User manual

### 6.2 Reference design manuals

The STMicroelectronics STV0674 reference design manuals include complete schematics, BOM and design recommendations. For products based on the STV0674, STMicroelectronics recommends that all designers refer to the reference design manuals before starting a new design. Please contact STMicroelectronics for more details.

## 7 Ordering Details

Table 12 : Ordering details

| Part number                 | Description                                  |
|-----------------------------|--|
| <b>Device</b>               |  |
| STV0674T100                 | Digital video co-processor (100TQFP package) |
| <b>Evaluation Kit (EVK)</b> |  |
| STV-674/100T-E01            | 100TQFP STV0674 + CIF and VGA sensors        |

### Technical support

Technical support information, such as datasheets, software downloads, etc. can be found at <http://www.st.com> under “Imaging Products”.

Information furnished is believed to be accurate and reliable. However, STMicroelectronics assumes no responsibility for the consequences of use of such information nor for any infringement of patents or other rights of third parties which may result from its use. No license is granted by implication or otherwise under any patent or patent rights of STMicroelectronics. Specifications mentioned in this publication are subject to change without notice. This publication supersedes and replaces all information previously supplied. STMicroelectronics products are not authorized for use as critical components in life support devices or systems without express written approval of STMicroelectronics.

The ST logo is a registered trademark of STMicroelectronics

© 2003 STMicroelectronics - All Rights Reserved

STMicroelectronics GROUP OF COMPANIES

Australia - Brazil - China - Finland - France - Germany - Hong Kong - India - Italy - Japan  
Malaysia - Malta - Morocco - Singapore - Spain - Sweden - Switzerland - United Kingdom - U.S.A.

[www.st.com](http://www.st.com)